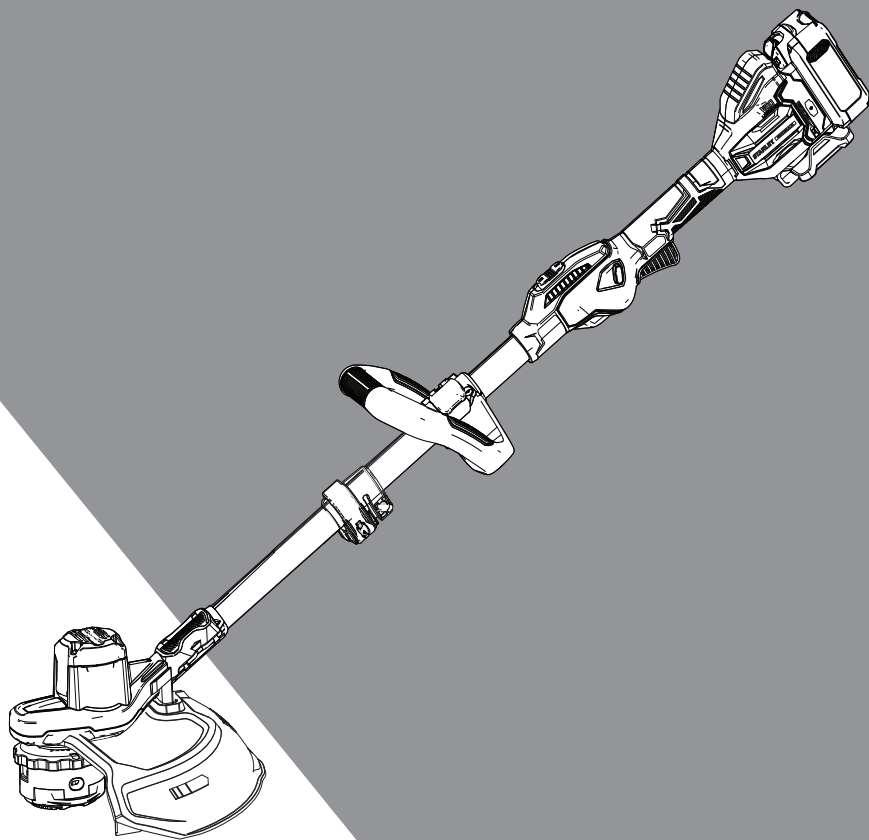


STANLEY®

FATMAX®

V20

LITHIUM ION



www.stanleytools.eu

SFMCSTB933

English (original instructions)	4
--	---

Русский (<i>перевод с оригинала инструкции</i>)	14
---	----

Українська (<i>переклад з оригінальної інструкції</i>)	29
--	----

Fig. A

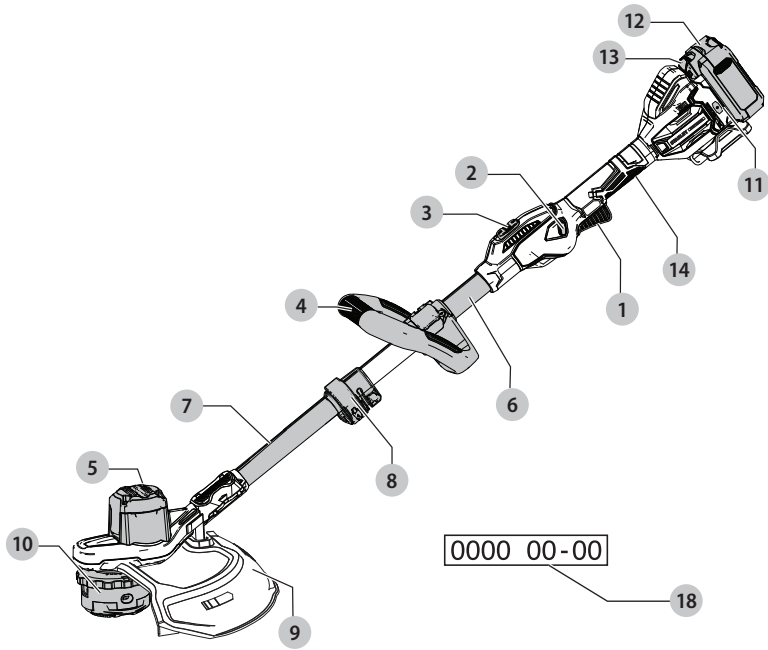


Fig. B

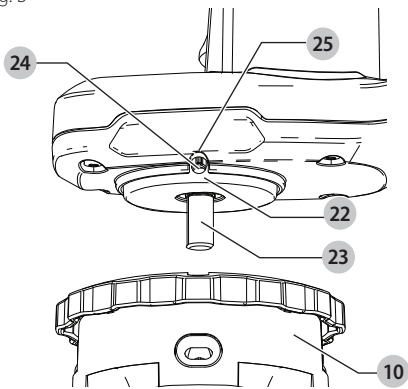


Fig. C

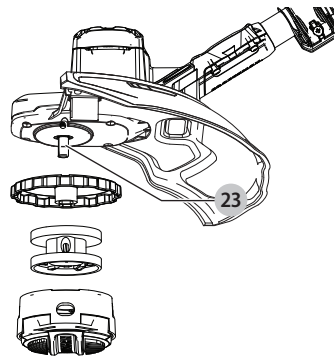


Fig. D

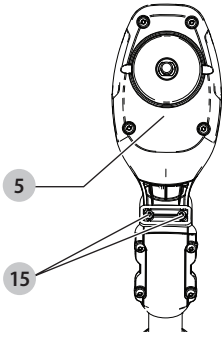


Fig. E

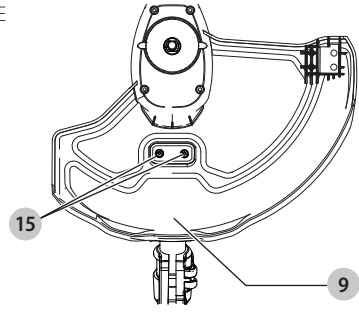


Fig. F

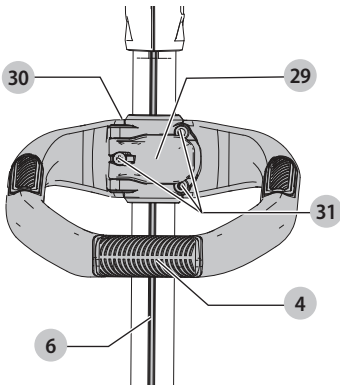


Fig. G

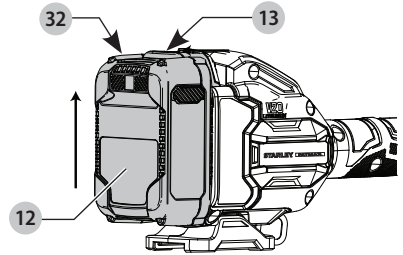


Fig. H

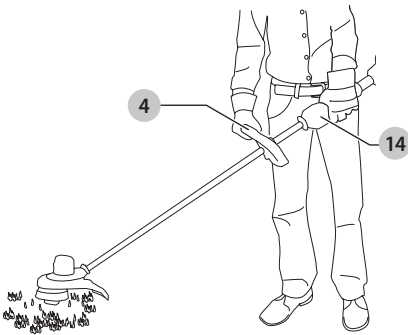


Fig. I

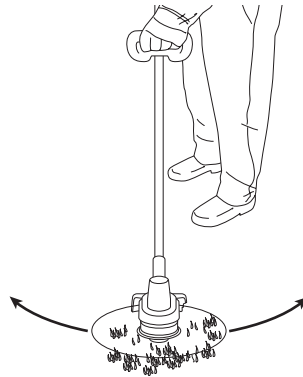


Fig. J

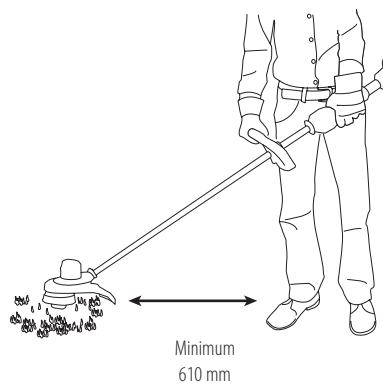


Fig. K

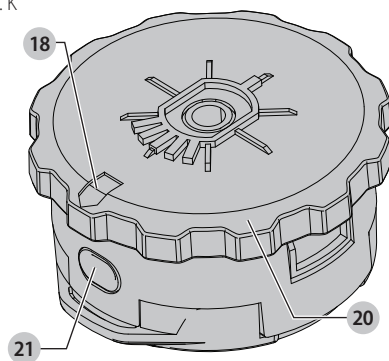


Fig. L

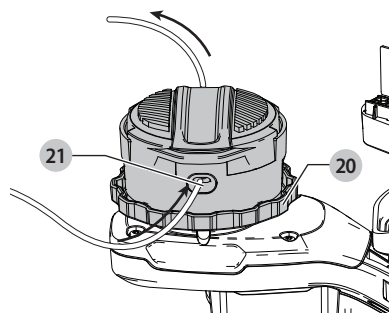


Fig. M

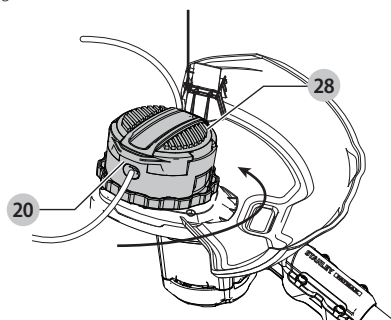
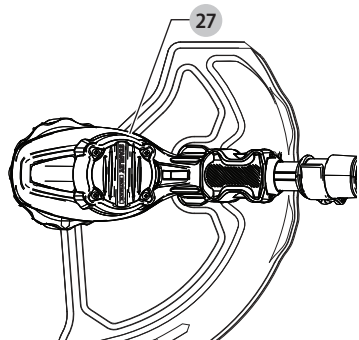


Fig. N



BRUSHLESS GRASS TRIMMER

SFMCSTB933

Congratulations!

You have chosen a STANLEY FATMAX tool. Years of experience, thorough product development and innovation make STANLEY FATMAX one of the most reliable partners for professional power tool users.

Technical Data

		SFMCSTB933
Voltage	V _{DC}	18V
UK & Ireland	V _{DC}	18V
Type		1
RPM	/min	4600-6000
Cutting Swath Size	mm	330
Weight (without battery pack)	kg	3.1
Noise values and vibration values (tri-ax vector sum). Grass Trimmer mode according to EN50636-2-91:		
L _{PA} (emission sound pressure level)	dB(A)	79.5
L _{WA} (sound power level)	dB(A)	93.0
K (uncertainty for the given sound level)	dB(A)	1.5
Vibration emission value a _H =		2.8
Uncertainty K =	m/s ²	1.5

The vibration emission level given in this information sheet has been measured in accordance with a standardised test given in EN50636 and may be used to compare one tool with another. It may be used for a preliminary assessment of exposure.

⚠ WARNING: *The declared vibration emission level represents the main applications of the tool. However if the tool is used for different applications, with different accessories or poorly maintained, the vibration emission may differ. This may significantly increase the exposure level over the total working period.*
An estimation of the level of exposure to vibration should also take into account the times when the tool is switched off or when it is running but not actually doing the job.
This may significantly reduce the exposure level over the total working period.
Identify additional safety measures to protect the operator from the effects of vibration such as: maintain the tool and the accessories, keep the hands warm, organisation of work patterns.

Battery Cat #	Output Voltage	Charger SFMCB12
SFMCB202	18	X
SFMCB204	18	X
SFMCB206	18	X

"X" Indicates that the battery pack is compatible with that specific charger. Read the instruction manual for more specific information.

EC-Declaration of Conformity

Machinery Directive



Brushless Grass Trimmer SFMCSTB933

STANLEY FATMAX declares that these products described under **Technical Data** are in compliance with:

2006/42/EC, EN60335-1:2012 + A11:2014, EN50636-2-91:2014.

2000/14/EC, Lawn Trimmer, L ≤ 50 cm, Annex VI

DEKRA Certification B.V.

Meander 1051 / P.O. box 5185

6525 MJ ARNHEM / 6802 ED

ARNHEM, Netherlands

Notified Body ID No.: 0344

Level of acoustic power according to 2000/14/EC
(Article 12, Annex III, L ≤ 50 cm):

L_{TPA} (measured sound pressure level) 79.5 dB(A)
uncertainty (K) = 1.5 dB (A)

L_{WA} (guaranteed sound power) 96 dB(A)

These products also comply with Directive 2014/30/EU and 2011/65/EU. For more information, please contact STANLEY FATMAX at the following address or refer to the back of the manual.

The undersigned is responsible for compilation of the technical file and makes this declaration on behalf of STANLEY FATMAX.

A. P. Smith

Technical Director

STANLEY FATMAX Europe, Egide Walschaertsstraat14-18,

2800 Mechelen, Belgium


2019-10-09





WARNING: *To reduce the risk of injury, read the instruction manual.*

Definitions: Safety Guidelines


The definitions below describe the level of severity for each signal word. Please read the manual and pay attention to these symbols.


 **DANGER:** Indicates an imminently hazardous situation which, if not avoided, **will** result in **death or serious injury**.

 **WARNING:** Indicates a potentially hazardous situation which, if not avoided, **could** result in **death or serious injury**.

 **CAUTION:** Indicates a potentially hazardous situation which, if not avoided, **may** result in **minor or moderate injury**.


NOTICE: Indicates a practice **not related to personal injury** which, if not avoided, **may** result in **property damage**.

 Denotes risk of electric shock.

 Denotes risk of fire.

SAFETY INSTRUCTIONS

 **WARNING:** When using mains-powered appliances, basic safety precautions, including the following, should always be followed to reduce the risk of fire, electric shock, personal injury and material damage.

 **WARNING:** When using the machine the safety rules must be followed. For your own safety and bystanders please read these instructions before operating the machine. Please keep the instructions safe for later use.

- Read all of this manual carefully before operating the appliance.
- The intended use is described in this manual. The use of any accessory or attachment or the performance of any operation with this appliance other than those recommended in this instruction manual may present a risk of personal injury.
- Retain this manual for future reference.

IMPORTANT
READ CAREFULLY BEFORE USE
KEEP FOR FUTURE REFERENCE

SAFE OPERATING PRACTICES

Training

- a) **Read the instructions carefully.** Be familiar with the controls and the correct use of the machine.
- b) **Never allow children or people unfamiliar with these instructions to use the machine.** Local regulations can restrict the age of the operator.
- c) Keep in mind that the operator or user is responsible for accidents or hazards occurring to other people or their property.

Preparation

- a) Before use, always visually inspect the machine for damaged, missing or misplaced guards or shields.
- b) Never operate the machine while people, especially children, or pets are nearby.

Operation

- a) Wear eye protection and stout shoes at all times while operating the machine.
- b) Avoid using the machine in bad weather conditions especially when there is a risk of lightning.
- c) Use the machine only in daylight or good artificial light.
- d) Never operate the machine with damaged guards or shields or without guards or shields in place.
- e) Switch on the motor only when the hands and feet are away from the cutting means.
- f) **Always disconnect the machine from the power supply (i.e. remove the plug from the mains, remove the disabling device or removable battery)**
 - whenever the machine is left unattended;
 - before clearing a blockage;
 - before checking, cleaning or working on the machine;
 - after striking a foreign object;
 - whenever the machine starts vibrating abnormally.
- g) Take care against injury to feet and hands from the cutting means.
- h) Always ensure that the ventilation openings are kept clear of debris.
- i) Remove any objects that may cause kickback, such as branches and rocks.
- j) Check for loose fasteners and damaged parts, such as cracks in the cutting attachment.

Maintenance and Storage

- a) **Disconnect the machine from the power supply (i.e. remove the plug from the mains, remove the disabling device or removable battery) before carrying out maintenance or cleaning work.**
- b) Use only the manufacturer's recommended replacement parts and accessories.
- c) **Inspect and maintain the machine regularly.** Have the machine repaired only by an authorized repairer.
- d) When not in use, store the machine out of the reach of children.
- e) Use blade cover for metal blades during transport and storage.
- f) Clean before storing, including the use of guards on cutting attachments with metal blades.

ADDITIONAL SAFETY INSTRUCTIONS FOR GRASS TRIMMERS

WARNING: *Cutting elements continue to rotate after the motor is switched off.*

- Wear long trousers to protect your legs.
- Before using the appliance, check that your cutting path is free from sticks, stones, wire and any other obstacles.
- Only use the appliance in the upright position, with the cutting line near the ground. Never switch the appliance on in any other position.
- Move slowly when using the appliance. Be aware that freshly cut grass is damp and slippery.
- Do not work on steep slopes. Work across the face of slopes, not up and down.
- Never cross gravel paths or roads while the appliance is running.
- Never touch the cutting line while the appliance is running.
- Do not put the appliance down until the cutting line has come to a complete standstill.
- Use only the appropriate type of cutting line. Never use metal cutting line or fishing line.
- Keep hands and feet away from the cutting line and blade at all times, especially when switching on the motor.
- Before using the appliance and after any impact, check for signs of wear or damage and repair as necessary.
- Take care against injury from any device fitted for trimming the filament line length. After extending new cutter line always return the machine to its normal operating position before switching on.
- Close supervision is necessary when the appliance is used near children.
- This appliance is not intended for use by young or infirm persons without supervision.
- This appliance is not to be used as a toy.
- Use in a dry location only. Do not allow the appliance to become wet.
- Do not immerse the appliance in water.
- Do not open the body casing. There are not user-serviceable parts inside
- Do not operate the appliance in explosive atmospheres, such as in the presence of flammable liquids, gases or dust.
- When the appliance is stored or transported in a vehicle it should be placed in the boot or restrained to prevent movement following sudden changes in speed or direction.
- When not in use, the appliance should be stored in a dry, well ventilated place out of reach of children.
- Children should not have access to stored appliances.

Safety of Others

- This appliance is not intended for use by persons (including children) with reduced physical, sensory or mental capabilities, or lack of experience and knowledge, unless they have been

given supervision or instruction concerning use of the appliance by a person responsible for their safety.

- Children must be supervised to ensure that they do not play with the appliance.

Residual Risks

To ensure you have good footing on slopes, do not overreach. Keep your balance at all times. Always walk, do not run.

Additional residual risks may arise when using the tool which may not be included in the enclosed safety warnings. These risks can arise from misuse, prolonged use etc.

Even with the application of the relevant safety regulations and the implementation of safety devices, certain residual risks can not be avoided. These include:

- Injuries caused by touching any rotating/moving parts.
- Injuries caused when changing any parts, blades or accessories.
- Injuries caused by prolonged use of a tool. When using any tool for prolonged periods ensure you take regular breaks.
- Impairment of hearing.
- Health hazards caused by breathing dust developed when using your tool (example: working with wood, especially oak, beech and MDF.)

Electrical Safety

The electric motor has been designed for one voltage only. Always check that the battery pack voltage corresponds to the voltage on the rating plate. Also make sure that the voltage of your charger corresponds to that of your mains.



Your STANLEY FATMAX charger is double insulated in accordance with EN60335; therefore no earth wire is required.

WARNING: *115 V units have to be operated via a fail-safe isolating transformer with an earth screen between the primary and secondary winding.*

If the supply cord is damaged, it must be replaced by a specially prepared cord available through the STANLEY FATMAX service organisation.

Mains Plug Replacement (U.K. & Ireland Only)

If a new mains plug needs to be fitted:

- Safely dispose of the old plug.
- Connect the brown lead to the live terminal in the plug.
- Connect the blue lead to the neutral terminal.



WARNING: *No connection is to be made to the earth terminal.*

Follow the fitting instructions supplied with good quality plugs. Recommended fuse: 3 A..

Using an Extension Cable

An extension cord should not be used unless absolutely necessary. Use an approved extension cable suitable for the power input of your charger (see **Technical Data**). The

minimum conductor size is 1 mm²; the maximum length is 30 m.

When using a cable reel, always unwind the cable completely.

SAVE THESE INSTRUCTIONS

Chargers

STANLEY FATMAX chargers require no adjustment and are designed to be as easy as possible to operate.

Important Safety Instructions for All Battery Chargers

SAVE THESE INSTRUCTIONS: This manual contains important safety and operating instructions for compatible battery chargers (refer to **Technical Data**).

- Before using charger, read all instructions and cautionary markings on charger, battery pack, and product using battery pack.

⚠ WARNING: Shock hazard. Do not allow any liquid to get inside charger. Electric shock may result.

⚠ WARNING: We recommend the use of a residual current device with a residual current rating of 30mA or less.

⚠ CAUTION: Burn hazard. To reduce the risk of injury, charge only STANLEY FATMAX rechargeable batteries. Other types of batteries may burst causing personal injury and damage.

⚠ CAUTION: Children should be supervised to ensure that they do not play with the appliance.

NOTICE: Under certain conditions, with the charger plugged into the power supply, the exposed charging contacts inside the charger can be shorted by foreign material. Foreign materials of a conductive nature such as, but not limited to, steel wool, aluminum foil or any buildup of metallic particles should be kept away from charger cavities. Always unplug the charger from the power supply when there is no battery pack in the cavity. Unplug charger before attempting to clean

- **DO NOT attempt to charge the battery pack with any chargers other than the ones in this manual.** The charger and battery pack are specifically designed to work together.
- **These chargers are not intended for any uses other than charging STANLEY FATMAX rechargeable batteries.** Any other uses may result in risk of fire, electric shock or electrocution.
- **Do not expose charger to rain or snow.**
- **Pull by plug rather than cord when disconnecting charger.** This will reduce risk of damage to electric plug and cord.

- **Make sure that cord is located so that it will not be stepped on, tripped over, or otherwise subjected to damage or stress.**
- **Do not use an extension cord unless it is absolutely necessary.** Use of improper extension cord could result in risk of fire, electric shock, or electrocution.
- **Do not place any object on top of charger or place the charger on a soft surface that might block the ventilation slots and result in excessive internal heat.** Place the charger in a position away from any heat source. The charger is ventilated through slots in the top and the bottom of the housing.
- **Do not operate charger with damaged cord or plug—** have them replaced immediately.
- **Do not operate charger if it has received a sharp blow, been dropped, or otherwise damaged in any way.** Take it to an authorised service centre.
- **Do not disassemble charger; take it to an authorised service centre when service or repair is required.** Incorrect reassembly may result in a risk of electric shock, electrocution or fire.
- In case of damaged power supply cord the supply cord must be replaced immediately by the manufacturer, its service agent or similar qualified person to prevent any hazard.
- **Disconnect the charger from the outlet before attempting any cleaning. This will reduce the risk of electric shock.** Removing the battery pack will not reduce this risk.
- **NEVER** attempt to connect two chargers together.
- **The charger is designed to operate on standard 230V household electrical power. Do not attempt to use it on any other voltage.** This does not apply to the vehicular charger.

Charging a Battery (Fig. B)

1. Plug the charger into an appropriate outlet before inserting battery pack.
2. Insert the battery pack **12** into the charger, making sure the battery pack is fully seated in the charger. The red (charging) light will blink repeatedly indicating that the charging process has started.
3. The completion of charge will be indicated by the red light remaining ON continuously. The battery pack is fully charged and may be used at this time or left in the charger. To remove the battery pack from the charger, push the battery release button **13** on the battery pack.

Note: To ensure maximum performance and life of lithium-ion battery packs, charge the battery pack fully before first use.

Charger Operation

Refer to the indicators below for the charge status of the battery pack.

Charge Indicators



*The red light will continue to blink, but a yellow indicator light will be illuminated during this operation. Once the battery pack has reached an appropriate temperature, the yellow light will turn off and the charger will resume the charging procedure.

The compatible charger(s) will not charge a faulty battery pack. The charger will indicate faulty battery by refusing to light or by displaying problem pack or charger blink pattern.

NOTE: This could also mean a problem with a charger.

If the charger indicates a problem, take the charger and battery pack to be tested at an authorised service centre.

Hot/Cold Pack Delay

When the charger detects a battery pack that is too hot or too cold, it automatically starts a Hot/Cold Pack Delay, suspending charging until the battery pack has reached an appropriate temperature. The charger then automatically switches to the pack charging mode. This feature ensures maximum battery pack life.

A cold battery pack will charge at a slower rate than a warm battery pack. The battery pack will charge at that slower rate throughout the entire charging cycle and will not return to maximum charge rate even if the battery pack warms.

Wall Mounting

These chargers are designed to be wall mountable or to sit upright on a table or work surface. If wall mounting, locate the charger within reach of an electrical outlet, and away from a corner or other obstructions which may impede air flow. Use the back of the charger as a template for the location of the mounting screws on the wall. Mount the charger securely using drywall screws (purchased separately) at least 25.4 mm long with a screw head diameter of 7–9 mm, screwed into wood to an optimal depth leaving approximately 5.5 mm of the screw exposed. Align the slots on the back of the charger with the exposed screws and fully engage them in the slots.

Charger Cleaning Instructions

WARNING: *Shock hazard. Disconnect the charger from the AC outlet before cleaning. Dirt and grease may be removed from the exterior of the charger using a cloth or soft non-metallic brush. Do not use water or any cleaning solutions. Never let any liquid get inside the tool; never immerse any part of the tool into a liquid.*

Battery Packs

Important Safety Instructions for All Battery Packs

When ordering replacement battery packs, be sure to include catalogue number and voltage.

The battery pack is not fully charged out of the carton. Before using the battery pack and charger, read the safety instructions below. Then follow charging procedures outlined.

READ ALL INSTRUCTIONS

- **Do not charge or use battery in explosive atmospheres, such as in the presence of flammable liquids, gases or dust.** Inserting or removing the battery from the charger may ignite the dust or fumes.
- **Never force battery pack into charger. Do not modify battery pack in any way to fit into a non-compatible charger as battery pack may rupture causing serious personal injury.**
- Charge the battery packs only in STANLEY FATMAX chargers.
- **DO NOT** splash or immerse in water or other liquids.
- **Do not store or use the tool and battery pack in locations where the temperature may reach or exceed 40 °C (104 °F) (such as outside sheds or metal buildings in summer).**
- **Do not incinerate the battery pack even if it is severely damaged or is completely worn out.** The battery pack can explode in a fire. Toxic fumes and materials are created when lithium-ion battery packs are burned.
- **If battery contents come into contact with the skin, immediately wash area with mild soap and water.** If battery liquid gets into the eye, rinse water over the open eye for 15 minutes or until irritation ceases. If medical attention is needed, the battery electrolyte is composed of a mixture of liquid organic carbonates and lithium salts.
- **Contents of opened battery cells may cause respiratory irritation.** Provide fresh air. If symptoms persists, seek medical attention.



WARNING: Burn hazard. Battery liquid may be flammable if exposed to spark or flame.



WARNING: Never attempt to open the battery pack for any reason. If battery pack case is cracked or damaged, do not insert into charger. Do not crush, drop or damage battery pack. Do not use a battery pack or charger that has received a sharp blow, been dropped, run over or damaged in any way (i.e., pierced with a nail, hit with a hammer, stepped on). Electric shock or electrocution may result. Damaged battery packs should be returned to service centre for recycling.



WARNING: Fire hazard. Do not store or carry the battery pack so that metal objects can contact exposed battery terminals. For example, do not place the battery pack in aprons, pockets, tool boxes, product kit boxes, drawers, etc., with loose nails, screws, keys, etc.



CAUTION: When not in use, place tool on its side on a stable surface where it will not cause a tripping or falling hazard. Some tools with large battery packs will stand upright on the battery pack but may be easily knocked over.

Transportation



WARNING: Fire hazard. Transporting batteries can possibly cause fire if the battery terminals inadvertently come in contact with conductive materials. When transporting batteries, make sure that the battery terminals are protected and well insulated from materials that could contact them and cause a short circuit.

STANLEY FATMAX batteries comply with all applicable shipping regulations as prescribed by industry and legal standards which include UN Recommendations on the Transport of Dangerous Goods; International Air Transport Association (IATA) Dangerous Goods Regulations, International Maritime Dangerous Goods (IMDG) Regulations, and the European Agreement Concerning The International Carriage of Dangerous Goods by Road (ADR). Lithium-ion cells and batteries have been tested to section 38.3 of the UN Recommendations on the Transport of Dangerous Goods Manual of Tests and Criteria.

In most instances, shipping a STANLEY FATMAX battery pack will be excepted from being classified as a fully regulated Class 9 Hazardous Material. In general, only shipments containing a lithium-ion battery with an energy rating greater than 100 Watt Hours (Wh) will require being shipped as fully regulated Class 9. All lithium-ion batteries have the Watt Hour rating marked on the pack. Furthermore, due to regulation complexities, STANLEY FATMAX does not recommend air shipping lithium-ion battery packs alone regardless of Watt Hour rating. Shipments of tools with batteries (combo kits) can be air shipped as excepted if the Watt Hour rating of the battery pack is no greater than 100 Whr.

Regardless of whether a shipment is considered excepted or fully regulated, it is the shipper's responsibility to consult the latest regulations for packaging, labeling/marketing and documentation requirements.

The information provided in this section of the manual is provided in good faith and believed to be accurate at the time the document was created. However, no warranty, expressed or implied, is given. It is the buyer's responsibility to ensure that its activities comply with the applicable regulations.

Storage Recommendations

1. The best storage place is one that is cool and dry away from direct sunlight and excess heat or cold. For optimum battery performance and life, store battery packs at room temperature when not in use.
2. For long storage, it is recommended to store a fully charged battery pack in a cool, dry place out of the charger for optimal results.

Note: Battery packs should not be stored completely depleted of charge. The battery pack will need to be recharged before use.

Labels on Charger and Battery Pack

In addition to the pictographs used in this manual, the labels on the charger and the battery pack may show the following pictographs:



Read instruction manual before use.



See **Technical Data** for charging time.



Do not probe with conductive objects.



Do not charge damaged battery packs.



Do not expose to water.



Have defective cords replaced immediately.



Charge only between 4 °C and 40 °C.



Only for indoor use.



Discard the battery pack with due care for the environment.



Charge STANLEY FATMAX battery packs only with designated STANLEY FATMAX chargers. Charging battery packs other than the designated STANLEY FATMAX batteries with a STANLEY FATMAX charger may make them burst or lead to other dangerous situations.



Do not incinerate the battery pack.

Battery Type

The SFMCSTB933 operates on a 18 volt battery pack.

These battery packs may be used: SFMCB204, SFMCB202, SFMCB206 Refer to **Technical Data** for more information.

Package Contents

The package contains:

- 1 Grass Trimmer
- 1 Guard
- 4 Guard screws
- 1 SA spool head
- 1 Spindle lock plate
- 1 Li-Ion battery pack
- 1 Charger
- 1 Instruction manual

- Check for damage to the tool, parts or accessories which may have occurred during transport.
- Take the time to thoroughly read and understand this manual prior to operation.

Markings on Tool

The following pictograms are shown on the tool:



Read instruction manual before use.



Wear ear protection.



Wear eye protection.



Do not expose the tool to rain or high humidity or leave outdoors while it is raining.



Switch the tool off. Before performing any maintenance on the tool, remove the battery from the tool.



Keep people and animals at least 6 m away from the work area.



Keep bystanders away.



Directive 2000/14/EC guaranteed sound power.

Date Code Position (Fig. A)

The date code **18**, which also includes the year of manufacture, is printed into the housing.

Example:

2021 XX XX

Year of Manufacture

Description (Fig. A)

! WARNING: Never modify the power tool or any part of it. Damage or personal injury could result.

- | | |
|--------------------------|---------------------------|
| 1 Variable speed trigger | 8 Pole bracket |
| 2 Lock-off button | 9 Guard |
| 3 Speed control switch | 10 Spool housing |
| 4 Auxiliary handle | 11 Battery housing |
| 5 Motor housing | 12 Battery pack |
| 6 Upper trimmer pole | 13 Battery release button |
| 7 Lower trimmer pole | 14 Handle |

Intended Use

This Grass Trimmer is designed for professional trimming applications.

DO NOT use under wet conditions or in the presence of flammable liquids or gases.

This is not an edger and is not intended to be used for edging.

DO NOT let children come into contact with the tool.

Supervision is required when inexperienced operators use this tool.

- **Young children and the infirm.** This appliance is not intended for use by young children or infirm persons without supervision.
- This product is not intended for use by persons (including children) suffering from diminished physical, sensory or mental abilities; lack of experience, knowledge or skills unless they are supervised by a person responsible for their safety. Children should never be left alone with this product.

ASSEMBLY AND ADJUSTMENTS

! WARNING: To reduce the risk of serious personal injury, turn tool off and disconnect battery pack before making any adjustments or removing/installing attachments or accessories. An accidental start-up can cause injury.

! WARNING: Use only STANLEY FATMAX battery packs and chargers.

Inserting and Removing the Battery Pack from the Tool (Fig. G)

NOTE: Make sure your battery pack **12** is fully charged.

To Install the Battery Pack into the Tool

1. Align the battery pack **12** with the rails inside the tool (Fig. G).
2. Slide it into the tool until the battery pack is firmly seated and ensure that you hear the lock snap into place.

To Remove the Battery Pack from the Tool

1. Press the release button **13** and firmly pull the battery pack out of the tool handle (Fig. G).
2. Insert battery pack into the charger as described in the charger section of this manual.

Fuel Gauge Battery Packs (Fig. G)

Some STANLEY FATMAX battery packs include a fuel gauge which consists of three green LED lights that indicate the level of charge remaining in the battery pack.

To actuate the fuel gauge, press and hold the fuel gauge button **32**. A combination of the three green LED lights will illuminate designating the level of charge left. When the level of charge in the battery is below the usable limit, the fuel gauge will not illuminate and the battery will need to be recharged.

NOTE: The fuel gauge is only an indication of the charge left on the battery pack. It does not indicate tool functionality and is subject to variation based on product components, temperature and end-user application.

Attaching Spool Assembly (Fig. B, C)

Use STANLEY FATMAX replacement spool STZST1169.

1. Install spindle plate **22** onto the spindle **23**, so the double D shaped retaining nut on the spindle sits inside the base of the spindle plate.
2. Rotate the spindle plate until the hole **24** aligns with notch **25** in the housing. Insert the included rod through the notch and into the hole, to prevent the spindle from turning.
3. While holding the rod in place, thread the new spool housing **10** with spool grip cover counterclockwise. Securely tighten the new spool housing onto the spindle.

Attaching Guard (Fig. D, E)

WARNING: *Never remove the guard. Damage or personal injury could result.*

WARNING: *NEVER OPERATE APPLIANCE WITHOUT GUARD FIRMLY IN PLACE. The guard must always be properly attached on the appliance to protect the user.*

1. Assemble the guard **9** to the motor housing **5**.
2. Using a crosshead screwdriver, insert the 2 guard screws **15** and tighten securely.

NOTE: An extended coverage guard is available (sold separately) for extra coverage if desired. Use STANLEY FATMAX replacement guard Part Number N722862.

Attaching the Auxiliary Handle (Fig. F)

1. Place the auxiliary handle **4** onto the top of the upper trimmer pole **6** as shown in Figure F.
2. Slide the bracket **30** of the auxiliary handle onto the bottom of the handle.
3. Thread the handle bolts **31** through the handle and into the bracket from above.
4. Tighten the handle bolts. Ensure the handle is securely attached by closing the handle clamp **29**.
5. To adjust the position of the auxiliary handle, open the handle clamp and slide the handle up and down the pole until it is in the desired location. Close the clamp to lock the handle in place.

Releasing the Cutting Line (Fig. A)

In transit, the cutting line is taped to the spool housing **10**.

- Remove the tape holding the cutting line to the spool housing.

OPERATION

Instructions for Use

WARNING: *Always observe the safety instructions and applicable regulations.*

WARNING: *To reduce the risk of serious personal injury, turn tool off and disconnect battery pack before making any adjustments or removing/installing attachments or accessories. An accidental start-up can cause injury.*

Proper Hand Position (Fig. A, H)

WARNING: *To reduce the risk of serious personal injury, ALWAYS use proper hand position as shown.*

WARNING: *To reduce the risk of serious personal injury, ALWAYS hold securely in anticipation of a sudden reaction.*

Proper hand position requires one hand on the main handle **14** and one hand on the auxiliary handle **4**.

Switching Trimmer On and Off (Fig. A)

To turn the appliance on, squeeze the lock-off lever **2** and then the variable speed trigger **1**. Once the unit is running, you may release the lock off lever. To turn the appliance off, release the variable speed trigger.

Speed Control Switch (Fig. A)

This string trimmer gives you the choice to operate at a more efficient speed to extend the runtime for larger jobs, or accelerate the trimmer speed for high- performance cutting.

To extend runtime, pull the speed control switch back toward the battery housing **11** into the "LO" position. This mode is best for larger projects that require more time to complete.

To accelerate the trimmer, push the speed control switch **3** forward toward the auxiliary handle **4** into the "HI" position. This mode is best to cut through heavier growth and for applications that need higher RPM.

NOTE: When in "HI" mode, runtime will be decreased as compared to when trimmer is in "LO" mode.

Trimming (Fig. I, J)

With the trimmer on, angle it and swing side to side as shown in Figure I.

Maintain a minimum distance of 610 mm between the guard and your feet as shown in Figure J.

WARNING: *Keep the rotating string roughly parallel with the ground (tilted no more than 30°). This trimmer is not an edger. DO NOT TILT the trimmer so that the string is spinning near a right angle to the ground. Flying debris can cause serious injury.*

Bump Feed Trimmer Line Feed

Your trimmer uses 2 mm diameter diameter line that is spiral-shaped with smooth round edges. Cutting line will wear faster and require more feeding if the cutting is done along sidewalks or other abrasive surfaces or heavier weeds are being cut.

As you use the trimmer, the string will get shorter due to wear. Gently bump the trimmer on the ground while running at normal speed and the line will feed.

NOTE: Extending nylon line beyond the 330 mm swath will negatively affect performance, runtime, and the life of the trimmer due to potential of damaging motor. Doing so may void the warranty.

Helpful Cutting Tips (Fig. M)

- Use the tip of the string to do the cutting; do not force string head into uncut grass.
- Wire and picket fences cause extra string wear, even breakage. Stone and brick walls, curbs, and wood may wear string rapidly.
- Do not allow spool cap **28** to drag on ground or other surfaces.
- In long growth, cut from the top down and do not exceed 305 mm high.
- Keep trimmer tilted toward the area being cut; this is the best cutting area.
- The trimmer cuts when passing the unit from the left to right. This will avoid throwing debris at the operator.
- Avoid trees and shrubs. Tree bark, wood moldings, siding, and fence posts can easily be damaged by the string.

Reloading the Cutting Line (Fig. K–M)

WARNING: *To reduce the risk of serious personal injury, turn unit off and remove the battery pack before making any adjustments or removing/installing attachments or accessories, when replacing line, or prior to cleaning. An accidental start-up can cause injury.*

CAUTION: *Use only STANLEY FATMAX replacement spools and line. Using any other manufacturer's line can reduce performance, damage the trimmer or cause personal injury. Your trimmer uses 2 mm diameter line that is spiral-shaped with smooth round edges. Do not use other size lines. This can degrade performance, cause damage to the unit or injury.*

CAUTION: *To avoid appliance damage, if the cutting line protrudes beyond the trimming blade, cut it off so that it just reaches the blade.*

Use only STANLEY FATMAX replacement line.

1. Remove battery.
2. Cut a max of 6 m length of of 2 mm trimmer line.
3. Align spool housing eyelets **21** with the arrow **18** on the spool grip cover **20** as shown in Figure K.
4. Thread one end of the trimmer line through an eyelet. Guide the line through to the second eyelet and continue to pull

the line through until there are equal lengths of string on each side of the spool housing as shown in Figure L.

5. Secure the spool cap **28** from moving with one hand. Using your other hand, wind the string onto the spool by rotating the spool grip cover **20** counterclockwise. Continue winding until 101 mm of string remain on each side of the spool housing.

MAINTENANCE

Your STANLEY FATMAX power tool has been designed to operate over a long period of time with a minimum of maintenance. Continuous satisfactory operation depends upon proper tool care and regular cleaning.

WARNING: *To reduce the risk of serious personal injury, turn tool off and disconnect battery pack before making any adjustments or removing/installing attachments or accessories. An accidental start-up can cause injury.*

The charger and battery pack are not serviceable.



Lubrication

Your power tool requires no additional lubrication.



Cleaning

WARNING: *Blow dirt and dust out of the main housing with dry air as often as dirt is seen collecting in and around the air vents. Wear approved eye protection and approved dust mask when performing this procedure.*

WARNING: *Never use solvents or other harsh chemicals for cleaning the non-metallic parts of the tool. These chemicals may weaken the materials used in these parts. Use a cloth dampened only with water and mild soap. Never let any liquid get inside the tool; never immerse any part of the tool into a liquid.*

Helpful Cleaning Tips (Fig. N)

- Keep the air intake slots **27** clean to avoid overheating.
- Your trimmer line can dry out over time.
- Plastic parts may be cleaned by using a mild soap and a damp rag.
- The line cutter on the edge of the guard can dull over time. It is recommended you periodically touch-up the sharpness of the blade with a file.

Replacement Accessories

WARNING: *To reduce the risk of serious personal injury, turn appliance off and remove*

battery before making any adjustments or removing/installing attachments or accessories.

⚠ WARNING: *The use of any accessory not recommended by STANLEY FATMAX for use with this appliance could be hazardous.*

⚠ WARNING: *Do not use any blades, or any accessory or attachment other than those recommended by STANLEY FATMAX on this trimmer. Serious injury or product damage may result.*


When replacing the line, use 2 mm diameter line. Use STANLEY FATMAX replacement line Model No. STZST1226. Other sizes may degrade performance or cause damage to the trimmer.


Optional Accessories

⚠ WARNING: *Since accessories, other than those offered by STANLEY FATMAX, have not been tested with this product, use of such accessories with this tool could be hazardous. To reduce the risk of injury, only STANLEY FATMAX recommended accessories should be used with this product.*

Consult your dealer for further information on the appropriate accessories.

Protecting the Environment

 Separate collection. Products and batteries marked with this symbol must not be disposed of with normal household waste.

 Products and batteries contain materials that can be recovered or recycled reducing the demand for raw materials. Please recycle electrical products and batteries according to local provisions. Further information is available at www.2helpU.com.

Rechargeable Battery Pack

This long life battery pack must be recharged when it fails to produce sufficient power on jobs which were easily done before. At the end of its technical life, discard it with due care for our environment:

- Run the battery pack down completely, then remove it from the tool.
- Li-Ion cells are recyclable. Take them to your dealer or a local recycling station. The collected battery packs will be recycled or disposed of properly.

Guarantee

1 Year Guarantee

All STANLEY FATMAX power tool products include a 1 year guarantee as standard. In the unlikely event that your powertool becomes defective due to faulty materials or workmanship within 1 year of purchase, STANLEY guarantees to replace or

repair all defective parts free of charge, or – at our discretion – replace the item free of charge.

3 Year Guarantee

Register your STANLEY FATMAX power tool within 4 weeks of purchase and qualify for an additional 2 year guarantee. Having registered your power tool, in the unlikely event that your powertool becomes defective due to faulty materials or workmanship, STANLEY guarantees to replace or repair all defective parts free of charge, or – at our discretion – replace the item free of charge.

БЕСЩЕТОЧНАЯ КОРДОВАЯ ГАЗОНОКОСИЛКА

SFMCSTB933

Поздравляем!

Вы выбрали инструмент STANLEY FATMAX. Многолетний опыт, тщательная разработка изделий и инновации делают компанию STANLEY FATMAX одним из самых надежных партнеров для пользователей профессиональных электроинструментов.

Технические характеристики

SFMCSTB933		
Напряжение	V _{пост.тока}	18 В
Великобритания и Ирландия	V _{пост.тока}	18 В
Тип		1
об/мин.	об/мин.	4600-6000
Ширина скашивания	мм	330
Вес (без аккумуляторной батареи)	кг	3,1

Значения шума и вибрации (сумма векторов в трех плоскостях). Режим кордовой газонокосилки в соответствии с EN50636-2-91:

L _{PA} (уровень звукового давления)	дБ(А)	79,5
L _{WA} (уровень акустической мощности)	дБ(А)	93,0
K (погрешность для заданного уровня мощности)	дБ(А)	1,5
Значение вибрационного воздействия a _h =		2,8
Погрешность K =	м/с ²	1,5

Значение вибрационного воздействия, указанное в данном справочном листке, было получено в соответствии со стандартным тестом, приведенным в EN50636, и может использоваться для сравнения инструментов. Кроме того, оно может использоваться для предварительной оценки воздействия вибрации.

⚠ ВНИМАНИЕ: Заявленное значение вибрационного воздействия относится к основным областям применения инструмента. Однако, если инструмент используется не по основному назначению, с различными дополнительными принадлежностями или при ненадлежащем уходе, уровень вибрации может измениться. Это может привести к значительному увеличению уровня воздействия вибрации в течение всего рабочего периода. При расчете приблизительного значения уровня воздействия вибрации также необходимо учитывать время, когда инструмент выключен или то время, когда он работает на холостом ходу. Это

может привести к значительному снижению уровня воздействия вибрации в течение всего рабочего периода.

Определите дополнительные меры техники безопасности для защиты оператора от эффектов воздействия вибрации, а именно: следить за состоянием инструмента и принадлежностей, создание комфортных условий работы, хорошая организация рабочего места.

Аккумуляторная батарея Кат. №	Выходное напряжение	Зарядное устройство SFMCB12
SFMCB202	18	X
SFMCB204	18	X
SFMCB206	18	X

«X» обозначает, что аккумуляторная батарея совместима с этим конкретным зарядным устройством. Прочтите руководство по эксплуатации для получения более подробной информации.

Декларация о соответствии нормам ЕС

Директива по механическому оборудованию



Бесщеточная кордовая газонокосилка SFMCSTB933

STANLEY FATMAX заявляет, что продукция, описанная в разделе «Технические характеристики», соответствует: 2006/42/EC, EN60335-1:2012 + A11:2014, EN50636-2-91:2014. 2000/14/EC, Газонокосилка, D ≤ 50 см, Приложение VI DEKRA Certification B.V.

Meander 1051 / P.O. box 5185

6525 MJ ARNHEM / 6802 ED

ARNHEM, Нидерланды

Идентификационный № уведомленного органа: 0344

Уровень акустической мощности в соответствии с директивой 2000/14/EC

(Статья 12, Приложение III, L ≤ 50 см):

L_{PA} (измеренное звуковое давление) 79,5 дБ(А)
погрешность (K) = 1,5 дБ(А)

L_{WA} (гарантированная акустическая мощность) 96 дБ(А)

Эти продукты также соответствуют Директивам 2014/30/EU и 2011/65/EU. За дополнительной информацией обращайтесь в STANLEY FATMAX по адресу, указанному ниже или приведенному на задней стороне обложки руководства.

Нижеподписавший несет ответственность за составление технической документации и составил данную декларацию по поручению компании STANLEY FATMAX.



А. П. Смит (A. P. Smith)

Технический директор
STANLEY FATMAX Europe, Egide Walschaertsstraat 14-18,
2800 Mechelen, Belgium
2019-10-09



ВНИМАНИЕ: Во избежание риска получения травм ознакомьтесь с инструкцией.

Обозначения: Правила техники безопасности

Ниже описывается уровень опасности, обозначаемый каждым из предупреждений. Прочитайте руководство и обратите внимание на данные символы.



ОПАСНО: Обозначает опасную ситуацию, которая неизбежно приведет к **серьезной травме или смертельному исходу**, в случае несоблюдения соответствующих мер безопасности.



ВНИМАНИЕ: Указывает на потенциально опасную ситуацию, которая, в случае несоблюдения соответствующих мер безопасности, **может привести к серьезной травме или смертельному исходу**.



ПРЕДУПРЕЖДЕНИЕ: Указывает на потенциально опасную ситуацию, которая, в случае несоблюдения соответствующих мер безопасности, **может стать причиной травмы средней или легкой степени тяжести**.

ПРИМЕЧАНИЕ: Указывает на практики, **использование которых не связано с получением травмы**, но если ими пренебречь, **могут привести к порче имущества**.



Указывает на риск поражения электрическим током.



Указывает на риск возгорания.

ПРАВИЛА ТЕХНИКИ БЕЗОПАСНОСТИ



ВНИМАНИЕ: Для снижения риска возникновения пожара, поражения электрическим током, получения травм и материального ущерба при использовании инструмент с питанием от сети нужно обязательно соблюдать основные меры предосторожности, включая следующие.



ВНИМАНИЕ: При использовании инструмента обязательно соблюдайте правила техники безопасности. Для Вашей собственной безопасности и безопасности окружающих прочитайте данное руководство, прежде чем приступить к работе с инструментом. Сохраните руководство для дальнейшего использования.

- Прежде чем приступить к работе с инструментом, внимательно прочитайте настоящее руководство.
- В данном руководстве описано предусмотренное применение. Использование каких-либо принадлежностей или насадок, а также выполнение каких-либо операций, отличных от рекомендованных в данном руководстве, может привести к травмам.
- Сохраните данное руководство для справки в будущем.

ВАЖНО

**ВНИМАТЕЛЬНО ПРОЧИТАЙТЕ ПЕРЕД ИСПОЛЬЗОВАНИЕМ
СОХРАНИТЕ ДЛЯ БУДУЩЕГО ИСПОЛЬЗОВАНИЯ**

ПРАВИЛА БЕЗОПАСНОЙ ЭКСПЛУАТАЦИИ

Обучение

- Внимательно прочитайте инструкции.** Ознакомьтесь со средствами управления и правильным использованием инструмента.
- Не позволяйте детям или лицам, незнакомым с данными инструментами, использовать инструмент.** Местные нормы могут налагать ограничения на возраст оператора.
- Учитывайте, что оператор или пользователь несет ответственность за несчастные случаи или опасности, создаваемые другим лицам или их собственности.

Подготовка к эксплуатации

- Перед использованием всегда проверяйте инструмент визуально на предмет поврежденных, отсутствующих или утерянных кожухов или щитков.
- Не используйте инструмент, если рядом присутствуют посторонние, особенно дети, или домашние животные.

Эксплуатация

- Всегда надевайте защитные очки и обувь на толстой подошве при использовании инструмента.
- Избегайте работы с инструментом в плохих погодных условиях, особенно при риске удара молнии.
- Используйте инструмент только днем или при хорошем искусственном освещении.
- Не используйте инструмент с поврежденными кожухами и щитками или без кожухов и щитков.
- Включайте электродвигатель только когда руки и ноги находятся на безопасном расстоянии от режущих частей.

- f) *Всегда отсоединяйте инструмент от источника питания (например, извлекайте вилку из розетки, извлекайте предохранительное устройство или съемную аккумуляторную батарею)*
 - *когда инструмент остается без присмотра;*
 - *перед удалением засорения;*
 - *перед проверкой, чисткой или обслуживанием инструмента;*
 - *после удара об инородный предмет;*
 - *при наличии ненормальных вибраций в инструменте.*
 - g) *Остерегайтесь травмирования рук и ног режущими частями.*
 - h) *Всегда удостоверьтесь, что вентиляционные отверстия чисты от загрязнений.*
 - i) *Удалите все предметы, которые могут вызвать обратный удар, такие как ветки и камни.*
 - j) *Проверьте наличие ослабленных крепежных элементов и поврежденных деталей, например, трещин в режущем приспособлении.*
- *Используйте инструмент только в вертикальном положении, режущей леской к земле. Не включайте инструмент в каком-либо другом положении.*
 - *При использовании инструмента передвигайтесь медленно. Помните, что свежескошенная трава может быть влажной и скользкой.*
 - *Не работайте на крутых уклонах. Работайте по поверхности уклона, а не вверх и вниз.*
 - *Не пересекайте гравийные дорожки или дороги с работающим инструментом.*
 - *Не прикасайтесь к режущей леске включенного инструмента.*
 - *Не ставьте инструмент на землю до тех пор, пока режущая леска не остановится полностью.*
 - *Используйте только режущую леску соответствующего типа. Не используйте металлическую режущую леску или рыболовную леску.*
 - *Всегда держите руки и ноги на безопасном расстоянии от режущей лески и ножа, особенно при включении электродвигателя.*
 - *Проверяйте инструмент на предмет повреждений перед каждым использованием и после каждого столкновения и выполняйте ремонт по необходимости.*
 - *Будьте осторожны, чтобы не получить травм от какого-либо из инструментов для обрезки лески. После выдвигания новой режущей лески всегда возвращайте инструмент в нормальное рабочее положение перед тем, как его включить.*
 - *При работе рядом с детьми необходимо особое внимание.*
 - *Данный инструмент не предназначен для использования несовершеннолетними или лицами с ограниченными возможностями, если они не находятся под присмотром.*
 - *Инструмент не предназначен для игр.*
 - *Использовать только в сухом месте. Не допускайте попадания влаги в инструмент.*
 - *Не погружайте инструмент в воду.*
 - *Запрещается вскрывать корпус. Внутри инструмента нет деталей, обслуживаемых пользователем*
 - *Не используйте инструмент во взрывоопасной среде, например, при наличии горючих жидкостей, газов или пыли.*
 - *Если инструмент хранится или транспортируется в транспортном средстве, его нужно поместить в багажник или закрепить во избежание перемещения в результате резкого изменения скорости или направления движения.*
 - *Если инструмент не используется, его нужно хранить в сухом, хорошо вентилируемом помещении, недоступном для детей.*
 - *Дети не должны иметь доступа к помещенным на хранение инструментам.*

Обслуживание и хранение

- a) *Отсоединяйте инструмент от источника питания (например, вынимайте вилку из розетки, вынимайте предохранительное устройство или съемную аккумуляторную батарею) перед выполнением технического обслуживания или чисткой.*
- b) *Используйте только рекомендованные производителем запасные части и дополнительные принадлежности.*
- c) **Регулярно проверяйте и выполняйте обслуживание инструмента.** *Ремонт инструмента должен производиться авторизованным специалистом по ремонту.*
- d) *Когда инструмент не используется, храните в недоступном для детей месте.*
- e) *Во время транспортировки и хранения используйте защитный чехол для металлических лезвий.*
- f) *Перед тем как оставить инструмент на хранение очистите защитный кожух, режущее приспособление и металлические лезвия.*

ДОПОЛНИТЕЛЬНЫЕ МЕРЫ БЕЗОПАСНОСТИ ПРИ РАБОТЕ С ГАЗОНОКОСИЛКАМИ



ВНИМАНИЕ: *Режущие части продолжают вращаться после выключения электродвигателя.*

- *Надевайте длинные брюки, чтобы защитить ноги.*
- *Перед использованием инструмента убедитесь, что в области под косом нет палок, камней, проволоки и других препятствий.*

Безопасность окружающих

- Данный инструмент не предназначен для использования лицами (включая детей) с ограниченными физическими, сенсорными или ментальными возможностями, а также лицами без достаточного опыта и знаний, если только они не делают этого под руководством лица имеющего соответствующий опыт и отвечающего за их безопасность.
- Не позволяйте детям играть с данным инструментом.

Остаточные риски

В целях сохранения равновесия на уклонах не пытайтесь дотянуться до слишком удаленных поверхностей. Всегда сохраняйте равновесие. Ходите пешком, не бегите.


При работе с инструментом возможно возникновение дополнительных остаточных рисков, которые не вошли в описанные здесь правила техники безопасности. Это может произойти при неправильной эксплуатации или продолжительном использовании инструмента и т. п.


Несмотря на соблюдение соответствующих инструкций по технике безопасности и использование предохранительных устройств, некоторые остаточные риски невозможно полностью исключить. К ним относятся:

- Травмы в результате касания вращающихся/движущихся частей.
- Травмы, которые могут произойти в при замене деталей, ножа или аксессуаров.
- Травмы, связанные с продолжительным использованием инструмента. При использовании любого инструмента в течение продолжительного периода времени не забывайте делать перерывы.
- Ухудшение слуха.
- Угроза здоровью, связанная с вдыханием пыли, которая образуется при использовании этого инструмента (например, при работе с деревом, особенно дубом, березой и МДФ).

Электробезопасность

Электродвигатель рассчитан на работу только при одном напряжении сети. Необходимо обязательно убедиться в том, что напряжение источника питания соответствует указанному на паспортной табличке инструмента. Необходимо также убедиться в том, что напряжение работы зарядного устройства соответствует напряжению в сети.

 Зарядное устройство STANLEY FATMAX оснащено двойной изоляцией в соответствии с требованиями EN60335; поэтому провод заземления не требуется.

 **ВНИМАНИЕ:** Питание для инструмента с рабочим напряжением 115 В должно поступать через откazoустойчивый изолирующий трансформатор с заземленным экраном между первичной и вторичной обмотками.

В случае повреждения кабеля питания его необходимо заменить специально подготовленным кабелем, который можно приобрести в сервисных центрах STANLEY FATMAX.

Замена штепсельной вилки (только для Великобритании и Ирландии)

Если нужно установить штепсельную вилку:

- Осторожно снимите старую вилку.
- Подсоедините коричневый провод к терминалу фазы в вилке.
- Подсоедините синий провод к нулевому терминалу.



ВНИМАНИЕ: Заземление не требуется.

Соблюдайте инструкции по установке вилок высокого качества. Рекомендованный предохранитель: 3 А.

Использование удлинительного кабеля

Используйте удлинительный кабель только в случае крайней необходимости. Используйте только утвержденные удлинители промышленного производства, рассчитанные на мощность не меньшую, чем потребляемая мощность зарядного устройства (см. раздел «Технические характеристики»). Минимальное поперечное сечение провода электрического кабеля должно составлять 1 мм²; максимальная длина 30 м.

При использовании кабельного барабана всегда полностью разматывайте кабель.

СОХРАНИТЕ НАСТОЯЩЕ РУКОВОДСТВО

Зарядные устройства

Зарядные устройства STANLEY FATMAX не требуют регулировки и максимально просты в использовании.

Важные инструкции по технике безопасности для всех зарядных устройств

СОХРАНИТЕ НАСТОЯЩЕ РУКОВОДСТВО: В данном руководстве содержатся важные инструкции по технике безопасности для совместимых зарядных устройств (см. раздел «Технические характеристики»).

- Перед тем как использовать зарядное устройство, внимательно изучите все инструкции и предупреждающие этикетки на зарядном устройстве, батарее и инструменте, для которого используется батарея.



ВНИМАНИЕ: Опасность поражения электрическим током. Не допускайте попадания жидкости в зарядное устройство. Это может привести к поражению электрическим током.



ВНИМАНИЕ: Рекомендуется использовать устройство защитного отключения (УЗО) с током утечки до 30 мА.

⚠ ПРЕДУПРЕЖДЕНИЕ:

Опасность ожога. Для снижения риска получения травмы, заряжайте только перезаряжаемые аккумуляторы марки STANLEY FATMAX. Использование батарей другого типа может привести к взрыву, травмам и повреждениям.

⚠ ПРЕДУПРЕЖДЕНИЕ: Не позволяйте детям играть с данным инструментом.

ПРИМЕЧАНИЕ: В определенных условиях, при подключении зарядного устройства к источнику питания, может произойти короткое замыкание контактов внутри зарядного устройства посторонними материалами. Не допускайте попадания в полости зарядного устройства таких токопроводящих материалов, как стальная стружка, алюминиевая фольга или другие металлические частицы и т. п. Всегда отключайте зарядное устройство от источника питания, если в нем нет аккумуляторной батареи. Всегда отключайте зарядное устройство от сети перед тем, как приступить к чистке

- **НЕ ПЫТАЙТЕСЬ** заряжать батареи с помощью каких-либо других зарядных устройств, кроме тех, которые указаны в данном руководстве. Зарядное устройство и батарея предназначены для совместного использования.
- Эти зарядные устройства не предназначены ни для какого другого использования, помимо зарядки аккумуляторных батарей STANLEY FATMAX. Использование любых других батарей может привести к возгоранию, поражению электротоком или гибели от электрического шока.
- Не подвергайте зарядное устройство воздействию снега или дождя.
- При отключении зарядного устройства от сети всегда тяните за штепсельную вилку, а не за кабель. Это поможет избежать повреждения штепсельной вилки и розетки.
- Убедитесь в том, что кабель расположен таким образом, чтобы на него не наступили, не споткнулись об него, а также в том, что он не натянут и не может быть поврежден.
- Не используйте удлинительный кабель без крайней необходимости. Использование удлинительного кабеля неподходящего типа может привести к пожару или поражению электрическим током.
- Не ставьте на зарядное устройство никакие предметы и не устанавливайте зарядное устройство на мягкую поверхность, которая может закрыть вентиляционные отверстия и привести к перегреву. Не размещайте зарядное устройство поблизости от источников тепла.

Вентиляция зарядного устройства происходит с помощью отверстий в верхней и нижней частях корпуса.

- Не используйте зарядное устройство при наличии поврежденной кабеля или штепсельной вилки — их следует немедленно заменить.
- Не используйте зарядное устройство, если его роняли, либо если оно подвергалось сильным ударам или было повреждено каким-либо иным образом. Обратитесь в авторизованный сервисный центр.
- Не разбирайте зарядное устройство. При необходимости обратитесь в специализированный сервисный центр, если нужно провести обслуживание или ремонт инструмента. Неправильная сборка может стать причиной пожара или поражения электрическим током.
- В случае повреждения кабеля питания его необходимо немедленно заменить у производителя, в его сервисном центре или с привлечением другого специалиста аналогичной квалификации для предотвращения несчастного случая.
- Перед чисткой отключите зарядное устройство от сети. В противном случае, это может привести к поражению электрическим током. Извлечение аккумуляторной батареи не приведет к снижению степени этого риска.
- НИКОГДА не подключайте два зарядных устройства вместе.
- Зарядное устройство предназначено для работы при стандартном напряжении сети в 230 В. Не пытайтесь использовать его при каком-либо ином напряжении. Это не относится к автомобильному зарядному устройству.

Зарядка батарей (Рис. В)

1. Перед установкой батареи подключите зарядное устройство к соответствующей сетевой розетке.
2. Вставьте аккумуляторную батарею **12** в зарядное устройство, убедившись в том, что она хорошо установлена. Красный индикатор (зарядки) начнет мигать. Это означает, что процесс зарядки начался.
3. По окончании зарядки красный индикатор будет гореть непрерывно, не мигая. Теперь батарея полностью заряжена, и ее можно использовать или оставить в зарядном устройстве. Чтобы извлечь аккумуляторную батарею из зарядного устройства, нажмите и удерживайте опирающую кнопку батареи **13** и извлеките ее.

Примечание: Чтобы обеспечить максимальную производительность и срок службы ионно-литиевых батарей, перед первым использованием полностью зарядите аккумуляторную батарею.

Работа с зарядным устройством

Состояние заряда аккумулятора смотрите в приведенной ниже таблице.

Индикаторы зарядки



*Красный индикатор будет мигать, и в это время загорится желтый индикатор. После того, как батарея достигнет рабочей температуры, желтый индикатор погаснет, и зарядка продолжится.

Зарядное(ые) устройство(-а) не может(-гут) полностью зарядить неисправную аккумуляторную батарею. Зарядное устройство показывает неисправность аккумуляторной батареи, если индикатор не загорается или мигает.

ПРИМЕЧАНИЕ: Также это может указывать на проблему с зарядным устройством.

Если зарядное устройство указывает на наличие проблемы, проверьте аккумулятор и зарядное устройство в специализированном сервисном центре.

Температурная задержка

Если температура батареи слишком низкая или слишком высокая, зарядное устройство автоматически переходит в режим температурной задержки. При этом зарядка не начинается до тех пор, пока батарея не достигнет нужной температуры. Как только нужная температура будет достигнута, устройство автоматически перейдет в режим зарядки. Данная функция обеспечивает максимальный срок эксплуатации батареи.

Зарядка холодной батареи занимает больше времени, чем теплой. Аккумуляторная батарея заряжается медленнее во время цикла зарядки и максимального заряда не удастся добиться даже после того, как аккумуляторная батарея будет теплой.

Крепление на стену

Данные зарядные устройства могут крепиться на стены или устанавливаться на стол или рабочую поверхность. При креплении на стену расположите зарядное устройство в пределах досягаемости розетки и подальше от углов и других препятствий, которые могут помешать потоку воздуха. Используйте заднюю часть зарядного устройства в качестве образца для положения монтажных болтов на стене. Надежно закрепите зарядное устройство при помощи саморезов (приобретаются отдельно) длиной минимум в 25,4 мм с диаметром шляпки самореза в 7–9 мм, вкрученных в дерево до оптимальной глубины, оставляющей на поверхности примерно 5,5 мм самореза. Совместите отверстия на задней стороне зарядного устройства с выступающими саморезами и полностью вставьте их в отверстия.

Инструкции по чистке зарядного устройства



ВНИМАНИЕ: Опасность поражения электрическим током. Перед чисткой отключите зарядное устройство от сети

питания. Грязь и жир можно удалить с наружной поверхности зарядного устройства с помощью тряпки или мягкой неметаллической щетки. Не используйте воду или чистящие растворы. Не допускайте попадания жидкости внутрь инструмента; никогда не погружайте никакие из деталей инструмента в жидкость.

Аккумуляторные батареи

Важные инструкции по технике безопасности для всех батарей

При заказе запасных батарей не забудьте указать номер по каталогу и напряжение.

При покупке батарея заряжена не полностью. Перед тем, как использовать батарею и зарядное устройство, прочтите следующие инструкции по технике безопасности. Затем выполните необходимые действия для зарядки.

ПРОЧИТЕ ВСЕ ИНСТРУКЦИИ

- **Не заряжайте и не используйте батарею во взрывоопасной атмосфере, например, при наличии горючих жидкостей, газов или пыли.** Установка или извлечение батареи из зарядного устройства может привести к воспламенению пыли или газов.
- **Никогда не прилагайте больших усилий, вставляя батарею в зарядное устройство. Не вносите изменения в конструкцию батарей с целью установить их в зарядное устройство, к которому они не подходят. Это может привести к серьезным травмам.**
- **Заряжайте батареи только с помощью зарядных устройств STANLEY FATMAX.**
- **НЕ БРЫЗГАЙТЕ** на них и не погружайте в воду или другие жидкости.
- **Не храните и не используйте данный инструмент и батарею при температуре выше 40 °C (например, на внешних пристройках или на металлических поверхностях зданий в летнее время).**
- **Не сжигайте батареи, даже поврежденные или полностью отработавшие.** При попадании в огонь батареи могут взорваться. При сжигании ионно-литиевых батарей образуются токсичные вещества и газы.
- **При попадании содержимого батареи на кожу, немедленно промойте это место водой с мылом.** При попадании содержимого батареи в глаза, необходимо промыть открытые глаза проточной водой в течение 15 минут или до тех пор, пока не пройдет раздражение. При необходимости обращения к врачу, может пригодиться следующая информация: электролит представляет собой смесь жидких органических углекислых и литиевых солей.
- **При вскрытии батареи, ее содержимое может вызвать раздражение дыхательных путей.**

Обеспечьте наличие свежего воздуха. Если симптомы сохраняются, обратитесь к врачу.



ВНИМАНИЕ: Опасность ожога. Содержимое батареи может воспламениться при попадании искр или огня.



ВНИМАНИЕ: Ни в коем случае не разбирайте батарею. При наличии трещин или других повреждений батареи, не устанавливайте ее в зарядное устройство. Не роняйте батарею и не подвергайте ее ударам или другим повреждениям. Не пользуйтесь батареями или зарядным устройством, которые падали или получили какие-либо повреждения (например, после протыкания гвоздем, удара молотком или придавливания). Это может привести к удару или поражению электрическим током. Поврежденные батареи необходимо вернуть в сервисный центр для повторной переработки.



ВНИМАНИЕ: Риск воспламенения. Избегайте замыкания выводов батарей металлическими предметами во время хранения или переноски.

Например, не кладите аккумуляторные батареи в передники, карманы, ящики для инструментов, выдвижные ящики и т. п. с гвоздями, гайками, ключами и т. п.



ПРЕДУПРЕЖДЕНИЕ: Когда инструмент не используется, кладите его на бок на устойчивую поверхность в таком месте, где он не может упасть и об него нельзя споткнуться. Некоторые инструменты с аккумуляторными батареями больших размеров стоят на аккумуляторной батарее в вертикальном положении, но их легко опрокинуть.

Транспортировка



ВНИМАНИЕ: Риск воспламенения. При транспортировке аккумуляторных батарей может произойти возгорание, если терминалы аккумуляторных батарей случайно будут замкнуты электропроводящими материалами. При транспортировке аккумуляторных батарей убедитесь в том, что терминалы защищены и хорошо изолированы от материалов, контакт с которыми может привести к короткому замыканию.

Батареи STANLEY FATMAX соответствуют всем применимым правилам транспортировки, прописанным производителем, а также национальным стандартам, включающим в себя Рекомендации ООН по перевозке опасных грузов; правила международной ассоциации воздушного транспорта (IATA) по перевозке опасных грузов, правила международного морского кодекса по опасным грузам (IMDG) и Европейское соглашение о перевозке опасных грузов автотранспортом (ADR). Ионно-литиевые элементы и аккумуляторные батареи были протестированы в соответствии с разделом 38.3

Рекомендаций ООН по транспортировке опасных грузов руководства по тестам и критериям.

В большинстве случаев транспортировка аккумуляторных батарей STANLEY FATMAX не попадает под классификацию, поскольку они не являются опасными материалами Класса 9. В целом, полностью под правила Класса 9 подпадают только перевозки ионно-литиевых батарей с энергоемкостью выше 100 Ватт час (Вт ч). Энергоемкость всех ионно-литиевых аккумуляторных батарей в Ватт-часах указана на упаковке. Кроме того, из-за сложности правил, STANLEY FATMAX не рекомендует перевозку ионно-литиевых батарей по воздуху вне зависимости от их энергоемкости. Поставки инструментов с батареями (комбинированные наборы) могут перевозиться по воздуху согласно исключениям, если энергоемкость батареи не превышает 100 Вт ч.

Независимо от того, является ли перевозка исключением или выполняется по правилам, перевозчик должен уточнить последние требования к упаковке, маркировке и оформлению документации.

Информация, изложенная в данном руководстве обоснована и на момент создания данного документа может считаться точной. Но эта гарантия не является ни выраженной, ни подразумеваемой. Покупатель должен обеспечить соответствие своей деятельности всем применимым законам.

Рекомендации по хранению

1. Лучшим местом для хранения является прохладное и сухое место, защищенное от прямых солнечных лучей, высокой или низкой температуры. Для оптимальной работы и продолжительного срока службы, храните неиспользуемые аккумуляторные батареи при комнатной температуре.
2. Для достижения максимальных результатов при продолжительном хранении рекомендуется полностью зарядить батарейный комплект и хранить его в прохладном сухом месте вне зарядного устройства.

Примечание: Аккумуляторные батареи не должны храниться в полностью разряженном состоянии. Перед использованием аккумуляторная батарея требует повторной зарядки.

Маркировка на зарядном устройстве и аккумуляторной батарее

Помимо пиктограмм, используемых в данном руководстве, на зарядном устройстве и батарее имеются следующие обозначения:



Перед началом работы прочтите руководство по эксплуатации.



См. раздел «Технические характеристики», чтобы узнать время зарядки.



Не касайтесь токопроводящими предметами контактов батареи и зарядного устройства.



Не пытайтесь заряжать поврежденную батарею.



Не подвергайте электроинструмент или его элементы воздействию влаги.



Немедленно заменяйте поврежденный кабель питания.



Зарядку осуществляйте только при температуре от 4 °C до 40 °C.



Для использования внутри помещений.



LI-ION

Утилизируйте отработанные батареи безопасным для окружающей среды способом.



Заряжайте аккумуляторные батареи STANLEY FATMAX только с помощью соответствующих зарядных устройств STANLEY FATMAX. Зарядка иных аккумуляторных батарей кроме STANLEY FATMAX в зарядных устройствах STANLEY FATMAX может привести к возгоранию аккумуляторных батарей и возникновению других опасных ситуаций.



Не сжигайте аккумуляторную батарею.

Тип батареи

Модель SFMCSTB933 работает от 18 В аккумуляторной батареи.

Могут использоваться следующие типы батарей: SFMCB204, SFMCB202, SFMCB206 См. раздел «Технические характеристики» для получения более подробной информации.

Комплектация поставки

В упаковку входят:

- 1 Кордовая газонокосилка
- 1 Защитный кожух
- 4 Винта защитного кожуха
- 1 Катушка лески SA
- 1 Пластина блокировки шпинделя
- 1 Ионно-литиевая аккумуляторная батарея
- 1 Зарядное устройство
- 1 Руководство по эксплуатации
- Проверьте инструмент, детали и дополнительные принадлежности на наличие повреждений, которые могли произойти во время транспортировки.
- Перед эксплуатацией внимательно прочтите данное руководство.

Маркировка инструмента

На инструмент нанесены следующие обозначения:



Перед началом работы прочтите руководство по эксплуатации.



Используйте защитные наушники.



Используйте защитные очки.



Не подвергайте инструмент воздействию дождя или высокой влажности и не оставляйте снаружи во время дождя.



Выключите инструмент. Перед выполнением любых работ по обслуживанию инструмента, извлекайте из инструмента аккумуляторную батарею.



Держите окружающих и животных на расстоянии не как минимум 6 м от места работ.



Держите посторонних лиц на безопасном расстоянии.



Гарантированная акустическая мощность по директиве 2000/14/ЕС.

Местоположение кода даты (Рис. А)

Код даты **18**, который также включает год изготовления, напечатан на корпусе.

Пример:

2021 XX XX
Год производства

Описание (Рис. А)

⚠ ВНИМАНИЕ: *Никогда не вносите изменения в конструкцию электроинструмента или какой-либо его части. Это может привести к повреждению или травме.*

- | | |
|---|----------------------------------|
| 1 Курковый пусковой выключатель с регулировкой скорости | 6 Верхняя штанга газонокосилки |
| 2 Кнопка блокировки пускового выключателя | 7 Нижняя штанга газонокосилки |
| 3 Регулятор скорости | 8 Кронштейн штанги |
| 4 Дополнительная рукоятка | 9 Защитный кожух |
| 5 Корпус электродвигателя | 10 Корпус катушки |
| | 11 Корпус аккумуляторной батареи |

- 12 Аккумуляторная батарея
- 14 Рукоятка
- 13 Отпирающая кнопка батареи

Назначение

Данная кордовая газонокосилка предназначена для профессиональных работ по скашиванию.

НЕ ИСПОЛЬЗУЙТЕ в условиях повышенной влажности или поблизости от легковоспламеняющихся жидкостей или газов.

Он не предназначен для подрезки кромок газонов.

НЕ РАЗРЕШАЙТЕ детям прикасаться к инструменту.

Использование инструмента неопытными пользователями должно происходить под контролем опытного лица.

- **Малолетние дети и люди с ограниченными физическими возможностями.** Этот инструмент не предназначен для использования малолетними детьми или людьми с ограниченными физическими возможностями кроме как под контролем лица, отвечающего за их безопасность.
- Данный инструмент не предназначен для использования лицами (включая детей) с ограниченными физическими, психическими и умственными возможностями, не имеющими опыта, знаний или навыков работы с ним, если они не находятся под наблюдением лица, ответственного за их безопасность. Никогда не оставляйте детей без присмотра с этим инструментом.

СБОРКА И РЕГУЛИРОВКА

⚠ ВНИМАНИЕ: *Чтобы снизить риск получения серьезной травмы, необходимо выключить инструмент и отсоединить батарею, прежде чем выполнять какую-либо регулировку или удалять/устанавливать какие-либо насадки или дополнительные принадлежности. Случайный запуск может привести к травме.*

⚠ ВНИМАНИЕ: *Используйте только зарядные устройства и аккумуляторные батареи марки STANLEY FATMAX.*

Установка и извлечение аккумуляторной батареи из инструмента (Рис. G)

ПРИМЕЧАНИЕ: Убедитесь в том, что аккумуляторная батарея **12** полностью заряжена.

Установка батареи в инструмент

1. Совместите аккумуляторную батарею **12** с бороздками внутри инструмента (Рис. G).
2. Вдвигайте батарею в инструмент, пока она плотно не встанет на место, и убедитесь, что услышали щелчок замка.

Извлечение батареи из инструмента

1. Нажмите на отпирающую кнопку батареи **13** и извлеките аккумуляторную батарею из рукоятки (Рис. G).
2. Вставьте батарею в зарядное устройство, как указано в разделе данного руководства, посвященном зарядному устройству.

Датчик уровня заряда аккумуляторной батареи (Рис. G)

Некоторые аккумуляторные батареи STANLEY FATMAX оснащены датчиком заряда, который включает в себя три зеленых светодиодных индикатора, показывающих уровень оставшегося заряда аккумуляторной батареи.

Для включения датчика заряда, нажмите и удерживайте кнопку датчика заряда **32**. Загорятся три зеленых светодиода, которые показывают уровень оставшегося заряда. Когда уровень заряда аккумуляторной батареи упадет ниже эксплуатационного предела, расходомер погаснет, а батарее нужно будет зарядить.

ПРИМЕЧАНИЕ: Датчик заряда является индикатором только лишь уровня заряда, оставшегося в батарее. Он не является индикатором работоспособности инструмента и его показания могут меняться в зависимости от компонентов продукта, температуры и области применения.

Установка узла катушки (Рис. B, C)

Используйте сменные катушки STANLEY FATMAX STZST1169.

1. Установите пластину шпинделя **22** на шпindelь **23**, таким образом, чтобы контргайка на шпинделе находилась на основании пластины шпинделя.
2. Поворачивайте пластину шпинделя до тех пор, пока отверстие **24** не совпадет с меткой **25** на корпусе. Вставьте входящий в комплект поставки стержень сквозь метку в отверстие, чтобы не дать шпинделю вращаться.
3. Удерживая стержень на месте, навинтите новый корпус катушки (10) с крышкой против часовой стрелки. Плотно затяните новую катушку на шпинделе.

Установка защитного кожуха (Рис. D, E)

⚠ ВНИМАНИЕ: *Снимать кожух запрещается. Это может привести к повреждению или травме.*

⚠ ВНИМАНИЕ: *НИКОГДА НЕ ИСПОЛЬЗУЙТЕ ИНСТРУМЕНТ БЕЗ НАДЛЕЖАЩИМ ОБРАЗОМ УСТАНОВЛЕННОГО КОЖУХА. Защитный кожух должен быть надежно закреплен на инструменте для защиты пользователя.*

1. Установите кожух **9** на корпус двигателя **5**.
2. Вставьте 2 винта кожуха **15** и надежно затяните их с помощью крестовой отвертки.

ПРИМЕЧАНИЕ: При желании для дополнительной защиты имеется расширенный защитный кожух (продается

отдельно). Используйте сменный защитный кожух STANLEY FATMAX, № детали N722862.

Установка дополнительной рукоятки (Рис. F)

1. Установите дополнительную рукоятку (4) на верхнюю часть верхней штанги газонокосилки **6**, как показано на Рисунке F.
2. Вставьте кронштейн **30** дополнительной рукоятки в нижнюю часть рукоятки.
3. Вкрутите болты рукоятки **31** сквозь рукоятку и в кронштейн сверху.
4. Затяните болты рукоятки. Обеспечьте надежность крепления рукоятки, закрыв зажим рукоятки **29**.
5. Чтобы отрегулировать положение дополнительной рукоятки, откройте зажим рукоятки и двигайте рукоятки вверх или вниз по штанге до нужного положения. Закройте зажим, чтобы зафиксировать рукоятку на месте.

Подготовка режущей лески (Рис. A)

При поставке режущая леска прикреплена к корпусу катушки **10** клейкой лентой.

- Удалите клейкую ленту, которой режущая леска прикреплена к корпусу катушки.

ЭКСПЛУАТАЦИЯ

Инструкции по эксплуатации

⚠ ВНИМАНИЕ: *Всегда соблюдайте правила техники безопасности и применимые законы.*

⚠ ВНИМАНИЕ: *Чтобы снизить риск получения серьезной травмы, необходимо выключить инструмент и отсоединить батарею, прежде чем выполнять какую-либо регулировку или удалять/устанавливать какие-либо насадки или дополнительные принадлежности. Случайный запуск может привести к травме.*

Правильное положение рук (Рис. A, H)

⚠ ВНИМАНИЕ: *Во избежание риска получения серьезных травм, ВСЕГДА используйте правильное положение рук как показано на рисунке.*

⚠ ВНИМАНИЕ: *Во избежание риска получения серьезных травм, ВСЕГДА крепко держите инструмент, предупреждая внезапную резкую отдачу.*

При правильном расположении рук одна рука находится на основной рукоятке **14**, а другая на дополнительной рукоятке **4**.

Включение и выключение газонокосилки (Рис. A)

Чтобы включить инструмент, нажмите на кнопку блокировки пускового выключателя **2**, затем на курковый пусковой выключатель **1**. После включения инструмента можно отпустить кнопку блокировки пускового выключателя. Чтобы выключить инструмент, отпустите курковый пусковой выключатель.

Регулятор скорости (Рис. A)

Данная кордовая газонокосилка позволяет выбрать более эффективную скорость для увеличения рабочего цикла при длительной работе или увеличить скорость для высокомоощного скашивания.

Чтобы увеличить рабочий цикл, сдвиньте регулятор скорости к корпусу батареи **11** в положение «LO». Данный режим лучше всего подходит для объемных задач, для выполнения которых требуется больше времени.

Чтобы увеличить скорость газонокосилки, сдвиньте регулятор скорости **3** вперед по направлению к дополнительной рукоятке **4** в положение «H». Данный режим больше подходит для густой растительности и для работ, где нужно больше оборотов в минуту.

ПРИМЕЧАНИЕ: В режиме «H» длительность рабочего цикла будет снижена по сравнению с режимом «LO».

Кошение (Рис. I, J)

Включив газонокосилку, наклоните ее и водите из стороны в сторону, как показано на Рисунке I.

Сохраняйте дистанцию минимум в 610 мм от кожуха до ваших ног, как показано на Рисунке J.

⚠ ВНИМАНИЕ: *Держите вращающуюся леску примерно параллельно земле (наклоняя ее не более, чем на 30°). Данная газонокосилка не предназначена для обработок кромок газонов. НЕ НАКЛОНЯЙТЕ газонокосилку так, чтобы леска вращалась под прямым углом к земле. Летящие предметы могут привести к серьезным травмам.*

Ударный механизм подачи лески

Ваша газонокосилка использует спиральную леску диаметром 2 мм с гладкими скругленными краями. Режущая леска будет быстрее изнашиваться и требовать дальнейшей подачи при скашивании травы вдоль тротуаров и других абразивных поверхностей, или при скашивании более тяжелых сорняков.

По мере использования газонокосилки леска будет укорачиваться из-за износа. Аккуратно ударьте газонокосилкой о землю при работе на нормальной скорости, чтобы подать леску.

ПРИМЕЧАНИЕ: Подача лески за пределы ширины скашивания в 330 мм негативно повлияет на производительность, срок работы и срок эксплуатации

газонокосилки из-за возможности повредить электродвигатель. Это может аннулировать гарантию.

Полезные советы по скашиванию (Рис. М)

- Выполняйте скашивание кончиком лески, не давите головкой катушки на нескошенную траву.
- Проволочные заборы и частокотлы дополнительно изнашивают леску и могут даже порвать леску. Каменные и кирпичные стены, бордюры и дерево могут быстро изнашивать леску.
- Не протаскивайте крышку катушки **28** по земле или другим поверхностям.
- Косите высокую траву сверху вниз и не превышайте высоту в 305 мм.
- Держите газонокосилку наклоненной в сторону скашиваемой области, так как это наилучшее положение для кошения.
- Газонокосилка скашивает при передвижении инструмента слева направо. Это помогает предотвратить отбрасывание мусора в сторону оператора.
- Избегайте деревьев и кустов. Древесная кора, деревянные пояски, обшивки стен и столбы заборов легко повреждаются леской.

Загрузка новой режущей лески (Рис. К–М)

⚠ ВНИМАНИЕ: *Чтобы снизить риск получения серьезной травмы, необходимо выключить инструмент и извлечь батарею, прежде чем выполнять какую-либо регулировку либо удалять/устанавливать какие-либо дополнительные приспособления или принадлежности, заменять леску или выполнять чистку. Случайный запуск может привести к травме.*

⚠ ПРЕДУПРЕЖДЕНИЕ: *Используйте только сменные катушки и леску STANLEY FATMAX. Использование лески от каких-либо других производителей может снизить рабочие характеристики, повредить газонокосилку или повлечь за собой травмы. Ваша газонокосилка использует спиральную леску диаметром 2 мм с гладкими скругленными краями. Не используйте лески других размеров. Это может снизить эффективность, повредить инструмент или привести к травмам.*

⚠ ПРЕДУПРЕЖДЕНИЕ: *Если леска выступает за нож для обрезки лески, то во избежание повреждения инструмента обрежьте ее так, чтобы она только доходила до ножа.*

Используйте только сменную леску STANLEY FATMAX.

1. Извлеките аккумуляторную батарею.
2. Отрежьте участок лески 2 мм длиной до 6 мм.

3. Совместите отверстия в корпусе катушки **21** со стрелкой **18** на крышке катушки **20**, как показано на Рисунке К.
4. Проденьте один конец лески сквозь отверстие. Доведите леску до второго отверстия и протягивайте ее сквозь него до тех пор, пока длина лески с обеих сторон корпуса катушки не выровняется, как показано на Рисунке Л.
5. Удерживайте крышку катушки **28** на месте одной рукой. Наматывайте леску на катушку второй рукой, поворачивая крышку катушки **20** против часовой стрелки. Продолжайте наматывать до тех пор, пока с каждой стороны корпуса катушки не останется по 101 мм лески.

ТЕХНИЧЕСКОЕ ОБСЛУЖИВАНИЕ

Ваш инструмент STANLEY FATMAX имеет длительный срок эксплуатации и требует минимальных затрат на техобслуживание. Для длительной безотказной работы необходимо обеспечить правильный уход за инструментом и его регулярную чистку.

⚠ ВНИМАНИЕ: *Чтобы снизить риск получения серьезной травмы, необходимо выключить инструмент и отсоединить батарею, прежде чем выполнять какую-либо регулировку или удалять/устанавливать какие-либо насадки или дополнительные принадлежности. Случайный запуск может привести к травме.*

Зарядное устройство и аккумуляторные батареи не подлежат ремонту.



Смазка

Вашему инструменту не требуется дополнительная смазка.



Чистка

⚠ ВНИМАНИЕ: *Выдувайте грязь и пыль из корпуса сухим сжатым воздухом по мере видимого скопления грязи внутри и вокруг вентиляционных отверстий. Надевайте защитные очки и пылезащитную маску при выполнении этих работ.*

⚠ ВНИМАНИЕ: *Никогда не пользуйтесь растворителями или другими сильнодействующими химическими веществами для чистки неметаллических частей инструмента. Эти химикаты могут повредить структуру материала, используемого для производства таких деталей. Используйте ткань, смоченную в мягком мыльном растворе. Не допускайте попадания жидкости внутрь инструмента; никогда не*

погружайте никакие из деталей инструмента в жидкость.

Полезные советы по чистке (Рис. N)

- Следите, чтобы отверстия воздухозаборника **27** оставались чистыми во избежание перегрева.
- Леска газонокосилки со временем может иссохнуть.
- Пластмассовые части можно чистить мягким мыльным раствором и влажной тряпкой.
- Нож для обрезки лески на краю кожуха может со временем затупиться. Рекомендуется периодически затачивать нож напильником.

Сменные дополнительные принадлежности

⚠ ВНИМАНИЕ: *Чтобы снизить риск получения серьезной травмы, необходимо выключить инструмент и извлечь батарею, прежде чем выполнять какую-либо регулировку либо удалять/устанавливать какие-либо дополнительные приспособления.*

⚠ ВНИМАНИЕ: *Использование каких-либо дополнительных принадлежностей, не рекомендованных STANLEY FATMAX для использования с этим инструментом, может быть опасным.*

⚠ ВНИМАНИЕ: *Не используйте лезвия или какие-либо другие дополнительные принадлежности или насадки, за исключением рекомендованных STANLEY FATMAX с данной газонокосилкой. Это может повлечь за собой серьезные травмы и повреждения изделия.*

При замене лески используйте леску диаметром 2 мм. Используйте сменную леску STANLEY FATMAX, № модели STZST1226. Лески других размеров могут привести к снижению производительности и повреждениям газонокосилки.

Дополнительные принадлежности

⚠ ВНИМАНИЕ: *В связи с тем, что дополнительные принадлежности других производителей, кроме STANLEY FATMAX, не проходили проверку на совместимость с данным изделием, их использование может представлять опасность. Во избежание травм, с данным инструментом следует использовать только дополнительные принадлежности, рекомендованные STANLEY FATMAX.*

Проконсультируйтесь со своим продавцом для получения дополнительной информации.

Защита окружающей среды



Отдельная утилизация. Изделия и аккумуляторные батареи с данным символом на маркировке запрещается утилизировать с обычными бытовыми отходами.

Изделия и аккумуляторные батареи содержат материалы, которые могут быть извлечены или переработаны, снижая потребность в исходном сырье. Пожалуйста, утилизируйте электрические изделия и аккумуляторные батареи в соответствии с местными нормами. Дополнительная информация доступна по адресу www.2helpU.com.

Перезаряжаемая аккумуляторная батарея

Данную аккумуляторную батарею с длительным сроком эксплуатации необходимо перезаряжать, когда она перестает обеспечивать питание, необходимое для выполнения определенных работ. По окончании срока эксплуатации ее следует утилизировать, соблюдая при этом необходимые меры по защите окружающей среды:

- Полностью разрядите батарею до конца и извлеките ее из инструмента.
- Ионно-литиевые аккумуляторные батареи подлежат вторичной переработке. Сдайте их нашему дилеру или в местный центр вторичной переработки. В этих пунктах батареи будут подвергнуты повторной переработке или правильной утилизации.

Гарантия

1 год гарантии

На все электроинструменты STANLEY FATMAX предоставляется стандартная гарантия сроком 1 год. В том маловероятном случае, если ваш электроинструмент станет неисправным из-за дефектных материалов или изготовления в течение 1 года с момента покупки, STANLEY гарантирует бесплатную замену или ремонт всех дефектных деталей или, по нашему усмотрению, бесплатную замену инструмента.

3 года гарантии

Зарегистрируйте электроинструмент STANLEY FATMAX в течение 4 недель с момента покупки и получите дополнительную 2-летнюю гарантию. При регистрации электроинструмента STANLEY гарантирует бесплатную замену или ремонт всех дефектных деталей в том маловероятном случае, если ваш электроинструмент станет неисправным из-за дефектных материалов или изготовления, либо, по нашему усмотрению, бесплатно заменит инструмент.



Приложение к руководству по эксплуатации электрооборудования для определения месяца производства по номеру текущей календарной недели года

Электрооборудование торговых марок "Dewalt", "Stanley", "Stanley FatMAX", "BLACK+DECKER".

Директивы 2014/30/EU ЕВРОПЕЙСКОГО ПАРЛАМЕНТА И СОВЕТА от 26 февраля 2014 г. "О гармонизации законодательства Государств-членов ЕС в области электромагнитной совместимости", 2006/42/ЕС ЕВРОПЕЙСКОГО ПАРЛАМЕНТА И СОВЕТА от 17 мая 2006 г. "О машинах и оборудовании"; 2014/35/EU ЕВРОПЕЙСКОГО ПАРЛАМЕНТА И СОВЕТА от 26 февраля 2014 г. "О гармонизации законодательства государств-членов в области размещения на рынке электрооборудования, предназначенного для использования в определенных пределах напряжения". Серийный выпуск.

ТОВАР СЕРТИФИЦИРОВАН

Орган по сертификации "РОСТЕСТ- Москва", Адрес: 119049, г. Москва, улица Житная, д. 14, стр. 1; 117418, Москва, Нахимовский просп., 31 (фактический), Телефон: (499) 1292311, (495) 6682893, Факс: (495) 6682893, E-mail: office@rostest.ru

Изготовитель: Изготовитель: Блэк энд Деккер Холдингс ГмбХ, Германия, 65510, Идштайн, ул. Блэк энд Деккер, 40, тел. +496126212790.

Уполномоченное изготовителем юр.лицо:

ООО "Стэнли Блэк энд Деккер", 117485, город Москва, улица Обручева, дом 30/1, строение 2
Телефон: + 7 (495) 258-3981, факс: + 7 (495) 258-3984, E-mail: inbox@dewalt.com

Сведения о импортере указаны в сопроводительной документации и/или на упаковке

Хранение.

Необходимо хранить в сухом месте, вдали от источников повышенных температур и воздействия солнечных лучей. При хранении необходимо избегать резкого перепада температур. Хранение без упаковки не допускается

Срок службы.

Срок службы изделия составляет 5 лет. Не рекомендуется к эксплуатации по истечении 5 лет хранения с даты изготовления без предварительной проверки.

Дата изготовления (код даты) указана на корпусе инструмента.

Код даты, который также включает год изготовления, отштампован на поверхности корпуса изделия.

Пример:

2014 46 XX, где 2014 –год изготовления, 46–неделя изготовления.

Определить месяц изготовления по указанной неделе изготовления можно согласно приведенной ниже таблице.

Транспортировка.

Категорически не допускается падение и любые механические воздействия на упаковку при транспортировке.

При разгрузке/погрузке не допускается использование любого вида техники, работающей по принципу зажима упаковки.

Перечень критических отказов, возможные ошибочные действия персонала.

Не допускается эксплуатация изделия:

- При появлении дыма из корпуса изделия
- При поврежденном и/или оголенном сетевом кабеле
- при повреждении корпуса изделия, защитного кожуха, рукоятки
- при попадании жидкости в корпус
- при возникновении сильной вибрации
- при возникновении сильного искрения внутри корпуса

Критерии предельных состояний.

- При поврежденном и/или оголенном сетевом кабеле
- при повреждении корпуса изделия

Месяц	Январь	Февраль	Март	Апрель	Май	Июнь	Июль	Август	Сентябрь	Октябрь	Ноябрь	Декабрь	Год производства
Неделя	1	5	9	14	18	23	27	31	36	40	44	49	2018
	2	6	10	15	19	24	28	32	37	41	45	50	
	3	7	11	16	20	25	29	33	38	42	46	51	
	4	8	12	17	21	26	30	34	39	43	47	52	
			13		22			35			48		
Неделя	1	6	10	14	18	23	27	31	36	40	45	49	2019
	2	7	11	15	19	24	28	32	37	41	46	50	
	3	8	12	16	20	25	29	33	38	42	47	51	
	4	9	13	17	21	26	30	34	39	43	48	52	
	5					22			35		44		
Неделя	1	6	10	14	19	23	27	32	36	40	45	49	2020
	2	7	11	15	20	24	28	33	37	41	46	50	
	3	8	12	16	21	25	29	34	38	42	47	51	
	4	9	13	17	22	26	30	35	39	43	48	52	
	5				18			31		44			
Неделя	2	6	10	14	19	23	27	32	36	41	45	49	2021
	3	7	11	15	20	24	28	33	37	42	46	50	
	4	8	12	16	21	25	29	34	38	43	47	51	
	5	9	13	17	22	26	30	35	39	44	48	52	
					18			31		40		1	
Неделя	2	6	10	15	19	23	28	32	36	41	45	49	2022
	3	7	11	16	20	24	29	33	37	42	46	50	
	4	8	12	17	21	25	30	34	38	43	47	51	
	5	9	13	18	22	26	31	35	39	44	48	52	
				14			27		40			1	

STANLEY
FATMAX

ГАРАНТИЙНЫЙ ТАЛОН

3 ГОДА
ГАРАНТИИ

1. Поздравляем Вас с покупкой высококачественного изделия STANLEY FatMAX и выражаем признательность за Ваш выбор.
2. При покупке изделия требуйте проверки его комплектности и исправности в Вашем присутствии, инструкцию по эксплуатации и заполненный Гарантийный талон на русском языке. В гарантийном талоне должны быть внесены: модель, дата продажи, серийный номер, дата производства инструмента; название, печать и подпись торговой организации. При отсутствии у Вас правильно заполненного Гарантийного талона, а также несоответствия указанных в нем данных, мы будем вынуждены отклонить Ваши претензии по качеству данного изделия.
3. Во избежание недоразумений, убедительно просим Вас перед началом работы с изделием внимательно ознакомиться с инструкцией по его эксплуатации. Правовой основой настоящих гарантийных условий является действующее Законодательство. Гарантийный срок на данное изделие составляет 36 месяцев и исчисляется со дня продажи. В случае устранения недостатков изделия, гарантийный срок продлевается на период его нахождения в ремонте. Срок службы изделия составляет 5 лет со дня продажи.
4. В случае возникновения каких-либо проблем в процессе эксплуатации изделия рекомендуем Вам обращаться только в уполномоченные сервисные центры STANLEY FatMAX, адреса и телефоны которых Вы сможете найти на сайте www.2helpU.com или узнать в магазине. Наши сервисные станции - это не только квалифицированный ремонт, но и широкий ассортимент запчастей и принадлежностей.
5. Производитель рекомендует проводить периодическую проверку и техническое обслуживание изделия в уполномоченных сервисных центрах.
6. Наши гарантийные обязательства распространяются только на неисправности, выявленные в течение гарантийного срока и вызванные дефектами производства и / или материалов.
7. Гарантийные условия не распространяются на неисправности изделия, возникшие в результате:
 - 7.1. Несоблюдения пользователем предписаний инструкции по эксплуатации изделия, применения изделия не по назначению, неправильного хранения, использования принадлежностей, расходных материалов и запчастей, не предусмотренных производителем.
 - 7.2. Механического повреждения (сколы, трещины и разрушения) внутренних и внешних деталей изделия, основных и вспомогательных рукояток, сетевого электрического кабеля, вызванного внешним ударным или любым иным воздействием.
 - 7.3. Попадания в вентиляционные отверстия и проникновение внутрь изделия посторонних предметов, материалов или веществ, не являющихся отходами, сопровождающими применение изделия по назначению, такими как: стружка, опилки, песок, и пр.
 - 7.4. Воздействия на изделие неблагоприятных атмосферных и иных внешних факторов, таких как дождь, снег, повышенная влажность, нагрев, агрессивные среды, несоответствие параметров питающей электросети, указанных на инструменте.
 - 7.5. Стихийного бедствия. Повреждение или утрата изделия, связанное с непредвиденными бедствиями, стихийными явлениями, в том числе вследствие действия непреодолимой силы (пожар, молния, потоп и другие природные явления), а также вследствие перепадов напряжения в электросети и других причин, которые находятся вне контроля производителя.
8. Гарантийные условия не распространяются:
 - 8.1. На инструменты, подвергавшиеся вскрытию, ремонту или модификации вне уполномоченного сервисного центра.
 - 8.2. На детали и узлы, имеющие следы естественного износа, такие как: приводные ремни и колеса, угольные щетки, смазка, подшипники, зубчатое зацепление редукторов, резиновые уплотнения, сальники, направляющие ролики, муфты сцепления, бойки, толкатели, стволы, и т.п.
 - 8.3. На сменные и расходные части: цанги, зажимные гайки и фланцы, фильтры, ножи, шлифовальные подошвы, цепи, звездочки, пыльные шины, защитные кожухи, пилки, абразивы, пыльные и абразивные диски, фрезы, сверла, буры и т.п.
 - 8.4. На неисправности, возникшие в результате перегрузки инструмента (как механической, так и электрической), повлекшей выход из строя одновременно двух и более деталей и узлов, таких как ротора и статора, обеих обмоток статора, ведомой и ведущей шестерни редуктора или других узлов и деталей. К безусловным признакам перегрузки изделия относятся, помимо прочего: появление цветов побелости, деформация или оплавление деталей и узлов изделия, потемнение или обугливание изоляции проводов электродвигателя под воздействием высокой температуры.

Товар получен в исправном состоянии, без видимых повреждений, в полной комплектации, проверен в моем присутствии, претензий по качеству товара не имею. С условиями гарантийного обслуживания ознакомлен и согласен.

Ф. И. О. и подпись покупателя _____

Уважаемые клиенты, наша сеть авторизованных сервисных центров постоянно расширяется. Актуальную информацию об обслуживании в интересующем вас городе вы можете узнать на сайте

www.2helpU.com

Информация об инструменте

Наименование инструмента	
Модель	
Наименование продавца	
Дата продажи	

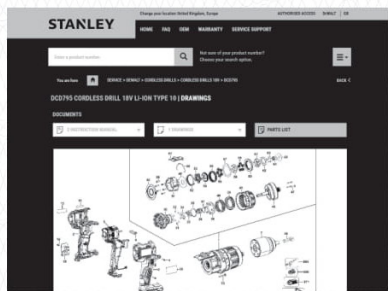
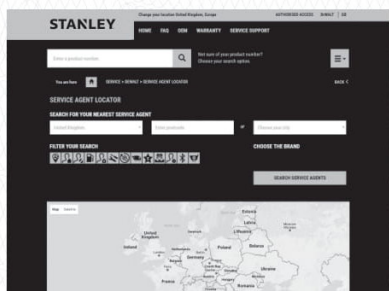
М.П.
Продавца

Серийный номер / Дата производства

Инструмент	
Зарядное устройство	
Аккумулятор 1	
Аккумулятор 2	

На сайте www.2helpU.com доступны следующие функции:

- Список авторизованных сервисных центров
- Удобный поиск ближайшего сервисного центра
- Руководство по эксплуатации
- Технические характеристики
- Список деталей и запасных частей
- Схема сборки инструмента



**Также данную информацию вы можете
получить, позвонив по телефону:
8(800) 1000 876**

ОТМЕТКА О ПРОВЕДЕНИИ СЕРВИСНОГО ОБСЛУЖИВАНИЯ

№1	№2	№3	№4
№ заказа	№ заказа	№ заказа	№ заказа
Дата поступления	Дата поступления	Дата поступления	Дата поступления
Дата ремонта	Дата ремонта	Дата ремонта	Дата ремонта
Печать и подпись сервисного центра	Печать и подпись сервисного центра	Печать и подпись сервисного центра	Печать и подпись сервисного центра

TRIMMER BRUSHLESS

SFMCSTB933

Вітаємо вас!

Ви обрали інструмент STANLEY FATMAX. Великий досвід компанії у розробці інструментів та постійна робота над їхнім удосконаленням роблять компанію STANLEY FATMAX надійним партнером професійних користувачів.

Технічні характеристики

SFMCSTB933		
Напруга	$V_{\text{в.дос. струму}}$	18 В
Великобританія та Ірландія	$V_{\text{в.дос. струму}}$	18 В
Тип		1
об/хв	об/хв	4600-6000
Розмір смуги скосу	мм	330
Маса (без акумулятора)	кг	3,1

Значення рівня шуму та вібрації (триаксильна векторна сума). Режим тримера відповідно до EN50636-2-91:

L_{PA} (рівень тиску звукового випромінювання)	дБ(A)	79,5
L_{WA} (рівень звукової потужності)	дБ(A)	93,0
K (похибка для даного рівня звукового тиску)	дБ(A)	1,5
Значення вібрації $a_h =$		2,8
Похибка K =	m/s^2	1,5

Значення вібрації, що наведене в цьому документі, було виміряне згідно зі стандартизованим тестом, викладеним в EN50636, та може використовуватись для порівняння інструментів. Це значення вібрації можна також використовувати для попередньої оцінки впливу вібрації.

⚠ УВАГА! *Задеклароване значення вібрації відповідає вимогам цільового використання інструмента. Однак якщо інструмент використовується для виконання інших завдань, з іншими витратними матеріалами/насадками або не обслуговується відповідно до вимог, значення вібрації може відрізнятись. Це може значно збільшити рівень впливу протягом усього періоду роботи.*

Оцінка рівня впливу вібрації має враховувати час вимкнень інструмента та роботу інструмента без виконання певних завдань. Це може значно зменшити рівень впливу протягом усього періоду роботи.

Визначення додаткових заходів безпеки для захисту оператора від впливу вібрації: технічне обслуговування інструмента та приладдя, утримання рук у теплі, організація режиму роботи.

Акумулятор Кат. №	Вихідна напруга	Зарядний пристрій SFMCB12
SFMCB202	18	X
SFMCB204	18	X
SFMCB206	18	X

"X" означає, що акумулятор сумісний із зазначеним зарядним пристроєм. Більш докладну інформацію дивіться у керівництві з експлуатації.

Декларація про відповідність ЄС

Директива для механічного обладнання



Безщітковий тример SFMCSTB933

Компанія STANLEY FATMAX заявляє, що продукти, описані у розділі «Технічні дані» відповідають вимогам:

2006/42/EC, EN60335-1:2012 + A11:2014, EN50636-2-91:2014.

2000/14/EC, тример для газонів, $L \leq 50$ см, Додаток VI

DEKRA Certification B.V.

Meander 1051 / P.O. box 5185

6525 MJ ARNHEM / 6802 ED

ARNHEM, Нідерланди

Ідентифікаційний № уповноваженого органу: 0344

Рівень акустичної потужності відповідно до 2000/14/EC

(Стаття 12, Додаток III, $L \leq 50$ см):

L_{PA} (вимірний рівень звукового тиску) 79,5 дБ(A)

похибка (K) = 1,5 дБ(A)

L_{WA} (гарантована акустична потужність) 96 дБ(A)

Ці продукти також відповідають вимогам Директив 2014/30/EU та 2011/65/EU. Для отримання додаткової інформації, будь ласка, зверніться до компанії STANLEY FATMAX за наведеною нижче адресою або прочитайте інформацію на зворотному боці цього посібника.

Особа, яка підписалася нижче, несе відповідальність за упорядкування файлу технічних характеристик та робить цю заяву від компанії STANLEY FATMAX.

A. Сміт (A. Smith)

Технічний директор

STANLEY FATMAX Europe, Egide Walschaertsstraat14-18,

2800 Mechelen, Бельгія

2019-10-09

**УВАГА!**

Уважно прочитайте керівництво з експлуатації для зниження ризику отримання травм.

Позначення: Інструкції з техніки безпеки

Умовні позначення, наведені нижче, описують рівень важливості кожної попереджувальної вказівки. Прочитайте керівництво та зверніть увагу на символи, наведені нижче.

**НЕБЕЗПЕЧНО!**

Вказує на безпосередню загрозу, ігнорування якої **приведе до смерті або серйозної травми**.

**УВАГА!**

Указує на потенційну загрозу, яка, якщо її не уникнути, **може** призвести до смерті або серйозної травми.

**ОБЕРЕЖНО!**

Указує на потенційну загрозу, яка, якщо її не уникнути, **може** призвести до травми незначної або середньої важкості.

ПРИМІТКА. Указує на ситуацію, **не пов'язану з особистою травмою**, яка, якщо її не уникнути, **може** призвести до пошкодження майна.



Вказує на ризик ураження електричним струмом.



Вказує на ризик виникнення пожежі.

ІНСТРУКЦІЇ З ТЕХНІКИ БЕЗПЕКИ**УВАГА!**

При використанні пристроїв з живленням від електричної мережі необхідно дотримуватись основних заходів безпеки, включаючи наступні, щоб знизити ризик виникнення пожежі, ураження електричним струмом, травм та матеріальних ушкоджень.

**УВАГА!**

При використанні пристрою необхідно дотримуватись правил техніки безпеки. Перед використанням пристрою уважно прочитайте цей посібник для забезпечення власної безпеки та безпеки сторонніх людей. Будь ласка, зберігайте інструкції в безпечному місці для використання в майбутньому.

- Перед роботою з пристроєм уважно прочитайте це керівництво.
- У цьому керівництві описано використання за призначенням. Використання будь-якого приладдя насадок чи додаткового обладнання або виконання операцій з приладом, не описаних у цьому посібнику, може призвести до тілесних ушкоджень.
- Зберігайте це керівництво для отримання інформації в подальшому.

ВАЖЛИВО!

**УВАЖНО ПРОЧИТАЙТЕ ПЕРЕД ВИКОРИСТАННЯМ
ЗБЕРІГАЙТЕ ДЛЯ ОТРИМАННЯ ІНФОРМАЦІЇ В
ПОДАЛЬШОМУ**

ПРАВИЛА БЕЗПЕЧНОЇ ЕКСПЛУАТАЦІЇ**Навчання**

- a) **Уважно прочитайте інструкції.** Ознайомтесь в правилами управління та відповідного використання пристрою.
- b) **У жодному разі не дозволяйте дітям та особам, які не знають усіх інструкцій, використовувати цей пристрій.** За місцевим законодавством може обмежуватись вік оператора пристрою.
- c) **Пам'ятайте, що оператор або користувач відповідає за нещасні випадки та небезпеку щодо інших людей або їхнього майна.**

Підготовка до роботи

- a) **Перед використанням завжди візуально оглядайте пристрій на наявність пошкоджень, відсутність або невірну установку запобіжників та захисних пристроїв.**
- b) **У жодному разі не використовуйте пристрій, коли поряд знаходяться інші люди, особливо діти, або домашні тварини.**

Експлуатація

- a) **При роботі з інструментом завжди використовуйте засоби захисту очей та міцні черевки.**
- b) **Уникайте використання пристрою у погану погоду, особливо коли є ризик блискавки.**
- c) **Використовуйте цей пристрій лише вдень або за умови хорошого штучного освітлення.**
- d) **Ніколи не використовуйте інструмент із пошкодженими запобіжниками чи захисними пристроями або без них.**
- e) **Вмикайте двигун, коли руки та ноги знаходяться на відстані від ріжучих деталей.**
- f) **Завжди відключайте пристрій від мереж живлення (тобто витягайте вилку з розетки, витягайте пристрій тимчасового відключення або акумулятор):**
 - коли пристрій залишається без нагляду;
 - перед очищенням після забивання;
 - перед перевіркою, очищенням або роботою з пристроєм;
 - після зіткнення із стороннім предметом;
 - коли пристрій починає занадто сильно вібрувати.
- g) **Будьте обережні, щоб не завдати шкоди ріжучими деталями ногам та рукам.**
- h) **Стежте за тим, щоб вентиляційні отвори були чистими.**

- i) Заберіть предмети, які можуть спричинити віддачу, наприклад гілки та каміння.
- j) Перевірте на наявність незатяжених кріпильних деталей та пошкоджених елементів, а також на наявність тріщин у насадках для різання.

Технічне обслуговування та зберігання

- a) Відключайте пристрій від мереж живлення (тобто витягайте вилку з розетки, витягайте пристрій тимчасового відключення або акумулятор) перед технічним обслуговуванням та очищенням.
- b) Використовуйте лише ті замініні деталі та аксесуари, які рекомендовані виробником.
- c) **Регулярно перевіряйте пристрій та виконуйте технічне обслуговування.** Надавайте пристрій для ремонту лише в авторизований сервісний центр.
- d) Коли пристрій не використовується, зберігайте його у недоступних для дітей місцях.
- e) Використовуйте футляри для металевих лез під час транспортування та зберігання.
- f) Очищуйте пристрій перед зберіганням, а також використовуйте захисні деталі на насадках для різання з металевими лезами.

ДОДАТКОВІ ІНСТРУКЦІЇ З ТЕХНІКИ БЕЗПЕКИ ДЛЯ ТРИМЕРІВ



УВАГА!

Ріжучі елементи продовжують обертатися після вимкнення двигуна.

- Вдягайте довгі штани, щоб захистити ноги.
- Перед використанням пристрою переконайтеся, що лінія вашого розрізу вільна від прутів, каміння, проводків та інших перешкод.
- Використовуйте цей пристрій лише у вертикальному положенні так, щоб ріжуча волосінь була недалеко від землі. Ніколи не вмикайте інструмент в іншому положенні.
- Під час використання пристрою рухайтесь повільно. Пам'ятайте, що скошена трава волога та слизька.
- Не працюйте, стоячи на нахилній поверхні. Рухайтесь по схилу поперек, а не вгору або вниз.
- Ніколи не переходьте граєвіві доріжки та дороги з увімкненим пристроєм.
- Ніколи не торкайтесь ріжучої волосіні, коли інструмент увімкнений.
- У жодному разі не кладіть пристрій, доки ріжуча волосінь повністю не зупиниться.
- Використовуйте лише відповідний тип ріжучої волосіні. Забороняється використовувати металеву та рибачку волосінь.
- Тримайте руки та ноги подалі від ріжучої волосіні та леза, особливо при ввімкненні інструменту.

- Перед використанням пристрою та після будь-якої роботи з ним перевіряйте пристрій на ознаки зносу або пошкодження та виконуйте ремонт за необхідності.
- Будьте обережні, щоб не пошкодитись якимось пристроєм, встановленим для підрізання довжини ріжучої волосіні. Після витягування нової ріжучої волосіні завжди повертайте пристрій у нормальне робоче положення перед увімкненням його.
- Необхідний ретельний нагляд, коли пристрій використовується біля дітей.
- Цей пристрій не призначений для використання молодими та хворими людьми без нагляду.
- Цей інструмент не можна використовувати в якості іграшки.
- Використовуйте лише в сухому місці. Не дозволяйте, щоб пристрій був вологим.
- Не занурюйте пристрій у воду.
- Не відкривайте корпус. В середині відсутні деталі, які користувач може обслуговувати самостійно
- Не використовуйте цей пристрій у вибухонебезпечних умовах, наприклад, в присутності легкозаймистих рідин, газів або пилу.
- Якщо пристрій зберігається або транспортується в автомобілі, його необхідно помістити в багажник або зафіксувати, щоб уникнути рухів через раптові зміни швидкості або напрямку.
- Коли пристрій не використовується, його необхідно зберігати у сухому, добре провітрюваному та недоступному для дітей місці.
- Дітям забороняється мати доступ до пристрою в місці зберігання.

Безпека сторонніх людей

- Цей пристрій не призначений для використання особами (включаючи дітей) зі знизженими фізичними, сенсорними або розумовими можливостями, а також особами, яким бракує досвіду або знань, за винятком випадків, коли такі особи працюють під наглядом або отримали інструкції щодо використання пристрою від особи, яка несе відповідальність за їхню безпеку.
- Діти повинні знаходитись під контролем, щоб гарантувати, що вони не будуть грати з пристроєм.

Залишкові ризики

Переконайтесь, що ви надійно стоїте на схилах, не втрачайте рівноваги. Весь час тримайте рівновагу. За всіх обставин спокійно йдіть, не біжіть.

Під час використання інструмента можуть виникнути додаткові залишкові ризики, які не внесені до попереджень щодо техніки безпеки в цьому посібнику. Ці ризики можуть виникнути як результат неправильного використання, тривалого використання, тощо.

Незважаючи на виконання всіх відповідних правил техніки безпеки та використання захисних пристроїв, неможливо уникнути деяких залишкових ризиків. Сюди належать:

- Травми через контакт з деталями, що рухаються/обертаються.
- Травми при заміні деталей, пильних полотен або аксесуарів.
- Травми через занадто тривале використання інструменту. При використанні будь-якого інструменту протягом тривалого періоду часу не забувайте робити регулярні перерви.
- Порушення слуху.
- небезпека для здоров'я через вдихання пилю, що утворюється при використанні інструменту (наприклад, при роботі з деревом, особливо з дубом, березою та ДВП).

Електрична безпека

Електричний двигун розроблений для роботи лише з одним значенням напруги. Завжди перевіряйте напругу акумулятора на відповідність напрузі, що зазначена на таблиці технічних даних. Також переконайтесь, що напруга зарядного пристрою відповідає напрузі мережі живлення.



Ваш зарядний пристрій виробництва компанії STANLEY FATMAX має подвійну ізоляцію відповідно до EN60335; тому заземлення не є необхідним.



УВАГА! Пристрої з напругою 115 В необхідно контролювати шляхом надійного розділового трансформатора з екраном заземлення між первинною та вторинною обмотками.

Якщо кабель живлення пошкоджений, його необхідно замінити на спеціальний кабель, який можна замовити в офіційних сервісних центрах STANLEY FATMAX.

Заміна мережевої вилки (тільки для Великої Британії та Ірландії)

Якщо потрібно встановити нову вилку живлення:

- Зніміть стару вилку та утилізуйте її, дотримуючись правил техніки безпеки.
- Приєднайте коричневий провідник до активного виходу вилки.
- Приєднайте блакитний провідник до нейтрального виходу.



УВАГА! Жоден провідник не має бути підключений до клеми заземлення.

Дотримуйтесь інструкцій щодо встановлення, які постачаються з якісними вилками. Плавкий запобіжник, що рекомендується: 3 А.

Використання електричного подовжувача

Використовуйте подовжувальний шнур лише за абсолютної необхідності. Використовуйте лише рекомендований подовжувальний шнур, що відповідає споживаній потужності вашого зарядного пристрою (див. **Технічні характеристики**). Мінімальний переріз проводу становить 1 мм²; максимальна довжина – 30 м.

При використанні кабельного барабану завжди витягуйте весь кабель.

ЗБЕРІГАЙТЕ ЦІ ІНСТРУКЦІЇ

Зарядні пристрої

Зарядні пристрої STANLEY FATMAX не вимагають налаштувань і розроблені для максимально простого використання.

Важливі інструкції з техніки безпеки для всіх зарядних пристроїв

ЗБЕРІГАЙТЕ ЦІ ІНСТРУКЦІЇ. У цьому керівництві містяться важливі інструкції з техніки безпеки та використання для сумісних зарядних пристроїв (див. **Технічні дані**).

- Перед використанням зарядного пристрою прочитайте всі інструкції та попередження на зарядному пристрої, акумуляторах та продукті, для якого ці акумулятори використовуються.



УВАГА!

Небезпека ураження електричним струмом. Не допускайте потрапляння рідини в зарядний пристрій. Це може призвести до ураження електричним струмом.



УВАГА!

Ми рекомендуємо використовувати пристрій залишкового струму з залишковим струмом 30 мА або менше.



ОБЕРЕЖНО!

Ризик отримання опіку. Щоб зменшити ризик травмування, заряджайте лише акумуляторні батареї STANLEY FATMAX. Інші типи акумуляторів можуть вибухнути, спричинивши тілесні ушкодження та пошкодження майна.



ОБЕРЕЖНО!

Важко слідкуйте за тим, щоб діти не гралися з пристроєм.

ПРИМІТКА. За певних умов, коли зарядний пристрій підключений до мережі живлення, незахищені контакти всередині зарядного пристрою можуть замкнутися будь-яким стороннім предметом. Сторонні предмети, що проводять струм, наприклад металева стружка, алюмінієва фольга або будь-які металеві деталі, необхідно зберігати подалі від зарядного пристрою. Завжди відключайте зарядний пристрій від розетки, коли батарея не встановлена в зарядний пристрій. Відключіть зарядний пристрій від мережі живлення перед його очищенням

- **НЕ намагайтеся заряджати акумулятор зарядними пристроями, що не вказані в цьому керівництві.** Зарядний пристрій та акумулятори даної моделі розроблені для сумісної експлуатації.
- **Ці зарядні пристрої не призначені ні для чого іншого, крім зарядки акумуляторів STANLEY FATMAX.** Використання з іншими акумуляторами може

привести до виникнення пожежі або ураження електричним струмом.

- **Не піддавайте зарядний пристрій впливу дощу або снігу.**
- **При відключенні зарядного пристрою від мережі живлення тягніть за вилку, а не за кабель.** Це зменшить ризик пошкодження вилки та кабелю.
- **Переконайтесь, що кабель розміщений так, щоб на нього не наступали, не ходили по ньому та не піддавали його іншим фізичним впливам.**
- **Не використовуйте подовжувальний шнур окрім випадків, коли це абсолютно необхідно.** Використання невідповідних подовжувальних шнурів може привести до пожежі або ураження електричним струмом.
- **Не кладіть жодних предметів на зарядний пристрій та не залишайте зарядний пристрій на м'якій поверхні, адже це може привести до блокування вентиляційних отворів та надмірного нагрівання внутрішніх частин.** Розташуйте зарядний пристрій подалі від джерел тепла. Зарядний пристрій вентилюється крізь отвори у верхній та нижній частинах корпусу.
- **Не використовуйте зарядний пристрій із пошкодженим кабелем або вилкою** – їх потрібно негайно замінити.
- **Не використовуйте зарядний пристрій після того, як він отримав різкий удар, впав або був пошкоджений іншим чином.** Віднесіть його до авторизованого сервісного центру.
- **Якщо зарядний пристрій вимагає технічного обслуговування або ремонту, не розбирайте його самотужки, а віднесіть до авторизованого сервісного центру.** Ненадлежає способи використання можуть привести до пожежі або ураження електричним струмом.
- Якщо кабель живлення пошкоджено, для уникнення небезпеки його необхідно негайно замінити, звернувшись до виробника, спеціаліста сервісного центру або іншого кваліфікованого спеціаліста.
- **Відключайте зарядний пристрій від розетки перед його очищенням.** Це дозволяє знизити ризик ураження електричним струмом. Видалення акумулятора не знижує ризик.
- **НИКОЛИ не намагайтесь з'єднувати два зарядні пристрої.**
- **Цей зарядний пристрій розрахований на роботу зі стандартною напругою побутової електромережі 230 В. Не намагайтесь використовувати його з іншою напругою.** Це не стосується автомобільних зарядних пристроїв.

Зарядка акумулятора (рис. В)







1. Підключіть зарядний пристрій до відповідної розетки перед встановленням акумулятора.

2. Вставте акумуляторний блок **12** у зарядний пристрій, переконавшись, що акумулятор встановлено у зарядний пристрій до упору. Червоний індикатор (зарядки) буде часто миготіти, указуючи на початок процесу зарядки.
3. Коли зарядку завершено, червоний індикатор горить, не блимаючи. Це означає, що акумулятор повністю заряджений та може використовуватися одразу або залишатися в зарядному пристрої. Щоб витягнути акумулятор із зарядного пристрою, натисніть кнопку деблокування **13** на акумуляторі.

Примітка. Щоб забезпечити максимальну продуктивність та тривалість роботи літій-іонних акумуляторів, повністю заряджайте їх перед першим використанням.

Робота зарядного пристрою

Щоб визначити статус заряджання акумулятора, перевірте описані нижче індикатори.

Індикатори зарядки	
	Заряджається 
	Повністю заряджений 
	Затримка через надмірно високу/низьку температуру акумулятора* 

*Червоний індикатор буде продовжувати миготіти, а жовтий індикатор буде горіти під час виконання цього завдання. Коли акумулятор досягає відповідної температури, жовтий індикатор вимикається, а зарядний пристрій відновлює процес зарядки.

Навіть сумісний зарядний пристрій не буде заряджати несправний акумулятор. Зарядний пристрій вкаже на несправність акумулятора наступним чином: індикатор не загориться, з'явиться повідомлення про помилку акумулятора або зарядний пристрій почне миготіти.

ПРИМІТКА. Це також може свідчити про проблему з зарядним пристроєм.

Якщо виявлено проблему із зарядним пристроєм, віднесіть зарядний пристрій та акумулятор для перевірки в авторизований сервісний центр.

Затримка через надмірно високу/низьку температуру батареї

Якщо зарядний пристрій розпізнає занадто високу або занадто низьку температуру акумулятора, він автоматично вмикає режим затримки через надмірно високу/низьку температуру акумулятора, припиняючи процес зарядки, доки акумулятор не досягне прийнятної температури. Зарядний пристрій автоматично перемикається в режим зарядки акумулятора. Ця функція забезпечує максимальний термін служби акумулятора.

Холодний акумулятор буде заряджатися повільніше у порівнянні з теплим акумулятором. Акумулятор буде заряджатися повільніше протягом всього циклу зарядки та не повернеться до максимальної швидкості зарядки, навіть при нагріванні.

Кріплення на стіну

Ці зарядні пристрої можна закріпити на стіні, а також поставити на стіл або іншу робочу поверхню. При кріпленні на стіну розташуйте зарядний пристрій поблизу електричної розетки та подалі від кутів та інших перешкод, що заважають повітряному потоку. Встановіть кріпильні гвинти на стіні, скориставшись задньою частиною зарядного пристрою в якості шаблону для їхнього розташування. Надійно зафіксуйте зарядний пристрій за допомогою шурупів (потрібно придбати окремо) довжиною приблизно 25,4 мм з голівкою діаметром 7-9 мм; закрутіть їх в дерево до оптимальної глибини та залиште приблизно 5,5 мм. Вирівняйте отвори на задній поверхні зарядного пристрою з частиною шурупів, що виступає, після чого повністю вставте шурупи в отвори.

Інструкції з очищення зарядного пристрою

⚠ УВАГА! *Небезпека ураження електричним струмом. Відключіть зарядний пристрій від розетки змінного струму перед його очищенням. Бруд та жир можна видалити з поверхні зарядного пристрою за допомогою ганчірки або м'якої неметалевої щітки. Не використовуйте воду та мийні розчини. Не дозволяйте рідині потрапляти всередину інструмента та ніколи не занурюйте деталі інструмента в рідину.*

Акумулятор

Важливі інструкції з техніки безпеки для різних типів акумуляторів

При замовленні змінних акумуляторів не забудьте вказати номер за каталогом та напругу.

Новий акумулятор заряджений не повністю. Перед використанням акумулятора та зарядного пристрою прочитайте всі нижче наведені інструкції з техніки безпеки. Після цього виконайте всі вказані пункти процедури зарядки.

ПРОЧИТАЙТЕ ВСІ ІНСТРУКЦІЇ

- **Не заряджайте та не використовуйте акумулятор у вибухонебезпечних умовах, наприклад в присутності легкозаймистих рідин, газів або пилу.** При встановленні або видаленні акумулятора з зарядного пристрою можуть спалахнути пил або випари.
- **На прикладайте зусилля, вставляючи акумулятор в зарядний пристрій. Жодним чином не змінюйте акумулятор для його встановлення у несумісний зарядний пристрій, тому що акумулятор може розірватися та спричинити серйозні травми.**
- Заряджайте акумулятори лише за допомогою зарядного пристрою STANLEY FATMAX.
- **НЕ занурюйте акумулятор у воду та інші рідини та не бризкайте на нього.**
- **Не зберігайте та не використовуйте інструмент та акумулятор у місцях, де температура може досягати або перевищувати 40 °C (104**

°F) (наприклад, поза гаражами або металевими будівлями влітку).

- **Не спалюйте акумулятор, навіть якщо він сильно пошкоджений або повністю зношений.** Акумулятор може вибухнути у вогні. Коли літій-іонні акумулятори горять, утворюються токсичні випаровування та речовини.
- **Якщо вміст акумулятора потрапив на шкіру, негайно промийте це місце м'яким мильним розчином та водою.** Якщо рідина з акумулятора потрапила в очі, промийте відкрите око протягом 15 хвилин або доки подразнення не зникне. Якщо необхідно, зверніться до лікаря, акумуляторний електродит складається з суміші рідких органічних вуглекліх солей та солей літію.
- **Вміст відкритого акумулятора може спричинити подразнення дихальних шляхів.** Вийдіть на свіже повітря. Якщо симптоми не зникнуть, зверніться до лікаря.

⚠ УВАГА! *Ризик отримання опіку. Рідина з акумулятора може спалахнути, якщо на неї потрапить іскра або полум'я.*

⚠ УВАГА! *За жодних умов не намагайтесь відкрити акумулятор. За будь-якого пошкодження акумулятора не встановлюйте його у зарядний пристрій. Не бийте, не кидайте та не пошкоджуйте акумулятор. Не використовуйте акумулятор та зарядний пристрій, що отримали значний удар, впали або були пошкоджені іншим чином (наприклад, були проколоті цвяхом, вдарені молотком, на них наступили). Це може призвести до ураження електричним струмом. Пошкоджені акумулятори необхідно повернути в сервісний центр для переробки.*

⚠ УВАГА! *Небезпека виникнення пожежі. Зберігайте та переносіть акумулятор так, щоб металеві предмети не торкалися його відкритих контактів. Наприклад, не кладіть акумулятор у фартух, кишені, ящики з інструментами, коробки з наборами приладдя, шухляди тощо, де можуть бути цвяхи, гвинти, ключі тощо.*

⚠ ОБЕРЕЖНО! *Коли інструмент не використовується, залишайте його на боці на стабільній поверхні в такому місці, де через нього не можна перечепитися та впасти. Деякі інструменти з великими акумуляторами можна ставити на акумулятор, однак їх легко перевернути.*

Транспортування

⚠ УВАГА! *Небезпека виникнення пожежі. Під час перевезення акумуляторів може виникнути пожежа, якщо контакти акумулятора випадково ввійдуть в контакт з електропровідним матеріалом. При*

перевезенні акумуляторів переконайтесь, що їхні контакти захищені та добре ізольовані від матеріалів, які можуть увійти з ними в контакт та викликати коротке замикання.

Акумуляторні батареї STANLEY FATMAX відповідають усім діючим правилам щодо судноплавства, як це передбачено галузевими та законодавчими стандартами, які включають рекомендації ООН щодо перевезення небезпечних вантажів; Міжнародні правила авіаційного транспорту (IATA) щодо небезпечних вантажів, Правила міжнародних морських небезпечних вантажів (IMDG) та Європейська угода щодо міжнародного автомобільного перевезення небезпечних вантажів (ADR). Літій-іонні акумулятори та батареї були перевірені відповідно до розділу 38.3 посібника тестів та критеріїв щодо рекомендацій ООН з перевезення небезпечних вантажів.

У більшості випадків доставку акумуляторної батареї STANLEY FATMAX буде виключено з класифікації як повністю регульований матеріал небезпеки Класу 9. Загалом тільки вантажі, що містять літій-іонні акумулятори ємністю більше 100 ват-годин (Вт-год.), вимагають транспортування відповідно до норм перевезення небезпечних речовин, що повністю підпадають під Клас 9. На всі літій-іонні акумулятори нанесено значення ват-годин. Більше того, через складності законодавчих норм компанія STANLEY FATMAX не рекомендує транспортування окремо літій-іонних акумуляторів повітряним транспортом, незалежно від показника ват-годин. Транспортування інструментів з акумуляторами (у комплекті) можна виконувати повітряним транспортом, якщо значення ват-годин не перевищує 100 Вт-год.

Незалежно від того, чи вантаж вважається виключеним або повністю регламентованим, вантажовідправник несе відповідальність за відповідність останнім нормам щодо вимог до упаковки, етикеток/маркування та документації. Інформація, що наводиться у цьому розділі керівництва, сумлінно перевірена та вважається дійсною на момент складання документації. Проте чинні нормативи можуть підлягати змінам. Покупець несе відповідальність за те, щоб його дії відповідали певним нормам.

Рекомендації щодо зберігання

1. Найкращим місцем для зберігання інструмента є прохолодне сухе місце, куди не потрапляють прямі сонячні промені та немає доступу тепла та холоду. Для забезпечення оптимальної продуктивності та терміну служби акумуляторів зберігайте їх при кімнатній температурі, коли вони не використовуються.
2. При тривалому зберіганні для оптимального результату рекомендується помістити повністю заряджений акумулятор у сухе прохолодне місце поза зарядним пристроєм.

Примітка. Не рекомендується зберігати акумулятор повністю розрядженим. Акумулятор потрібно перезарядити перед використанням.

Етикетки на зарядному пристрої та акумуляторі

Крім символів, що використовуються у цьому керівництві, етикетки на зарядному пристрої та акумуляторі можуть містити наведені нижче позначки.



Прочитайте інструкції цього керівництва перед використанням.



Див. розділ **Технічні дані** щодо часу зарядки.



Уникайте контакту з електропровідними об'єктами.



Не заряджайте пошкоджені акумулятори.



Не піддавайте впливу води.



Негайно замініть пошкоджений шнур живлення.



Заряджайте акумулятор за температури 4-40 °C.



Лише для використання у приміщенні.



Утилізуйте акумулятори з належною турботою про навколишнє середовище.



Заряджайте акумуляторні батареї STANLEY FATMAX тільки із призначеними для цього зарядними пристроями STANLEY FATMAX. Заряджання акумуляторних батарей, відмінних від призначених батарей компанії STANLEY FATMAX із зарядним пристроєм STANLEY FATMAX, може призвести до їх розриву або до інших небезпечних ситуацій.



Не кидайте акумулятори у відкритий вогонь.

Тип акумулятора

Пристрій 35 працює від акумулятора потужністю 18 вольт. Для експлуатації придатні акумулятори наступних моделей: SFMCB204, SFMCB202, SFMCB206 Див. додаткову інформацію у розділі **Технічні дані**.

Комплект поставки

До комплекту входить:

- 1 Тример
- 1 Захисний кожух
- 4 Гвинти захисного кожуху
- 1 Головка котушки SA
- 1 Пластина блокування шпінделя
- 1 Літій-іонний акумулятор

- 1 Зарядний пристрій
- 1 Керівництво з експлуатації
- *Перевірте інструмент, деталі та приладдя на пошкодження, що могли виникнути під час транспортування.*
- *Перед використанням уважно прочитайте та повністю зрозумійте це керівництво.*

- 6 Верхня штанга тримера
- 7 Нижня штанга тримера
- 8 Кронштейн штанги
- 9 Захисний кожух
- 10 Корпус котушки
- 11 Корпус батареї
- 12 Акумулятор
- 13 Кнопка розблокування акумулятора
- 14 Ручка

Маркування на інструменті

На інструменті є наступні піктограми:



Прочитайте інструкції цього керівництва перед використанням.



Використовуйте засоби захисту слуху.



Використовуйте засоби захисту очей.



Не піддавайте інструмент впливу дощу та високої вологості, а також не залишайте його на вулиці під дощем.



Вимкніть інструмент. Перед виконанням будь-якого обслуговування необхідно витягнути батарею з інструменту.



Не підпускайте людей та тварин на відстань принаймні 6 м від робочої зони.



Сторонні люди повинні знаходитись подалі від інструменту.



В Директиві 2000/14/ЕС вказана гарантована звукова потужність.

Розташування коду дати (рис. А)

Код дати **18**, що включає також рік виробництва, наноситься на корпус.

Приклад:

2021 XX XX
Рік виробництва

Опис (рис. А)

УВАГА! Ніколи не модифікуйте електричні інструменти або їх деталі. Це може призвести до пошкодження майна або тілесних ушкоджень.

- | | |
|-------------------------------|--------------------------------|
| 1 Перемикач змінної швидкості | 3 Перемикач контролю швидкості |
| 2 Кнопка блокування | 4 Допоміжна ручка |
| | 5 Корпус мотору |

Сфера застосування

Цей тример розроблений для професійного підстригання газону.

НЕ використовуйте за умов підвищеної вологості або в присутності легкозаймистих рідин та газів.

Він не є кромкопідрізувачем і не призначений для підрізання кромки газону.

НЕ дозволяйте дітям підходити на небезпечну відстань та торкатися інструмента. Використання інструмента недосвідченими операторами потребує нагляду.

- **Діти та хворі люди.** Цей пристрій не призначений для експлуатації дітьми та особами з обмеженими розумовими та фізичними можливостями без стороннього контролю.
- Цей пристрій не призначений для використання особами (включаючи дітей) зі зниженими фізичними, сенсорними або розумовими можливостями або особами, яким бракує досвіду або знань, за винятком випадків, коли такі особи працюють під наглядом особи, яка несе відповідальність за їх безпеку. Не можна залишати дітей наодинці з цим приладом.

МОНТАЖ ТА НАЛАШТУВАННЯ

УВАГА! Щоб знизити ризик серйозних тілесних ушкоджень, вимкніть інструмент та відключіть акумулятор перед виконанням будь-яких налаштувань або зніманням/встановленням додаткового обладнання або приладдя. Випадковий запуск може призвести до травм.

УВАГА! Використовуйте лише акумулятори та зарядні пристрої фірми STANLEY FATMAX.

Установка акумулятора в інструмент та його виймання (рис. Г)

ПРИМІТКА. Переконайтесь, що ваш акумулятор **12** повністю заряджений.

Встановлення акумулятора в інструмент

1. Вирівняйте акумулятор **12** по напрямляючим у ручці інструменту (рис. Г).
2. Вставте акумулятор в інструмент до упору та переконайтесь, що ви почули звук клацання акумулятора на місці.

Виймання акумулятора з інструмента

1. Натисніть кнопку відпускання **13** та витягніть акумулятор з ручки інструменту (рис. Г).

2. Вставте акумулятор у зарядний пристрій, як описано у розділі щодо зарядного пристрою цього керівництва.

Акумулятори з індикатором рівня заряду (рис. G)

Деякі акумулятори STANLEY FATMAX оснащені індикатором заряду з трьох зелених світлодіодів, що вказують рівень заряду акумулятора, що залишився.

Щоб увімкнути індикатор заряду, натисніть та утримуйте кнопку індикатора заряду **32**. Три зелені світлодіоди будуть горіти відповідним чином, відображаючи рівень зарядки акумулятора. Коли рівень заряду акумулятора нижче відповідного ліміту, індикатор рівня заряду не горить, а акумулятор потрібно зарядити.

ПРИМІТКА. Індикатор рівня заряду показує лише рівень заряду, що залишився в акумуляторі. Він не показує функціональність інструмента, а його показники можуть змінюватись відповідно до комплектиності інструмента, температури та способу застосування.

Заміна катушки в зборі (рис. B, C)

Використовуйте для заміни катушку виробництва STANLEY FATMAX STZST1169.

1. Встановіть шпindelну пластину **22** на шпindel **23**, щоб подвійна D-образна стопорна гайка на шпindelі знаходилась всередині основи шпindelної пластини.
2. Повертайте шпindelну пластину до вирівнювання отвору **24** з виїмкою **25** в корпусі. Вставте шток з комплекту поставки через виїмку в отвір, щоб запобігти обертанню шпинделя.
3. Утримуючи шток в цьому положенні, встановіть новий корпус катушки **10** з кришкою катушки, обертаючи проти годинникової стрілки. Надійно затягніть новий корпус катушки на шпindelі.

Кріплення захисного кожуха (рис. D, E)

⚠ УВАГА! Ніколи не знімайте захисний кожух. Це може призвести до пошкодження майна або тілесних ушкоджень.

⚠ УВАГА! **У ЖОДНОМУ РАЗІ НЕ ВИКОРИСТОВУЙТЕ ПРИСТРІЙ БЕЗ ЗАХИСНОГО КОЖУХА.** Захисний кожух повинен завжди кріпитися на пристрої належним чином для захисту користувача.

1. Закріпіть захисний кожух **9** на корпусі двигуна **5**.
2. За допомогою хрестоподібної викрутки вставте 2 гвинти захисного кожуха **15** і надійно затягніть їх.

ПРИМІТКА. При бажанні можна придбати розширений захисний кожух (продається окремо) для додаткового покриття. Візьміть змінний кожух виробництва компанії STANLEY FATMAX, номер деталі N722862.

Встановлення допоміжної ручки (рис. F)

1. Розташуйте допоміжну ручку **4** зверху на верхню штангу тримера **6** як показано на рис. F.
2. Встановіть кронштейн **30** додаткової ручки на нижню частину ручки.
3. Закрутіть болти ручки **31** через ручку і у кронштейн з ручки.
4. Надійно затягніть болти. Перевірте надійність прикріплення ручки закріпленням фіксатора ручки **29**.
5. Для регулювання положення допоміжної ручки відкрийте фіксатор ручки і протягніть ручку вгору і вниз по штанзі до бажаного положення. Замкніть фіксатор для закріплення ручки на місці.

Вивільнення ріжучої волосіні (рис. A)

При транспортуванні ріжуча волосінь приклеєна до корпусу катушки **10**.

- Зніміть клейку стрічку, яка утримує ріжучу волосінь на корпусі катушки.

ЕКСПЛУАТАЦІЯ

Інструкції з використання

⚠ УВАГА! Завжди дотримуйтесь усіх інструкцій з техніки безпеки та відповідних норм.

⚠ УВАГА! Щоб знизити ризик серйозних тілесних ушкоджень, вимкніть інструмент та відключіть акумулятор перед виконанням будь-яких налаштувань або зніманням/встановленням додаткового обладнання або приладдя. Випадковий запуск може призвести до травм.

Вірне положення рук (рис. A, H)

⚠ УВАГА! Щоб знизити ризик серйозних травм, **ЗАВЖДИ** правильно розташуйте руки, як показано.

⚠ УВАГА! Щоб знизити ризик серйозних травм, **ЗАВЖДИ** надійно тримайте інструмент, щоб попередити випадкову віддачу.

При правильному положенні рук необхідно одну руку тримати на основній ручці **14**, а іншу – на допоміжній ручці **4**.

Увімкнення/вимкнення тримера (рис. A)

Щоб увімкнути пристрій, натисніть кнопку блокування **2** та потім перемикач змінної швидкості **1**. Коли пристрій працює, ви можете відпустити важіль блокування. Відпустіть тригерний перемикач змінної швидкості, щоб вимкнути пристрій.

Перемикач контролю швидкості (рис. А)

Ви можете використовувати тример з більш ефективною швидкістю, щоб вистачило часу роботи для більших ділянок, або збільшити швидкість тримера для швидшого підрізання.

Щоб збільшити швидкість тримера, змістіть перемикач контролю швидкості назад до корпусу акумулятору **11** у положення «ЛО». Цей режим краще підходить для більших ділянок, що вимагають більше часу для підрізання газону.

Щоб подовжити час роботи тримера, змістіть перемикач контролю швидкості **3** вперед до додаткової ручки **4** у положення «НІ». Цей режим краще підходить для обрізання більш високої трави та при необхідності вищого значення обертів/хвилину.

ПРИМІТКА. При роботі у режимі «НІ» час роботи пристрою буде скорочено у порівнянні з часом роботи у режимі «ЛО».

Підрізання (рис. І, J)

Увімкніть тример, нахиліть його та рухайте зі сторони в сторону, як показано на рис. І.

Зберігайте мінімальну відстань 610 мм між захисним кожухом та вашими ногами, як показано на рис. J.

⚠ УВАГА! Утримуйте ріжучу волосін, що рухається, майже паралельно до землі (пристрій нахиліть не більше ніж на 30°). Цей тример не призначений для підрізання кромки газону. **НЕ НАХИЛЯЙТЕ** тример, щоб ріжуча волосін оберталася майже під прямим кутом до землі. Сміття, що розлітається, може спричинити серйозні травми.

Ударна подача ріжучої волосіні тримера

У вашому тримері використовується волосін діаметром 2 мм спіралевидної форми з гладкими круглими краями. Ріжуча волосін зноситься швидше та буде вимагати частішої заміни, якщо скошувати траву біля тротуару або іншої абразивної поверхні, або якщо скошувати твердішу траву.

При використанні тримера волосін буде ставати коротшою через знос. Злегка вдарті тримером по землі під час роботи зі звичайною швидкістю, після чого волосін буде подана.

ПРИМІТКА. Подача більше 330 мм нейлонової волосіні може негативно вплинути на продуктивність, час роботи та термін придатності тримера через потенційний негативний вплив на двигун. Це може анулювати гарантію.

Рекомендації з підрізання газону (рис. М)

- Використовуйте кінець волосіні для підрізання; не вставляйте всю голівку з волосінню у непідрізану траву.
- Дротяні огорожі та паркани можуть спричинити надмірний знос леза, навіть її розрив. Кам'яні та цегляні стіни, бордюри та дерево можуть спричинити швидший знос волосіні.
- Не тягніть кришку котушки **28** по землі та іншим поверхням.
- При зрізанні високої трави починайте зрізати зверху не більше 305 мм за один прохід.

- Утримуйте тример нахиленим до ділянки, яка підрізується; це найкраще місце для підрізання.
- Тример зрізує траву при його переміщенні зліва направо. Це дозволить уникнути потрапляння сміття в оператора.
- Уникайте дерев та кущів. Волосінню можна легко пошкодити кору дерев, дерев'яні огорожі, облицювальні матеріали та забори.

Заміна ріжучої волосіні (рис. К–М)

⚠ УВАГА! Щоб знизити ризик серйозних травм, вимкніть пристрій та вийміть акумулятор перед виконанням будь-яких налаштувань або зніманням/установленням додаткового обладнання чи приладдя під час заміни волосіні або перед очищенням. Випадковий запуск може призвести до травм.

⚠ ОБЕРЕЖНО! Використовуйте лише акумулятори та зарядні пристрої компанії STANLEY FATMAX. Використання волосіні будь-якого іншого виробника може знизити продуктивність, пошкодити тример або привести до травм. У вашому тримері використовується волосін діаметром 2 мм спіралевидної форми з гладкими круглими краями. Не використовуйте волосін інших розмірів. Це може погіршити експлуатаційні характеристики, привести до порушень нормальної роботи або травм.

⚠ ОБЕРЕЖНО! Щоб уникнути пошкодження пристрою, якщо ріжуча волосін виступає за лезо, обріжте її так, щоб вона тільки доходила до нього.

Використовуйте лише змінні деталі компанії STANLEY FATMAX.

1. Витягніть акумулятор.
2. Відріжте максимум 6 м волосіні тримера 2 мм.
3. Зіставте вушка корпусу котушки **21** зі стрілкою **18** на кришці котушки **20**, як показано на рис. К.
4. Простягніть один кінець волосіні тримера через вушко. Проведіть волосін через друге вушко і продовжуйте її протягувати до появи струни однакової довжини з кожного боку корпусу котушки, як показано на рис. Л.
5. Однією рукою закріпіть кришку котушки **28** від руху. Другою рукою намотайте струну на котушку, обертаючи кришку котушки **20** проти годинникової стрілки. Продовжуйте намотувати до тих пір, поки з кожного боку корпусу котушки не залишиться по 101 мм.

ТЕХНІЧНЕ ОБСЛУГОВУВАННЯ

Ваш інструмент виробництва компанії STANLEY FATMAX призначений для роботи протягом тривалого часу з мінімальним обслуговуванням. Довга задовільна робота

приладу залежить від належного обслуговування приладу та регулярного його очищення.

⚠ УВАГА! *Щоб знизити ризик серйозних тілесних ушкоджень, вимкніть інструмент та відключіть акумулятор перед виконанням будь-яких налаштувань або зніманням/встановленням додаткового обладнання або приладдя. Випадковий запуск може призвести до травм.*

Зарядний пристрій та акумулятор не підлягають обслуговуванню.



Змащування

Ваш електричний інструмент не вимагає додаткового змащування.



Очищення

⚠ УВАГА! *Коли пил та бруд стають помітними та починають накопичуватися біля вентиляційних отворів, видавайте бруд та пил зсередини основного корпусу за допомогою сухого повітря. Використовуйте рекомендовані засоби захисту органів зору та рекомендовану протипилову маску при виконанні цієї операції.*

⚠ УВАГА! *Ніколи не використовуйте розчинники та інші агресивні хімічні засоби для очищення неметалевих деталей інструмента. Такі хімічні речовини можуть нанести шкоду матеріалам, що використовуються в цих деталях. Використовуйте вологу ганчірку, змочену лише водою з м'яким милом. Не дозволяйте рідині потрапляти всередину інструмента та ніколи не занурюйте деталі інструмента в рідину.*

Рекомендації з очищення (рис. N)

- Підтримуйте чистоту отворів для впуску повітря (27), щоб уникнути перегріву.
- Волосінь тримера може засохнути з часом.
- Пластикові деталі можна очищувати м'яким мильним розчином та вологою ганчіркою.
- Підрізний ніж волосіні на краю захисного кожуху може притупитися з часом. Рекомендуються періодично заточувати його напилком.

Змінні аксесуари

⚠ УВАГА! *Щоб знизити ризик серйозних травм, вимкніть пристрій та відключіть акумулятор перед виконанням будь-яких*

налаштувань або зніманням/встановленням насадок або аксесуарів.

⚠ УВАГА! *Використання будь-яких насадок, не рекомендованих компанією STANLEY FATMAX для використання з цим пристроєм, є небезпечним.*

⚠ УВАГА! *Не використовуйте з цим тримером леза, аксесуари та насадки, не рекомендовані КОМПАНІЄЮ STANLEY FATMAX. Це може призвести до серйозної травми або пошкодження продукту.*

При заміні леза використовуйте волосінь діаметром 2 м. Використовуйте змінну волосінь компанії STANLEY FATMAX, модель № STZST1226. Волосіні інших розмірів можуть погіршити продуктивність або пошкодити тример.

Додаткове приладдя

⚠ УВАГА! *Через те, що інші аксесуари, що не рекомендовані компанією STANLEY FATMAX, не були перевірені з цим продуктом, використання таких аксесуарів з цим інструментом може бути небезпечним. Щоб зменшити ризик отримання травм, з цим виробом слід використовувати тільки аксесуари, рекомендовані компанією STANLEY FATMAX.*

Зверніться до свого дилера для отримання подальшої інформації щодо відповідного приладдя.

Захист навколишнього середовища



Роздільний збір. Пристрої та батареї, позначені цим символом, не можна викидати зі звичайним побутовим сміттям.

Пристрої та батареї містять матеріали, які можна відновити та переробити, що зменшить потребу у сировині. Будь ласка, віддавайте електричні інструменти та батареї на переробку відповідно до місцевих постанов. Більш детальну інформацію можна отримати на сайті www.2helpU.com.

Придатність акумулятора для перезарядки

Ця модель акумулятора підлягає перезарядці у випадку зниження його потужності при виконанні завдань, що попередньо не вимагали особливих зусиль. Наприкінці терміну служби акумулятора утилізуйте його у спосіб, безпечний для навколишнього середовища.

- Повністю розрядіть акумулятор, потім витягніть його з інструмента.
- Літій-іонні акумулятори можна повторно переробляти. Віднесіть їх до свого дилера або до місцевої переробної станції. Там зібрані акумулятори будуть перероблені або відповідно знищені.

Гарантія

Однорічна гарантія

Всі електричні інструменти компанії STANLEY FATMAX мають стандартну однорічну гарантію. У маловірогідному випадку, якщо електроінструмент стає несправним через неякісні матеріали, конструкцію або невідповідність вимогам протягом 1 року з дня покупки, компанія STANLEY гарантує безкоштовну заміну або ремонт несправних деталей або – за нашим рішенням – безкоштовну заміну пристрою.

Трирічна гарантія

Зареєструйте ваш електроінструмент STANLEY FATMAX протягом 4 тижнів з дати покупки і отримайте право на додаткові 2 роки гарантії. Після реєстрації вашого електроінструменту компанія STANLEY гарантує, що у маловірогідному випадку, якщо електроінструмент стає несправним через неякісні матеріали, конструкцію або невідповідність вимогам ви отримуєте безкоштовну заміну або ремонт несправних деталей або – за нашим рішенням – безкоштовну заміну пристрою.



Виробник:
"Stanley Black & Decker Deutschland
GmbH" Black-&-Decker Str.40, D-65510
Idstein, Німеччина

STANLEY
FATMAX

ГАРАНТІЙНИЙ ТАЛОН

3 РОКИ
ГАРАНТІЇ

1. Вітаємо Вас з покупкою високоякісного виробу Stanley FATMAX і висловлюємо вдячність за Ваш вибір.
2. При покупці виробу вимагайте перевірки його комплектності і справності у Вашій присутності, інструкцію з експлуатації та заповнений гарантійний талон українською мовою. В гарантійному талоні повинні бути внесені: модель, дата продажу, серійний номер, дата виробництва інструменту; назва, печатка і підпис торгової організації. За відсутності у Вас правильно заповненого гарантійного талону, а також при невідповідності зазначених у ньому даних ми будемо змушені відхилити Ваші претензії щодо якості даного виробу.
3. Щоб уникнути непорозумінь, переконливо просимо Вас перед початком роботи з виробом уважно ознайомитися з інструкцією з його експлуатації. Правовою основою справжніх гарантійних умов є чинне Законодавство. Гарантійний термін на даний виріб складає 36 місяці і обчислюється з дня продажу. У разі усунення недоліків виробу, гарантійний строк продовжується на період його перебування в ремонті. Термін служби виробу становить 5 років з дня продажу.
4. У разі виникнення будь-яких проблем у процесі експлуатації виробу рекомендуємо Вам звертатися тільки в уповноважені сервісні центри Stanley FATMAX, адреси та телефони яких Ви зможете знайти в гарантійному талоні, на сайті www.2helpU.com або дізнатися в магазині. Наші сервісні станції - це не тільки кваліфікований ремонт, але і широкий асортимент запчастин і аксесуарів.
5. Виробник рекомендує проводити періодичну перевірку і технічне обслуговування виробу в уповноважених сервісних центрах.
6. Наші гарантійні зобов'язання поширюються тільки на несправності, виявлені протягом гарантійного терміну і викликані дефектами виробництва та \ або матеріалів.
7. Гарантійні умови не поширюються на несправності виробу, що виникли в результаті:
 - 7.1. Недотримання користувачем приписів інструкції з експлуатації виробу, застосування виробу не за призначенням, неправильного зберігання, використання приладдя, витратних матеріалів і запчастин, що не передбачені виробником.
 - 7.2. Механічного пошкодження (відколю, тріщини і руйнування) внутрішніх і зовнішніх деталей виробу, основних і допоміжних рукояток, мережевого кабелю, що викликані зовнішнім ударним або будь-яким іншим впливом
 - 7.3. Потраплення у вентиляційні отвори та проникнення всередину виробу сторонніх предметів, матеріалів або речовин, що не є відходами, які супроводжують застосування виробу за призначенням, такими як: стружка, тирса, пісок, та ін.
 - 7.4. Впливу на виріб несприятливих атмосферних і інших зовнішніх факторів, таких як дощ, сніг, підвищена вологість, нагрівання, агресивні середовища, невідповідність параметрів електромережі, що зазначені на інструменті.
 - 7.5. Стихійного лиха. Пошкодження або втрати виробу, що пов'язані з непередбаченими лихами, стихійними явищами, у тому числі внаслідок дії непереборної сили (пожежа, блискавка, потоп і інші природні явища), а також внаслідок переладів напруги в електромережі та іншими причинами, які знаходяться поза контролем виробника.
8. Гарантійні умови не поширюються:
 - 8.1. На інструменти, що піддавалися розкриттю, ремонту або модифікації поза уповноваженим сервісним центром.
 - 8.2. На деталі, вузли та матеріали, що мають сліди природного зносу, такі як: приводні ремені і колеса, вугільні щітки, мастило, підшипники, зубчасті зчеплення редукторів, гумові ущільнення, сальники, направляючі ролики, муфти, вижимачі, бойки, штовхачі, стовпи тощо.
 - 8.3. На змінні частини: патрони, цанги, затискні гайки і фланці, фільтри, ножі, шліфувальні підшви, ланцюги, зірочки, пильні шини, захисні кожухи, пилки, абразиви, пильні і абразивні диски, фрези, свердла, бури тощо
 - 8.4. На несправності, що виникли в результаті переважання інструменту (як механічного, так і електричного), що спричинили вихід з ладу одночасно двох і більше деталей і вузлів, таких як: ротора і статора, обох обмоток статора, веденої і ведучої шестерень редуктора або інших вузлів і деталей. До безумовних ознак переважання виробу відносяться, крім інших: поява кольорів мільнисті, деформація або оплавлення деталей і вузлів виробу, потемніння або обуглювання ізоляції проводів електродвигуна під впливом високої температури.

Товар отриманий в справному стані, без видимих ушкоджень, в повній комплектації, перевірений у моїй присутності, претензій щодо якості товару не маю. З умовами гарантійного обслуговування ознайомлений і згоден.

П. І. Б. та підпис власника _____

Шановні клієнти, наша мережа авторизованих сервісних центрів постійно розширюється. Актуальну інформацію про обслуговування в місті, що цікавить вас, ви можете дізнатися на сайті

www.2helpU.com

Редакція ВК/12-12-2018

Інформація про інструмент

Найменування інструменту	
Модель	
Найменування продавця	
Дата продажу	

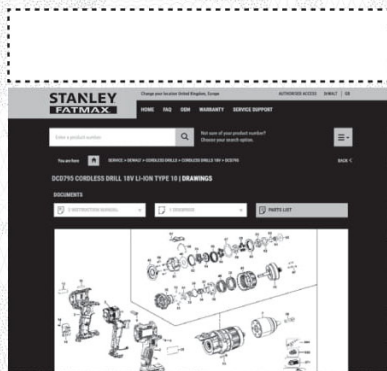
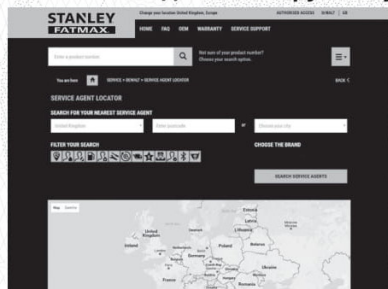
М.П.
Продавця

Серійний номер/Дата виробництва

Інструмент	
Зарядний пристрій	
Акумулятор 1	
Акумулятор 2	

На сайті www.2helpU.com доступні наступні функції:

- Список авторизованих сервісних центрів
- Зручний пошук найближчого сервісного центру
- Керівництво з експлуатації
- Технічні характеристики
- Список деталей і запасних частин
- Схема складання інструменту



**Також дану інформацію ви можете отримати, зателефонувавши за номером:
0 (800) 211 521 в Україні**

ВІДМІТКА ПРО ПРОВЕДЕННЯ СЕРВІСНОГО ОБСЛУГОВУВАННЯ

№1	№2	№3	№4
№ замовлення	№ замовлення	№ замовлення	№ замовлення
Дата прийому	Дата прийому	Дата прийому	Дата прийому
Дата ремонту	Дата ремонту	Дата ремонту	Дата ремонту
Печатка і підпис сервісного центру	Печатка і підпис сервісного центру	Печатка і підпис сервісного центру	Печатка і підпис сервісного центру

