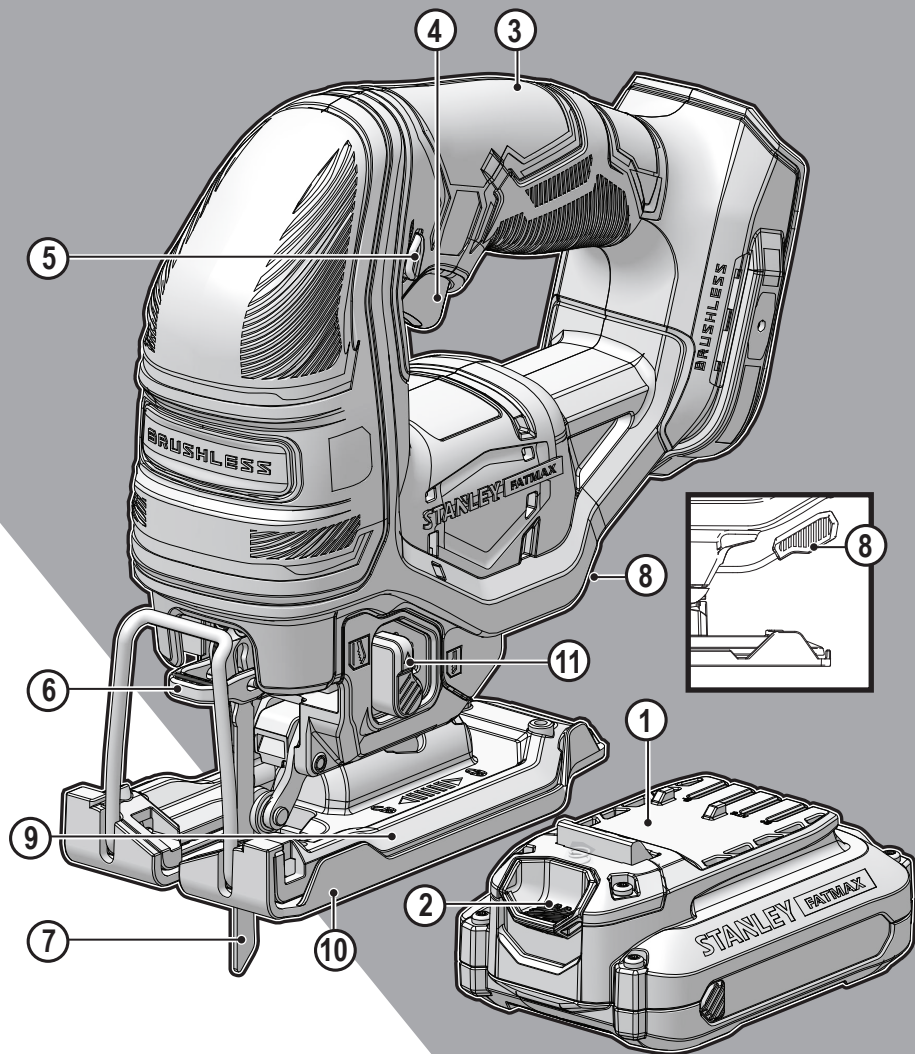


STANLEY®

FATMAX®

V20

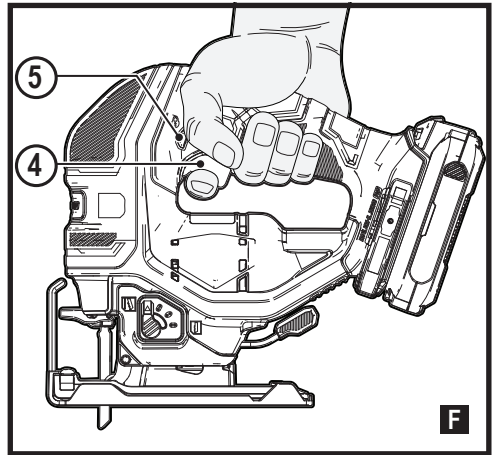
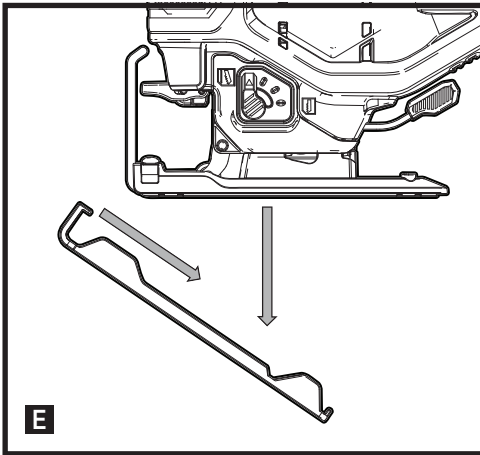
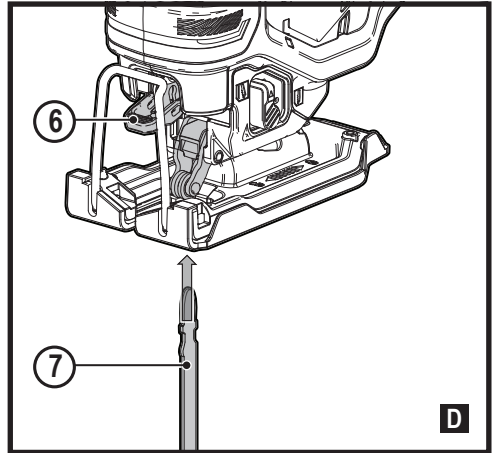
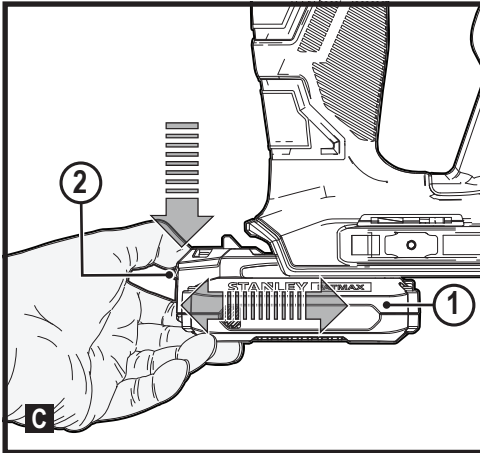
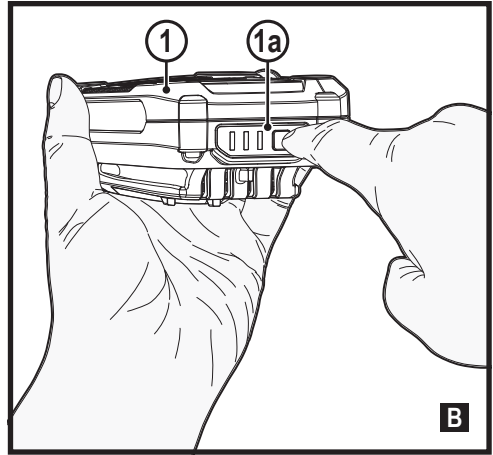
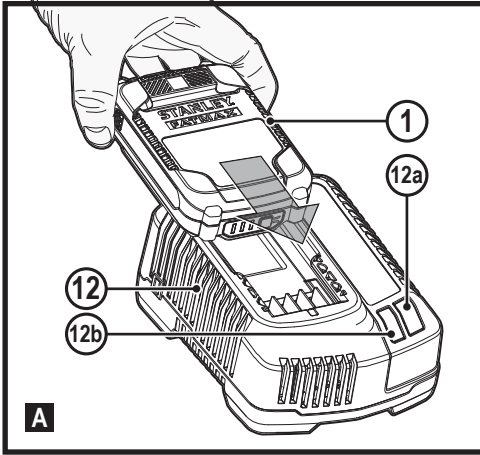
LITHIUM ION

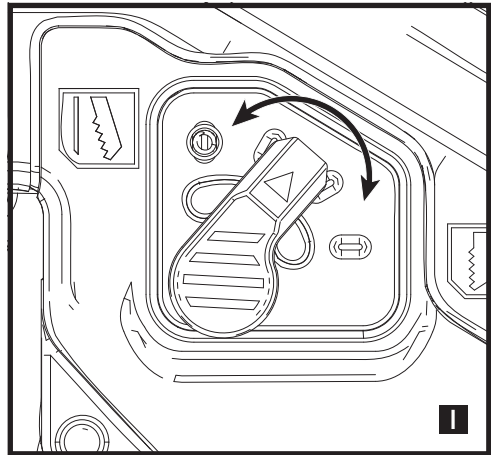
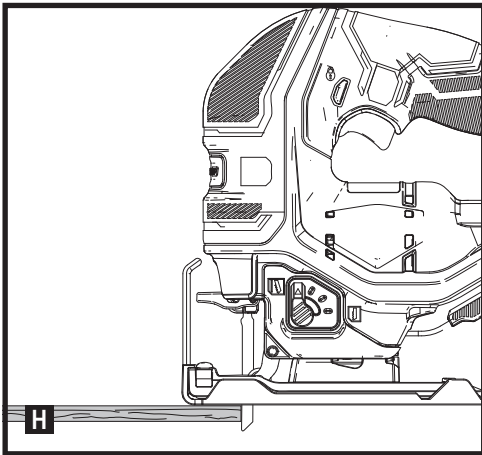
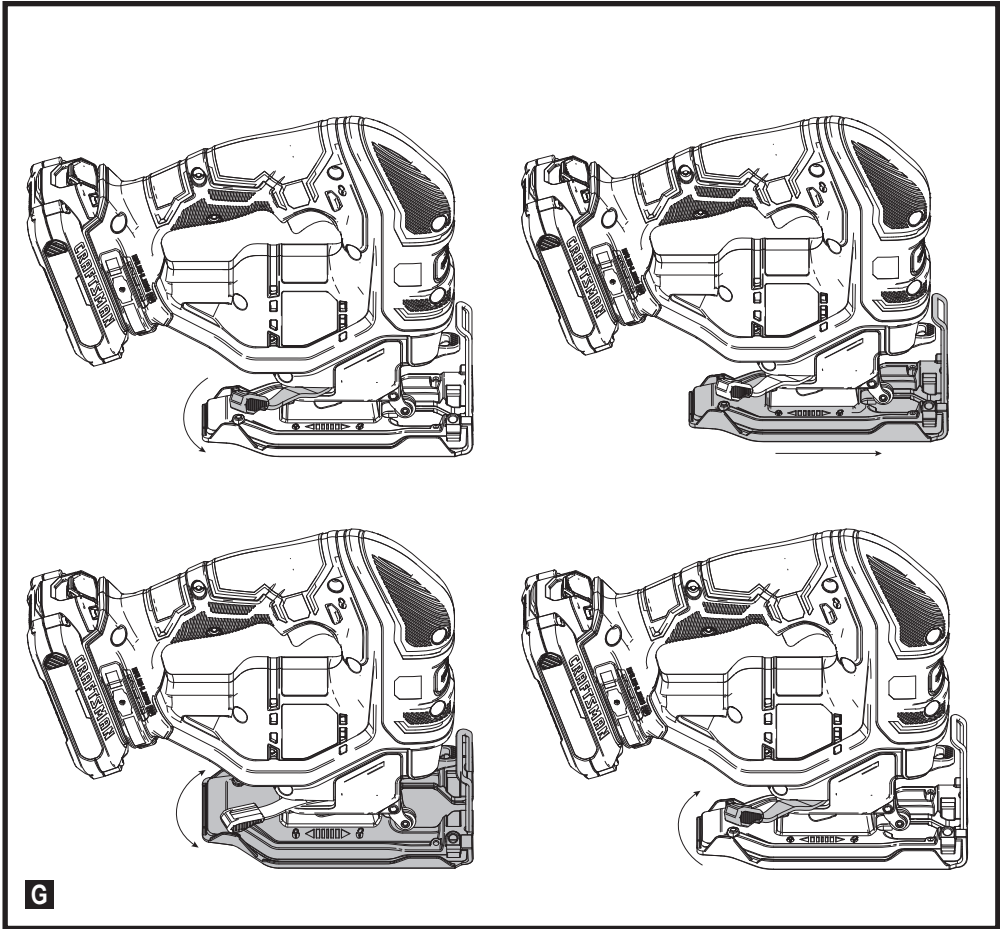


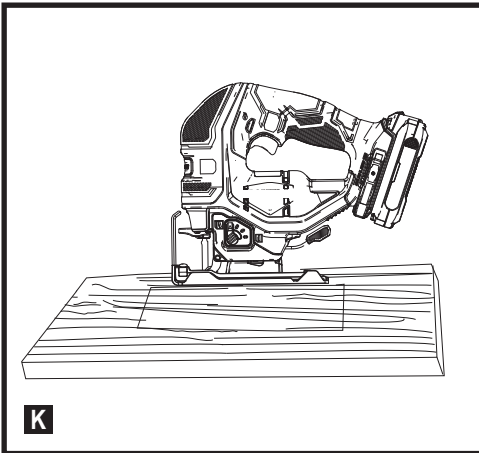
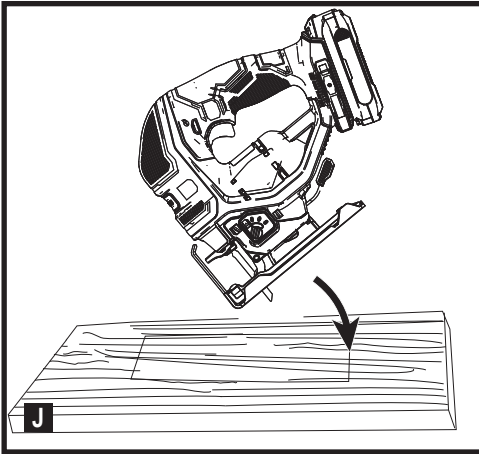
www.stanley.eu

SFMCS650

English (original instructions)	5
Deutsch (<i>übersetzt von den originalanweisungen</i>)	12
Français (<i>traduction de la notice d'instructions originale</i>)	19
Italiano (<i>tradotto dalle istruzioni originali</i>)	27
Nederlands (<i>vertaald vanuit de originele instructies</i>)	34
Español (<i>traducido de las instrucciones originales</i>)	42
Português (<i>traduzido das instruções originais</i>)	49
Svenska (<i>översatt från de ursprungliga instruktionerna</i>)	57
Norsk (<i>oversatt fra de originale instruksjonene</i>)	63
Dansk (<i>oversat fra original brugsvejledning</i>)	72
Suomi (<i>käännetty alkuperäisestä käyttöohjeesta</i>)	76
Ελληνικά (<i>μετάφραση από τις πρωτότυπες οδηγίες</i>)	83







Intended use

Your STANLEY FATMAX SFMCS650 jigsaw has been designed for sawing wood, plastics and sheet metal. This tool is intended for professional and private, non professional users.

Safety instructions

General power tool safety warnings



Warning! Read all safety warnings, instructions, illustrations and specifications provided with this power tool. Failure to follow all instructions listed below may result in electric shock, fire and/or serious injury.

Save all warnings and instructions for future reference.

The term "power tool" in the warnings refers to your mains-operated (corded) power tool or battery-operated (cordless) power tool.

1. Work area safety

- Keep work area clean and well lit.** Cluttered or dark areas invite accidents.
- Do not operate power tools in explosive atmospheres, such as in the presence of flammable liquids, gases or dust.** Power tools create sparks which may ignite the dust or fumes.
- Keep children and bystanders away while operating a power tool.** Distractions can cause you to lose control.

2. Electrical safety

- Power tool plugs must match the outlet. Never modify the plug in any way.** Do not use any adapter plugs with earthed (grounded) power tools. Unmodified plugs and matching outlets will reduce risk of electric shock.
- Avoid body contact with earthed or grounded surfaces such as pipes, radiators, ranges and refrigerators.** There is an increased risk of electric shock if your body is earthed or grounded.
- Do not expose power tools to rain or wet conditions.** Water entering a power tool will increase the risk of electric shock.
- Do not abuse the cord. Never use the cord for carrying, pulling or unplugging the power tool.** Keep cord away from heat, oil, sharp edges or moving parts. Damaged or entangled cords increase the risk of electric shock.
- When operating a power tool outdoors, use an extension cord suitable for outdoor use.** Use of a cord suitable for outdoor use reduces the risk of electric shock.
- If operating a power tool in a damp location is unavoidable, use a residual current device (RCD) protected supply.** Use of an RCD reduces the risk of electric shock.

3. Personal safety

- Stay alert, watch what you are doing and use common sense when operating a power tool.** Do not use a power tool while you are tired or under the influence of drugs, alcohol or medication. A moment of inattention while operating power tools may result in serious personal injury.
- Use personal protective equipment. Always wear eye protection.** Protective equipment such as dust mask, non-skid safety shoes, hard hat, or hearing protection used for appropriate conditions will reduce personal injuries.
- Prevent unintentional starting. Ensure the switch is in the off-position before connecting to power source and/or battery pack, picking up or carrying the tool.**

Carrying power tools with your finger on the switch or energising power tools that have the switch on invites accidents.

- d. **Remove any adjusting key or wrench before turning the power tool on.** A wrench or a key left attached to a rotating part of the power tool may result in personal injury.
- e. **Do not overreach. Keep proper footing and balance at all times.** This enables better control of the power tool in unexpected situations.
- f. **Dress properly. Do not wear loose clothing or jewellery. Keep your hair and clothing away from moving parts.** Loose clothes, jewellery or long hair can be caught in moving parts.
- g. **If devices are provided for the connection of dust extraction and collection facilities, ensure these are connected and properly used.** Use of dust collection can reduce dust-related hazards.
- h. **Do not let familiarity gained from frequent use of tools allow you to become complacent and ignore tool safety principles.** A careless action can cause severe injury within a fraction of a second.

4. Power tool use and care

- a. **Do not force the power tool. Use the correct power tool for your application.**

The correct power tool will do the job better and safer at the rate for which it was designed.

- b. **Do not use the power tool if the switch does not turn it on and off.** Any power tool that cannot be controlled with the switch is dangerous and must be repaired.
- c. **Disconnect the plug from the power source and/or remove the battery pack, if detachable, from the power tool before making any adjustments, changing accessories, or storing power tools.** Such preventive safety measures reduce the risk of starting the power tool accidentally.
- d. **Store idle power tools out of the reach of children and do not allow persons unfamiliar with the power tool or these instructions to operate the power tool.** Power tools are dangerous in the hands of untrained users.
- e. **Maintain power tools and accessories. Check for misalignment or binding of moving parts, breakage of parts and any other condition that may affect the power tools operation. If damaged, have the power tool repaired before use.** Many accidents are caused by poorly maintained power tools.
- f. **Keep cutting tools sharp and clean.** Properly maintained cutting tools with sharp cutting edges are less likely to bind and are easier to control.

- g. **Use the power tool, accessories and tool bits etc. in accordance with these instructions, taking into account the working conditions and the work to be performed.**

Use of the power tool for operations different from those intended could result in a hazardous situation.

- h. **Keep handles and grasping surfaces dry, clean and free from oil and grease.** Slippery handles and grasping surfaces do not allow for safe handling and control of the tool in unexpected situations.

5. Battery tool use and care

- a. **Recharge only with the charger specified by the manufacturer.** A charger that is suitable for one type of battery pack may create a risk of fire when used with another battery pack.

- b. **Use power tools only with specifically designated battery packs.** Use of any other battery packs may create a risk of injury and fire.

- c. **When battery pack is not in use, keep it away from other metal objects, like paper clips, coins, keys, nails, screws, or other small metal objects, that can make a connection from one terminal to another.** Shorting the battery terminals together may cause burns or a fire.

- d. **Under abusive conditions, liquid may be ejected from the battery; avoid contact. If contact accidentally occurs, flush with water. If liquid contacts eyes, additionally seek medical help.** Liquid ejected from the battery may cause irritation or burns.

- e. **Do not use a battery pack or tool that is damaged or modified.** Damaged or modified batteries may exhibit unpredictable behaviour resulting in fire, explosion or risk of injury.

- f. **Do not expose a battery pack or tool to fire or excessive temperature.** Exposure to fire or temperature above 130 °C may cause explosion.

- g. **Follow all charging instructions and do not charge the battery pack or tool outside the temperature range specified in the instructions.** Charging improperly or at temperatures outside the specified range may damage the battery and increase the risk of fire.

6. Service

- a. **Have your power tool serviced by a qualified repair person using only identical replacement parts.**

This will ensure that the safety of the power tool is maintained

- b. **Never service damaged battery packs.** Service of battery packs should only be performed by the manufacturer or authorized service providers.

Additional power tool safety warnings



Warning! Additional safety warnings for jigsaws and reciprocating saws

- ◆ **Hold the power tool by insulated gripping surfaces, when performing an operation where the cutting accessory may contact hidden wiring.** Cutting accessory contacting a "live" wire may make exposed metal parts of the power tool "live" and could give the operator an electric shock.
- ◆ **Use clamps or another practical way to secure and support the workpiece to a stable platform.** Holding the work by hand or against your body leaves it unstable and may lead to loss of control.
- ◆ **Keep hands away from cutting area.** Never reach underneath the work piece any reason. Do not insert fingers or thumb into the vicinity of the reciprocating blade and blade clamp. Do not stabilize the saw by gripping the shoe.
- ◆ **Keep blades sharp.** Dull or damaged blades may cause the saw to swerve or stall under pressure. Always use the appropriate type of saw blade for the workpiece material and type of cut.
- ◆ **When cutting pipe or conduit, make sure that they are free from water, electrical wiring, etc.**
- ◆ **Do not touch the workpiece or the blade immediately after operating the tool.** They can become very hot.
- ◆ **Be aware of hidden hazards, before cutting into walls, floors or ceilings, check for the location of wiring and pipes.**
- ◆ **The blade will continue to move after releasing the switch.** Always switch the tool off and wait for the saw blade to come to a complete standstill before putting the tool down.

Warning! Contact with, or inhalation of dusts arising from cutting applications may endanger the health of the operator and possible bystanders. Wear a dust mask specifically designed for protection against dust and fumes and ensure that persons within or entering the work area are also protected.

- ◆ The intended use is described in this instruction manual.
- ◆ The use of any accessory or attachment or performance of any operation with this tool other than those recommended in this instruction manual may present a risk of personal injury and/or damage to property.

Safety of others

- ◆ This tool is not intended for use by persons (including children) with reduced physical, sensory or mental capabilities, or lack of experience and knowledge, unless they

have been given supervision or instruction concerning use of the appliance by a person responsible for their safety.

- ◆ Children should be supervised to ensure that they do not play with the appliance.

Residual risks

Additional residual risks may arise when using the tool which may not be included in the enclosed safety warnings. These risks can arise from misuse, prolonged use etc.

Even with the application of the relevant safety regulations and the implementation of safety devices, certain residual risks can not be avoided. These include:

- ◆ Injuries caused by touching any rotating/moving parts.
- ◆ Injuries caused when changing any parts, blades or accessories.
- ◆ Injuries caused by prolonged use of a tool. When using any tool for prolonged periods ensure you take regular breaks.
- ◆ Impairment of hearing.
- ◆ Health hazards caused by breathing dust developed when using your tool (example:- working with wood, especially oak, beech and MDF.)

Vibration

The declared vibration emission values stated in the technical data and the declaration of conformity have been measured in accordance with a standard test method provided by EN 62841 and may be used for comparing one tool with another.

The declared vibration emission value may also be used in a preliminary assessment of exposure.

Warning! The vibration emission value during actual use of the power tool can differ from the declared value depending on the ways in which the tool is used. The vibration level may increase above the level stated.

When assessing vibration exposure to determine safety measures required by 2002/44/EC to protect persons regularly using power tools in employment, an estimation of vibration exposure should consider, the actual conditions of use and the way the tool is used, including taking account of all parts of the operating cycle such as the times when the tool is switched off and when it is running idle in addition to the trigger time.

Labels on tool

The following pictograms along with the date code are shown on the tool:



Warning! To reduce the risk of injury, the user must read the instruction manual.



Visible radiation. Do not stare into light.

Additional safety instructions for batteries and chargers

Batteries

- ◆ Never attempt to open for any reason.
- ◆ Do not expose the battery to water.
- ◆ Do not store in locations where the temperature may exceed 40 °C.
- ◆ Charge only at ambient temperatures between 10 °C and 40 °C.
- ◆ Charge only using the charger provided with the tool.
- ◆ When disposing of batteries, follow the instructions given in the section "Protecting the environment".



Do not attempt to charge damaged batteries.

Chargers

- ◆ Use your STANLEY FATMAX charger only to charge the battery in the tool with which it was supplied. Other batteries could burst, causing personal injury and damage.
- ◆ Never attempt to charge non-rechargeable batteries.
- ◆ Have defective cords replaced immediately.
- ◆ Do not expose the charger to water.
- ◆ Do not open the charger.
- ◆ Do not probe the charger.



The charger is intended for indoor use only.



Read the instruction manual before use.

Electrical safety



Your charger is double insulated; therefore no earth wire is required. Always check that the mains voltage corresponds to the voltage on the rating plate. Never attempt to replace the charger unit with a regular mains plug.

- ◆ If the supply cord is damaged, it must be replaced by the manufacturer or an authorised STANLEY FATMAX Service Centre in order to avoid a hazard.

Features

This tool includes some or all of the following features.

1. Battery
2. Battery release button
3. Main handle
4. Variable-speed trigger
5. Lock-off button
6. Tool free blade release
7. Blade

8. Keyless bevel lever
9. Shoe
10. Shoe cover
11. Orbital action selector

Assembly



Warning! Before assembly, remove the battery from the tool and make sure that the saw blade has stopped. Used saw blades may be hot.

Charging the battery (Fig. A)

The battery needs to be charged before first use and whenever it fails to produce sufficient power on jobs that were easily done before.

The battery may become warm while charging; this is normal and does not indicate a problem.

Warning! Do not charge the battery at ambient temperatures below 10 °C or above 40 °C. Recommended charging temperature: approx. 24 °C.

Note: The charger will not charge a battery if the cell temperature is below approximately 10 °C or above 40 °C. The battery should be left in the charger and the charger will begin to charge automatically when the cell temperature warms up or cools down.

Note: To ensure maximum performance and life of lithium-ion battery packs, charge the battery pack fully before first use.

- ◆ Plug the charger (12) into an appropriate outlet before inserting battery pack (1).
- ◆ The green charging light (12a) will blink continuously indicating that the charging process has started.
- ◆ The completion of charge will be indicated by the green charging light (12a) remaining ON continuously. The battery pack (1) is fully charged and may be removed and used at this time or left in the charger (12).
- ◆ Charge discharged batteries within 1 week. Battery life will be greatly diminished if stored in a discharged state.

Charger LED Modes

	Charging: Green LED Intermittent	
	Fully Charged: Green LED Solid	
	Hot/Cold Pack Delay: Green LED Intermittent Red LED Solid	

Note: The compatible charger(s) will not charge a faulty battery pack. The charger will indicate a faulty battery pack by refusing to light.

Note: This could also mean a problem with a charger. If the charger indicates a problem, take the charger and battery pack to be tested at an authorized service centre.

Leaving the battery in the charger

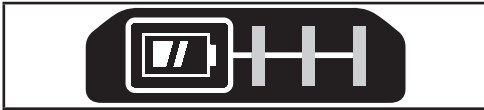
The charger and battery pack can be left connected with the LED glowing indefinitely. The charger will keep the battery pack fresh and fully charged.

Hot/Cold Pack Delay

When the charger detects a battery that is too hot or too cold, it automatically starts a Hot/Cold Pack Delay, the green LED (12a) will flash intermittently, while the red LED (12b) will remain on continuously, suspending charging until the battery has reached an appropriate temperature. The charger then automatically switches to the pack charging mode. This feature ensures maximum battery life.

Battery state of charge indicator (Fig. B)

The battery includes a state of charge indicator to quickly determine the extent of battery life as shown in figure B. By pressing the state of charge button (1a) you can easily view the charge remaining in the battery as illustrated in figure B.



Installing and Removing the Battery Pack from the tool

Warning! Make certain the lock-off button is engaged to prevent switch actuation before removing or installing battery.

To install battery pack (Fig. C)

- ◆ Insert battery pack (1) firmly into tool until an audible click is heard as shown in figure C. Ensure battery pack is fully seated and fully latched into position.

To remove battery pack (Fig. C)

- ◆ Depress the battery release button (2) as shown in figure C and pull battery pack out of tool.

Fitting and removing the saw blade (Fig. D)

- ◆ Hold the saw blade (7) with the teeth facing forward.
- ◆ Push the saw blade release lever (6) downwards.
- ◆ Insert the shank of the blade fully into the blade clamp as far as it will go.
- ◆ Release the lever.
- ◆ To remove saw blade (7), push the saw blade release lever (6) downwards and pull the blade out.



Warning! The blade may become hot after use. Always wear gloves when removing a blade.

Switching on and off (Fig. F)

- ◆ To switch on, slide the lock off button (5) to the left then pull and hold the variable speed trigger switch (4).
- ◆ To switch off, release the trigger switch (4).



Warning! Do not switch the tool on or off while under load.



Warning! Always slide the lock off button (5) to the right, the locked position when the tool is not in use.

Variable speed control

The variable speed on/off switch offers a choice of speeds for greatly improved cutting rates in various materials.

- The speed is determined by the amount the trigger switch (4) is pulled.

Removeable anti-scratch shoe cover (Fig. E)

The anti-scratch shoe cover (10) should be used when cutting surfaces that scratch easily, such as laminate, veneer or paint. To attach anti-scratch shoe cover (10), place the front of the aluminum shoe (9) into the front of the anti-scratch shoe cover and lower the jig saw. The anti-scratch shoe cover will click securely onto the rear of aluminum shoe.

To remove anti-scratch shoe cover, grasp the anti-scratch shoe cover from the bottom; holding onto the two rear tabs remove the anti-scratch shoe cover.

Correct hand position (Fig. F)

Warning! To reduce the risk of serious personal injury, ALWAYS use proper hand position as shown.

Warning! To reduce the risk of serious personal injury, ALWAYS hold securely in anticipation of a sudden reaction. Proper hand position requires one hand on the main handle (3).

Beveling the shoe (Fig. G)

- ◆ To unlock the shoe, pull the keyless bevel lever (8) to the side.
- ◆ To lock the shoe, push the keyless bevel lever (8) back under the body of the jigsaw.

To bevel the shoe

- ◆ Unlock the shoe.
- ◆ Slide the shoe (9) forward to release it from the 0° positive stop position.
- ◆ The shoe can be beveled to the left or to the right and has detents at 0°, 22.5° and 45°. The shoe can be manually stopped at any degree between 0° and 45°.
- ◆ Once the desired bevel angle is achieved, lock the shoe into place.

To set shoe back to 0°

- ◆ Unlock the shoe.
- ◆ Rotate the shoe back to 0°.
- ◆ Slide the shoe back into the 0° positive stop position.
- ◆ Lock the shoe.

Cutting (Fig. H)

Warning! Always use eye protection. All users and bystanders must wear eye protection.

Warning! Exercise extra caution when cutting towards operator. Always hold saw firmly while cutting.

The blade should extend past the pivoting shoe and the thickness of the workpiece throughout the cut. Select the blade best suitable for the material to be cut and use the shortest blade suitable for the thickness of the material.

Cutting action

Orbital or straight (Fig. I)

Warning! Check that the tool is not locked on before connecting it to a power supply. If the trigger switch is locked on when the tool is connected to the power supply, it will start immediately. Damage to your tool or personal injury may result. This jig saw is equipped with four cutting actions, three orbital and one straight. 1 Orbital action has a more aggressive blade motion and is designed for cutting in soft materials like wood or plastic. 2 Orbital action is suitable for thick wood pieces. 3 Orbital action provides a faster cut, but with a less smooth cut across the material. In orbital action, the blade moves forward during the cutting stroke in addition to the up and down motion.

Note: Metal or hardwoods should never be cut in orbital action.

To adjust the cutting action

- ◆ Move the orbital action selector (11) between the four cutting positions: 0, 1, 2 and 3. Position 0 is straight cutting. Positions 1, 2 and 3 are orbital cutting. The aggressiveness of the cut increases as the orbital action selector is adjusted from one to three, with three being the most aggressive cut.

Hints for optimum use

Tips for sawing laminates

- ◆ As the saw blade cuts on the upward stroke, splintering may occur on the surface closest to the shoe plate.
- ◆ Use a fine-tooth saw blade.
- ◆ Saw from the back surface of the workpiece.
- ◆ To minimize splintering, clamp a piece of scrap wood or hardboard to both sides of the workpiece and saw through this sandwich.

Tips for sawing metal

- ◆ Be aware that sawing metal takes much more time than sawing wood.
- ◆ Use a saw blade suitable for sawing metal.
- ◆ When cutting thin metal, clamp a piece of scrap wood to the back surface of the workpiece and cut through this sandwich.
- ◆ Spread a film of oil along the intended line of cut for easier operation and longer blade life. For cutting aluminum, kerosene is preferred.

Pocket cutting (Fig. J, K)

A pocket cut is an easy method of making an inside cut.

The saw can be inserted directly into a panel or board without first drilling a lead or pilot hole. In pocket cutting, measure the surface to be cut and mark clearly with a pencil.

Next tip the saw forward until the front end of the shoe sits firmly on the work surface and the blade clears the work through its full stroke. Switch the tool on and allow it to attain maximum speed. Grip the saw firmly and lower the back edge of tool slowly until the blade reaches its complete depth. Hold the shoe flat against the wood and begin cutting. Do not remove blade from cut while it is still moving. Blade must come to a complete stop.

Accessories

The performance of your tool depends on the accessory used. STANLEY FATMAX accessories are engineered to high quality standards and designed to enhance the performance of your tool. By using these accessories you will get the very best from your tool. This tool is suitable both for U-shank and T-shank saw blades.

Maintenance

Your STANLEY FATMAX tool has been designed to operate over a long period of time with a minimum of maintenance. Continuous satisfactory operation depends upon proper tool care and regular cleaning.

Your charger does not require any maintenance apart from regular cleaning.



Warning! Before performing any maintenance on the tool, remove the battery from the tool. Unplug the charger before cleaning it.

- Regularly clean the ventilation slots in your tool and charger using a soft brush or dry cloth.
- Regularly clean the motor housing using a damp cloth. Do not use any abrasive or solvent-based cleaner.

Protecting the environment



Separate collection. Products and batteries marked with this symbol must not be disposed of with normal household waste.

Products and batteries contain materials that can be recovered or recycled, reducing demand for raw materials. Please recycle electrical products and batteries according to local provisions. Further information is available at www.2helpU.com

Technical data

SFMC650 (H1)		
Voltage	V _{ac}	18
No-load speed	min ⁻¹	0 - 3200
Stroke length	mm	25.4
Max depth of cut		
Wood	mm	85
Steel	mm	10
Aluminium	mm	25
Weight	kg	1.93

EC declaration of conformity

MACHINERY DIRECTIVE



SFMCS650 Jig saw

Stanley Fatmax declares that these products described under "technical data" are in compliance with:
2006/42/EC, EN62841-1:2015,
EN62841-2-11:2016+A1:2020.

These products also comply with Directive 2014/30/EU and 2011/65/EU. For more information, please contact Stanley Fatmax at the following address or refer to the back of the manual.

The undersigned is responsible for compilation of the technical file and makes this declaration on behalf of
Stanley Fatmax.

Patrick Diepenbach
General Manager, Benelux
Stanley Fatmax,
Egide Walschaertsstraat 14-18
2800 Mechelen, Belgium
22/07/2022

Guarantee

STANLEY FATMAX is confident of the quality of its products and offers consumers a 12 month guarantee from the date of purchase. This guarantee is in addition to and in no way prejudices your statutory rights. The guarantee is valid within the territories of the Member States of the European Union and the European Free Trade Area and the United Kingdom. To claim on the guarantee, the claim must be in accordance with STANLEY FATMAX Terms and Conditions and you will need to submit proof of purchase to the seller or an authorised repair agent.

Terms and conditions of the STANLEY FATMAX 1 year guarantee and the location of your nearest authorised repair agent can be obtained on the Internet at www.2helpU.com, or by contacting your local STANLEY FATMAX office at the address indicated in this manual.

Please visit our website www.stanleytools.eu/3 to register your new STANLEY FATMAX product and receive updates on new products and special offers.

Charger		SFMCB11	SFMCB12	SFMCB14
Input Voltage	V _{AC}	230	230	230
Output Voltage	V _{DC}	18	18	18
Current	A	1.25	2	4

Battery		SFMCB201	SFMCB202	SFMCB204	SFMCB206
Voltage	V _{DC}	18	18	18	18
Capacity	Ah	1.5	2.0	4.0	6.0
Type		Li-Ion	Li-Ion	Li-Ion	Li-Ion

Level of sound pressure according to EN62841: L _{PA} (sound pressure) 84 dB(A), Uncertainty (K) 5 dB(A)
L _{WA} (sound power) 95 dB(A), Uncertainty (K) 5 dB(A)
Vibration total values (triax vector sum) according to EN62841: Cutting boards (a _{h, v}) 4.5 m/s ² , uncertainty (K) 1.5 m/s ²
Cutting sheet metal (a _{h, v}) 6.4 m/s ² , uncertainty (K) 1.5 m/s ²

Declaration of Conformity

Supply of Machinery (Safety)
Regulations 2008



SFMCS650 Jig saw

Stanley Fatmax declares that these products described under "technical data" are in compliance with:

The Supply of Machinery (Safety) Regulations, 2008, S.I.
2008/1597 (as amended),
EN62841-1:2015, EN62841-2-11:2016+A1:2020.

These products conform to the following UK Regulations:
Electromagnetic Compatibility Regulations, 2016,
S.I.2016/1091 (as amended).

The Restriction of the Use of Certain Hazardous Substances in Electrical and Electronic Equipment Regulations 2012, S.I.
2012/3032 (as amended).

For more information, please contact Stanley Fatmax at the following address or refer to the back of the manual.

The undersigned is responsible for compilation of the technical file and makes this declaration on behalf of
Stanley Fatmax

Karl Evans
Vice President - Professional Power Tools
Stanley Fatmax UK, 270 Bath Road, Slough
Berkshire, SL1 4DX
United Kingdom
22/07/2022

Verwendungszweck

Ihre STANLEY FATMAX-Stichsäge SFMCS650 wurde zum Sägen von Holz, Kunststoff und Metallblechen entwickelt. Dieses Gerät ist zum gewerblichen und privaten Einsatz vorgesehen.

Sicherheitshinweise

Allgemeine Sicherheitswarnhinweise für Elektrowerkzeuge



Warnung! Beachten Sie alle Sicherheitshinweise, Anweisungen, Darstellungen und Daten, die Sie mit dem Gerät erhalten. Wenn Sie die folgenden Anweisungen nicht beachten, kann es zu elektrischem Schlag, Feuer und/oder schweren Verletzungen kommen.

Bewahren Sie alle Warnhinweise und alle Anweisungen auf. Der Begriff „Elektrowerkzeug“ in den Warnhinweisen bezieht sich auf Ihr netzbetriebenes Elektrowerkzeug (mit Kabel) oder auf Ihr akkubetriebenes (kabelloses) Elektrowerkzeug.

1. Sicherheit im Arbeitsbereich

- a. **Halten Sie den Arbeitsbereich sauber und gut ausgeleuchtet.** Unaufgeräumte oder dunkle Bereiche begünstigen Unfälle.
- b. **Verwenden Sie die Geräte nicht in Umgebungen, in denen Explosionsgefahr z. B. aufgrund von brennbaren Flüssigkeiten, Gasen oder Staub besteht.** Elektrowerkzeuge erzeugen Funken, die den Staub oder die Dämpfe entzünden können.
- c. **Halten Sie Kinder und andere Personen während der Benutzung eines Geräts fern.** Ablenkung kann dazu führen, dass Sie die Kontrolle über das Gerät verlieren.

2. Elektrische Sicherheit

- a. **Der Netzstecker des Geräts muss in die Steckdose passen. Ändern Sie niemals den Stecker in irgendeiner Form.**
Verwenden Sie keinerlei Adapterstecker an geerdeten Elektrogeräten. Unveränderte Stecker und passende Steckdosen mindern die Gefahr eines elektrischen Schlages.
- b. **Vermeiden Sie Körperkontakt mit geerdeten Oberflächen von Rohren, Heizungen, Herden und Kühlschränken.** Es besteht eine erhöhte Gefahr für einen elektrischen Schlag, wenn Ihr Körper geerdet ist.
- c. **Halten Sie Geräte von Regen und Feuchtigkeit fern.** Wenn Wasser in das Elektrogerät eindringt, erhöht sich die Gefahr eines elektrischen Schlages.

- d. **Verwenden Sie das Kabel ordnungsgemäß. Verwenden Sie niemals das Kabel, um das Elektrogerät zu tragen oder durch Ziehen vom Netz zu trennen.**
Halten Sie das Kabel fern von Hitze, Öl, scharfen Kanten oder beweglichen Teilen. Beschädigte oder verhedderte Kabel erhöhen die Gefahr eines elektrischen Schlages.
- e. **Verwenden Sie nur für den Außenbereich zugelassene Verlängerungskabel, wenn Sie mit dem Gerät im Freien arbeiten.** Die Verwendung von für den Außeneinsatz geeigneten Kabeln mindert die Gefahr eines elektrischen Schlages.
- f. **Wenn das Gerät in einer feuchten Umgebung verwendet werden muss, schließen Sie es unbedingt an eine Steckdose mit Fehlerstromschutzschalter (RCD).** Der Einsatz eines Fehlerstromschutzschalters mindert die Gefahr eines elektrischen Schlages.

3. Persönliche Sicherheit

- a. **Verwenden Sie das Gerät aufmerksam und vernünftig. Benutzen Sie kein Elektrowerkzeug, wenn Sie müde sind oder unter dem Einfluss von Drogen, Alkohol oder Medikamenten stehen.** Ein Moment der Unachtsamkeit beim Betrieb eines Elektrogerätes kann zu schweren Verletzungen führen.
- b. **Tragen Sie persönliche Schutzausrüstung. Tragen Sie immer einen Augenschutz.** Das Tragen persönlicher Schutzausrüstung, wie Staubmaske, rutschfeste Sicherheitsschuhe, Schutzhelm oder Gehörschutz, je nach Art und Einsatz des Elektrowerkzeugs, verringert das Risiko von Verletzungen.
- c. **Vermeiden Sie eine unbeabsichtigte Inbetriebnahme. Vergewissern Sie sich, dass der Schalter in der AUS-Position ist, bevor Sie das Gerät an die Stromversorgung und/oder an den Akku anschließen oder wenn Sie das Gerät aufnehmen oder tragen.**
Wenn Sie beim Tragen des Elektrowerkzeugs den Finger am Schalter haben oder das Gerät eingeschaltet an die Stromversorgung anschließen, kann dies zu Unfällen führen.
- d. **Entfernen Sie alle Einstellschlüssel oder Werkzeuge, bevor Sie das Elektrogerät einschalten.** Werkzeuge oder Schlüssel, die an rotierenden Teilen des Elektrogerätes angebracht sind, können zu Verletzungen führen.
- e. **Vermeiden Sie eine anormale Körperhaltung. Sorgen Sie für einen sicheren Stand und halten Sie jederzeit das Gleichgewicht.** Dadurch können Sie das Elektrowerkzeug in unerwarteten Situationen besser kontrollieren.

- f. **Tragen Sie geeignete Kleidung. Tragen Sie keine weite Kleidung und keinen Schmuck.**

Halten Sie Ihre Haare und Kleidung von beweglichen Teilen fern. Lose sitzende Kleidung, Schmuck oder lange Haare können sich in den beweglichen Teilen verfangen.

- g. **Falls Staubabsaug- und -fangvorrichtungen vorhanden sind, vergewissern Sie sich, dass diese angeschlossen sind und richtig verwendet werden.** Der Einsatz von Staubsammlern kann staubbedingte Gefahren mindern.
- h. **Vermeiden Sie, durch die häufige Nutzung des Werkzeugs in einen Trott zu verfallen und Prinzipien für die Werkzeugsicherheit zu ignorieren.** Eine unachtsame Aktion kann im Bruchteil einer Sekunde zu schweren Verletzungen führen.

4. Gebrauch und Pflege von Elektrowerkzeugen

- a. **Überlasten Sie das Gerät nicht. Verwenden Sie das für Ihre Arbeit passende Elektrogerät.**

Das richtige Gerät wird die Aufgabe besser und sicherer erledigen, wenn es bestimmungsgemäß verwendet wird.

- b. **Verwenden Sie das Gerät nicht, wenn der Ein-/Ausschalter nicht funktioniert.** Ein Elektrowerkzeug, das sich nicht mehr ein- oder ausschalten lässt, ist gefährlich und muss repariert werden.

- c. **Trennen Sie den Stecker vom Netz und/oder entfernen Sie die Akkus, falls abnehmbar, vom Elektrogerät, bevor Sie Einstellungen am Gerät vornehmen, Zubehör wechseln oder es aufbewahren.** Diese Vorbeugemaßnahmen mindern die Gefahr, dass das Elektrogerät unbeabsichtigt startet.

- d. **Bewahren Sie unbenutzte Geräte außerhalb der Reichweite von Kindern auf. Lassen Sie Geräte nicht von Personen benutzen, die damit nicht vertraut sind oder diese Anweisungen nicht gelesen haben.** Elektrogeräte sind in den Händen nicht geschulter Personen gefährlich.

- e. **Pflegen Sie Elektrowerkzeuge und Zubehör. Prüfen Sie, ob bewegliche Teile verzogen oder ausgeschlagen, ob Teile gebrochen oder in einem Zustand sind, der den Betrieb des Elektrogerätes beeinträchtigen kann. Bei Beschädigungen lassen Sie das Elektrogerät reparieren, bevor Sie es verwenden.** Viele Unfälle entstehen wegen mangelnder Wartung der Elektrogeräte.

- f. **Halten Sie Schneidwerkzeuge scharf und sauber.** Richtig gewartete Schneidwerkzeuge mit scharfen Klingen blockieren seltener und sind leichter unter Kontrolle zu halten.

- g. **Verwenden Sie Elektrogeräte, Zubehör und Einsätze (Bits) usw. gemäß diesen Anweisungen und unter Berücksichtigung der Arbeitsbedingungen und der Aufgabe.**

Wenn Sie das Elektrogerät für Aufgaben verwenden, die nicht bestimmungsgemäß sind, kann dies zu gefährlichen Situationen führen.

- h. **Halten Sie die Griffe trocken, sauber und frei von Öl und Fett.** Rutschige Griffe und Oberflächen unterbinden die sichere Bedienbarkeit und Kontrolle über das Werkzeug in unerwarteten Situationen.

5. Gebrauch und Pflege von Akkuwerkzeugen

- a. **Laden Sie die Akkus nur in Ladegeräten auf, die vom Hersteller angegeben wurden.** Für ein Ladegerät, das nur für eine bestimmte Akkuart geeignet ist, besteht Brandgefahr, wenn es mit anderen Akkus verwendet wird.

- b. **Verwenden Sie nur die für das jeweilige Gerät vorgesehenen Akkus.** Die Verwendung anderer Akkus kann zu Verletzungen oder Bränden führen.

- c. **Bewahren Sie den Akku bei Nichtbenutzung nicht in der Nähe metallischer Objekte wie Büroklammern, Münzen, Schlüsseln, Nägeln oder Schrauben auf, da diese eine Verbindung zwischen beiden Polen des Akkus herstellen können.** Durch den dadurch entstehenden Kurzschluss kann der Akku in Brand geraten.

- d. **Bei falscher Anwendung kann Flüssigkeit aus dem Akku austreten. Vermeiden Sie den Kontakt damit. Bei unbeabsichtigtem Kontakt mit Wasser abspülen. Gelangt die Flüssigkeit in die Augen, ziehen Sie außerdem ärztliche Hilfe hinzu.** Austretende Akkufflüssigkeit kann zu Hautreizungen oder Verbrennungen führen.

- e. **Verwenden Sie kein Akkupack oder Werkzeug, das beschädigt ist oder modifiziert wurde.** Beschädigte oder modifizierte Akkus können unvorhersehbare Reaktionen auslösen und zu Bränden, Explosionen oder Verletzungen führen.

- f. **Setzen Sie das Akkupack oder Werkzeug keinem Feuer oder übermäßig hohen Temperaturen aus.** Die Belastung durch Feuer oder Temperaturen über 130 °C kann zur Explosion führen.

- g. **Befolgen Sie alle Ladeanweisungen und laden Sie das Akkupack oder Werkzeug nicht außerhalb des in den Anweisungen festgelegten Temperaturbereichs auf.** Ein unsachgemäßer Ladevorgang oder Temperaturen außerhalb des festgelegten Bereichs können den Akku schädigen und die Brandgefahr erhöhen.

6. Service

- a. **lassen Sie das Gerät nur von qualifiziertem Fachpersonal und nur mit Originalersatzteilen reparieren.** Damit wird sichergestellt, dass die Sicherheit des Gerätes erhalten bleibt.
- b. **Führen Sie niemals Wartungsarbeiten an beschädigten Akkus durch.** Die Wartung von Akkupacks darf nur vom Hersteller selbst oder autorisierten Dienstleistern durchgeführt werden.

Zusätzliche Sicherheitswarnungen für Elektrowerkzeuge



Warnung! Zusätzliche Sicherheitswarnungen für Stichsagen und Pendelsägen

- ◆ **Halten Sie das Elektrowerkzeug an den isolierten Griffflächen, wenn Arbeiten durchgeführt werden, bei denen das Schneidgerät versteckte Leitungen berühren könnte.** Der Kontakt des Schneidwerkzeugs mit einer spannungsführenden Leitung kann auch metallene Geräteteile unter Spannung setzen und zu einem elektrischen Schlag führen.
- ◆ **Sichern Sie das Werkstück zum Beispiel mit Einspannvorrichtungen auf einer stabilen Plattform.** Das Werkstück ist instabil, wenn es mit der Hand oder dem Körper abgestützt wird, was zum Verlust der Kontrolle führen kann.
- ◆ **Halten Sie Ihre Hände vom Sägebereich fern.** Greifen Sie niemals unter das zu schneidende Werkstück. Bewegen Sie Ihre Finger nicht in die Nähe des sich bewegenden Sägeblattes und dessen Klemme. Versuchen Sie nicht, die Säge zu stabilisieren, indem Sie diese am Sägeschuh halten.
- ◆ **Halten Sie die Sägeblätter scharf.** Stumpfe oder beschädigte Sägeblätter können dazu führen, dass die Säge unter Druck blockiert oder ausbricht. Verwenden Sie immer ein für das jeweilige Werkstück und die Art des Schnittes geeignetes Sägeblatt.
- ◆ **Achten Sie beim Sägen von Rohren oder Leitungen darauf, dass diese frei von Wasser, Stromkabeln und Ähnlichem sind.**
- ◆ **Berühren Sie das Werkstück oder das Sägeblatt nicht direkt nach dem Gebrauch.** Sie können sehr heiß werden.
- ◆ **Achten Sie auch auf nicht sichtbare Gefahren, wenn Sie in Wände, Böden oder Decken sägen. Prüfen Sie diese Stellen auf dahinter liegende Kabel oder Rohre.**
- ◆ **Das Sägeblatt bewegt sich auch dann noch, wenn Sie den Schalter losgelassen haben.** Schalten Sie das Gerät vor dem Ablegen stets aus, und warten Sie, bis das Sägeblatt zum Stillstand gekommen ist.

Warnung! Die Berührung und das Einatmen von Stäuben, die beim Sägen von Materialien entstehen, können beim Bediener und bei Zuschauern gesundheitliche Schäden

verursachen. Tragen Sie eine speziell für den Schutz vor Staub und Dämpfen vorgesehene Staubmaske, und stellen Sie sicher, dass auch andere Personen entsprechend geschützt sind, die den Arbeitsplatz betreten oder sich dort aufhalten.

- ◆ Die bestimmungsgemäße Verwendung ist in dieser Betriebsanleitung beschrieben.
- ◆ Das Verwenden anderer als der in dieser Anleitung empfohlenen Vorsatzgeräte und Zubehörteile oder die Ausführung von Arbeiten mit diesem Elektrowerkzeug, die nicht der bestimmungsgemäßen Verwendung entsprechen, kann zu Verletzungsgefahren und Sachschäden führen.

Sicherheit von Anderen

- ◆ Dieses Gerät darf nicht von Personen (einschließlich Kindern) mit eingeschränkten körperlichen, sensorischen oder geistigen Fähigkeiten oder mangelnder Erfahrung und Wissen in Bezug auf dessen Gebrauch bedient werden, es sei denn, sie werden bei der Verwendung des Geräts von einer erfahrenen Person beaufsichtigt oder angeleitet.
- ◆ Kinder müssen beaufsichtigt werden, um sicherzustellen, dass sie nicht mit dem Gerät spielen.

Restrisiken

Zusätzliche Restrisiken können auftreten, wenn das Werkzeug verwendet wird, das möglicherweise nicht in den Sicherheitswarnungen enthalten ist. Diese Risiken können aus Missbrauch, verlängerter Nutzung usw. resultieren. Selbst unter Beachtung der geltenden Sicherheitsvorschriften und des Einsatzes von Schutzvorrichtungen können bestimmte Risiken nicht vermieden werden. Diese sind:

- ◆ Verletzungen, die durch das Berühren von sich drehenden/bewegenden Teilen verursacht werden.
- ◆ Verletzungen, die durch das Austauschen von Teilen, Messern oder Zubehör verursacht werden.
- ◆ Verletzungen, die durch längeren Gebrauch eines Geräts verursacht werden. Bei der längeren Verwendung eines Werkzeugs ist sicherzustellen, dass regelmäßige Pausen eingelegt werden.
- ◆ Schwerhörigkeit.
- ◆ Gesundheitsrisiken durch das Einatmen von Staub beim Gebrauch des Geräts (beispielsweise bei Holzarbeiten, insbesondere Eiche, Buche und Pressspan).

Schwingung

Die in den Abschnitten „Technische Daten“ und „EU-Konformitätserklärung“ angegebenen Werte für die Vibrationsemission wurden mit einer Standard-Prüfmethode nach EN 62841 ermittelt und können zum Vergleich verschiedener Geräte herangezogen werden. Die erklärten Schwingungsemissionswerte können auch in einer vorläufigen Expositionsbewertung verwendet werden.

Warnung! Der Schwingungsemissionswert während der

tatsächlichen Verwendung des Elektrowerkzeugs kann in Abhängigkeit von den Arten, auf die das Werkzeug verwendet wird, vom erklärten Wert abweichen. Das Schwingungsniveau kann das angegebene Niveau übersteigen.

Bei der Bewertung der Schwingungsexposition zur Festlegung der durch die Richtlinie 2002/44/EG erforderlichen Sicherheitsmaßnahmen zum Schutz von Personen, die bei ihrer Beschäftigung regelmäßig Elektrowerkzeuge verwenden, muss eine Schätzung der Schwingungsexposition die tatsächlichen Nutzungsbedingungen und die Art berücksichtigen, auf die das Werkzeug verwendet wird, einschließlich der Beachtung aller Teile des Betriebszyklus, wie die Male, die das Werkzeug ausgeschaltet wird und wenn es im Ruhemodus läuft zusätzlich zur Auslösezeit.

Etiketten am Werkzeug

Die folgenden Bildsymbole werden zusammen mit dem Datumscode werden auf dem Werkzeug ausgewiesen:



Warnung! Zur Reduzierung der Verletzungsgefahr muss der Nutzer die Betriebsanleitung lesen.



Sichtbare Strahlung. Blicken Sie nicht in den Strahl.

Zusätzliche Sicherheitshinweise für Akkus und Ladegeräte

Akkus

- ◆ Keinesfalls versuchen, den Akku zu öffnen.
- ◆ Achten Sie darauf, dass der Akku nicht mit Wasser in Berührung kommt.
- ◆ Nicht bei Temperaturen über 40 °C lagern.
- ◆ Laden Sie den Akku nur bei Umgebungstemperaturen von 10 °C bis 40 °C.
- ◆ Verwenden Sie ausschließlich das mitgelieferte Ladegerät.
- ◆ Beachten Sie bei der Entsorgung von Batterien und Akkus die Hinweise im Abschnitt "Umweltschutz".



Versuchen Sie nie, beschädigte Akkus aufzuladen.

Ladegeräte

- ◆ Verwenden Sie das STANLEY FATMAX Ladegerät nur für den Akku des Werkzeugs, mit dem es geliefert wurde. Andere Akkus könnten platzen und Sachschäden oder Verletzungen verursachen.
- ◆ Versuchen Sie keinesfalls, nicht aufladbare Batterien zu laden.
- ◆ Lassen Sie beschädigte Kabel sofort austauschen.
- ◆ Achten Sie darauf, dass das Ladegerät nicht mit Wasser in Berührung kommt.
- ◆ Versuchen Sie nicht, das Ladegerät zu öffnen.

- ◆ Nehmen Sie am Ladegerät keine Veränderungen vor.



Das Ladegerät darf nur im Innenbereich verwendet werden.



Vor Gebrauch die Anleitung lesen.

Elektrische Sicherheit



Das Ladegerät ist schutzisoliert, daher ist keine Erdleitung erforderlich. Stellen Sie sicher, dass die Netzspannung der auf dem Typenschild des Geräts angegebenen Spannung entspricht. Ersetzen Sie das Ladegerät keinesfalls durch ein normales Netzkabel.

- ◆ Bei einer Beschädigung des Netzkabels muss dieses durch den Hersteller oder eine STANLEY FATMAX Vertragswerkstatt ausgetauscht werden, um mögliche Gefahren zu vermeiden.

Merkmale

Dieses Werkzeug umfasst einige oder alle der folgenden Merkmale.

1. Akku
2. Akku-Löseknopf
3. Haupthandgriff
4. Verstellbarer Drehzahlregler
5. Arretierungstaste
6. Werkzeugfreie Sägeblattlösung
7. Klinge
8. Werkzeugfreier Sägeblattlösehebel
9. Schuh
10. Schuhabdeckung
11. Wähler für Orbitalhub

Montage



Warnung! Entfernen Sie vor der Montage den Akku aus dem Gerät, und stellen Sie sicher, dass das Sägeblatt zum Stillstand gekommen ist. Nach Verwendung der Handsäge kann das Sägeblatt heiß sein.

Laden des Akkus (Abb. A)

Der Akku muss vor erstmaliger Benutzung und immer dann aufgeladen werden, wenn das Gerät nicht mehr die volle Leistung bringt. Während des Ladevorgangs kann der Akku warm werden. Das ist normal.

Warnung! Laden Sie den Akku nicht, wenn die Umgebungstemperatur unter 10 °C oder über 40 °C liegt. Empfohlene Ladetemperatur: ca. 24 °C.

Hinweis: Ein Akku, bei dem die Temperatur der Batteriezellen unter ca. 10 °C oder über 40 °C liegt, wird







vom Ladegerät nicht geladen.

Lassen Sie in diesem Fall den Akku im Ladegerät. Das Ladegerät beginnt automatisch mit dem Ladevorgang, sobald sich die Zellen erwärmt bzw. abgekühlt haben.

Hinweis: Um die maximale Leistung und Lebensdauer der Li-Ionen-Akkus zu gewährleisten, laden Sie den Akku vor der ersten Verwendung vollständig auf.

- ◆ Setzen Sie das Ladegerät (12) in eine geeignete Steckdose ein, bevor Sie den Akku (1) einsetzen.
- ◆ Die grüne Leuchte (Aufladen) (12a) blinkt dauerhaft und zeigt dadurch an, dass der Ladevorgang begonnen wurde.
- ◆ Der Abschluss des Ladevorgangs wird dadurch angezeigt, dass das grüne Licht (12a) dauerhaft leuchtet. Der Akku (1) ist vollständig aufgeladen und kann jetzt entnommen oder verwendet oder in der Ladestation (12) gelassen werden.
- ◆ Ein entladener Akku sollte innerhalb einer Woche wieder aufgeladen werden. Die Lebensdauer des Akkus sinkt drastisch, wenn dieser in entladener Zustand aufbewahrt wird.

LED-Modi des Ladegeräts

	Laden: Grüne LED - mit Unterbrechungen	
	Vollständig aufgeladen: Grüne LED - dauerhaft	
	Verzögerung heißer/kalter Akku: Grüne LED - mit Unterbrechungen Rote LED - dauerhaft	

Hinweis: Diese/s kompatible/n Ladegerät/e lädt keine defekten Akkus auf. Das Ladegerät zeigt einen defekten Akku dadurch an, dass es nicht leuchtet.

Hinweis: Dies kann auch auf ein Problem mit dem Ladegerät hinweisen. Wenn das Ladegerät auf ein Problem hinweist, bringen Sie es zusammen mit dem Akku zur Überprüfung zu einer autorisierten Servicestelle.

Belassen des Akkus im Ladegerät

Sie können den Akku auf im Ladegerät belassen. In diesem Fall leuchtet die LED-Anzeige dauerhaft. Das Ladegerät hält den Akku in einem vollständig geladenen Zustand.

Verzögerung heißer/kalter Akku

Wenn das Ladegerät einen zu heißen oder zu kalten Akku erkennt, startet es automatisch die Verzögerung heißer/kalter Akku. Die grüne LED (12a) blinkt dann mit Unterbrechungen, während die rote LED (12b) kontinuierlich leuchtet und den Ladevorgang bis zum Ende des Ladevorgangs unterbricht, bis der Akku eine angemessene Temperatur erreicht hat. Das

Ladegerät schaltet dann automatisch in den Lademodus. Diese Funktion gewährleistet eine maximale Lebensdauer des Akkus.

Akkuladestandsanzeige (Abb. B)

Der Akku besitzt eine Ladestandsanzeige, mit der die Lebensdauer der Batterie wie in Abbildung B dargestellt schnell ermittelt werden kann. Durch Drücken der Ladezustands-Taste (1a) können Sie die im Akku verbleibende Ladung wie in Abbildung B dargestellt anzeigen.



Anbringen und Entfernen des Akkus

Warnung! Der Verriegelungsknopf muss eingerastet sein, damit keine unbeabsichtigte Bedienung des Ein-/Aus-Schalters vor dem Anbringen bzw. Entfernen des Akkus erfolgen kann.

Anbringen des Akkus (Abb. C)

- ◆ Setzen Sie den Akku (1) fest in das Werkzeug ein, bis ein Klicken zu hören ist, wie in Abbildung C gezeigt wird. Achten Sie darauf, dass der Akku vollständig eingesetzt und eingerastet ist.

Entfernen des Akkus (Abb. C)

- ◆ Drücken Sie den Akku-Löseknopf (2) wie in Abbildung C gezeigt und ziehen Sie den Akku aus dem Werkzeug.

Anbringen und Entfernen des Sägeblatts (Abb. D)

- ◆ Halten Sie das Sägeblatt (7) mit den Zähnen nach vorne.
- ◆ Drücken Sie den Hebel zum Lösen des Sägeblatts (6) nach unten.
- ◆ Setzen Sie den Schaft des Sägeblatts vollständig bis zum Anschlag in die Sägeblattklemme ein.
- ◆ Geben Sie den Hebel frei.
- ◆ Drücken Sie zum Entfernen des Sägeblatts (7) den Hebel zum Lösen des Sägeblatts (6) nach unten und ziehen Sie das Sägeblatt heraus.



Warnung! Das Sägeblatt kann nach dem Betriebs heiß sein. Tragen Sie stets Handschuhe beim Entfernen von Sägeblättern.

Ein- und Ausschalten (Abb. F)

- ◆ Bewegen Sie die Einschaltsperr (5) nach links, und betätigen Sie den Auslöser mit Geschwindigkeitsregler (4), um das Gerät einzuschalten.
- ◆ Lassen Sie zum Ausschalten des Geräts den Auslöser (4) wieder los.



Warnung! Schalten Sie das Gerät nicht unter Last ein oder aus.



Warnung! Bewegen Sie die Einschaltsperr (5) stets nach rechts in die verriegelte Stellung, wenn das Gerät nicht verwendet wird.

Geschwindigkeitsregler

Mithilfe des Ein-/Ausschalters mit Geschwindigkeitsregler können unterschiedliche Schnittgeschwindigkeiten für eine besseres Sägergebnis bei verschiedenen Materialien eingestellt werden.

- Die Geschwindigkeit des Geräts wird mit dem Auslöser (4) geregelt.

Abnehmbare Kratzschutz-Schuhabdeckung (Abb. E)

Die Kratzschutz-Schuhabdeckung (10) sollte beim Sägen von Oberflächen verwendet werden, die leicht verkratzen, wie z. B. Laminat, Furnier oder Lack.

Zum Anbringen der Kratzschutz-Schuhabdeckung (10) setzen Sie das Vorderteil des Aluminiumschuhs (9) in das Vorderteil der Kratzschutz-Schuhabdeckung und senken die Stichsäge ab. Die Kratzschutz-Schuhabdeckung rastet fest im hinteren Teil des Aluminiumschuhs ein.

Um die Kratzschutz-Schuhabdeckung abzunehmen, fassen Sie sie am hinteren Ende an und drücken Sie auf die beiden hinteren Laschen, so dass Sie die Abdeckung entfernen können.

Richtige Haltung der Hände (Abb. F)

Warnung! Um die Gefahr schwerer Verletzungen zu mindern, beachten Sie IMMER die richtige Haltung der Hände, wie dargestellt.

Warnung! Um die Gefahr schwerer Verletzungen zu mindern, halten Sie das Gerät IMMER sicher fest und seien Sie auf eine plötzliche Reaktion gefasst.

Bei der korrekten Handposition liegt eine Hand auf dem Haupthandgriff (3).

Gehren des Schuhs (Abb. G)

- Zum Entsperren des Schuhs ziehen Sie den werkzeuglosen Sägeblattlösehebel (8) zur Seite.
- Zum Sperren des Schuhs schieben Sie den werkzeuglosen Sägeblattlösehebel (8) wieder unter das Stichsägegehäuse.

Gehren des Schuhs

- Entsperren Sie den Schuh.
- Schieben Sie den Schuh (9) nach vorne, um ihn aus der positiven Anschlagposition von 0° zu lösen.
- Der Schuh kann nach links oder rechts geneigt werden und hat Arretierungen bei 0°, 22,5° und 45°. Der Schuh kann manuell in jedem Winkel zwischen 0° und 45° arretiert werden.
- Wenn der gewünschte Gehrungswinkel eingestellt wurde, sichern Sie den Schuh an dieser Stelle.

So setzen Sie den Schuh auf 0° zurück

- Entsperren Sie den Schuh.
- Drehen Sie den Schuh auf 0° zurück.
- Schieben Sie den Schuh zurück in die positive Anschlagposition von 0°.
- Sperren Sie den Schuh.

Sägen (Abb. H)

Warnung! Tragen Sie immer einen Augenschutz. Alle Benutzer und Zuschauer müssen einen Augenschutz tragen.

Warnung! Seien Sie beim Sägen in Richtung des Bedieners extrem vorsichtig. Halten Sie die Säge während des Schneidvorgangs stets gut fest.

Das Sägeblatt muss beim Schneiden immer über den verstellbaren Schuh und die Dicke des Werkstücks hinausreichen. Wählen Sie das für das zu sägende Material am besten geeignete Sägeblatt, und verwenden Sie das kürzeste Sägeblatt, das für die Dicke des Materials geeignet ist.

Die Sägebewegung

Orbital oder gerade (Abb. I)

Warnung! Vergewissern Sie sich vor dem Anschließen an das Stromnetz, dass das Gerät nicht in der eingeschalteten Stellung gesperrt ist. Wenn der Auslöser beim Anschließen an das Stromnetz eingeschaltet ist, wird das Gerät sofort gestartet. Dies kann zur Beschädigung des Geräts und zu Verletzungen führen. Diese Stichsäge ist mit vier Sägefunktionen ausgestattet, davon drei orbitale und eine gerade. 1 Die orbitale Funktion besitzt eine Sägeblattbewegung mit mehr Kraft und dient zum Sägen weicher Werkstoffe wie Holz oder Kunststoff. 2 Die orbitale Funktion ist für dicke Holzstücke vorgesehen. 3 Die orbitale Funktion ermöglicht schnellere Schnitte, die jedoch im Werkstoff weniger glatt verlaufen. Bei der orbitalen Funktion bewegt sich das Sägeblatt während des Sägens neben der Auf- und Ab-Bewegung zusätzlich nach vorne.

Hinweis: Metall oder Hartholz darf keinesfalls mit der orbitalen Funktion gesägt werden.

Einstellen der Sägebewegung

- Stellen Sie den Wähler für den Orbitalhub (11) in eine der vier Sägepositionen: 0, 1, 2 und 3. Position 0 ist für gerades Sägen. Die Positionen 1, 2 und 3 sind für orbitales Sägen. Die Kraft beim Sägen erhöht sich, wenn der Wähler für den Orbitalhub von eins auf zwei und drei gestellt wird, wobei drei die Funktion mit der meisten Kraft ist.

Hinweise für einen optimalen Gebrauch

Tipps zum Sägen von Laminat

- Da der Schnittvorgang bei der Aufwärtsbewegung des Sägeblatts erfolgt, kann die Oberfläche des Werkstücks

splittern. Es entsteht dann eine unregelmäßige, ausgefranste Schnittkante.

- ◆ Verwenden Sie ein Sägeblatt mit feiner Zahnung.
- ◆ Drehen Sie das Werkstück um, und setzen Sie die Säge an der Unterseite an.
- ◆ Ausgefranste Kanten und Absplinterungen können Sie auch vermeiden, indem Sie das zu sägende Werkstück zwischen zwei Holz- oder Pressspanplatten einspannen und dieses „Sandwich“ sägen.

Tipps zum Sägen von Metall

- ◆ Beim Sägen von Metall erfolgt der Vorschub wesentlich langsamer als bei Werkstücken aus Holz.
- ◆ Verwenden Sie ein Sägeblatt, das zum Sägen von Metall geeignet ist.
- ◆ Spannen Sie dünnes Metall zum Sägen auf eine Holz- oder Pressspanplatte.
- ◆ Bestreichen Sie die vorgesehene Schnittlinie mit Öl, um den Vorgang zu vereinfachen und die Lebensdauer des Sägeblatts zu verlängern. Zum Schneiden von Aluminium wird Kerosin bevorzugt.

Taschenschnitte (Abb. J, K)

Ein Taschenschnitt ist eine einfache Methode, einen Innenschnitt zu machen.

Die Säge kann direkt in ein Paneel oder Brett eingesetzt werden, ohne dass zuvor eine Führung oder eine Pilotbohrung gebohrt werden muss. Messen Sie beim Taschensägen zuvor die zu schneidende Fläche aus und markieren Sie sie deutlich mit einem Bleistift.

Kippen Sie als nächstes die Säge nach vorne, bis die vordere Kante des Schuhs fest an der Oberfläche des Werkstücks sitzt und das Sägeblatt das Werkstück durch den vollen Hub freigibt. Schalten Sie das Gerät ein und lassen Sie es die maximale Drehzahl erreichen. Halten Sie die Säge gut fest und senken Sie das hintere Ende des Werkzeugs langsam ab, bis das Sägeblatt komplett eingeführt ist. Halten Sie den Schuh flach gegen das Holz und beginnen Sie mit dem Sägen. Nehmen Sie das Sägeblatt nicht aus dem Schnitt, wenn es sich noch bewegt. Das Sägeblatt muss erst vollständig stillstehen.

Zubehör

Das verwendete Zubehör hat wesentlichen Einfluss auf die Leistung des Geräts. Zubehörteile von STANLEY FATMAX erfüllen höchste Qualitätsstandards und wurden speziell für die Verwendung mit Ihrem Gerät entwickelt. Bei Verwendung dieses Zubehörs erhalten Sie stets optimale Ergebnisse. Dieses Werkzeug ist sowohl für Sägeblätter mit U-Schaft als auch für solche mit T-Schaft geeignet.

Wartung

Ihr STANLEY FATMAX-Gerät wurde im Hinblick auf eine lange Lebensdauer und einen möglichst geringen Wartungsaufwand entwickelt. Ein kontinuierlicher, zufriedenstellender Betrieb

hängt von der richtigen Pflege des Gerätes und seiner regelmäßigen Reinigung ab.

Ihr Ladegerät braucht neben der normalen Reinigung keine Wartung.



Warnung! Entfernen Sie vor jeglichen Wartungsarbeiten am Gerät den Akku aus dem Gerät. Ziehen Sie das Ladegerät aus der Netzsteckdose, bevor Sie es reinigen.

- Reinigen Sie regelmäßig die Lüftungsschlitze des Geräts und des Ladegeräts mit einer weichen Bürste oder einem trockenen Tuch.
- Reinigen Sie das Motorgehäuse regelmäßig mit einem feuchten Tuch. Verwenden Sie keine scheuerndes oder lösungsmittelbasiertes Reinigungsmittel.

Umweltschutz



Abfalltrennung. Produkte und Akkus mit diesem Symbol dürfen nicht mit dem normalen Hausmüll entsorgt werden.

Produkte und Akkus enthalten Materialien, die wiederverwertet werden können, um den Bedarf an Rohstoffen zu verringern. Bitte recyceln Sie Elektroprodukte und Batterien gemäß den lokalen Bestimmungen. Weitere Informationen finden Sie auf www.2helpU.com

Technische Daten

SFMC650 (H1)			
Spannung	V_{DC}		18
Leerlaufdrehzahl	min^{-1}		0 - 3200
Hub	mm		25,4
Maximale Schnitttiefe			
Holz	mm		85
Stahl	mm		10
Aluminium	mm		25
Gewicht	kg		1,93

Ladegerät		SFMCB11	SFMCB12	SFMCB14
Eingangsspannung	V_{DC}	230	230	230
Ausgangsspannung	V_{DC}	18	18	18
Stromstärke	A	1,25	2	4

Akku		SFMCB201	SFMCB202	SFMCB204	SFMCB206
Spannung	V_{DC}	18	18	18	18
Kapazität	Ah	1,5	2,0	4,0	6,0
Typ		Li-Ion	Li-Ion	Li-Ion	Li-Ion

Schalldruckpegel gemäß EN62841: L_{pA} (Schalldruck) 84 dB(A), Unsicherheitsfaktor (K) 5 dB(A)	
L_{WA} (Schalleistung) 95 dB(A), Unsicherheitsfaktor (K) 5 dB(A)	
Gesamtvibration (Triax-Vektorsumme) gemäß EN62841:	
Schneiden von Brettern ($a_{h, B}$) 4,5 m/s^2 , Unsicherheitsfaktor (K) 1,5 m/s^2	
Schneiden von Metallblech ($a_{h, M}$) 6,4 m/s^2 , Unsicherheitsfaktor (K) 1,5 m/s^2	

EG-Konformitätserklärung

MASCHINENRICHTLINIE



SFMC650 Stichsäge

Stanley Fatmax erklärt, dass die in den technischen Daten beschriebenen Geräte übereinstimmen mit:

2006/42/EC, EN62841-1:2015, EN62841-2-11:2016+A1:2020.

Diese Produkte entsprechen außerdem den Richtlinien 2014/30/EU und 2011/65/EU. Weitere Informationen erhalten Sie von Stanley Fatmax unter der folgenden Adresse. Diese befindet sich auch auf der Rückseite dieser Anleitung.

Der Unterzeichnete ist verantwortlich für die Zusammenstellung des technischen Dokuments und gibt diese Erklärung im Namen von Stanley Fatmax ab.

Patrick Diepenbach

Patrick Diepenbach
General Manager, Benelux
Stanley Fatmax,
Egide Walschaertstraat 14-18
2800 Mechelen, Belgien
22/07/2022

Garantie

STANLEY FATMAX vertraut auf die Qualität der eigenen Geräte und bietet dem Käufer eine Garantie von 12 Monaten ab Kaufdatum. Diese Garantie ist ergänzend und beeinträchtigt keinesfalls ihre gesetzlichen Ansprüche. Diese Garantie gilt innerhalb der Staatsgebiete der Mitgliedstaaten der Europäischen Union und der Europäischen Freihandelszone und des Vereinigten Königreichs. Zur Inanspruchnahme dieser Garantie muss sie den allgemeinen Geschäftsbedingungen von STANLEY FATMAX entsprechen und dem Verkäufer bzw. der Vertragswerkstatt ist ein Kaufnachweis vorzulegen.

Die Bedingungen für die 1-jährige Garantie von STANLEY FATMAX und den Standort Ihrer nächstgelegenen Vertragswerkstatt finden Sie im Internet unter www.2helpU.com oder indem Sie sich an die lokale STANLEY FATMAX-Niederlassung wenden, deren Adresse Sie in dieser Anleitung finden.

Ihr neues STANLEY FATMAX-Produkt können Sie auf unserer Website unter www.stanleytools.eu/3 registrieren. Dort erhalten Sie auch Informationen über neue Produkte und Sonderangebote.

Utilisation prévue

Votre scie sauteuse STANLEY FATMAX SFMC650 a été spécialement conçue pour scier le bois, le plastique et la tôle. Cet outil a été conçu pour les professionnels et les particuliers.

Consignes de sécurité

Avertissements de sécurité générale propres aux outils électriques



Avertissement ! Veuillez à lire tous les avertissements sur la sécurité, toutes les instructions, toutes les illustrations et toutes les spécifications fournies avec cet outil électrique. Le non-respect de toutes les instructions listées ci-dessous peut entraîner des décharges électriques, des incendies et/ou de graves blessures.

Conservez tous les avertissements et toutes les instructions afin de pouvoir vous y référer dans le futur. Le terme "outil électrique" mentionné dans les avertissements fait référence à vos outils électriques branchés sur secteur (avec câble) ou fonctionnant sur pile ou batterie (sans fil).

1. Sécurité de la zone de travail

a. Gardez la zone de travail propre et bien éclairée.

Les zones sombres ou encombrées sont propices aux accidents.

b. N'utilisez pas d'outils électriques dans un environnement présentant des risques d'explosion ou en présence de liquides, gaz ou poussières inflammables.

Les outils électriques créent des étincelles qui peuvent enflammer les poussières et les fumées.

c. Maintenez les enfants et les autres personnes à l'écart lorsque les outils électriques sont en marche.

Toute distraction peut vous faire perdre le contrôle de l'outil.

2. Sécurité électrique

a. Les prises des outils électriques doivent correspondre à la prise de courant murale. Ne modifiez jamais la prise d'aucune sorte.

N'utilisez aucun adaptateur avec des outils électriques reliés à la terre. L'utilisation de prises d'origine et de prises murales appropriées permet de réduire le risque de décharge électrique.

b. Évitez tout contact physique avec des surfaces reliées à la terre comme des tuyaux, des radiateurs, des fours et des réfrigérateurs par exemple.

Le risque de décharge électrique augmente si votre corps est relié à la terre.

- c. **N'exposez pas les outils électriques à la pluie, ni à l'humidité.** Le risque de décharge électrique augmente si de l'eau pénètre dans un outil électrique.
- d. **Ne tirez pas sur le cordon d'alimentation. N'utilisez jamais le cordon pour transporter, tirer ou débrancher l'outil électrique. Maintenez le cordon à l'écart de la chaleur, des substances grasses, des bords tranchants ou des pièces mobiles.** Les cordons endommagés ou emmêlés augmentent le risque de décharge électrique.
- e. **Si vous utilisez un outil électrique à l'extérieur, utilisez une rallonge homologuée pour les travaux extérieurs.** L'utilisation d'une rallonge électrique homologuée pour les travaux en extérieur réduit le risque de décharge électrique.
- f. **Si l'utilisation d'un outil électrique dans un endroit humide est inévitable, utilisez une alimentation électrique protégée par un disjoncteur différentiel à courant résiduel (DDR).** L'utilisation d'un DDR réduit le risque de décharge électrique.
3. **Sécurité des personnes**
- a. **Restez vigilant, surveillez ce que vous faites et faites preuve de bon sens lorsque vous utilisez un outil électrique.**
N'utilisez pas d'outils électriques si vous êtes fatigué ou sous l'influence de drogue, d'alcool ou de médicaments. Tout moment d'inattention pendant l'utilisation d'un outil électrique peut engendrer de graves blessures.
- b. **Portez des équipements de protection individuelle. Portez toujours une protection oculaire.** Les équipements de protection comme les masques anti-poussière, les chaussures de sécurité antidérapantes, les casques ou les protections auditives utilisés à bon escient réduisent le risque de blessures.
- c. **Empêchez le démarrage non intentionnel. Veillez à ce l'interrupteur soit sur la position Arrêt avant de raccorder l'outil à l'alimentation électrique et/ou au bloc-batterie ou avant de ramasser ou de transporter l'outil.**
 Le fait de transporter les outils électriques le doigt sur l'interrupteur ou d'alimenter les outils électriques dont l'interrupteur est déjà en position Marche augmente les accidents.
- d. **Retirez toutes les clés ou pinces de réglage avant de mettre l'outil en marche.** Une clé ou une pince restée fixée sur une pièce rotative de l'outil électrique peut entraîner des blessures.
- e. **Ne vous penchez pas. Gardez les pieds bien ancrés au sol et conservez votre équilibre en permanence.** Cela permet de mieux maîtriser l'outil électrique en cas de situations imprévues.
- f. **Portez des vêtements appropriés. Ne portez aucuns vêtements amples, ni bijoux. Gardez vos cheveux et vos vêtements à l'écart des pièces mobiles.** Les vêtements amples, les bijoux ou les cheveux longs peuvent être happés par les pièces mobiles.
- g. **Si vous disposez de dispositifs pour l'extraction et la récupération des poussières, veillez à ce qu'ils soient correctement raccordés et utilisés.**
 L'utilisation de dispositifs récupérateurs de poussière réduit les risques liés aux poussières.
- h. **Ne pensez pas être à ce point familiarisé avec l'outil après l'avoir utilisé à de nombreuses reprises, au point de ne plus rester vigilant et d'en oublier les consignes de sécurité.** Toute action imprudente peut entraîner de graves blessures en une fraction de seconde.
4. **Utiliser et entretenir un outil électrique**
- a. **Ne sur-sollicitez pas l'outil électrique. Utilisez un outil approprié, adapté au travail à réaliser.**
 Un outil adapté fonctionne mieux, de façon plus sûre et à la cadence pour laquelle il a été conçu.
- b. **N'utilisez pas l'outil électrique si l'interrupteur ne permet plus de le mettre en marche et de l'éteindre.**
 Tout appareil électrique qui ne peut plus être commandé par son interrupteur est dangereux et il doit être réparé.
- c. **Débranchez la prise de la source d'alimentation électrique et/ou retirez le bloc-batterie de l'outil s'il est amovible, avant d'effectuer tout réglage, de changer un accessoire ou de ranger l'outil électrique.**
 Ces mesures de sécurité préventives réduisent le risque de démarrage accidentel de l'outil électrique.
- d. **Rangez les outils électriques non utilisés hors de portée des enfants et ne laissez aucune personne ne connaissant pas ces outils ou leurs instructions d'utilisation les faire fonctionner.** Les outils électriques peuvent être dangereux entre des mains inexpérimentées.
- e. **Veillez à bien entretenir vos outils électriques et leurs accessoires. Vérifiez que les pièces mobiles sont alignées correctement et qu'elles ne sont pas coincées. Vérifiez qu'aucune pièce n'est cassée et contrôlez l'absence de toute autre condition qui pourrait nuire au bon fonctionnement de l'outil. En cas de dommage, faites réparer l'outil électrique avant de le réutiliser.** De nombreux accidents sont provoqués par des outils électriques mal entretenus.
- f. **Maintenez les outils de coupe affûtés et propres.**
 Des organes de coupe bien entretenus dont le tranchant est affûté sont moins susceptibles de rester coincés et sont plus faciles à maîtriser.

- g. **Utilisez l'outil électrique, les accessoires et les embouts d'outils conformément à ces instructions, en tenant compte des conditions de travail et de la tâche à effectuer.**

L'utilisation d'un outil électrique à d'autres fins que celles pour lesquelles il a été prévu peut entraîner des situations dangereuses.

- h. **Maintenez toutes les poignées et surfaces de préhension sèches, propres et exemptes d'huile et de graisse.** Des poignées et des surfaces de préhension glissantes ne permettent pas de manipuler et de contrôler l'outil correctement en cas de situations inattendues.

5. Utiliser et entretenir un outil fonctionnant sur batterie

- a. **N'effectuez la recharge qu'à l'aide du chargeur spécifié par le fabricant.** Un chargeur adapté pour un type de bloc-batterie peut créer un risque d'incendie s'il est utilisé avec un bloc-batterie différent.
- b. **N'utilisez l'outil électrique qu'avec les blocs-batteries spécifiquement prévus.** L'utilisation d'un autre bloc-batterie peut créer un risque de blessures et d'incendie.
- c. **Quand le bloc-batterie n'est pas utilisé, éloignez-le des objets métalliques comme les trombones, les pièces, les clés, les clous, les vis ou les autres petits objets qui pourraient créer un contact entre les deux bornes.** La mise en court-circuit des bornes d'une batterie peut provoquer des brûlures ou un incendie.
- d. **Dans des conditions extrêmes, du liquide peut être éjecté de la batterie. Évitez tout contact. En cas de contact accidentel, rincez à l'eau. En cas de contact avec les yeux, consultez en plus un médecin.** Le liquide sortant de la batterie peut provoquer des irritations ou des brûlures.
- e. **N'utilisez jamais un bloc-batterie ou un outil qui est endommagé ou qui a été modifié.** Les batteries endommagées ou modifiées peuvent avoir un comportement imprévisible qui peut conduire à un incendie, une explosion ou à un risque de blessure.
- f. **N'exposez pas le bloc-batterie ou l'outil au feu ou à des températures excessives.** L'exposition au feu ou à des températures dépassant 130 °C peut provoquer une explosion.
- g. **Respectez toutes les instructions liées à la charge et ne rechargez pas le bloc-batterie ou l'outil en dehors de la plage de températures spécifiée dans les instructions.** Une charge mal effectuée ou à des températures hors de la plage spécifiée peut endommager le bloc-batterie et augmenter le risque d'incendie.

6. Révision/Réparation

- a. **Faites réviser/réparer votre outil électrique par une personne qualifiée, n'utilisant que des pièces de rechange d'origine.**

Cela permet de garantir la sûreté de l'outil électrique

- b. **Ne réparez jamais un bloc-batterie endommagé.** Les réparations sur les blocs-batteries ne doivent être effectuées que par le fabricant ou l'un de ses prestataires de services agréés.

Avertissements supplémentaires liés à la sécurité, propres aux outils électriques



Avertissement ! Avertissements

supplémentaires liés à la sécurité propres aux scies sauteuses et aux scies sabres

- ◆ **Ne tenez l'outil électrique que par ses surfaces de préhension isolées lorsque vous intervenez là où l'accessoire de coupe pourrait entrer en contact avec des fils cachés.** Tout contact de l'accessoire de coupe avec un fil sous tension peut mettre les parties métalliques exposées de l'outil sous tension et provoquer une décharge électrique à l'utilisateur.
- ◆ **Utilisez des pinces ou tout autre moyen pratique pour fixer et soutenir l'ouvrage sur une plateforme stable.** Tenir l'ouvrage à la main ou contre votre corps le rend instable et peut conduire à une perte de contrôle.
- ◆ **Éloignez vos mains des zones de découpe.** N'avancez jamais les mains sous l'ouvrage pour quelque raison que ce soit. Ne passez pas vos doigts ou vos pouces à proximité de la lame sabre et du dispositif de fixation de la lame. Ne cherchez pas à stabiliser la scie en la tenant par la semelle.
- ◆ **Veillez à garder les lames bien affûtées.** Les lames émoussées ou endommagées peuvent faire dévier ou bloquer la scie pendant l'utilisation. Utilisez toujours le type de lame de scie adapté à la matière à scier.
- ◆ **Avant de couper un tuyau ou une conduite, assurez-vous qu'il n'y a ni eau, ni fil électrique, etc. autour.**
- ◆ **Ne touchez ni l'ouvrage ni la lame immédiatement après avoir utilisé l'outil.** Ils peuvent être très chauds.
- ◆ **Prenez garde aux risques cachés. Avant de découper des murs, des planchers ou des plafonds, vérifiez l'emplacement des câbles et tuyaux.**
- ◆ **La lame continue à bouger après avoir relâché l'interrupteur.** Éteignez toujours l'outil et attendez que la lame se soit complètement arrêtée avant de reposer l'outil.

Avertissement ! Tout contact ou inhalation de la poussière émise pendant le ponçage peut présenter un danger pour la santé de l'utilisateur et des personnes à proximité. Portez un masque à poussière spécialement conçu pour vous protéger des poussières et des fumées et veillez à ce que les personnes qui se trouvent à l'intérieur de la zone de travail ou qui y pénètrent soient également protégées.

- ◆ L'utilisation prévue est décrite dans la présente notice d'utilisation.
- ◆ L'utilisation d'un accessoire ou d'un équipement autre que ceux recommandés dans cette notice et l'utilisation de cet appareil à d'autres fins que celles recommandées dans cette notice peuvent entraîner un risque de blessures.

Sécurité des personnes

- ◆ Cet appareil n'est pas conçu pour être utilisé par des personnes (y compris des enfants) aux capacités physiques, sensorielles ou intellectuelles réduites ou sans expérience ni connaissances, à moins qu'elles ne soient supervisées ou qu'elles n'aient été formées sur la façon d'utiliser l'appareil, par une personne responsable de leur sécurité.
- ◆ Les enfants doivent être surveillés pour garantir qu'ils ne jouent pas avec l'appareil.

Risques résiduels

Certains risques résiduels autres que ceux mentionnés dans les avertissements sur la sécurité peuvent survenir en utilisant l'outil. Ces risques peuvent être dus à une utilisation incorrecte, une utilisation prolongée, etc.

Malgré le respect de toutes les réglementations pertinentes sur la sécurité et la mise en œuvre de dispositifs de sécurité, certains risques résiduels ne peuvent pas être évités. Ils comprennent :

- ◆ Les blessures dues au contact avec des pièces mobiles/ en rotation.
- ◆ Les blessures dues au changement de pièces, de lames ou d'accessoires.
- ◆ Les blessures dues à l'utilisation prolongée d'un outil. Lorsque vous utilisez un outil quel qu'il soit pendant de longues périodes, veillez à faire des pauses régulières.
- ◆ Les troubles de l'ouïe.
- ◆ Les risques pour la santé dus à l'inhalation des poussières émises pendant l'utilisation de l'outil (exemple : travail avec du bois, surtout le chêne, le hêtre et les panneaux en MDF).

Vibrations

La valeur des vibrations émises déclarée dans les caractéristiques techniques et la déclaration de conformité a été mesurée selon une méthode de test standardisée fournie par la norme EN 62841 et elle peut être utilisée pour comparer un outil à un autre.

La valeur des vibrations émises déclarée peut aussi être utilisée pour une évaluation préliminaire à l'exposition.

Avertissement ! En fonction de la manière dont l'outil est utilisé, la valeur réelle des vibrations émises pendant son utilisation peut différer de la valeur déclarée. Le niveau des vibrations peut dépasser le niveau déclaré.

Quand l'exposition aux vibrations est évaluée afin de déterminer les mesures de sécurité requises par la norme 2002/44/CE pour protéger les personnes utilisant régulièrement des outils électriques, l'estimation de l'exposition aux vibrations doit tenir compte des conditions réelles d'utilisation et de la façon dont l'outil est utilisé. Il faut également tenir compte de toutes les composantes du cycle de fonctionnement comme les durées pendant lesquelles l'outil est éteint et quand il fonctionne au ralenti, en plus de la durée de déclenchement.

Étiquettes apposées sur l'outil

Les pictogrammes suivants ainsi que le code date sont apposés sur l'outil :



Avertissement ! Afin de réduire le risque de blessures, l'utilisateur doit lire la notice d'utilisation.



Rayonnement visible. Ne regardez pas directement la lumière.

Consignes de sécurité supplémentaires propres aux batteries et aux chargeurs

Batteries

- ◆ Ne tentez de les ouvrir sous aucun prétexte.
- ◆ N'exposez pas la batterie à l'eau.
- ◆ Ne la rangez pas dans des endroits où la température peut dépasser 40 °C.
- ◆ Ne procédez à la charge qu'à une température ambiante comprise entre 10 °C et 40 °C.
- ◆ N'utilisez que le chargeur fourni avec l'outil.
- ◆ Au moment de jeter les batteries, respectez les instructions mentionnées dans la section "Protection de l'environnement".



N'essayez pas de recharger des batteries endommagées.

Chargeurs

- ◆ N'utilisez votre chargeur STANLEY FATMAX que pour recharger la batterie fournie avec l'outil. Les autres batteries pourraient exploser et entraîner des blessures et des dommages.
- ◆ Ne tentez jamais de recharger des piles non rechargeables.
- ◆ Faites immédiatement remplacer les cordons endommagés.
- ◆ N'exposez pas le chargeur à l'eau.
- ◆ N'ouvrez pas le chargeur.
- ◆ Ne sondez pas le chargeur.



Le chargeur est conçu pour être exclusivement utilisé à l'intérieur.



Lisez la notice d'utilisation avant de l'utiliser.

Sécurité électrique



Votre chargeur dispose d'une double isolation, aucune liaison à la terre n'est donc nécessaire. Vérifiez toujours que la tension du réseau électrique correspond à la tension mentionnée sur la plaque signalétique. N'essayez jamais de remplacer le module de charge par une prise de courant ordinaire.

- ◆ Si le câble d'alimentation est endommagé, il doit être remplacé par le fabricant ou dans un centre d'assistance agréé STANLEY FATMAX afin d'éviter tout risque.

Caractéristiques

Cet outil dispose de tout ou partie des caractéristiques suivantes.

1. Batterie
2. Bouton de libération de la batterie
3. Poignée principale
4. Gâchette, variateur de vitesse
5. Bouton de verrouillage
6. Système de libération de la lame sans outil
7. Lame
8. Levier de réglage du biseau sans clé
9. Semelle
10. Cache-semelle
11. Sélecteur Mouvement orbital

Assemblage



Avertissement ! Avant l'assemblage, retirez la batterie de l'outil et assurez-vous que la lame est arrêtée. Les lames de scie peuvent être très chaudes après avoir été utilisées.

Recharger la batterie (Fig. A)

La batterie doit être rechargée avant la première utilisation et chaque fois qu'elle n'apporte plus assez de puissance pour les travaux réalisés sans peine auparavant.

La batterie peut devenir chaude pendant la charge. Ce phénomène est normal et n'indique pas un problème.

Avertissement ! Ne rechargez pas la batterie à une température ambiante inférieure à 10 °C ou supérieure à 40 °C. La température recommandée est d'environ 24 °C.

Remarque : Le chargeur ne recharge pas la batterie si la température de la cellule est inférieure à environ 10 °C ou supérieure à 40 °C.

La batterie doit rester dans le chargeur et le chargeur commence automatiquement la charge dès que la température de la cellule remonte ou redescend.

Remarque : Afin de garantir des performances et une durée de vie optimales des blocs-batteries Lithium-Ion, rechargez-les complètement avant la première utilisation.

- ◆ Branchez le chargeur (12) dans une prise appropriée avant d'insérer le bloc-batterie (1).
- ◆ Le témoin de charge vert (12a) clignote en continu pour indiquer que le processus de charge a commencé.
- ◆ La fin de la charge est indiquée par le voyant vert (12a) restant allumé en fixe. Le bloc-batterie (1) est alors complètement rechargé et il peut soit être retiré et utilisé, soit être laissé dans le chargeur (12).
- ◆ Veillez à recharger les batteries dans un délai d'une semaine. La durée de vie de la batterie peut être considérablement diminuée si elle est stockée déchargée.

État des voyants du chargeur

	Charge : Voyant vert qui clignote	
	Charge complète terminée : Voyant vert allumé en fixe	
	Délai Bloc chaud/froid : Voyant vert qui clignote Voyant rouge allumé en fixe	

Remarque : Les chargeurs compatibles ne rechargent pas les blocs-batteries défectueux. Le chargeur indique un bloc-batterie défectueux en refusant de s'allumer.

Remarque : Cela peut également signifier un problème avec un chargeur. Si le chargeur indique un problème, apportez-le avec le bloc-batterie dans un centre d'assistance agréé pour les faire tester.

Laisser la batterie dans le chargeur

Le chargeur et le bloc-batterie peuvent rester raccordés avec le voyant allumé en continu. Le chargeur maintient le bloc-batterie complètement chargé.

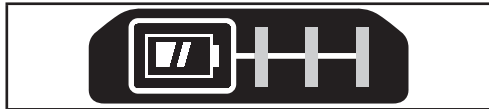
Délai Bloc chaud/froid

Si le chargeur détecte que la batterie est trop chaude ou trop froide, il démarre automatiquement un délai Bloc Chaud/Froid, le voyant vert (12a) clignote en continu alors que le voyant rouge (12b) reste allumé en continu. La charge est suspendue jusqu'à ce que la batterie ait atteint une température appropriée. Le chargeur passe alors automatiquement en mode Charge. Cette fonctionnalité permet de garantir une durée de vie maximale pour la batterie.

Témoin du niveau de charge de la batterie (Fig. B)

La batterie intègre un témoin de niveau de charge qui permet de savoir rapidement la charge restante de la batterie, comme illustré par la figure B.

En appuyant sur le bouton du témoin de niveau charge (1a) vous pouvez facilement voir le niveau de charge restant dans la batterie, comme illustré par la figure B.



Insérer et retirer le bloc-batterie de l'outil

Avertissement ! Avant de retirer ou d'installer la batterie, assurez-vous que le bouton de verrouillage est enclenché afin d'empêcher le déclenchement de l'interrupteur.

Pour installer le bloc-batterie (Fig. C)

- ◆ Insérez fermement le bloc-batterie (1) dans l'outil jusqu'à entendre un clic, comme illustré par la figure C. Assurez-vous que le bloc-batterie est bien en place et parfaitement verrouillé.

Pour retirer le bloc-batterie (Fig. C)

- ◆ Appuyez sur le bouton de libération de la batterie (2) comme illustré par la figure C et tirez sur le bloc-batterie pour le sortir de l'outil.

Installer et retirer la lame de scie (Fig. D)

- ◆ Maintenez la lame (7) avec les dents orientées vers l'avant.
- ◆ Enfoncez le levier de libération de la lame (6) vers le bas.
- ◆ Insérez complètement la tige de la lame dans le porte-lame, le plus loin possible.
- ◆ Relâchez le levier.
- ◆ Pour retirer la lame (7), enfoncez le levier de libération de la lame (6) vers le bas.



Avertissement ! La lame peut devenir très chaude pendant l'utilisation. Veillez à toujours porter des gants pour retirer la lame.

Mettre la machine en marche et l'éteindre (Fig. F)

- ◆ Pour mettre la machine en marche, glissez le bouton de verrouillage (5) vers la gauche puis maintenez l'interrupteur à gâchette, variateur de vitesse (4) enfoncé.
- ◆ Pour éteindre la machine, relâchez l'interrupteur à gâchette (4).



Avertissement ! N'allumez et n'éteignez pas l'outil quand il est en contact avec la matière.



Avertissement ! Veillez à toujours glisser le bouton de verrouillage (5) vers la droite, position verrouillée, lorsque l'outil n'est pas utilisé.

Contrôle du variateur de vitesse

L'interrupteur Marche/Arrêt, variateur de vitesse permet d'utiliser différentes vitesses pour considérablement améliorer la cadence de coupe en fonction des matières.

- ◆ La vitesse est déterminée par le niveau d'enfoncement de l'interrupteur à gâchette (4).

Cache-semelle anti-rayures amovible (Fig. E)

Le cache-semelle anti-rayures (10) doit être utilisé pour découper des surfaces sensibles aux rayures comme le stratifié, les surfaces vernies ou peintes.

Pour fixer le cache-semelle anti-rayures (10), placez l'avant de la semelle en aluminium (9) dans l'avant du cache-semelle anti-rayures et abaissez la scie sauteuse. Le cache-semelle anti-rayures s'emboîte à l'arrière de la semelle en aluminium. Pour retirer le cache-semelle anti-rayures, tenez-le par le bas en maintenant les deux pattes à l'arrière et retirez le cache.

Position correcte des mains (Fig. F)

Avertissement ! Afin de réduire tout risque de graves blessures, respectez TOUJOURS la position des mains recommandée et illustrée.

Avertissement ! Afin de réduire tout risque de graves blessures, tenez TOUJOURS l'appareil fermement pour pouvoir anticiper toute réaction soudaine.

La position correcte des mains nécessite d'avoir une main sur la poignée principale (3).

Incliner la semelle (Fig. G)

- ◆ Pour déverrouiller la semelle, tirez le levier de réglage du biseau sans clé (8) sur le côté.
- ◆ Pour verrouiller la semelle, repoussez le levier de réglage du biseau sans clé (8) sous le corps de la scie sauteuse.

Pour incliner la semelle

- ◆ Déverrouillez la semelle.
- ◆ Glissez la semelle (9) vers l'avant pour la libérer de la butée à 0° positif.
- ◆ La semelle peut être inclinée à droite ou à gauche et elle dispose de crans à 0°, 22,5° et 45°. La semelle peut être arrêtée manuellement à n'importe quel angle entre 0° et 45°.
- ◆ Une fois l'angle d'inclinaison voulu atteint, verrouillez la semelle en place.

Pour ramener la semelle à 0°

- ◆ Déverrouillez la semelle.
- ◆ Repivotez la semelle à 0°.
- ◆ Reglissez la semelle à la position du 0° positif.
- ◆ Verrouillez la semelle.

Faire des découpes (Fig. H)

Avertissement ! Veillez à toujours porter une protection oculaire. Tous les utilisateurs et toutes les personnes à proximité doivent porter une protection oculaire.

Avertissement ! Soyez particulièrement vigilant lorsque vous sciez en revenant dans votre direction. Veillez à toujours tenir la scie fermement pendant la découpe.

La lame doit dépasser la semelle pivotante et l'épaisseur de l'ouvrage tout au long de la découpe.

Choisissez la lame la mieux adaptée à la matière à découper et utilisez la plus petite lame en fonction de l'épaisseur de l'ouvrage.

Mouvement de la lame

Orbital ou droit (Fig. I)

Avertissement ! Contrôlez que l'outil n'est pas verrouillé en marche avant de le raccorder à l'alimentation électrique. Si l'interrupteur à gâchette est verrouillé au moment où l'outil est raccordé à l'alimentation électrique, il s'allume immédiatement. Vous pourriez vous blesser et endommager l'outil. Cette scie sauteuse propose quatre modes de mouvements de lame : trois planétaires et un droit. Le mouvement orbital 1 offre un mouvement de lame plus agressif et il est prévu pour la découpe des matériaux tendres comme le bois ou le plastique. Le mouvement orbital 2 convient pour les ouvrages en bois épais. Le mouvement orbital 3 permet une découpe plus rapide, mais moins fluide à travers la matière. En mode orbital, en plus du mouvement de haut en bas, la lame se bouge également vers l'avant pendant la découpe.

Remarque : Ne sciez jamais de métal ou de bois dur en mode orbital.

Pour régler le mode de mouvement de la lame

- ◆ Déplacez le sélecteur de mouvement orbital (11) entre les quatre positions : 0, 1, 2 et 3. La position 0 correspond au mode de découpe en ligne droite. Les positions 1 2 et 3 servent pour les découpes avec mouvement orbital. L'agressivité de la découpe augmente au fur et à mesure que le sélecteur du mouvement orbital est déplacé des positions 1 à 3, la position 3 étant la plus agressive.

Conseils pour une utilisation optimale

Conseils pour découper du stratifié

- ◆ Du fait que la lame de scie découpe en remontant, des éclats sont possibles sur la surface la plus proche de la semelle.
- ◆ Utilisez une lame à dents fines.
- ◆ Sciez depuis l'arrière de l'ouvrage.
- ◆ Afin de limiter les éclats, fixez un morceau de bois ou de panneau dur des deux côtés de l'ouvrage et sciez à travers cette épaisseur.

Conseils pour découper du métal

- ◆ Scier du métal prend beaucoup plus de temps que de scier du bois.
- ◆ Utilisez une lame de scie adaptée pour la découpe du métal.
- ◆ Pour scier une fine épaisseur de métal, fixez une chute de bois à l'arrière de l'ouvrage et sciez à travers cette épaisseur.

- ◆ Appliquez une fine couche d'huile le long de la ligne de coupe prévue afin de faciliter la découpe et de préserver la lame. Pour découper de l'aluminium, préférez du kérosène.

Découpe de cavités (Fig. J, K)

La découpe de cavités est un moyen simple d'effectuer des découpes pénétrantes.

La scie peut être introduite directement dans un panneau ou une planche sans avoir à percer de pré-trou. Pour effectuer une découpe pénétrante, mesurez et marquez clairement la surface à découper au crayon.

Inclinez ensuite la scie vers l'avant jusqu'à ce que l'extrémité avant de la semelle repose fermement sur la surface de l'ouvrage et que la lame libère l'ouvrage sur toute sa course. Mettez l'outil en marche et laissez-le atteindre son plein régime. Tenez fermement la scie et abaissez lentement sa partie arrière jusqu'à ce que la lame atteigne sa pleine profondeur. Tenez la semelle à plat contre le bois et commencez la découpe. Ne retirez pas la lame du trait de coupe tant qu'elle est en mouvement. La lame doit être complètement immobile.

Accessoires

Les performances de votre outil dépendent de l'accessoire utilisé. Les accessoires STANLEY FATMAX sont élaborés selon des normes de qualité élevées et ils sont conçus pour améliorer les performances de votre outil. En utilisant ces accessoires, vous tirerez le meilleur parti de votre outil. Cet outil est compatible avec les tige de lames en U et en T.

Maintenance

Votre outil STANLEY FATMAX a été conçu pour fonctionner longtemps avec un minimum d'entretien. Son fonctionnement continu et satisfaisant dépend de son bon entretien et de son nettoyage régulier.

Votre chargeur ne nécessite aucun entretien particulier, à l'exception d'un nettoyage régulier.



Avertissement ! Avant de réaliser toute tâche de maintenance sur l'outil, retirez-en la batterie. Débranchez le chargeur avant de le nettoyer.

- Nettoyez régulièrement les fentes d'aération de votre outil et du chargeur à l'aide d'une brosse souple ou d'un chiffon sec.
- Nettoyez régulièrement le bloc-moteur à l'aide d'un chiffon humide. N'utilisez pas de détergents abrasifs ou à base de solvants.

Protection de l'environnement



Tri sélectif. Les produits et piles/batteries marqués de ce symbole ne doivent pas être jetés avec les déchets ménagers.

Les produits et les piles/batteries contiennent des matières qui peuvent être récupérées et recyclées afin de réduire la demande en matières premières.

Veillez à recycler les produits électriques et les piles/batteries conformément aux prescriptions locales en vigueur. Pour plus d'informations, consultez le site www.2helpU.com

Caractéristiques techniques

SFMCS650 (H1)		
Tension	V_{cc}	18
Vitesse à vide	min^{-1}	0 - 3200
Longueur de la course	mm	25,4
Profondeur de coupe maximum		
Bois	mm	85
Acier	mm	10
Aluminium	mm	25
Poids	kg	1,93

Chargeur		SFMCB11	SFMCB12	SFMCB14
Tension d'entrée	V_{ca}	230	230	230
Tension de sortie	V_{cc}	18	18	18
Courant	A	1,25	2	4

Batterie		SFMCB201	SFMCB202	SFMCB204	SFMCB206
Tension	V_{cc}	18	18	18	18
Capacité	Ah	1,5	2,0	4,0	6,0
Type		Li-Ion	Li-Ion	Li-Ion	Li-Ion

Niveau de pression sonore selon la norme EN62841 : L_{pA} (pression sonore) 84 dB(A), incertitude (K) 5 dB(A)
L_{WA} (puissance sonore) 95 dB(A), incertitude (K) 5 dB(A)
Valeurs totales des vibrations (somme vectorielle triaxiale) selon la norme EN62841 :
Découpe de planches ($a_{h,B}$) 4,5 m/s^2 , incertitude (K) 1,5 m/s^2
Découpe du métal fin ($a_{h,W}$) 6,4 m/s^2 , incertitude (K) 1,5 m/s^2

Déclaration de conformité CE

DIRECTIVES MACHINES



Scie sauteuse SFMCS650

Stanley Fatmax déclare que les produits décrits dans les "Caractéristiques techniques" sont conformes aux normes : 2006/42/CE, EN62841-1:2015, EN62841-2-11:2016+A1:2020.

Ces produits sont également conformes aux directives 2014/30/UE et 2011/65/UE. Pour obtenir plus de précisions, prenez contact avec Stanley Fatmax à l'adresse qui suit ou consultez la dernière page de la notice.

Le soussigné est responsable de la compilation du dossier technique et il fait cette déclaration au nom de Stanley Fatmax.

Patrick Diepenbach

Patrick Diepenbach
General Manager, Benelux
Stanley Fatmax,
Egide Walschaertsstraat 14-18
2800 Mechelen, Belgium
22/07/2022

Garantie

STANLEY FATMAX est sûr de la qualité de ses produits et offre une garantie de 12 mois à ses clients, à partir de la date d'achat. Cette garantie est valable sur les territoires des États membres de l'Union européenne et de la Zone de libre-échange européenne et du Royaume-Uni.

Cette garantie est valable au sein des territoires des États membres de l'Union Européenne et au sein de la Zone européenne de libre-échange.

Pour prétendre à la garantie, la réclamation doit être en conformité avec les conditions générales de STANLEY FATMAX et vous devez fournir une preuve d'achat au vendeur ou au réparateur agréé.

Les conditions générales de la garantie STANLEY FATMAX de 1an ainsi que l'adresse du réparateur agréé le plus proche sont disponibles sur le site Internet www.2helpU.com ou en contactant votre agence STANLEY FATMAX locale à l'adresse indiquée dans ce manuel.

Veillez consulter notre site www.stanleytools.eu/3 pour enregistrer votre nouveau produit STANLEY FATMAX et pour être tenu informé des nouveaux produits et offres spéciales.

Uso previsto

Il seghetto da traforo STANLEY FATMAX SFMCS650 è stato progettato per segare legno, plastica e lamiera. Questo elettroutensile è stato progettato per uso professionale e privato, e per utenti non professionisti.

Istruzioni di sicurezza

Avvertenze di sicurezza generali degli elettroutensili



Avvertenza! Leggere tutte le avvertenze, istruzioni, illustrazioni e specifiche fornite con questo elettroutensile. La mancata osservanza delle istruzioni seguenti può dar luogo a scossa elettrica, incendio e/o lesioni gravi.

Conservare tutte le avvertenze e le istruzioni per riferimenti futuri. Il termine "apparecchio elettrico" utilizzato nelle avvertenze fa riferimento sia agli apparecchi alimentati tramite una rete elettrica (con cavo) sia a quelli alimentati a batteria (detti cordless o senza cavo).

1. Sicurezza dell'area di lavoro

- a. **Mantenere pulita e ben illuminata l'area di lavoro.**
Gli ambienti disordinati o scarsamente illuminati favoriscono gli incidenti.
- b. **Evitare di usare gli elettroutensili in ambienti esposti a rischio di esplosione, ad esempio in presenza di liquidi, gas o polveri infiammabili.** Gli apparecchi elettrici generano scintille che possono incendiare le polveri o i fumi.
- c. **Durante l'uso di un elettroutensile, tenere lontani i bambini e le altre persone presenti nelle vicinanze.** Eventuali distrazioni possono provocare la perdita di controllo dell'elettroutensile.

2. Sicurezza elettrica

- a. **Le spine degli elettroutensili devono essere adatte alla presa di corrente. Non modificare la spina in alcun modo. Non usare spine con adattatore con gli elettroutensili dotati di messa a terra.** Per ridurre il rischio di scossa elettrica evitare di modificare le spine e utilizzare sempre le prese di corrente appropriate.
- b. **Evitare il contatto con superfici collegate a terra, quali tubature, termosifoni, fornelli e frigoriferi.** Se il corpo dell'utilizzatore è collegato a terra, il rischio di scossa elettrica aumenta.
- c. **Custodire gli elettroutensili al riparo dalla pioggia o dall'umidità.** Se dovesse penetrare dell'acqua all'interno dell'apparecchio, il rischio di scossa elettrica aumenta.

- d. **Non utilizzare il cavo di alimentazione in modo improprio. Non spostare, tirare o scollegare mai l'elettroutensile dalla presa di corrente tirandolo dal cavo.**

Tenere il cavo di alimentazione lontano da fonti di calore, olio, bordi taglienti o parti in movimento. Se il cavo di alimentazione è danneggiato o impigliato, il rischio di scossa elettrica aumenta.

- e. **Se l'elettroutensile viene utilizzato all'aperto, usare esclusivamente prolunghe omologate per l'impiego all'esterno.** L'uso di un cavo di alimentazione adatto per esterni riduce il rischio di scossa elettrica.
- f. **Se non è possibile evitare di utilizzare un elettroutensile in una zona umida, collegarsi a una rete elettrica protetta da un interruttore differenziale salvavita (RCD).** L'uso di un RCD salvavita riduce il rischio di scossa elettrica.

3. Sicurezza personale

- a. **È importante concentrarsi su ciò che si sta facendo e maneggiare con giudizio l'elettroutensile.**
Non utilizzare l'elettroutensile quando si è stanchi o sotto l'effetto di sostanze stupefacenti, alcool o medicinali. Un solo attimo di distrazione durante l'uso dell'elettroutensile potrebbe provocare gravi lesioni personali.
- b. **Utilizzare dispositivi di protezione individuale. Indossare sempre occhiali di protezione.** L'uso di dispositivi di protezione, quali maschere antipolvere, scarpe antinfortunistiche antiscivolo, elmetti di sicurezza o protezioni per l'udito, in condizioni opportune consente di ridurre le lesioni personali.
- c. **Prevenire l'avvio accidentale. Accertarsi che l'interruttore sia nella posizione di spegnimento, prima di collegare l'elettroutensile alla rete elettrica e/o alla batteria, di prenderlo in mano o di trasportarlo.**
Per non esporsi al rischio di incidenti, non trasportare l'elettroutensile tenendo le dita sull'interruttore e non collegarlo a una fonte di alimentazione elettrica con l'interruttore in posizione di accensione.
- d. **Prima di accendere un elettroutensile, rimuovere eventuali utensili o chiavi di regolazione.** Un utensile di regolazione o una chiave attaccati a una parte rotante dell'apparecchio possono provocare lesioni personali.
- e. **Non sporgersi troppo. Mantenere sempre un appoggio e un equilibrio adeguati.** In tal modo è possibile mantenere un migliore controllo dell'elettroutensile nelle situazioni impreviste.

- f. **Indossare indumenti adeguati. Non indossare abiti larghi o gioielli. Tenere capelli e indumenti lontano dalle parti mobili.** Abiti larghi, gioielli o capelli lunghi possono impigliarsi nelle parti in movimento..
- g. **Se gli elettrodomestici sono provvisti di attacchi per il collegamento di dispositivi di aspirazione o di raccolta della polvere, assicurarsi che questi siano installati e utilizzati correttamente.** L'impiego di dispositivi per la raccolta delle polveri può ridurre i pericoli legati a queste ultime.
- h. **Non lasciare che la familiarità acquisita dall'uso frequente degli utensili induca a cedere alla tentazione di ignorare i principi di utilizzo sicuro degli stessi.** Un'azione imprudente potrebbe provocare lesioni gravi in una frazione di secondo.
- 4. Utilizzo e cura degli elettrodomestici**
- a. **Non forzare l'apparecchio elettrico. Utilizzare l'elettrodomestico adatto per il lavoro da eseguire.** L'elettrodomestico corretto funziona meglio e in modo più sicuro se utilizzato alla velocità per cui è stato progettato.
- b. **Non usare l'elettrodomestico se l'interruttore di accensione/spegnimento non funziona.** Qualsiasi elettrodomestico che non possa essere controllato tramite l'interruttore è pericoloso e deve essere riparato.
- c. **Scollegare la spina dalla presa di corrente e/o rimuovere il pacco batteria dall'elettrodomestico, se rimovibile, prima di effettuare qualsiasi tipo di regolazione, di cambiare gli accessori o di riporlo.** Queste misure di sicurezza preventive riducono il rischio di azionare l'apparato accidentalmente.
- d. **Quando non vengono usati, gli elettrodomestici devono essere custoditi fuori dalla portata dei bambini.** Non consentire l'uso dell'elettrodomestico a persone inesperte o che non abbiano letto le presenti istruzioni. Gli elettrodomestici sono pericolosi in mano a persone inesperte.
- e. **Sottoporre elettrodomestici e accessori a manutenzione. Verificare che le parti mobili siano correttamente allineate e non inceppate, che non vi siano componenti rotti e che non sussistano altre condizioni che possono compromettere il funzionamento dell'apparecchio. Se l'apparecchio è danneggiato, farlo riparare prima dell'uso.** Molti incidenti sono provocati da elettrodomestici non sottoposti a una corretta manutenzione.
- f. **Mantenere affilati e puliti gli utensili da taglio.** La manutenzione corretta degli utensili da taglio con bordi affilati riduce le probabilità di inceppamento e ne facilita il controllo.
- g. **Utilizzare l'elettrodomestico, gli accessori, le punte, ecc. in conformità alle presenti istruzioni, tenendo conto delle condizioni operative e del lavoro da eseguire.** L'utilizzo dell'apparecchio per impieghi diversi da quelli previsti può provocare situazioni di pericolo.
- h. **Mantenere le impugnature e le superfici di presa asciutte, pulite e senza tracce di olio o grasso.** Impugnature e superfici di presa scivolose non consentono di maneggiare e controllare in modo sicuro l'elettrodomestico in caso di imprevisti.
- 5. Uso e cura degli apparecchi elettrici a batteria**
- a. **Caricare la batteria utilizzando esclusivamente il caricabatterie specificato dal produttore.** Un caricabatterie adatto per un pacco batteria di un determinato tipo può esporre al rischio d'incendio se usato con un pacco batteria diverso.
- b. **Utilizzare gli elettrodomestici esclusivamente con pacchi batteria appositamente designati.** L'impiego di pacchi batteria di tipo diverso potrebbe comportare il rischio di lesioni alle persone e incendi.
- c. **Quando il pacco batteria non viene usato, tenerlo lontano da altri oggetti metallici, quali graffette, monete, chiavi, chiodi, viti o altri oggetti metallici di piccole dimensioni, che potrebbero cortocircuitare un terminale con l'altro.** Se i terminali della batteria venissero cortocircuitati potrebbero provocare ustioni o un incendio.
- d. **In condizioni di uso improprio, dalla batteria potrebbe fuoriuscire del liquido; evitare di toccarlo. In caso di contatto accidentale, sciacquare con abbondante acqua. Se il liquido dovesse entrare a contatto con gli occhi, rivolgersi anche a un medico.** Il liquido che fuoriesce dalla batteria può causare irritazioni o ustioni.
- e. **Non utilizzare un pacco batteria o un utensile danneggiati o modificati.** Le batterie danneggiate o modificate potrebbero manifestare un comportamento imprevedibile con la possibilità di causare un'esplosione o un incendio.
- f. **Non esporre un pacco batteria o un utensile al fuoco o a temperature elevate.** L'esposizione al fuoco o a una temperatura superiore a 130°C potrebbe provocare un'esplosione.
- g. **Seguire tutte le istruzioni per la carica e non caricare il pacco batteria o l'elettrodomestico a una temperatura che non rientri nell'intervallo di valori specificato nelle istruzioni.** Una carica effettuata in maniera scorretta o a una temperatura che non rientra nell'intervallo di valori specificato, potrebbe danneggiare la batteria aumentando il rischio d'incendio.

6. Assistenza

a. L'elettrotensile deve essere riparato da personale qualificato, che utilizzi ricambi originali identici alle parti da sostituire.

In questo modo viene garantita la sicurezza dell'elettrotensile

b. Non riparare i pacchi batteria danneggiati. Gli interventi di riparazione sulle batterie devono essere eseguiti dal costruttore o da fornitori di assistenza autorizzati.

Avvertenze di sicurezza aggiuntive degli elettrotensili



Avvertenza! Avvertenze di sicurezza aggiuntive per segchetti da traforo e segchetti alternativi

- ◆ **Sostenere l'apparato con supporti aventi superfici isolanti quando si eseguono lavorazioni in cui l'accessorio di taglio potrebbe toccare cavi elettrici nascosti.** Gli accessori di taglio che vengono a contatto con un cavo sotto tensione trasmettono la corrente elettrica anche alle parti metalliche esposte dell'elettrotensile e possono provocare la folgorazione dell'operatore.
- ◆ **Usare morsa o altri metodi pratici per fissare e sostenere il pezzo in lavorazione su una piattaforma stabile.** Tenere il lavoro con le mani o contro il corpo non ne assicura la stabilità e potrebbe portare a una perdita del controllo.
- ◆ **Tenere le mani lontane dalla zona di taglio.** Non allungare le mani sotto il pezzo per alcuna ragione. Non infilare le dita o il pollice in prossimità della lama e del blocco lama. Non stabilizzare la sega afferrando la guida.
- ◆ **Mantenere le lame affilate.** Lame spuntate o danneggiate possono causare la deviazione o lo spegnimento del seghetto sotto sforzo. Usare sempre il corretto tipo di lama per il materiale da tagliare.
- ◆ **Quando si taglia un tubo o una conduttura, accertarsi sempre che al loro interno non vi siano acqua o fili elettrici.**
- ◆ **Non toccare il pezzo in lavorazione o la lama subito dopo aver utilizzato l'elettrotensile.** Possono diventare molto caldi.
- ◆ **Essere consapevoli che vi possono essere dei pericoli nascosti: prima di praticare tagli in pareti, pavimenti o soffitti, controllare l'ubicazione di cablaggi e tubazioni.**
- ◆ **La lama continua a muoversi dopo aver rilasciato l'interruttore.** Prima di appoggiare l'elettrotensile, spegnerlo e attendere che la lama si fermi completamente.

Avvertenza! Il contatto o l'inalazione della polvere generata dal taglio potrebbe nuocere alla salute dell'operatore e di eventuali

astanti. Indossare una mascherina antipolvere specifica per polveri e fumi e controllare che anche le persone presenti o in arrivo nell'area di lavoro siano adeguatamente protette.

- ◆ L'uso previsto è descritto in questo manuale di istruzioni.
- ◆ L'uso di accessori o dotazioni diversi, o l'impiego di questo elettrotensile per scopi diversi da quelli raccomandati in questo manuale di istruzioni possono comportare il rischio di lesioni personali e/o danni alla proprietà.

Sicurezza altrui

- ◆ Questo elettrotensile non è stato progettato per impiego da parte di persone (o bambini) portatrici di handicap fisici, psichici o sensoriali o che non abbiano la dovuta esperienza o conoscenza, a meno che non siano seguite o opportunamente istruite sul suo impiego da parte di una persona responsabile della loro sicurezza.
- ◆ I bambini devono essere sorvegliati per assicurarsi che non giochino con l'elettrotensile.

Rischi residui

L'utilizzo dell'elettrotensile può comportare rischi residui non necessariamente riportati in queste avvertenze di sicurezza. Tali rischi possono sorgere a seguito di un uso prolungato o improprio, ecc.

Malgrado il rispetto delle norme di sicurezza pertinenti e l'implementazione di dispositivi di sicurezza, alcuni rischi residui non possono essere evitati. Sono inclusi:

- ◆ rischio di lesioni personali causate dal contatto con parti rotanti/in movimento;
- ◆ lesioni personali subite durante la sostituzione di parti, lame o accessori;
- ◆ lesioni personali causate dall'impiego prolungato di un apparecchio/utensile (quando si utilizza qualsiasi elettrotensile per periodi prolungati, assicurarsi di fare pause regolari);
- ◆ menomazioni uditive;
- ◆ rischi per la salute causati dalla respirazione delle polveri generate durante l'uso dell'apparecchio (ad esempio quando si lavora con il legno, in modo particolare quello di quercia o faggio o con l'MDF).

Vibrazioni

I livelli di emissioni di vibrazioni dichiarati nei dati tecnici e nella dichiarazione di conformità sono stati misurati in base a un metodo di prova standard previsto dalla EN 62841 e potrebbero essere usati per comparare un utensile con un altro. Il valore di emissione di vibrazione dichiarato può anche essere usato per una valutazione preliminare dell'esposizione.

Avvertenza! Il livello di emissione di vibrazione durante l'uso effettivo dell'elettrotensile può differire dal valore dichiarato, a seconda delle modalità di utilizzo dell'elettrotensile.

Il livello di emissione di vibrazioni potrebbe superare il valore dichiarato.

Quando si valuta l'esposizione alla vibrazione per stabilire le misure di sicurezza richieste, in conformità alla normativa 2002/44/CE destinata alla protezione delle persone che usano regolarmente elettrotensili nello svolgimento delle proprie mansioni lavorative, è necessario prendere in considerazione le condizioni effettive di utilizzo e il modo in cui l'elettrotensile viene usato, oltre che tenere conto di tutte le componenti del ciclo operativo, vale a dire i periodi in cui l'elettrotensile è spento, quelli in cui è acceso ma a riposo e quelli in cui viene effettivamente utilizzato.

Etichette sull'apparecchio

Sull'elettrotensile compaiono i seguenti pittogrammi insieme al codice data:



Avvertenza! Per ridurre il rischio di lesioni personali l'utilizzatore deve leggere il manuale di istruzioni.



Radiazioni visibili. Non fissare la luce.

Istruzioni di sicurezza aggiuntive per batterie e caricatterie

Batterie

- ◆ Non tentare mai di aprire la batteria per alcun motivo.
- ◆ Non lasciare che la batteria si bagni.
- ◆ Non conservare in luoghi dove la temperatura potrebbe superare i 40 °C.
- ◆ Caricare solo a temperature ambiente tra 10 °C e 40 °C.
- ◆ Caricare solo usando il caricabatterie fornito con l'apparecchio.
- ◆ Quando si smaltiscono le batterie, seguire le istruzioni riportate al capitolo "Tutela ambientale".



Non tentare di caricare batterie danneggiate.

Caricatterie

- ◆ Usare il caricabatterie STANLEY FATMAX solo per caricare la batteria nell'apparecchio con il quale è stato fornito. Batterie diverse potrebbero scoppiare, causando lesioni alle persone e danni materiali.
- ◆ Non tentare mai di caricare batterie non ricaricabili.
- ◆ Fare sostituire immediatamente i cavi di alimentazione difettosi.
- ◆ Non lasciare che il caricabatterie si bagni.
- ◆ Non aprire il caricabatterie.
- ◆ Non collegare il caricabatterie a sonde.



Il caricabatterie è destinato solo all'uso in ambienti chiusi.



Leggere il manuale d'istruzioni prima dell'uso.

Sicurezza elettrica



Il doppio isolamento di cui è provvisto il caricabatterie rende superfluo il filo di terra. Verificare sempre che la tensione di rete corrisponda alla tensione indicata sulla targhetta dei valori nominali. Non tentare mai di sostituire il caricabatterie con una normale spina di rete.

- ◆ Per prevenire pericoli, i cavi di alimentazione danneggiati devono essere sostituiti dal produttore o da un Centro di assistenza STANLEY FATMAX autorizzato.

Caratteristiche

Questo elettrotensile include alcune delle seguenti caratteristiche.

1. Batteria
2. Tasto di rilascio pacco batteria
3. Impugnatura principale
4. Grilletto a velocità variabile
5. Pulsante di sblocco
6. Meccanismo di rilascio della lama senza attrezzi
7. Lama
8. Leva di inclinazione senza chiave
9. Pattino scorrevole
10. Coperchio del pattino scorrevole
11. Selettore del movimento orbitale

Assemblaggio



Avvertenza! Prima dell'assemblaggio, togliere la batteria dall'elettrotensile e accertarsi che la lama si sia fermata. Le lame del seghetto usate possono essere molto calde.

Carica della batteria (Fig. A)

La batteria deve essere caricata prima dell'impiego iniziale e quando non eroga una potenza sufficiente per lavori che prima era possibile eseguire facilmente.

Durante la carica, la batteria potrebbe riscaldarsi. Si tratta di un fatto normale che non indica la presenza di un problema.

Avvertenza! Non caricare la batteria a temperature ambientali inferiori a 10 °C o superiori a 40 °C. La temperatura di carica consigliata è di circa 24 °C.

Nota: il caricabatterie non carica una batteria se la temperatura delle celle è inferiore a 10 °C o superiore a 40 °C.

La batteria deve essere lasciata nel caricabatterie, che comincerà a caricarla automaticamente quando la temperatura delle celle aumenta o diminuisce.

Nota: per garantire la massima prestazione e durata dei pacchi batteria agli ioni di litio, caricare completamente il pacco batteria prima di utilizzarlo per la prima volta.

- ◆ Collegare il caricabatterie (12) a una presa di corrente adatta prima di inserire il pacco batteria (1).
- ◆ La spia verde di carica in corso (12a) lampeggia continuamente, indicando che è iniziato il processo di carica.
- ◆ Il completamento della carica sarà indicato dalla luce rossa (12a) che rimane accesa fissa. Il pacco batteria (1) è completamente carico e può essere utilizzato subito o lasciato nel caricabatterie (12).
- ◆ Caricare le batterie scariche entro 1 settimana. La durata delle batterie si riduce parecchio se sono conservate scariche.

Modalità LED del caricabatterie

	Carica in corso: LED verde intermittente	
	Carica completa: LED verde acceso fisso	
	Ritardo per pacco caldo/freddo: LED verde intermittente LED rosso acceso fisso	

Nota: i caricabatterie compatibili non caricano un pacco batteria difettoso. Il caricabatterie non si illuminerà indicando che un pacco batteria è difettoso.

Nota: questo motivo potrebbe anche indicare un problema del caricabatterie. Se il caricabatterie indica la presenza di un problema, portare il caricabatterie e il pacco batteria presso un centro di assistenza autorizzato per essere testati.

Batteria lasciata nel caricabatterie

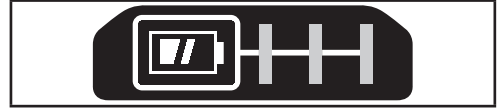
Il caricabatterie e il pacco batteria possono essere lasciati collegati con il LED sempre acceso. Il caricabatterie manterrà il pacco batteria come nuovo e completamente carico.

Ritardo per pacco caldo/freddo

Quando il caricabatterie rileva una batteria troppo calda o troppo fredda, avvia automaticamente un Ritardo per pacco batteria caldo/freddo, il LED verde (12a) lampeggia a intermittenza, mentre il LED rosso (12b) rimane acceso continuamente, sospendendo la ricarica fino a che la batteria non ha raggiunto la temperatura appropriata. Il caricabatterie quindi passa automaticamente alla modalità di carica. Questa funzione garantisce la massima durata del pacco batteria.

Indicatore dello stato di carica della batteria (Fig. B)

La batteria include un indicatore dello stato di carica per determinare rapidamente la durata della batteria, come illustrato nella Figura B. Premendo il pulsante dello stato di carica (1a) è possibile visualizzare facilmente la carica residua della batteria, come illustrato nella Figura B.



Inserimento e rimozione del pacco batteria dall'apparecchio

Avvertenza! Verificare che il pulsante di sicurezza sia attivato per evitare l'azionamento dell'interruttore mentre si estrae o si inserisce la batteria.

Per installare il pacco batteria (Fig. C)

- ◆ Inserire il pacco batteria (1) saldamente nell'apparecchio fino a quando si avverte uno scatto, come illustrato nella figura C. Assicurarsi che il pacco batteria sia completamente inserito e bloccato in posizione.

Per rimuovere il pacco batteria (Fig. C)

- ◆ Premere il pulsante di rilascio batteria (2) come illustrato nella figura C ed estrarre il pacco batteria dall'apparecchio.

Montaggio e smontaggio della lama del seghetto (Fig. D)

- ◆ Tenere la lama del seghetto (7) con i denti rivolti in avanti.
- ◆ Spingere la leva di bloccaggio della lama del seghetto (6) verso il basso.
- ◆ Infilare completamente il gambo della lama del seghetto nel relativo morsetto.
- ◆ Rilasciare la leva.
- ◆ Per togliere la lama del seghetto (7), spingere la leva di bloccaggio (6) verso il basso ed estrarre la lama.



Avvertenza! La lama potrebbe riscaldarsi dopo l'impiego.

Indossare sempre i guanti quando si rimuove una lama.

Accensione e spegnimento (Fig. F)

- ◆ Per accendere l'elettrotensile, far scorrere il pulsante di sicurezza (5) verso sinistra e tirare e tenere tirato l'interruttore a grilletto a velocità variabile (4).
- ◆ Per spegnere l'elettrotensile, rilasciare il grilletto di azionamento (4).



Avvertenza! Non accendere o spegnere l'elettrotensile quando è sotto carico.



Avvertenza! Quando l'elettrotensile non è utilizzato, far sempre scorrere il pulsante di sicurezza (5) verso destra, nella posizione di bloccaggio.

Controllo velocità variabile

L'interruttore di accensione a velocità variabile consente di scegliere velocità diverse per migliorare notevolmente il ritmo di taglio con materiali diversi.

- La velocità è determinata dalla pressione esercitata sull'interruttore a grilletto (4).

Copertura antigraffio del pattino di scorrimento rimovibile (Fig. E)

La copertura antigraffio del pattino di scorrimento (10) deve essere utilizzata durante il taglio di superfici che si graffiano facilmente, come le superfici laminate, impiallacciate o verniciate.

Per fissare la copertura antigraffio del pattino di scorrimento (10), posizionare la parte anteriore del pattino di scorrimento in alluminio (9) nella parte anteriore della copertura antigraffio e abbassare il seghetto alternativo. La copertura antigraffio della piastra di appoggio si aggancerà saldamente alla parte posteriore della piastra di appoggio in alluminio.

Per rimuovere la copertura antigraffio del pattino di scorrimento afferrarla dal fondo ed estrarla, tenendo le due linguette posteriori.

Corretto posizionamento delle mani (Fig. F)

Avvertenza! Per ridurre il rischio di gravi lesioni personali, tenere le mani SEMPRE nella posizione corretta, come illustrato.

Avvertenza! Per ridurre il rischio di lesioni personali gravi, mantenere SEMPRE l'elettrotensile con presa sicura per prevenire reazioni improvvise.

La posizione corretta delle mani prevede una mano sull'impugnatura principale (3).

Inclinazione del pattino di scorrimento (Fig. G)

- Per sbloccare il pattino di scorrimento, tirare la leva di inclinazione senza chiave (8) di lato.
- Per bloccare il pattino di scorrimento, spingere nuovamente la leva di inclinazione senza chiave (8) sotto il corpo del seghetto alternativo.

Per inclinare il pattino di scorrimento

- Sbloccare il pattino di scorrimento.
- Far scorrere il pattino di scorrimento (9) in avanti per rilasciarlo dalla posizione di arresto positivo a 0°.
- È possibile inclinare il pattino di scorrimento della lama verso sinistra o verso destra alle posizioni preimpostate di 0°, 22,5° e 45°. È possibile fermare manualmente il pattino di scorrimento tra 0° e 45°.
- Una volta ottenuta l'angolazione di inclinazione desiderata, fissare la piastra di appoggio in posizione.

Per riportare il pattino di scorrimento a 0°

- Sbloccare il pattino di scorrimento.
- Ruotare il pattino di scorrimento 0°.
- Far scorrere il pattino di scorrimento nuovamente nella posizione di arresto positivo a 0°.
- Bloccare il pattino di scorrimento.

Taglio (Fig. H)

Avvertenza! Utilizzare sempre protezioni oculari. Tutti gli utenti e gli astanti devono indossare protezioni oculari.

Avvertenza! Prestare particolare attenzione quando si taglia verso l'operatore. Tenere sempre la sega saldamente durante il taglio. La lama deve estendersi oltre il pattino girevole e lo spessore del pezzo durante il taglio. Selezionare la lama più adatta al materiale da tagliare e utilizzare la lama più corta adatta allo spessore del materiale.

Azione di taglio

Orbitale o diritto (Fig. I)

Avvertenza! Accertarsi che il grilletto di azionamento del seghetto alternativo non sia bloccato nella posizione di accensione prima di collegarlo a una presa di corrente. Quando il grilletto è bloccato nella posizione di accensione il seghetto si mette in funzione immediatamente se viene collegato a una presa di corrente. Questo avvio improvviso potrebbe causare lesioni a persone o danni all'elettrotensile. Questo seghetto da traforo consente quattro modalità di taglio: tre con movimento orbitale e uno diritto. 1 Il taglio con movimento orbitale è caratterizzato da un comportamento più aggressivo della lama ed è concepito per lavorare su materiali morbidi, come il legno o la plastica. 2 Il movimento orbitale è adatto per pezzi in legno spesso. 3 Il taglio con movimento orbitale è più rapido, ma meno uniforme attraverso il materiale. Nel taglio con movimento orbitale la lama si sposta in avanti durante la corsa di taglio oltre che con un movimento su e giù.

Nota: Non tagliare mai metalli o materiali in legno duro con la modalità di taglio con movimento orbitale.

Per regolare l'azione di taglio

- Spostare il selettore del movimento orbitale (11) tra le quattro posizioni di taglio: 0, 1, 2 e 3. La posizione 0 corrisponde al taglio diritto. Le posizioni 1 2 e 3 sono per il taglio con movimento orbitale. L'aggressività del taglio aumenta man mano che il selettore del movimento orbitale viene regolato da 1 a 3, dove 3 corrisponde al taglio più aggressivo.

Suggerimenti per un utilizzo ottimale

Suggerimenti per il taglio di laminati

- Dato che la lama taglia sulla corsa verso l'alto, si potrebbe verificare la scheggiatura della superficie più vicina al piedino scorrimento lama.

- ◆ Usare una lama da seghetto con denti sottili.
- ◆ Tagliare dalla superficie posteriore del pezzo.
- ◆ Per ridurre al minimo le scheggiature, fissare un pezzo di legno di scarto o di faesite su entrambi i lati del pezzo e tagliare attraverso questo strato.

Suggerimenti per il taglio di metalli

- ◆ Tenere presente che il taglio del metallo richiede molto più tempo del taglio del legno.
- ◆ Utilizzare una lama da sega adatta per tagliare il metallo.
- ◆ Quando si taglia metallo sottile, fissare un pezzo di legno di scarto sulla superficie posteriore del pezzo e tagliare questo strato.
- ◆ Stendere una pellicola di olio lungo la linea di taglio per un funzionamento più semplice e una maggiore durata della lama. Per il taglio dell'alluminio, è preferibile il cherosene.

Taglio a tasca (Fig. J, K)

Un taglio a tasca è un metodo semplice per eseguire un taglio interno.

La sega può essere inserita direttamente in un pannello o in una tavola senza prima praticare una traccia o un foro pilota. Nel taglio a tasca, misurare la superficie da tagliare e segnlarla chiaramente con una matita.

Quindi inclinare la sega in avanti finché l'estremità anteriore del pattino non si trova saldamente sulla superficie di lavoro e la lama è libera di passare il lavoro per tutta la sua corsa. Accendere l'apparecchio e lasciare che raggiunga la massima velocità. Afferrare saldamente la sega e abbassare lentamente il bordo posteriore dell'utensile finché la lama non raggiunge la sua profondità completa. Tenere il pattino piatto contro il legno e iniziare a tagliare. Non rimuovere la lama dal taglio mentre è ancora in movimento. La lama deve arrestarsi completamente.

Accessori

Le prestazioni dell'elettrotensile dipendono dall'accessorio usato. Gli accessori STANLEY FATMAX sono fabbricati secondo standard qualitativi elevati e sono stati progettati per ottenere le migliori prestazioni dall'elettrotensile. Utilizzando questi accessori sarà possibile ottenere il meglio dall'elettrotensile. Questo apparato è adatto sia per lame con codolo a U che per lame con codolo a T.

Manutenzione

L'apparecchio STANLEY FATMAX è stato progettato per funzionare a lungo con una manutenzione minima. Per ottenere prestazioni sempre soddisfacenti occorre avere cura dell'elettrotensile e sottoporlo a pulizia periodica.

Il caricabatterie non richiede alcuna manutenzione, fuorché una pulizia regolare.



Avvertenza! Prima di eseguire qualsiasi intervento di manutenzione sull'apparato, rimuovere la batteria dall'utensile. Scollegare il caricabatterie dalla presa di corrente prima di pulirlo.

- Pulire regolarmente le prese di ventilazione dell'apparato e il caricabatterie con un pennello o con un panno morbido e asciutto.
- L'alloggiamento del motore deve essere pulito regolarmente con un panno umido. Non utilizzare materiali abrasivi o detergenti a base di solventi.

Tutela ambientale



Raccolta differenziata. I prodotti e le batterie contrassegnati con questo simbolo non devono essere smaltiti insieme ai normali rifiuti domestici.

I prodotti e le batterie contengono materiali che possono essere recuperati e riciclati, riducendo la domanda di materie prime.

Riciclare i prodotti e le batterie in base alle normative locali pertinenti. Ulteriori informazioni sono disponibili all'indirizzo www.2helpU.com.

Dati tecnici

SFMCS650 (H1)			
Tensione	V_{DC}	18	
Velocità a vuoto	min^{-1}	0-3200	
Lunghezza della corsa	mm	25,4	
Profondità max del taglio			
Legno	mm	85	
Acciaio	mm	10	
Alluminio	mm	25	
Peso	kg	1,93	

Caricabatterie		SFMCB11	SFMCB12	SFMCB14
Tensione d'ingresso	V_{AC}	230	230	230
Tensione d'uscita	V_{DC}	18	18	18
Corrente	A	1,25	2	4

Batteria		SFMCB201	SFMCB202	SFMCB204	SFMCB206
Tensione	V_{DC}	18	18	18	18
Capacità	Ah	1,5	2,0	4,0	6,0
Tipo		Li-Ion	Li-Ion	Li-Ion	Li-Ion

Livello di pressione sonora misurato in conformità alla norma EN62841: L_{pA} (pressione sonora) 84 dB(A), Incertezza (K) 5 dB(A)	
L_{WA} (potenza sonora) 95 dB(A), Incertezza (K) 5 dB(A)	
Valori totali di vibrazione (somma vettore triassiale) calcolati in conformità alla norma EN62841:	
Taglio di cartone ($a_{h, \beta}$) 4,5 m/s^2 , incertezza (K) 1,5 m/s^2	
Taglio di lamiera ($a_{h, \omega}$) 6,4 m/s^2 , incertezza (K) 1,5 m/s^2	

Dichiarazione di conformità CE

DIRETTIVA SUI MACCHINARI



Seghetto da traforo SFMCS650

Stanley Fatmax dichiara che i prodotti descritti al capitolo

"Dati tecnici" sono conformi alle normative seguenti:

2006/42/EC, EN62841-1:2015, EN62841-2-
11:2016+A1:2020.

Questi prodotti sono conformi alla Direttiva 2014/30/UE e 2011/65/UE. Per ulteriori informazioni, contattare Stanley Fatmax all'indirizzo seguente o vedere sul retro del manuale. Il firmatario è responsabile della compilazione del documento tecnico e rende questa dichiarazione per conto di Stanley Fatmax.

Patrick Diepenbach

Patrick Diepenbach
Direttore generale, Benelux
Stanley Fatmax,
Egide Walschaertsstraat 14-18
2800 Mechelen, Belgio
22/07/2022

Garanzia

STANLEY FATMAX è sicura della qualità dei propri prodotti e offre ai consumatori una garanzia di 12 mesi dalla data di acquisto. Questa garanzia aggiuntiva non pregiudica in alcun modo i diritti del consumatore previsti dalla legge.

La garanzia è valida sui territori degli stati membri dell'Unione Europea o dell'EFTA (Associazione europea di libero scambio) e del Regno Unito.

Per attivare la garanzia, il reclamo deve essere effettuato in accordo con i Termini e Condizioni STANLEY FATMAX e sarà necessario presentare la prova di acquisto al venditore o all'agente di riparazione autorizzato.

I Termini e Condizioni della garanzia STANLEY FATMAX di 1 anno e la sede dell'agente di riparazione autorizzato più vicino sono consultabili su Internet all'indirizzo www.2helpU.com, o contattando l'ufficio STANLEY FATMAX di zona all'indirizzo indicato in questo manuale.

Visitare il nostro sito www.stanleytools.eu/3 per registrare il nuovo prodotto STANLEY FATMAX e ricevere gli aggiornamenti sui nuovi prodotti e le offerte speciali.

Bedoeld gebruik

De STANLEY FATMAX-decoupeerzaag SFMCS650 is ontworpen voor het zagen van hout, kunststof en plaatmetaal. Dit gereedschap is bedoeld voor professionele en voor niet-professionele gebruikers.

Instructies voor de veiligheid**Algemene veiligheidswaarschuwingen voor elektrisch gereedschap**

Waarschuwing! Lees alle veiligheidswaarschuwingen, instructies, illustraties en specificaties die bij dit gereedschap zijn meegeleverd. Het niet opvolgen van alle onderstaande instructies kan leiden tot een elektrische schok, brand en/of ernstig letsel.

Bewaar alle waarschuwingen en instructies zodat u deze later ook kunt raadplegen. De term "elektrisch gereedschap" in de waarschuwingen verwijst naar uw (met een snoer) op de netspanning aangesloten elektrisch gereedschap of naar uw (snoerloos) elektrisch gereedschap met een accu.

1. Veiligheid op de werkplek

- Houd het werkgebied schoon en goed verlicht.** Op rommelige of donkere plekken kunnen gemakkelijk ongelukken gebeuren.
- Bedien elektrisch gereedschap niet in een explosieve omgeving, zoals in de nabijheid van ontvlambare vloeistoffen, gassen of stof.** Elektrisch gereedschap veroorzaakt vonken die het stof of de dampen kunnen doen ontbranden.
- Houd kinderen en omstanders op een afstand wanneer u elektrisch gereedschap bedient.** Als u wordt afgeleid, kunt u de controle over het gereedschap verliezen.

2. Elektrische veiligheid

- Stekkers van elektrisch gereedschap moeten in het stopcontact passen. Pas de stekker nooit op enigerlei wijze aan. Gebruik geen adapterstekkers met geaard elektrisch gereedschap.** Niet-aangepaste stekkers en passende contactdozen verminderen het risico van een elektrische schok.
- Vermijd lichamelijke contact met gearde oppervlakten zoals buizen, radiatoren, fornuizen en koelkasten.** Er bestaat een verhoogd risico op een elektrische schok als uw lichaam geaard is.
- Stel elektrisch gereedschap niet bloot aan regen of natte omstandigheden.** Als er water elektrisch gereedschap binnendringt, verhoogt dit het risico van een elektrische schok.
- Behandel het netsnoer voorzichtig. Draag het elektrisch gereedschap nooit aan het snoer, trek het gereedschap nooit aan het snoer naar u toe, en**

trek de stekker nooit aan het snoer uit het stopcontact.

Houd het snoer uit de buurt van warmte, olie, scherpe randen of bewegende onderdelen.

Beschadigde snoeren of snoeren die in de war zijn geraakt, verhogen het risico van een elektrische schok.

- e. **Gebruik, wanneer u elektrisch gereedschap buitenshuis gebruikt, een verlengsnoer dat geschikt is voor gebruik buitenshuis.** Het gebruik van een verlengsnoer dat geschikt is voor werken buitenshuis, vermindert het risico van een elektrische schok.
- f. **Als het werken met elektrisch gereedschap op een vochtige locatie onvermijdelijk is, zorg er dan voor dat de stroomvoorziening beveiligd is met een aardlekschakelaar.** Het gebruik van een aardlekschakelaar vermindert het risico van een elektrische schok.

3. Persoonlijke veiligheid

- a. **Blijf alert, kijk wat u doet en gebruik uw gezond verstand wanneer u met elektrisch gereedschap werkt.**
Gebruik het gereedschap niet wanneer u vermoeid bent of onder invloed van drugs, alcohol of medicatie. Een moment van onoplettendheid tijdens het bedienen van elektrisch gereedschap kan leiden tot ernstig persoonlijk letsel.
- b. **Draag persoonlijke beschermende kleding. Draag altijd oogbescherming.** Beschermende uitrusting, zoals een stofmasker, antislip veiligheidsschoenen, een helm, of gehoorbescherming, gebruikt in de juiste omstandigheden, zal het risico van persoonlijk letsel verminderen.
- c. **Zorg ervoor dat het gereedschap niet per ongeluk kan worden gestart. Controleer dat de schakelaar in de stand Uit (Off) staat voor u het gereedschap aansluit op de stroombron en/of de accu plaatst en voor u het gereedschap oppakt en draagt.**
Het dragen van elektrisch gereedschap met uw vinger op de schakelaar of het van stroom voorzien van elektrisch gereedschap waarvan de schakelaar in de stand Aan staat, kan gemakkelijk leiden tot ongelukken.
- d. **Verwijder alle stelsleutels of moersleutels voor u het elektrisch gereedschap inschakelt.** Een steeksleutel of stelsleutel die in een ronddraaiend onderdeel van het elektrisch gereedschap is achtergebleven, kan persoonlijk letsel veroorzaken.
- e. **Reik niet buiten uw macht. Blijf te allen tijde stevig in evenwicht en met beide voeten op de grond staan.** Dit zorgt voor betere controle van het elektrisch gereedschap in onverwachte situaties.

- f. **Draag de juiste kleding. Draag geen loszittende kleding of sieraden. Houd uw haar, kleding en handschoenen uit de buurt van bewegende onderdelen.** Loszittende kleding, sieraden of lang haar kunnen door bewegende delen worden gegrepen.
- g. **Als er in apparaten wordt voorzien voor het aansluiten van apparatuur voor stofafzuiging of het opvangen van stof, zorg er dan voor dat deze goed wordt aangesloten en gebruikt.** Het gebruik van stofafzuiging kan aan stof gerelateerde gevaren verminderen.
- h. **Denk niet dat u, doordat u het gereedschap veel hebt gebruikt, het allemaal wel weet en dat u de veiligheidsbeginselen kunt negeren.** Een onvoorzichtige actie kan in een fractie van een seconde ernstig letsel tot gevolg hebben.

4. Gebruik en verzorging van elektrisch gereedschap

- a. **Forceer het elektrisch gereedschap niet. Gebruik het juiste elektrisch gereedschap voor uw toepassing.**
Het juiste elektrische gereedschap voert de werkzaamheden waarvoor het is ontworpen, beter en veiliger uit.
- b. **Gebruik het gereedschap niet als u het niet met de schakelaar in en uit kunt schakelen.** Ieder gereedschap dat niet met de schakelaar kan worden bediend, is gevaarlijk en moet worden gerepareerd.
- c. **Haal de stekker uit het stopcontact en/of neem de accu, als deze uitneembaar is, uit het gereedschap voor u aanpassingen uitvoert, accessoires verwisselt, of het elektrisch gereedschap opbergt.** Dergelijke preventieve veiligheidsmaatregelen verminderen het risico dat het elektrisch gereedschap per ongeluk wordt gestart.
- d. **Bewaer gereedschap dat niet wordt gebruikt, buiten het bereik van kinderen en laat niet toe dat personen die onbekend zijn met het elektrisch gereedschap of deze instructies het gereedschap bedienen.** Elektrisch gereedschap is gevaarlijk in de handen van ongetrainde gebruikers.
- e. **Onderhoud elektrisch gereedschap en accessoires goed. Controleer op verkeerde uitlijning en het aanlopen van bewegende onderdelen, breuk van onderdelen en andere omstandigheden die de werking van het elektrisch gereedschap nadelig kunnen beïnvloeden. Laat het gereedschap voor gebruik repareren, als het is beschadigd.** Veel ongelukken worden veroorzaakt doordat elektrisch gereedschap niet goed is onderhouden.
- f. **Houd gereedschap scherp en schoon.** Goed onderhouden gereedschap loopt minder snel vast en is gemakkelijker onder controle te houden.

- g. Gebruik het elektrische gereedschap, de accessoires en gereedschapsonderdelen, enz. in overeenstemming met deze instructies, waarbij u rekening houdt met de werkomstandigheden en de uit te voeren werkzaamheden.**

Gebruik van het elektrische gereedschap voor werkzaamheden die anders zijn dan het bedoelde gebruik, kunnen leiden tot een gevaarlijke situatie.

- h. Houd de handgrepen en oppervlakken die u beet pakt, droog, schoon en vrij van olie en vet.** Door gladde handgrepen en oppervlakken die u beet pakt, kan veilig werken en bedienen van het gereedschap in onverwachte situaties onmogelijk worden.

5. Gebruik en onderhoud van accugereedschap

- a. Laad de accu alleen op met de lader die wordt opgegeven door de fabrikant.** Een lader die geschikt is voor het ene type accu, kan een risico van brand doen ontstaan bij gebruik met een andere accu.

- b. Gebruik elektrisch gereedschap alleen in combinatie met specifiek vermelde accu's.** Het gebruik van andere accu's kan gevaar voor letsel en brand opleveren.

- c. Houd accu's die niet worden gebruikt uit de buurt van andere metalen voorwerpen, zoals paperclips, munten, spijkers, schroeven of andere kleine metalen voorwerpen die een verbinding van de ene pool naar de andere tot stand kunnen brengen.** Als kortsluiting tussen de polen van de accu's wordt gemaakt, kunnen brandwonden of brand worden veroorzaakt.

- d. Wanneer de accu niet goed wordt behandeld, kan er vloeistof uit de accu spuiten, vermijd contact met deze vloeistof.** Als er per ongeluk contact ontstaat, spoel dan met water. Als de vloeistof in de ogen komt, roep dan tevens medische hulp in. Vloeistof die uit de batterij komt, kan irritatie en brandwonden veroorzaken.

- e. Werk niet met een accu of met gereedschap dat beschadigd is of waaraan wijzigingen zijn aangebracht.** Beschadigde of gemodificeerde accu's kunnen zich onvoorspelbaar gedragen en dat kan brand, explosie of een risico van letsel tot gevolg kan hebben.

- f. Stel een accu of gereedschap niet bloot aan open vuur of uitzonderlijk hoge temperatuur.** Brand of een temperatuur boven de 130 °C kunnen de accu doen exploderen.

- g. Volg alle instructies voor het opladen en laad de accu of het gereedschap niet op buiten het temperatuurbereik dat in de instructies wordt opgegeven.**

Door op onjuiste wijze opladen of opladen bij een temperatuur buiten het opgegeven bereik kan de accu beschadigd raken en het risico van brand toenemen.

6. Service

- a. Zorg dat u gereedschap wordt onderhouden door een erkende reparateur die uitsluitend identieke vervangende onderdelen gebruikt.**

Dit garandeert dat de veiligheid van het gereedschap behouden blijft

- b. Probeer nooit beschadigde accu's te repareren.** De reparaties aan accu's mogen alleen worden uitgevoerd door de fabrikant of door geautoriseerde servicecentra.

Aanvullende veiligheidswaarschuwingen voor elektrisch gereedschap



Waarschuwing! Aanvullende veiligheidswaarschuwingen voor decoupeerzagen en reciprozagen

- ◆ **Houd het gereedschap alleen vast aan geïsoleerde oppervlakken als u een handeling uitvoert waarbij het zaaggereedschap in contact kan komen met verborgen bedrading.** Accessoires van gereedschap die in contact komen met bedrading die onder stroom staat, kunnen metalen onderdelen van het gereedschap onder stroom zetten en de gebruiker een elektrische schok geven.
- ◆ **Zet het werkstuk met klemmen of op een andere praktische manier vast en ondersteun het op een stabiele ondergrond.**
Wanneer u het werkstuk vasthoudt met de hand of het tegen uw lichaam gedrukt houdt, is het instabiel en kunt u de controle verliezen.
- ◆ **Houd uw handen weg uit het zaaggebied.** Steek uw handen nooit, om welke reden dan ook, onder het werkstuk. Blijf met uw vingers en duim uit de buurt van het heen en weer bewegende zaagblad en van de heen en weer bewegende zaagbladklem. Houd de zaag niet in evenwicht door de zool vast te houden.
- ◆ **Houd zaagbladen scherp.** Door botte of beschadigde bladen kan de zaag onder druk afwijken of blijven steken. Gebruik altijd het juiste type zaagblad voor het werkstukmateriaal en het type zaagsnede.
- ◆ **Als u een pijp of buis gaat doorzagen, controleert u of deze geen water, elektrische bedrading, enzovoort, bevat.**
- ◆ **Raak het werkstuk of het zaagblad niet meteen na het zagen aan.** Zij kunnen zeer heet worden.
- ◆ **Wees bedacht op verborgen gevaren.** Controleer waar zich bedrading en leidingen bevinden voordat u in muren, vloeren of plafonds zaagt.
- ◆ **Nadat u de schakelaar hebt losgelaten blijft het blad bewegen.**

Schakel het gereedschap altijd uit en wacht tot het zaagblad volledig tot stilstand is gekomen voor u het gereedschap neerlegt.

Waarschuwing! Contact met of inademing van het stof dat bij het zagen vrijkomt, kan de gezondheid van de gebruiker en omstanders. Draag een stofmasker dat speciaal is ontworpen ter bescherming tegen stoffen en dampen, en let erop dat andere personen op de werkvloer of die de werkvloer betreden eveneens zijn beschermd.

- ◆ Het bedoeld gebruik wordt beschreven in deze gebruiksaanwijzing.
- ◆ Het gebruik van een accessoire of hulpstuk of het uitvoeren van een handeling met dit gereedschap voor andere doeleinden dan wordt geadviseerd in deze gebruiksaanwijzing, kan leiden tot gevaar voor persoonlijk letsel en/of materiële schade geven.

Veiligheid van anderen

- ◆ Dit gereedschap mag niet worden gebruikt door personen (waaronder kinderen) die lichamelijk of geestelijk mindervalide zijn of die geen ervaring met of kennis van dit gereedschap hebben, tenzij ze onder toezicht staan of instructies krijgen wat betreft het gebruik van het gereedschap van een persoon die verantwoordelijk is voor hun veiligheid.
- ◆ Houd toezicht op kinderen zodat zij niet met het apparaat kunnen spelen.

Overige risico's

Er kunnen zich nog meer risicovolle situaties voordoen wanneer u het gereedschap gebruikt, die mogelijk niet in de bijgesloten veiligheidswaarschuwingen worden vermeld. Deze risico's kunnen voortvloeien uit verkeerd gebruik, langdurig gebruik, enz.

Zelfs bij het toepassen van de relevante veiligheidsvoorschriften en het gebruik van veiligheidsvoorzieningen zullen bepaalde risico's misschien niet kunnen worden vermeden. Dit zijn onder meer:

- ◆ Verwondingen die worden veroorzaakt door het aanraken van draaiende of bewegende onderdelen.
- ◆ Verwondingen die worden veroorzaakt bij het vervangen van onderdelen, bladen of accessoires.
- ◆ Verwondingen die worden veroorzaakt door langdurig gebruik van het gereedschap. Las vooral regelmatig pauzes in wanneer u gereedschap langdurig achtereen gebruikt.
- ◆ Gehoorbeschadiging.
- ◆ Gezondheidsrisico's als gevolg van het inademen van stof dat door gebruik van het gereedschap wordt veroorzaakt (bijvoorbeeld tijdens het werken met hout, vooral eiken, beuken en MDF.)

Trilling

De verklaarde trillingsemisiewaarden die worden vermeld in de technische gegevens en de verklaring van conformiteit, zijn gemeten volgens een standaardtestmethode van EN 62841

en kan worden gebruikt voor het vergelijken van het ene gereedschap met het andere.

De verklaarde trillingsemisiewaarde kan ook worden gebruikt voor een voorlopige beoordeling van blootstelling.

Waarschuwing! De trillingsemisiewaarde tijdens werkelijk gebruik van het elektrisch gereedschap kan verschillen van de verklaarde waarde, afhankelijk van de manieren waarop het gereedschap wordt gebruikt. De trillingswaarde kan toenemen tot boven het vermelde niveau.

Bij het beoordelen van blootstelling aan trilling ter vaststelling van de veiligheidsmaatregelen die worden vereist volgens 2002/44/EG ter bescherming van personen die in hun werk regelmatig elektrisch gereedschap gebruiken, moet een schatting van de blootstelling aan trilling de feitelijke gebruiksomstandigheden en de manier waarop het gereedschap wordt gebruikt in overweging nemen, en ook rekening houden met alle onderdelen van de bedrijfscyclus zoals het aantal malen dat het gereedschap wordt uitgeschakeld en dat het gereedschap stationair draait, in aanvulling op de ingeschakelde tijd.

Etiketten op het gereedschap

De volgende pictogrammen worden samen met de datumcode op het gereedschap getoond:



Waarschuwing! Beperk het risico van letsel, de gebruiker moet de instructiehandleiding lezen.



Zichtbare straling. Kijk niet in de lichtstraal.

Aanvullende veiligheidsinstructies voor accu's en laders

Accu's

- ◆ Probeer nooit de batterijen om welke reden dan ook open te maken.
- ◆ Stel de batterij niet bloot aan water.
- ◆ Bewaar deze niet op locaties waar de temperatuur hoger is dan 40 °C.
- ◆ Laad de accu's alleen op bij omgevingstemperaturen tussen 10°C en 40 °C.
- ◆ Gebruik alleen de lader die bij het apparaat is geleverd.
- ◆ Gooi lege accu's weg volgens de instructies in het gedeelte "Milieu".



Laad beschadigde accu's niet op.

Laders

- ◆ Gebruik uw STANLEY FATMAX-lader alleen voor het opladen van de accu in het apparaat waarbij de lader is bijgeleverd. Andere batterijen kunnen exploderen, met

lichamelijk letsel en materiële schade tot gevolg.

- ◆ Niet-laadbare accu's mogen nooit worden opgeladen.
- ◆ Een defect snoer moet direct worden vervangen.
- ◆ Stel de lader niet bloot aan water.
- ◆ Open de lader niet.
- ◆ Prik nooit met een scherp voorwerp in de lader.



De lader is uitsluitend bestemd voor gebruik binnenshuis.



Lees voor gebruik deze gebruikershandleiding.

Elektrische veiligheid



De lader is dubbel geïsoleerd, zodat een aardeaansluiting niet nodig is. Controleer altijd dat de netspanning overeenkomt met de waarde op het typeplaatje. Probeer nooit de lader door een normale netstekker te vervangen.

- ◆ Als het netsnoer is beschadigd, moet dit worden vervangen door de fabrikant of een STANLEY FATMAX-servicecentrum zodat gevaarlijke situaties worden voorkomen.

Functies

Dit gereedschap is voorzien van enkele van de volgende functies of alle volgende functies.

1. Accu
2. Accu-ontgrendelknop
3. Hoofdhandgreep
4. Variabele-snelheidsschakelaar
5. Vergrendelknop
6. Gereedschapsloze (Tool Free) vrijgave van het zaagblad
7. Zaagblad
8. Hendel voor het zonder sleutel instellen van de zaaghoek
9. Zaagschoen
10. Afdekking zaagschoen
11. Selectieknop voor rondzagen

Montage



Waarschuwing! Verwijder voor montage de accu van het gereedschap en controleer dat het zaagblad niet meer beweegt. Zaagbladen die kort tevoren in gebruik zijn geweest, kunnen heet zijn.

De accu opladen (Afb. A)

De accu moet vóór het eerste gebruik worden opgeladen en ook zodra deze niet meer voldoende vermogen levert voor taken die eerst gemakkelijk konden worden uitgevoerd. Tijdens het opladen kan de accu warm worden. Dit is normaal en duidt niet op een probleem.

Waarschuwing! Laad de batterij niet op bij een

omgevingstemperatuur van lager dan 10 °C of hoger dan 40 °C. De aanbevolen laadtemperatuur ligt op ongev. 24 °C.

Opmerking: De lader functioneert niet als de temperatuur van de accu lager is dan ongeveer 10 °C of hoger dan 40 °C.

Laat de accu in dat geval in de lader zitten. De lader wordt automatisch ingeschakeld wanneer de accu de juiste temperatuur heeft.

Opmerking: U kunt maximale prestaties en levensduur van lithium-ion-accu's garanderen door de accu's volledig op te laden voordat u ze voor het eerst in gebruik neemt.

- ◆ Steek de lader (12) in een geschikt stopcontact voordat u de accu (1) plaatst.
- ◆ Het groene laadlampje (12a) zal ononderbroken knipperen ten teken dat de laadprocedure is begonnen.
- ◆ Een volledig opgeladen accu wordt aangegeven door het groene lampje (12a) dat constant AAN blijft. De accu (1) is volledig opgeladen en kan worden gebruikt of kan in de acculader (12) blijven zitten.
- ◆ Lege accu's moet u binnen 1 week opladen. Als u accu's leeg bewaart, loopt de levensduur van de accu's aanzienlijk terug.

Acculader LED-standen

	Bezig met opladen: Groene LED knippert	
	Geheel opgeladen: Groene LED aan	
	Hete/koude accu vertraging: Groene LED knippert Rode LED aan	

Opmerking: De geschikte lader(s) laden niet een kapotte accu op. Gaat de laadindicator niet branden, dan is dat een teken dat de accu kapot is.

Opmerking: Dit kan ook betekenen dat er iets mis is met de lader. Als de lader laat zien dat er een probleem is, laat de lader en de accu dan testen door een geautoriseerd servicecentrum.

De accu in de lader laten zitten

U kunt de accu voor onbeperkte tijd in de lader laten zitten terwijl het LED-lampje brandt. De lader houdt de accu volledig opgeladen.

Hot/Cold Pack Delay (Vertraging Hete/Koude Accu)

Wanneer de lader detecteert dat de accu te koud of te warm is, start de lader automatisch een vertraging hete/koude accu,

de groene LED (12a) knippert, terwijl de rode LED (12b) aan blijft, het laadproces wordt uitgesteld tot de accu de juiste temperatuur heeft bereikt. De lader schakelt dan automatisch over op de accu-laadstand. Deze functie waarborgt een maximale levensduur van de accu.

Laadniveau-indicator (Afb. B)

Deze accu is voorzien van een laadniveau-indicator, zodat u snel de laadstatus van de accu kunt zien, zoals afgebeeld in afbeelding B. Door op de laadniveau-knop (1a) te drukken kunt u eenvoudig de resterende lading van de accu zien, zoals afgebeeld in afbeelding B.



De accu in het gereedschap plaatsen en eruit nemen

Waarschuwing! Controleer dat de knop voor vergrendeling in de Uit-stand is ingeschakeld zodat de tacker niet kan worden ingeschakeld, voordat u de accu uitneemt of plaatst.

De accu plaatsen (Afb. C)

- ◆ Plaats de accu (1) in het gereedschap tot u een klik hoort, zoals wordt getoond in Afbeelding C. Controleer dat de accu goed op z'n plaats zit en volledig is vergrendeld.

De accu uitnemen (Afb. C)

- ◆ Druk op de accuvrijgaveknop (2), zoals in afbeelding C wordt getoond en trek de accu uit het gereedschap.

Het zaagblad plaatsen en verwijderen (Afb. D)

- ◆ Houd het zaagblad (7) vast met de tanden van het zaagblad naar voren gericht.
- ◆ Duw de vrijgavehendel (6) van het zaagblad omlaag.
- ◆ Plaats de zaagbladschacht volledig, zo ver mogelijk, in de zaagbladklem.
- ◆ Laat de hendel los.
- ◆ Duw, als u het zaagblad (7) wilt verwijderen, de vrijgavehendel (6) van het zaagblad omlaag en trek het zaagblad uit.



Waarschuwing! Het zaagblad kan heet aanvoelen na gebruik.
Draag altijd handschoenen wanneer u zaagbladen verwijdert.

In- en uitschakelen (Afb. F)

- ◆ U schakelt het gereedschap in door de knop (5) voor vergrendeling in de uit-stand naar links te schuiven en vervolgens de schakelaar (4) voor variabele snelheid/aan/uit in te trekken en vast te houden.
- ◆ Laat de aan/uit-schakelaar (4) los wanneer u het gereedschap wilt uitschakelen.



Waarschuwing! Zet het gereedschap niet uit of aan terwijl het wordt belast.



Waarschuwing! Schuif de knop (5) voor vergrendeling in de uit-stand altijd naar rechts, in de vergrendelde positie, wanneer het gereedschap niet wordt gebruikt.

Variabele-snelheidsregeling

De schakelaar voor variabele snelheid/aan/uit biedt een keuze aan snelheden, u kunt hierdoor met de zaag veel beter werken in diverse materialen.

- De snelheid van het gereedschap wordt bepaald door hoe ver u aan/uit-schakelaar (4) intrekt.

Afneembare anti-kraszoolkap (Afb. E)

Gebruik de afneembare anti-kras zoolkap (10) wanneer u oppervlakken zaagt die gemakkelijk krassen, zoals laminaat of een gemerist of geschilderd oppervlak.

Bevestig de anti-kras zoolkap (10) door de voorzijde van de aluminium zool (9) voor de anti-kras zoolkap te plaatsen en de decoupeerzaag omlaag te brengen. De anti-kraszoolbedekking zal dan stevig in de achterzijde van de aluminium zool klikken.

Verwijder de anti-kras zoolkap door de kap aan de onderzijde beet te pakken; neem de kap los terwijl u de twee achterste nokken vasthoudt.

Juiste handpositie (Afb. F)

Waarschuwing! Om het risico op ernstig persoonlijk letsel te verminderen, dient u ALTIJD de handen in de juiste positie te hebben, zoals afgebeeld.

Waarschuwing! Om het risico op ernstig persoonlijk letsel te verminderen, houdt u het ALTIJD stevig vast, anticiperend op een plotselinge reactie.

Voor de juiste handpositie zet u één hand op de hoofdhandgreep (3).

De zool schuin zetten (Afb. G)

- ◆ Ontgrendel de zool door de sleutelvrije hendel voor schuine zaagsnede (8) naar opzij te trekken.
- ◆ Vergrendel de zool door de sleutelvrije hendel (8) voor schuine zaagsnede weer onder de behuizing van de decoupeerzaag te duwen.

De zool schuin zetten

- ◆ Ontgrendel de zool.
- ◆ Schuif de zool (9) naar voren zodat deze vrijkomt uit de 0° positieve stoppositie.
- ◆ U kunt de zool naar links en naar rechts in verstek zetten in de standen 0°, 22,5° en 45°. U kunt de zool met de hand vastzetten in iedere stand tussen 0° en 45°.
- ◆ Vergrendel de zool op z'n plaats wanneer de gewenste schuine hoek is bereikt.

De zool weer op 0° zetten

- ◆ Ontgrendel de zool.
- ◆ Draai de zool weer naar 0°.
- ◆ Schuif de zool terug in de 0° positieve stoppositie.
- ◆ Vergrendel de zool.

Zagen (Afb. F)

Waarschuwing! Draag altijd oogbescherming. Alle gebruikers en omstanders moeten bescherming voor de ogen dragen.

Waarschuwing! Ga extra voorzichtig te werk wanneer u naar uzelf toe zaagt. Houd de zaag tijdens het zagen altijd stevig vast.

Controleer dat het zaagblad over de gehele zaagsnede voorbij de draaiende schoen en de dikte van het werkstuk uitsteekt. Kies het zaagblad dat het beste geschikt is voor het te zagen materiaal en gebruik het kortste zaagblad dat geschikt is voor de dikte van het materiaal.

Zaagwerking

Rond of recht (Afb. I)

Waarschuwing! Het gereedschap mag niet in de stand AAN zijn vergrendeld wanneer u de stekker in het stopcontact steekt. Als de aan/uit-schakelaar is vergrendeld in de aan-stand wanneer het gereedschap wordt aangesloten op het elektriciteitsnet, zal het onmiddellijk in werking treden. Hierdoor kan schade aan uw gereedschap optreden of kunt u gewond raken. Deze decoupeerzaag heeft vier zaagfuncties, drie rond en één recht. 1 De ronde zaagwerking heeft een agressievere zaagbladbeweging en is ontworpen voor het zagen van zachte materialen zoals hout en kunststof. 2 Ronde zaagwerking is geschikt voor dikke stukken hout. 3 De ronde zaagwerking geeft een snellere zaagsnede, maar een minder gelijkmatige zaagsnede door het materiaal heen. Bij de ronde zaagbeweging beweegt het zaagblad naar voren tijdens de zaagslag, in aanvulling op de op- en neergaande beweging.

Opmerking: Metaal en hardhout moet u nooit rond zagen.

De zaagwerking afstellen

- ◆ Verplaats de selectieknop voor het instellen van de ronde zaagwerking (11) tussen de vier zaagstanden: 0, 1, 2 en 3. Positie 0 is voor recht zagen. Posities 1 2 en 3 zijn voor rond zagen. De agressiviteit van de zaagsnede neemt toe naarmate de selectieknop voor de ronde zaagwerking wordt verzet van één naar drie, waarbij drie de meest agressieve zaagsnede is.

Aanwijzingen voor optimaal gebruik

Tips voor het zagen van laminaat

- ◆ Omdat het blad tijdens de opwaartse slag zaagt, kan er splintervorming optreden aan het oppervlak dat zich het dichtst bij de zool bevindt.
- ◆ Gebruik een zaagblad met fijne tanden.
- ◆ Zaag het werkstuk vanaf de achterzijde.

- ◆ Klem een stuk afvalhout of hardboard aan weerszijden van het werkstuk en zaag door al deze lagen, zodat er zo min mogelijk splinters ontstaan.

Tips voor het zagen van metaal

- ◆ Houd er rekening mee dat het zagen bij metaal veel meer tijd kost dan bij hout.
- ◆ Gebruik een zaagblad dat geschikt is voor het zagen van metaal.
- ◆ Klem wanneer u dun plaatmetaal zaagt, een stuk afvalhout of hardboard aan de achterzijde van het werkstuk en zaag vervolgens door deze sandwich.
- ◆ Breng een dunne laag olie aan langs de lijn die de zaag gaat volgen, zodat het zagen gemakkelijker verloopt en het zaagblad langer meegaat. Voor het zagen van aluminium kunt u beter kerosine gebruiken.

Invalzagen (Afb. J, K)

Invalzagen is een gemakkelijke methode om een gat te zagen. U kunt de zaag direct in plaatmateriaal of een plank steken zonder dat u eerst een gat hoeft te boren. Meet voor het insteekzagen het oppervlak op dat moet worden gezaagd en schrijf het duidelijk af met een potlood.

Kantel vervolgens de zaag naar voren tot de voorste rand van de zool op het werkoppervlak rust en het zaagblad over de gehele slag vrij is van het werkoppervlak. Schakel het gereedschap in en laat het op volle snelheid komen. Pak de zaag stevig vast en breng de achterste rand van het gereedschap langzaam omlaag tot het zaagblad de volledige diepte bereikt. Houd de zool vlak tegen het hout en begin te zagen. Haal het zaagblad niet uit de zaagsnede zolang het nog beweegt. Het zaagblad moet volledig tot stilstand komen.

Accessoires

De prestaties van het gereedschap zijn afhankelijk van de gebruikte accessoires. Accessoires van STANLEY FATMAX zijn ontworpen met het doel aan hoge kwaliteitsnormen te voldoen en de prestaties van uw gereedschap te verhogen. Door deze accessoires te gebruiken bereikt u het beste resultaat met uw gereedschap. Dit gereedschap is geschikt voor zowel zaagbladen met een U-schacht als zaagbladen met een T-schacht.

Onderhoud

Het STANLEY FATMAX gereedschap is ontworpen om gedurende lange tijd te functioneren met een minimum aan onderhoud. Het continu naar tevredenheid functioneren hangt af van de juiste zorg voor het gereedschap en regelmatige reiniging.

Ander onderhoud dan een regelmatige schoonmaakbeurt vraagt uw lader niet.



Waarschuwing! Neem voordat u onderhoud uitvoert de accu uit het gereedschap. Trek de stekker van de lader uit het stopcontact voor u de lader schoonmaakt.

- Reinig regelmatig de ventilatieopeningen van het gereedschap en de lader met een zachte borstel of droge doek.
- Reinig de behuizing van de motor regelmatig met een vochtige doek.
Gebruik geen schuurmiddelen of schoonmaakmiddelen die op een oplosmiddel zijn gebaseerd.

Bescherming van het milieu



Gescheiden afvalinzameling. Producten en accu's die zijn voorzien van dit symbool mogen niet bij het normale huishoudafval worden weggegooid.

Producten en accu's bevatten materialen die kunnen worden teruggewonnen of gerecycled, wat de vraag naar grondstoffen doet afnemen.

Recycle elektrische producten en accu's volgens de ter plaatse geldende voorschriften. Nadere informatie is beschikbaar op www.2helpU.com

Technische gegevens

SFMCS650 (H1)			
Spanning	V_{DC}		18
Snelheid onbelast	min^{-1}	0 - 3200	
Slaglengte	mm		25,4
Max. zaagdiepte			
Hout	mm		85
Staal	mm		10
Aluminium	mm		25
Gewicht	kg		1,93

Lader		SFMCB11	SFMCB12	SFMCB14
Ingangsspanning	V_{AC}	230	230	230
Uitgangsspanning	V_{DC}	18	18	18
Laadstroom	A	1,25	2	4

Accu		SFMCB201	SFMCB202	SFMCB204	SFMCB206
Spanning	V_{DC}	18	18	18	18
Capaciteit	Ah	1,5	2,0	4,0	6,0
Type		Li-Ion	Li-Ion	Li-Ion	Li-Ion

Geluidsdruk niveau volgens EN62841:	
L_{pA} (geluidsdruk) 84 dB(A), meetonzekerheid (K) 5 dB(A)	
L_{WA} (geluidsvermogen) 95 dB(A), meetonzekerheid (K) 5 dB(A)	
Totale trillingswaarden (som triaxvector) volgens EN62841:	
In planken zagen ($a_{h,0}$) 4,5 m/s^2 , meetonzekerheid (K) 1,5 m/s^2	
In bladmetaal zagen ($a_{h,u}$) 6,4 m/s^2 , meetonzekerheid (K) 1,5 m/s^2	

EG-verklaring van overeenstemming

RICHTLIJN VOOR MACHINES



SFMCS650 Decoupeerzaag

Stanley Fatmax verklaart hierbij dat de producten die worden beschreven onder "technische gegevens" voldoen aan: 2006/42/EC, EN62841-1:2015, EN62841-2-11:2016+A1:2020.

Deze producten voldoen tevens aan richtlijn 2014/30/EU en 2011/65/EU. Neem voor meer informatie contact op met Stanley Fatmax op het volgende adres of kijk op de achterzijde van de handleiding.

Ondergetekende is verantwoordelijk voor het samenstellen van het technische bestand en doet deze verklaring namens Stanley Fatmax.

Patrick Diepenbach

Patrick Diepenbach
General Manager, Benelux
Stanley Fatmax,
Egide Walschaertsstraat 14-18
2800 Mechelen, Belgium
22/07/2022

Garantie

STANLEY FATMAX heeft vertrouwen in zijn producten en biedt consumenten een garantie van 12 maanden vanaf de datum van aankoop. Deze garantie is een aanvulling op uw wettelijke rechten en maakt op geen enkele wijze inbreuk daarop. De garantie is geldig binnen het grondgebied van de Lidstaten van de Europese Unie en de Europese Vrijhandelszone het Verenigd Koninkrijk.

Voor een garantie-aanspraak moet uw aanspraak in overeenstemming zijn met de STANLEY FATMAX garantievoorwaarden en moet u een bewijs van aankoop overleggen aan de verkoper of een geautoriseerde reparatiemonteur.

De garantievoorwaarden van de STANLEY FATMAX 1 jarige garantie en het adres van een geautoriseerde reparatiemonteur bij u in de buurt, kunt u vinden op www.2helpU.com, of door contact op te nemen met het STANLEY FATMAX kantoor bij u in de buurt, het adres staat in deze handleiding vermeld.

Bezoek onze website www.stanleytools.eu/3 om uw nieuwe STANLEY FATMAX product te registreren, zodat u updates over nieuwe producten en speciale aanbiedingen kunt ontvangen.

Uso previsto

La sierra de vaivén SFMCS650 de STANLEY FATMAX ha sido diseñada para aserrar madera, plásticos y chapas metálicas. Esta herramienta ha sido concebida para usuarios profesionales y para usuarios particulares no profesionales.

Instrucciones de seguridad

Advertencias de seguridad generales para herramientas eléctricas



¡Advertencia! Lea todas las advertencias de seguridad, instrucciones, ilustraciones y especificaciones suministradas con esta herramienta eléctrica. El incumplimiento de las instrucciones que se indican a continuación puede causar descargas eléctricas, incendios y/o lesiones graves.

Guarde todas las advertencias e instrucciones para poder consultarlas con posterioridad. El término "herramienta eléctrica" que aparece en las advertencias se refiere a la herramienta eléctrica que funciona a través de la red eléctrica (con cable) o a la herramienta eléctrica que funciona a batería (sin cable).

1. Seguridad en la zona de trabajo

- a. **Mantenga su área de trabajo limpia y bien iluminada.** Las áreas desordenadas u oscuras pueden provocar accidentes.
- b. **No utilice herramientas eléctricas en atmósferas explosivas, como ambientes donde haya polvo, gases o líquidos inflamables.** Las herramientas eléctricas originan chispas que pueden inflamar el polvo o los gases.
- c. **Mantenga alejados a los niños y a las personas que estén cerca mientras utiliza una herramienta eléctrica.** Las distracciones pueden ocasionar una pérdida de control.

2. Seguridad eléctrica

- a. **Los enchufes de las herramientas eléctricas deben corresponderse con la toma de corriente. No modifique nunca el enchufe de ninguna forma. No utilice ningún enchufe adaptador con herramientas eléctricas conectadas a tierra (a masa).** Los enchufes no modificados y las tomas de corriente correspondientes reducen el riesgo de descarga eléctrica.
- b. **Evite el contacto corporal con superficies conectadas a tierra tales como tuberías, radiadores, cocinas y neveras.** Existe un mayor riesgo de descarga eléctrica si su propio cuerpo está conectado a tierra.

c. **No exponga las herramientas eléctricas a la lluvia ni a condiciones húmedas.** Si entra agua en una herramienta eléctrica, aumenta el riesgo de descarga eléctrica.

d. **No someta el cable de alimentación a presión innecesaria. No use nunca el cable para transportar, tirar de la herramienta eléctrica o desenchufarla.** Mantenga el cable alejado del calor, aceite, bordes afilados y piezas en movimiento. Los cables dañados o enredados aumentan el riesgo de descarga eléctrica.

e. **Cuando esté utilizando una herramienta eléctrica al aire libre, use un cable prolongador adecuado para uso en exteriores.** La utilización de un cable adecuado para el uso en exteriores reduce el riesgo de descarga eléctrica.

f. **Si no puede evitar utilizar una herramienta eléctrica en un lugar húmedo, use un suministro protegido con un dispositivo diferencial residual (DDR).** El uso de un dispositivo de corriente residual reduce el riesgo de descarga eléctrica.

3. Seguridad personal

- a. **Manténgase alerta, esté atento a lo que hace y use el sentido común cuando utilice una herramienta eléctrica.**
No maneje una herramienta eléctrica cuando esté cansado o bajo los efectos de drogas, medicamentos o alcohol. Un momento de desatención cuando se manejan herramientas eléctricas puede ocasionar lesiones personales graves.
- b. **Utilice equipo de protección personal. Utilice siempre protección ocular.** El uso del equipo de protección individual, como mascarillas antipolvo, calzado antideslizante, casco o protección auditiva para condiciones apropiadas reduce las lesiones personales.
- c. **Evite la puesta en funcionamiento involuntaria. Asegúrese de que el interruptor esté en posición de apagado antes de conectar con la fuente de alimentación y/o la batería, de levantar o transportar la herramienta.**
Transportar herramientas eléctricas con el dedo puesto en el interruptor o herramientas eléctricas activadoras con el interruptor encendido puede causar accidentes.
- d. **Saque cualquier llave de ajuste o llave inglesa antes de encender la herramienta eléctrica.** Si se deja puesta una llave inglesa u otra llave en una pieza en movimiento de la herramienta eléctrica pueden ocasionarse lesiones personales.

- e. No se estire demasiado. Mantenga un equilibrio adecuado y la estabilidad constantemente.** Esto permite un mejor control de la herramienta eléctrica en situaciones inesperadas.
- f. Use la vestimenta adecuada. No se ponga ropa suelta o joyas. Mantenga el cabello y la ropa alejados de las piezas móviles.** La ropa suelta, las joyas y el pelo largo pueden quedar atrapados en las piezas en movimiento.
- g. Si se suministran dispositivos para la conexión del equipo de extracción y recogida de polvo, asegúrese de que estén conectados y de que se usen adecuadamente.** El uso de equipo de recogida de polvo puede reducir los riesgos relacionados con el polvo.
- h. No deje que la familiaridad adquirida con el uso frecuente de las herramientas le lleve a fiarse demasiado y a descuidar las principales normas de seguridad de la herramienta.** En cuestión de segundos, un descuido puede causar lesiones graves.
- 4. Uso y cuidado de la herramienta eléctrica**
- a. No fuerce la herramienta eléctrica. Use la herramienta eléctrica correcta para su trabajo.** La herramienta eléctrica correcta funcionará mejor y con mayor seguridad si se utiliza de acuerdo con sus características técnicas.
- b. No utilice la herramienta eléctrica si no puede encenderse y apagarse con el interruptor.** Toda herramienta eléctrica que no pueda controlarse con el interruptor es peligrosa y debe ser reparada.
- c. Desconecte el enchufe de la fuente de alimentación y/o extraiga la batería de la herramienta eléctrica, si esta es desmontable, antes de realizar ajustes, cambiar accesorios o guardar la herramienta eléctrica.** Dichas medidas de seguridad preventivas reducen el riesgo de poner en marcha accidentalmente la herramienta eléctrica.
- d. Guarde las herramientas eléctricas que no esté utilizando fuera del alcance de los niños y no permita que las utilicen las personas que no estén familiarizadas con ellas o con estas instrucciones.** Las herramientas eléctricas son peligrosas en manos de personas no capacitadas.
- e. Efectúe el mantenimiento de las herramientas eléctricas y de los accesorios. Compruebe si hay desalineación o bloqueo de las piezas en movimiento, rotura de piezas y otras condiciones que puedan afectar el funcionamiento de la herramienta eléctrica. Si la herramienta eléctrica está dañada, llévela a reparar antes de utilizarla.** Muchos accidentes se producen por el mantenimiento inadecuado de las herramientas eléctricas.
- f. Mantenga las herramientas de corte afiladas y limpias.** Hay menos probabilidad de que las herramientas de corte con bordes afilados se bloqueen y son más fáciles de controlar.
- g. Utilice la herramienta eléctrica, los accesorios y las brocas de la herramienta, etc., conforme a estas instrucciones, teniendo en cuenta las condiciones de trabajo y el trabajo que vaya a realizar.** El uso de la herramienta eléctrica para operaciones que no sean las previstas puede ocasionar una situación peligrosa.
- h. Mantenga todas las empuñaduras y superficies de agarre secas, limpias y libres de aceite y grasa.** Las empuñaduras y superficies de agarre resbaladizas impiden el agarre y el control seguro de la herramienta en situaciones imprevistas.
- 5. Uso y cuidado de la herramienta de batería**
- a. Haga las recargas exclusivamente con el cargador indicado por el fabricante.** Un cargador adecuado para un tipo de batería puede causar riesgo de incendio si se utiliza con otra batería.
- b. Utilice herramientas eléctricas solamente cuando se especifique en la batería.** El uso de otra batería puede ocasionar riesgo de lesiones o incendios.
- c. Cuando no se utilice la batería, manténgala alejada de objetos de metal como clips para papel, monedas, llaves, clavos, tornillos y otros pequeños objetos metálicos que pueden realizar una conexión de un terminal a otro.** Puentear los terminales de la batería puede causar quemaduras o un incendio.
- d. En condiciones abusivas, podrá salir líquido de la batería, evite el contacto. Si se produce un contacto accidental, lávese con agua. Si el líquido entra en contacto con los ojos, busque atención médica de inmediato.** El líquido expulsado por la batería puede causar irritaciones o quemaduras.
- e. No utilice baterías o herramientas dañadas o modificadas.** Las baterías dañadas o modificadas pueden presentar un funcionamiento imprevisto y causar incendio, explosión o riesgo de lesiones.
- f. No exponga la batería o la herramienta al fuego o a temperaturas excesivas.** La exposición al fuego o a una temperatura superior a 130 °C puede causar explosión.
- g. Siga todas las instrucciones de carga y no cargue la batería o la herramienta fuera del rango de temperatura indicado en las instrucciones.** La carga incorrecta o a temperaturas fuera del intervalo especificado puede dañar la batería y aumentar el riesgo de incendio.

6. Servicio

a. Lleve su herramienta eléctrica para que sea reparada por una persona cualificada para realizar las reparaciones y que use solo piezas de repuesto idénticas.

Esto le asegurará el mantenimiento de la seguridad de la herramienta eléctrica.

b. No repare nunca las baterías dañadas. El mantenimiento de las baterías debe ser realizado únicamente por el fabricante o los proveedores de servicios autorizados.

de las personas que se encuentren en el lugar. Utilice una mascarilla diseñada específicamente para proteger contra el polvo y los vapores, y asegúrese de que las demás personas que se encuentren dentro o vayan a entrar en el área de trabajo también estén protegidas.

- ◆ En este manual se describe el uso previsto.
- ◆ El uso de accesorios o acoplamientos o la realización de cualquier operación con esta herramienta distintos a los recomendados en este manual de instrucciones pueden ocasionar riesgo de lesiones personales y/o daños materiales.

Advertencias de seguridad adicionales para herramientas eléctricas



¡Advertencia! Advertencias de seguridad adicionales para sierras de vaivén y sierras alternativas

- ◆ **Sostenga la herramienta eléctrica por las superficies de agarre aisladas cuando realice una operación en la que el accesorio de corte pueda entrar en contacto con un cable oculto.** El contacto de los accesorios de corte con un cable cargado, puede cargar las partes metálicas expuestas de la herramienta eléctrica y producir una descarga eléctrica al operador.
- ◆ **Utilice fijaciones u otro tipo de método para fijar y apoyar la pieza de trabajo en una plataforma estable.** Si sostiene la pieza de trabajo con las manos o con el cuerpo, la pieza quedará inestable y podrá hacer que usted pierda el control.
- ◆ **Mantenga las manos lejos de la zona de corte y de la hoja.** Nunca ponga la mano bajo la pieza de trabajo. No introduzca los dedos alrededor de la hoja de vaivén ni en el enganche. No establezca la sierra agarrando la base.
- ◆ **Mantenga las hojas afiladas.** La hojas flojas o dañadas pueden provocar que la sierra dé un viraje brusco o se paralice al ejercer la presión para el corte. Utilice siempre el tipo de hoja de serrar apropiada para cada tipo de material de trabajo y corte.
- ◆ **Al cortar una cañería o tubo asegúrese que no contienen restos de agua, cableado eléctrico, etc.**
- ◆ **No toque la pieza de trabajo o la hoja justo después de utilizar la herramienta.** Pueden alcanzar temperaturas muy elevadas.
- ◆ **Tenga en cuenta los peligros ocultos, antes de serrar paredes, suelos o techos, compruebe la ubicación de los cables y tubos.**
- ◆ **La hoja seguirá moviéndose después de soltar el interruptor.** Apague la herramienta y espere siempre a que la hoja se detenga completamente antes de dejar la herramienta.

¡Advertencia! El contacto o inhalación del polvo generado por la sierra puede poner en peligro la salud del operador y

Seguridad de otras personas

- ◆ Las personas (incluidos niños) con capacidades físicas, sensoriales o mentales disminuidas o que carezcan de experiencia y conocimientos no deben utilizar esta herramienta, salvo que hayan recibido supervisión o formación con respecto al uso del aparato por parte de una persona responsable de su seguridad.
- ◆ Los niños deben estar vigilados en todo momento para asegurarse de que no jueguen con el aparato.

Riesgos residuales

Pueden producirse otros riesgos residuales al usar la herramienta que no se hayan incluido en las advertencias de seguridad adjuntas. Estos riesgos pueden derivarse de un mal uso, un uso prolongado, etc.

No obstante el cumplimiento de las normas de seguridad pertinentes y del uso de dispositivos de seguridad, existen determinados riesgos residuales que no pueden evitarse. Esto incluye:

- ◆ Lesiones producidas por el contacto con piezas móviles o giratorias.
- ◆ Lesiones producidas al cambiar cualquier pieza, hoja o accesorio.
- ◆ Lesiones producidas al usar una herramienta por un tiempo demasiado prolongado. Cuando use cualquier herramienta durante periodos prolongados, asegúrese de hacer pausas regulares.
- ◆ Deterioro auditivo.
- ◆ Riesgos para la salud producidos al respirar el polvo que se genera al usar la herramienta (por ejemplo: en los trabajos con madera, especialmente de roble, haya y tableros de densidad mediana).

Vibraciones

Los valores de emisiones de las vibraciones declarados que se indican en los datos técnicos y en la declaración de conformidad se han medido de conformidad con un método estándar de prueba establecido en la norma EN 62841 y se puede utilizar para comparar una herramienta con otra. El valor declarado de emisión de las vibraciones también se puede usar en una evaluación preliminar de la exposición.

¡Advertencia! El valor de emisión de las vibraciones durante

el uso de la herramienta eléctrica puede variar con respecto al valor declarado, dependiendo de las formas de usar la herramienta. El nivel de las vibraciones puede superar el nivel indicado.

A la hora de evaluar la exposición a las vibraciones para determinar las medidas de seguridad exigidas por la Directiva 2002/44/CE para proteger a las personas que utilizan habitualmente herramientas electrónicas en su trabajo, una estimación de la exposición a las vibraciones debe tener en cuenta las condiciones reales de uso y la forma en que se utiliza la herramienta, teniendo en cuenta también todas las partes del ciclo operativo, como el tiempo que la herramienta está apagada y cuando funciona en ralentí, además del tiempo de activación.

Etiquetas en la herramienta

En la herramienta aparecen los pictogramas siguientes, así como el código de fecha:



¡Advertencia! Para reducir el riesgo de lesiones, el usuario debe leer el manual de instrucciones.



Radiación invisible. No fije la mirada en la luz.

Instrucciones de seguridad adicionales para baterías y cargadores

Baterías

- ◆ Jamás trate de abrirla por ninguna razón.
- ◆ No exponga la batería al agua.
- ◆ No la guarde en lugares en los que la temperatura pueda superar los 40 °C.
- ◆ Realice la carga únicamente a una temperatura ambiente de entre 10 °C y 40 °C.
- ◆ Utilice únicamente el cargador suministrado con la herramienta para realizar la carga.
- ◆ Cuando vaya a desechar la batería, siga las instrucciones detalladas en la sección "Protección del medio ambiente".



No intente cargar baterías dañadas.

Cargadores

- ◆ Utilice el cargador STANLEY FATMAX para cargar únicamente la batería de la herramienta con la que fue suministrado. En caso de intentar cargar otras baterías, estas podrían explotar causando lesiones personales y daños.
- ◆ Nunca intente cargar baterías no recargables.
- ◆ Sustituya los cables defectuosos inmediatamente.
- ◆ No exponga el cargador al agua.
- ◆ No abra el cargador.
- ◆ No aplique ningún dispositivo para medir la resistencia del

cargador.



Este cargador está pensado únicamente para utilizar en un lugar interior.



Lea el manual de instrucciones antes de utilizar el aparato.

Seguridad eléctrica



El cargador está provisto de doble aislamiento, por lo que no requiere una toma de tierra. Compruebe siempre que el voltaje de la red eléctrica coincida con el valor indicado en la placa de datos. No intente sustituir el cargador por un enchufe convencional para la red eléctrica.

- ◆ Si se daña el cable de alimentación, debe ser sustituido por el fabricante o por un centro de asistencia técnica autorizado de STANLEY FATMAX para evitar peligros.

Características

Esta herramienta incluye todas o algunas de las características siguientes.

1. Batería
2. Botón de liberación de la batería
3. Empuñadura principal
4. Interruptor de velocidad variable
5. Botón de bloqueo
6. Liberación de la hoja sin herramientas
7. Hoja
8. Palanca de biselado sin llave
9. Base
10. Cubierta zapata
11. Selector de acción orbital

Ensamblaje



¡Advertencia! Antes de proceder al montaje, extraiga la batería de la herramienta y asegúrese de que la hoja se ha detenido. Después de utilizar la hoja, es posible que esté caliente.

Carga de la batería (Fig. A)

Es necesario cargar la batería antes del primer uso y cada vez que empiece a no tener suficiente potencia para tareas que eran fáciles de realizar anteriormente.

Es posible que la batería se caliente durante la carga, esto es normal y no denota ningún problema.

Advertencia. No cargue la batería si la temperatura ambiente es inferior a 10 °C o superior a 40 °C. La temperatura de carga recomendada es de aproximadamente 24 °C.

Nota: El cargador no cargará la batería si la temperatura de esta es inferior a los 10 °C o superior a los 40 °C







aproximadamente.

Deje la batería en el cargador y este empezará a cargarla automáticamente cuando la temperatura de la batería aumente o disminuya.

Nota: Para garantizar el máximo rendimiento y la máxima duración de sus baterías de iones de litio, cárguelas completamente antes de utilizarlas.

- ◆ Enchufe el cargador (12) en una toma adecuada antes de introducir la batería (1).
- ◆ La luz verde de carga (12a) pestañeará continuamente, indicando que se ha iniciado el proceso de carga.
- ◆ Se indicará que la carga ha terminado cuando la luz verde de carga (12a) quede encendida de manera continua. La batería (1) está totalmente cargada y puede sacarla, usarla o dejarla en el cargador (12).
- ◆ Cargue las baterías descargadas en el plazo de 1 semana. La vida útil de la batería disminuirá considerablemente si ésta se almacena descargada.

Modos del LED del cargador

	Cargando: LED verde intermitente	
	Totalmente cargada: LED verde fijo	
	Retardo por batería fría/ caliente: LED verde intermitente LED rojo fijo	

Nota: Los cargadores compatibles no cargan las baterías defectuosas. Si el cargador no se ilumina significa que la batería está averiada.

Nota: Esto también podría significar un problema con el cargador. Si el cargador indica un problema, lleve el cargador y la batería a un centro de reparación autorizado para que los prueben.

Dejar la batería en el cargador

El cargador y la batería pueden permanecer conectados durante un periodo de tiempo indefinido con el indicador LED iluminado. El cargador mantendrá la batería a baja temperatura y completamente cargada.

Retardo por batería fría / caliente

Cuando el cargador detecta que la batería está demasiado caliente o demasiado fría, inicia automáticamente un retardo por batería fría/caliente, el LED verde (12a) parpadea en modo intermitente, y el LED rojo (12b) queda encendido continuamente, suspendiendo la carga hasta que la batería alcance la temperatura adecuada. El cargador cambiará automáticamente al modo de carga de batería. Esta característica le asegura la máxima vida útil de la batería.

Indicador del estado de la carga de la batería (Fig. B)

La batería incluye un indicador de estado de carga para determinar rápidamente la duración de la batería, como se muestra en la figura B. Pulsando el botón de estado de carga (1a) puede ver fácilmente la carga que queda en la batería, como se muestra en la figura B.



Colocar y sacar la batería de la herramienta

¡Advertencia! Asegúrese de que el botón de desbloqueo está bloqueado para evitar que se active el interruptor antes de sacar o colocar la batería.

Colocación de la batería (Fig. C)

- ◆ Inserte la batería (1) firmemente en la herramienta hasta que se oiga un clic audible, como se muestra en la figura C. Compruebe que la batería esté correctamente colocada y bloqueada en su posición.

Extracción de la batería (Fig. C)

- ◆ Apriete el botón de liberación de la batería (2) como se muestra en la figura C y saque la batería de la herramienta.

Colocación y extracción de la hoja de la sierra (Fig. D)

- ◆ Sujete la hoja (7) con los dientes hacia delante.
- ◆ Empuje la palanca de bloqueo de la hoja de la sierra (6) hacia abajo.
- ◆ Introduzca el vástago de la hoja completamente en la abrazadera de la hoja hasta el tope.
- ◆ Suelte la palanca.
- ◆ Para retirar la hoja de la sierra (7), empuje la palanca de liberación de la hoja de la sierra (6) hacia abajo y tire de la hoja hacia fuera.



¡Advertencia! Es posible que la hoja se caliente al utilizarla. Utilice siempre guantes cuando extraiga una hoja.

Encendido y apagado (Fig. F)

- ◆ Para encender la herramienta, deslice el botón de bloqueo (5) hacia la izquierda y después apriete y mantenga apretado el interruptor del gatillo de velocidad variable (4).
- ◆ Para apagar la herramienta, suelte el interruptor de gatillo (4).



¡Advertencia! No apague ni encienda la herramienta mientras se está cargando.



¡Advertencia! Deslice siempre el interruptor de bloqueo (5) hacia la derecha, que es la posición de bloqueo cuando no se utiliza la herramienta.

- ◆ Introduzca la zapata en la posición de parada positiva en 0°.
- ◆ Bloquee la zapata.

Control de la velocidad variable

El interruptor de encendido/apagado de velocidad variable permite elegir la velocidad adecuada para unos mejores resultados de corte en distintos materiales.

- La velocidad está determinada por la cantidad de veces que se aprieta el gatillo (4).

Cubierta antiarañazos de la zapata extraíble (Fig. E)

La cubierta antiarañazos (10) de la zapata debe utilizarse cuando se cortan superficies que se arañan fácilmente, como láminas, chapas de madera o superficies pintadas.

Para colocar la cubierta antiarañazos de la zapata (10), coloque la parte frontal de la zapata de aluminio (9) en la parte frontal de la cubierta antiarañazos de la zapata y baje la sierra de vaivén. La cubierta antiarañazos de la zapata se fijará en modo seguro en la parte trasera de la zapata de aluminio.

Para retirar la cubierta antiarañazos de la zapata, aférrela por la parte inferior y, sosteniendo las dos pestañas traseras, sáquela.

Posición correcta de las manos (Fig. F)

¡Advertencia! Para reducir el riesgo de lesiones personales graves, mantenga SIEMPRE las manos en una posición adecuada como se muestra.

¡Advertencia! Para reducir el riesgo de lesiones personales graves, sujete SIEMPRE bien la herramienta para anticiparse a cualquier reacción repentina.

La posición adecuada de las manos es con una mano apoyada en la empuñadura principal (3).

Biselado de la zapata (Fig. E)

- ◆ Para desbloquear la zapata, tire de palanca de biselado sin llave (8) hacia el costado.
- ◆ Para bloquear la zapata, empuje la palanca de biselado sin llave (8) hacia atrás, por debajo del cuerpo de la sierra de vaivén.

Para biselar la zapata

- ◆ Desbloquee la zapata.
- ◆ Deslice la zapata (9) hacia delante para liberarla de la posición de parada positiva en 0°.
- ◆ La zapata puede biselarse hacia la izquierda o la derecha y tiene retenes a 0°, 22,5° y 45°. La zapata puede detenerse manualmente en cualquier grado entre 0° y 45°.
- ◆ Una vez alcance el ángulo de bisel deseado, bloquee la zapata en su lugar.

Vuelva a ajustar la zapata en 0°.

- ◆ Desbloquee la zapata.
- ◆ Vuelva a girar la zapata hacia 0°.

Corte (Fig. H)

¡Advertencia! Utilice siempre protección ocular. Todos los usuarios y las personas que los rodeen deberán llevar protección visual.

¡Advertencia! Preste especial atención cuando corte hacia un operador. Sostenga siempre firmemente la herramienta durante el corte.

Compruebe que la hoja sobresalga de la zapata pivotante y del espesor de la pieza de trabajo durante el corte. Seleccione la hoja más adecuada para el material a cortar y utilice la hoja más corta adecuada al espesor del material.

Acción de corte

Orbital o recto (Fig. I)

Advertencia. Compruebe que la herramienta no esté encendida antes de conectarla a una fuente de alimentación. Si el interruptor está encendido cuando se conecta a la fuente de alimentación la herramienta, está arrancará inmediatamente. Puede ocasionar daños a la herramienta o lesiones personales. Esta sierra de vaivén está dotada de cuatro acciones de corte, tres orbitales y una recta. 1 La acción orbital tiene un movimiento de hoja más agresivo y se destina al corte de materiales blandos como la madera o el plástico. 2 La acción orbital es apta para piezas de madera gruesas. 3 La acción orbital ofrece un corte más rápido, pero menos regular por el material. En la acción orbital, la hoja se mueve hacia delante por el recorrido del corte, además del movimiento hacia arriba y abajo.

Nota: Los metales o maderas duras no deben cortarse nunca con la acción orbital.

Para ajustar la acción de corte

- ◆ Mueva el selector de acción orbital (11) entre las cuatro posiciones de corte: 0, 1, 2 y 3. La posición 0 corresponde al corte recto. Las posiciones 1, 2 y 3 corresponden al corte orbital. La agresividad del corte aumenta a medida que se ajusta el selector de acción orbital en la posición uno a tres, siendo la tercera el corte más agresivo.

Sugerencias para un uso óptimo

Consejos para serrar laminados

- ◆ Debido a que la hoja de sierra efectúa el corte durante el movimiento hacia arriba, es posible que la superficie más cercana a la base se pueda astillar.
- ◆ Utilice una hoja de sierra con dientes pequeños.
- ◆ Sierra por la parte trasera de la pieza de trabajo.
- ◆ Para minimizar el astillamiento, sujete un recorte de madera o aglomerado a ambos lados de la pieza de trabajo y corte el conjunto.

Consejos para serrar metales

- ◆ Tenga en cuenta que serrar metal lleva mucho más tiempo que serrar madera.
- ◆ Utilice una hoja apropiada para serrar metal.
- ◆ Cuando corte una plancha de metal delgada, sujete un recorte de madera en la parte trasera de la pieza de trabajo y corte el conjunto.
- ◆ Extienda una fina capa de aceite a lo largo de la línea de corte de la sierra para trabajar más fácilmente y prolongar la vida de la hoja. Para cortar aluminio, es preferible el queroseno.

Corte de bolsillo (Fig. J, K)

El corte de bolsillo es un método sencillo para realizar un corte interior.

La sierra puede introducirse directamente en un panel o tablero, sin crear previamente un orificio o ranura piloto. En un corte de bolsillo, mida la superficie que va a cortar y marque claramente la misma con un lápiz.

A continuación, incline la sierra hacia delante hasta que el borde frontal de la zapata quede firme sobre la superficie de trabajo y la hoja se acerque a la pieza de trabajo a lo largo de todo el recorrido. Encienda la herramienta y deje que alcance la velocidad máxima. Agarre la sierra firmemente y baje el borde trasero de la herramienta lentamente hasta que la hoja alcance su máxima profundidad. Mantenga la zapata contra la madera y empiece a cortar. No retire la hoja del corte mientras aún esté en movimiento. La hoja deberá detenerse por completo.

Accesorios

El funcionamiento adecuado de la herramienta depende de los accesorios que utilice. Los accesorios de STANLEY FATMAX han sido fabricados siguiendo estándares de alta calidad y han sido diseñados para mejorar el funcionamiento de la herramienta. Usando estos accesorios obtendrá el máximo de su herramienta. Esta herramienta es adecuada para hojas de sierra con vástago en U y con vástago en T.

Mantenimiento

La herramienta STANLEY FATMAX ha sido diseñada para funcionar durante un largo período de tiempo con un mantenimiento mínimo. El funcionamiento satisfactorio y continuo depende del buen cuidado de la herramienta y de una limpieza frecuente.

El cargador no requiere otro mantenimiento que una limpieza periódica.



¡Advertencia! Antes de realizar alguna operación de mantenimiento en la herramienta, extraiga la batería. Desenchufe el cargador antes de limpiarlo.

- Limpie periódicamente las ranuras de ventilación de la herramienta y del cargador con un cepillo suave o un paño seco.

- Limpie periódicamente la carcasa del motor con un paño húmedo. No utilice productos de limpieza abrasivos o a base de disolventes.

Protección del medioambiente



Recogida selectiva. Los productos y las baterías marcadas con este símbolo no se deben desechar con la basura doméstica normal.

Los productos y las baterías contienen materiales que se puedan recuperar o reciclar y reducen la demanda de materias primas.

Recicle los productos eléctricos y las baterías de conformidad con las normas locales. Puede obtener más información en www.2helpU.com

Datos técnicos

SFMCS650 (H1)		
Voltaje	V _{cc}	18
Velocidad en vacío	min ⁻¹	0 - 3200
Longitud de carrera	mm	25,4
Profundidad máxima de corte		
Madera	mm	85
Acero	mm	10
Aluminio	mm	25
Peso	kg	1,93

Cargador		SFMCB11	SFMCB12	SFMCB14
Voltaje de entrada	V _{ca}	230	230	230
Voltaje de salida	V _{cc}	18	18	18
Corriente	A	1,25	2	4

Batería		SFMCB201	SFMCB202	SFMCB204	SFMCB206
Voltaje	V _{cc}	18	18	18	18
Capacidad	Ah	1,5	2,0	4,0	6,0
Tipo		iones de litio	iones de litio	iones de litio	iones de litio

Nivel de presión acústica de acuerdo con la norma EN62841: L _{pa} (presión acústica) 84 dB (A), incertidumbre (K) 5 dB (A)
L _{wa} (potencia acústica) 95 dB (A), incertidumbre (K) 5 dB (A)
Valores totales de vibración (suma vectorial triaxial) de acuerdo con la norma EN62841:
Corte de tablas (a _{h, z}) 4,5 m/s ² , incertidumbre (K) 1,5 m/s ²
Corte de planchas de metal (a _{h, w}) 6,4 m/s ² , incertidumbre (K) 1,5 m/s ²

Declaración de conformidad CE

DIRECTIVA SOBRE MAQUINARIA



Sierra de vaivém SFMCS650

STANLEY FATMAX declara que los productos descritos en "Datos técnicos" cumplen las siguientes normas: 2006/42/CE, EN62841-1:2015, EN62841-2-11:2016+A1:2020.

Estos productos también son conformes a las directivas 2014/30/UE y 2011/65/UE. Para más información, póngase en contacto con Stanley Fatmax en la dirección indicada a continuación o bien consulte la parte posterior de este manual.

El abajo firmante es el responsable de la elaboración de la documentación técnica y expide la presente declaración en nombre y representación de Stanley Fatmax.

Patrick Diepenbach

Patrick Diepenbach
Director General, Benelux
Stanley Fatmax,
Egide Walschaertsstraat 14-18
2800 Mechelen, Bélgica
22/07/2022

Garantía

STANLEY FATMAX confía en la calidad de sus productos y ofrece a los consumidores una garantía de 12 meses a partir de la fecha de compra. Esta garantía es adicional a sus derechos legales y no los menoscaba en modo alguno. La garantía es válida dentro de los territorios de los Estados Miembros de la Unión Europea y del Área de Libre Comercio Europea y el Reino Unido.

Para reclamar la garantía, la reclamación se debe presentar de conformidad con las condiciones de STANLEY FATMAX y se debe presentar el justificante de compra al vendedor o al agente técnico autorizado.

Las condiciones de la garantía de STANLEY FATMAX de 1 año de duración y la ubicación de su agente técnico autorizado más cercano se pueden obtener en Internet en www.2helpU.com o poniéndose en contacto con su oficina local de STANLEY FATMAX en la dirección que se indica en este manual.

Visite nuestro sitio web www.stanleytools.eu/3 para registrar su nuevo producto STANLEY FATMAX y recibir noticias sobre nuevos productos y ofertas especiales.

Utilização pretendida

A serra de vaivém SFMCS650 da STANLEY FATMAX foi concebida para serrar madeira, plásticos e chapa metálica. Esta ferramenta destina-se a utilização profissional bem como a utilizadores privados não profissionais.

Instruções de segurança

Avisos de segurança gerais relativos a ferramentas eléctricas



Atenção! Leia todos os avisos de segurança, instruções, ilustrações e especificações fornecidos com esta ferramenta eléctrica.

O não cumprimento de todas as instruções indicadas abaixo pode resultar em choque eléctrico, incêndio e/ou ferimentos graves.

Guarde todos os avisos e instruções para futura referência.

Em todos os avisos que se seguem, o termo "ferramenta eléctrica" refere-se à sua ferramenta alimentada pela rede eléctrica (com fio) ou por uma bateria (sem fio).

1. Segurança na área de trabalho

- a. **Mantenha a área de trabalho limpa e bem iluminada.** As áreas desorganizadas ou escuras são propensas a acidentes.
- b. **Não utilize as ferramentas eléctricas em ambientes explosivos, como, por exemplo, na presença de líquidos, gases ou poeiras inflamáveis.** As ferramentas eléctricas criam faíscas que podem inflamar estas poeiras ou vapores.
- c. **Mantenha crianças e outras pessoas à distância quando utilizar a ferramenta eléctrica.** As distrações podem levar à perda do controlo da ferramenta.

2. Segurança eléctrica

- a. **As fichas das ferramentas eléctricas têm de ser compatíveis com a tomada de electricidade. Nunca modifique a ficha de forma alguma.** Não utilize fichas adaptadoras com ferramentas eléctricas ligadas à terra. As fichas não modificadas e as tomadas compatíveis reduzem o risco de choque eléctrico.
- b. **Evite o contacto corporal com superfícies ligadas à terra, como tubos, radiadores, fogões e frigoríficos.** Se o seu corpo estiver "ligado" à terra, o risco de choque eléctrico é maior.
- c. **Não exponha as ferramentas eléctricas à chuva ou a condições de humidade.** A entrada de água numa ferramenta eléctrica aumenta o risco de choque eléctrico.
- d. **Não aplique força excessiva sobre o cabo. Nunca o utilize para transportar, puxar ou desligar a ferramenta eléctrica.** Mantenha o cabo afastado de fontes de calor, substâncias oleosas, arestas aguçadas ou peças móveis.

Os cabos danificados ou emaranhados aumentam o risco de choque eléctrico.

- e. **Utilizar uma ferramenta eléctrica no exterior, use uma extensão adequada para utilização ao ar livre.** A utilização de um cabo adequado para uso ao ar livre reduz o risco de choque eléctrico.
- f. **Se não for possível evitar trabalhar com uma ferramenta eléctrica num local húmido, utilize uma fonte de alimentação protegida por um dispositivo de corrente residual (DCR).** A utilização de um DCR reduz o risco de choque eléctrico.

3. Segurança pessoal

- a. **Esteja atento, preste atenção ao que está a fazer e use o bom senso quando operar uma ferramenta eléctrica.**

Não utilize uma ferramenta eléctrica quando estiver cansado ou sob o efeito de drogas, álcool ou medicamentos. Um momento de distração durante a utilização de ferramentas eléctricas pode causar ferimentos graves.

- b. **Use equipamento de protecção individual. Use sempre protecção ocular.** O equipamento de protecção, como, por exemplo, uma máscara anti-poeiras, sapatos de segurança antiderrapantes, um capacete de segurança ou uma protecção auditiva, usado nas condições apropriadas, reduz o risco de ferimentos.

- c. **Evite accionamentos acidentais. Verifique se o gatilho da ferramenta está na posição de desligado antes de ligá-la à fonte de alimentação e/ou à bateria, segurar ou transportar a ferramenta.** Se mantiver o dedo no gatilho quando transportar ferramentas eléctricas ou se ligá-las à fonte de alimentação com o gatilho ligado, podem ocorrer acidentes.

- d. **Retire qualquer chave de ajuste ou chave de porcas antes de ligar a ferramenta eléctrica.** Uma chave de porcas ou chave de ajuste deixada numa peça móvel da ferramenta poderá resultar em ferimentos.

- e. **Não se estique demasiado quando trabalhar com a ferramenta. Mantenha-se sempre bem posicionado e equilibrado.** Desta forma, é mais fácil controlar a ferramenta eléctrica em situações inesperadas.

- f. **Use vestuário adequado. Não use roupa larga ou jóias. Mantenha o cabelo e a roupa afastados das peças móveis.** As roupas largas, as jóias ou o cabelo comprido podem ficar presos nestas peças.

- g. **Se forem fornecidos acessórios para a ligação de máquinas de extracção e recolha de partículas, verifique se estes são ligados e utilizados correctamente.**

A utilização de dispositivos de extracção de partículas pode reduzir os riscos relacionados com as mesmas.

- h. **Não permita que a familiaridade resultante da utilização frequente de ferramentas lhe permita ser complacente e ignorar os princípios de segurança da ferramenta.** Uma acção descuidada pode causar ferimentos graves numa fracção de segundo.

4. Utilização e cuidados a ter com a ferramenta

- a. **Não utilize a ferramenta eléctrica de forma forçada. Utilize a ferramenta eléctrica correcta para o seu trabalho.**

A ferramenta eléctrica adequada efectua o trabalho de um modo mais eficiente e seguro se for utilizada de acordo com a potência para a qual foi concebida.

- b. **Não utilize a ferramenta eléctrica se o respectivo gatilho não a ligar e desligar.** Qualquer ferramenta eléctrica que não possa ser controlada através do gatilho de alimentação é perigosa e tem de ser reparada.

- c. **Retire a ficha da tomada de electricidade e/ou retire a bateria da ferramenta eléctrica, caso seja desmontável, antes de efectuar quaisquer ajustes, substituir acessórios, ou guardar ferramentas eléctricas.** Estas medidas de segurança preventivas reduzem o risco de ligar a ferramenta eléctrica acidentalmente.

- d. **Guarde as ferramentas eléctricas que não estiverem a ser utilizadas fora do alcance de crianças e não permita que o equipamento seja utilizado por pessoas não familiarizadas com o mesmo ou com estas instruções.** As ferramentas eléctricas são perigosas nas mãos de pessoas que não possuam as qualificações necessárias para manuseá-las.

- e. **Faça a manutenção das ferramentas eléctricas e dos acessórios. Verifique se as peças móveis da ferramenta eléctrica estão alinhadas e não emperram, se existem peças partidas ou danificadas ou quaisquer outras condições que possam afectar o funcionamento da mesma. Se a ferramenta eléctrica estiver danificada, só deve ser utilizada depois de ser reparada.** Muitos acidentes têm como principal causa ferramentas eléctricas com uma manutenção insuficiente.

- f. **Mantenha as ferramentas de corte sempre afiadas e limpas.** As ferramentas de corte sujeitas a uma manutenção adequada, com arestas de corte afiadas, emperram com menos frequência e controlam-se com maior facilidade.

g. Utilize a ferramenta eléctrica, os acessórios e as peças, etc., de acordo com estas instruções, tendo em conta as condições de trabalho e a tarefa a ser efectuada.

A utilização da ferramenta eléctrica para fins diferentes dos previstos poderá resultar em situações perigosas.

h. Mantenha os punhos e as pegas secos, limpos e sem óleo ou massa lubrificante. Punhos e superfícies de fixação molhados não permitem o funcionamento e o controlo seguros em situações inesperadas.

5. Utilização e cuidados a ter com a ferramenta com baterias

a. Recarregue apenas com o carregador especificado pelo fabricante. Um carregador adequado para um tipo de bateria pode causar um incêndio se for utilizado com outra bateria.

b. Utilize ferramentas eléctricas apenas com baterias específicas. A utilização de outras baterias pode dar origem a ferimentos e a incêndio.

c. Quando uma bateria não estiver a ser utilizada, mantenha-a afastada de outros objectos metálicos como, por exemplo, cliques, moedas, chaves, pregos, parafusos ou outros pequenos objectos metálicos que possam fazer ligação de um terminal a outro. O curto-circuito dos terminais de bateria pode causar queimaduras ou incêndio.

d. Em condições abusivas, pode derramar líquido da bateria, devendo evitar o contacto. Se tocar acidentalmente no líquido, lave bem com água. Se o líquido entrar em contacto com os olhos, consulte um médico. O líquido derramado da bateria pode causar irritação ou queimaduras.

e. Não utilize uma bateria ou ferramenta que esteja danificada ou modificada. As baterias danificadas ou modificadas podem dar origem a um comportamento imprevisível e resultar em incêndio, explosão ou ferimentos.

f. Não exponha a bateria ou a ferramenta a fogo ou temperatura excessiva. A exposição a fogo ou temperatura superior a 130 °C pode causar uma explosão.

g. Siga todas as instruções de carregamento. Não carregue a bateria ou a ferramenta fora da gama especificada nas instruções. O carregamento indevido ou a temperaturas fora da gama especificada podem causar danos na bateria e aumentar o risco de incêndio.

6. Assistência

a. A sua ferramenta eléctrica só deve ser reparada por um técnico qualificado e só devem ser utilizadas peças sobresselentes originais.

Desta forma, é garantida a segurança da ferramenta eléctrica

b. Nunca repare baterias danificadas. A reparação de baterias danificadas só deve ser efectuada pelo fabricante ou por fornecedores de serviços autorizados.

Avisos de segurança adicionais relativos a ferramentas eléctricas



Atenção! Avisos de segurança adicionais para serras de vaivém e serras alternadas

- ◆ **Segure a ferramenta eléctrica apenas pelas superfícies isoladas específicas para o efeito ao efectuar uma operação em que o acessório de corte possa entrar em contacto com fios ocultos.** O acessório de corte que entre em contacto com um fio com tensão eléctrica poderão fazer com que as peças de metal expostas da ferramenta conduzam electricidade e electrocitem o utilizador.
- ◆ **Utilize grampos ou outro sistema prático para fixar e apoiar a peça de trabalho numa plataforma estável.** Segurar a peça com a mão ou contra o corpo pode causar instabilidade e perda de controlo.
- ◆ **Mantenha as mãos afastadas da área de corte.** Nunca manuseie a parte inferior da peça de trabalho. Não introduza os dedos perto da lâmina correspondente e o sistema de fixação da lâmina. Não agarre no arrasto para estabilizar a serra.
- ◆ **Mantenha as lâminas afiadas.** Lâminas embotadas ou danificadas podem desviar ou encravar a serra sob pressão. Utilize sempre o tipo apropriado de lâmina de serra para o material e tipo de corte.
- ◆ **Quando cortar tubos ou condutas, certifique-se de que não têm água, cablagem, etc.**
- ◆ **Não toque na peça ou na lâmina quando abrir a ferramenta.** Podem ficar muito quentes.
- ◆ **Tenha cuidado com os perigos escondidos, antes de cortar em paredes, tectos ou chãoes devido à localização de fios e tubos.**
- ◆ **A lâmina vai continuar a mover-se depois de desengatar o interruptor.** Desligue sempre a ferramenta e aguarde até que a lâmina da serra pare completamente antes de pousar a ferramenta.

Atenção! O contacto ou a inalação de poeiras originadas pelas aplicações de corte pode colocar em perigo a saúde do operador ou das pessoas presentes. Utilize uma máscara especificamente concebida para protecção contra poeiras e vapores e certifique-se de que as pessoas perto da área de trabalho também estão protegidas.

- ◆ A utilização adequada é descrita neste manual de instruções.
- ◆ O uso de qualquer acessório ou dispositivo adicional ou o desempenho de qualquer operação com esta ferramenta, que não seja o recomendado neste manual de instruções pode constituir um risco em termos de ferimentos e/ou danos materiais.

Segurança de outras pessoas

- ◆ Este aparelho não deve ser utilizado por pessoas (incluindo crianças) que apresentem capacidades físicas, sensoriais ou mentais reduzidas ou que não possuam os conhecimentos e a experiência necessários, excepto se forem vigiadas e instruídas acerca da utilização do aparelho por uma pessoa responsável pela sua segurança.
- ◆ As crianças devem ser vigiadas para que não mexam no equipamento.

Riscos residuais

Quando utilizar a ferramenta, podem ocorrer riscos residuais adicionais que não constam nos avisos de segurança incluídos. Estes riscos podem resultar de má utilização, uso prolongado, etc.

Mesmo após o cumprimento dos regulamentos de segurança relevantes e a implementação de dispositivos de segurança, alguns riscos residuais não podem ser evitados. Estes incluem:

- ◆ Ferimentos causados pelo contacto com peças em rotação/movimento.
- ◆ Ferimentos causados durante a troca de peças, lâminas ou acessórios.
- ◆ Ferimentos causados pela utilização prolongada de uma ferramenta. Quando utilizar uma ferramenta durante períodos prolongados, certifique-se de que faz pausas regularmente.
- ◆ Danos auditivos.
- ◆ Os problemas de saúde causados pela inalação de poeiras resultantes da utilização da ferramenta (exemplo: trabalhos em madeira, especialmente carvalho, faia e MDF).

Vibração

Os valores de emissão de vibração declarada indicados nos dados técnicos e na declaração de conformidade foram medidos de acordo com um método de teste padrão fornecido com a norma EN 62841 e pode ser utilizado para comparar ferramentas.

O valor de emissão de vibração pode ser também utilizado numa avaliação precoce à exposição.

Atenção! O valor de emissão de vibração durante a utilização da ferramenta eléctrica pode ser diferente do valor declarado, dependendo da maneira como a ferramenta é utilizada. O nível de vibração pode aumentar para um valor superior ao indicado.

Quando avaliar a exposição a vibração para determinar as medidas de segurança exigidas pela norma 2002/44/CE para proteger as pessoas que utilizam ferramentas eléctricas com frequência, deve ser efectuada uma estimativa da exposição a vibração, as condições de utilização e a maneira como a ferramenta é utilizada, incluindo a consideração todas as fases do ciclo de funcionamento, por exemplo, o número de vezes que a ferramenta é desligada e quando funciona ao ralento, além do tempo de accionamento.

Etiquetas colocadas na ferramenta

Os seguintes pictogramas, assim como o código de data, estão indicados na ferramenta:



Atenção! Para reduzir o risco de ferimentos, o utilizador deve ler o manual de instruções.



Radiação visível. Não olhe fixamente para a luz.

Instruções de segurança adicionais para baterias e carregadores

Baterias

- ◆ Nunca tente abrir a bateria, seja qual for o motivo.
- ◆ Não exponha a bateria à água.
- ◆ Não as armazene em locais onde a temperatura possa exceder os 40 °C.
- ◆ Carregue apenas a temperaturas ambiente entre 10 °C e 40 °C.
- ◆ Carregue apenas com o carregador fornecido com a ferramenta.
- ◆ Ao eliminar a bateria, siga as instruções indicadas na secção "Protecção do ambiente".



Não tente carregar baterias danificadas.

Carregadores

- ◆ Utilize o carregador STANLEY FATMAX apenas para carregar a bateria na ferramenta respectiva. Outras baterias podem rebentar, provocando ferimentos e danos.
- ◆ Nunca tente carregar baterias não recarregáveis.
- ◆ Substitua os cabos defeituosos imediatamente.
- ◆ Não exponha o carregador à água.
- ◆ Não abra o carregador.
- ◆ Não manipule o interior do carregador.



O carregador deve ser utilizado apenas em espaços interiores.



Leia o manual de instruções antes da utilização.

Segurança eléctrica



O carregador tem um isolamento duplo, pelo que não é necessário um fio de terra. Verifique sempre se a tensão de alimentação corresponde à tensão indicada na placa sinalética. Nunca substitua a unidade do carregador por uma tomada de alimentação normal.

- ◆ Se o cabo de alimentação estiver danificado, deve ser substituído pelo fabricante ou por um centro de assistência autorizado da STANLEY FATMAX para evitar acidentes.

- ◆ Ligue o carregador (12) numa tomada adequada antes de inserir a bateria (1).
- ◆ O indicador luminoso de carga (12a) verde pisca de maneira contínua, o que significa que o processo de carga foi iniciado.
- ◆ A conclusão do processo de carga é indicada pelo indicador luminoso de carga verde (12a), que permanece ligado de maneira contínua. A bateria (1) é totalmente carregada e pode ser removida nesta altura ou pode deixá-la no carregador (12).
- ◆ As baterias descarregadas devem ser carregadas no espaço de 1 semana. A vida útil de uma bateria diminuirá muito se for guardada descarregada.

Características

Esta ferramenta inclui algumas ou todas as características seguintes.

1. Bateria
2. Patilha de libertação da bateria
3. Pega principal
4. Gatilho de velocidade variável
5. Alavanca de desbloqueio
6. Libertação da lâmina sem ferramenta
7. Lâmina
8. Alavanca de inclinação sem chave
9. Base
10. Cobertura da base
11. Selector de acção orbital

Montagem



Atenção! Antes da montagem, retire a bateria da ferramenta e certifique-se de que a lâmina da serra se encontra imobilizada. As lâminas de serra usadas podem estar quentes.

Carregar a bateria (Fig. A)

A bateria tem de ser carregada antes da primeira utilização e sempre que não conseguir produzir energia suficiente em trabalhos habitualmente feitos sem dificuldade.

A bateria pode aquecer quando carregar; isto é normal e não indica um problema.

Aviso! Não carregue a bateria a temperaturas ambiente inferiores a 10 °C ou superiores a 40 °C. Temperatura de carregamento recomendada: aproximadamente 24 °C.

Nota: O carregador não irá carregar a bateria se a temperatura das células for inferior a 10 °C ou superior a 40 °C.

A bateria não deve ser retirada do carregador para que este comece a carregar automaticamente quando a temperatura das células aquecer ou arrefecer.

Nota: Para assegurar o máximo desempenho e vida útil das baterias de íões de lítio, carregue a bateria totalmente antes de utilizar o produto pela primeira vez.

Modos do LED do carregador

	A carregar: LED verde intermitente	
	Totalmente carregada: LED verde fixo	
	Retardação de calor/frio: LED verde intermitente LED vermelho fixo	

Nota: O(s) carregador(es) compatível(eis) não carrega(m) uma bateria defeituosa. Se a bateria estiver defeituosa, o indicador luminoso do carregador não se acende.

Nota: Isto pode também indicar que se trata de um problema no carregador. Se o carregador indicar uma falha, leve o carregador e a bateria a um centro de assistência autorizado para que sejam submetidos a um teste.

Deixar a bateria no carregador

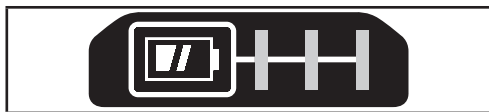
O carregador e a bateria podem permanecer ligados com o LED aceso indefinidamente. O carregador vai manter a bateria completamente carregada.

Retardação de calor/frio

Quando o carregador detecta que uma bateria está demasiado quente ou demasiado fria, inicia de imediato a retardação de calor/frio, o LED verde (12a) começa a piscar de maneira intermitente e o LED vermelho (21b) permanece aceso de maneira contínua, suspendendo o carregamento até a bateria atingir uma temperatura adequada. Em seguida, o carregador muda automaticamente para o modo de carga. Esta função assegura a duração máxima da bateria.

Indicador do estado de carga da bateria (Fig. B)

A bateria inclui um indicador do estado de carga para determinar rapidamente a duração da bateria, como indicado na Figura B. Ao pressionar o botão de estado de carga (1a), pode visualizar facilmente a carga restante na bateria, como indicado na Figura B.



Inserir e retirar a bateria da ferramenta

Atenção! Certifique-se de que o botão de bloqueio está na posição correcta para impedir a activação accidental do interruptor de funcionamento, antes de retirar ou instalar a bateria.

Instalar a bateria (Fig. C)

- ◆ Insira a bateria (1) com firmeza na ferramenta até ouvir um clique, como indicado na Figura C. Certifique-se de que a bateria está totalmente inserida e fixada na respectiva posição.

Retirar a bateria (Fig. C)

- ◆ Pressione a patilha de libertação da bateria (2), como indicado na Figura C e retire a bateria da ferramenta.

Montagem e remoção da lâmina da serra (Fig. D)

- ◆ Segure a lâmina de serra (7) com os dentes virados para a frente.
- ◆ Empurre a alavanca de libertação da lâmina de serra (6) para baixo.
- ◆ Insira totalmente a haste da lâmina no sistema de fixação da lâmina, o máximo possível.
- ◆ Liberte a alavanca.
- ◆ Para retirar a lâmina da serra (7), levante a alavanca de libertação da lâmina (6) para baixo e retire a lâmina.



Atenção! A lâmina pode ficar quente após a utilização.
Ao remover uma lâmina, utilize sempre luvas.

Ligar e desligar (Fig. F)

- ◆ Para ligar, faça deslizar a patilha de desbloqueio (5) para a esquerda e, em seguida, puxe e segure o gatilho de velocidade variável (4).
- ◆ Para desligar, solte o gatilho (4).



Atenção! Não ligue nem desligue a ferramenta sob carga.



Atenção! Faça sempre deslizar a patilha de desbloqueio (5) para a direita, na posição de bloqueado, quando a ferramenta não estiver a ser utilizada.

Controlo de velocidade variável

O interruptor para ligar/desligar, de velocidade variável, oferece diversas opções de velocidades para níveis de corte optimizados em vários materiais.

- A velocidade é determinada pela pressão exercida no gatilho (4).

Cobertura da base anti-riscos removível (Fig. E)

A cobertura da base anti-riscos (10) deve ser utilizada para o corte fácil de superfícies de corte que se riscam facilmente, tais como laminado, verniz ou tinta.

Para montar a cobertura da base contra riscos (10), coloque a parte da frente da base de alumínio (9) na parte da frente da cobertura da base anti-riscos e baixe a serra de vaivém. A cobertura da base contra riscos irá encaixar com firmeza na parte de trás da base de alumínio.

Para retirar a cobertura da base anti-riscos, agarre na cobertura da base anti-riscos pela parte inferior; segure pelas duas patilhas traseiras e retire a cobertura da base anti-riscos.

Posição correcta das mãos (Fig. F)

Atenção! Para reduzir o risco de ferimentos graves, utilize SEMPRE a ferramenta com as suas mãos na posição correcta, como indicado.

Atenção! Para reduzir o risco de ferimentos graves, segure SEMPRE a ferramenta com segurança, antecipando uma reacção súbita por parte da mesma.

A posição correcta das mãos requer a colocação de uma mão na pega principal (3).

Inclinar a base (Fig. G)

- ◆ Para desbloquear a base, puxe a alavanca de inclinação sem chave (8) para o lado.
- ◆ Para bloquear a base, empurre a alavanca de inclinação sem chave (8) debaixo do corpo da serra de vaivém.

Inclinar a base

- ◆ Desbloqueie a base.
- ◆ Deslize a base (9) para a frente para libertá-la da posição de paragem positiva de 0°.
- ◆ A base pode ser inclinada para a esquerda ou direita e tem mecanismos de paragem a um ângulo de 0°, 22,5° e 45°. A base pode ser parada manualmente em qualquer grau entre 0° e 45°.
- ◆ Quando atingir o ângulo em bisel pretendido, bloqueie a base no respectivo local.

Para repor a base para 0°

- ◆ Desbloqueie a base.
- ◆ Rode a base de novo para 0°.
- ◆ Deslize a base de novo para a posição de paragem positiva de 0°.
- ◆ Bloqueie a base.

Corte (Fig. H)

Atenção! Utilize sempre protecção ocular. Todos os utilizadores e outras pessoas à distância devem utilizar protecção ocular.

Atenção! Tenha muito cuidado ao efectuar cortes na direcção do operador. Segure sempre a serra com firmeza durante as operações de corte.

A lâmina deve ficar saliente para além da base articulada e da espessura da peça durante o corte. Escolha a lâmina mais adequada ao material que pretende cortar e utilize a lâmina mais pequena para a espessura do material.

Ação de corte

Orbital ou a direito (Fig. I)

Aviso! Certifique-se de que a ferramenta não está ligada antes de ligá-la à corrente eléctrica. Se o gatilho estiver ligado quando a ferramenta for ligada à corrente eléctrica, esta começa a funcionar de imediato. Pode causar ferimentos ou danificar a ferramenta. A serra de vaivém está equipada com quatro acções de corte, três orbitais e uma a direito. 1 A acção orbital tem um movimento de lâmina mais agressivo e foi concebida para o corte de materiais macios, como madeira ou plástico. 2 A acção orbital é adequada para pedaços de madeira grossa. 3 A acção orbital permite um corte mais rápido, mas através de um corte menos suave ao longo do material. No modo de acção orbital, a lâmina avança durante o curso de corte, além do movimento para cima e para baixo.

Nota: Os metais ou madeiras duras nunca devem ser cortados no modo de acção orbital.

Para ajustar a acção de corte

- ◆ Mova o selector de acção orbital (11) entre as quatro posições de corte: 0, 1, 2 e 3. A posição 0 é para corte a direito. As posições 1 2 e 3 são para corte orbital. A força do corte aumenta à medida que o selector de acção orbital é ajustado de um para três, em que três é o corte mais agressivo.

Sugestões para uma utilização ideal

Sugestões para serrar laminados

- ◆ Uma vez que a lâmina de serra possui um curso de corte ascendente, poderão surgir lascas na superfície junto do arrasto.
- ◆ Utilize uma lâmina de serra com dentes em bom estado.
- ◆ Serre a partir da superfície de fundo da peça.
- ◆ Para minimizar a ocorrência de lascas, coloque pedaços de madeira ou painel duro em ambos os lados da peça e serre no meio deste painel compósito.

Sugestões para serrar metal

- ◆ Tenha em atenção que a serração de metal demora muito mais tempo do que a serração de madeira.
- ◆ Utilize uma lâmina de serra adequada para a serração de metal.
- ◆ Ao cortar metal fino, coloque fragmentos de madeira na superfície de fundo da peça e corte no meio deste painel compósito.
- ◆ Para um funcionamento mais fácil e uma vida útil mais prolongada da lâmina, espalhe uma camada fina de óleo ao longo da linha de corte pretendida. Para cortar alumínio, é preferível utilizar querosene.

Corte ligeiro (Fig. J, K)

Um corte ligeiro é uma maneira fácil de fazer um corte interno. A serra pode ser inserida directamente num painel ou tábua sem ter de fazer primeiro um furo inicial ou piloto. Para fazer um corte ligeiro, meça a superfície a cortar e assinale-a claramente com um lápis.

Em seguida, incline a serra para a frente até a extremidade dianteira da base de apoio ficar assente com firmeza sobre a superfície de trabalho e a lâmina cortar a superfície de trabalho com um curso máximo. Ligue a ferramenta e aguarde até atingir a velocidade máxima. Agarre a serra com firmeza e baixe a extremidade traseira da ferramenta até a lâmina atingir a profundidade completa. Segure na base contra a madeira e inicie o corte. Não retire a lâmina enquanto esta estiver em movimento. A lâmina deve parar por completo.

Acessórios

O desempenho da ferramenta depende do acessório utilizado. Os acessórios da STANLEY FATMAX são concebidos segundo normas de elevada qualidade e desenvolvidos de modo a melhorar o desempenho da sua ferramenta. Ao utilizar estes acessórios, vai tirar o máximo proveito da sua ferramenta. Esta ferramenta é adequada para lâminas de serra de haste em U e em T.

Manutenção

A ferramenta STANLEY FATMAX foi concebida para funcionar durante um longo período de tempo com uma manutenção mínima. Uma utilização continuamente satisfatória depende de uma manutenção adequada da ferramenta e de uma limpeza frequente.

O carregador não requer manutenção, além do processo de limpeza normal.



Atenção! Antes de ser realizada qualquer operação de manutenção na ferramenta, remova a bateria da ferramenta. Desligue o carregador antes de limpá-lo.

- Limpe regularmente as aberturas de ventilação do ferramenta e do carregador com uma escova suave ou um pano seco.
- Limpe regularmente o compartimento do motor com um pano húmido. Não utilize produtos de limpeza abrasivos ou à base de solventes.

Proteger o meio ambiente



Faça uma recolha de lixo selectiva. Os produtos e baterias assinalados com este símbolo não devem ser eliminados em conjunto com resíduos domésticos normais.

Os produtos e baterias contêm materiais que podem ser recuperados ou reciclados, reduzindo a necessidade de matérias-primas.

Recicle os produtos eléctricos e as baterias de acordo com as disposições locais. Estão disponíveis mais informações em www.2helpU.com

Dados técnicos

SFMC650 (H1)			
Tensão	V_{cc}		18
Velocidade sem carga	min^{-1}	0 - 3200	
Comprimento do curso	mm		25,4
Profundidade máxima de corte			
Madeira	mm		85
Aço	mm		10
Alumínio	mm		25
Peso	kg		1,93

Carregador		SFMCB11	SFMCB12	SFMCB14
Tensão de entrada	V_{ca}	230	230	230
Tensão de saída	V_{cc}	18	18	18
Corrente	A	1,25	2	4

Bateria		SFMCB201	SFMCB202	SFMCB204	SFMCB206
Tensão	V_{cc}	18	18	18	18
Capacidade	Ah	1,5	2,0	4,0	6,0
Tipo		lões de lítio	lões de lítio	lões de lítio	lões de lítio

Nível de pressão sonora de acordo com a norma EN62841: L_{pa} (pressão sonora): 84 dB(A), variabilidade (K): 5 dB(A)
L_{WA} (potência sonora): 95 dB(A), variabilidade (K): 5 dB(A)
Valores totais de vibração (soma vectores triax) de acordo com a norma EN62841:
Cortar tábuas ($a_{h,v}$): 4,5 m/s^2 , variabilidade (K): 1,5 m/s^2
Cortar chapas de metal ($a_{h,v}$): 6,4 m/s^2 , variabilidade (K): 1,5 m/s^2

Declaração de conformidade da CE

DIRECTIVA "MÁQUINAS"



Serra de vaivém SFMC650

A Stanley Fatmax declara que os produtos descritos em "Dados técnicos" estão em conformidade com as seguintes normas:

2006/42/CE, EN62841-1:2015, EN62841-2-11:2016+A1:2020.

Estes produtos estão também em conformidade com a directiva 2014/30/UE e 2011/65/UE.

Para obter mais informações, contacte a Stanley Fatmax através da morada indicada a seguir ou consulte o verso do manual.

O signatário é responsável pela compilação do ficheiro técnico, fazendo esta declaração em nome da Stanley Fatmax.

Patrick Diepenbach

Patrick Diepenbach
Director-Geral, Benelux
Stanley Fatmax,
Egide Walschaertsstraat 14-18
2800 Mechelen, Bélgica
22/07/2022

Garantia

A STANLEY FATMAX confia na qualidade dos seus produtos e oferece aos clientes uma garantia de 12 meses a partir da data de compra.

A garantia é válida nos Estados-membros da União Europeia e nos países-membros da Zona Europeia de Comércio Livre e o Reino Unido.

A garantia é válida nos territórios dos Estados-membros da União Europeia e nos países-membros da Zona Europeia de Comércio Livre.

Para accionar a garantia, esta deve estar em conformidade com os termos e condições da STANLEY FATMAX e terá de apresentar comprovativos de compra ao vendedor ou a um técnico de reparação autorizado.

Os termos e condições da garantia de 1 da STANLEY FATMAX e a localização do agente de reparação autorizado mais próximo pode ser obtido na Internet em www.2helpU.com ou contactando uma filial local da STANLEY FATMAX, cuja morada está indicada neste manual.

Visite o nosso Website www.stanleytools.eu/3 para registar o novo produto da STANLEY FATMAX e estar actualizado relativamente a novos produtos e ofertas especiais.

Avsedd användning

Din STANLEY FATMAX-figursåg SFMCS650 är avsedd för sågning i trä, plast och tunn plåt. Verktyget är avsett för yrkesanvändare och privatkonsumenter.

Säkerhetsinstruktioner

Allmänna säkerhetsvarningar för elverktyg



Varning! Läs alla säkerhetsvarningar, instruktioner, illustrationer och specifikationer som levereras med detta elverktyg.

Underlåtenhet att läsa alla instruktioner som listas här nedan kan resultera i elektrisk stöt, eldsvåda och/eller allvarig personskada.

Spara alla varningar och instruktioner för framtida referens. Termen "elverktyg" i varningarna syftar på ditt eldrivna (sladdanslutna) elverktyg eller batteridrivna (sladdlösa) elverktyg.

1. Säkerhet vid arbetsområdet

- Håll arbetsområdet rent och ordentligt upplyst.**
Belamrade eller mörka områden inbjuder till olyckor.
- Arbeta inte med elverktyg i explosiv atmosfär, såsom i närheten av brännbara vätskor, gaser eller damm.** Elektriska verktyg ge upphov till gnistor som kan antända dammet eller ångorna.
- Håll barn och åskådare borta medan du arbetar med ett elverktyg.** Distractioner kan göra att du förlorar kontrollen.

2. Elektrisk säkerhet

- Kontakterna till elverktyget måste matcha uttaget. Modifiera aldrig kontakten på något sätt. Använd inte några adapterkontakter med jordanslutna (jordade) elektriska verktyg.**
Omodifierade kontakter och matchande uttag minskar risken för elektrisk stöt.
- Undvik kroppskontakt med jordanslutna eller jordade ytor såsom rör, värmelement, spisar och kylskåp.** Det finns en ökad risk för elektrisk stöt om din kropp är jordansluten eller jordad.
- Utsätt inte elektriska verktyg för regn eller våta förhållanden.** Vatten som kommer in i ett elverktyg ökar risken för elektrisk stöt.
- Misshandla inte sladden. Använd aldrig sladden till att bära, dra eller koppla bort elverktyget från eluttaget. Håll sladden borta från värme, olja, vassa kanter och rörliga delar.** Skadade eller tilltrasslade sladdar ökar risken för elektrisk stöt.
- När du arbetar med ett elverktyg utomhus, använd en förlängningssladd som passar för utomhusanvändning.** Användning av en sladd som passar för utomhusanvändning minskar risken för elektrisk stöt.

- Om arbete med ett elverktyg i en fuktig lokal är oundvikligt, använd ett uttag som är skyddat med jordfelsbrytare (RCD).** Användning av en RCD minskar risken för elektrisk stöt.

3. Personlig säkerhet

- Var vaksam, ha koll på vad du gör och använd sunt förnuft när du arbetar med ett elverktyg. Använd inte ett elverktyg när du är trött eller påverkad av droger, alkohol eller mediciner.** Ett ögonblicks ouppmärksamhet när du arbetar med elektriska verktyg kan resultera i allvarig personskada.
- Använd personlig skyddsutrustning. Använd alltid skyddsglasögon.** Skyddsutrustning såsom dammfilterskydd, halksäkra säkerhetsskor, skyddshjälm eller hörselskydd som används för lämpliga förhållanden minskar personskador.
- Förebygg oavsiktlig start. Se till att strömbrytaren är i frånläge innan du ansluter till strömkällan och/eller batteripaketet, lyfter upp eller bär verktyget.**
Att bära elektriska verktyg med ditt finger på strömbrytaren eller att strömsätta elektriska verktyg som har strömbrytaren på är att invitera olyckor.
- Avlägsna eventuell justeringsnyckel eller skiftnyckel innan du sätter på elverktyget.** En skiftnyckel eller en nyckel som sitter kvar på en roterande del av elverktyget kan resultera i personskada.
- Sträck dig inte för långt. Ha ordentligt fotfäste och balans hela tiden.** Detta möjliggör bättre kontroll av elverktyget i oväntade situationer.
- Klä dig på lämpligt sätt. Bär inte lösa kläder eller smycken. Håll hår och kläder borta från delar i rörelse.** Lösa kläder, smycken eller långt hår kan fastna i rörliga delar.
- Om det finns anordningar för anslutning av apparater för dammutsugning och uppsamling, se till att dessa är anslutna och används på ett korrekt sätt.** Användning av dammuppsamling kan minska dammrelaterade faror.
- Bli inte vårdslös och ignorera inte säkerhetsprinciperna trots att du är van att använda verktyg.** Vårdslöst handlande kan leda till allvarig kroppsskada på en bråkdel av en sekund.

4. Användning och skötsel av elverktyg

- Tvinga inte elverktyget. Använd det korrekta elverktyget för ditt arbete.**
Det korrekta elverktyget gör arbetet bättre och säkrare vid den hastighet för vilket det konstruerades.
- Använd inte elverktyget om strömbrytaren inte kan slås på eller stängas av.** Ett elverktyg som inte kan kontrolleras med strömbrytaren är farligt och måste repareras.

- c. Dra ur kontakten från strömkällan och/eller ta bort batteripaketet från elverktuget innan du gör några justeringar, byter tillbehör eller verktyg skall förvaras. Sådana förebyggande säkerhetsåtgärder minskar risken att oavsiktligt starta elverktuget.
- d. Förvara elektriska verktyg som inte används utom räckhåll för barn, och låt inte personer som är obekanta med elverktuget eller med dessa instruktioner använda elverktuget. Elektriska verktyg är farliga i händerna på utbildade användare.
- e. Underhåll elverktuget och tillbehör. Kontrollera för feljustering eller om rörliga delar har fastnat, bristning hos delar och andra eventuella förhållanden som kan komma att påverka elverktugets funktion. Om det är skadat, se till att elverktuget blir reparerat före användning. Många olyckor orsakas av dåligt underhållna elektriska verktyg.
- f. Håll kapningsverktyg vassa och rena. Ordentligt underhållna kapningsverktyg med vassa sågkanter är mindre sannolika att fastna och är lättare att kontrollera.
- g. Använd elverktuget, tillbehören och verktygssatserna, etc. i enlighet med dessa instruktioner, och ta hänsyn till arbetsförhållandena och det arbete som ska utföras.

Användningen av elverktuget för andra verksamheter än de som det är avsett för skulle kunna resultera i en farlig situation.

- h. Se till att handtagen och greppytorna är torra och fria från olja och fett. Håll handtag och greppytor förhindrar säker hantering och kontroll av verktyget i oväntade situationer.

5. Användning och skötsel av batteridrivet verktyg

- a. Ladda endast med den laddare som rekommenderas av tillverkaren. En laddare som passar en batterityp kan medföra brandrisk om den används ihop med ett annat batteri.
- b. Använd elverktuget endast med batterier som är speciellt avsedda för ändamålet. Användning av andra batterier kan leda till personskador eller eldsvåda.
- c. När batteriet inte används ska du hålla det åtskilt från metallföremål som gem, mynt, nycklar, spik, skruvar och andra små metallföremål som kan orsaka kortslutning mellan batteriets poler. Kortslutning av batteripolerna kan leda till brännskador eller eldsvåda.
- d. Under olämpliga förhållanden kan vätska sprutas ut från batteriet. Undvik kontakt. Vid oavsiktlig kontakt, spola med vatten.

Om vätskan kommer i kontakt med ögonen, sök också läkarhjälp. Vätska som sprutas ur batteriet kan orsaka sveda och brännskador.

- e. Använd inte ett batteripaket eller ett verktyg som är defekt eller modifierat. Defekta eller modifierade batterier kan fungera oförutsägbart och ge upphov till brand, explosion eller risk för kroppsskador.
- f. Utsätt inte batteripaketet eller verktyget för eld eller höga temperaturer. Utsättning för eld eller temperaturer över 130 °C kan orsaka en explosion.
- g. Följ alla instruktioner gällande laddningen och ladda inte batteripaketet eller verktyget utanför det temperaturintervall som anges i bruksanvisningen. Att ladda på fel sätt eller utanför det angivna temperaturintervallet kan skada batteriet och öka brandrisken.

6. Service

- a. Se till att ditt elverktuget får service av en kvalificerad reparatör, som endast använder identiska ersättningsdelar. Detta säkerställer att elverktugets säkerhet behålls.
- b. Gör aldrig service på skadade batteripaket. Service av batteripaket bör endast genomföras av tillverkaren eller auktoriserade tjänsteleverantörer.

Kompletterande säkerhetsvarningar för elverktuget



Varning! Extra säkerhetsföreskrifter för figursågar och tigersågar

- ◆ Håll elverktuget i de isolerade handtagen när arbeten utförs där sågtillbehöret kan komma i kontakt med dolda strömförande ledningar. Kapitallbehör som kommer i kontakt med en strömförande ledning kan göra att exponerade metalldelar hos elverktuget blir strömförande och kan ge användaren en elektrisk stöt.
- ◆ Använd klämmor eller något annat praktiskt sätt att stödja arbetsstycket vid ett stabilt underlag. Att hålla arbetet för hand eller mot kroppen är instabilt och kan göra att du förlorar kontrollen.
- ◆ Håll händerna borta från skärområdet. Sträck aldrig in händerna under arbetsstycket. Undvik att ha fingrarna i närheten av det pendlande sågbladet och bladklämman. Undvik att stabilisera sågen genom att hålla i sågskon.
- ◆ Håll bladen vassa. Slöa eller skadade sågblad kan orsaka att sågen svingar eller stannar vid belastning. Använd alltid en typ av sågklinga som är lämplig för det material du ska såga i och för hur du ska såga.
- ◆ Vid sågning i rör och andra ledningar ska du se till att de inte innehåller vatten, elledningar etc.
- ◆ Undvik att vidröra arbetsstycket eller sågbladet direkt efter sågning. De kan bli mycket heta.

- ♦ **Var uppmärksam på dolda faror innan du sågar i väggar, golv eller tak; kontrollera om det förekommer rör eller elledningar.**
- ♦ **Sågbladet fortsätter att röra sig en kort stund efter att du har släppt strömbrytaren.** Stäng alltid av verktyget och vänta tills sågbladet har stannat helt innan du lägger ifrån dig det.

Varning! Sågning ger upphov till damm som kan skada den som använder verktyget och andra i närheten vid kontakt eller inandning. Använd en specialkonstruerad ansiktsmask som skyddar mot damm och ångor och se till att personer som vistas inom eller i närheten av arbetsområdet också är skyddade.

- ♦ Avsedd användning beskrivs i denna bruksanvisning.
- ♦ Användning av tillbehör, tillsatser eller utförande av arbete med detta verktyg annat än vad som rekommenderas i denna bruksanvisning kan utgöra en risk för personskador och/eller skador på egendom.

Säkerhet för andra

- ♦ Verktyget ska inte användas av personer (inklusive barn) med nedsatt fysisk eller mental förmåga eller bristande erfarenhet och kunskap om de inte får vägledning och övervakas av en person som ansvarar för deras säkerhet.
- ♦ Barn ska hållas under uppsikt så att de inte leker med apparaten.

Återstående risker

När verktyget används kan återstående risker som inte nämns i de medföljande säkerhetsvarningarna uppstå. Dessa risker kan uppstå på grund av felaktig användning, långvarig användning etc.

Trots att de relevanta säkerhetsbestämmelserna tillämpas och säkerhetsanordningarna används kan vissa återstående risker inte undvikas. Dessa omfattar:

- ♦ Skador orsakade av att roterande/rörliga delar vidrörs.
- ♦ Skador som uppstår vid byte av delar, blad eller tillbehör.
- ♦ Skador som orsakas av långvarig användning av ett verktyg. När du använder ett verktyg under en längre bör du ta regelbundna pauser.
- ♦ Hörselnedsättning.
- ♦ Hälsorisker orsakade av inandning av damm när verktyget används (exempel: arbete med trä, särskilt ek, bok och MDF).

Vibrationer

De deklarerade vibrationsvärdena som anges i de tekniska specifikationerna och i förklaringen om överensstämmelse har mätts i enlighet med standard testmetoden som definieras i EN 62841 och kan användas för att jämföra ett verktyg med ett annat.

De deklarerade vibrationsvärdena kan också användas för en preliminär bedömning av exponering.

Varning! Vibrationsvärdet under faktisk användning av elverktyget kan skilja sig från det deklarerade värdet, beroende på hur verktyget används. Vibrationsnivån kan överstiga den angivna nivån.

Vid bedömningen av vibrationsexponering för att fastställa de säkerhetsåtgärder som enligt 2002/44/EG krävs för att skydda personer som regelbundet använder elverktyg i arbetet, bör man beakta de faktiska användningsförhållandena, hur verktyget används och förutom den tid det är aktiverat, också beakta den tid som verktyget är avstängt och går på tomgång.

Etiketter på verktyget

Följande symboler tillsammans med datumkod finns på verktyget:



Varning! För att minska risken för personskada, måste användaren läsa bruksanvisningen.



Synlig strålning. Titta inte in i ljuset.

Ytterligare säkerhetsinstruktioner för batterier och laddare

Batterier

- ♦ Försök aldrig öppna batteriet.
- ♦ Utsätt inte batteriet för vatten.
- ♦ Förvara inte verktyget på platser där temperaturen kan bli högre än 40 °C.
- ♦ Ladda endast vid temperaturer mellan 10 °C och 40 °C.
- ♦ Ladda endast med hjälp av laddare som medföljer verktyget.
- ♦ Följ instruktionerna som anges i avsnittet "Miljö" när du kastar batterierna.



Försök inte ladda skadade batterier.

Laddare

- ♦ Laddaren från STANLEY FATMAX får bara användas för att ladda batteriet i det verktyg som laddaren levererades med. Andra batterier kan spricka och orsaka personskador och andra skador.
- ♦ Försök aldrig att ladda ej uppladdningsbara batterier.
- ♦ Byt defekta sladdar omgående.
- ♦ Utsätt inte laddaren för vatten.
- ♦ Öppna inte laddaren.
- ♦ Gör ingen åverkan på laddaren.



Adaptorn är endast avsedd för användning inomhus.



Läs bruksanvisningen före användning.

Elektrisk säkerhet



Eftersom laddaren är dubbelisolerad behövs ingen jordledare. Kontrollera alltid att nätspänningen överensstämmer med spänningen på typskylten. Försök aldrig byta ut kontakten till laddaren mot en vanlig kontakt.

- ◆ Om nätsladden är skadad måste den bytas ut av tillverkaren eller ett auktoriserat STANLEY FATMAX-servicecenter för att undvika farliga situationer.

Egenskaper

Detta verktyg har en del av dessa eller alla dessa egenskaper.

1. Batteri
2. Batteriläsknapp
3. Huvudhandtag
4. Variabel hastighetskontroll
5. Startspärr
6. Verktygsfri lossning av klinga
7. Klinga
8. Nyckelfri spak för vinkling
9. Sägfoot
10. Skoskydd
11. Väljare rörelsebana

Montering



Varning! Ta bort batteriet från verktyget och se till att sågbladet har stannat innan montering påbörjas. Använda sågblad kan vara heta.

Ladda batteriet (bild A)

Batteriet måste laddas innan det används för första gången och sedan varje gång som det inte ger tillräckligt hög effekt för arbeten som annars brukar gå bra.

Batteriet kan bli varmt när det laddas. Det är normalt och innebär inte att något är fel.

Varning! Ladda inte batteriet om temperaturen i luften är lägre än 10 °C eller högre än 40 °C. Den rekommenderade laddningstemperaturen är cirka 24 °C.

Notera: Laddaren laddar inte batteriet om celltemperaturen är lägre än ungefär 10 °C eller högre än 40 °C.

Batteriet får då sitta kvar i laddaren, som kommer att börja laddningen automatiskt när celltemperaturen har stigit eller sjunkit.

Notera: För att garantera maximal prestanda och livslängd för litium-jon batteripaketet bör batteripaketet laddas fullt innan första användning.

- ◆ Koppla in laddaren (12) i lämpligt uttag innan batteripaketet (1) sätts i.

- ◆ Den gröna laddningslampan (12a) kommer att blinka kontinuerligt för att indikera att laddningsprocessen har startat.
- ◆ Det går att se när laddningen är klar genom att den gröna lampan (12a) lyser kontinuerligt. Batteripaketet (1) är fulladdat och kan nu användas eller lämnas i laddaren (12).
- ◆ Urladdade batterier bör laddas inom 1 vecka. Om batterierna inte laddas när de är urladdade försämrar batteritiden avsevärt.

Laddare LED-lägen

	Laddar: Grön blinkande LED-lampa	
	Fulladdad: Grön LED fast sken	
	Varm/kall fördröjning: Grön blinkande LED-lampa Röd LED fast sken	

Notera: Den/de kompatibla laddar(en/na) kommer inte att ladda ett felaktigt batteri. Laddaren kommer att indikera ett felaktigt batteripaket genom att vägra lysa.

Notera: Detta kan också betyda att det är problem med en laddare. Om laddaren indikerar ett problem, låt testa laddaren och batteripaketet hos ett auktoriserat servicecenter.

Lämna batteriet i laddaren

Batteriet kan sitta kvar i laddaren och laddaren kan vara ansluten till vägguttaget hur länge som helst när indikatorn lyser. Laddaren ser till att batteriet hålls fräscht och fulladdat.

Varm/kall fördröjning

När laddaren upptäcker ett batteri som är för varmt eller för kallt startar den automatiskt en varm/kall paketfördröjning, den gröna LED (12a) blinkar kontinuerligt medan den röda LED (12b) fortsätter att lysa kontinuerligt, laddningen skjuts upp tills batteriet har nått en lämplig temperatur. Laddaren växlar sedan automatiskt till paketladdningsläge. Denna funktion garanterar maximal batterilivslängd.

Batteristatus med laddningsindikator (bild B)

Batteriet har en laddningsstatusindikator för att snabbt kunna avgöra kvarvarande batterilivslängd såsom visas i bild B. Genom att trycka på knappen för laddningsstatus (1a) kan du enkelt se kvarvarande laddning i batteriet såsom visas i bild B.



Montering och borttagning av batteripaketet från verktyget

Varning! Innan du sätter i eller tar ut batterierna ska du kontrollera att låsreglaget är i låst läge, så att du inte råkar sätta på verktyget av misstag.

Installera batteripaketet (bild C)

- ◆ Sätt i batteripaketet (1) i verktyget tills ett hörbart klick hörs, som visas på bild C. Se till att batteripaketet er helt isatt och låst på plats.

Ta bort batteripaketet (bild C)

- ◆ Tryck på batterilåsknappen (2) såsom visas i bild C och dra ut batteripaketet från verktyget.

Montera och ta bort sågbladet (bild D)

- ◆ Håll sågbladet (7) med tänderna framåt.
- ◆ Tryck frigöringsspaken för sågbladet (6) nedåt.
- ◆ Tryck in bladets skaft så långt som möjligt i bladklämman.
- ◆ Släpp spaken.
- ◆ Ta bort sågbladet (7) genom att trycka ner låsspaken för sågbladet (6) och dra ut bladet.



Varning! Sågbladet kan bli varmt under användning.

Bär alltid handskar när du tar bort sågblad.

Slå på och stänga av (bild F)

- ◆ Starta verktyget genom att föra låsreglaget (5) åt vänster och sedan dra och hålla kvar strömbrytaren för variabel hastighet (4).
- ◆ Stäng av genom att släppa upp strömbrytaren (4).



Varning! Slå inte på eller stäng av verktyget när det belastas.



Varning! För alltid låsknappen (5) åt höger, till låst läge, när verktyget inte används.

Variabel hastighet

Med strömbrytaren med variabel hastighet kan man anpassa hastigheten beroende på vilket material man sågar i och därigenom öka effektiviteten.

- Hastigheten bestäms av hur långt du drar upp strömbrytaren (4).

Löstagbart fotöverdrag mot repor (bild E)

Antirepskoskyddet (10) bör användas vid sågning av ytor som lätt repas, såsom laminat, faner eller färg.

Montera antirepskoskyddet (10) genom att placera fronten på aluminiumskon (9) i fronten på antirepskoskyddet och sänk ned sticksågen. Antirepskoskyddet kommer att klicka fast på baksidan av aluminiumskon.

För att ta bort antirepskoskyddet, ta tag i antirepskoskyddet underifrån, håll på de två bakre flikarna och ta bort antirepskoskyddet.

Korrekt handplacering (bild F)

Varning! För att minska risken för allvarig personskada, använd ALLTID korrekt handställning, så som visas.

Varning! För att minska risken för allvarig personskada, håll ALLTID verktyget säkert, för att förekomma en plötslig reaktion.

Korrekt handplacering kräver en hand på huvudhandtaget (3).

Fasinställning av skon (bild G)

- ◆ Lås upp skon genom att dra spaken för vinkling av skon (8) åt sidan.
- ◆ För att låsa skon, drag den nyckelfria fassågningsspaken (8) bakåt under sticksågens stomme.

Att vinkla skon

- ◆ Lås upp skon.
- ◆ Skjut skon (9) framåt för att lossa den från den 0° positiva stoppositionen.
- ◆ Skon kan vinklas åt vänster eller åt höger och har spärrar vid 0°, 22,5° och 45°. Skon kan manuellt stoppas i önskad vinkel mellan 0° och 45°.
- ◆ När önskad vinkel är inställd, lås skon på plats.

Att återställa skon till 0°

- ◆ Lås upp skon.
- ◆ Vrid tillbaka skon till 0°.
- ◆ Skjut tillbaka skon till 0° positiva stoppositionen.
- ◆ Lås skon.

Sågning (bild H)

Varning! Använd alltid ögonskydd. Alla användare och åskådare måste använda ögonskydd.

Varning! Var speciellt försiktig när du sågar mot dig själv. Håll alltid verktyget stadigt när du sågar.

Se till att bladet sticker ut utanför skon och arbetsstyckets tjocklek under sågningen. Välj det blad som passar bäst för materialet som ska skäras och använd det kortaste bladet som passar materialets tjocklek.

Sågning

Bågformad eller rak (bild I)

Varning! Kontrollera att verktyget inte är i låst läge innan du ansluter det till elnätet. Om strömbrytaren är låst i läge PÅ när verktyget ansluts till elnätet startar det omedelbart. Det kan orsaka skada på verktyget eller personskada. Denna sticksåg är utrustad med fyra sågfunktioner, tre bågformade och en rak. 1 Bågformad sågning har en mer aggressiv bladrörelse och är avsedd för sågning i mjuka material såsom trä eller plast. 2 Bågformad sågning är lämplig för tjocka trästycken. 3 Bågformad sågning ger en snabbare sågning men med ett mindre jämt spår över materialet. Vid bågformad rörelse rörs sig bladet framåt under sågningen förutom rörelsen upp och ned.

Notera: Metall och hårt trä skall aldrig sågas med bågformad sågning.

Justera sågningen

- Flytta väljaren för rörelsebana (11) mellan de fyra såglägena: 0, 1, 2 och 3. Position 0 är rak sågning. Positionerna 1, 2 och 3 är bågformad sågning. Aggressiviteten hos sågningen ökar när spaken ändras från ett till tre, där tre är den mest aggressiva sågningen.

Tips för optimal användning

Tips för sågning av laminat

- Eftersom sågbladet skär på vägen upp kan ytan närmast skyddsplåten flisas.
- Använd ett fintandat sågblad.
- Vända arbetsmaterialets undersida uppåt när du sågar.
- Minska risken för flisor genom att tvinga fast en överbliven träbit eller hård träfiberskiva på båda sidor av arbetsmaterialet och såga genom alltihop som en dubbelsmörgås.

Tips för sågning av metall

- Tänk på att det tar mycket längre tid att såga i metall än i trä.
- Välj ett sågblad som lämpar sig för metallsågning.
- Vid sågning av tunn metallplåt, kläm fast en överbliven träbit på arbetsmaterialets undersida och såga genom båda lagren.
- Applicera en oljefilm längs såglinjen för att underlätta sågningen och förlänga bladets livslängd. Vid kapning av aluminium är fotogen att rekommendera.

Instickssågning (bild J, K)

En instickssågning är en enkel metod att göra en inre sågning. Sågen kan införas direkt i en panel eller skiva utan att först borra en ränna eller ett styrrhål. Vid instickssågning, mät ytan som skall sågas och markera tydligt med en penna.

Därefter lutas sågen framåt tills den främre kanten av skon vilar fast mot arbetsytan och bladet inte vidrör arbetsytan vid full slaghastighet. Slå på verktyget och låt det nå full hastighet. Ta ett fast tag i sågen och sänk bakkanten på verktyget långsamt tills bladet når dess fullständiga djup. Håll skon plant mot träet och börja såga. Ta inte bort bladet från sågskären medan den är i rörelse. Bladet måste stanna fullständigt.

Tillbehör

Vilka resultat du får med verktyget beror på vilka tillbehör du använder. Tillbehör från STANLEY FATMAX håller hög kvalitet och är konstruerade för att fungera optimalt med verktyget. Med dessa tillbehör får du ut mesta möjliga av verktyget. Sågblad med både U-skaft och T-skaft kan användas med detta verktyg.

Underhåll

Ditt STANLEY FATMAX-verktyg har tillverkats för att fungera under lång tid med ett minimum av underhåll. Med rätt underhåll och regelbunden rengöring behåller verktyget sin prestanda. Din laddare kräver ingen annan service än regelbunden rengöring.



Warning! Ta ut batteriet ur verktyget innan du utför något underhåll på verktyget. Dra ur sladden till laddaren innan du rengör den.

- Rengör regelbundet verktygets luftintag och laddaren med en mjuk borste eller torr trasa.
- Rengör motor kåpan regelbundet med en fuktig trasa. Använd inga slipande eller lösningsmedelhaltiga rengöringsmedel.

Att skydda miljön



Separat insamling. Produkter och batterier som är markerade med denna symbol får inte kastas in de vanliga hushållssoptorna.

Produkterna och batterierna innehåller material som kan återvinnas eller återanvändas, vilket sänker behovet av råmaterial.

Återvinn elektriska produkter och batterier enligt lokala bestämmelser. Närmare information finns tillgänglig på www.2helpU.com

Tekniska specifikationer

SFMCS650 (H1)		
Spänning	V_{DC}	18
Varvtal obelastad	min^{-1}	0 - 3200
Slaglängd	mm	25,4
Maximalt sågningsdjup		
Trä	mm	85
Stål	mm	10
Aluminium	mm	25
Vikt	kg	1,93

Laddare		SFMCB11	SFMCB12	SFMCB14
Inspänning	V_{AC}	230	230	230
Utspänning	V_{DC}	18	18	18
Strömstyrka	A	1,25	2	4

Batteri		SFMCB201	SFMCB202	SFMCB204	SFMCB206
Spänning	V_{DC}	18	18	18	18
Kapacitet	Ah	1,5	2,0	4,0	6,0
Typ		Litiumjon	Litiumjon	Litiumjon	Litiumjon

Ljudtrycksnivå enligt EN62841: L_{WA} (ljudnivå) 84 dB(A), osäkerhet (K) 5 dB(A)	
L_{WA} (ljudeffekt) 95 dB(A), osäkerhet (K) 5 dB(A)	
Totala vibrationsvärden (vektorsumman av tre axlar) fastställda enligt EN62841:	
Skivsågning ($a_{h,eq}$) 4,5 m/s ² , osäkerhet (K) 1,5 m/s ²	
Plåtsågning ($a_{h,eq}$) 6,4 m/s ² , osäkerhet (K) 1,5 m/s ²	

EG-försäkrän om överensstämmelse MASKINDIREKTIVET



SFMC650 sticksåg

Stanley Fatmax garanterar att produkterna som beskrivs under "Tekniska data" uppfyller: 2006/42/EG, EN62841-1:2015, EN62841-2:11:2016+A1:2020.

Dessa produkter uppfyller också direktiv 2014/30/EU och 2011/65/EU. Mer information får du genom att kontakta Stanley Fatmax på följande adress eller se baksidan på bruksanvisningen.

Undertecknad är ansvarig för sammanställning av den tekniska filen och gör denna förklaring som ombud för Stanley Fatmax.

Patrick Diepenbach

Patrick Diepenbach
General Manager, Benelux
Stanley Fatmax,
Egide Walschaertsstraat 14-18
2800 Mechelen, Belgien
22/07/2022

Garanti

STANLEY FATMAX är övertygad om kvaliteten hos denna produkt och erbjuder kunder en 12 månaders garanti från inköpsdatumet.

Denna garanti är ett tillägg till dina lagstadgade rättigheter och påverkar inte dessa på något sätt. Garantin är giltig områden som tillhör medlemsstaterna i Europeiska unionen och det europeiska frihandelsområdet och Storbritannien.

För yrkande under garantin måste yrkandet vara i enlighet med STANLEY FATMAX villkor och du kommer att behöva skicka in bevis på köpet till försäljaren eller en auktoriserad reparatör.

Villkoren för STANLEY FATMAX ettåriga garanti och var du hittar din närmaste auktoriserade reparatör kan erhållas på internet på www.2helpU.com, eller genom att kontakta ditt lokala STANLEY FATMAX kontor på adressen som angetts i denna manual.

Besök vår webbplats www.stanleytools.eu/3 för att registrera din nya STANLEY FATMAX produkt samt för att få information om nya produkter och specialerbjudande.

Tiltenkt bruk

STANLEY FAT MAX SFMC650 stikk-sagen er konstruert for saging av treverk, plast og metallplater. Dette verktøyet er tiltenkt både fagarbeidere og private brukere.

Sikkerhetsinstruksjoner

Generelle sikkerhetsadvarsler for elektriske verktøy



Advarsel! Les alle sikkerhetsanvisninger, instruksjoner, illustrasjoner og spesifikasjoner som følger dette elektriske verktøyet.

Manglende overholdelse av instruksjonene som er listet opp under kan resultere i elektrosjokk, brann og/eller alvorlig personskade.

Lagre alle advarsler og instruksjoner for fremtidig bruk.

Uttrykket "elektrisk verktøy" i advarslene henviser til ditt strømdrevne (med ledning) elektriske verktøy eller ditt batteridrevne (uten ledning) elektriske verktøy.

1. Sikkerhet på arbeidsområdet

- Hold arbeidsområdet rent og godt opplyst. Rotete eller mørke områder er en invitasjon til ulykker.
- Ikke bruk verktøy i eksplosive omgivelser, slik som i nærheten av antenner, væsker, gasser eller støv. Elektriske verktøy skaper gnister som kan antenne støv eller gasser.
- Hold barn og tilskuere borte mens du bruker elektriske verktøy. Distraksjoner kan føre til at du mister kontrollen.

2. Elektrisk sikkerhet

- Støpselet til elektriske verktøy må passe til stikkkontakten. Aldri modifier støpselet på noen måte. Ikke bruk adaptere med jordede elektriske verktøy. Umodifiserte støpsler og passende stikkontakter vil redusere risikoen for støt.
- Unngå kroppskontakt med jordete overflater slik som rør, radiatorer, komfyrer og kjøleskap. Det er økt risiko for elektrisk støt dersom kroppen din er jordat.
- Ikke eksponer elektriske verktøy for regn eller våte forhold. Dersom det kommer vann inn i et elektrisk verktøy vil det øke risikoen for elektrisk sjokk.
- Ikke bruk ledningen feil. Aldri bruk ledningen til å bære, trekke eller dra ut støpselet til det elektriske verktøyet. Hold ledningen borte fra varme, olje, skarpe kanter eller bevegelige deler. Skadede eller innviklede ledninger øker risikoen for elektrisk sjokk.
- Når du bruker et elektrisk verktøy utendørs, bruk en skjøteledning som er egnet for utendørs bruk. Bruk av en skjøteledning beregnet for utendørs bruk reduserer risikoen for elektrisk støt.

- f. Dersom bruk av et elektrisk verktøy på et fuktig sted er uunngåelig, bruk en strømkilde med jordfeilbryter (RCD). Bruk av jordfeilbryter (RCD) reduserer risikoen for elektrisk sjokk.
3. **Personlig sikkerhet**
- a. **Hold deg våken, hold øye med det du gjør og bruk sunn fornuft når du bruker et elektrisk verktøy. Ikke bruk et elektrisk verktøy dersom du er trøtt eller er påvirket av medikamenter, narkotika eller alkohol.** Ett øyeblikks uoppmerksomhet under bruk av elektriske verktøy kan føre til alvorlig personskade.
- b. **Bruk personlig verneutstyr. Bruk alltid vernebriller.** Verneutstyr slik som støvmaske, skliskire vernesko, hjelm, eller hørselsvern brukt under passende forhold vil redusere personskader.
- c. **Unngå utilsiktet oppstart. Sikre at bryteren er i av-stillingen før du kobler til strømkilden og/eller batteripakken, plukker opp eller bærer verktøyet.** Å bære elektriske verktøy med fingeren på bryteren eller å sette inn støpselet mens elektriske verktøy har bryteren på øker faren for ulykker.
- d. **Fjern eventuelle justeringsnøkler før du slår på det elektriske verktøyet.** En nøkkel som er festet til en roterende del av det elektriske verktøyet kan føre til personskade.
- e. **Ikke strekk deg for langt. Ha godt fotfeste og stå støtt hele tiden.** Dette fører til at du har bedre kontroll over det elektriske verktøyet ved uventede situasjoner.
- f. **Bruk egnet antrekk. Ikke ha på deg løstsittende klær eller smykker. Hold hår, antrekk og hansker borte fra bevegelige deler.** Løstsittende klær, smykker og langt hår kan bli fanget opp av bevegelige deler.
- g. **Hvis apparatet er utstyrt for tilkobling av støvutsugings- og -oppsamlingsinnretning, må du sørge for at disse er koblet til og ordentlig sikret.** Bruk av støvoppsamlere kan redusere støvrelaterte farer.
- h. **Ikke la kunnskap som du har fått fra hyppig bruk av verktøy la deg bli for selvsikker slik at du ignorerer verktøyets sikkerhetsprinsipper.** En tankeløs handling kan føre til alvorlig personskade på brøkdelen av et sekund.
4. **Bruk og vedlikehold av elektriske verktøy**
- a. **Ikke bruk kraft på verktøyet. Bruk det elektriske verktøyet som situasjonen krever.** Det riktige elektriske verktøyet vil gjøre jobben bedre og tryggere ved den hastigheten det ble konstruert for.
- b. **Ikke bruk verktøyet hvis bryteren ikke kan slå verktøyet av eller på.** Ethvert elektrisk verktøy som ikke kan kontrolleres med bryteren er farlig og må repareres.
- c. **Koble støpselet fra strømkilden og/eller ta av batteripakken fra det elektriske verktøyet, hvis det er avtagbart, før du foretar noen justeringer, endrer tilbehør eller lagrer elektriske verktøy.** Slike preventive sikkerhetsforanstaltninger reduserer risikoen for å starte det elektriske verktøyet ved et uhell.
- d. **Lagre elektriske verktøy som ikke er i bruk, utilgjengelig for barn og la ikke personer som ikke er kjent med det elektriske verktøyet eller disse instruksjonene bruke det.** Elektriske verktøy er farlige i hendene på utrenede brukere.
- e. **Hold verktøy og tilbehør ved like. Kontroller om bevegelige deler er feiljustert eller fastskjært, om deler er ødelagt eller andre forhold som kan påvirke driften av verktøyet. Dersom det er skadet, få verktøyet reparert før neste bruk.** Mange ulykker forårsakes av dårlig vedlikeholdte verktøy.
- f. **Hold skjæreverktøy skarpe og rene.** Godt vedlikeholdte skjæreverktøy med skarpe skjærekanter setter seg mindre sannsynlig fast og er lettere å kontrollere.
- g. **Bruk verktøyet, tilbehøret og bittene osv. i samsvar med disse instruksjonene og ta i betraktning arbeidsforholdene og det arbeidet som skal utføres.** Bruk av det elektriske verktøyet for oppgaver som er forskjellige fra de som er tiltenkt kan føre til en farlig situasjon.
- h. **Hold håndtak og gripeflater tørre, rene og frie for olje og fett.** Glatte håndtak og gripeområder gir utrygg håndtering og manglende kontroll over verktøyet i uventede situasjoner.
5. **Bruk og stell av batteriverktøy**
- a. **Skal kun lades opp ved hjelp av batteriladeren spesifisert av produsenten.** En lader som passer for en type batteripakke kan føre til risiko for brann dersom den brukes på en annen batteripakke.
- b. **Bruk elektroverktøy bare med spesifikt angitte batteripakker.** Bruk av andre batteripakker kan føre til risiko for personskade og brann.
- c. **Når batteripakken ikke er i bruk, må du oppbevare den atskilt fra andre metallgjenstander som binders, mynter, nøkler, spiker, skruer eller andre små metallgjenstander som kan opprette en forbindelse fra en terminal til en annen.** Kortslutning av batteripolene mot hverandre kan føre til brannskader eller brann.
- d. **Ved feilaktig bruk kan det komme væske ut av batteriet, unngå kontakt med den. Dersom du kommer i kontakt med den, skyll av med vann.**

Dersom du får væsken i øynene, søk legehjelp.

Væske som kommer ut av batteriet kan føre til irritasjon eller brannskader.

- e. **Ikke bruk en batteripakke eller verktøy som er skadet eller modifisert.** Skadede eller modifiserte batterier kan oppføre seg uforutsigbart og føre til brann, eksplosjon eller fare for personskade.
- f. **Ikke utsett en batteripakke eller et verktøy for ild eller for høy temperatur.** Ild eller temperatur over 130 °C kan føre til en eksplosjon.
- g. **Følg alle anvisninger for lading og lad ikke batteripakken eller verktøyet ved temperaturer som avviker fra området spesifisert i bruksanvisningen.** Feilaktig lading eller lading ved temperaturer utenfor det angitte område kan skade batteriet og øker brannfaren.

6. Service

- a. **Få det elektriske verktøyet ditt vedlikeholdt av en kvalifisert reparatør som kun bruker originale reservedeler.**

Dette vil sikre at verktøyet sikkerhet blir ivaretatt.

- b. **Utfør aldri service på skadede batteripakker.** Vedlikehold av batteripakker skal kun utføres av produsenten eller autoriserte serviceverksteder.

Ekstra sikkerhetsadvarsler for elektriske verktøy



Advarsel! Ekstra sikkerhetsinstruksjoner for stikksager og bajonettsager

- ◆ **Hold det elektriske verktøyet kun i isolerte gripeoverflater når du utfører operasjoner hvor skjæreverktøyet kan komme i kontakt med skjulte ledninger.** Kuttutstyr som kommer i kontakt med en strømførende ledning kan føre til at eksponerte metallgeler på elektroverktøyet blir strømførende, og kan gi operatøren støt.
- ◆ **Bruk tvinger eller en annen praktisk måte for å sikre og holde arbeidsstykket på et stabilt underlag.** Å holde arbeidsstykket i hendene eller mot kroppen er ustabil og kan føre til at du mister kontroll.
- ◆ **Hold hendene unna skjærområdet.** Du må aldri gripe under arbeidsstykket av noen som helst årsak. Ikke før fingre eller tommel inn i nærheten av sagbladet som går frem og tilbake, og sagbladfestet. Ikke stabiliser sagen ved å ta tak i foten.
- ◆ **Hold bladene skarpe.** Sløve eller skadede sagblader kan få sagen til å bøye av eller stanse under press. Bruk alltid sagblader som egner seg for arbeidsstykkets materiale og den type saging det er snakk om.
- ◆ **Når du sager rør eller kanaler, må du kontrollere at de er fri for vann, elektriske ledninger etc.**

- ◆ **Ikke berør arbeidsstykket eller sagbladet straks etter at du har brukt verktøyet.** De kan bli svært varme.
- ◆ **Vær oppmerksom på skjulte farer før du sager i vegger, gulv eller tak.** Lokaliser eventuelle kabler og rør.
- ◆ **Sagbladet vil fortsatt være i bevegelse etter at bryteren slippes løs.** Slå alltid verktøyet av og vent til sagbladet stanser helt, før du setter verktøyet ned.

Advarsel! Kontakt med eller inhalering av støv som oppstår ved skjæring, kan være helseskadelig for operatøren og eventuelle tilskuere.

Bruk en støvmaske som er spesielt utformet for å verne mot støv og damp/gass, og pass på at personer som er i eller kommer inn i arbeidsområdet, også er beskyttet.

- ◆ Bruksområdet er beskrevet i denne bruksanvisning.
- ◆ Bruk av ethvert tilbehør eller ekstrautstyr, eller utføring av andre operasjoner med dette verktøy, enn det som er beskrevet i denne bruksanvisningen, kan gi risiko for personskader og materielle skader.

Sikkerhet for andre

- ◆ Dette apparatet er ikke ment for bruk av personer (inkludert barn) med redusert fysiske, sensoriske eller mentale evner, eller mangel på erfaring og kunnskap, med mindre de får tilsyn eller har blitt opplært i bruk av apparatet av en person ansvarlig for deres sikkerhet.
- ◆ Barn må holdes under oppsyn, sørg for at de ikke leker med apparatet.

Restrisikoer

Andre risikoer kan oppstå dersom du bruker verktøyet på en måte som ikke er beskrevet i de angitte sikkerhetsadvarslene. Slik risiko kan oppstå som følge av feil bruk, for lang bruk og annet.

Til tross for at man følger relevante sikkerhetsbestemmelser og bruker sikkerhetsutstyr, er det bestemte restrisikoer som ikke kan unngås. Disse inkluderer:

- ◆ Personskader som skyldes berøring av en roterende/bevegelig del.
- ◆ Personskader som forårsakes av at en del, et blad eller tilbehør endres.
- ◆ Personskader som forårsakes av langvarig bruk av et verktøy. Ved bruk av et verktøy i lengre perioder, pass på å ta regelmessige pauser.
- ◆ Hørselskader.
- ◆ Helsefarer som forårsakes av innånding av støv som dannes når du bruker verktøyet (eksempel: arbeid med tre, spesielt eik, bøk og MDF.)

Vibrasjon

De angitte vibrasjonsverdiene under tekniske data er målt i samsvar med en standard testmetode beskrevet i EN 62841 og kan brukes for å sammenligne et verktøy med et annet. De angitte vibrasjonsverdiene kan også brukes som en foreløpig vurdering av eksponeringen.

Advarsel! De virkelige vibrasjonsverdiene under bruk av elektroverktøyet kan avvike fra de oppgitte verdiene avhengig av hvordan verktøyet brukes. Vibrasjonsnivået kan øke over det angitte nivået.

Ved vurdering av vibrasjonseksposering for bestemmelse av sikkerhetstiltak i henhold til 2002/44/EU for beskyttelse av personer som regelmessig bruker elektroverktøy i jobben, bør et estimat av vibrasjonseksposeringen ta hensyn til bruksforholdene og måten verktøyet brukes på, inkludert en vurdering av alle deler av arbeidsprosessen, så som varighet av bruk og tomgangstid i forhold til tid for virkelig bruk.

Etiketter på verktøyet

Følgende symboler og datokode er vist på verktøyet:



Advarsel! For å redusere skaderisikoen, les bruksanvisningen.



Synlig stråling. Ikke se inn i lyset.

Ytterligere sikkerhetsinstruksjoner for batterier og ladere

Batterier

- ◆ Forsøk aldri å åpne av noen årsak.
- ◆ Ikke utsett batteriet for vann.
- ◆ Oppbevar ikke på steder der temperaturen kan overskride 40 °C.
- ◆ Lad bare ved temperaturer mellom 10 °C og 40 °C.
- ◆ Bruk bare laderen som følger med apparatet.
- ◆ Følg instruksene som finnes i avsnittet "Miljø" når du skal kaste batterier.



Ikke forsøk å lade opp skadede batterier.

Ladere

- ◆ STANLEY FATMAX-laderen skal bare brukes til å lade batteriet i apparatet som laderen kom sammen med. Andre batterier kan sprekke og føre til personskade og materiell skade.
- ◆ Prøv aldri å lade ikke-oppladbare batterier.
- ◆ Skift ut defekte ledninger umiddelbart.
- ◆ Ikke utsett laderen for vann.
- ◆ Ikke åpne laderen.
- ◆ Ikke stikk gjenstander eller fingre ned i laderen.



Laderen er bare beregnet for bruk innendørs.



Les denne håndboken før bruk.

Elektrisk sikkerhet



Denne laderen er dobbeltisolert. Jording er derfor ikke nødvendig. Kontroller alltid at nettspenningen er i overensstemmelse med spenningen på typeskiltet. Prøv aldri å skifte ut laderen med en vanlig nettplugg.

- ◆ Hvis strømledningen blir skadet, må den skiftes av produsenten eller et autorisert STANLEY FATMAX-servicesenter så man unngår fare.

Funksjoner

Dette verktøyet har noen av eller alle av følgende egenskaper.

1. Batteri
2. Batterilåseknapp
3. Hovedhåndtak
4. Avtrekker for variabel hastighet
5. Lås av-knapp
6. Verktøyfritt bladfeste
7. Blad
8. Nøkkelløs vinkelspak
9. Sko
10. Skodeksel
11. Pendelbevegelsevelger

Montering



Advarsel! Før monteringen må du ta ut batteriet av verktøyet og forsikre deg om at sagbladet har stoppet. Brukte sagblad kan være varme.

Lading av batteriet (figur A)

Batteriet må lades før første bruk og hver gang det ikke lenger gir nok strøm til jobber som tidligere lett ble utført. Batteriet kan bli varmt under ladning. Dette er normalt og innebærer ikke feil.

Advarsel! Ikke lad batteriet ved omgivelsestemperaturer under 10 °C eller over 40 °C. Anbefalt ladetemperatur er ca. 24 °C.







Merk: Laderen vil ikke lade et batteri hvis celledemperaturen er under ca. 10 °C eller over 40 °C.

Du bør la batteriet stå i laderen. Laderen begynner å lade automatisk når celledemperaturen blir høyere eller lavere.

Merk: For å sikre maksimum ytelse og levetid på Li-Ion batteripakker, lad batteripakken helt opp før første gangs bruk.

- ◆ Plugg inn laderen (12) i en passende stikkontakt før du setter inn batteripakken (1).
- ◆ Det grønne ladelyset (12a) blinker kontinuerlig som indikasjon på at ladeprosessen er startet.
- ◆ Fullført lading vises ved at det grønne ladelyset (12a) er PÅ kontinuerlig. Batteripakken (1) er da fullt oppladet og kan brukes, eller den kan bli stående i laderen (12).
- ◆ Lad utladete batterier innen 1 uke. Batterienes levetid vil bli mye mindre hvis de oppbevares utladet.

LED-moduser for laderen

	Lading: Blinkende grønn LED	
	Fulladet: Lysende grønn LED	
	Ventetid for varm/kald pakke: Blinkende grønn LED Lysende rød LED	

Merk: Kompatible ladere vil ikke lade en defekt batteripakke. Laderen vil indikere feil ved batteripakken ved at lyset ikke er på.

Merk: Dette kan også tyde på et problem med laderen. Dersom laderen indikerer et problem, ta med lader og batteripakke til et servicesenter for testing.

La batteriet være i laderen

Laderen og batteripakken kan forbli tilkoblet med lysende lampe i ubegrenset tid. Laderen vil holde batteripakken klar og fulladet.

Ventetid for varm/kald pakke

Når laderen oppdager et batteri som er for varmt eller for kaldt, vil den automatisk starte ventetid for varm/kald pakke, og det grønne LED-lyset (12a) vil blinke, mens det røde LED-lyset (12b) vil lyse kontinuerlig og stoppe ladingen inntil batteriet når riktig temperatur. Laderen vil deretter automatisk skifte til lademodus for pakken. Denne funksjonen sikrer maksimal levetid på batteriet.

Batteriets ladeindikator (figur B)

Batteriet er utstyrt med en ladeindikator slik at man raskt kan se batterilevetiden som vist i figur B. Ved å trykke ladeindikatorknappen (1a) kan du enkelt se gjenværende batterilevetid som illustrert i figur B.



Sette inn og ta av batteripakke på verktøyet

Advarsel! Pass på at låseknappen er i bruk for å hindre utilsikket aktivering av bryteren før du tar ut eller setter inn et batteri.

Installere batteripakken (figur C)

- ◆ Sett batteripakken (1) inn i verktøyet til du hører et klikk som vist på figur C. Forsikre deg om at batteripakken sitter helt inne og er låst i posisjon.

Ta ut batteripakken (figur C)

- ◆ Trykk på batterilåseknappen (2) som vist på figur C og trekk batteripakken ut av verktøyet.

Montering og demontering av sagbladet (figur D)

- ◆ Hold sagbladet (7) med taggene vendt fremover.
- ◆ Skyv låsespaken (6) for sagbladet ned.
- ◆ Sett skaftet på bladet helt inn i bladklemmen så langt det går.
- ◆ Slipp spaken.
- ◆ Når du skal ta ut sagbladet (7), skyv ned låsespaken (6) for sagbladet og trekk bladet ut.



Advarsel! Bladet kan bli varmt under bruk. Benytt alltid hansker når du fjerner et blad.

Start og stopp (figur F)

- ◆ For å slå på skyver du låsebryteren (5) til venstre og trekker og holder i avtrekkeren for variabel hastighet (4).
- ◆ Slipp utløserbryteren (4) for å slå av.



Advarsel! Ikke slå verktøyet på eller av mens det er under belastning.



Advarsel! Skyv alltid låsebryteren (5) til høyre, låst posisjon, når verktøyet ikke er i bruk.

Hastighetskontroll

På/av-bryteren for variabel hastighet gir muligheter for å velge hastighet som gir mye større skjærehastighet ved saging i ulike materialer.

- Hastigheten bestemmes av hvor mye du drar i avtrekkeren (4).

Avtagbar anti-ripe skohylse (figur E)

Anti-ripe skodekselet (10) skal brukes når det skjæres i overflater som lett får riper, som laminat, finerplate og maling. For å montere anti-ripe skodekselet (10), plasser fronten av aluminiumsskoen (9) i fronten av anti-ripe skodekselet og slipp stikksagen ned. Anti-ripe skodekselet smekker sikkert på plass bakerst på aluminiumsskoen. For å demontere anti-ripe skodekselet, ta tak i den fra bunnen. Hold de to bakre knastene og ta av anti-ripe skodekselet.

Korrekt plassering av hendene (figur F)

Advarsel! For å redusere faren for alvorlig personskade, skal man ALLTID ha hendene i korrekt posisjon, som vist.

Advarsel! For å redusere faren for alvorlig personskade, skal du ALLTID hold godt fast i tilfelle en kraftig reaksjon. Riktig håndstilling er å ha en hånd på hovedhåndtaket (3).

Skråstilling av skoen (figur G)

- ◆ For å låse opp skoen, trekk den nøkkelfrie skråvinkel-spaken (8) til side.
- ◆ For å låse skoen, trykk den nøkkelfrie skråvinkel-spaken (8) tilbake under stikksagen.

Skråstilling av skoen

- ◆ Lås opp skoen.
- ◆ Skyv skoen (9) fremover for å slippe den fra 0° positiv stopposisjon.

- ◆ Skoen kan skrånstilles til venstre eller høyre og har sperrer på 0°, 22,5° og 45°. Skoen kan manuelt stoppes på en hvilken som helst vinkel mellom 0° og 45°.
- ◆ Når ønsket skrånvinkel er oppnådd lås skoen på plass.

Stille skoen tilbake på 0°

- ◆ Lås opp skoen.
- ◆ Roter skoen tilbake til 0°.
- ◆ Skyv skoen tilbake til 0° positiv stopposisjonen.
- ◆ Lås skoen.

Saging (figur H)

Advarsel! Bruk alltid vernebriller. Alle brukere og tilstedeværende må bruke vernebriller.

Advarsel! Vær ekstra forsiktig ved kutting mot operatøren. Hold alltid verktøyet godt fast når du sager.

Pass på at bladet stikker med forbi skoen og gjennom hele arbeidsstykket under saging. Velg bladet som passer best for materialet som skal sages og bruk så kort som mulig ut fra tykkelsen på materialet.

Saging

Pendlende eller rett (figur I)

Advarsel! Kontroller at verktøyet ikke er låst i på-stilling før du kobler det til en strømkilde. Hvis utløseren er låst i på-stilling når verktøyet blir koblet til strømkilden, starter det straks. Dette kan føre til skade på verktøyet eller personskade.

Denne stikk-sagen er utstyrt med fire skjærefunksjoner, tre pendelbevegelser og en rett. 1 Pendelbevegelsen har en mer aggressiv bladbevegelse og er designet for å skjære i myke materialer som treverk eller plast. 2 Pendelbevegelse passer best for tykt treverk. 3 Pendelbevegelsen skjærer raskere, men med mindre jevnhet på tvers av materialet. Under pendelbevegelse beveger bladet seg fremover under skjæring i tillegg til opp- og ned-bevegelsen.

Merk: Metall og hardved skal aldri skjæres i pendelbevegelse.

Justere sagingen

- ◆ Flytt skjærefunksjonsspaken (11) mellom de fire sageposisjonene: 0, 1, 2 og 3. Posisjon 0 er rett saging. Posisjoner 1, 2 og 3 er saging med pendelbevegelse. Skjærestyrken øker ettersom spaken justeres fra en til tre, og innstilling tre er den sterkeste.

Tips for best bruk

Tips for saging av laminat

- ◆ Ettersom sagbladet skjærer på oppadgående bevegelse, kan det forekomme flising på flaten nærmest fotplaten.
- ◆ Bruk et fintagget sagblad.
- ◆ Sag fra den bakre flaten på arbeidsstykket.
- ◆ For å minimere flising, kan du klemme et stykke kapp eller fiberplate på begge sider av arbeidsstykket og sage gjennom dette.

Tips for saging av metall

- ◆ Vær oppmerksom på at saging i metall tar mye lengre tid enn saging i tre.
- ◆ Bruk et sagblad som egner seg for metallsaging.
- ◆ Når du skjærer tynne metallplater, kan du klemme et stykke kapp mot den bakre flaten på arbeidsstykket og skjære gjennom dette.
- ◆ Legg en tynn film av olje langs skjærelinjen så sagingen blir enklere og bladet varer lenger. Ved saging av aluminium, bruk helst parafin.

Lommesaging (figur J og K)

Lommesaging er en enkel måte å skjære innvendig.

Sagen kan settes direkte inn i et panel eller en plate uten først å måtte bore et styrehull. Ved lommesaging mål overflaten det skal skjæres i og merk tydelig med en blyant.

Deretter vipp sagen forover til fremre kanten av skoen hviler godt på arbeidsflaten og bladet er klar av arbeidsflaten gjennom hele slaget. Skru på verktøyet og la den komme opp i maksimumshastighet. Ta godt grep om sagen og senk den bakre kanten av verktøyet sakte inntil bladet oppnår hele sin dybde. Hold skoen flat mot treverket og begynne å skjære. Fjern ikke bladet fra det utsagede sporet mens den er fortsatt i bevegelse. Bladet må stoppe helt.

Tilbehør

Verktøyets ytelse avhenger av tilbehøret du bruker.

Tilbehør fra STANLEY FATMAX er produsert etter høye kvalitetsstandarder og er konstruert for å bedre verktøyets ytelse. Ved bruk av slikt tilbehør vil du få mest ut av verktøyet. Verktøyet passer for bad både med U-skaft og T-skaft.

Vedlikehold

Ditt STANLEY FATMAX-verktøy er konstruert for å være i drift over lengre tid med et minimum av vedlikehold. For at den skal fungere tilfredsstillende over tid, er det viktig å sørge for riktig stell og regelmessig renhold.

Laderen krever intet annet vedlikehold enn regelmessig rengjøring.



Advarsel! Før du utfører vedlikehold på verktøyet, må du fjerne batteriet fra verktøyet. Fjern laderen fra stikkkontakten før du rengjør den.

- Rengjør ventilasjonsåpningene i verktøyet og laderen jevnlig med en myk børste eller tørr klut.
- Rengjør motorhuset regelmessig med en ren, fuktig klut. Ikke bruk skurende eller løsemiddelbaserte rengjøringsmidler.

Beskyttelse av miljøet



Separat avfallshåndtering. Produkter og batterier som er merket med dette symbolet skal ikke kastes sammen med vanlig husholdningsavfall.

Produkter og batterier inneholder materialer som kan gjenbrukes eller gjenvinnes for å redusere behovet for nye råmaterialer.

Vennligst lever elektrisk utstyr og batterier til gjenbruk i henhold til lokale retningslinjer. Mer informasjon finner du på www.2helpU.com

Tekniske data

SFMCS650 (H1)		
Spennning	V_{ac}	18
Ubelastet hastighet	o/min	0 - 3200
Slaglengde	mm	25,4
Maks dybde av kutt		
Tre	mm	85
Stål	mm	10
Aluminium	mm	25
Vekt	kg	1,93

Lader		SFMCB11	SFMCB12	SFMCB14
Inngangsspenning	V_{ac}	230	230	230
Utgangsspenning	V_{dc}	18	18	18
Strøm	A	1,25	2	4

Batteri		SFMCB201	SFMCB202	SFMCB204	SFMCB206
Spennning	V_{dc}	18	18	18	18
Kapasitet	Ah	1,5	2,0	4,0	6,0
Type		Li-ion	Li-ion	Li-ion	Li-ion

Lydtrykknivå i henhold til EN62841: L_{pa} (lydtrykk) 84 dB(A), usikkerhet (K) 5 dB(A)
L_{pa} (lydeffekt) 95 dB(A), usikkerhet (K) 5 dB(A)
Totalverdier vibrasjon (triax vector sum) bestemt iht. EN62841: Saging av plater ($a_{w, g}$) 4,5 m/s ² , usikkerhet (K) 1,5 m/s ²
Saging av metallplater ($a_{w, w}$) 6,4 m/s ² , usikkerhet (K) 1,5 m/s ²

EU-samsvarserklæring MASKINERDIREKTIV



SFMCS650 Stikksag

Stanley Fatmax erklærer at de produktene som er beskrevet under "tekniske data" er i samsvar med:
2006/42/EC, EN62841-1:2015, EN62841-2-11:2016+A1:2020.

Disse produktene er også i samsvar med direktivene 2014/30/EU og 2011/65/EU. For mer informasjon, kontakt Stanley Fatmax på følgende adresse, eller se på baksiden av bruksanvisningen.

Undertegnede er ansvarlig for sammenstillingen av den tekniske filen og fremsetter denne erklæringen på vegne av Stanley Fatmax.

Patrick Diepenbach

Patrick Diepenbach
General Manager, Benelux
Stanley Fatmax,
Egide Walschaertsstraat 14-18
2800 Mechelen, Belgia
22/07/2022

Garanti

STANLEY FATMAX er trygg på kvaliteten av produktene sine og tilbyr forbrukere en 12 måneders garanti fra kjøpsdato. Denne garantien er et tillegg og endrer ikke dine rettigheter i henhold til loven.

Garantien er gyldig innen områdene tilhørende medlemslandene i den Europeiske Union (EU) og det Europeiske Frihandelsområdet (EFTA) og Storbritannia.

For å ta garantien i bruk må kravet være i samsvar med kjøpsbetingelsene fra STANLEY FATMAX og du må vise kjøpskvittering til forhandleren eller til et autorisert serviceverksted.

Betingelsene for STANLEY FATMAX 1 garanti og adressen til din nærmeste autoriserte serviceverksted kan du finne på Internett under www.2helpU.com, eller ved å kontakte ditt lokale STANLEY FATMAX-kontor, adressen er angitt i denne bruksanvisningen.

Besøk våre nettsider på www.stanleytools.eu/3 for å registrere ditt nye STANLEY FATMAX-produkt og for å få informasjon om nye produkter og spesialtilbud.

Tilsigtet anvendelse

Din STANLEY FATMAX SFMCS650 stiksav er designet til at save i træ, plast og metalplader. Dette værktøj er beregnet til erhvervsmæssige brugere og private brugere.

Sikkerhedsinstruktioner

Generelle sikkerhedsadvarsler for elektrisk værktøj



Advarsel! Læs alle sikkerhedsadvarsler, instruktioner, illustrationer og specifikationer, der følger med dette elværktøj. Manglende overholdelse af alle nedenstående instruktioner kan medføre elektrisk stød, brand og/eller alvorlig personskade.

Gem alle advarsler og instruktioner

for fremtidig reference. Termen "elværktøj" i advarslerne refererer til dit netstrømsdrevne elværktøj (ledning) eller batteridrevne (trådløse) elværktøj.

1. Sikkerhed i arbejdsområdet

- Sørg for, at arbejdsområdet er rent og godt oplyst.** Rodede eller mørke områder giver anledning til ulykker.
- Brug ikke elværktøjer i områder med eksplosionsfare som f.eks. nær letantændelige væsker, gasser eller støv.** Elværktøjer danner gnister, der kan antænde støv eller dampe.
- Hold børn og omkringstående på afstand, når der anvendes elektrisk værktøj.** Distractioner kan medføre, at du mister kontrollen.

2. El-sikkerhed

- Stik på elektrisk værktøj skal passe til stikkontakten. Stikket må aldrig modificeres på nogen måde.**
Undlad at bruge adapterstik sammen med (jordforbundet) elektrisk værktøj. Umodificerede stik og dertil passende stikkontakter reducerer risikoen for elektrisk stød.
- Undgå kropskontakt med jordforbundne overflader, såsom rør, radiatorer, komfurer og køleskabe.** Der er øget risiko for elektrisk stød, hvis din krop er jordforbundet.
- Undlad at udsætte elektrisk værktøj for regn eller våde forhold.** Hvis der trænger vand ind i et elektrisk værktøj, øges risikoen for elektrisk stød.
- Udsæt ikke ledning for overlast. Brug aldrig ledningen til at bære, trække værktøjet eller trække det ud af stikkontakten. Hold ledningen borte fra varme, olie, skarpe kanter og bevægelige dele.** Beskadigede eller sammenflettede ledninger øger risikoen for elektrisk stød.

- Når elektrisk værktøj benyttes udendørs, skal der anvendes en forlængerledning, som er egnet til udendørs brug.** Brug af en ledning, der er egnet til udendørs brug, reducerer risikoen for elektrisk stød.
- Hvis det ikke kan undgås at betjene et elektrisk værktøj i et fugtigt område, skal der benyttes en strømforsyning (RCD), der er beskyttet af en fejlstrømsafbryder.** Ved at benytte en fejlstrømsafbryder reduceres risikoen for elektrisk stød.

3. Personssikkerhed

- Vær opmærksom, hold øje med, hvad du laver, og brug det elektriske værktøj fornuftigt.** Betjen ikke værktøjet, hvis du er træt, påvirket af narkotika, alkohol eller medicin. Et øjeblik uopmærksomhed under anvendelse af et elektrisk værktøj kan forårsage alvorlige kvæstelser.
- Anvend personligt beskyttelsesudstyr. Bær altid beskyttelsesbriller.** Sikkerhedsudstyr, såsom støvmaske, skridsikre sikkerhedssko, sikkerhedshjelm eller høreværn, brugt når omstændighederne foreskriver det, reducerer omfanget af personskader.
- Undgå utilsigtet start. Kontrollér, at afbryderkontakten står på slukket, inden værktøjet tilslutes strømkilden og/eller batteriet, samles op eller bæres.**
Når elektrisk værktøj bæres med fingeren på kontakten eller tilslutes, når kontakten er tændt, er der fare for ulykker.
- Fjern eventuelle justerings- eller skruenøgler, før det elektriske værktøj startes.** En skruenøgle eller anden nøgle, der bliver siddende på en roterende del af elektrisk værktøj, kan forårsage kvæstelser.
- Undlad at række for langt. Hold hele tiden en god fodstilling og balance.** Dette gør at du har bedre kontrol over det elektriske værktøj, når uventede situationer opstår.
- Bær hensigtsmæssig påklædning. Bær ikke løst tøj eller smykker.** Hold dit hår og tøj væk fra bevægelige dele. Løstsiddende tøj, smykker eller langt hår kan blive fanget i bevægelige dele.
- Hvis der anvendes støvudsugnings- eller støvopsamlingsudstyr, skal dette tilslutes og anvendes korrekt.** Anvendelse af støvopsamlingsudstyr kan begrænse farer forårsaget af støv.
- Lad ikke erfaringer fra hyppig brug af værktøjer medføre, at du bliver selvtilfreds og ignorerer sikkerhedsprincipperne for værktøjerne.** En skødesløs handling kan forårsage alvorlig skade i en brøkdæl af et sekund.

4. Brug og pleje af elektrisk værktøj

- a. Undlad at bruge magt på elektriske værktøj. Brug det værktøj, der er bedst egnet til det arbejde, der skal udføres.

Værktøjet vil klare opgaven bedre og mere sikkert end den ydelse, som det er beregnet til.

- b. Undlad at benytte værktøjet, hvis kontakten ikke tænder og slukker for det. Alt elektrisk værktøj, der ikke kan kontrolleres med kontakten, er farligt og skal repareres.
- c. Træk stikket ud af stikkontakten og/eller fjern batteripakken, hvis aftagelig fra det elektriske værktøj, før det elektriske værktøj justeres, dets tilbehør udskiftes, eller det stilles til opbevaring. Sådanne forebyggende sikkerhedsforanstaltninger mindsker risikoen for, at værktøjet startes utilsigtet.
- d. Opbevar ubenyttet elværktøj uden for børns rækkevidde. Elværktøjet må ikke bruges af personer, der ikke er fortrolige med det, eller som ikke har gennemlæst disse instruktioner. Elektrisk værktøj er farligt i hænderne på personer, som ikke er instrueret i brugen deraf.
- e. Elektrisk værktøj og tilbehør skal vedligeholdes. Undersøg om bevægelige dele sidder skævt, binder eller er gået itu såvel som andre forhold, der kan påvirke betjeningen af elektriske værktøjer. Hvis det elektriske værktøj er beskadiget, skal det repareres før brug. Mange ulykker er forårsaget af dårligt vedligeholdt værktøj.
- f. Hold skæreværktøjer skarpe og rene. Ordentligt vedligeholdt skæreværktøj med skarpe skærekanter har mindre tilbøjelighed til at binde og er lettere at styre.
- g. Brug elektrisk værktøj, tilbehør, bor, osv. i overensstemmelse med disse instruktioner, idet der tages hensyn til arbejdsforholdene og den opgave, som skal udføres.

Brug af elektrisk værktøj til andre opgaver end dem, det er beregnet til, kan resultere i en farlig situation.

- h. Hold håndtag og gribeblade tørre, rene og fri for olie og fedt. Glatte håndtag og gribeblade giver ikke mulighed for sikker håndtering og styring af værktøjet i uventede situationer.

5. Brug og pleje af batteriværktøj

- a. Genoplad kun værktøjet ved brug af den oplader, der er angivet af producenten. En oplader, der passer til en type batteripakke, kan udgøre en risiko for brand, når den bruges til en anden type.
- b. Brug kun elværktøj sammen med batteripakker, der er specifikt beregnet hertil. Brugen af andre batteripakker kan medføre personskade og brand.

- c. Når batteripakken ikke er i brug, skal den holdes på afstand af andre metalgenstande, f.eks. papirclips, mønter, nøgler, søm, skruer og andre små metalgenstande, som kan skabe forbindelse mellem de to poler. Kortslutning af batteriet kan forårsage forbrændinger eller brand.
- d. Under grove forhold kan væske sive ud fra batteriet; undgå kontakt. Hvis der opstår kontakt ved et uheld, skyl med vand. Hvis væske kommer ind i øjnene, søg omgående lægehjælp. Væske, der siver ud fra batteriet, kan fremkalde irritationer eller forbrændinger.
- e. Anvend ikke en batteripakke eller et værktøj, der er beskadiget eller ændret. Beskadigede eller ændrede batterier kan udvise uforudsigelig adfærd og resultere i brand, eksplosion eller risiko for skader.
- f. Udsæt ikke en batteripakke eller et værktøj for ild eller meget varme temperaturer. Udsættelse for ild eller temperaturer over 130 °C kan medføre en eksplosion.
- g. Følg alle opladningsinstruktionerne og oplad ikke batteripakken eller værktøjet uden for det temperaturområde, der er anført i instruktionerne. Forkert opladning eller opladning ved temperaturer uden for det specificerede område kan beskadige batteriet og øge risikoen for brand.

6. Service

- a. Få altid elværktøjet repareret af kvalificerede fagfolk udelukkende med identiske reservedele. Dette vil sikre, at elværktøjets sikkerhed opretholdes.
- b. Udfør aldrig service på beskadigede batteripakker. Service på batteripakker bør kun udføres af producenten eller autoriserede serviceudbydere.

Ekstra sikkerhedsadvarsler for elektrisk værktøj



Advarsel! Yderligere sikkerhedsadvarsler for stiksave og frem- og tilbagegående save

- ◆ Hold kun fast i det elektriske værktøj på de isolerede håndtagsflader, når der skal saves i emner, hvor skæreværktøjet kan berøre skjulte ledninger. Kommer skæreværktøjet i kontakt med en strømførende ledning, kan blottagte metaldele på el-værktøjet gøres strømførende og give stød til brugeren.
- ◆ Brug klemmer eller en anden praktisk måde på at sikre og understøtte arbejdsområdet til et stabilt underlag. Hvis du holder fast i arbejdsområdet med din hånd eller krop, vil det være ustabil, og det kan medføre, at du mister kontrollen over det.
- ◆ Hold hænderne væk fra skæreområdet. Ræk aldrig ind under materialet uanset årsagen.

Anbring ikke fingrene i nærheden af den frem- og tilbagegående kling og klingeholderen. Stabiliser ikke saven ved at gribe omkring sålen.

- ◆ **Hold klingerne skarpe.** Døve eller beskadigede klinger kan få saven til at slingre eller standse under pres. Brug altid den rigtige type savklinger til materialet og formålet.
- ◆ **Når der saves i rør og rørledninger, er det vigtigt, at de er fri for vand, elektriske ledninger osv.**
- ◆ **Rør ikke ved materialet eller klingens, umiddelbart efter at værktøjet har været i brug.** De kan blive meget varme.
- ◆ **Vær opmærksom på skjulte risici, inden der saves i vægge, gulve eller lofter. Kontroller, om der findes ledninger og rør.**
- ◆ **Klingen fortsætter med at bevæge sig, efter at kontakten er sluppet.** Sluk altid værktøjet, og vent, indtil savklængens bevægelse er helt ophørt, inden du lægger værktøjet fra dig.

Advarsel! Berøring af eller indånding af støvpartikler fra skærearbejder kan udgøre en fare for både brugerens og eventuelle tilskuers helbred. Bær en støvmaske, der er specielt beregnet til beskyttelse mod støv og røg, og sørg for, at personer på eller på vej ind i arbejdsområdet også er beskyttet.

- ◆ Den tilsigtede anvendelse er beskrevet i denne betjeningsvejledning.
- ◆ Hvis der udføres andre opgaver end dem, der anbefales i denne betjeningsvejledning med dette værktøj eller tilbehør eller udstyr, kan det medføre risiko for medføre risiko for personskade og/eller beskadigelse af ejendom.

Andres sikkerhed

- ◆ Dette værktøj må ikke bruges af personer (herunder børn) med nedsatte fysiske, sensoriske eller mentale evner eller manglende erfaring og viden, medmindre de er under opsyn eller er blevet instrueret i brug af værktøjet af en person, der er ansvarlig for deres sikkerhed.
- ◆ Børn skal holdes under opsyn, så det sikres, at de ikke leger med værktøjet.

Restrisici

Der kan opstå yderligere, tilbageværende risici under brugen af værktøjet, som muligvis ikke behandles i de vedlagte sikkerhedsadvarsler. Disse risici kan opstå som følge af forkert brug, langvarigt brug osv.

På trods af overholdelsen af de relevante sikkerhedsregler og brug af sikkerhedsudstyr kan visse restrisici ikke undgås.

Disse omfatter:

- ◆ Tilskadekomst forårsaget af berøring af roterende/ bevægelige dele.
- ◆ Kvæstelser som følge af udskiftning af dele, blade eller tilbehør.

- ◆ Kvæstelser som følge af langvarig brug af et værktøj. Når du bruger et værktøj i længere perioder, skal du sørge for at holde regelmæssige pauser.
- ◆ Hørenedsættelse.
- ◆ Sundhedsrisici forårsaget af indånding af støv, der genereres ved brug af dit apparat (eksempel: arbejde med træ, især eg, bøg og MDF.)

Vibration

De deklarerede vibrationsemissionsværdier angivet i de tekniske data og i overensstemmelseserklæringen er målt i overensstemmelse med en standard testmetode som angivet i EN 62841, og de kan anvendes til at sammenligne et værktøj med et andet.

Den deklarerede vibrationsemissionsværdi kan også anvendes i en foreløbig vurdering af eksponeringen.

Advarsel! Vibrationsemissionsværdien kan under faktisk brug af elværktøjet afvige fra den angivne værdi afhængigt af de måder, hvorpå værktøjet anvendes. Vibrationsniveauet kan stige til over det angivne niveau.

Ved vurdering af vibrationseksponeringen til at fastlægge de sikkerhedsforanstaltninger, der kræves af 2002/44/EC for at beskytte personer der regelmæssigt benytter elværktøj på arbejde, bør en vurdering af vibrationseksponeringen overvejes, de faktiske anvendelsesbetingelser og den måde, hvorpå værktøjet anvendes, herunder under hensyntagen til alle dele af driftscyklussen som f.eks. de tidspunkter, hvor værktøjet er slukket, og når det kører i tomgang, udover udløbstiden.

Mærkatet på værktøjet

De følgende piktogrammer såvel som datokoden vises på værktøjet:



Advarsel! For at reducere risikoen for personskade bør du læse betjeningsvejledningen.



Synlig stråling. Kig ikke ind i lysstrålen.

Yderligere sikkerhedsvejledninger for batterier og ladere

Batterier

- ◆ Forsøg aldrig at åbne den af en eller anden grund.
- ◆ Batteriet må ikke udsættes for fugt.
- ◆ Opbevar ikke på steder, hvor temperaturen kan overstige 40 °C.
- ◆ Foretag kun opladning ved omgivelsestemperaturer mellem 10 °C og 40°C.
- ◆ Oplad kun ved hjælp af den medfølgende lader.
- ◆ Følg ved bortskaffelse af batterier vejledningen i afsnittet "Miljø".



Forsøg ikke at oplade beskadigede batterier.

Opladere

- ◆ Brug kun din STANLEY FATMAX-lader til at oplade batteriet i det værktøj, som den blev leveret sammen med. Andre batterier kan eksplodere og forårsage personskade og materiel skade.
- ◆ Forsøg aldrig at oplade ikke-genopladelige batterier.
- ◆ Udskift straks defekte ledninger.
- ◆ Laderen må ikke udsættes for fugt.
- ◆ Laderen må ikke åbnes.
- ◆ Undersøg ikke laderen.



Laderen er kun beregnet til indendørs brug.



Læs brugervejledningen, før værktøjet tages i brug.

El-sikkerhed



Opladeren er dobbelt isoleret. Derfor er en jordledning ikke nødvendig. Kontroller altid, at netspændingen svarer til spændingen på typeskiltet. Forsøg aldrig at erstatte opladerenheden med et almindeligt netstik.

- ◆ Hvis netledningen beskadiges, skal den udskiftes af producenten eller et autoriseret STANLEY FATMAX-værksted, så farlige situationer undgås.

Funktioner

Udstyret har nogle eller alle af de efterfølgende funktioner.

1. Batteri
2. Batteriudløserknop
3. Hovedhåndtag
4. Variabel hastighedsudløser
5. Låseknop
6. Værktøjsfri klinge-frigørelse
7. Klinge
8. Nøglefri skråstangsgreb
9. Sål
10. Skodæksel
11. Pendulfunktionsvælger

Samling



Advarsel! Før montering: Tag batteriet ud af værktøjet og kontroller, at savklingen er standset. Brugte savklinger, kan være varme.

Opladning af batteriet (fig. A)

Batteriet skal oplades inden ibrugtagningen, og når det ikke leverer strøm nok til opgaver, der tidligere kunne udføres ubesværet.

Batteriet kan blive varmt under opladningen. Det er normalt og ikke tegn på problemer.

Advarsel! Oplad ikke batteriet ved omgivende temperaturer på under 10 °C eller over 40 °C. Den anbefalede opladningstemperatur er ca. 24 °C.

Bemærk: Opladeren oplader ikke et batteri, hvis dets temperatur er under ca. 10°C eller over 40°C.

Batteriet bør blive siddende i laderen, som automatisk begynder opladningen, når batteriet opvarmes/afkøles.

Bemærk: For at sikre maksimal ydeevne og levetid for li-ion batteripakker skal batteripakken lades helt op, før den anvendes første gang.

- ◆ Indsæt opladeren (12) i en passende udgang, før batteripakken (1) indsættes.
- ◆ Den grønne opladningslampe (12a) vil blinke hele tiden og angive, at opladningsprocessen er startet.
- ◆ Når opladningen er færdig, vil det blive angivet af den grønne opladningslampe (12a), som vil lyse konstant på ON. Batteripakken (1) er fuldt opladet og kan nu anvendes eller kan efterlades i opladeren (12).
- ◆ Afladte batterier bør oplades inden for 1 uge. Batteriets levetid reduceres kraftigt, hvis batteriet opbevares i afladet tilstand.

LED-opladningstilstande

	Oplader: Grøn LED Intermitterende	
	Helt opladet: Grøn LED Fast	
	Varm/kold pakkeforsinkelse: Grøn LED Intermitterende Rød LED Fast	

Bemærk: Kompatible oplader(e) vil ikke oplade en defekt batteripakke. Opladeren vil angive en defekt batteripakke ved at nægte at lyse.

Bemærk: Dette kan også betyde et problem med opladeren. Hvis opladeren angiver et problem, tag opladeren og batteripakken med hen til et autoriseret servicecenter for at blive kontrolleret.

Lad batteriet blive siddende i laderen

Du kan lade batteripakken sidde i laderen med tændt lysdiode, så længe det ønskes. Laderen holder batteripakken klar og fuldt opladet.

Varm/kold pakkeforsinkelse

Når opladeren registrerer et batteri, der er for varmt eller for koldt, starter den automatisk en Varm/kold pakkeforsinkelse, den grønne LED (12a) blinker med mellemrum, mens den røde LED (12b) forbliver konstant tændt, og den venter med opladning, indtil batteriet har nået en passende temperatur. Opladeren skifter derefter automatisk til pakkeopladningsfunktion. Denne funktion sikrer maksimal batterilevetid.

Batteriets ladetilstandsindikator (fig. B)

Batteriet indeholder en ladetilstandsindikator for hurtigt at afgøre batterilevetidens omfang, som vist i figur B. Hvis du trykker på ladetilstandsknappen (1a), kan du nemt se den resterende opladning i batteriet, som illustreret i figur B.



Indsættelse og udtagning af batteripakken fra værktøjet

Advarsel! Sørg for, at låseknappen er aktiveret, for at forhindre utilsigtet aktivering af startknappen inden afmontering eller isætning af et batteri.

Sådan installeres batteripakken (fig. C)

- ◆ Sæt batteripakken (1) helt ind i værktøjet, indtil du hører et klik som vist i figur C. Kontrollér at batteripakken sidder godt fast og er helt låst i position.

Sådan fjernes batteripakken (fig. C)

- ◆ Tryk batteriets udløserknop (2) ned som vist i figur C og træk batteripakken ud af værktøjet.

Montering og afmontering af savklingen (fig. D)

- ◆ Hold savklingen (7), så tænderne vender fremad.
- ◆ Skub låsegrebet til savklinge (6) nedad.
- ◆ Sæt savklingens skaft helt ind i klingeholderen, så langt det kan komme.
- ◆ Udløs grebet.
- ◆ Savklingen (7) fjernes ved at skubbe låsegrebet til savklinge (6) nedad og trække klingen ud.



Advarsel! Klingen kan blive varm efter brug. Bær altid handsker ved afmontering af en klinge.

Tænd og sluk (fig. F)

- ◆ Skub låseknappen (5) mod venstre, og træk og hold derefter startknappen til trinløs hastighedsregulering (4) for at tænde værktøjet.
- ◆ Slip startknappen (4) for at stoppe værktøjet.



Advarsel! Start og stop ikke værktøjet, mens det er under belastning.



Advarsel! Skub altid låseknappen (5) mod højre (låst position), når værktøjet ikke er i brug.

Trinløs hastighedskontrol

Afbyrderknappen til trinløs indstilling af hastigheden gør det muligt at vælge hastighed, så der hurtigere kan savnes igennem forskellige materialer.

- Hastigheden bestemmes af, hvor meget startknappen (4) trækkes.

Udtagelig anti-ridse skodæksel (fig. E)

Anti-ridse skodæksel (10) skal bruges ved skæreoverflader, som let kan rideses, som fx laminat, fernis eller maling. Du fastgør anti-ridse skodækslet (10) ved at anbringe det forreste af aluminiumsskoen (7) foran anti-ridse skodækslet og sænke stivsaven. Anti-ridse skodækslet vil klikke sikkert fast på bagenden af aluminiumsskoen.

Du fjerner anti-ridse skodækslet ved at tage fat i anti-ridse skodækslet nedefra; holde fast ved de to bagerste flige og fjerner anti-ridse skodækslet.

Korrekt håndposition (fig. F)

Advarsel! For at reducere risikoen for alvorlig personskade skal du ALTID anvende den rette håndposition som vist.

Advarsel! For at reducere risikoen for alvorlig personskade skal du ALTID holde godt fast i tilfælde af en pludselig reaktion.

Korrekt håndposition kræver en hånd på hovedhåndtaget (3).

Indstilling af skoen i smig (fig. G)

- ◆ Du låser op for skoen ved at trække smiggrebet (8) uden nøgle til siden.
- ◆ Du låser skoen ved at skubbe smiggrebet uden nøgle (8) tilbage under stiksaven.

Sådan stilles skoen i smig

- ◆ Lås skoen op.
- ◆ Skub skoen (9) fremad for at udløse den fra den 0° positive stopposition.
- ◆ Sålen kan stilles i smig til venstre eller til højre og har stop ved 0°, 22,5° og 45°. Skoen kan stoppes manuelt ved alle grader mellem 0° og 45°.
- ◆ Når den ønskede smigvinkel er opnået, lås skoen på plads.

Sådan indstilles skoen tilbage til 0°

- ◆ Lås skoen op.
- ◆ Drej skoen tilbage til 0°.
- ◆ Skub skoen tilbage i 0° positiv stopposition.
- ◆ Lås skoen.

Savning (fig. H)

Advarsel! Bær altid beskyttelsesbriller. Alle brugere og tilskuere skal bære beskyttelsesbriller.

Advarsel! Vær ekstra forsigtig, når du saver imod dig selv. Hold altid godt fast i skæreværktøjet, mens du skærer. Kniven skal strække sig ud over den drejelige sko og tykkelsen af arbejdsemnet under hele savningen. Vælg den klinge, der passer bedst til det materiale, der skal skæres, og

brug den korteste klinge, der passer til materialets tykkelse.

Skærende funktion

Cirkulært eller lige (fig. I)

Advarsel! Kontroller, at værktøjet ikke er i låst position, før det kobles til en strømforsyning. Hvis udløserkontakten er i låst position, når værktøjet slutes til strømforsyningen, starter det med det samme. Dette kan medføre beskadigelse af værktøjet eller personskade. Denne stiksav har fire savefunktioner, tre cirkelbevægelser og én lige bevægelse. 1 Pendulfunktionen har en mere aggressiv klingebbevægelse og er designet til skæring i bløde materialer som fx træ eller plastik. 2 Pendulfunktionen er velegnet til tykke træstykker. 3 Pendulfunktionen giver et hurtigere snit med et mindre blødt snit gennem materialet. I pendulfunktionen bevæger klingens spids fremad under skæreslaget udover op- og nedbevægelsen. **Bemærk:** Metal eller hårdt træ må aldrig skæres i pendulfunktion.

Sådan indstilles pendulfunktionen

- Flyt grebet til pendulfunktionsvælger (11) mellem de fire skærepositioner: 0, 1, 2 og 3. Position 0 er lige skæring. Positionerne 1, 2 og 3 er pendulskæring. Snittets aggressivitet stiger, når grebet justeres fra en til tre, hvor tre er det mest aggressive snit.

Gode råd mhp. optimal brug

Tips til savning af laminaer

- Når savklingen skærer opad, kan der forekomme splintring på overfladen nærmest sålen.
- Brug en savklinge med fine tænder.
- Skær fra bagsiden af arbejdsmaterialet.
- Klem et stykke spildtræ eller hardboard på begge sider af materialet og sav gennem denne sandwich for at minimere splintringen.

Tips til savning i metal

- Vær opmærksom på, at skæring i metal tager meget længere tid end skæring i træ.
- Brug en savklinge der egner sig til skæring i metal.
- Klem et stykke spildtræ til bagsiden af arbejdsmaterialet og sav gennem denne sandwich, når der skæres i tyndt metal.
- Læg en oliefilm langs den tilsigtede snitlinje for at gøre betjeningen lettere og forlænge klingens levetid. Til skæring af aluminium anbefales der petroleum.

Pullover-savning (fig. J og K)

Et lommensnit er en let metode til at lave et indvendigt snit. Saven kan indsættes direkte i et panel eller en plade uden først at bore et spor eller et pilothul.

Ved lommeskæring mål den overflade, der skal skæres og afmærk tydeligt med en blyant.

Vip derefter saven fremad, indtil skoens forende sidder fast på

arbejdsoverfladen, og klingens skærer gennem arbejdsemnet med fuldt slag. Slå værktøjet til og lad det komme op på maksimal hastighed. Hold godt fast på saven og sænk bagenden på værktøjet langsomt, indtil klingens når den fulde dybde. Hold skoen fladt imod træet og begynd at skære. Fjern ikke klingens fra snittet, mens den stadig er i bevægelse. Klingens skal stoppe helt.

Tilbehør

Værktøjets ydeevne afhænger af det anvendte tilbehør. Tilbehør fra STANLEY FATMAX er fremstillet efter høje kvalitetsstandarder og er designet til at forbedre dit værktøjets ydeevne. Ved at bruge dette tilbehør får du det bedste ud af dit værktøj. Dette værktøj er velegnet til både U-skaft- og T-skaft-savklinger.

Vedligeholdelse

Dit STANLEY FATMAX-værktøj er beregnet til brug gennem lang tid med et minimum af vedligeholdelse. Vedvarende tilfredsstillende funktion er afhængig af, om værktøjet plejes korrekt og rengøres regelmæssigt.

Din oplader kræver ingen vedligeholdelse bortset fra regelmæssig rengøring.



Advarsel! Tag batteriet ud af værktøjet, inden der foretages vedligeholdelse på værktøjet. Træk opladeren ud af stikkontakten, før den rengøres.

- Rens jævnligt værktøjets og laderens ventilationshuller med en blød børste eller en tør klud.
 - Rengør med jævne mellemrum motorhuset med en fugtig klud.
- Der må ikke bruges skuremidler eller opløsningsmidler.

Miljøbeskyttelse



Særskilt bortskaffelse. Produkter og batterier mærket med dette symbol må ikke bortskaffes sammen med normalt husholdningsaffald.

Produkter og batterier indeholder materialer, der kan genindvindes eller genanvendes, hvilket reducerer efterspørgslen efter råvarer.

Genbrug venligst elektriske produkter og batterier i henhold til lokale regulativer. Yderligere informationer findes på www.2helpU.com

Tekniske data

SFMCS650 (H1)		
Spænding	V_{DC}	18
Omdrejningstal ved ingen belastning	min^{-1}	0 - 3200
Slaglængde	mm	25,4
Maks. skæredybde		
Træ	mm	85
Stål	mm	10
Aluminium	mm	25
Vægt	kg	1,93

Oplader		SFMCB11	SFMCB12	SFMCB14
Indgangsspænding	V_{AC}	230	230	230
Udgangsspænding	V_{DC}	18	18	18
Strømstyrke	A	1,25	2	4

Batteri		SFMCB201	SFMCB202	SFMCB204	SFMCB206
Spænding	V_{DC}	18	18	18	18
Kapacitet	Ah	1,5	2,0	4,0	6,0
Type		Li-Ion	Li-Ion	Li-Ion	Li-Ion

Lydtrykniveau i henhold til EN62841: L_{Aeq} (lydtryk) 84 dB(A), usikkerhed (K) 5 dB(A) L_{WA} (lydeffekt) 95 dB(A), usikkerhed (K) 5 dB(A)	
Samlede værdier for vibration (triaksial vektorsum) i henhold til EN62841: Savning i lister ($a_{h,eq}$) 4,5 m/s ² , usikkerhed (K) 1,5 m/s ² Savning i metalplader ($a_{h,eq}$) 6,4 m/s ² , usikkerhed (K) 1,5 m/s ²	

EF-overensstemmelseserklæring

MASKINDIREKTIV



SFMC650 Stiksav

Stanley FatMax erklærer, at produkterne beskrevet under "tekniske data" er i overensstemmelse med: 2006/42/EC, EN62841-1:2015, EN62841-2-11:2016+A1:2020.

Disse produkter er endvidere i overensstemmelse med direktiv2014/30/EU og 2011/65/EU. Kontakt Stanley Fatmax på følgende adresse for yderligere oplysninger eller se bagsiden af vejledningen.

Undertegnede er ansvarlig for udarbejdelsen af den tekniske fil og fremsætter denne erklæring på vegne af Stanley Fatmax.

Patrick Diepenbach

Patrick Diepenbach
General Manager, Benelux
Stanley Fatmax,
Egide Walschaertsstraat 14-18
2800 Mechelen, Belgien
22/07/2022

Garanti

STANLEY FATMAX er sikker på kvaliteten af sine produkter og giver forbrugerne en garanti på 12 måneder fra købsdatoen. Garantien er et tillæg til forbrugers lovæssige rettigheder og påvirker ikke disse. Garantien er gyldig inden for medlemsstaterne af Den Europæiske Union og Det Europæiske Frihandelsområde og Storbritannien. Når du gør krav på garantien, skal kravet være i overensstemmelse med STANLEY FATMAX vilkår og betingelser, og du skal indsende dokumentation for købet til sælgeren eller til en autoriseret reparatør. Vilkår og betingelser for STANLEY FATMAX 1 års garanti og placeringen af dit nærmeste autoriserede serviceværksted kan fås på internettet på www.2helpU.com, eller ved at kontakte dit lokale STANLEY FATMAX kontor på den adresse, der er angivet i denne vejledning. Besøg venligst vores websted www.stanleytools.eu/3 for at registrere dit nye STANLEY FATMAX-produkt og modtage opdateringer om nye produkter og specielle tilbud.

(Alkuperäisten ohjeiden käännös)

SUOMI

Käyttötarkoitus

STANLEY FATMAX SFMC650-pistosaha on suunniteltu puun, muovin ja metallin sahaamiseen. Työkalu on tarkoitettu sekä ammatti että yksityiskäyttöön.

Turvaohjeet

Sähkötyökalun yleiset turvallisuusvaroitukset



Varoitus! Lue kaikki tämän laitteen mukana toimitetut varoitukset, käyttöohjeet ja tekniset tiedot. Jos kaikkia ohjeita ei noudateta, on olemassa sähköiskun, tulipalon ja/tai vakavan henkilövahingon vaara.

Tallenna kaikki varoitukset ja ohjeet myöhempää tarvetta varten. Näissä varoituksissa käytettävä sähkötyökaluilmaus viittaa verkkovirtaan yhdistettävään tai akkukäyttöiseen työkaluun.

1. Työalueen turvallisuus

- Pidä työskentelyalue siistinä ja varmista sen hyvä valaistus.** Onnettomuuksia sattuu herkemmin epäsiistissä tai huonosti valaistussa ympäristössä.
- Älä käytä sähkötyökaluja, jos on olemassa räjähdysvaara esimerkiksi syttyvien nesteiden, kaasujen tai pölyn vuoksi.** Sähkötyökalujen aiheuttamat kipinät voivat sytyttää pölyn tai kaasut.
- Pidä lapset ja sivulliset kaukana käyttäessäsi sähkötyökalua.** Keskittymiskyvyn herpaantuminen voi aiheuttaa hallinnan menettämisen.

2. Sähköturvallisuus

- a. Pistokkeen ja pistorasian on vastattava toisiaan. Älä koskaan tee pistokkeeseen mitään muutoksia. Älä yhdistä maadoitettua sähkötyökalua jatkojohtoon. Sähköiskun vaara vähenee, jos pistokkeisiin ei tehdä muutoksia ja ne yhdistetään vain niille tarkoitettuihin pistorasioihin.
- b. Älä kosketa maadoituksessa käytettäviin pintoihin, kuten putkiin, lämpöpattereihin ja jäähdytyslaitteisiin. Voit saada sähköiskun, jos kehoasi on maadoitettu.
- c. Älä altista sähkötyökaluja sateelle tai kosteudelle. Sähkötyökaluun menevä vesi lisää sähköiskun vaaraa.
- d. Älä vaurioita sähköjohtoa. Älä kanna sähkötyökaluja sähköjohdosta tai vedä pistoketta pistorasiasta sähköjohdon avulla. Pidä sähköjohto kaukana kuumuudesta, öljystä, terävistä reunoista tai liikkuvista osista. Vaurioituneet tai sotkeutuneet johdot lisäävät sähköiskun vaaraa.
- e. Jos käytät sähkötyökalua ulkona, käytä vain ulkokäyttöön tarkoitettua jatkojohtoa. Ulkokäyttöön tarkoitettun sähköjohdon käyttäminen vähentää sähköiskun vaaraa.
- f. Jos sähkötyökalua on käytettävä kosteassa paikassa, käytä vikavirtasuojaa. Tämä vähentää sähköiskun vaaraa.

3. Henkilökohtainen turvallisuus

- a. Käyttäessäsi sähkötyökalua pysy valppaana, keskity työhön ja käytä tervettä järkeä. Älä käytä tätä sähkötyökalua ollessasi väsynyt tai alkoholin, huumeiden tai lääkkeiden vaikutuksen alaisena. Keskeyttämisen herpaantuminen hetkeksikin sähkötyökalua käytettäessä voi aiheuttaa vakavan henkilövahingon.
- b. Käytä henkilösuojausvarusteita. Käytä aina suojalaseja. Hengityssuojaimen, liukumattomien turvajalkineiden, kypärän ja kuulonsuojaimen käyttäminen vähentää henkilövahinkojen vaaraa.
- c. Estä tahaton käynnistäminen. Varmista, että virtakytkin on OFF-asennossa, ennen kuin kytket sähkötyökalun pistorasiaan, yhdistät siihen akun, nostat sähkötyökalun käteesi tai kannat sitä. Sähkötyökalun kantaminen sormi virtakytkimellä lisää onnettomuusvaaraa.
- d. Poista kaikki säätöavaimet tai väännetit ennen sähkötyökalun käynnistämistä. Sähkötyökalun pyöryvään osaan kiinni jäänyt avain voi johtaa loukkaantumiseen.
- e. Älä kurkottele. Huolehdi siitä, että sinulla on koko ajan tukeva jalansija ja hyvä tasapaino. Näin voit hallita sähkötyökalua paremmin odottamattomissa tilanteissa.

- f. Pukeudu oikein. Älä käytä löysiä vaatteita tai koruja. Pidä hiukset ja vaatteet loitolla liikkuvista osista. Löysät vaatteet, korut tai pitkät hiukset voivat tarttua liikkuviin osiin.
 - g. Jos käytettävissä on laitteita pölyn ottamiseksi talteen, käytä niitä. Pölyn ottaminen talteen voi vähentää pölyn aiheuttamia vaaroja.
 - h. Vaikka käyttäisit usein työkaluja ja sinulla olisi niistä hyvä tuntemus, älä jätä lukematta työkalun turvallisuusohjeita. Huolimattomuus voi johtaa vakaviin henkilövahinkoihin jopa sekunnin murto-osassa.
- ## 4. Sähkötyökalusta huolehtiminen
- a. Älä kohdista sähkötyökaluun liikaa voimaa. Valitse käyttötarkoituksen kannalta oikea sähkötyökalu. Sähkötyökalu toimii paremmin ja turvallisemmin, kun sitä käytetään sille suunniteltuun käyttötarkoitukseen.
 - b. Älä käytä sähkötyökalua, jos virtakytkin ei toimi. Jos sähkötyökalua ei voi hallita kytkimen avulla, se on vaarallinen ja se on korjattava.
 - c. Katkaise sähkötyökalusta virta ja/tai irrota sen pistoke pistorasiasta tai irrota akku (jos irrottavissa) siitä ennen säätämistä, varusteiden vaihtamista tai sähkötyökalun asettamista säilytykseen. Näin voit vähentää vahingossa käynnistymisen aiheuttaman henkilövahingon vaaraa.
 - d. Varasto sähkötyökaluja lasten ulottumattomissa. Älä anna sähkötyökaluihin tottumattomien tai näihin ohjeisiin perehtymättömien henkilöiden käyttää sähkötyökaluja. Sähkötyökalut ovat vaarallisia kouluttamattomien käyttäjien käsissä.
 - e. Hoida sähkötyökaluasi ja lisävarusteita huolella. Tarkista liikkuvat osat, niiden kiinnitys, osien eheys ja muut koneen toimintaan vaikuttavat tekijät. Jos havaitset vaurioita, korjauta sähkötyökalu ennen niiden käyttämistä. Huonosti kunnossapidetyt sähkötyökalut aiheuttavat onnettomuuksia.
 - f. Pidä leikkaavat pinnat terävinä ja puhtaina. Kunnossa pidettyjen leikkaavien terävien reunoja sisältävien työkalut todennäköisyys jumiutua vähenee, ja niitä on helpompi hallita.
 - g. Käytä sähkötyökaluja, tarvikkeita, vaihtotyökaluja jne. näiden ohjeiden mukaisesti. Ota tällöin huomioon työolosuhteet ja suoritettava toimenpide. Jos sähkötyökalua käytetään näiden ohjeiden vastaisesti, voi syntyä vaaratilanne.
 - h. Pidä kahvat ja kädensijat kuivina ja puhtaina öljystä ja rasvasta. Liukkaat kahvat ja pinnat heikentävät laitteen hallinnan ja ohjauksen turvallisuutta odottamattomissa tilanteissa.

5. Akkutyökalun käyttö ja huolto

a. Lataa vain valmistajan määrittämällä laturilla.

Laturi, joka on sopiva yhden tyypiselle akulle, voi aiheuttaa tulipalon vaaran, jos sitä käytetään toisen tyyppisellä akulla.

b. Käytä sähkötyökalussa ainoastaan kyseiseen sähkötyökaluun tarkoitettua akkua. Muun tyyppisen akun käyttö saattaa johtaa loukkaantumiseen ja tulipaloon.

c. Pidä irrallinen akku loitolla metalliesineistä, kuten paperiliittimistä, kolikoista, avaimista, nauloista, ruuveista tai muista pienistä metalliesineistä, jotka voivat aiheuttaa oikosulun akun navoissa. Akun napojen oikosulku voi aiheuttaa palovammoja tai tulipalon.

d. Väärin käytetystä akusta voi vuotaa nestettä. Älä kosketa sitä. Jos nesteen kanssa joutuu kosketuksiin, huuhtelee vedellä. Jos nestettä joutuu silmiin, hakeudu lisäksi lääkärin hoitoon. Akusta roiskunut neste saattaa aiheuttaa ärsytystä tai palovammoja.

e. Vaurioitunutta tai muokattua akkua tai laitetta ei saa käyttää. Vaurioituneissa tai muokatuissa akuissa voi esiintyä odottamattomia häiriöitä, jotka voivat aiheuttaa tulipaloja, räjähdysvaaroja tai henkilövahinkoja.

f. Akku ja laite tulee suojata tulelta sekä liian korkealta lämpötilalta. Mikäli akku altistuu tulelle tai yli 130 °C lämpötilalle, seurauksena voi olla räjähdys.

g. Noudata kaikkia latausohjeita, akkua tai laitetta ei saa ladata ohjeissa annettujen lämpötilavälien ulkopuolella. Virheellisen latauksen tai annettujen lämpötilavälien ulkopuolella lataamisen seurauksena akku voi vaurioitua ja tulipalovaara kasvaa.

6. Huolto

a. Rajauta sähkötyökalu valtuutetulla asentajalla. Varaosina on käytettävä vain alkuperäisiä vastaavia osia.

Täten taataan sähkötyökalun turvallisuus

b. Vaurioituneita akkuja ei saa koskaan huoltaa. Ainoastaan valmistaja tai valtuutetut huoltoliikkeet saavat huoltaa akkuja.

Sähkötyökalun lisäturvallisuusvaroitukset



Varoitus! Lisäturvavaroitukset pistosahoille ja puukkosahoille

- ◆ Tartu kiinni koneen eristetyistä tartuntapinnoista, jos leikkausvälinettä käyttäessä on vaara osua piilossa oleviin johtoihin. Terän osuminen jännitteeseen johtoon tekee sen paljaista metalliosista jännitteisiä, joten käyttäjä voi saada sähköiskun.

- ◆ Käytä puristimia tai muuta käytännöllistä tapaa kiinnittää ja tukea työstökappale tukevalle alustalle. Työn pitäminen käsin tai vartaloa vasten on epävakaa ja saattaa johtaa kontrollin menetykseen.
- ◆ Pidä kädet poissa leikkausalueelta. Älä koskaan työnnä kättä työkappaleen alapuolelle. Älä työnnä sormia liikkuvaan terään tai sen kiinnikkeeseen. Älä tue sahaa pitämällä kiinni sahausjalasta.
- ◆ Pidä terät terävinä. Tylsät tai vahingoittuneet terät voivat leikata vinoon tai jäädä kiinni. Käytä työstettävään materiaaliin soveltuvaa sahanterää, jolla saat haluamasi sahausjäljen.
- ◆ Jos sahaat putkea tai kotelointia, tarkista ensin, ettei sen sisällä ole vettä, sähköjohtoa, tms.
- ◆ Älä kosketa terää tai sahattua leikkauspintaa heti sahausksen jälkeen. Ne voivat olla erittäin kuumia.
- ◆ Varo piilossa olevia vaaroja. Tarkista sähköjohtojen ja putkien sijainti, ennen kuin sahaat seinää, lattiaa tai kattoa.
- ◆ Terän liike jatkuu vielä hetken käyttökytkimen vapauttamisen jälkeen. Katkaise virta ja odota, että terän liike on kokonaan pysähtynyt ennen kuin lasket koneen käsitäsi.

Varoitus! Leikatessa syntyvän pölyn kanssa kosketuksiin joutuminen tai sen hengittäminen saattaa olla haitallista käyttäjän tai lähellä olevien henkilöiden terveydelle. Käytä kasvosuojusta, joka on erityisesti tarkoitettu suojaamaan pölyltä ja höyryiltä, ja varmista, että kaikki työskentelyalueella olevat ja sinne tulevat henkilöt käyttävät suojarusteita.

- ◆ Tarkoitettu käyttö on kuvattu tässä käyttöohjeessa.
- ◆ Laitteen tai lisävarusteen käyttö tai toiminnon suoritus muuhun kuin tässä käyttöohjeessa suositeltuun käyttöön tai toimintoon voi tämän työkalun kanssa aiheuttaa henkilövahingon vaaran ja/tai omaisuusvahinkoja.

Muiden henkilöiden turvallisuus

- ◆ Tätä työkalua ei ole tarkoitettu sellaisten henkilöiden käyttöön, joilla on fyysisiä tai älyllisiä rajoitteita tai aistirajoitteita, eikä laitteen toimintaan perehtymättömien henkilöiden käyttöön (lapset mukaan luettuina), paitsi valvonnan alaisina, tai jos he ovat saaneet laitteen käyttöön liittyvää opastusta heidän turvallisuudestaan vastaavalta henkilöltä.
- ◆ Lapsia tulee valvoa ja varmistaa, että he eivät leiki laitteella.

Jännönsriskit

Jännönsriskejä voi esiintyä käyttäessä muita kuin varoituksissa mainittuja työkaluja. Riskit voivat johtua väärinkäytöstä, pitkästä käytöstä jne. Turvamääräysten noudattamisesta ja turvalaitteiden käyttämisestä huolimatta tiettyjä vaaroja ei voida välttää. Näitä ovat:

- ◆ Pyörivien tai liikkuvien osien koskettamisena aiheuttamat vahingot.
- ◆ Osia, teriä tai lisävarusteita vaihdettaessa aiheutuneet vahingot.
- ◆ Työkalun pitkäaikaisen käytön aiheuttamat vahingot. Pidä säännöllisiä taukoja työkalun pitkäaikaisen käytön aikana.
- ◆ Kuulon heikkeneminen.
- ◆ Työkalua käytettäessä (esimerkiksi puuta, erityisesti tammea, pyökkiä ja MDF-levyjä, käsiteltäessä) syntyneen pölyn sisäinhengityksen aiheuttamat terveysriskit.

Tärinä

Teknisissä tiedoissa sekä vaatimustenmukaisuusvakuutuksessa ilmoitetut tärinän päästöarvot on mitattu standardilla testimenetelmällä EN 62841:n mukaisesti ja niitä voidaan käyttää eri työkalujen vertaamiseen. Ilmoitettua tärinän päästöarvoa voidaan käyttää myös alustavassa altistumisen arvioinnissa.

Varoitus! Todellinen tärinän päästöarvo sähkötyökalun käytön aikana voi poiketa ilmoitetusta arvosta työkalun käyttötavasta riippuen. Tärinätaaso voi olla ilmoitettua tasoa suurempi.

Kun tärinälle altistumista arvioidaan direktiivin 2002/44/EY vaatimien turvallisuustoimien määrittämiseksi ja säännöllisesti sähkötyökalua käyttävien käyttäjien suojaamiseksi, tärinän altistumisen arvioinnissa tulee huomioida todelliset käyttöolosuhteet sekä työkalun käyttötapa sekä kaikki käyttöjakson elementit (esim. työkalun sammutusajaj, tyhjäkäyntiajat sekä käynnistymisajat).

Työkalun tarrat

Työkalu sisältää seuraavat kuvakkeet sekä päivämääräkoodin:



Varoitus! Loukkaantumisen riskin vähentämiseksi käyttäjän on luettava tämä käyttöohje.



Näkyvää säteilyä. Älä katso valoon.

Akkua ja laturia koskevat lisäturvaohjeet

Akut

- ◆ Älä koskaan yritä avata mistään syystä.
- ◆ Älä altista akkua vedelle.
- ◆ Älä säilytä paristota tiloissa, joissa lämpötila voi nousta yli 40 °C:een.
- ◆ Lataa akku paikassa, jonka lämpötila on vähintään 10 °C ja enintään 40 °C.
- ◆ Lataa akku ainoastaan työkalun mukana toimitetulla laturilla.
- ◆ Noudata akkuja hävittäessäsi kohdassa "Ympäristönsuojelu" annettuja ohjeita.



Älä koskaan yritä ladata viallisia akkuja.

Laturi

- ◆ Käytä STANLEY FATMAX -laturia vain laitteen mukana toimitetun akun lataamiseen. Muut akut voivat räjähtää ja aiheuttaa henkilövahinkoja tai aineellisia vahinkoja.
- ◆ Älä koskaan yritä ladata akkuja, joita ei ole tarkoitettu ladattaviksi.
- ◆ Vaihda vialliset johdot välittömästi ehiin.
- ◆ Älä altista laturia vedelle.
- ◆ Älä avaa laturia.
- ◆ Älä ylönnä mitään laturin sisään.



Laturi on tarkoitettu ainoastaan sisäkäyttöön.



Lue käyttöohjeet huolellisesti ennen laitteen käyttöä.

Sähköturvallisuus



Laturi on kaksoeristetty, joten erillistä maadoitusta ei tarvita. Tarkista aina, että verkkojännite vastaa arvokilvessä ilmoitettua jännitettä. Älä yritä korvata laturiyksikköä tavallisella verkkopistokkeella.

- ◆ Jos virtajohto vahingoittuu, sen vaihtaminen on turvallisuussyistä jätettävä valmistajan tai valtuutetun STANLEY FATMAX -huollon tehtäväksi.

Ominaisuudet

Tämä kone sisältää kaikki seuraavat ominaisuudet tai joitakin niistä.

1. Akku
2. Akun vapautuspainike
3. Pääkahva
4. Säädetty nopeuskytkin
5. Lukituspainike
6. Työkaluja vaatimaton terän vapautin
7. Terä
8. Avaimeton vinosahasvipu
9. Kenkä
10. Kengän suojus
11. Kiertokytkin

Asennus



Varoitus! Varmista ennen kokoamista, että akku on poistettu työkalusta ja että sahanterä on pysähtynyt. Käytössä olleet sahanterät voivat olla kuumia.

Akun lataaminen (kuva A)

Lataa akku ennen ensimmäistä käyttökertaa ja aina silloin, kun se ei enää tuota riittävästi virtaa toimintoihin, jotka aikaisemmin hoituivat helposti. Akku voi lämmetä ladattaessa. Tämä on normaalia, eikä se ole merkki mistään viasta.

Varoitus! Älä lataa akkua alle 10 °C tai yli 40 °C asteen lämpötilassa. Suositeltava latauslämpötila on 24 °C.

Huomautus: Laturi ei lataa akkua, jos akun kennon lämpötila on alle 10 °C tai yli 40 °C. Akku tulee kuitenkin jättää laturiin. Laturi aloittaa lataamisen automaattisesti, kun kennon lämpötila nousee tai laskee riittävästi.

Huomautus: Jotta varmistat litiumioniakkujen parhaimman mahdollisen suorituskyvyn ja pitkän käyttöiän, akku tulee ladata täyteen ennen ensimmäistä käyttöä.

- ◆ Yhdistä laturi (12) sopivaan pistorasiaan ennen kuin laitat siihen akun (1).
- ◆ Vihreä latauksen merkkivalo (12a) vilkkuu jatkuvasti ilmoittaen, että latausprosessi on alkanut.
- ◆ Kun lataus on valmis, vihreä latauksen valo (12a) jää palamaan jatkuvasti. Akku (1) on täysin ladattu ja se voidaan poistaa, sitä voidaan käyttää heti tai sen voi jättää laturiin (12).
- ◆ Lataa akut viikon kuluessa tyhjentymisestä. Akkujen käyttöikä lyhenee merkittävästi, jos ne jätetään tyhjiksi pitkäksi aikaa.

Laturin LED-tilat

	Lataus käynnissä: Vilkkuva vihreä LED	
	Ladattu täyteen: Pysyvä vihreä LED	
	Akun kuuma-/kylmäviive: Vilkkuva vihreä LED Punainen vihreä LED	

Huomautus: Yhteensopiva(t) laturi(t) ei(eivät) lataa viallista akkua. Laturi ilmoittaa viallisesta akusta, kun se ei syty.

Huomautus: Tämä voi tarkoittaa myös laturivikaa. Jos laturi ilmoittaa ongelmasta, vie laturi ja akku testattavaksi valtuutettuun huoltopalveluun.

Akun jättäminen laturiin

Akkua voidaan jättää laturiin, kun merkkivalo palaa. Laturi pitää akun käyttövalmiina ja ladattuna.

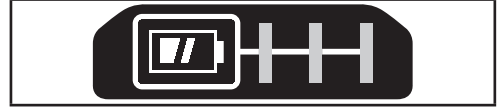
Akun kuuma-/kylmäviive

Kun laturi tunnistaa liian kuuman tai kylmän akun, se käynnistää automaattisesti akun kuuma-/kylmäviiveen, vihreä LED-merkkivalo (12a) vilkkuu ja punainen merkkivalo LED (21b) palaa jatkuvasti, jolloin lataus keskeytyy, kunnes akku on saavuttanut oikean lämpötilan.

Laturi siirtyy tämän jälkeen automaattisesti akun lataustilaan. Tämä toiminto takaa akun maksimaalisen käyttöiän.

Akun varaustilan merkkivalo (kuva B)

Akussa on varaustilan merkkivalo, joka mahdollistaa akun käyttöajan määrittämisen nopeasti kuvan B mukaisesti. Voit tarkistaa akun jäljellä olevan käyttöajan helposti painamalla varaustilan painiketta (1a) kuvan B mukaisesti.



Akun asentaminen ja poistaminen työkalusta

Varoitus! Varmista ennen akun irrottamista tai asentamista, että lukituspainike on lukitussa asennossa virtakytkimen tahattoman käytön estämiseksi.

Akun asentaminen (kuva C)

- ◆ Aseta akku (1) hyvin työkaluun, kunnes kuulet napsahduksen kuvan C mukaisesti. Varmista, että akku on hyvin paikoillaan ja lukittu paikoilleen.

Akun irrotus (kuva C)

- ◆ Paina akun vapautuspainiketta (2) kuvan C mukaisesti ja vedä akku irti työkalusta.

Sahanterän asennus ja poisto (kuva D)

- ◆ Pidä sahanterää (7) hampaat eteenpäin.
- ◆ Paina sahanterän vapautusvipua (6) alaspäin.
- ◆ Työnnä terän varsi kokonaan terän kiinnityslaippaan loppuun saakka.
- ◆ Vapauta vipu.
- ◆ Poista sahanterä (7) painamalla sahanterän vapautusvipua (6) alaspäin ja vetämällä terä ulos.



Varoitus! Terä voi kuumentua käytön jälkeen. Käytä aina suojakäsineitä, kun irrotat terää.

Käynnistys ja pysäytys (kuva F)

- ◆ Käynnistä työkalu liu'uttamalla lukituspainiketta (5) vasemmalle ja vetämällä sitten nopeudensäädön liipaisinkytkintä (4) ja pitämällä sen vedettynä.
- ◆ Sammuta laite vapauttamalla liipaisinkytkin (4).



Varoitus! Älä käynnistä tai pysäytä työkalua sen ollessa kuormittuna.



Varoitus! Työnnä lukituspainike (5) oikealle lukitusasentoon aina, kun työkalu ei ole käytössä.

Nopeudensäätö

Nopeussäätöisen virtakytkimen avulla voit valita nopeuden useista vaihtoehdoista ja siten parantaa merkittävästi eri materiaalien leikkaustulosta.

- Työkälun nopeus määrytyy sen mukaan, miten pitkälle liipaisinkytkintä (4) vedetään ulos.

Irrottava naarmuuntumisen estävä kenkäsuoja (kuva E)

Naarmuuntumisen estävää kenkäsuojaa (10) tulee käyttää helposti naarmuuntuvia pintoja leikatessa, kuten laminaattia, vaneria tai maalia leikatessa.

Kiinnitä naarmuuntumisen estävä kenkäsuoja (10) asettamalla alumiinikengän (7) etuosa naarmuuntumisen estävän kenkäsuojan etuosaan ja laskemalla kuviosaha. Naarmuuntumisen estävä kenkäsuoja napsahtaa paikoilleen alumiinikengän takaosaan.

Poista naarmuuntumisen estävä kenkäsuoja tarttumalla naarmuuntumisen estävään kenkäsuojaan alaosasta, pitämällä sitä kahdesta takakielekkeestä ja poistamalla naarmuuntumisen estävän kenkäsuojan.

Oikeoppinen käsien asento (kuva F)

Varoitus! Voit vähentää vakavan henkilövahingon vaaraa pitämällä kädet AINA oikeassa asennossa.

Varoitus! Voit vähentää vakavan henkilövahingon vaaraa pitelemällä työkalua AINA tiukassa otteessa.

Käsien oikea asento tarkoittaa toisen käden pitämistä pääkahvassa (3).

Kengän viisteytys (kuva G)

- Vapauta kenkä vetämällä avaimeton viistevipu (8) sivuun.
- Lukitse kenkä painamalla avaimeton viistevipu (8) takaisin kuviosahan rungon alapuolelle.

Kengän viisteytys

- Vapauta kenkä.
- Liu'uta kenkää (9) eteenpäin sen vapauttamiseksi 0° positiivisesta pysäytysasennosta.
- Kenkä voidaan viisteyttää vasemmalle tai oikealle ja sen lukituskohdat ovat 0°, 22,5° ja 45°. Kenkä voidaan manuaalisesti pysäyttää mihin tahansa kulmaan välillä 0° - 45°.
- Kun haluttu viistekulma on saavutettu, lukitse kenkä paikoilleen.

Kengän asettaminen takaisin asentoon 0°

- Vapauta kenkä.
- Kierrä kenkä takaisin asentoon 0°.
- Liu'uta kenkä takaisin 0° positiiviseen pysäytysasentoon.
- Lukitse kenkä.

Sahaaminen (kuva H)

Varoitus! Käytä aina suojalaseja. Kaikkien käyttäjien ja sivullisten on käytettävä suojalaseja.

Varoitus! Ole erityisen varovainen käyttäjään päin sahatessa. Ota sahasta tukeva ote leikatessasi.

Varmista, että terä ylittää ohjauskengän ja työstökappaleen paksuuden aina sahaamisen aikana.

Valitse leikattavaan materiaaliin parhaiten sopiva terä ja käytä lyhintä materiaalin paksuuteen sopivaa terää.

Sahaaminen

Kiertävä tai suora (kuva I)

Varoitus! Varmista ennen työkalun kytkemistä

virtalähteeseen, että työkalu ei ole lukitusasennossa.

Jos liipaisinkytkin on lukittuna, kun työkalu kytetään virtalähteeseen, työkalu käynnistyy välittömästi. Tällöin työkalu voi vahingoittaa tai se voi aiheuttaa henkilövahinkoja.

Tässä pistosahassa on neljä leikkaustoimintoa, joista kolme on kehäliikkeistä ja yksi suora. 1 Kiertoleikkauksessa on voimakkaampi terän liike ja se on tarkoitettu pehmeiden materiaalien, kuten puun tai muovin, leikkaamiseen. 2 Kiertotoiminto sopii paksuille puupaloille. 3 Kiertotoiminto leikkaa nopeammin, mutta leikkaustulos ei ole yhtä tasainen. Kiertotoiminnossa terä liikkuu eteenpäin leikkauskykyksen aikana ylä- ja alaliikkeen lisäksi.

Huomautus: Metallia tai kovaa puuta ei saa koskaan leikata kiertotoiminnolla.

Leikkaustoiminnon säätö

- Siirrä kiertokytkin (11) johonkin neljästä leikkausasennosta, jotka ovat: 0, 1, 2 ja 3. Asento 0 on suora leikkaus. Asennot 1, 2, ja 3 ovat kiertotoimintoja. Leikkauksen voimakkuus lisääntyy, kun kiertokytkintä säädetään yhdestä kolmeen. Asento 3 on voimakkain leikkaus.

Vinkejä optimaaliseen käyttöön

Vinkejä laminaattien sahaamiseen

- Koska sahanterä leikkaa ylöspäin suuntautuvalla vedolla, jalustalevyn puolella oleva pinta voi säältyä.
- Käytä pienihampaista sahanterää.
- Sahaa työkappaletta taustapuolelta.
- Minimoi säältyminen puristamalla palat hukkapuuta tai kovalevyä työkappaleen molemmille puolille ja sahaa kaikkien kerrosten läpi.

Vinkejä metallin sahaamiseen

- Ota huomioon, että metallin sahaaminen kestää pitempään kuin puun.
- Käytä metallin sahaamiseen sopivaa sahanterää.
- Kun sahaat ohutta metallilevyä, purista palat hukkapuuta työkappaleen molemmille puolille ja sahaa kaikkien kerrosten läpi.
- Levitä kerros öljyä aiotulle sahauslinjalle. Tämä helpottaa työkalun käyttöä ja pidentää terän käyttöikää. Alumiinia leikatessa on suositeltavaa käyttää kerosiinia.

Taskujen leikkaaminen (kuvat J, K)

Taskuleikkaus on helppo tapa leikata sisältä.

Saha voidaan työntää suoraan paneeliin tai levyyn ilman, että ensin porataan johdinta tai ohjausreikää.

Kun suoritat taskuleikkausta, mittaa leikattava pinta ja merkitse selkeästi lyijykynällä.

Kallista seuraavaksi sahaa eteenpäin, kunnes kengän etupää on tukevasti työtasolla ja terä irtoaa työstä koko iskun pituudelta. Kytke työkalu päälle ja anna sen saavuttaa maksiminopeus. Tartu sahaan tukevalla otteella ja laske työkalun takareunaa hitaasti, kunnes terä saavuttaa täyden syvyytensä. Pidä kenkää tasaisesti puuta vasten ja aloita leikkaaminen. Älä poista terää leikkauksesta sen liikkuaessa. Terän tulee pysähtyä kokonaan.

Lisävarusteet

Työkalun suorituskyky riippuu käytetystä lisävarusteesta. STANLEY FATMAX -lisävarusteet on valmistettu korkealaatuisiksi ja suunniteltu parantamaan työkalun suorituskykyä. Näitä lisävarusteita käyttämällä saat parhaan hyödyn työkalustasi. Tämä työkalu sopii sekä U- että T-varsiille sahanterille.

Huolto

STANLEY FATMAX -työkalu on suunniteltu toimimaan pitkään mahdollisimman vähällä huollolla. Oikea käsittely ja säännöllinen puhdistus varmistavat laitteen ongelmattoman toiminnan.

Laturi ei vaadi huoltoa, ainoastaan säännöllisen puhdistuksen.



Varoitus! Poista akku työkalusta ennen huoltotoimenpiteiden suorittamista. Irrota laturi pistorasiasta ennen laturin puhdistamista.

- Puhdista laitteen ja laturinilma-aukot säännöllisesti pehmeällä harjalla tai kuivalla kangasliinalla.
- Puhdista moottorikotelo säännöllisesti kostealla liinalla. Älä käytä hiovia tai liuotinpohjaisia puhdistusaineita.

Ympäristön suojeleminen



Toimita tämä laite kierrätykseen. Tällä symbolilla merkityjä tuotteita ja akkuja ei saa hävittää tavallisen kotitalousjätteen mukana.

Tuotteissa ja akuissa on materiaaleja, jotka voidaan kerätä tai kierrättää uudelleen käyttöä varten.

Kierrätä sähkölaitteet ja akut paikallisten määräysten mukaisesti. Lisätietoa on saatavilla osoitteessa www.2helpU.com

Tekniset tiedot

		SFMC650 (H1)
Jännite	V_{DC}	18
Kuormittamaton nopeus	min^{-1}	0 - 3200
Iskun pituus	mm	25,4
Leikkaussyvyys enintään		
Puu	mm	85
Teräs	mm	10
Alumiini	mm	25
Paino	kg	1,93

Laturi		SFMCB11	SFMCB12	SFMCB14
Tulojännite	V_{AC}	230	230	230
Lähtöjännite	V_{DC}	18	18	18
Virta	A	1,25	2	4

Akku		SFMCB201	SFMCB202	SFMCB204	SFMCB206
Jännite	V_{DC}	18	18	18	18
Kapasiteetti	Ah	1,5	2,0	4,0	6,0
Tyyppi		Li-Ion	Li-Ion	Li-Ion	Li-Ion

Äänenpainetaso standardin EN62841 mukaisesti: L_{PA} (äänenpaine) 84 dB(A), epävarmuus (K) 5 dB(A)
L_{WA} (ääniteho) 95 dB(A), epävarmuus (K) 5 dB(A)
Tärinän kokonaisarvot (kolmiakselivektorisumma) EN62841-standardin mukaisesti: $a_{h,eq}$ 4,5 m/s^2 , epävarmuus (K) 1,5 m/s^2 $a_{h,w}$ 6,4 m/s^2 , epävarmuus (K) 1,5 m/s^2

EU-vaatimustenmukaisuusvakuutus

KONEDIREKTIIVI



SFMC650 Pistosaha

Stanley Fatmax ilmoittaa, että Tekniset tiedot -kohdassa kuvatut tuotteet täyttävät seuraavien direktiivien vaatimukset: 2006/42/EY, EN62841-1:2015, EN62841-2-11:2016+A1:2020.

Nämä tuotteet täyttävät myös direktiivien 2014/30/EY ja 2011/65/EY vaatimukset. Lisätietoja saa ottamalla yhteyden Stanley Fatmaxiin seuraavassa osoitteessa. Tiedot ovat myös käyttöoppaan takakannessa.

Allekirjoittaja vastaa teknisistä tiedoista ja antaa tämän vakuutuksen seuraavan yhtiön puolesta:

Stanley Fatmax.

Patrick Diepenbach

Patrick Diepenbach
Pääjohtaja, Benelux
Stanley Fatmax,
Egide Walschaertsstraat 14-18
2800 Mechelen, Belgia
22/07/2022

Takuu

STANLEY FATMAX on vakuuttunut tuotteidensa korkeasta laadusta ja tarjoaa kuluttajille 12 kuukauden takuun, joka astuu voimaan ostopäivänä. Takuu on lisäys kuluttajan laillisiin oikeuksiin eikä se vaikuta niihin. Tämä takuu on voimassa kaikissa EU- ja ETA-maissa ja Yhdistynyt kuningaskunta.

Edellytyksenä takuun saamiselle on STANLEY FATMAX -ehdot ja että ostaja toimittaa ostosittien jälleenytykselle tai valtuutetulle huoltoilikon.

STANLEY FATMAXin 1 vuoden takuun ehdot ja lähimmän valtuutetun korjauspalvelun yhteystiedot ovat saatavilla osoitteessa www.2helpU.com tai ottamalla yhteyttä paikalliseen STANLEY FATMAX -toimipisteeseen tässä ohjekirjassa ilmoitettuihin osoitteisiin.

Käy verkkosivuiltamme osoitteessa www.stanleytools.eu/3 ja rekisteröi uusi STANLEY FATMAX -tuotteesi saadaksesi tietoa uusista tuotteista ja erikoistarjouksista.

Προβλεπόμενη χρήση

H сэга STANLEY FATMAX SFCMS650 эхе шхедшастэй гшг шн κοпћ зьлου, πλασшкών και ελασμάτων μετάλλου. Αυτό το εργαλείο προορίζεται για επαγγελματική και ιδιωτική, μη επαγγελματική χρήση.

Οδηγίες ασφαλείας

Γενικές προειδοποιήσεις ασφαλείας για ηλεκτρικά εργαλεία



Προειδοποίηση! Διαβάστε όλες τις προειδοποιήσεις ασφαλείας, τις οδηγίες, τις απεικονίσεις και τις προδιαγραφές που συνοδεύουν αυτό το ηλεκτρικό εργαλείο. Η μη τήρηση οποιασδήποτε από τις οδηγίες που αναφέρονται πιο κάτω μπορεί να έχει ως αποτέλεσμα ηλεκτροπληξία, πυρκαγιά και/ή σοβαρό τραυματισμό.

Φυλάξτε όλες τις προειδοποιήσεις και τις οδηγίες για μελλοντική αναφορά. Ο όρος "ηλεκτρικό εργαλείο" στις προειδοποιήσεις, αναφέρεται σε εργαλείο που τροφοδοτείται με ρεύμα από το ηλεκτρικό δίκτυο (με καλώδιο) ή σε εργαλείο που λειτουργεί με μπαταρία (χωρίς καλώδιο).

1. Ασφάλεια χώρου εργασίας

- Διατηρείτε τον χώρο εργασίας καθαρό και καλά φωτισμένο.** Οι ατακτοποιητοί ή σκοτεινοί χώροι γίνονται αιτίες ατυχημάτων.
- Μη χρησιμοποιείτε ηλεκτρικά εργαλεία σε περιβάλλον όπου υπάρχει κίνδυνος έκρηξης, όπως με παρουσία εύφλεκτων υγρών, αερίων ή σκόνης.** Τα ηλεκτρικά εργαλεία δημιουργούν σπινθήρες, οι οποίοι μπορεί να προκαλέσουν ανάφλεξη στη σκόνη ή τις αναθυμιάσεις.
- Όταν χρησιμοποιείτε ηλεκτρικό εργαλείο κρατάτε μακριά παιδιά και τυχόν άλλα παρευρισκόμενα άτομα.** Παράγοντες που αποσπούν την προσοχή μπορεί να σας κάνουν να χάσετε τον έλεγχο.

2. Ασφαλής χρήση ηλεκτρικού ρεύματος

- Τα φως των ηλεκτρικών εργαλείων πρέπει να ταιριάζουν στην πρίζα. Δεν επιτρέπεται με κανέναν τρόπο η μετασκευή του φως.** Μη χρησιμοποιείτε φως προσαρμογής με γειωμένα ηλεκτρικά εργαλεία. Τα φως που δεν έχουν υποστεί τροποποιήσεις και οι κατάλληλες πρίζες μειώνουν τον κίνδυνο ηλεκτροπληξίας.
- Αποφεύγετε την επαφή του σώματός σας με γειωμένες επιφάνειες όπως σωλήνες, σώματα καλοριφέρ, κουζίνες και ψυγεία.** Υπάρχει αυξημένος κίνδυνος ηλεκτροπληξίας αν το σώμα σας είναι γειωμένο.
- Μην εκθέτετε τα ηλεκτρικά εργαλεία σε βροχή ή υγρασία.** Η δεισιδουση νερού σε ένα ηλεκτρικό εργαλείο αυξάνει τον κίνδυνο ηλεκτροπληξίας.
- Μην κακομεταχειρίζεστε το καλώδιο. Μη χρησιμοποιείτε ποτέ το καλώδιο για να μεταφέρετε το εργαλείο, να το τραβήξετε ή να το αποσυνδέσετε από την πρίζα. Κρατάτε το καλώδιο μακριά από θερμότητα, λάδια, αιχμηρά άκρα ή κινούμενα μέρη.** Τα καλώδια που έχουν υποστεί ζημιά ή είναι μπερδεμένα αυξάνουν τον κίνδυνο ηλεκτροπληξίας.
- Όταν χρησιμοποιείτε το ηλεκτρικό εργαλείο σε εξωτερικούς χώρους, χρησιμοποιείτε πάντοτε καλώδια επέκτασης κατάλληλα για χρήση σε εξωτερικούς χώρους.** Η χρήση καλωδίου κατάλληλου για εργασία σε εξωτερικούς χώρους μειώνει τον κίνδυνο ηλεκτροπληξίας.
- Αν είναι αναπόφευκτη η χρήση ενός ηλεκτρικού εργαλείου σε συνθήκες υγρασίας, χρησιμοποιήστε μια διάταξη προστασίας από ρεύμα διαρροής (RCD).** Η χρήση μιας διάταξης RCD μειώνει τον κίνδυνο ηλεκτροπληξίας.

3. Ατομική ασφάλεια

- Όταν χρησιμοποιείτε ηλεκτρικό εργαλείο, να είστε σε εγρήγορση, να συγκεντρώνεστε στην εργασία που κάνετε και να επιστρατεύετε την κοινή λογική. Μη χρησιμοποιείτε ηλεκτρικό εργαλείο όταν είστε κουρασμένος/η ή υπό την επήρεια ναρκωτικών ουσιών, οινόπνεύματος ή φαρμακευτικής αγωγής.** Μια στιγμή απροσεξίας κατά τη χρήση ηλεκτρικών εργαλείων μπορεί να επιφέρει σοβαρό τραυματισμό.
- Χρησιμοποιείτε εξοπλισμό ατομικής προστασίας. Πάντα φοράτε προστασία ματιών.** Ο εξοπλισμός προστασίας, όπως μάσκα κατά της σκόνης, αντιβιοσθητική παπουσία ασφαλείας, κράνος ή προστασία ακοής, όταν χρησιμοποιείται για τις κατάλληλες συνθήκες, θα μειώσει τους τραυματισμούς και τις σωματικές βλάβες.

- c.** Αποτρέψτε την ακούσια ενεργοποίηση. Βεβαιωθείτε ότι ο διακόπτης βρίσκεται στη θέση απενεργοποίησης, πριν συνδέσετε το εργαλείο στην πηγή ρεύματος και/ή τοποθετήσετε το πακέτο μπαταριών, καθώς και πριν πάρετε στα χέρια σας ή μεταφέρετε το εργαλείο. Η μεταφορά ηλεκτρικών εργαλείων με το δάχτυλο πάνω στο διακόπτη ή η σύνδεση στο ρεύμα ηλεκτρικών εργαλείων με το διακόπτη στη θέση ενεργοποίησης, ενέχει κινδύνους ατυχημάτων.
- d.** Πριν θέσετε το ηλεκτρικό εργαλείο σε λειτουργία, αφαιρέστε τυχόν εργαλεία ή κλειδιά ρύθμισης. Εάν αφήσετε ένα εργαλείο ή κλειδί πάνω σε κάποιο περιστρεφόμενο εξάρτημα του ηλεκτρικού εργαλείου, μπορεί να προκληθούν τραυματισμοί.
- e.** Μην τεντώνετε υπερβολικά. Διατηρείτε πάντα σταθερή στήριξη στα πόδια σας και καλή ισορροπία. Έτσι μπορείτε να έχετε καλύτερο έλεγχο του ηλεκτρικού εργαλείου σε μη αναμενόμενες καταστάσεις.
- f.** Φοράτε κατάλληλο ρουχισμό. Μη φοράτε φαρδιάς εφαρμογής ενδύματα ή κοσμήματα. Κρατάτε τα μαλλιά, τα ρούχα και τα γάντια σας σε απόσταση από κινούμενα μέρη. Τα φαρδιά ρούχα ή κοσμήματα και τα μακριά μαλλιά μπορούν να πιαστούν σε κινούμενα μέρη.
- g.** Αν παρέχονται διατάξεις για τη σύνδεση εξοπλισμού απομάκρυνσης και συλλογής της σκόνης, να βεβαιώνεστε ότι αυτές έχουν συνδεθεί και χρησιμοποιούνται σωστά. Η χρήση διατάξεων συλλογής της σκόνης μπορεί να μειώσει τους κινδύνους που προέρχονται από τη σκόνη.
- h.** Μην αφήνετε την εξοικείωση που έχετε αποκτήσει από τη συχνή χρήση εργαλείων να σας επιτρέψει να εφησυχάσετε ώστε να αγνοείτε τις αρχές ασφαλούς χρήσης των εργαλείων. Μια απρόσεκτη ενέργεια μπορεί να προκαλέσει βαρύ τραυματισμό μέσα σε κλάσματα του δευτερολέπτου.
- 4. Χρήση και φροντίδα ηλεκτρικών εργαλείων**
- a.** Μην υπερφορτώνετε το ηλεκτρικό εργαλείο. Χρησιμοποιείτε το σωστό ηλεκτρικό εργαλείο για την εφαρμογή σας. Το σωστό ηλεκτρικό εργαλείο θα εκτελέσει την εργασία καλύτερα και ασφαλέστερα, με την ένταση χρήσης για την οποία σχεδιάστηκε.
- b.** Μη χρησιμοποιείτε το ηλεκτρικό εργαλείο αν ο διακόπτης του δεν το ενεργοποιεί και απενεργοποιεί. Οποιοδήποτε ηλεκτρικό εργαλείο του οποίου η λειτουργία δεν μπορεί να ελεγχθεί με τον διακόπτη είναι επικίνδυνο και πρέπει να επισκευαστεί.
- c.** Αποσυνδέστε το φως από την πηγή ρεύματος και/ή αφαιρέστε το πακέτο μπαταριών, αν είναι αποσπώμενο, από το ηλεκτρικό εργαλείο πριν πραγματοποιήσετε οποιοσδήποτε ρυθμίσεις, αλλάξετε αξεσουάρ, ή αποθηκεύσετε ηλεκτρικά εργαλεία. Τέτοια προληπτικά μέτρα ασφαλείας μειώνουν το κίνδυνο αθέλητης εκκίνησης του ηλεκτρικού εργαλείου.
- d.** Να φυλάσσετε μακριά από παιδιά τα ηλεκτρικά εργαλεία που δεν χρησιμοποιείτε και μην αφήνετε να χρησιμοποιήσουν ηλεκτρικό εργαλείο άτομα που δεν είναι εξοικειωμένα με αυτό ή άτομα που δεν έχουν διαβάσει αυτές τις οδηγίες χρήσης. Τα ηλεκτρικά εργαλεία είναι επικίνδυνα στα χέρια μη εκπαιδευμένων χρηστών.
- e.** Συντηρείτε τα ηλεκτρικά εργαλεία και τα αξεσουάρ. Ελέγχετε για προβλήματα ευθυγράμμισης ή για μάγκωμα των κινούμενων εξαρτημάτων, θραύση εξαρτημάτων, καθώς και για οποιοδήποτε άλλο πρόβλημα μπορεί να επηρεάσει τη λειτουργία των ηλεκτρικών εργαλείων. Αν το ηλεκτρικό εργαλείο έχει υποστεί ζημιά, φροντίστε να επισκευαστεί πριν το χρησιμοποιήσετε. Η ανεπαρκής συντήρηση των ηλεκτρικών εργαλείων αποτελεί αιτία πολλών ατυχημάτων.
- f.** Διατηρείτε τα κοπτικά εργαλεία κοφτερά και καθαρά. Τα κατάλληλα συντηρημένα κοπτικά εργαλεία με αιχμηρά άκρα κοπής έχουν μικρότερες πιθανότητες να μαγκώσουν και ελέγχονται ευκολότερα.
- g.** Χρησιμοποιείτε το ηλεκτρικό εργαλείο, τα αξεσουάρ και εξαρτήματα εργασίας του εργαλείου κλπ. σύμφωνα με τις παρούσες οδηγίες, λαμβάνοντας υπ' όψη τις συνθήκες εργασίας και την προς εκτέλεση εργασία. Η χρήση του ηλεκτρικού εργαλείου για εργασίες διαφορετικές από τις προβλεπόμενες θα μπορούσε να οδηγήσει σε επικίνδυνη κατάσταση.
- h.** Διατηρείτε τις λαβές και τις επιφάνειες κρατήματος στεγνές, καθαρές και απαλλαγμένες από λάδι και γύψο. Οι ολισθηρές λαβές και επιφάνειες κρατήματος δεν επιτρέπουν τον ασφαλή χειρισμό και έλεγχο του εργαλείου σε μη αναμενόμενες καταστάσεις.
- 5. Χρήση και φροντίδα εργαλείων μπαταρίας**
- a.** Επαναφορτίζετε μόνο με τον φορτιστή που καθορίζει ο κατασκευαστής. Ένας φορτιστής που είναι κατάλληλος για ένα τύπο πακέτου μπαταριών μπορεί να δημιουργήσει κίνδυνο πυρκαγιάς αν χρησιμοποιηθεί με άλλο πακέτο μπαταριών.

- b. Χρησιμοποιείτε τα ηλεκτρικά εργαλεία αποκλειστικά και μόνο με τα καθοριζόμενα πακέτα μπαταριών.** Η χρήση άλλων πακέτων μπαταριών μπορεί να προκαλέσει κίνδυνο τραυματισμού και πυρκαγιάς.
- c. Όταν ένα πακέτο μπαταριών δεν χρησιμοποιείται, μην το πλησιάζετε σε μεταλλικά αντικείμενα όπως συνδετήρες, κέρματα, κλειδιά, καρφιά, βίδες ή άλλα μικρά μεταλλικά αντικείμενα που μπορούν να βραχυκυκλώσουν τους δύο ακροδέκτες του.** Η βραχυκύκλωση των ακροδεκτών της μπαταρίας μεταξύ τους μπορεί να προκαλέσει εγκαύματα ή πυρκαγιά.
- d. Αν η μπαταρία υποστεί κακομεταχείριση, μπορεί να διαρρεύσει υγρό. Αποφύγετε την επαφή. Αν κατά λάθος έρθετε σε επαφή, ξεπλύνετε με νερό. Αν το υγρό έρθει σε επαφή με τα μάτια, ζητήστε επιπλέον και ιατρική βοήθεια.** Το υγρό που εξέρχεται από την μπαταρία μπορεί να προκαλέσει ερεθισμούς ή εγκαύματα.
- e. Μη χρησιμοποιήσετε πακέτο μπαταριών ή εργαλείο που έχει υποστεί ζημιά ή τροποποίηση.** Οι μπαταρίες που έχουν υποστεί ζημιά ή τροποποίηση μπορεί να έχουν απρόβλεπτη συμπεριφορά, με αποτέλεσμα φωτιά, έκρηξη ή κίνδυνο τραυματισμού.
- f. Μην εκθέσετε ένα πακέτο μπαταριών ή εργαλείο σε φωτιά ή υπερβολική θερμοκρασία.** Η έκθεση σε φωτιά ή σε θερμοκρασία πάνω από 130 °C μπορεί να προκαλέσει έκρηξη.
- g. Τηρείτε όλες τις οδηγίες φόρτισης και μη φορτίζετε το πακέτο μπαταριών ή το εργαλείο εκτός των ορίων θερμοκρασίας που ορίζονται στις προδιαγραφές.** Η ακατάλληλη φόρτιση ή η φόρτιση σε θερμοκρασίες εκτός των προβλεπόμενων ορίων μπορεί να προξενήσει ζημιά στην μπαταρία και να αυξήσει τον κίνδυνο φωτιάς.
- 6. Σέρβις**
- a. Το σέρβις του ηλεκτρικού σας εργαλείου πρέπει να αναλαμβάνει έμπειρος τεχνικός που θα χρησιμοποιεί μόνο γνήσια ανταλλακτικά.** Έτσι θα εξασφαλίσετε τη διατήρηση της ασφάλειας του ηλεκτρικού εργαλείου
- b. Ποτέ μην κάνετε σέρβις σε πακέτα μπαταριών που έχουν υποστεί ζημιά.** Το σέρβις των πακέτων μπαταριών πρέπει να γίνεται μόνο από τον κατασκευαστή ή από εξουσιοδοτημένους παρόχους σέρβις.
- ◆ **Κρατάτε το ηλεκτρικό εργαλείο από μονωμένες επιφάνειες λαβής όταν εκτελείτε μια εργασία όπου το αξεσουάρ κοπής μπορεί να έρθει σε επαφή με αθέατα καλώδια.** Αν αξεσουάρ κοπής έρθει σε επαφή με καλώδιο υπό τάση μπορεί να θεθούν υπό ηλεκτρική τάση και τα εκτεθειμένα μεταλλικά μέρη του ηλεκτρικού εργαλείου και να προκληθεί ηλεκτροπληξία στον χειριστή.
 - ◆ **Χρησιμοποιείτε σφικτήρες ή άλλο πρακτικό τρόπο για να στερεώνετε και να στηρίζετε το αντικείμενο εργασίας σε ένα σταθερό υπόβαθρο.** Αν κρατάτε το αντικείμενο εργασίας με το χέρι σας ή κόντρα στο σώμα σας, αυτό δεν είναι σταθερό και μπορεί να προκληθεί απώλεια ελέγχου.
 - ◆ **Κρατάτε τα χέρια σας μακριά από την περιοχή κοπής.** Ποτέ μην πλησιάζετε τα χέρια σας κάτω από το αντικείμενο εργασίας, για κανένα λόγο. Μην πλησιάζετε τα δάχτυλα ή τον αντίχειρά σας κοντά στην παλινδρομική λεπίδα και τον σφικτήρα λεπίδας. Μην σταθεροποιείτε το πριόνι κρατώντας το από το πέδιλο.
 - ◆ **Διατηρείτε τις λεπίδες αιχμηρές.** Οι λεπίδες που είναι στομωμένες ή έχουν υποστεί ζημιά μπορεί να προκαλέσουν παρέκκλιση του πριονιού ή διακοπή της λειτουργίας του υπό πίεση. Χρησιμοποιείτε πάντα τον κατάλληλο τύπο λεπίδας πριονιού ανάλογα με το υλικό του αντικείμενου εργασίας και τον τύπο κοπής.
 - ◆ **Όταν κόβετε σωλήνες ή αγωγούς βεβαιωθείτε ότι δεν περιέχουν νερό, ηλεκτρικές καλωδιώσεις, κλπ.**
 - ◆ **Μην αγγίζετε το αντικείμενο εργασίας ή τη λεπίδα αμέσως μετά τη χρήση του εργαλείου.** Μπορούν να αποκτήσουν υψηλή θερμοκρασία.
 - ◆ **Προσέχετε τους κρυφούς κινδύνους και πριν από την κοπή τοίχων, δαπέδων ή ταβανιών ελέγχετε για τυχόν διερχόμενα καλώδια ή σωλήνες.**
 - ◆ **Η λεπίδα συνεχίζει να κινείται και μετά την απελευθέρωση του διακόπτη.** Απενεργοποιείτε πάντα το εργαλείο και περιμένετε να σταματήσει εντελώς η λεπίδα πριονιού πριν αφήσετε από τα χέρια σας το εργαλείο.
- Προειδοποίηση!** Η επαφή με τη σκόνη ή η εισπνοή της σκόνης που δημιουργούν οι εφαρμογές κοπής μπορεί να φέρουν κίνδυνο για την υγεία του χειριστή και των ατόμων που ενδοχομώνας παρευρίσκονται.
- Φορέστε μάσκα σκόνης ειδικά σχεδιασμένη για προστασία έναντι της σκόνης και των αναθυμιάσεων και βεβαιωθείτε ότι τα άκρα που βρίσκονται ή εισέρχονται στο χώρο εργασίας είναι επίσης προστατευμένα.
- ◆ Η προβλεπόμενη χρήση περιγράφεται στο παρόν εγχειρίδιο οδηγιών.
 - ◆ Η χρήση οποιοδήποτε αξεσουάρ ή προσαρτήματος ή η εκτέλεση οποιασδήποτε εργασίας με αυτό το εργαλείο η οποία δε συστήνεται στο παρόν εγχειρίδιο οδηγιών, ενδέχεται να εγκυμονεί κίνδυνο τραυματισμού.

Πρόσθετες προειδοποιήσεις ασφαλείας για ηλεκτρικά εργαλεία



Προειδοποίηση! Πρόσθετες προειδοποιήσεις ασφαλείας για σέγγες και σπαθασέγγες

Ασφάλεια τρίτων

- ◆ Αυτό το εργαλείο δεν προορίζεται για χρήση από άτομα (στα οποία περιλαμβάνονται και τα παιδιά) με μειωμένες φυσικές, αντιληπτικές ή διανοητικές ικανότητες ή άτομα χωρίς εμπειρία και γνώσεις, παρά μόνο εφόσον επιτηρούνται ή τους έχουν δοθεί οδηγίες σχετικά με τη χρήση του εργαλείου από άτομο υπεύθυνο για την ασφάλεια τους.
- ◆ Τα παιδιά πρέπει να επιτηρούνται για να διασφαλίζεται ότι δεν παίζουν με το εργαλείο.

Υπολειπόμενοι κίνδυνοι

Κατά τη χρήση του εργαλείου μπορεί να προκύψουν πρόσθετοι υπολειπόμενοι κίνδυνοι, οι οποίοι ενδέχεται να μη συμπεριλαμβάνονται στις προειδοποιήσεις ασφαλείας που εσωκλείονται. Αυτοί οι κίνδυνοι μπορεί να προκληθούν από κακή χρήση, παρατεταμένη χρήση κλπ.

Παρά την εφαρμογή των σχετικών κανονισμών ασφαλείας και τη χρήση διατάξεων ασφαλείας, ορισμένοι υπολειπόμενοι κίνδυνοι δεν είναι δυνατό να αποφευχθούν. Σε αυτούς περιλαμβάνονται:

- ◆ Τραυματισμοί από επαφή με οποιαδήποτε περιστρεφόμενα/ κινούμενα μέρη.
- ◆ Τραυματισμοί κατά την αλλαγή οποιονδήποτε εξαρτημάτων, λεπίδων ή αξεσουάρ.
- ◆ Σωματικές βλάβες από παρατεταμένη χρήση εργαλείου. Όταν χρησιμοποιείτε οποιοδήποτε εργαλείο για παρατεταμένα χρονικά διαστήματα, μην παραλείπετε με κανένα τρόπο να κάνετε τακτικά διαλείμματα.
- ◆ Βλάβη της ακοής.
- ◆ Κίνδυνοι στην υγεία που προκαλούνται από την εισπνοή σκόνης όταν χρησιμοποιείτε το εργαλείο (παραδειγμα:- όταν επεξεργάζεστε ξύλο, ειδικά δρυ, οξιά και MDF).

Κραδασμοί

Η δηλωμένη τιμή εκπομπής κραδασμών που αναφέρεται στα τεχνικά χαρακτηριστικά και τη δήλωση συμμόρφωσης έχει μετρηθεί σύμφωνα με τυποποιημένη μέθοδο δοκιμής που παρέχεται από το πρότυπο EN 62841 και μπορεί να χρησιμοποιηθεί για τη σύγκριση ενός εργαλείου με ένα άλλο. Η δηλωμένη τιμή εκπομπής κραδασμών μπορεί επίσης να χρησιμοποιηθεί σε έναν προκαταρκτικό προσδιορισμό της έκθεσης σε κραδασμούς.

Προειδοποίηση! Η τιμή εκπομπής κραδασμών κατά την πραγματική χρήση του ηλεκτρικού εργαλείου μπορεί να διαφέρει από τη δηλωμένη τιμή, ανάλογα με τον τρόπο που χρησιμοποιείται το εργαλείο. Το επίπεδο κραδασμών μπορεί να αυξηθεί πάνω από το επίπεδο που έχει δηλωθεί.

Κατά τον προσδιορισμό της έκθεσης σε κραδασμούς για τον καθορισμό των απαιτούμενων μέτρων ασφαλείας σύμφωνα με την οδηγία 2002/44/ΕΚ για την προστασία προσώπων που χρησιμοποιούν συχνά ηλεκτρικά εργαλεία στην εργασία τους, μια προσεγγιστική εκτίμηση της έκθεσης σε κραδασμούς πρέπει να λαμβάνει υπόψη τις πραγματικές

συνθήκες χρήσης και τον τρόπο χρήσης του εργαλείου, συμπεριλαμβανομένων και όλων των επιμέρους τμημάτων του κύκλου εργασίας, όπως πόσες φορές τέθηκε το εργαλείο εκτός λειτουργίας, πότε είναι σε λειτουργία χωρίς φορτίο, επιπλέον του χρόνου πίεσης της σκανδάλης.

Ετικέτες πάνω στο εργαλείο

Τα εικονογράμματα που ακολουθούν μαζί με τον κωδικό ημερομηνίας εμφανίζονται πάνω στο εργαλείο:



Προειδοποίηση! Για να μειωθεί ο κίνδυνος τραυματισμού, ο χρήστης πρέπει να διαβάσει το εγχειρίδιο οδηγιών.



Ορατή ακτινοβολία. Μην κοιτάζετε τη δέσμη.

Συμπληρωματικές οδηγίες ασφαλείας για τις μπαταρίες και τους φορτιστές

Μπαταρίες

- ◆ Ποτέ μην επιχειρήσετε να ανοίξετε το προϊόν, για κανένα λόγο.
- ◆ Μην εκθέτετε την μπαταρία σε νερό.
- ◆ Μην φυλάσσετε τις μπαταρίες σε μέρη όπου η θερμοκρασία μπορεί να υπερβεί τους 40 °C.
- ◆ Η φόρτιση πρέπει να γίνεται μόνο σε θερμοκρασίες περιβάλλοντος μεταξύ 10 °C και 40 °C.
- ◆ Φορτίζετε μόνο με τον φορτιστή που παρέχεται με το εργαλείο.
- ◆ Όταν απορρίπτετε τις μπαταρίες, ακολουθήστε τις οδηγίες που δίνονται στην ενότητα "Προστασία του περιβάλλοντος".



Μην επιχειρήσετε να φορτίσετε μπαταρίες που έχουν υποστεί ζημία.

Φορτιστές

- ◆ Ο φορτιστής STANLEY FATMAX πρέπει να χρησιμοποιείται αποκλειστικά και μόνο για τη φόρτιση της μπαταρίας του εργαλείου το οποίο συνοδεύει. Άλλες μπαταρίες μπορεί να εκραγούν, προκαλώντας τραυματισμό και ζημιές.
- ◆ Μην επιχειρείτε να φορτίσετε μη επαναφορτιζόμενες μπαταρίες.
- ◆ Φροντίστε να αντικαθίστανται άμεσα τα καλώδια που παρουσιάζουν βλάβη.
- ◆ Μην εκθέτετε τον φορτιστή σε νερό.
- ◆ Μην ανοίξετε τον φορτιστή.
- ◆ Μην εισάγετε αντικείμενα στον φορτιστή.



Ο φορτιστής προορίζεται για χρήση σε εσωτερικούς χώρους και μόνο.



Διαβάστε αυτό το εγχειρίδιο οδηγιών πριν από τη χρήση.

Ασφαλής χρήση ηλεκτρικού ρεύματος



Ο φορτιστής σας φέρει διπλή μόνωση, επομένως δεν απαιτείται αγωγός γείωσης. Ελέγχετε πάντα αν η τάση τροφοδοσίας αντιστοιχεί σε αυτήν που αναγράφεται στην πινακίδα στοιχείων. Ποτέ μην επιχειρήσετε να αντικαταστήσετε τη μονάδα φορτιστή με έναν κανονικό φως ρεύματος δικτύου.

- ♦ Αν το καλώδιο τροφοδοσίας έχει υποστεί ζημιά, πρέπει να αντικατασταθεί από τον κατασκευαστή ή εξουσιοδοτημένο κέντρο σέρβις της STANLEY FATMAX για την αποφυγή κινδύνου.

Χαρακτηριστικά

Αυτό το εργαλείο διαθέτει μερικά από ή όλα τα παρακάτω χαρακτηριστικά.

1. Μπαταρία
2. Κουμπί απελευθέρωσης μπαταρίας
3. Κύρια λαβή
4. Σκανδάλη ρύθμισης ταχύτητας
5. Κουμπί ασφάλισης
6. Απελευθέρωση λεπίδας χωρίς εργαλεία
7. Λεπίδα
8. Μοχλός ρύθμισης λοξής κοπής χωρίς κλειδί
9. Πέδιλο
10. Κάλυμμα πέδιλου
11. Επιλογέας ελλειψοειδούς κίνησης

Συναρμολόγηση



Προειδοποίηση! Πριν από τη συναρμολόγηση, αφαιρέστε την μπαταρία από το εργαλείο και βεβαιωθείτε ότι η λεπίδα πριονιού έχει σταματήσει να κινείται. Οι λεπίδες πριονιού μετά από χρήση μπορεί να είναι καυτές.

Φόρτιση της μπαταρίας (Εικ. Α)

Η μπαταρία πρέπει να φορτίζεται πριν από την πρώτη χρήση και όποτε αδυνατεί να παρέχει επαρκή ισχύ σε εργασίες που παλιά ήταν εύκολη η εκτέλεσή τους.

Η μπαταρία μπορεί να θερμαίνεται κατά τη φόρτιση. Κάτι τέτοιο είναι φυσιολογικό και δεν υποδηλώνει πρόβλημα.

Προειδοποίηση! Μη φορτίζετε την μπαταρία σε θερμοκρασίες περιβάλλοντος κάτω από 10 °C ή πάνω από 40 °C. Η συνιστώμενη θερμοκρασία φόρτισης είναι περίπου 24 °C.

ΣΗΜΕΙΩΣΗ: Ο φορτιστής δεν θα φορτίσει μια μπαταρία με θερμοκρασία στοιχείων κάτω από περίπου 10 °C ή πάνω από 40 °C.

Η μπαταρία θα πρέπει να μείνει στο φορτιστή και αυτός θα αρχίσει να τη φορτίζει αυτόματα μόλις η θερμοκρασία στοιχείων αυξηθεί ή μειωθεί αντίστοιχα.

ΣΗΜΕΙΩΣΗ: Για να εξασφαλίσετε μέγιστη απόδοση και μέγιστη ωφέλιμη ζωή των πακέτων μπαταριών ιόντων λιθίου, φορτίστε πλήρως το πακέτο μπαταριών πριν την πρώτη χρήση.

- ♦ Συνδέστε τον φορτιστή (12) σε κατάλληλη πρίζα πριν εισάγετε το πακέτο μπαταριών (1).
- ♦ Η πράσινη λυχνία φόρτισης (12a) θα αναβοσβήνει συνεχώς υποδηλώνοντας ότι έχει αρχίσει η διαδικασία φόρτισης.
- ♦ Η φόρτιση έχει ολοκληρωθεί όταν η πράσινη λυχνία φόρτισης (12a) παραμένει μόνιμα αναμμένη. Τότε το πακέτο μπαταριών (1) είναι πλήρως φορτισμένο και μπορείτε να το χρησιμοποιήσετε άμεσα ή να το αφήσετε τοποθετημένο στον φορτιστή (12).
- ♦ Φορτίζετε τις αποφορτισμένες μπαταρίες εντός 1 εβδομάδας. Η διάρκεια ζωής μιας μπαταρίας μειώνεται σημαντικά αν αποθηκευτεί σε αποφορτισμένη κατάσταση.

Λειτουργίες φορτιστή LED

	Σε φόρτιση: Πράσινη LED Αναβοσβήνει	
	Φόρτιση ολοκληρώθηκε: Πράσινη LED Σταθερά αναμμένη	
	Καθυστέρηση θερμού/ψυχρού πακέτου: Πράσινη LED Αναβοσβήνει Κόκκινη LED Σταθερά αναμμένη	

ΣΗΜΕΙΩΣΗ: Ο/Οι συμβατός(-οί) φορτιστής(-ές) δεν θα φορτίσουν ένα πακέτο μπαταριών που παρουσιάζει βλάβη. Ο φορτιστής θα υποδείξει ότι υπάρχει βλάβη στο πακέτο μπαταριών με το να μην ανάψει ενδεικτική λυχνία.

ΣΗΜΕΙΩΣΗ: Αυτό θα μπορούσε να σημαίνει και πρόβλημα με τον φορτιστή. Αν ο φορτιστής υποδηλώνει πρόβλημα, δώστε τον φορτιστή και το πακέτο μπαταριών για έλεγχο σε εξουσιοδοτημένο κέντρο σέρβις.

Παραμονή της μπαταρίας στον φορτιστή

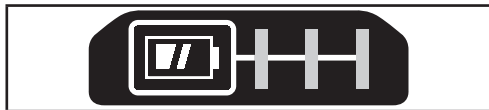
Ο φορτιστής και το πακέτο μπαταριών μπορούν να παραμείνουν συνδεδεμένα επ' αόριστον με τη λυχνία LED αναμμένη. Ο φορτιστής θα διατηρήσει το πακέτο μπαταριών πλήρως φορτισμένο.

Καθυστέρηση θερμού/ψυχρού πακέτου

Αν ο φορτιστής ανιχνεύσει ότι μια μπαταρία βρίσκεται σε πολύ υψηλή ή πολύ χαμηλή θερμοκρασία, τότε ξεκινά αυτόματα μια Καθυστέρηση θερμού/ψυχρού πακέτου, η πράσινη LED (12a) αναβοσβήνει, ενώ η κόκκινη LED (12b) παραμένει αναμμένη συνεχώς, και η φόρτιση αναστέλλεται έως ότου η μπαταρία αποκτήσει κατάλληλη θερμοκρασία. Κατόπιν, ο φορτιστής αρχίζει αυτόματα τη φόρτιση του πακέτου. Αυτή η λειτουργία διασφαλίζει τη μέγιστη διάρκεια ζωής της μπαταρίας.

Ένδειξη κατάστασης φόρτισης μπαταρίας (Εικ. Β)

Η μπαταρία περιλαμβάνει μια ένδειξη κατάστασης φόρτισης για να μπορείτε να εκτιμάτε εύκολα τη διάρκεια ζωής της μπαταρίας, όπως δείχνει η εικόνα Β. Πατώντας το κουμπί κατάστασης φόρτισης (1a) μπορείτε να δείτε εύκολα τη φόρτιση που απομένει στην μπαταρία, όπως παρουσιάζεται στην εικόνα Β.



Εισαγωγή και αφαίρεση του πακέτου μπαταριών από το εργαλείο

Προειδοποίηση! Βεβαιωθείτε ότι είναι πατημένο το κουμπί ασφάλισης, για να αποφύγετε τυχόν ενεργοποίηση του διακόπτη πριν από την αφαίρεση ή την τοποθέτηση της μπαταρίας.

Για να εγκαταστήσετε το πακέτο μπαταριών (Εικ. C)

- Εισάγετε το πακέτο μπαταριών (1) με σταθερή πίεση μέσα στο εργαλείο έως ακούσετε ήχο ασφάλισης, όπως δείχνει η εικόνα C. Βεβαιωθείτε ότι το πακέτο μπαταριών έχει εδράσει πλήρως και έχει ασφαλίσει καλά στη θέση του.

Για να εγκαταστήσετε το πακέτο μπαταριών (Εικ. C)

- Πατήστε το κουμπί απελευθέρωσης της μπαταρίας (2) όπως δείχνει η εικόνα C και τραβήξτε το πακέτο μπαταριών έξω από το εργαλείο.

Τοποθέτηση και αφαίρεση της λεπίδας πριονιού (Εικ. D)

- Κρατήστε την λεπίδα πριονιού (7) με τα δόντια να κοιτούν προς τα εμπρός.
- Σπρώξτε τον μοχλό απελευθέρωσης λεπίδας πριονιού (6) προς τα κάτω.
- Τοποθετήστε το στέλεχος της λεπίδας πλήρως μέσα στον σφικτήρα της λεπίδας μέχρι το τέρμα της διαδρομής του.
- Ελευθερώστε τον μοχλό.

- Για να αφαιρέσετε τη λεπίδα πριονιού (7), σπρώξτε τον μοχλό απελευθέρωσης λεπίδας πριονιού (6) προς τα κάτω και τραβήξτε τη λεπίδα έξω.



Προειδοποίηση! Η λεπίδα μπορεί να θερμανθεί κατά τη χρήση. Φοράτε πάντα γάντια κατά την αφαίρεση μιας λεπίδας.

Ενεργοποίηση και απενεργοποίηση (Εικ. F)

- Για να ενεργοποιησετε το εργαλείο, σπρώξτε το κουμπί ασφάλισης (5) προς τα αριστερά και στη συνέχεια, πατήστε και κρατήστε πατημένο τον διακόπτη σκανδάλης ρύθμισης ταχύτητας (4).
- Για να απενεργοποιήσετε το εργαλείο, ελευθερώστε τον διακόπτη σκανδάλης (4).



Προειδοποίηση! Μην ενεργοποιείτε ή απενεργοποιείτε το εργαλείο όταν βρίσκεται υπό φορτίο.



Προειδοποίηση! Σπρώχνετε πάντα το διακόπτη ασφάλισης (5) προς τα δεξιά στη θέση ασφάλισης όταν δεν χρησιμοποιείται το εργαλείο.

Ρύθμιση ταχύτητας

Ο διακόπτης on/off ρύθμισης ταχύτητας προσφέρει μια επιλογή ταχυτήτων για κατά πολύ βελτιωμένους ρυθμούς κοπής σε διάφορα υλικά.

- Η ταχύτητα καθορίζεται από το βαθμό πίεσης του διακόπτη σκανδάλης (4).

Αφαιρούμενο κάλυμμα πέδιλου για αποφυγή χαραγών (Εικ. E)

Θα πρέπει να χρησιμοποιείτε το κάλυμμα πέδιλου για αποφυγή χαραγών (10) όταν κόβετε επιφάνειες που χαράζονται εύκολα, όπως υλικά λαμινέ, καπλαμά ή βαφή. Για να προσαρμόσετε το κάλυμμα πέδιλου για αποφυγή χαραγών (10), τοποθετήστε το μπροστινό μέρος του αλουμινένιου πέδιλου (9) μέσα στο μπροστινό μέρος του καλύμματος πέδιλου για αποφυγή χαραγών και χαμηλώστε τη σέγα. Το κάλυμμα πέδιλου για αποφυγή χαραγών θα ασφαλίσει με ήχο κλικ στο πίσω μέρος του αλουμινένιου πέδιλου.

Για να αφαιρέσετε το κάλυμμα πέδιλου για αποφυγή χαραγών, πιάστε το από το κάτω μέρος. Κρατώντας αντίσταση στις δύο πίσω προεξοχές αφαιρέστε το κάλυμμα πέδιλου για αποφυγή χαραγών.

Σωστή τοποθέτηση των χεριών (Εικ. F)

Προειδοποίηση! Για να μειώσετε τον κίνδυνο σοβαρού τραυματισμού, ΠΑΝΤΑ χρησιμοποιείτε τη σωστή θέση των χεριών όπως δείχνει η εικόνα.

Προειδοποίηση! Για να μειώσετε τον κίνδυνο σοβαρού τραυματισμού, ΠΑΝΤΑ να κρατάτε σταθερά το εργαλείο σε αναμονή απότομης αντίδρασης.

Για τη σωστή τοποθέτηση των χεριών απαιτείται ένα χέρι στην κύρια λαβή (3).

Ρύθμιση πέλδου για λοξή κοπή (Εικ. Ε)

- ◆ Για να απασφαλίσετε το πέλδο, τραβήξτε προς το πλάι τον μοχλό ρύθμισης λοξής κοπής χωρίς κλειδί (8).
- ◆ Για να ασφαλίσετε το πέλδο, στρώστε πάλι κάτω από τον κορμό της σένας τον μοχλό ρύθμισης λοξής κοπής χωρίς κλειδί (8).

Για να ρυθμίσετε το πέλδο για λοξή κοπή

- ◆ Απασφαλίστε το πέλδο.
- ◆ Κινήστε το πέλδο (9) προς τα εμπρός για να το απασφαλίσετε από τη θέση συγκράτησης 0°.
- ◆ Το πέλδο μπορεί να ρυθμιστεί για λοξή κοπή προς τα αριστερά ή προς τα δεξιά και διαθέτει σημεία συγκράτησης στις 0°, 22,5° και 45°. Το πέλδο μπορεί να στερεωθεί χειροκίνητα σε οποιαδήποτε γωνία μεταξύ 0° και 45°.
- ◆ Όταν επιτύχετε την επιθυμητή γωνία λοξής κοπής, ασφαλίστε το πέλδο στη θέση του.

Για να επαναφέρετε το πέλδο στις 0°

- ◆ Απασφαλίστε το πέλδο.
- ◆ Περιστρέψτε το πέλδο πίσω στις 0°.
- ◆ Κινήστε το πέλδο πάλι στη θέση συγκράτησης 0°.
- ◆ Ασφαλίστε το πέλδο.

Κοπή (Εικ. Η)

Προειδοποίηση! Πάντα φοράτε προστασία ματιών. Όλοι οι χρήστες και οι παραρρισκόμενοι πρέπει να φορούν προστασία ματιών.

Προειδοποίηση! Να είστε εξαιρετικά προσεκτικοί όταν κόβετε προς το χειριστή. Κατά την κοπή κρατάτε πάντα το πριόνι σταθερά.

Κατά τη διάρκεια της κοπής, η λεπίδα πρέπει να εκτείνεται πέρα από το παλινδρομικό πέλμα και το πάχος του αντικειμένου εργασίας. Επιλέξτε τη λεπίδα που είναι η πιο κατάλληλη για το υλικό που πρόκειται να κόψετε και χρησιμοποιήστε την πιο κοντή κατάλληλη λεπίδα για το πάχος του υλικού.

Λειτουργία κοπής

Ελλειψοειδής ή ευθεία κίνηση (Εικ. Ι)

Προειδοποίηση! Ελέγξτε ότι το εργαλείο δεν είναι ασφαλισμένο στη θέση ενεργοποίησης, πριν τη σύνδεση σε παροχή ρεύματος. Εάν ο διακόπτης σκανδάλης είναι ασφαλισμένος στη θέση ενεργοποίησης, κατά τη σύνδεση στην παροχή ρεύματος το εργαλείο θα αρχίσει να λειτουργεί αμέσως. Μπορεί να προκληθεί ζημιά στο εργαλείο ή τραυματισμός ατόμων. Η σέγα αυτή είναι εξοπλισμένη με τέσσερις λειτουργίες κοπής, τρεις ελλειψοειδείς και μια ευθεία. 1 Η ελλειψοειδής κίνηση χαρακτηρίζεται από πιο επιθετική κίνηση της λεπίδας και έχει σχεδιαστεί για κοπή

σε μαλακά υλικά όπως ξύλο ή πλαστικό. 2 Η ελλειψοειδής κίνηση είναι κατάλληλη για κομμάτια ξύλου μεγάλου πάχους. 3 Η ελλειψοειδής κίνηση προσφέρει ταχύτερη κοπή, αλλά με λιγότερο λείο αποτέλεσμα κοπής μέσα από το υλικό. Στην ελλειψοειδή κίνηση, επιπλέον της κίνησης πάνω-κάτω, η λεπίδα κινείται και προς τα εμπρός κατά τη διαδρομή κοπής. **ΣΗΜΕΙΩΣΗ:** Μέταλλα και σκληρά ξύλα δεν πρέπει ποτέ να κόβονται με ελλειψοειδή κίνηση κοπής.

Για να ρυθμίσετε τη λειτουργία κοπής

- ◆ Μετακινήστε τον επιλογέα ελλειψοειδούς κίνησης (11) μεταξύ των τεσσάρων θέσεων κοπής: 0, 1, 2 και 3. Η θέση 0 αντιστοιχεί σε ευθεία κίνηση κοπής. Οι θέσεις 1, 2 και 3 αντιστοιχούν σε ελλειψοειδή κίνηση κοπής. Η επιθετικότητα της κοπής αυξάνεται καθώς αυξάνεται η ρύθμιση του επιλογέα ελλειψοειδούς κίνησης από το ένα έως το τρία, και το τρία αντιστοιχεί στην πιο επιθετική κοπή.

Συμβουλές για βέλτιστη χρήση

Συμβουλές για κοπές πολυστρωματικών υλικών

- ◆ Καθώς η λεπίδα πριονιού κόβει κατά τη διαδρομή προς τα πάνω, μπορεί να προκύψουν σκλήθρες στην επιφάνεια που είναι πιο κοντά στην πλάκα πέλδου.
- ◆ Χρησιμοποιείτε μια λεπίδα πριονιού με λεπτά δόντια.
- ◆ Πριονίζετε από την πίσω επιφάνεια του αντικειμένου εργασίας.
- ◆ Για να ελαχιστοποιήσετε τη δημιουργία σκληθρών, στερεώστε με το σφιγκτήρα ένα κομμάτι άχρηστου ξύλου ή κόντρα πλακέ και στις δύο πλευρές του αντικειμένου εργασίας και κατόπιν κόψτε αυτό το σάντουιτς.

Συμβουλές για κοπή μετάλλου

- ◆ Έχετε υπόψη σας ότι για την κοπή μετάλλου χρειάζεται πολύ περισσότερος χρόνος σε σχέση με την κοπή ξύλου.
- ◆ Χρησιμοποιείτε μια λεπίδα πριονιού κατάλληλη για κοπή μετάλλου.
- ◆ Όταν κόβετε λεπτά μέταλλα, στερεώστε με το σφιγκτήρα ένα κομμάτι άχρηστου ξύλου στην πίσω επιφάνεια του αντικειμένου εργασίας και κατόπιν κόψτε αυτό το σάντουιτς.
- ◆ Απλώστε ένα λεπτό στρώμα λαδιού κατά μήκος της γραμμής κοπής, για ευκολότερη λειτουργία και μεγαλύτερη διάρκεια ζωής της λάμας. Για κοπή αλουμινίου, προτιμάται κηροζίνη.

Κοπή εσωτερικού ανοίγματος (Εικ. J, K)

Η κοπή εσωτερικού ανοίγματος είναι ένας εύκολος τρόπος να κάνετε μια εσωτερική κοπή.

Το πριόνι μπορεί να εισαχθεί απευθείας μέσα σε ένα πλαίσιο ή μια σανίδα χωρίς να χρειάζεται πρώτα διάτρηση οπής-οδηγού. Στην κοπή εσωτερικού ανοίγματος, μετρήστε την επιφάνεια που πρόκειται να κόψετε και σημαδεύτε την καθαρά με ένα μολύβι.

Κατόπιν γείρετε το πριόνι προς τα εμπρός έως ότου το μπροστινό άκρο του πέλδου να στηρίζεται σταθερά στην επιφάνεια εργασίας και η λεπίδα, σε όλη τη διαδρομή της, να μην έρχεται σε επαφή με το αντικείμενο εργασίας. Ενεργοποιήστε το εργαλείο και αφήστε το να επιτύχει μέγιστο αριθμό στροφών. Πιάστε σταθερά το εργαλείο και χαμηλώστε το πίσω άκρο του εργαλείου αργά έως ότου η λεπίδα φθάσει το πλήρες βάθος της. Κρατήστε το πέλδο σταθερά σε επαφή με το ξύλο και αρχίστε την κοπή. Μην αφαιρέσετε τη λεπίδα από την οπή ενώ κινείται ακόμα. Η λεπίδα πρέπει να σταματήσει τελείως.

Αξεσουάρισμα

Η απόδοση του εργαλείου σας εξαρτάται από το αξεσουάρισμα που χρησιμοποιείτε. Τα αξεσουάρ STANLEY FATMAX έχουν κατασκευαστεί μηχανικά με βάση πρότυπα υψηλής ποιότητας και είναι σχεδιασμένα να ενισχύουν την απόδοση του εργαλείου σας. Χρησιμοποιώντας αυτά τα αξεσουάρ, θα εξασφαλίσετε την καλύτερη δυνατή απόδοση του εργαλείου σας. Το εργαλείο αυτό είναι συμβατό με λεπίδες πριονιού που έχουν στέλεχος και σχήματος T και σχήματος U.

Συντήρηση

Αυτό το εργαλείο STANLEY FATMAX έχει σχεδιαστεί έτσι ώστε να λειτουργεί για μεγάλο χρονικό διάστημα με την ελάχιστη δυνατή συντήρηση. Η συνεχής ικανοποιητική λειτουργία του εργαλείου εξαρτάται από τη σωστή φροντίδα και τον τακτικό καθαρισμό του.

Ο φορτιστής σας δεν χρειάζεται οποιαδήποτε συντήρηση πέραν του τακτικού καθαρισμού.



Προειδοποίηση! Πριν πραγματοποιήσετε κάποια συντήρηση στο εργαλείο, αφαιρέστε την μπαταρία από το εργαλείο. Αποσυνδέστε τον φορτιστή από την πρίζα πριν τον καθαρίσετε.

- Καθαρίζετε τακτικά τις εγκοπές αερισμού του εργαλείου και του φορτιστή με μια μαλακή βούρτσα ή με ένα στεγνό πανί.
- Καθαρίζετε τακτικά το περίβλημα του μοτέρ με ένα ελαφρά υγρό πανί.
Μην χρησιμοποιείτε λιπαντικά υγρά καθαρισμού ή καθαριστικά που περιέχουν διαλυτικά.

Προστασία του περιβάλλοντος



Χωριστή συλλογή. Τα προϊόντα και οι μπαταρίες που επισημαίνονται με αυτό το σύμβολο δεν πρέπει να απορρίπτονται μαζί με τα κανονικά οικιακά απορρίμματα.

Τα προϊόντα και οι μπαταρίες περιέχουν υλικά που μπορούν να ανακτηθούν ή να ανακυκλωθούν ώστε να μειωθούν οι ανάγκες για πρώτες ύλες.

Παρακαλούμε να ανακυκλώνετε τα ηλεκτρικά προϊόντα και τις μπαταρίες σύμφωνα με τους τοπικούς κανονισμούς. Περισσότερες πληροφορίες διατίθενται στον ιστότοπο www.2helpU.com

Τεχνικά χαρακτηριστικά

SFMC650 (H1)		
Τάση	V_{ac}	18
Ταχύτητα χωρίς φορτίο	min^{-1}	0 - 3200
Μήκος διαδρομής	mm	25,4
Μέγιστο βάθος κοπής		
Ξύλο	mm	85
Χάλυβας	mm	10
Αλουμίνιο	mm	25
Βάρος	kg	1,93

Φορτιστής		SFMCB11	SFMCB12	SFMCB14
Τάση εισόδου	V_{ac}	230	230	230
Τάση εξόδου	V_{dc}	18	18	18
Ρεύμα	A	1,25	2	4

Μπαταρία		SFMCB201	SFMCB202	SFMCB204	SFMCB206
Τάση	V_{dc}	18	18	18	18
Χωρητικότητα	Ah	1,5	2,0	4,0	6,0
Τύπος		Ιόντων Λιθίου	Ιόντων Λιθίου	Ιόντων Λιθίου	Ιόντων Λιθίου

Στάθμη ηχητικής πίεσης κατά EN62841: L_{pA} (ηχητική πίεση) 84 dB(A), αβεβαιότητα (K) 5 dB(A)
L_{WA} (ηχητική ισχύς) 95 dB(A), αβεβαιότητα (K) 5 dB(A)
Συνολικές τιμές κραδασμών (διανυσματικό άθροισμα τριών αξόνων) κατά EN62841:
Κοπή σανιδιών ($a_{h, B}$) 4,5 m/s^2 , αβεβαιότητα (K) 1,5 m/s^2
Κοπή μεταλλικών ελασμάτων ($a_{h, M}$) 6,4 m/s^2 , αβεβαιότητα (K) 1,5 m/s^2

Δήλωση συμμόρφωσης EK ΟΔΗΓΙΑ ΠΕΡΙ ΜΗΧΑΝΗΜΑΤΩΝ



SFMC650 Σέγα

H Stanley Fatmax δηλώνει ότι τα προϊόντα αυτά που περιγράφονται στα "τεχνικά χαρακτηριστικά" συμμορφώνονται με τα ακόλουθα:

2006/42/EK, EN62841-1:2015, EN62841-2-11:2016+A1:2020.

Αυτά τα προϊόντα συμμορφώνονται επίσης με την Οδηγία 2014/30/EE και 2011/65/EE. Για περισσότερες πληροφορίες, παρακαλείστε να επικοινωνήσετε με τη Stanley Fatmax στην παρακάτω διεύθυνση ή να ανατρέξετε στο πίσω μέρος του εγχειριδίου.

Ο κάτωθι υπογεγραμμένος είναι υπεύθυνος για την κατάρτιση του τεχνικού φακέλου και δηλώνει τα παρόντα εκ μέρους της Stanley Fatmax.

Patrick Diepenbach

Patrick Diepenbach
Γενικός Διευθυντής, Μπενελούξ
Stanley Fatmax,
Egide Walschaertsstraat 14-18
2800 Mechelen, Belgium (Βέλγιο)
22/07/2022

Εγγύηση

Η STANLEY FATMAX είναι σίγουρη για την ποιότητα των προϊόντων της και προσφέρει στους καταναλωτές εγγύηση 12 μηνών από την ημερομηνία αγοράς. Αυτή η εγγύηση αποτελεί πρόσθετο δικαίωμά σας και δεν ζημιώνει τα νόμιμα δικαιώματά σας. Η εγγύηση ισχύει εντός της επικράτειας των χωρών μελών της Ευρωπαϊκής Ένωσης και της Ευρωπαϊκής Ζώνης Ελεύθερων Συναλλαγών και το Ηνωμένο Βασίλειο. Για να υποβάλετε αξίωση βάσει της εγγύησης, η αξίωση θα πρέπει να είναι σύμφωνη με τους Όρους και τις Προϋποθέσεις της STANLEY FATMAX και θα χρειαστεί να υποβάλετε απόδειξη αγοράς στον πωλητή ή σε εξουσιοδοτημένο αντιπρόσωπο επισκευών.

Μπορείτε να αποκτήσετε τους Όρους και προϋποθέσεις της εγγύησης STANLEY FATMAX 1 έτους και να μάθετε την τοποθεσία του πλησιέστερου εξουσιοδοτημένου αντιπροσώπου επισκευών στο Internet στο www.2helpU.com, ή επικοινωνώντας με το τοπικό σας γραφείο STANLEY FATMAX στη διεύθυνση που υποδεικνύεται στο παρόν εγχειρίδιο.

Επισκεφθείτε τον ιστότοπό μας www.stanleytools.eu/3 για να καταχωρίσετε το καινούργιο προϊόν STANLEY FATMAX που αποκτήσατε και για να λαμβάνετε ενημερώσεις σχετικά με νέα προϊόντα και ειδικές προσφορές.

België/Belgique	Stanley Fat Max E. Walschaertstraat 14-16 2800 Mechelen Belgium	De. Tel. +32 70 220 065 Fr. Tel. +32 70 220 066 Fax +32 15 473 799 www.stanleytools.eu Enduser.be@SBDinc.com
Danmark	Stanley Fat Max Farveland 1B 2600 Glostrup	Tel. 70 20 15 10 Fax 70 22 49 10 www.stanleyworks.dk
Deutschland	Stanley Fat Max Richard Klinger Str. 11, D - 65510 Idstein	Tel. 06126 21-1 Fax 06126 21-2770
Ελλάδα	Stanley Fat Max. Στράβωνος 7 & Λεωφ. Βουλιαγμένης 159 Γλυφάδα 166 74 - Αθήνα	Τηλ. +30 210 8981-616 Φαξ +30 210 8983-285 www.stanleyworks.gr
España	Stanley Fat Max. Parc de Negocis "Mas Blau" Edificio Muntadas, c/Bergadá, 1, Of. A6 08820 El Prat de Llobregat (Barcelona)	Tel. 934 797 400 Fax 934 797 419 respuesta.postventa@sbdinc.com www.stanleyworks.es
France	Stanley Fat Max 5 allée des Hêtres B.P. 30084 69579 Limonest Cédex	Tel. 04 72 20 39 20 Fax 04 72 20 39 00 www.stanleyouillage.fr
Helvetia	Stanley Fat Max In der Luberzen 40 8902 Urdorf	Tel. 01 730 67 47 Fax 01 730 70 67 www.stanleyworks.de
Italia	Stanley Fat Max EnergyPark-Building 03 sud, Via Monza 7/A 20871 Vimercate (MB)	Tel. 039-9590200 Fax 039-9590313 www.stanley.it
Nederland	Stanley Fat Max Joulehof 12, 4600 RG Bergen op Zoom	Tel. +31 164 283 065 Fax +31 164 283 200 Enduser.NL@SBDinc.com
Norge	Stanley Fat Max Postboks 4613, Nydalen 0405 Oslo	Tlf. 45 25 13 00 Fax 45 25 08 00
Österreich	Stanley Fat Max Oberlaaerstraße 248, A-1230 Wien	Tel. 01 66116-0 Fax 01 66116-614 www.stanleyworks.de
Portugal	Stanley Fat Max Centro de Escritórios de Sintra Avenida Almirante Gago Coutinho, 132/134, Edifício 142710-418 Sintra 2710-418 Lisboa	Tel. 214667500 Fax 214667575 resposta.posvenda@sbdinc.com
Suomi	Stanley Fat Max Tekniikantie 12, 02150 Espoo	Puh. 010 400 430 Faksi 0800 411 340 www.stanleyworks.fi
Sverige	Stanley Fat Max Box 94, 431 22 Mölndal	Tel. 031-68 61 00 Fax 031-68 60 08
Türkiye	STANLEY BLACK & DECKER TURKEY ALET ÜRETİM SAN TİC. LTD. ŞTİ. AND Kozyatağı – İçerenköy Mah. Umut Sok. AND Ofis. Sit. No: 10-12/82-83-84 Ataşehir/İstanbul	Tel. +90 216 665 29 00 Fax. +90 216 665 29 01 info-tr@sbdinc.com
United Kingdom	Stanley Fat Max 270 Bath Road Slough, Berkshire SL1 4DX	Tel. +44 (0)1753 511234 Fax +44 (0)1753 551155 www.stanleytools.co.uk
Middle East & Africa	Stanley Fat Max P.O.Box - 17164 Jebel Ali (South Zone), Dubai, UAE	Tel. +971 4 8127400 Fax +971 4 8127036 www.stanleyworks.ae