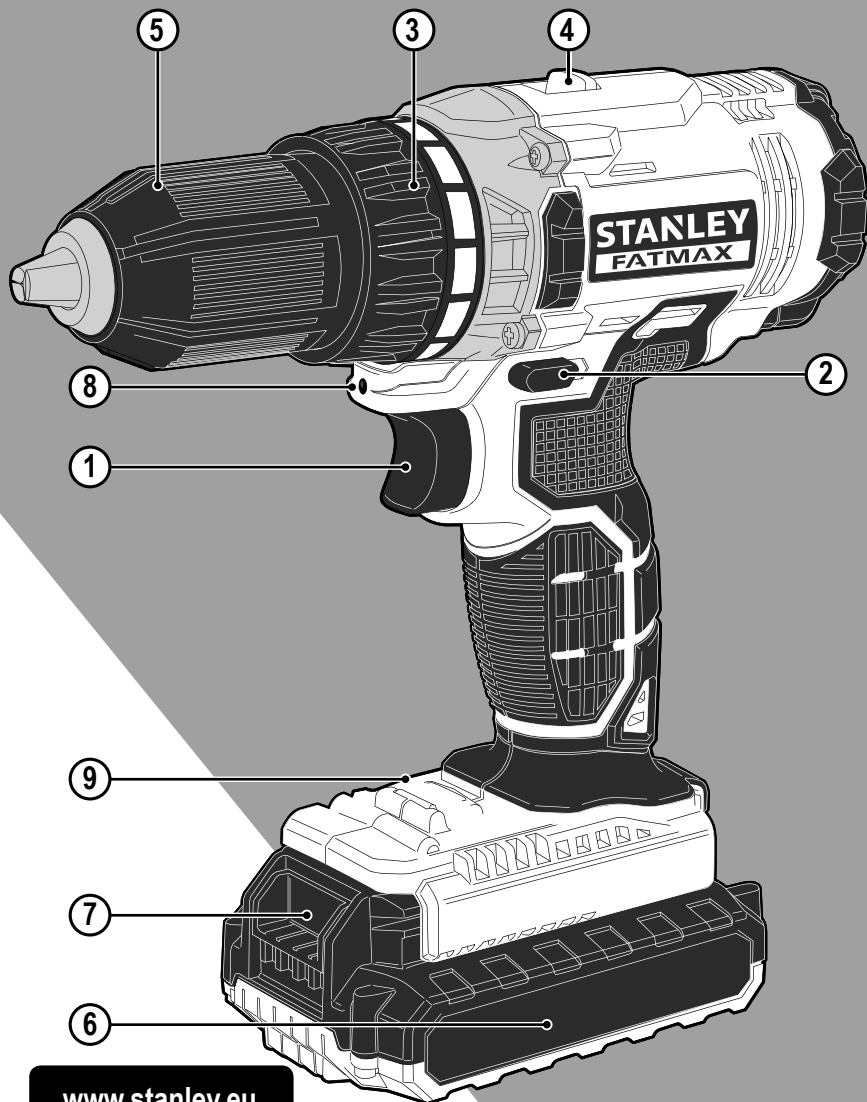


STANLEY[®]

FATMAX[®]

EN

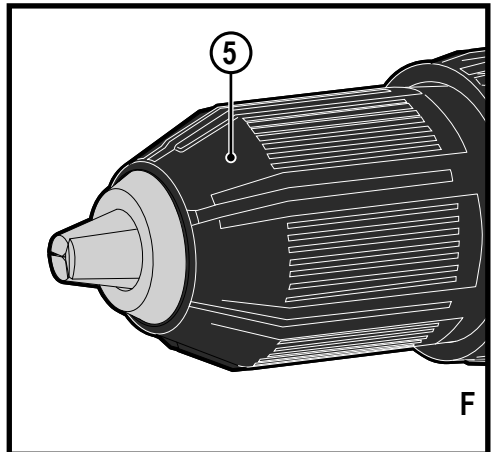
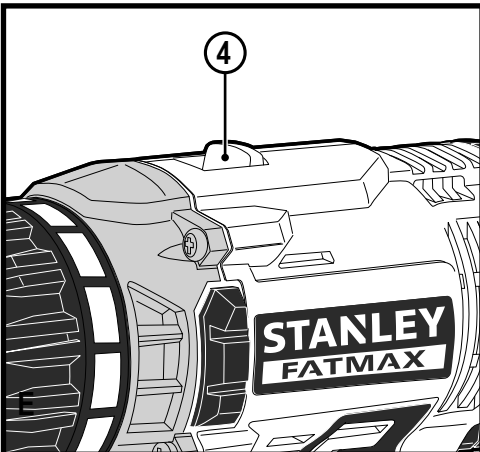
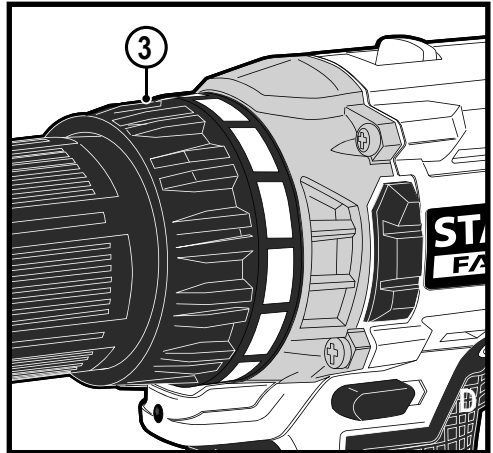
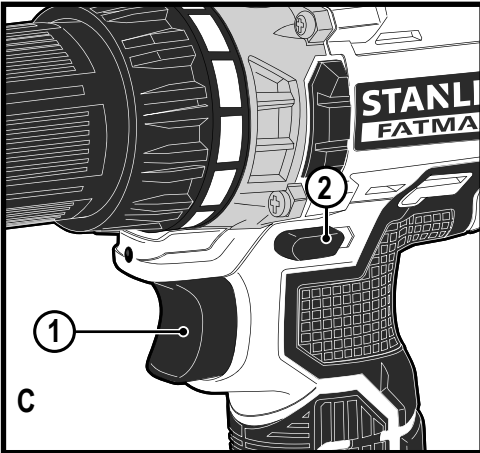
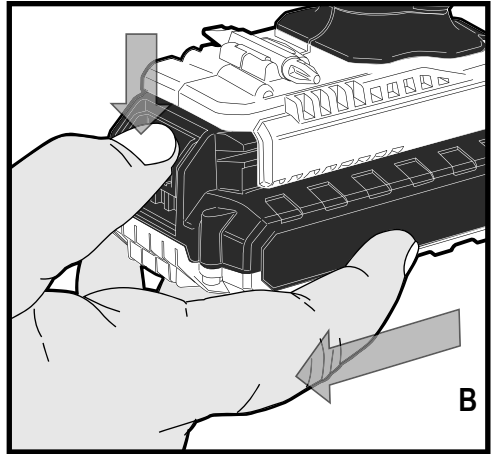
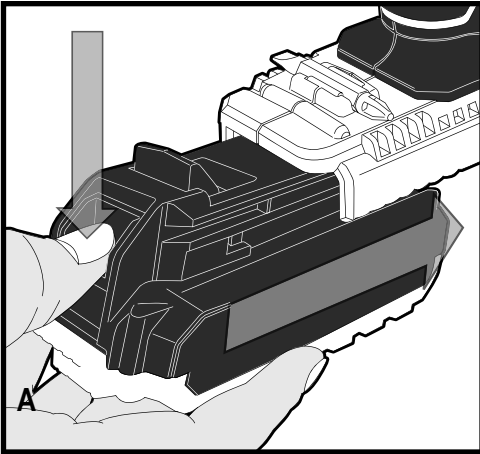
RU



www.stanley.eu

503913 - 59

FMC601



Intended use

Your Stanley Fat Max FMC601 drill/screwdriver has been designed for screwdriving applications and for drilling in wood, metal and plastics. This appliance is intended for professional and private, non professional users.

Safety instructions

General power tool safety warnings



Warning! Read all safety warnings and all instructions. Failure to follow the warnings and instructions listed below may result in electric shock, fire and/or serious injury.

Save all warnings and instructions for future reference.

The term "power tool" in all of the warnings listed below refers to your mains operated (corded) power tool or battery operated (cordless) power tool.

1. Work area safety

- a. **Keep work area clean and well lit.** Cluttered or dark areas invite accidents.
- b. **Do not operate power tools in explosive atmospheres, such as in the presence of flammable liquids, gases or dust.** Power tools create sparks which may ignite the dust or fumes.
- c. **Keep children and bystanders away while operating a power tool.** Distractions can cause you to lose control.

2. Electrical safety

- a. **Power tool plugs must match the outlet. Never modify the plug in any way. Do not use any adapter plugs with earthed (grounded) power tools.** Unmodified plugs and matching outlets will reduce risk of electric shock.
- b. **Avoid body contact with earthed or grounded surfaces such as pipes, radiators, ranges and refrigerators.** There is an increased risk of electric shock if your body is earthed or grounded.
- c. **Do not expose power tools to rain or wet conditions.** Water entering a power tool will increase the risk of electric shock.
- d. **Do not abuse the cord. Never use the cord for carrying, pulling or unplugging the power tool. Keep cord away from heat, oil, sharp edges or moving parts.** Damaged or entangled cords increase the risk of electric shock.
- e. **When operating a power tool outdoors, use an extension cord suitable for outdoor use.** Use of a cord suitable for outdoor use reduces the risk of electric shock.
- f. **If operating a power tool in a damp location is unavoidable, use a residual current device (RCD) protected supply.** Use of an RCD reduces the risk of electric shock.

3. Personal safety

- a. **Stay alert, watch what you are doing and use common sense when operating a power tool. Do not use a power tool while you are tired or under the influence of drugs, alcohol or medication.** A moment of inattention while operating power tools may result in serious personal injury.
- b. **Use personal protective equipment. Always wear eye protection.** Protective equipment such as dust mask, non-skid safety shoes, hard hat, or hearing protection used for appropriate conditions will reduce personal injuries.
- c. **Prevent unintentional starting. Ensure the switch is in the off-position before connecting to power source and/or battery pack, picking up or carrying the tool.** Carrying power tools with your finger on the switch or energising power tools that have the switch on invites accidents.
- d. **Remove any adjusting key or wrench before turning the power tool on.** A wrench or a key left attached to a rotating part of the power tool may result in personal injury.
- e. **Do not overreach. Keep proper footing and balance at all times.** This enables better control of the power tool in unexpected situations.
- f. **Dress properly. Do not wear loose clothing or jewellery. Keep your hair, clothing and gloves away from moving parts.** Loose clothes, jewellery or long hair can be caught in moving parts.
- g. **If devices are provided for the connection of dust extraction and collection facilities, ensure these are connected and properly used.** Use of dust collection can reduce dust-related hazards.

4. Power tool use and care

- a. **Do not force the power tool. Use the correct power tool for your application.** The correct power tool will do the job better and safer at the rate for which it was designed.
- b. **Do not use the power tool if the switch does not turn it on and off.** Any power tool that cannot be controlled with the switch is dangerous and must be repaired.
- c. **Disconnect the plug from the power source and/or the battery pack from the power tool before making any adjustments, changing accessories, or storing power tools.** Such preventive safety measures reduce the risk of starting the power tool accidentally.
- d. **Store idle power tools out of the reach of children and do not allow persons unfamiliar with the power tool or these instructions to operate the power tool.** Power tools are dangerous in the hands of untrained users.
- e. **Maintain power tools. Check for misalignment or binding of moving parts, breakage of parts and any**

other condition that may affect the power tools operation. If damaged, have the power tool repaired before use. Many accidents are caused by poorly maintained power tools.

- f. **Keep cutting tools sharp and clean.** Properly maintained cutting tools with sharp cutting edges are less likely to bind and are easier to control.
 - g. **Use the power tool, accessories and tool bits etc. in accordance with these instructions, taking into account the working conditions and the work to be performed.** Use of the power tool for operations different from those intended could result in a hazardous situation.
5. **Battery tool use and care**
 - a. **Recharge only with the charger specified by the manufacturer.** A charger that is suitable for one type of battery pack may create a risk of fire when used with another battery pack.
 - b. **Use power tools only with specifically designated battery packs.** Use of any other battery packs may create a risk of injury and fire.
 - c. **When battery pack is not in use, keep it away from other metal objects, like paper clips, coins, keys, nails, screws, or other small metal objects, that can make a connection from one terminal to another.** Shorting the battery terminals together may cause burns or a fire.
 - d. **Under abusive conditions, liquid may be ejected from the battery; avoid contact. If contact accidentally occurs, flush with water. If liquid contacts eyes, additionally seek medical help.** Liquid ejected from the battery may cause irritation or burns.
 6. **Service**
 - a. **Have your power tool serviced by a qualified repair person using only identical replacement parts.** This will ensure that the safety of the power tool is maintained.

Additional power tool safety warnings



Warning! Additional safety warnings for drills/screwdrivers

- ◆ **Use auxiliary handles supplied with the tool.** Loss of control can cause personal injury.
- ◆ **Hold power tool by insulated gripping surfaces when performing an operation where the cutting accessory may contact hidden wiring.** Cutting accessory contacting a "live" wire may make exposed metal parts of the power tool "live" and could give the operator an electric shock.
- ◆ **Hold power tool by insulated gripping surfaces, when performing an operation where the fastener may contact hidden wiring.** Fasteners contacting a "live" wire

may make exposed metal parts of the power tool "live" and could give the operator an electric shock.

- ◆ **Use clamps or another practical way to secure and support the workpiece to a stable platform.** Holding the work by hand or against your body leaves it unstable and may lead to loss of control.
- ◆ Before drilling into walls, floors or ceilings, check for the location of wiring and pipes.
- ◆ Avoid touching the tip of a drill bit just after drilling, as it may be hot.
- ◆ The intended use is described in this instruction manual. The use of any accessory or attachment or performance of any operation with this tool other than those recommended in this instruction manual may present a risk of personal injury and/or damage to property.

Safety of others

- ◆ This tool is not intended for use by persons (including children) with reduced physical, sensory or mental capabilities, or lack of experience and knowledge, unless they have been given supervision or instruction concerning use of the tool by a person responsible for their safety.
- ◆ Children should be supervised to ensure that they do not play with the appliance.

Residual risks

Additional residual risks may arise when using the tool which may not be included in the enclosed safety warnings. These risks can arise from misuse, prolonged use etc.

Even with the application of the relevant safety regulations and the implementation of safety devices, certain residual risks can not be avoided. These include:

- ◆ Injuries caused by touching any rotating/moving parts.
- ◆ Injuries caused when changing any parts, blades or accessories.
- ◆ Injuries caused by prolonged use of a tool. When using any tool for prolonged periods ensure you take regular breaks.
- ◆ Impairment of hearing.
- ◆ Health hazards caused by breathing dust developed when using your tool (example:- working with wood, especially oak, beech and MDF.)

Vibration

The declared vibration emission values stated in the technical data and the declaration of conformity have been measured in accordance with a standard test method provided by EN 60745 and may be used for comparing one tool with another. The declared vibration emission value may also be used in a preliminary assessment of exposure.

Warning! The vibration emission value during actual use of the power tool can differ from the declared value depending on the ways in which the tool is used. The vibration level may increase above the level stated.

When assessing vibration exposure to determine safety measures required by 2002/44/EC to protect persons regularly using power tools in employment, an estimation of vibration exposure should consider, the actual conditions of use and the way the tool is used, including taking account of all parts of the operating cycle such as the times when the tool is switched off and when it is running idle in addition to the trigger time.

Labels on tool

The following symbols are shown on the tool along with the date code:



Warning! To reduce the risk of injury, the user must read the instruction manual.

Additional safety instructions for batteries and chargers (Not provided with the tool)

Batteries

- ◆ Never attempt to open for any reason.
- ◆ Do not expose the battery to water.
- ◆ Do not store in locations where the temperature may exceed 40 °C.
- ◆ Charge only at ambient temperatures between 10 °C and 40 °C.
- ◆ Charge only using the charger provided with the tool.
- ◆ When disposing of batteries, follow the instructions given in the section "Protecting the environment".



Do not attempt to charge damaged batteries.

Chargers

- ◆ Use your Stanley Fat Max charger only to charge the battery in the tool with which it was supplied. Other batteries could burst, causing personal injury and damage.
- ◆ Never attempt to charge non-rechargeable batteries.
- ◆ Have defective cords replaced immediately.
- ◆ Do not expose the charger to water.
- ◆ Do not open the charger.
- ◆ Do not probe the charger.



The charger is intended for indoor use only.



Read the instruction manual before use.

Electrical safety



Your charger is double insulated; therefore no earth wire is required. Always check that the mains voltage corresponds to the voltage on the rating plate. Never attempt to replace the charger unit with a regular mains plug.

- ◆ If the supply cord is damaged, it must be replaced by the manufacturer or an authorised Stanley Fat Max Service Centre in order to avoid a hazard.

Features

This appliance includes some or all of the following features.

1. Trigger Switch
2. Forward/Reverse Button
3. Torque Adjust Collar
4. Dual Range Gear Selector
5. Keyless Chuck
6. Battery
7. Battery Release Button
8. LED Work Light
9. Bit Tip Holder

Use

Warning! Let the tool work at its own pace. Do not overload.

Charging the battery

The battery needs to be charged before first use and whenever it fails to produce sufficient power on jobs that were easily done before. The battery may become warm while charging; this is normal and does not indicate a problem.

Warning! Do not charge the battery at ambient temperatures below 10 °C or above 40 °C. Recommended charging temperature: approx. 24 °C.

Note: The charger will not charge a battery if the cell temperature is below approximately 10 °C or above 40 °C.

The battery should be left in the charger and the charger will begin to charge automatically when the cell temperature warms up or cools down.

- ◆ Plug the charger into an appropriate outlet before inserting the battery pack.
- ◆ Insert the battery pack into the charger.



The green LED will flash indicating that the battery is being charged.



The completion of charge is indicated by the green LED remaining on continuously. The pack is fully charged and may be used at this time or left in the charger

Warning! Recharge discharged batteries as soon as possible after use or battery life may be greatly diminished.

Charger diagnostics

This charger is designed to detect certain problems that can arise with the battery packs or the power source. Problems are indicated by one LED flashing in different patterns.

Bad Battery



The charger can detect a weak or damaged battery. The red LED flashes in the pattern indicated on the label. If you see this bad battery blink pattern, do not continue to charge the battery. Return it to a service centre or a collection site for recycling

Hot/Cold Pack Delay



When the charger detects a battery that is excessively hot or excessively cold, it automatically starts a Hot/Cold Pack delay, suspending charging until the battery has normalised. After this happens, the charger automatically switches to the Pack Charging mode. This feature ensures maximum battery life. The red LED flashes in the pattern indicated on the label when the Hot/Cold pack delay is detected.

Problem Power Line



When the charger is used with some portable power sources such as generators or sources that convert DC to AC, the charger may temporarily suspend operation. The LED flashes in the pattern indicated on the label. This indicates that the power source is out of limits.

Leaving the battery in the charger

The charger and battery pack can be left connected with the LED glowing indefinitely. The charger will keep the battery pack fresh and fully charged.

Important charging Notes

- ◆ Longest life and best performance can be obtained if the battery pack is charged when the air temperature is between 65°F and 75°F (18° - 24°C). DO NOT charge the battery pack in an air temperature below +40°F (+4.5°C), or above +105°F (+40.5°C). This is important and will prevent serious damage to the battery pack.
- ◆ The charger and battery pack may become warm to touch while charging. This is a normal condition, and does not indicate a problem. To facilitate the cooling of the battery pack after use, avoid placing the charger or battery pack in a warm environment such as in a metal shed, or an uninsulated trailer.
- ◆ If the battery pack does not charge properly:
 - ◆ Check current at receptacle by plugging in a lamp or other appliance.
 - ◆ Check to see if receptacle is connected to a light switch which turns power off when you turn out the lights.
 - ◆ Move charger and battery pack to a location where the surrounding air temperature is approximately 65°F - 75°F (18° - 24°C). d. If charging problems persist, take the tool, battery pack and charger to your local Stanley Fat Max service center.
- ◆ The battery pack should be recharged when it fails to produce sufficient power on jobs which were easily done previously.
- ◆ DO NOT CONTINUE to use under these conditions. Follow the charging procedure.
- ◆ You may also charge a partially used pack whenever you desire with no adverse affect on the battery pack.

Installing and Removing the Battery Pack from the tool

Warning! Make certain the lock-off button is engaged to prevent switch actuation before removing or installing battery.

To install battery pack

- ◆ Insert battery pack firmly into tool until an audible click is heard as shown in figure A. Ensure battery pack is fully seated and fully latched into position.

To remove battery pack

- ◆ Depress the battery release button (7) as shown in figure B and pull battery pack out of tool.

Trigger switch & forward/reverse button - figure C

- ◆ The drill is turned ON and OFF by pulling and releasing the trigger switch (1) shown in figure C. The farther the

trigger is depressed, the higher the speed of the drill.

- ◆ A forward/reverse control button (2) determines the rotational direction of the tool and also serves as a lock off button.
- ◆ To select forward rotation, release the trigger switch and depress the forward/reverse control button on the right side of the tool.
- ◆ To select reverse, depress the forward/reverse control button on the left side of the tool.
- ◆ The center position of the control button locks the tool in the off position. When changing the position of the control button, be sure the trigger is released.

Adjusting torque control - figure D

This tool is fitted with a torque adjustment collar (3) to select the operating mode and to set the torque for tightening screws. Large screws and hard workpiece materials require a higher torque setting than small screws and soft workpiece materials.

- ◆ For drilling in wood, metal and plastics, set the collar to the drilling position symbol.
- ◆ For screwdriving, set the collar to the desired setting. If you do not yet know the appropriate setting, proceed as follows:
 - ◆ Set the collar to the lowest torque setting.
 - ◆ Tighten the first screw.
 - ◆ If the clutch ratchets before the desired result is achieved, increase the collar setting and continue tightening the screw.
 - ◆ Repeat until you reach the correct setting.
 - ◆ Use this setting for the remaining screws.

Dual range switch - figure E

The dual range feature of your drill allows you to shift gears for greater versatility.

- ◆ To select low speed, high torque setting (position 1), turn tool off and permit to stop. Slide gear shifter button (4) away from the chuck.
- ◆ To select the high speed, low torque setting (position 2), turn tool off and permit to stop. Slide gear shifter button back toward the chuck.

Note: Do not change gears when tool is running. If you are having trouble changing gears, make sure that the dual range gear button is either completely pushed forward or completely pushed back.

keyless chuck - figure F

Warning! Make certain the battery pack is removed to prevent tool actuation before installing or removing accessories.

To insert a drill bit or other accessory:

- ◆ Grasp the chuck (5) and rotate it in the counterclockwise direction, as viewed from the chuck end.
- ◆ Insert the bit or other accessory fully into the chuck, and

tighten securely by rotating the chuck in the clockwise direction as viewed from the chuck end.

Warning! Do not attempt to tighten or loosen drill bits (or any other accessory) by gripping the front part of the chuck and turning the tool on. Damage to the chuck and personal injury may occur when changing accessories.

Screw driving

- ◆ For driving fasteners, the forward/reverse button should be pushed to the left.
- ◆ Use reverse (button pushed to the right) for removing fasteners.

Note: When moving from forward to reverse, or vice versa, always release the trigger switch first.

Drilling

- ◆ Use sharp drill bits only.
- ◆ Support and secure work properly, as instructed in the Safety Instructions.
- ◆ Use appropriate and required safety equipment, as instructed in the Safety Instructions.
- ◆ Secure and maintain work area, as instructed in the Safety Instructions.
- ◆ Run the drill very slowly, using light pressure, until the hole is started enough to keep the drill bit from slipping out of it.
- ◆ Apply pressure in a straight line with the bit. Use enough pressure to keep the bit biting but not so much as to stall the motor or deflect the bit.
- ◆ Hold the drill firmly with two hands, one hand on the handle, and the other gripping the bottom around the battery area or the auxiliary handle if provided.
- ◆ **DO NOT CLICK THE TRIGGER OF A STALLED DRILL OFF AND ON IN AN ATTEMPT TO START IT. DAMAGE TO THE DRILL CAN RESULT.**
- ◆ Minimize stalling on breakthrough by reducing pressure and slowly drilling through the last part of the hole.
- ◆ Keep the motor running while pulling the bit out of a drilled hole. This will help reduce jamming.
- ◆ Make sure switch turns drill on and off.

Drilling in wood

Holes in wood can be made with the same twist drill bits used for metal or with spade bits. These bits should be sharp and should be pulled out frequently when drilling to clear chips from the flutes.

Drilling in metal

Use a cutting lubricant when drilling metals. The exceptions are cast iron and brass which should be drilled dry. The cutting lubricants that work best are sulphurized cutting oil.

LED work light

When drill is activated by pulling the trigger switch (1), the integrated LED work light (8) will automatically illuminate the work area.

Note: The work light is for lighting the immediate work surface and is not intended to be used as a flashlight.

Bit tip storage

A bit storage slot (9) is built into the base of the tool.

Troubleshooting

Problem	Possible cause	Possible solution
Unit will not start.	Battery pack not installed properly. Battery pack not charged.	Check battery pack installation. Check battery pack charging requirements
Unit starts immediately upon inserting battery	The switch has been left in the "on" position.	The switch must be moved to "off" to prevent the tool from immediately starting when battery is inserted.
Battery pack will not charge.	Battery pack not inserted into charger. Charger not plugged in. Surrounding air temperature too hot or too cold.	Insert battery pack into charger until LED lights. Plug charger into a working outlet. Move charger and battery pack to a surrounding air temperature of above 40 degrees F (45°C) or below 105 degrees F (+40.5°C)
Unit shuts off abruptly.	Battery pack has reached its maximum thermal limit. Out of charge. (To maximize the life of the battery pack it is designed to shutoff abruptly when the charge is depleted)	Allow battery pack to cool down. Place on charger and allow to charge.

Maintenance

Your Stanley Fat Max tool has been designed to operate over a long period of time with a minimum of maintenance. Continuous satisfactory operation depends upon proper tool care and regular cleaning.

Your charger does not require any maintenance apart from regular cleaning.

Warning! Before performing any maintenance on the tool, remove the battery from the tool. Unplug the charger before cleaning it.

- ◆ Regularly clean the ventilation slots in your tool and charger using a soft brush or dry cloth.

- ◆ Regularly clean the motor housing using a damp cloth. Do not use any abrasive or solvent-based cleaner.
- ◆ Regularly open the chuck and tap it to remove any dust from the interior.

Protecting the environment



Separate collection. This product must not be disposed of with normal household waste.

Should you find one day that your Stanley Fat Max product needs replacement, or if it is of no further use to you, do not dispose of it with household waste. Make this product available for separate collection.



Separate collection of used products and packaging allows materials to be recycled and used again. Re-use of recycled materials helps prevent environmental pollution and reduces the demand for raw materials.

Local regulations may provide for separate collection of electrical products from the household, at municipal waste sites or by the retailer when you purchase a new product.

Stanley Fat Max provides a facility for the collection and recycling of Stanley Fat Max products once they have reached the end of their working life. To take advantage of this service please return your product to any authorised repair agent who will collect them on our behalf.

You can check the location of your nearest authorised repair agent by contacting your local Stanley Fat Max office at the address indicated in this manual. Alternatively, a list of authorised Stanley Fat Max repair agents and full details of our after-sales service and contacts are available on the Internet at: www.2helpU.com

Batteries



There are no user serviceable parts inside.

- ◆ At the end of your products life return the whole unit to your service agent or to a local recycling station to have the battery recycled. Do not throw the unit out with household waste.

Technical data

		FMC601
Voltage	V_{DC}	18V
No-load speed	Min^{-1}	0-350/0-1500
Max. torque	Nm	47
Chuck capacity	mm	13
Max Drilling capacity		
Steel/wood	mm	13/35
Weight	kg	1.2

Charger	905998**	906086**
Input voltage	V_{AC} 230	230
Output voltage	V_{DC} 18	18
Current	mA 1000	2000
Approx. charge time	Mins 80-240	40-120

Battery	FMC685L	FMC687L	FM-C684L
Voltage	V_{AC} 18	18	18
Capacity	Ah 1.5	2.0	1.3
Type	Li-Ion	Li-Ion	Li-Ion

Level of sound pressure according to EN 60745:

Sound pressure (L_{pA}) 71.5 dB(A), uncertainty (K) 3 dB(A)Sound power (L_{WA}) 82.5 dB(A), uncertainty (K) 3 dB(A)

Vibration total values (triax vector sum) according to EN 60745:

Drilling into metal ($a_{h,D}$) <3.5 m/s^2 , uncertainty (K) 1.5 m/s^2 Screwdriving without impact (a_h) <1.0 m/s^2 , uncertainty (K) 1.5 m/s^2

EC declaration of conformity

MACHINERY DIRECTIVE



FMC601 - Drill, Screwdriver

Stanley Fat Max declares that these products described under "technical data" are in compliance with: 2006/42/EC, EN60745-1:2009+A11:2010 EN60745-2-1:2010 EN60745-2-2:2010

These products also comply with Directive 2004/108/EC (until 19/04/2016) 2014/30/EU (from 20/04/2016) and 2011/65/EU.

For more information, please contact Stanley Fat Max at the following address or refer to the back of the manual.

The undersigned is responsible for compilation of the technical file and makes this declaration on behalf of Stanley Fat Max.

R. Laverick
Engineering Manager
Stanley Fat Max Europe, 210 Bath Road, Slough,
Berkshire, SL1 3YD
United Kingdom
25/09/2019

Guarantee

Stanley Fat Max is confident of the quality of its products and offers an outstanding guarantee for professional users of the product. This guarantee statement is in addition to and in no way prejudices your contractual rights as a private non-professional user. The guarantee is valid within the territories of the Member States of the European Union and the European Free Trade Area.

ONE-YEAR FULL WARRANTY

If your Stanley Fat Max product becomes defective due to faulty materials or workmanship within 12 months from the date of purchase, Stanley Fat Max guarantees to replace all defective parts free of charge or – at our discretion – replace the unit free of charge provided that:

- ◆ The product has not been misused and has been used in accordance with the instruction manual.
- ◆ The product has been subject to fair wear and tear;
- ◆ Repairs have not been attempted by unauthorised persons;
- ◆ Proof of purchase is produced.
- ◆ The Stanley Fat Max product is returned complete with all original components.

If you wish to make a claim, contact your seller or check the location of your nearest authorised Stanley Fat Max repair agent in the Stanley Fat Max catalogue or contact your local Stanley office at the address indicated in this manual. A list of authorised Stanley Fat Max repair agents and full details of our after sales service is available on the internet at: www.stanley.eu/3

Назначение

Ваша дрель/шуруповерт Stanley Fat Max FMC601 разработана для работ по заворачиванию и сверлению в дереве, металле и пластике. Данный инструмент предназначен для профессионального использования, а также для бытового использования частными пользователями.

Правила техники безопасности

Общие правила безопасности при работе с электроинструментом



Осторожно! Полностью прочтите инструкции по технике безопасности и все руководства по эксплуатации. Несоблюдение представленных ниже предупреждений и инструкций может привести к поражению электрическим током, возгоранию и/или тяжелым травмам.

Сохраните все инструкции для последующего обращения к ним.

Термин «электроинструмент» во всех приведенных ниже предупреждениях относится к питаемому от электросети (проводному) или от аккумуляторных батарей (беспроводному) электроинструменту.

1. Безопасность на рабочем месте

- a. **Содержите рабочее место в чистоте и обеспечьте его хорошую освещенность.** Плохое освещение или беспорядок на рабочем месте может привести к несчастному случаю.
- b. **Не используйте электроинструмент во взрывоопасной атмосфере, например, при наличии горючих жидкостей, газов или пыли.** Искры, которые появляются при работе электроинструмента, могут привести к воспламенению пыли или паров.
- c. **Не разрешайте детям и посторонним лицам находиться рядом с вами при работе с электроинструментом.** Отвлекаясь от работы, вы можете потерять контроль над инструментом.

2. Электробезопасность

- a. **Сетевые вилки электроинструмента должны соответствовать розеткам. Никогда не меняйте вилку инструмента. Запрещается использовать переходники к вилкам для электроинструментов с заземлением.** Использование оригинальных штепсельных вилок, соответствующих типу сетевой розетки, снижает риск поражения электрическим током.

- b. **Следует избегать контакта с заземленными поверхностями, такими как трубы, радиаторы, батареи и холодильники.** Если вы будете заземлены, увеличивается риск поражения электрическим током.
 - c. **Не допускайте нахождения электроинструментов под дождем или в условиях повышенной влажности.** При попадании воды в электроинструмент риск поражения электротоком возрастает.
 - d. **Бережно обращайтесь с кабелем питания. Никогда не используйте кабель для переноски инструмента, не тяните за него, пытайтесь отключить инструмент от сети. Держите кабель подальше от источников тепла, масла, острых углов или движущихся предметов.** Поврежденный или запутанный кабель питания повышает риск поражения электротоком.
 - e. **При работе с электроинструментом вне помещения необходимо пользоваться удлинителем, рассчитанным на эксплуатацию в соответствующих условиях.** Использование кабеля питания, предназначенного для использования вне помещения, снижает риск поражения электрическим током.
 - f. **При необходимости эксплуатации электроинструмента в местах с повышенной влажностью используйте устройство защиты от токов замыкания на землю (УЗО).** Использование УЗО сокращает риск поражения электрическим током.
3. **Обеспечение индивидуальной безопасности**
 - a. **При работе с электроинструментом сохраняйте бдительность, следите за своими действиями и пользуйтесь здравым смыслом. Не работайте с электроинструментом, если вы устали, находитесь в состоянии наркотического, алкогольного опьянения или под воздействием лекарственных препаратов.** Невнимательность при работе с электроинструментом может привести к серьезным телесным повреждениям.
 - b. **Используйте средства индивидуальной защиты. Всегда используйте защитные очки.** Средства защиты, такие как пылезащитная маска, обувь на нескользящей подошве, каска и защитные наушники, используемые при работе, уменьшают риск получения травм.
 - c. **Примите меры для предотвращения случайного включения. Перед тем как подключить электроинструмент к сети и/или аккумуляторной батарее, возьмите инструмент или перенесите его на другое место, убедитесь в том, что выключатель находится в положении «Выкл.». Если при переноске электроинструмента он подключен к сети,**

и при этом ваш палец находится на выключателе, это может стать причиной несчастных случаев.

- d. **Уберите все регулировочные или гаечные ключи перед включением электроинструмента.** Ключ, оставленный на вращающейся части электроинструмента, может привести к травме.
- e. **Не пытайтесь дотянуться до слишком удаленных поверхностей. Обувь должна быть удобной, чтобы вы всегда могли сохранять равновесие.** Это позволит лучше контролировать электроинструмент в непредвиденных ситуациях.
- f. **Надевайте подходящую одежду. Избегайте носить свободную одежду и ювелирные украшения.** Следите за тем, чтобы волосы, одежда и перчатки не попадали под движущиеся детали. Возможно наматывание свободной одежды, ювелирных изделий и длинных волос на движущиеся детали.
- g. **При наличии устройств для подключения оборудования для удаления и сбора пыли необходимо обеспечить правильность их подключения и эксплуатации.** Использование устройства для пылеудаления сокращает риски, связанные с пылью.
4. **Эксплуатация электроинструмента и уход за ним**
 - a. **Избегайте чрезмерной нагрузки электроинструмента. Используйте электроинструмент в соответствии с назначением.** Правильно подобранный электроинструмент выполнит работу более эффективно и безопасно при стандартной нагрузке.
 - b. **Не используйте электроинструмент, если не работает его выключатель.** Любой электроинструмент, управляемый выключением и включением которого невозможно, опасен, и его необходимо отремонтировать.
 - c. **Перед выполнением любой регулировки, заменой дополнительных приспособлений или хранением электроинструмента отключите устройство от сети или извлеките батарею из устройства.** Такие превентивные меры безопасности сокращают риск случайного включения электроинструмента.
 - d. **Храните электроинструмент в недоступном для детей месте и не позволяйте работать с инструментом людям, не имеющим соответствующих навыков работы с такого рода инструментами.** Электроинструмент представляет опасность в руках неопытных пользователей.
 - e. **Проводите обслуживание электроинструментов.** Проверьте движущиеся детали на точность совмещения или заклинивание, поломку либо какие-либо другие условия, которые могут повлиять на эксплуатацию электроинструмента.

В случае обнаружения повреждений, прежде чем приступить к эксплуатации электроинструмента, его нужно отремонтировать. Большинство несчастных случаев происходит из-за электроинструментов, которые не обслуживаются должным образом.

- f. **Необходимо содержать режущий инструмент в остро заточенном и чистом состоянии.** Вероятность заклинивания инструмента, за которым следят должным образом и который хорошо заточен, значительно меньше, а работать с ним легче.
- g. **Используйте данный электроинструмент, а также дополнительные приспособления и насадки в соответствии с данными инструкциями и с учетом условий и специфики работы.** Использование электроинструмента для выполнения операций, для которых он не предназначен, может привести к созданию опасных ситуаций.
5. **Использование аккумуляторных электроинструментов и уход за ними**
 - a. **Используйте для зарядки аккумуляторной батареи только указанное производителем зарядное устройство.** Использование зарядного устройства определенного типа для зарядки других батарей может привести к возгоранию.
 - b. **Используйте для электроинструмента только батареи указанного типа.** Использование других аккумуляторных батарей может стать причиной травмы и возгорания.
 - c. **Избегайте попадания внутрь батареи скрепок, монет, ключей, гвоздей, болтов или других мелких металлических предметов, которые могут вызывать замыкание ее контактов.** Короткое замыкание контактов батареи может привести к возгоранию или получению ожогов.
 - d. **При повреждении батареи, из нее может вытечь электролит; избегайте контакта с ним. При случайном контакте с электролитом смойте его водой. При попадании электролита в глаза обратитесь за медицинской помощью.** Жидкость, находящаяся внутри батареи, может вызвать раздражение или ожоги.
 6. **Обслуживание**
 - a. **Обслуживание электроинструмента должно выполняться только квалифицированным техническим персоналом.** Это позволит обеспечить безопасность обслуживаемого электроинструмента.

Дополнительные правила безопасности при работе с электроинструментом



Осторожно! Дополнительные правила техники безопасности при использовании дрелей/шуруповертов

- ◆ **Пользуйтесь дополнительными рукоятками, входящими в комплект поставки инструмента.** Потеря контроля может привести к травме.
- ◆ **Удерживайте инструмент за изолированные поверхности захватывания при выполнении работ, во время которых имеется вероятность контакта насадки со скрытой электропроводкой.** Если вы держитесь за металлические детали инструмента в случае контакта с находящимся под напряжением проводом, возможно поражение электрическим током.
- ◆ **Удерживайте инструмент за изолированные поверхности захватывания при выполнении работ, во время которых имеется вероятность контакта крепежного элемента со скрытой электропроводкой.** Если вы держитесь за металлические детали инструмента, в случае соприкосновения с находящимся под напряжением провода возможно поражение оператора электрическим током.
- ◆ **Используйте зажимы или другие уместные средства фиксации обрабатываемой детали на стабильной опоре.** Если держать обрабатываемую деталь руками или с упором в собственное тело, то можно потерять контроль над инструментом или обрабатываемой деталью.
- ◆ Перед тем как сверлить отверстия в стенах, полах или потолках проверьте места прохождения проводки и трубопровода.
- ◆ Избегайте касания к кончику сверла сразу после работы, он может сильно нагреваться.
- ◆ Назначение инструмента описывается в данном руководстве по эксплуатации. Применение любых принадлежностей и приспособлений, а также выполнение любых операций помимо тех, которые рекомендованы данным руководством, может привести к травме.

Безопасность окружающих

- ◆ Данный инструмент не предназначен для использования лицами (включая детей) с ограниченными физическими, сенсорными или умственными способностями, а также лицами без достаточного опыта и знаний, если они не находятся под наблюдением лица, отвечающего за их безопасность, или не получают от такого лица указания по использованию инструмента.
- ◆ Не позволяйте детям играть с данным инструментом.

Остаточные риски

При работе данным инструментом возможно возникновение дополнительных остаточных рисков, которые не вошли в описанные здесь правила техники безопасности. Эти риски могут возникнуть при неправильном или продолжительном использовании изделия и т.п.

Несмотря на соблюдение соответствующих инструкций по технике безопасности и использование предохранительных устройств, некоторые остаточные риски невозможно полностью исключить. К ним относятся:

- ◆ Травмы в результате касания вращающихся/движущихся частей.
- ◆ Травмы, которые могут произойти в результате смены деталей, лезвий или аксессуаров.
- ◆ Травмы, связанные с продолжительным использованием инструмента. При использовании любого инструмента в течение продолжительного периода времени не забывайте делать перерывы.
- ◆ Ухудшение слуха.
- ◆ Ущерб здоровью в результате вдыхания пыли в процессе работы с инструментом (например, при обработке древесины, в особенности, дуба, бука и ДВП.)

Вибрация

Заявленные значения вибрации указанные в технических спецификациях и заявлении о соответствии были измерены в соответствии с стандартным методом тестирования EN 60745 и могут быть использованы для сравнения инструментов. Заявленное значение эмиссии вибрации также может использоваться при предварительной оценке ее воздействия.

Осторожно! Значение эмиссии вибрации в каждом конкретном случае применения электроинструмента может отличаться от заявленного в зависимости от того, каким образом используется инструмент. Уровень вибрации может быть выше заявленного.

При оценке уровня вибрации для определения степени безопасности, предусмотренного 2002/44/ЕС для защиты людей, регулярно пользующихся электроинструментом при работе, нужно принимать во внимание уровень вибрации, реальные условия использования и способ использования инструмента, а также учитывать все этапы цикла работы (когда инструмент выключается, когда он работает на холостом ходу, а также время переключения с одного режима на другой).

Маркировка инструмента

Помимо кода даты на инструменте имеются следующие знаки:



Осторожно! Во избежание риска получения травм, прочтите руководство по эксплуатации.

Дополнительные правила техники безопасности для аккумуляторных батарей и зарядных устройств (Не входят в комплект поставки инструмента)

Батареи

- ◆ Никогда не пытайтесь разобрать аккумуляторные батареи.
- ◆ Не подвергайте аккумуляторные батареи воздействию воды.
- ◆ Не оставляйте в местах, где температура превышает 40 °С.
- ◆ Заряжайте только при температуре 10–40 °С.
- ◆ Заряжайте аккумуляторные только с зарядным устройством, которое прилагается к инструменту.
- ◆ При утилизации батарей следуйте инструкциям, указанным в разделе «Защита окружающей среды».



Не пытайтесь заряжать поврежденные аккумуляторные батареи.

Зарядные устройства

- ◆ Используйте свое зарядное устройство Stanley Fat Max только для зарядки аккумуляторной батареи инструмента, с которым оно поставлялось. Использование аккумуляторных батарей другого типа может привести к взрыву, травмам и повреждениям.
- ◆ Не пытайтесь заряжать одноразовые батареи.
- ◆ Немедленно заменяйте поврежденный кабель питания.
- ◆ Не подвергайте зарядное устройство воздействию воды.
- ◆ Не вскрывайте зарядное устройство.
- ◆ Запрещается проводить испытания с зарядным устройством.



Зарядное устройство можно использовать только в помещении.



Перед началом работы прочтите руководство по эксплуатации.

Электробезопасность



Ваше зарядное устройство имеет двойную изоляцию, поэтому не требует заземления. Необходимо обязательно убедиться в том, что напряжение источника питания соответствует указанному на паспортной табличке устройства. Никогда не пытайтесь заменить зарядное устройство обычной сетевой розеткой.

- ◆ Если поврежден сетевой кабель, его нужно заменить у производителя или в авторизованном сервисном центре Stanley Fat Max, чтобы избежать проблем.

Составные части

Ваш инструмент может содержать все или некоторые из перечисленных ниже составных частей.

1. Курковый пусковой выключатель
2. Кнопка переключения направления вращения
3. Муфта установки крутящего момента
4. Переключатель скоростей
5. Бесключевой патрон
6. Аккумуляторная батарея
7. Отпирающая кнопка аккумулятора
8. Светодиодная подсветка
9. Держатель насадки

Использование

Осторожно! Инструмент должен работать в обычном режиме.

Избегайте перегрузок.

Зарядка аккумуляторной батареи

Аккумуляторную батарею нужно заряжать перед первым использованием и каждый раз, когда заряда недостаточно для выполняемых работ. Во время зарядки аккумуляторная батарея нагревается. Это нормальная ситуация, которая не указывает на неисправность.

Осторожно! Не заряжайте батарею при температуре окружающей среды ниже 10 °С или выше 40 °С.

Рекомендуемая температура при зарядке: приблизительно 24 °С.

Примечание: Зарядное устройство не будет заряжать аккумулятор, если температура элемента ниже 10 °С или выше 40 °С.

Аккумуляторную батарею нужно оставить в зарядном устройстве; зарядка начнется автоматически, когда температура элемента аккумуляторной батареи выровняется до нормальных значений.

- ◆ Перед установкой батареи подключите зарядное устройство к соответствующей розетке.
- ◆ Вставьте батарею в зарядное устройство.



Зеленый светодиод начнет мигать, что означает начало зарядки батареи.



По окончании зарядки, зеленый светодиод начнет гореть непрерывно. Теперь батарея полностью заряжена, и ее можно использовать или оставить в зарядном устройстве.

Осторожно! Заряжайте разряженные аккумуляторные батареи сразу же после использования, в противном случае вы значительно сократите срок службы аккумуляторных батарей.

Диагностика зарядного устройства

Это зарядное устройство может диагностировать некоторые проблемы аккумуляторных батарей или источника питания. При обнаружении проблем начинает мигать светодиодный индикатор.

Неисправная аккумуляторная батарея



Зарядное устройство может указать на неисправность аккумуляторной батареи. Красный светодиодный индикатор начнет мигать, как указано на маркировке. Если вы увидите, что индикатор мигает как указано на маркировке, прекратите зарядку аккумуляторной батареи. Отнесите неисправную аккумуляторную батарею в сервисный центр или в специализированный центр для утилизации.

Температурная задержка



При слишком низкой или слишком высокой температуре аккумуляторной батареи зарядное устройство автоматически переходит в режим температурной задержки. При этом зарядка не начинается, пока температура аккумуляторной батареи не нормализуется. После того, как аккумуляторная батарея приобретет нормальную температуру, автоматически включается режим зарядки. Данная функция обеспечивает максимальный срок эксплуатации аккумуляторной батареи. В режиме температурной задержки начинает мигать красный индикатор, как указано на маркировке.

Проблемы электросети



Когда зарядное устройство используется с портативными источниками питания, такими как генераторы или источники, преобразующие прямой ток в переменный, то зарядное устройство может временно прекратить работу. Светодиодный индикатор начнет мигать, как указано на маркировке. Это означает, что источник питания недоступен.

Хранение аккумуляторной батареи в зарядном устройстве

Зарядное устройство и аккумуляторную батарею можно оставить подключенными к сети с горящим светодиодным индикатором. Зарядное устройство будет поддерживать полную зарядку аккумуляторной батареи.

Важные замечания по зарядке

- ◆ Максимального срока службы и наилучшей эффективности можно достичь, если аккумуляторная батарея заряжается при температуре 18–24 °С. НЕ ЗАРЯЖАЙТЕ аккумуляторную батарею при температуре ниже +4,5°С, или выше +40,5°С. Это очень важно и позволит избежать серьезных повреждений аккумуляторной батареи.
- ◆ При зарядке зарядное устройство и аккумуляторные батареи могут нагреваться. Это нормальное явление, которое не является неисправностью. Чтобы охладить аккумуляторные батареи после использования, не оставляйте зарядное устройство и аккумуляторные батареи в теплом месте, например железном ангаре или неизолированном трейлере.
- ◆ Если батарея не заряжается:
 - ◆ Проверьте исправность розетки, включив в нее лампу или другое устройство.
 - ◆ Проверьте, не подключена ли розетка к устройству, которое выключает питание, когда вы выключаете свет.
 - ◆ Переместите зарядное устройство и аккумуляторную батарею в место, где температура окружающего воздуха составляет примерно 18–24 °С. Если проблемы с зарядкой продолжают, отнесите инструмент, аккумуляторную батарею и зарядное устройство в ближайший сервисный центр Stanley Fat Max.
 - ◆ Аккумуляторную батарею необходимо перезарядить, когда она перестает обеспечивать питание, необходимое для выполнения работ, которые ранее выполнялись без каких-либо проблем.

- ◆ ПРЕКРАТИТЕ ИСПОЛЬЗОВАНИЕ аккумуляторных батарей в этих случаях. Соблюдайте правила зарядки аккумуляторной батареи.
- ◆ Частично разряженную аккумуляторную батарею можно зарядить в любое время без какого-либо ущерба для нее.

Установка и извлечение аккумуляторной батареи из инструмента

Осторожно! Убедитесь, нажата ли кнопка блокировки, чтобы исключить вероятность срабатывания выключателя при извлечении или установке батареи.

Установка батареи

- ◆ Крепко вставьте аккумуляторную батарею в инструмент до щелчка, как показано на Рисунке А. Убедитесь, что батарея полностью вошла и зафиксирована на месте.

Извлечение аккумуляторной батареи

- ◆ Нажмите на отпирющую кнопку (7), как показано на Рисунке В, и извлеките аккумуляторную батарею из инструмента.

Курковый пусковой выключатель и кнопка переключения направления вращения – рисунок С

- ◆ Дрель включается и выключается нажатием и отпусанием куркового пускового выключателя (1), как показано на Рисунке С. Чем сильнее нажат выключатель, тем выше скорость дрели.
- ◆ Кнопка переключения направления вращения (2) определяет направление вращения инструмента, а также используется для блокировки инструмента.
- ◆ Для установки вращения по часовой стрелке отпустите курковый пусковой выключатель и нажмите на кнопку переключения направления вращения с правой стороны инструмента.
- ◆ Для установки реверсивного направления вращения нажмите на кнопку переключения направления вращения с левой стороны инструмента.
- ◆ Центральное положение кнопки переключения направления вращения блокирует инструмент в выключенном состоянии. При изменении положения кнопки переключения направления вращения курковый пусковой выключатель должен быть отпущен.

Регулировка крутящего момента – рисунок D

Данный инструмент оборудован муфтой установки крутящего момента (3), позволяющей выбрать режим работы и настроить крутящий момент для заворачивания шурупов. Для больших шурупов и жестких рабочих материалов требуется больший крутящий момент, чем

для маленьких шурупов и мягких материалов.

- ◆ Для сверления отверстий в дереве, металле и пластике, установите муфту патрона в положение сверления, отмеченное соответствующим символом.
- ◆ Для заворачивания установите муфту в нужное положение настройки.
Если вы не уверены в нужном значении, сделайте следующее:
 - ◆ Установите муфту на самое малое значение вращающего момента.
 - ◆ Затяните первый шуруп.
 - ◆ Если муфта затрещит до того, как вы добьетесь нужного результата, увеличьте значения настроек и продолжите затягивать шуруп.
 - ◆ Повторяйте до тех пор, пока не найдете нужные значения настроек.
 - ◆ Используйте эти настройки для остальных шурупов.

Переключатель скоростей – рисунок E

Двухскоростной редуктор вашего инструмента позволяет легко переключаться с одной скорости на другую для максимальной универсальности применения инструмента.

- ◆ Для работы на низкой скорости с высоким крутящим моментом (позиция 1), выключите инструмент и дождитесь его остановки. Сдвиньте переключатель скоростей (4) назад от патрона.
- ◆ Для работы на высокой скорости с низким крутящим моментом (позиция 2), выключите инструмент и дождитесь его остановки. Сдвиньте переключатель скоростей обратно к патрону.

Примечание: Не переключайте скорости на работающем инструменте. В случае затрудненного переключения скоростей, убедитесь в том, что переключатель сдвинут до упора вперед либо назад.

Бесключевой патрон – рисунок F

Осторожно! Убедитесь в том, что аккумуляторная батарея извлечена из инструмента, чтобы исключить вероятность срабатывания инструмента при снятии или установке дополнительных принадлежностей.

Чтобы вставить насадку или другую принадлежность:

- ◆ Возьмитесь за патрон (5) и поворачивайте его против часовой стрелки, если смотреть с конца патрона.
- ◆ Полностью вставьте насадку или другую принадлежность в патрон и надежно затяните, поворачивая патрон против часовой стрелки, смотря со стороны конца патрона.

Осторожно! Не пытайтесь затягивать или ослаблять насадки (или любую другую принадлежность), удерживая патрон и включая инструмент. При смене принадлежностей можно повредить патрон и получить травму.

Заворачивание

- ◆ Для заворачивания крепежных элементов, кнопка переключения направления вращения должна быть нажата влево.
- ◆ Для извлечения крепежных элементов используйте направление против часовой стрелки (кнопка, нажатая вправо).

Примечание: При переключении вращения

с направления по часовой стрелке на направление против часовой стрелки или наоборот, всегда сначала отпустите курковый пусковой выключатель.

Сверление

- ◆ Используйте только хорошо заточенные насадки.
- ◆ Работайте только с надежно установленными и закрепленными заготовками, как указано в правилах техники безопасности.
- ◆ Используйте соответствующие и необходимые средства индивидуальной защиты, как указано в правилах техники безопасности.
- ◆ Содержите рабочее место в чистоте и порядке, как указано в правилах техники безопасности.
- ◆ Вводите дрель очень медленно, с приложением небольшого усилия до тех пор, пока просверленное отверстие не будет достаточно большим, чтобы предотвратить выскальзывание насадки.
- ◆ Прилагайте усилие параллельно насадке. Прилагайте усилия, достаточные для работы насадки, но не прилагайте чрезмерных усилий во избежание остановки двигателя или деформации насадки.
- ◆ Крепко удерживайте дрель двумя руками, одной рукой на рукоятке и другой рукой за нижнюю часть корпуса рядом с батарейным отсеком или на дополнительной рукоятке, если таковая имеется.
- ◆ **ПРИ ВНЕЗАПНОМ ОСТАНОВЕ НЕ ПЫТАЙТЕСЬ ЗАПУСТИТЬ ДВИГАТЕЛЬ МНОГОКРАТНЫМ НАЖАТИЕМ НА КУРКОВЫЙ ПУСКОВОЙ ВЫКЛЮЧАТЕЛЬ. ЭТО МОЖЕТ ПОВРЕДИТЬ ДРЕЛЬ.**
- ◆ Для сведения к минимуму риска внезапного останова ослабьте прилагаемое давление и медленно закончите высверливание отверстия.
- ◆ Не выключайте двигатель при извлечении насадки из высверленного отверстия. Это поможет уменьшить риск ее зажатия.
- ◆ Убедитесь, что инструмент включается и выключается при нажатии и отпуске пускового выключателя.

Сверление древесины

Для высверливания отверстий в древесине можно использовать те же спиральные сверла, что и для металла или перовые сверла. Данные сверла должны быть острыми и часто выниматься при сверлении для очистки кромок канавок от щепок.

Сверление металла

При сверлении металла используйте смазочно-охлаждающую жидкость. Исключение составляют чугун и латунь – их следует сверлить сухими. Наилучшим вариантом смазочной жидкости для сверления является сульфированная смазочно-охлаждающая жидкость.

Светодиодная подсветка

При включении дрели нажатием на пусковой выключатель (1), встроенная светодиодная рабочая подсветка (8) автоматически подсветит область работы.

Примечание: Подсветка предназначена для освещения рабочей поверхности и не может использоваться в качестве фонаря.

Хранение насадок

В основание инструмента встроен паз для насадок (9).

Неисправности и способы их устранения

Неисправность	Возможная причина	Возможное решение
Инструмент не включается.	Аккумуляторная батарея установлена неправильно. Аккумуляторная батарея разряжена.	Проверьте правильность установки аккумуляторной батареи. Проверьте требования по зарядке аккумуляторной батареи.
Инструмент включается сразу после установки аккумуляторной батареи	Пусковой выключатель оставлен в положении включения.	Выключатель следует установить в положении выключения, чтобы предотвратить немедленный запуск инструмента после установки батареи.
Аккумуляторная батарея не заряжается.	Аккумуляторная батарея не вставлена в зарядное устройство. Зарядное устройство не подключено к сети. Температура окружающей среды слишком высокая или слишком низкая.	Вставьте аккумуляторную батарею в зарядное устройство так, чтобы заределся светодиод. Подключите зарядное устройство к рабочей розетке. Переместите зарядное устройство и аккумуляторную батарею в место с температурой выше 4,5°C или ниже +40,5°C

Неисправность	Возможная причина	Возможное решение
Устройство внезапно выключается.	<p>Аккумуляторная батарея нагрелась до предельно допустимой температуры.</p> <p>Аккумуляторная батарея разряжена. (Чтобы увеличить срок службы аккумуляторной батареи, ее конструкция предусматривает отключение после разрядки.)</p>	<p>Позвольте аккумуляторной батарее остыть.</p> <p>Установите в зарядное устройство и позвольте зарядиться.</p>

Техническое обслуживание

Электроинструмент Stanley Fat Max имеет длительный срок эксплуатации и требует минимальных затрат на техобслуживание. Для длительной безотказной работы необходимо обеспечить правильный уход за инструментом и его регулярную очистку.

Зарядное устройство не требует никакого обслуживания кроме регулярной чистки.

Осторожно! Перед выполнением любых работ по обслуживанию инструмента, извлекайте аккумуляторную батарею из инструмента. Перед чисткой зарядного устройства отключите его от питания.

- ◆ Регулярно очищайте вентиляционные отверстия вашего инструмента и зарядного устройства мягкой щеткой или сухой тканью.
- ◆ Регулярно очищайте корпус двигателя влажной тканью.
Не используйте никакие абразивные чистящие средства или средства на основе растворителей.
- ◆ Регулярно раскрывайте патрон и вытряхивайте из него всю накопившуюся пыль.

Защита окружающей среды



Отдельная утилизация. Это изделие нельзя утилизировать с обычными бытовыми отходами.

Если инструмент Stanley Fat Max потребует замены или станет не нужен, не утилизируйте его вместе с бытовыми отходами. Утилизацию этого продукта нужно производить в пунктах раздельного сбора мусора.



Система раздельного сбора отработавших изделий и упаковочных материалов позволяет перерабатывать их и использовать повторно. Повторное использование переработанных материалов помогает защитить окружающую среду от загрязнения и сокращает потребность в сырье.

Местные нормативы могут предусматривать утилизацию электропроводов отдельно от бытовых отходов на муниципальных свалках или их возврат продавцу при покупке нового устройства.

Stanley Fat Max осуществляет прием и переработку изделий Stanley Fat Max по окончании срока их службы. Чтобы воспользоваться этой услугой, верните изделие любому уполномоченному специалисту по ремонту, который осуществляет их сбор от нашего лица.

Адрес ближайшего уполномоченного специалиста по ремонту можно получить, обратившись в местное представительство компании Stanley Fat Max по адресу, указанному в настоящем руководстве. Кроме того, список уполномоченных специалистов по ремонту Stanley Fat Max и подробную информацию о послепродажном обслуживании и контактах можно найти в интернете по адресу: www.2helpU.com

Батареи



Внутри нет деталей для обслуживания пользователем.

- ◆ В конце срока службы изделие верните изделие агенту по обслуживанию или сдайте в местный пункт переработки для переработки батареи. Не выбрасывайте изделие вместе с бытовыми отходами.

Технические характеристики

FMC601		
Напряжение	V _{пост. тока}	18 В
Скорость без нагрузки	Мин ¹	0-350/0-1500
Макс. крутящий момент	Нм	47
Внутренний размер сверлильного патрона	мм	13
Максимальный диаметр сверления		
Сталь/дерево	мм	13/35
Вес	кг	1,2

Зарядное устройство	905998**	906086**	
Входное напряжение	V _{перем. тока}	230	230
Выходное напряжение	V _{пост. тока}	18	18
Ток	мА	1000	2000
Приблизительное время зарядки	Мин.	80-240	40-120

Аккумуляторная батарея	FMC685L	FMC687L	FMC684L	
Напряжение	V _{перем. тока}	18	18	18
Емкость	Ач	1,5	2,0	1,3
Тип	Ионно-литиевая	Ионно-литиевая	Ионно-литиевая	

Уровень звукового давления в соответствии с EN 60745:

Звуковое давление (L_{pA}) 71,5 дБ(А), погрешность (К) 3 дБ(А)Акустическая мощность (L_{WA}) 82,5 дБ(А), погрешность (К) 3 дБ(А)

Сумма величин вибрации (сумма векторов по трем осям), измеренных в соответствии со стандартом EN 60745:

Сверление в металле ($a_{h,D}$) <3,5 м/с², погрешность (К) 1,5 м/с²Заворачивание без удара ($a_{h,v}$) <1,0 м/с², погрешность (К) 1,5 м/с²Заявление о соответствии нормам ЕС
ДИРЕКТИВА ПО МЕХАНИЧЕСКОМУ ОБОРУДОВАНИЮ

FMC601 – Дрель/шуруповерт

Stanley Fat Max заявляет, что продукция, описанная в разделе «Технические характеристики» соответствует: 2006/42/EC, EN60745-1:2009+A11:2010 EN60745-2-1:2010 EN60745-2-2:2010

Эти продукты также соответствуют Директивам 2004/108/EC (до 19/04/2016) 2014/30/EU (от 20/04/2016) и 2011/65/EU.

За дополнительной информацией обращайтесь в компанию Stanley Fat Max по адресу, указанному ниже или приведенному на задней стороне обложки руководства.

Нижеподписавший несет ответственность за составление технической документации и составил данную декларацию по поручению компании Stanley Fat Max.

Р. Лейверик (R. Laverick)
Менеджер по производству
Stanley Fat Max Europe, 210 Bath Road, Slough,
Berkshire, SL1 3YD
United Kingdom
25/09/2019

Гарантия

Stanley Fat Max уверены в качестве своих продуктов и предлагает замечательную гарантию для пользователей продукта. Это заявление о гарантии дополнительное и ни в коей мере не причиняет вред Вашим договорным и юридическим правам. Гарантия действует на территории стран-участниц ЕС и в Европейской зоне свободной торговли.

ПОЛНАЯ ГОДОВАЯ ГАРАНТИЯ

Если продукт Stanley Fat Max оказался дефектным в результате использования недоброкачественных материалов или качества выполнения работ в течение 12 месяцев с даты покупки, Stanley Fat Max гарантирует замену всех неисправных деталей бесплатно или - по нашему усмотрению – замену устройства бесплатно, при условии что:

- ◆ Продукт не использовали не по назначению и с нарушением инструкций руководство по эксплуатации.
- ◆ Продукт имеет следы нормального износа;
- ◆ Не предпринимались попытки ремонта неуполномоченными лицами;
- ◆ Предоставлено свидетельство покупки.
- ◆ Изделие Stanley Fat Max возвращено в полной комплектации со всеми исходными компонентами.

Для подачи требования обратитесь к продавцу, уточните местонахождения ближайшего уполномоченного специалиста по ремонту Stanley Fat Max в каталоге Stanley Fat Max или обратитесь в местный офис Stanley по адресу, указанному в данном руководстве. Список уполномоченных специалистов по ремонту Stanley Fat Max и подробную информацию о послепродажном обслуживании можно найти в интернете по адресу: www.stanley.eu/3



STANLEY

ГАРАНТИЙНЫЙ ТАЛОН

2 ГОДА
ГАРАНТИИ

1. Поздравляем Вас с покупкой высококачественного изделия STANLEY и выражаем признательность за Ваш выбор.
2. При покупке изделия требуйте проверки его комплектности и исправности в Вашем присутствии, инструкцию по эксплуатации и заполненный Гарантийный талон на русском языке. В гарантийном талоне должны быть внесены: модель, дата продажи, серийный номер, дата производства инструмента; название, печать и подпись торговой организации. При отсутствии у Вас правильно заполненного Гарантийного талона, а также несоответствия указанных в нем данных, мы будем вынуждены отклонить Ваши претензии по качеству данного изделия.
3. Во избежание недоразумений, убедительно просим Вас перед началом работы с изделием внимательно ознакомиться с инструкцией по его эксплуатации. Правовой основой настоящих гарантийных условий является действующее Законодательство. Гарантийный срок на данное изделие составляет 24 месяцев и исчисляется со дня продажи. В случае устаревания недостатков изделия, гарантийный срок продлевается на период его нахождения в ремонте. Срок службы изделия составляет 5 лет со дня продажи.
4. В случае возникновения каких-либо проблем в процессе эксплуатации изделия рекомендуем Вам обращаться только в уполномоченные сервисные центры STANLEY, адреса и телефоны которых Вы сможете найти на сайте www.2helpU.com или узнать в магазине. Наши сервисные станции - это не только квалифицированный ремонт, но и широкий ассортимент запчастей и принадлежностей.
5. Производитель рекомендует проводить периодическую проверку и техническое обслуживание изделия в уполномоченных сервисных центрах.
6. Наши гарантийные обязательства распространяются только на неисправности, выявленные в течение гарантийного срока и вызванные дефектами производства и / или материалов.
7. Гарантийные условия не распространяются на неисправности изделия, возникшие в результате:
 - 7.1. Несоблюдения пользователем предписаний инструкции по эксплуатации изделия, применения изделия не по назначению, неправильном хранении, использования принадлежностей, расходных материалов и запчастей, не предусмотренных производителем.
 - 7.2. Механического повреждения (сколы, трещины и разрушения) внутренних и внешних деталей изделия, основных и вспомогательных рукояток, сетевого электрического кабеля, вызванного внешним ударным или любым иным воздействием.
 - 7.3. Попадания в вентиляционные отверстия и проникновение внутрь изделия посторонних предметов, материалов или веществ, не являющихся отходами, сопровождающими применение изделия по назначению, такими как: стружка, опилки, песок, и пр.
 - 7.4. Воздействий на изделие неблагоприятных атмосферных и иных внешних факторов, таких как дождь, снег, повышенная влажность, нагрев, агрессивные среды, несоответствие параметров питающей электросети, указанных на инструменте.
 - 7.5. Стихийного бедствия. Повреждение или утрата изделия, связанное с непредвиденными бедствиями, стихийными явлениями, в том числе вследствие действия непреодолимой силы (пожар, молния, потоп и другие природные явления), а также вследствие перепадов напряжения в электросети и других причин, которые находятся вне контроля производителя.
8. Гарантийные условия не распространяются:
 - 8.1. На инструменты, подвергавшиеся вскрытию, ремонту или модификации вне уполномоченного сервисного центра.
 - 8.2. На детали и узлы, имеющие следы естественного износа, такие как: приводные ремни и колеса, угольные щетки, смазка, подшипники, зубчатое зацепление редукторов, резиновые уплотнения, сальники, направляющие ролики, муфты сцепления, бойки, толкатели, стволы, и т.п.
 - 8.3. На сменные и расходные части: цанги, зажимные гайки и фланцы, фильтры, ножи, шлифовальные подошвы, цепи, звездочки, пильные шины, защитные кожухи, пилки, абразивы, пильные и абразивные диски, фрезы, сверла, буры и т.п.
 - 8.4. На неисправности, возникшие в результате перегрузки инструмента (как механической, так и электрической), повлекшей выход из строя одновременно двух и более деталей и узлов, таких как ротора и статора, обеих обмоток статора, ведомой и ведущей шестерни редуктора или других узлов и деталей. К безусловным признакам перегрузки изделия относятся, помимо прочего: появление цветов побежалости, деформация или оплавление деталей и узлов изделия, потемнение или обугливание изоляции проводов электродвигателя под воздействием высокой температуры.

Товар получен в исправном состоянии, без видимых повреждений, в полной комплектации, проверен в моем присутствии, претензий по качеству товара не имею. С условиями гарантийного обслуживания ознакомлен и согласен.

Ф. И. О. и подпись покупателя _____

Уважаемые клиенты, наша сеть авторизованных сервисных центров постоянно расширяется. Актуальную информацию об обслуживании в интересующем вас городе вы можете узнать на сайте

www.2helpU.com

Информация об инструменте

Наименование инструмента	
Модель	
Наименование продавца	
Дата продажи	

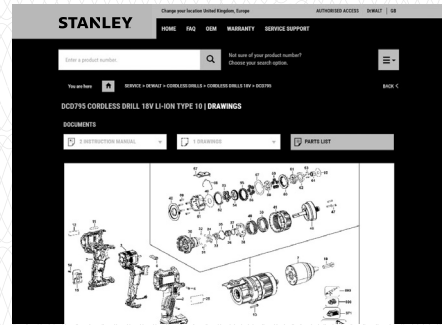
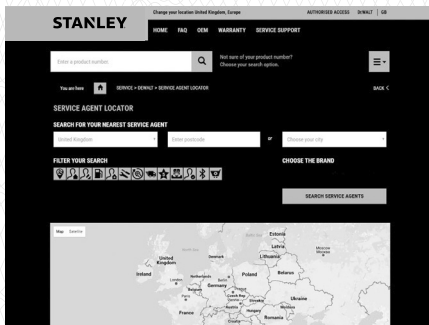
Серийный номер / Дата производства

Инструмент	
Зарядное устройство	
Аккумулятор 1	
Аккумулятор 2	

М.П.
Продавца

На сайте www.2helpU.com доступны следующие функции:

- Список авторизованных сервисных центров
- Удобный поиск ближайшего сервисного центра
- Руководство по эксплуатации
- Технические характеристики
- Список деталей и запасных частей
- Схема сборки инструмента



Также данную информацию вы можете получить, позвонив по телефону:

8(800) 1000 876

ОТМЕТКА О ПРОВЕДЕНИИ СЕРВИСНОГО ОБСЛУЖИВАНИЯ

№1	№2	№3	№4
№ заказа	№ заказа	№ заказа	№ заказа
Дата поступления	Дата поступления	Дата поступления	Дата поступления
Дата ремонта	Дата ремонта	Дата ремонта	Дата ремонта
Печать и подпись сервисного центра	Печать и подпись сервисного центра	Печать и подпись сервисного центра	Печать и подпись сервисного центра