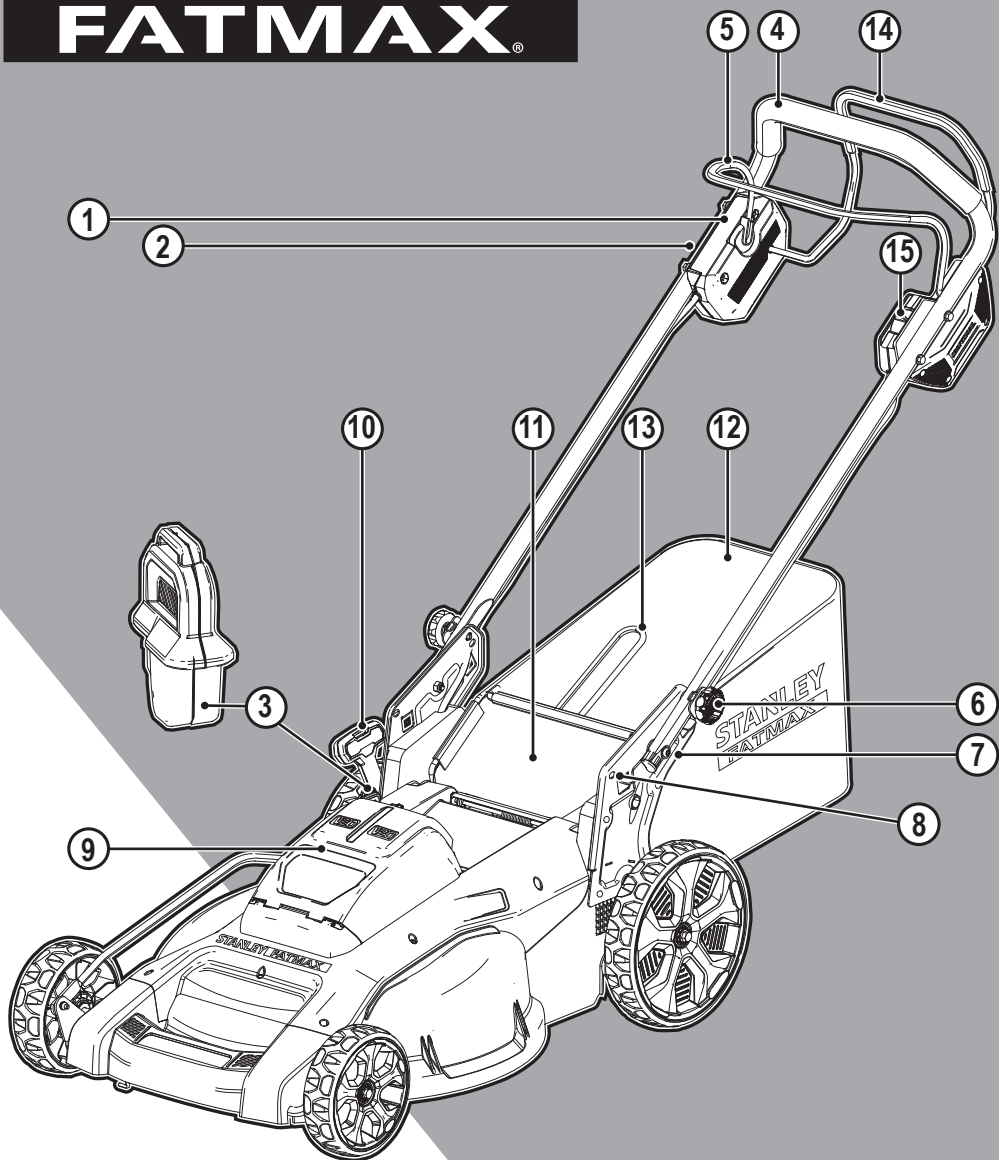


# STANLEY<sup>®</sup>

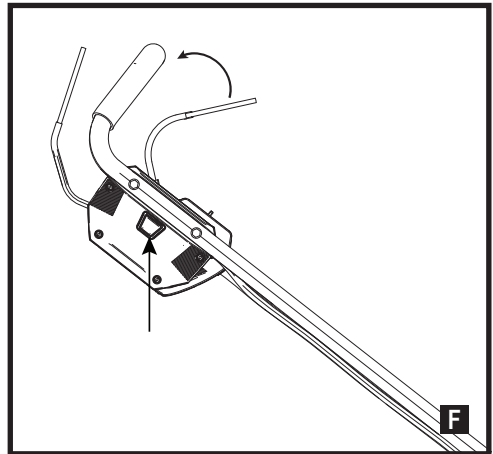
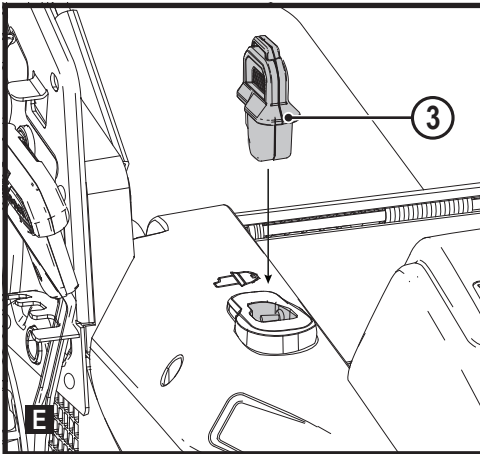
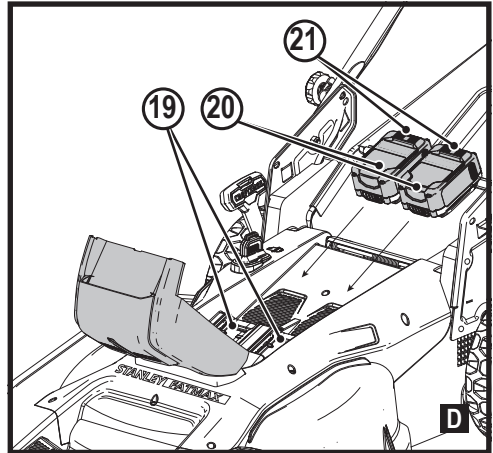
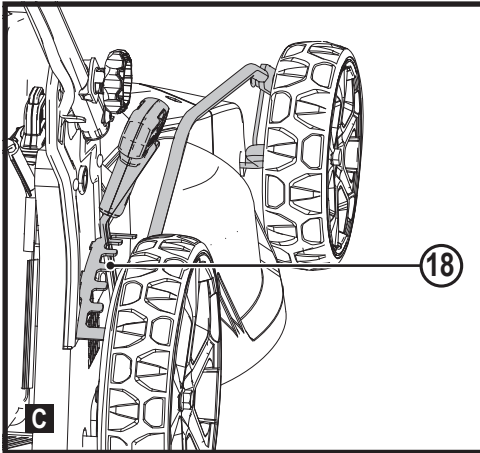
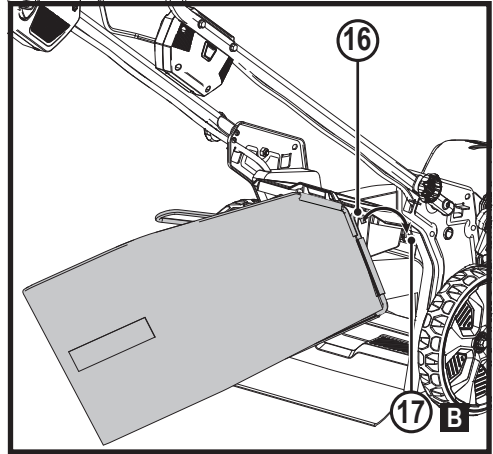
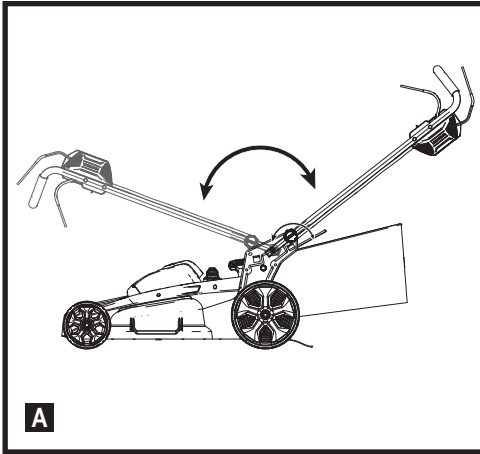
## FATMAX<sup>®</sup>

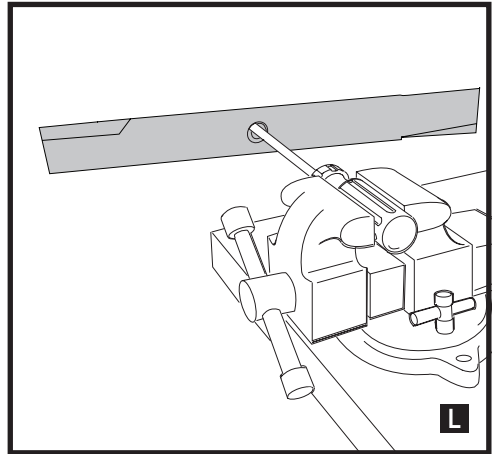
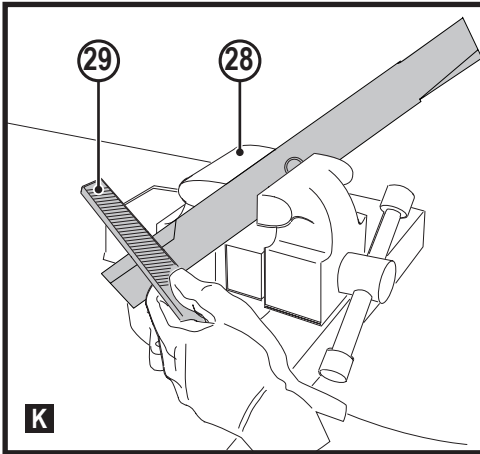
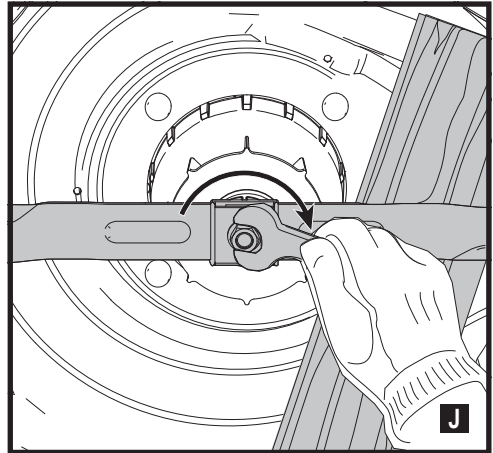
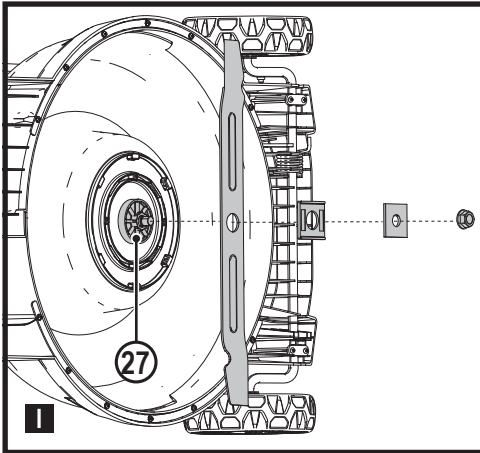
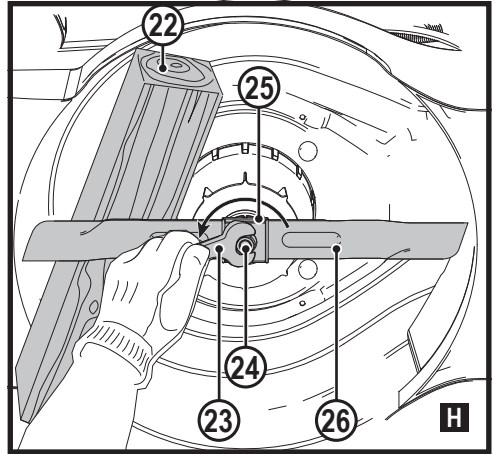
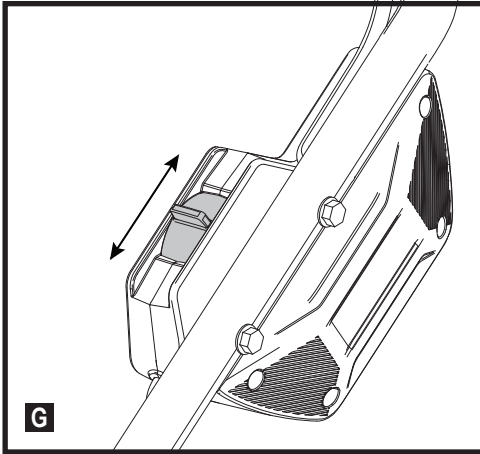


[www.stanley.gb](http://www.stanley.gb)

SFMCMWS251







## INTENDED USE

Your STANLEY FATMAX SFMCMWS251 lawn mower has been designed for mowing grass. This appliance is intended for consumer use only.

## Safety instructions

### General power tool safety warnings



**Warning! Read all safety warnings, instructions, illustrations and specifications provided with this power tool.** Failure to follow all instructions listed below may result in electric shock, fire and/or serious injury.

### Save all warnings and instructions for future reference.

The term "power tool" in the warnings refers to your mains-operated (corded) power tool or battery-operated (cordless) power tool.

**Warning!** When using cordless appliances, basic safety precautions, including the following, should always be followed to reduce the risk of fire, electric shock, personal injury and material damage.

**Warning!** When using the machine the safety rules must be followed.

For your own safety and bystanders please read these instructions before operating the machine. Please keep the instructions safe for later use.

- Read all of this manual carefully before operating the appliance.
- The intended use is described in this manual. The use of any accessory or attachment or the performance of any operation with this appliance other than those recommended in this instruction manual may present a risk of personal injury.
- Retain this manual for future reference.

### 1. Work area safety

- a. **Keep work area clean and well lit.** Cluttered or dark areas invite accidents.
- b. **Do not operate power tools in explosive atmospheres, such as in the presence of flammable liquids, gases or dust.** Power tools create sparks which may ignite the dust or fumes.
- c. **Keep children and bystanders away while operating a power tool.** Distractions can cause you to lose control.

### 2. Electrical safety

- a. **Power tool plugs must match the outlet. Never modify the plug in any way. Do not use any adapter plugs with earthed (grounded) power tools.** Unmodified plugs and matching outlets will reduce risk of electric shock.

- b. **Avoid body contact with earthed or grounded surfaces such as pipes, radiators, ranges and refrigerators.** There is an increased risk of electric shock if your body is earthed or grounded.
- c. **Do not expose power tools to rain or wet conditions.** Water entering a power tool will increase the risk of electric shock.
- d. **Do not abuse the cord. Never use the cord for carrying, pulling or unplugging the power tool. Keep cord away from heat, oil, sharp edges or moving parts.** Damaged or entangled cords increase the risk of electric shock.
- e. **When operating a power tool outdoors, use an extension cord suitable for outdoor use.** Use of a cord suitable for outdoor use reduces the risk of electric shock.
- f. **If operating a power tool in a damp location is unavoidable, use a residual current device (RCD) protected supply.** Use of an RCD reduces the risk of electric shock.

### 3. Personal safety

- a. **Stay alert, watch what you are doing and use common sense when operating a power tool. Do not use a power tool while you are tired or under the influence of drugs, alcohol or medication.** A moment of inattention while operating power tools may result in serious personal injury.
- b. **Use personal protective equipment.** Always wear eye protection. Protective equipment such as a dust mask, non-skid safety shoes, hard hat, or hearing protection used for appropriate conditions will reduce personal injuries.
- c. **Prevent unintentional starting. Ensure the switch is in the off-position before connecting to power source and/or battery pack, picking up or carrying the tool.** Carrying power tools with your finger on the switch or energising power tools that have the switch on invites accidents.
- d. **Remove any adjusting key or wrench before turning the power tool on.** A wrench or a key left attached to a rotating part of the power tool may result in personal injury.
- e. **Do not overreach. Keep proper footing and balance at all times.** This enables better control of the power tool in unexpected situations.
- f. **Dress properly. Do not wear loose clothing or jewellery. Keep your hair, clothing away from moving parts.** Loose clothes, jewellery or long hair can be caught in moving parts.
- g. **If devices are provided for the connection of dust extraction and collection facilities, ensure these are connected and properly used.** Use of dust collection can reduce dust-related hazards.
- h. **Do not let familiarity gained from frequent use of tools allow you to become complacent and ignore**

**tool safety principles.** A careless action can cause severe injury within a fraction of a second.

#### 4. Power tool use and care

- a. **Do not force the power tool. Use the correct power tool for your application.**  
The correct power tool will do the job better and safer at the rate for which it was designed.
- b. **Do not use the power tool if the switch does not turn it on and off.** Any power tool that cannot be controlled with the switch is dangerous and must be repaired.
- c. **Disconnect the plug from the power source and/or remove the battery pack, if detachable, from the power tool before making any adjustments, changing accessories, or storing power tools.** Such preventive safety measures reduce the risk of starting the power tool accidentally.
- d. **Store idle power tools out of the reach of children and do not allow persons unfamiliar with the power tool or these instructions to operate the power tool.** Power tools are dangerous in the hands of untrained users.
- e. **Maintain power tools and accessories. Check for misalignment or binding of moving parts, breakage of parts and any other condition that may affect the power tool's operation. If damaged, have the power tool repaired before use.** Many accidents are caused by poorly maintained power tools.
- f. **Keep cutting tools sharp and clean.** Properly maintained cutting tools with sharp cutting edges are less likely to bind and are easier to control.
- g. **Use the power tool, accessories and tool bits etc. in accordance with these instructions, taking into account the working conditions and the work to be performed.** Use of the power tool for operations different from those intended could result in a hazardous situation.
- h. **Keep handles and grasping surfaces dry, clean and free from oil and grease. Slippery handles and grasping surfaces do not allow for safe handling and control of the tool in unexpected situations.**

#### 5. Battery tool use and care

- a. **Recharge only with the charger specified by the manufacturer.**  
A charger that is suitable for one type of battery pack may create a risk of fire when used with another battery pack.
- b. **Use power tools only with specifically designated battery packs.** Use of any other battery packs may create a risk of injury and fire.
- c. **When battery pack is not in use, keep it away from other metal objects, like paper clips, coins, keys, nails, screws, or other small metal objects, that can make a connection from one terminal to another.**

Shorting the battery terminals together may cause burns or a fire.

- d. **Under abusive conditions, liquid may be ejected from the battery; avoid contact. If contact accidentally occurs, flush with water. If liquid contacts eyes, additionally seek medical help.** Liquid ejected from the battery may cause irritation or burns.
  - e. **Do not use a battery pack or tool that is damaged or modified** Damaged or modified batteries may exhibit unpredictable behaviour resulting in fire, explosion or risk of injury.
  - f. **Do not expose a battery pack or tool to fire or excessive temperature.** Exposure to fire or temperature above 130 °C may cause explosion.
  - g. **Follow all charging instructions and do not charge the battery pack or tool outside the temperature range specified in the instructions.** Charging improperly or at temperatures outside the specified range may damage the battery and increase the risk of fire.
- #### 6. Service
- a. **Have your power tool serviced by a qualified repair person using only identical replacement parts.**  
This will ensure that the safety of the power tool is maintained.
  - b. **Never service damaged battery packs.** Service of battery packs should only be performed by the manufacturer or authorized service providers.

#### Lawnmower safety warnings

- a. **Do not use the lawnmower in bad weather conditions, especially when there is a risk of lightning.** This decreases the risk of being struck by lightning.
- b. **Thoroughly inspect the area for wildlife where the lawnmower is to be used.** Wildlife may be injured by the lawnmower during operation.
- c. **Thoroughly inspect the area where the lawnmower is to be used and remove all stones, sticks, wires, bones, and other foreign objects.** Thrown objects can cause personal injury.
- d. **Before using the lawnmower, always visually inspect to see that the blade and the blade assembly are not worn or damaged.** Worn or damaged parts increase the risk of injury.
- e. **Check the grass catcher frequently for wear or deterioration.** A worn or damaged grass catcher may increase the risk of personal injury.
- f. **Keep guards in place. Guards must be in working order and be properly mounted.** A guard that is loose, damaged, or is not functioning correctly may result in personal injury.
- g. **Keep all cooling air inlets clear of debris.** Blocked air inlets and debris may result in overheating or risk of fire.

- h. **While operating the lawnmower, always wear non-slip and protective footwear.**  
Do not operate the lawnmower when barefoot or wearing open sandals. This reduces the chance of injury to the feet from contact with the moving blade.
- i. **While operating the lawnmower, always wear long trousers.** Exposed skin increases the likelihood of injury from thrown objects.
- j. **Do not operate the lawnmower in wet grass. Walk, never run.** This reduces the risk of slipping and falling which may result in personal injury.
- k. **Do not operate the lawnmower on excessively steep slopes.** This reduces the risk of loss of control, slipping and falling which may result in personal injury.
- l. **When working on slopes, always be sure of your footing, always work across the face of slopes, never up or down and exercise extreme caution when changing direction.** This reduces the risk of loss of control, slipping and falling which may result in personal injury.
- m. **Use extreme caution when reversing or pulling the lawnmower towards you.** Always be aware of your surroundings. This reduces the risk of tripping during operation.
- n. **Do not touch blades and other hazardous moving parts while they are still in motion.** This reduces the risk of injury from moving parts.
- o. **When clearing jammed material or cleaning the lawnmower, make sure all power switches are off and the battery pack is disconnected.** Unexpected operation of the lawnmower may result in serious personal injury.
- p. **When clearing jammed material or cleaning the lawnmower, make sure all power switches are off and remove (or activate) the disabling device.** Unexpected operation of the lawnmower may result in serious personal injury.

### Using your appliance

Always take care when using the appliance.

- This appliance is not intended for use by young or infirm persons without supervision.
- The appliance is not to be used as a toy.
- Do not allow children or animals to come near the work area or touch the appliance or power supply cord.
- Close supervision is necessary when the appliance is used near children.
- Use in a dry location only. Do not allow the appliance to become wet.
- Do not immerse the appliance in water.
- Do not open body casing.  
There are no user serviceable parts inside.
- Do not operate the appliance in explosive atmospheres, such as in the presence of flammable liquids, gases or dust.

- To reduce the risk of damage to plugs and cords never pull the cable to remove the plug from a socket.
- Before using, always visually inspect to see that the blades, blade bolts and cutter assembly are not worn or damaged.  
Replace worn or damaged blades and bolts in sets to preserve balance.
- In order to avoid a hazard due to inadvertent resetting of the thermal cut-out, this appliance must not be supplied through an external switching device, such as a timer, or connected to a circuit that is regularly switched on and off by the utility.
- Never operate the machine while people, especially children, or pets are nearby.
- Keep in mind that the operator or user is responsible for accidents or hazards occurring to other people or their property.

### Before use

- While operating the machine always wear substantial footwear and long trousers. Do not operate the machine when barefoot or wearing open sandals. Avoid wearing clothing that is loose fitting or that has hanging cords or ties.
- Thoroughly inspect the area where the machine is to be used and remove all objects which can be thrown by the machine.
- Before using, always visually inspect to see that the blade, blade bolt and the blade assembly are not worn or damaged. Replace worn or damaged components in sets to preserve balance. Replace damaged or unreadable labels.

### After use

- When not in use, the appliance should be stored in a dry, well ventilated place out of the reach of children.
- Children should not have access to stored appliances.
- When the appliance is stored or transported in a vehicle it should be placed in the boot or restrained to prevent movement following sudden changes in speed or direction.

### Inspection and repairs

- Before use, check the appliance for damaged or defective parts. Check for breakage of parts, damage to switches and any other conditions that may affect its operation.
- Do not use the appliance if any part is damaged or defective.
- Have any damaged or defective parts repaired or replaced by an authorised repair agent.



- Never attempt to remove or replace any parts other than those specified in this manual.
- Be careful during adjustment of the mower to prevent entrapment of the fingers between moving blades/parts and fixed parts of the machine.
- When servicing the blades be aware that, even though the power source is switched off, the blades can still be moved.

### Additional safety instructions for lawn mowers

- Do not transport the machine while the power source is running.
- Firmly grip handle with both hands when operating the lawn mower.
- If at any time it is felt necessary to tilt the lawn mower, make sure that both hands remain in the operating position while the lawn mower is tilted. Keep both hands in the operating position until the lawn mower is returned to rest correctly on the ground.
- Never wear radio or music headphones while operating the lawn mower.
- Never attempt to make a wheel height adjustment while the motor is running or while the safety key is in the switch housing.
- If the lawn mower stalls, release bail bar to turn mower off, wait for blade to stop, before attempting to unclog the chute or remove anything from under the deck.
- Keep hands and feet away from cutting area.
- Keep blades sharp. Always use protective gloves when handling the lawn mower blade.
- If you are using the grass collector, check it frequently for wear and deterioration. If excessively worn, replace with a new grass collector for your safety.
- Use extreme caution when reversing or pulling the lawn mower towards you.
- Do not put hands or feet near or under the lawn mower. Keep clear of the discharger opening at all times.
- Clear the area where the lawn mower is to be used of objects such as rocks, sticks, wire, toys, bones etc., which could be thrown by the blade. Objects struck by the blade can cause severe injury to persons. Stay behind the handle when the motor is running.
- Do not operate the lawn mower barefooted or while wearing sandals. Always wear substantial footwear.
- Do not pull lawn mower backward unless absolutely necessary. Always look down and behind before and while moving backward.
- Never direct discharged material toward anyone. Avoid discharging material against a wall or obstruction. Material may ricochet back toward the operator. Release the bail bar to turn the lawn mower off and stop the blade when crossing gravel surfaces.
- Do not operate the lawn mower without the entire grass collector, discharge guard, rear guard, or other safety protective devices in place and working. Periodically check all guards and safety protective devices to ensure they are in good working order and will operate properly and perform their intended function. Replace a damaged guard or other safety device before further use.
- Never leave a running lawn mower unattended.
- Always release the bail bar to stop the motor and wait until the blade comes to a complete stop before cleaning the lawn mower, removing the grass bag, unclogging the discharge guard, when leaving the lawn mower, or before making any adjustments, repairs or inspections.
- Operate lawn mower only in daylight or good artificial light when objects in the path of the blade are clearly visible from the operating area of the lawn mower.
- Do not operate the lawn mower while under the influence of alcohol or drugs, or when you are tired or ill. Always stay alert, watch what you are doing, and use common sense.
- Avoid dangerous environments. Never operate the lawn mower in damp or wet grass, never use lawn mower in the rain. Always be sure of your footing, walk, never run.
- If the lawn mower should start to vibrate abnormally, release the bail bar, wait for the blade to stop and then check for the cause immediately. Vibration is generally a warning of trouble, see the troubleshooting guide for advice in the case of abnormal vibration.
- Always wear proper eye and respiratory protection when operating the lawn mower.
- The use of any accessory or attachment not recommended for use with this lawn mower could be hazardous. Only use accessories approved by STANLEY FATMAX.
- Never overreach while operating the lawn mower. Always be sure to keep proper footing and balance at all times while operating the lawn mower.
- Mow across the face of slopes, never up and down. Exercise extreme caution when changing direction on slopes.
- Watch for holes, ruts, bumps, rocks or other hidden objects. Uneven terrain could cause a slip and fall accident. Tall grass can hide obstacles.
- Do not mow on wet grass or excessively steep slopes. Poor footing could cause a slip and fall accident.
- Do not mow near drop-offs, ditches, or embankments. You could lose your footing or balance.
- Always allow the mower to cool down before storing. Pull the plug from the socket and pull the battery pack from



the machine. Make sure that all moving parts have come to a complete stop:

- Whenever you leave the machine;
- Before clearing a blockage;
- Before checking, cleaning or working on the appliance.

### Safety of others

- This appliance can be used by children aged from 8 years and above and persons with reduced physical, sensory or mental capabilities or lack of experience and knowledge if they have been given supervision or instruction concerning use of the appliance in a safe way and understand the hazards involved.
- Children shall not play with the appliance. Cleaning and user maintenance shall not be made by children without supervision.

### Vibration

The vibration and/or noise emission level given in this information sheet has been measured in accordance with a standardised test given in EN62841 and may be used to compare one tool with another. It may be used for a preliminary assessment of exposure.

**WARNING:** The declared vibration and/or noise emission level represents the main applications of the tool. However if the tool is used for different applications, with different accessories or poorly maintained, the vibration and/or noise emission may differ. This may significantly increase the exposure level over the total working period.

An estimation of the level of exposure to vibration and/or noise should also take into account the times when the tool is switched off or when it is running but not actually doing the job. This may significantly reduce the exposure level over the total working period.

Identify additional safety measures to protect the operator from the effects of vibration and/or noise such as: maintain the tool and the accessories, keep the hands warm (relevant for vibration), organisation of work patterns.

### Residual risks

Additional residual risks may arise when using the tool which may not be included in the enclosed safety warnings. These risks can arise from misuse, prolonged use etc.

Even with the application of the relevant safety regulations and the implementation of safety devices, certain residual risks can not be avoided. These include:

- Injuries caused by touching any rotating/moving parts.
- Injuries caused when changing any parts, blades or accessories.
- Injuries caused by prolonged use of a tool. When using any tool for prolonged periods ensure you take regular breaks.
- Impairment of hearing.

- Health hazards caused by breathing dust developed when using your tool (example:- working with wood, especially oak, beech and MDF.)
- Never pick up or carry an appliance while the motor is running.

### Warning symbols

The following warning symbols are found on the appliance along with the date code:



**Warning!** Read the manual prior to operation.



**Beware of sharp blades.** Blades continue to rotate after the motor is switched off –Remove disabling device before maintenance.

Keep hands and feet away from the blades"



Beware of thrown objects – keep bystanders away from the cutting area.



Wear eye protection



Wear ear protection



Directive 2000/14/EC guaranteed sound power.

### Additional safety instructions for batteries and chargers

#### Batteries

- Never attempt to open for any reason.
- Do not expose the battery to water.
- Do not expose the battery to heat.
- Do not store in locations where the temperature may exceed 40 °C.
- Charge only at ambient temperatures between 10 °C and 40 °C.
- Charge only using the charger provided with the appliance/tool. Using the wrong charger could result in an electric shock or overheating of the battery.

- When disposing of batteries, follow the instructions given in the section "Protecting the environment".
- Do not damage/deform the battery pack either by puncture or impact, as this may create a risk of injury and fire.
- Do not charge damaged batteries.
- Under extreme conditions, battery leakage may occur. When you notice liquid on the batteries carefully wipe the liquid off using a cloth. Avoid skin contact.
- In case of skin or eye contact, follow the instructions below.

**Warning!** The battery fluid may cause personal injury or damage to property. In case of skin contact, immediately rinse with water. If redness, pain or irritation occurs seek medical attention. In case of eye contact, rinse immediately with clean water and seek medical attention.



Do not attempt to charge damaged batteries



### Warning! Fire hazard

Transporting batteries can possibly cause fire if the battery terminals inadvertently come in contact with conductive materials. When transporting batteries, make sure that the battery terminals are protected and well insulated from materials that could contact them and cause a short circuit. STANLEY FATMAX batteries comply with all applicable shipping regulations as prescribed by industry and legal standards which include UN Recommendations on the Transport of Dangerous Goods; International Air Transport Association (IATA) Dangerous Goods Regulations, International Maritime Dangerous Goods (IMDG) Regulations, and the European Agreement Concerning The International Carriage of Dangerous Goods by Road (ADR). Lithium-ion cells and batteries have been tested to section 38.3 of the UN Recommendations on the Transport of Dangerous Goods Manual of Tests and Criteria.

In most instances, shipping a STANLEY FATMAX battery pack will be exempted from being classified as a fully regulated Class 9 Hazardous Material. In general, only shipments containing a lithium-ion battery with an energy rating greater than 100 Watt Hours (Wh) will require being shipped as fully regulated Class 9. All lithium-ion batteries have the Watt Hour rating marked on the pack. Furthermore, due to regulation complexities, STANLEY FATMAX does not recommend air shipping lithium-ion battery packs alone regardless of Watt Hour rating. Shipments of tools with batteries (combo kits) can be air shipped as exempted if the Watt Hour rating of the battery pack is no greater than 100 Whr.

Regardless of whether a shipment is considered exempted or fully regulated, it is the shipper's responsibility to consult the latest regulations for packaging, labeling/marketing and documentation requirements.

The information provided in this section of the manual is provided in good faith and believed to be accurate at the time the document was created. However, no warranty, expressed or implied, is given. It is the buyer's responsibility to ensure that its activities comply with the applicable regulations.

### Charger

Your charger has been designed for a specific voltage. Always check that the mains voltage corresponds to the voltage on the rating plate.

**Warning!** Never attempt to replace the charger unit with a regular mains plug.

- Use your STANLEY FATMAX charger only to charge the battery in the appliance/tool with which it was supplied. Other batteries could burst, causing personal injury and damage.
- Never attempt to charge non-rechargeable batteries.
- If the supply cord is damaged, it must be replaced by the manufacturer or an authorised STANLEY FATMAX Service Centre in order to avoid a hazard.
- Do not expose the charger to water.
- Do not open the charger.
- Do not probe the charger.
- The appliance/tool/battery must be placed in a well ventilated area when charging.



The charger is intended for indoor use .



Read the instruction manual before use.

### Electrical safety



Your charger is double insulated; therefore no earth wire is required. Always check that the mains voltage corresponds to the voltage on the rating plate. Never attempt to replace the charger unit with a regular mains plug.

- If the supply cord is damaged, it must be replaced by the manufacturer or an authorised STANLEY FATMAX Service Centre in order to avoid a hazard.

### Features

This tool includes some or all of the following features.

1. On/Off switch box
2. On/Off button
3. Safety key
4. Handle
5. Bail handle
6. Handle locks
7. Handle brackets
8. Handle storage detent holes

9. Battery port cover
10. Cut height adjust lever
11. Rear door cover
12. Grass collection bag
13. Grass collection bag handle
14. Self drive bail handle
15. Self drive speed lever

### Charging procedure

STANLEY FATMAX chargers are designed to charge STANLEY FATMAX battery packs.

- Plug the charger into an appropriate outlet before inserting the battery pack.
- Insert the battery pack into the charger.



The green LED will flash indicating that the battery is being charged



The completion of charge is indicated by the green LED remaining on continuously. The pack is fully charged and may be used at this time or left on the charger

**Warning!** Recharge discharged batteries as soon as possible after use or battery life may be greatly diminished.

### Charger diagnostics

This charger is designed to detect certain problems that can arise with the battery packs or the power source. Problems are indicated by one LED flashing in different patterns.

#### Bad battery



The charger can detect a weak or damaged battery.

The red LED flashes in the pattern indicated on the label. If you see this bad battery blink pattern, do not continue to charge the battery. Return it to a service center or a collection site for recycling

#### Hot/cold pack delay



When the charger detects a battery that is excessively hot or excessively cold, it automatically starts a Hot/Cold Pack Delay, suspending charging until the battery has normalized. After this happens, the charger automatically switches to the Pack Charging mode. This feature ensures maximum battery life. The red LED flashes in the pattern indicated on the label when the hot / cold pack delay is detected.

### Important charging notes

- Longest life and best performance can be obtained if the battery pack is charged when the air temperature is

between 60°F and 80°F (16° - 27°C).

- DO NOT charge the battery pack in an air temperature below +40°F (+4.5°C), or above +105°F (+40.5°C). This is important and will prevent serious damage to the battery pack.
- The charger and battery pack may become warm to touch while charging. This is a normal condition, and does not indicate a problem. To facilitate the cooling of the battery pack after use, avoid placing the charger or battery pack in a warm environment such as in a metal shed, or an uninsulated trailer.
- If the battery pack does not charge properly:
  - Check current at receptacle by plugging in a lamp or other appliance
  - Check to see if receptacle is connected to a light switch which turns power off when you turn out the lights.
  - Move charger and battery pack to a location where the surrounding air temperature is approximately 60°F - 80°F (16° - 27°C).
  - If charging problems persist, take the tool, battery pack and charger to your local service center.
- The battery pack should be recharged when it fails to produce sufficient power on jobs which were easily done previously. DO NOT CONTINUE to use under these conditions. Follow the charging procedure. You may also charge a partially used pack whenever you desire with no adverse affect on the battery pack.
- Foreign materials of a conductive nature such as, but not limited to, steel wool, aluminium foil, or any buildup of metallic particles should be kept away from charger cavities. Always unplug the charger from the power supply when there is no battery pack in the cavity. Unplug charger before attempting to clean.
- Do not freeze or immerse charger in water or any other liquid.

**Warning!** Do not allow any liquid to get inside charger.

**NEVER** attempt to open the battery pack for any reason. If the plastic housing of the battery pack breaks or cracks, return to a service center for recycling.

### Battery state of charge indicator

The battery is equipped with a state of charge indicator. This can be used to display the current level of charge in the battery while in the mower and during charging. It does not indicate tool functionality and is subject to variation based on product components, temperature and end-user application.

### Checking state of charge:

- Press the state of charge indicator button (A1).
- The three LEDs (A2) will illuminate indicating the percent of charge in the battery. See chart in figure A.
- If LED light does not illuminate, charge battery.

### Installing and removing the battery packs

**Warning!** Make certain the Safety key is removed to prevent Actuation before removing or Installing battery.

#### To install battery packs:

- Lift the battery port cover (9) up to expose the battery port (19).
- Slide the battery (20) into the battery port until it is fully seated and an audible click is heard.  
Make sure battery pack is fully seated and fully latched into position. Repeat process for the second battery port.
- Close the battery port cover. Ensure the cover is fully latched before starting mower.

#### To remove battery packs:

- Open the battery port cover (9) as described above.
- Depress the battery release button (21) on the battery pack and pull battery pack out of tool.

### Adjusting handle height (fig. A)

The mower is shipped in storage mode. You will need to adjust the handle to operating position before continuing.

- To unlock the handle from the storage position, twist the two handle lock knobs a quarter turn. The handle lock knobs are located on both sides of the handle.
- Raise the handle to the operating position. Take care to not pinch or stress the cord.
- Twist the handle lock knobs a quarter turn, securing the handle into position.

### Grass Collection Bag (fig. B)

**Warning!** Turn unit off and remove safety key and battery packs.

- To attach, lift the rear door cover (11) and place the grass collection bag (12) onto the mower so the bag lugs (16) slide into the bag slots (17). Then, lower the rear door cover onto the bag.
- To remove, lift the rear door cover and pull the grass collection bag off of the mower by sliding it off the slots. Then, lower the rear door cover so it fully covers the back opening.

### Mulching

**Warning!** Turn unit off and remove safety key and battery packs.

- To operate mower in mulching mode, remove the grass collection bag (12).
- Be sure rear door cover (11) is closed.

### Adjusting mower height (Fig. C)

The height of cut is adjusted by the cut height adjust lever (18).

**Note:** If you are not sure which height to cut, begin mowing with the cut height adjustment lever positioned towards the rear.

#### To set the height of cut

- Pull the cut height adjustment lever out of the locking notch (18).
- Move the lever towards the rear of the mower to raise the height of cut.
- Move the lever towards the front of the mower to lower the height of cut.
- Push the height adjustment lever into one of the locking notches.

#### Operation

**Warning!** To reduce the risk of serious personal injury, turn unit off and remove safety key and battery packs, before making any adjustments or removing/installing attachments or accessories.

#### Safety Key (Fig. E)

**Warning!** Sharp moving blade. In order to prevent accidental start-up or unauthorized use of your cordless mower, a removable safety key (3) has been incorporated into the design of your mower. The mower will be completely disabled when the safety key has been removed from the mower. To prevent serious injury, turn unit off and remove safety key and battery packs when unattended, or when charging, cleaning, servicing, transporting, lifting, or storing mower.

#### Starting Mower (Fig. F)

**Warning!** Sharp moving blade. Never attempt to override the operation of the switch box and safety key system as serious injury could result.

**Note:** Mower is operational when battery packs and safety key are installed.

- Install battery packs (19) into mower as described in Installing and Removing the Battery Packs.
- Insert safety key (3) fully into the key port. The mower is now operational.
- To operate the mower, push and hold the ON-OFF button (2) on the ON-OFF switch box 1, then pull the bail handle 5 to the main handle 4.

**Note:** Once the mower starts, you can release the ON-OFF button, but you must continue to hold the bail handle to the main handle for the mower to run.

- To turn the mower OFF, release the bail handle.

**Warning!** Never attempt to lock a switch or bail handle in the ON position.

**Note:** Once the bail handle has returned to the original position it will activate the "Automatic Braking Mechanism". The motor is braked and the mower blade will stop rotating in three seconds or less. If mower blade rotates longer than three seconds, discontinue using mower and have it serviced.

**Variable-speed self drive system (Fig. G)**

**Warning!** Sharp moving blade. Never attempt to override the operation of the switch box, the self drive system or the safety key system as serious injury could result.

Your mower is equipped with variable-speed self drive. This system is dependent on the blade ON-OFF switch. It can only be used with the blade spinning.

- Follow Starting Mower instructions.
- To turn on self drive, hold bail handle (5) in place against the main handle (4) with one hand.
- Hold self drive bail handle (14) in place against the main handle to engage self drive mode.
- Slide the self drive speed lever (15) forward to increase speed or backward to decrease speed.
- To turn off self drive, release the self drive bail handle.

**Note:** When you turn off the self drive, for example at the end of a row, the wheels may become temporarily locked if you pull backwards on the mower. Simply push ahead slightly and then move the mower as required.

**Note:** During cutting, at times it may be easier to maneuver around an object, such as a tree or plants, with the self drive off. The mower can easily be used with the self drive off.



Slow speed



Quick speed

**Mower Overload**

To prevent damage due to overload conditions, do not try to remove too much grass at one time. Slow down your cutting pace, or raise the cut height.

**Mowing tips**

**Warning!** Always inspect area where mower is to be used and remove all stones, sticks, wire, bones, and other debris which might be thrown by the rotating blade.

**Warning!** Mow across the face of slopes, never up-and-down. Exercise extreme caution when changing direction on slopes.

Do not mow excessively (greater than 15 °) steep slopes.

Always maintain good footing.

- Release bail handle (5) to turn mower "OFF" when crossing any gravel area (stones can be thrown by the blade).
- Set mower at highest cutting height when mowing in rough ground or in tall weeds. Removing too much grass at one time can cause the motor to be overloaded and to stop.
- If a grass collection bag (12) is used during the fast growing season, the grass may tend to clog up at the

discharge opening. Release bail handle to turn mower off, remove the safety key (3) and battery packs (19).

Remove the catcher and shake the grass down to the back end of the bag. Also clean out any grass or debris which may be packed around the discharge opening.

Replace the grass catcher.

- If mower should start to vibrate abnormally, release bail handle to turn mower off, remove the safety key and battery packs. Check immediately for cause. Vibration is a warning of trouble. Do not operate mower until a service check has been made.
- For best cutting results, keep blade sharpened and balanced.
- Inspect and thoroughly clean mower after each use as a deck with caked grass will degrade performance.
- Always release bail handle to turn mower off, remove safety key and battery packs when leaving it unattended even for a short period of time.

**The following suggestions will help you to obtain optimum runtime from your cordless mower:**

- Slow down in areas where the grass is especially long or thick.
- Avoid mowing when the grass is wet from rain or dew-soaked.
- Cut your lawn frequently, especially during high growth periods.

**Note:** It is recommended that your battery packs be recharged after use to prolong the battery pack life. Frequent charging will not harm your battery pack, and will ensure that the battery pack is fully charged and ready for its next use. Storing battery pack not fully charged will shorten its life.

**Storage (Fig. A)**

**Warning!** Rotating blade can cause serious injury. Release bail handle to turn mower off, remove safety key, and remove battery packs before lifting, transporting, or storing the mower. Store in a dry place.

**Warning!** Pinch point. To avoid being pinched, keep fingers away from area around handle brackets when folding down handles.

The handle of the mower can be easily folded down for quick and convenient storage.

- Twist the handle lock knobs (6) a quarter turn.
- Rotate the handle towards the front of the mower. Take care to not pinch or stress the cord.
- Twist the handle lock knobs (6) a quarter turn to lock the handle into storage position.
- The mower can be stored standing up, with the collection bag removed, or flat on its wheels.

**Removing and Installing blade (Fig. H - J)**

**Warning!** Risk of injury. When reassembling the blade

system, ensure each part is reinstalled correctly, as described below. Improper assembly of the blade or other parts of the blade system may cause serious injury.

**Warning!** To reduce the risk of serious personal injury, turn unit off, remove safety key and battery packs before making any adjustments or removing/installing attachments or accessories. An accidental start-up can cause injury. Replacement blades are available from your nearest authorized service center. This mower requires replacement blade STZMW351.

- Cut a piece of 2" x 4" wood (22) (about 610 mm) to keep blade from turning when removing the blade bolt (24).

**Warning!** Use gloves and proper eye protection. Turn the mower on its side. Be careful of sharp edges of blade.

- Position wood and unscrew the blade bolt counterclockwise with a 5/8" wrench (23) (not included) as shown in Fig. H.
- Remove blade bolt spring plate (25) and blade (26) as shown in Fig. I. Examine all pieces for damage and replace if necessary.
- Install sharpened or new blade on shoulder of the blade adapter (27) as shown in Fig. I. Blade has a winged cut out which must match and engage the same shaped projection on the blade adapter.

**Note:** When replacing sharpened or new blade on shoulder of blade adapter make sure the bottom of the blade as marked **BOTTOM** will be facing the ground when the mower is returned to its normal upright position.

- Install the spring plate on the blade. Be sure to align the bosses on the spring plate with the detents in the blade, rotating the blade and spring plate together as necessary.
- Position piece of wood to keep blade from turning as shown in Fig. J. Install blade bolt and securely tighten the blade with a 5/8" wrench.

### Blade Sharpening

Keep blade sharp for best mower performance.

A dull blade does not cut grass cleanly.

**Warning!** Use gloves and proper eye protection while removing, sharpening, and installing blade. Ensure that safety key and battery pack are removed.

Sharpening the blade twice during a mowing season is usually sufficient under normal circumstances. Sand causes the blade to dull quickly. If your lawn has sandy soil, more frequent sharpening may be required. Replace bent or damaged blade immediately.

### When sharpening the blade:

- Make sure blade remains balanced.
- Sharpen blade at the original cutting angle.
- Sharpen cutting edges on both ends of blade, removing equal amounts of material from both ends.

### To sharpen blade in a vise (Fig. K)

- Be sure the bail handle is released, the blade has stopped and safety key and battery packs are removed before removing the blade.
- Remove blade from mower. See instructions for Removing and Installing Blade.
- Secure blade (26) in a vise (28).
- Wear proper eye protection and gloves and be careful not to cut yourself.
- Carefully file the cutting edges of the blade with a fine tooth file (29) (not included) or sharpening stone (not included), maintaining the angle of the original cutting edge.
- Check balance of blade. See instructions for Blade Balancing.
- Replace blade on mower and tighten securely.

### Blade balancing (Fig. L)

Check balance of the blade (26) by placing center hole in the blade over a nail or round screwdriver, clamped horizontally in a vise (28). If either end of the blade rotates downward, file along the sharp edge of that dropping end. Blade is properly balanced when neither end drops.

### Maintenance

Your STANLEY FATMAX tool has been designed to operate over a long period of time with a minimum of maintenance. Continuous satisfactory operation depends upon proper tool care and regular cleaning.

Your charger does not require any maintenance apart from regular cleaning.

**Warning!** Before performing any maintenance on the tool, remove the battery from the tool. Unplug the charger before cleaning it.

- Regularly clean the ventilation slots in your tool and charger using a soft brush or dry cloth.
- Regularly clean the motor housing using a damp cloth.
- Do not use any abrasive or solvent-based cleaner.
- Regularly open the chuck and tap it to remove any dust from the interior.

### Protecting the environment



Separate collection. Products and batteries marked with this symbol must not be disposed of with normal household waste.

Products and batteries contain materials that can be recovered or recycled reducing the demand for raw materials. Please recycle electrical products and batteries according to local provisions. Further information is available at [www.2helpU.com](http://www.2helpU.com).

## Technical data

SFMCWWS251		
Voltage	Vdc	2 x 18
No-Load Speed	min <sup>-1</sup>	2800
Weight	kg	20
Blade length	mm	492

Hand/arm weighted vibration value:  
 = <2.5 m/s<sup>2</sup>, uncertainty (K) = 1.5m/s<sup>2</sup>.  
 $L_{PA}$  (emission sound pressure) 73 dB(A)  
 uncertainty (K) = 3 dB(A)

**NOTE:** Battery packs and chargers are not included with B models.

## EC declaration of conformity

## MACHINERY DIRECTIVE

## OUTDOOR NOISE DIRECTIVE



SFMCWWS251 lawn mower

STANLEY FATMAX declares that these products described under "technical data" are in compliance with:

2006/42/EC, EN60335-1:2012 + A11:2014 + A13:2017 + A1:2019 + A14:2019 + A2:2019, EN60335-2-77:2010.

2000/14/EC, Lawn Mower, L < 50cm, Annex VI,

DEKRA Testing and Certification GmbH,  
 Handwerkstraße 15, 70565 Stuttgart

Location Certification Body,

Dinnendahlstr. 9, 44809 Bochum Germany

Notified Body number: 0158

$L_{WA}$  (measured sound power level) 83 dB(A),

Uncertainty (K) = 0.9 dB(A),

$L_{WA}$  (guaranteed sound power) 88 dB(A).

These products also comply with directives  
 2014/30/EU, 2011/65/EU.

For more information, please contact STANLEY FATMAX at the following address or refer to the back of the manual.

The undersigned is responsible for compilation of the technical file and makes this declaration on behalf of STANLEY FATMAX.

*Patrick Diepenbach*

Patrick Diepenbach  
 General Manager, Benelux  
 STANLEY FATMAX,  
 Egide Walschaertsstraat 14-18  
 2800 Mechelen, Belgium  
 30/10/2021

**Declaration of conformity**  
**The Supply of Machinery (Safety)**  
**Regulations 2008**



SFMCWWS251 lawn mower

STANLEY FATMAX declares that these products described under "technical data" are in compliance with:

The Supply of Machinery (Safety) Regulations, 2008, S.I. 2008/1597 (as amended), EN60335-1:2012 + A11:2014 + A13:2017 + A1:2019 + A14:2019 + A2:2019, EN60335-2-77:2010.

The Noise Emission in the Environment by Equipment for use Outdoors Regulations 2001, S.I. 2001/1701 (as amended), Schedule 9.

Intertek Testing & Certification Ltd

Academy Place94, 1-9 Brook Street, Brentwood, Essex,

CM145NQ United Kingdom

Approved Body Number: 0359

$L_{WA}$  (measured sound power level) 83 dB(A),

Uncertainty (K) = 0.9 dB(A),

$L_{WA}$  (guaranteed sound power) 88 dB(A).

These products also conform to the following UK Regulations: Electromagnetic Compatibility Regulations, 2016, S.I.2016/1091 (as amended).

The Restriction of the Use of Certain Hazardous Substances in Electrical and Electronic Equipment Regulations 2012, S.I. 2012/3032 (as amended).

For more information, please contact STANLEY FATMAX at the following address or refer to the back of the manual.

The undersigned is responsible for compilation of the technical file and makes this declaration on behalf of STANLEY FATMAX.

*Paul Featherstone*

Paul Featherstone  
 Product Director – Outdoor Products Group  
 STANLEY FATMAX UK,  
 270 Bath Road, Slough  
 Berkshire, SL1 4DX  
 England  
 30/10/2021



**Guarantee**

Stanley Fat Max is confident of the quality of its products and offers consumers a 12 month guarantee from the date of purchase. This guarantee is in addition to and in no way prejudices your statutory rights. The guarantee is valid within the territories of the Member States of the European Union and the European Free Trade Area.

To claim on the guarantee, the claim must be in accordance with Stanley Fat Max Terms and Conditions and you will need to submit proof of purchase to the seller or an authorised repair agent.

Terms and conditions of the Stanley Fat Max 1 year guarantee and the location of your nearest authorised repair agent can be obtained on the Internet at [www.2helpU.com](http://www.2helpU.com), or by contacting your local Stanley Fat Max office at the address indicated in this manual.

Please visit our website [www.stanley.eu/3](http://www.stanley.eu/3) to register Please visit our website [www.stanley.eu/3](http://www.stanley.eu/3) to register your new Stanley Fat Max product and receive updates on new products and special offers.







United Kingdom  
STANLEY FATMAX  
270 Bath Road  
Slough, Berkshire SL1 4DX

Tel. 01753 511234  
Fax 01753 572112  
[www.stanleytools.co.uk](http://www.stanleytools.co.uk)