



www.MACTOOLS.com

MCF601

English (**original instructions**)

3

Norsk (*oversatt fra de originale instruksjonene*)

12

Suomi (*käännetty alkuperäisestä käyttöohjeesta*)

21

Fig. A

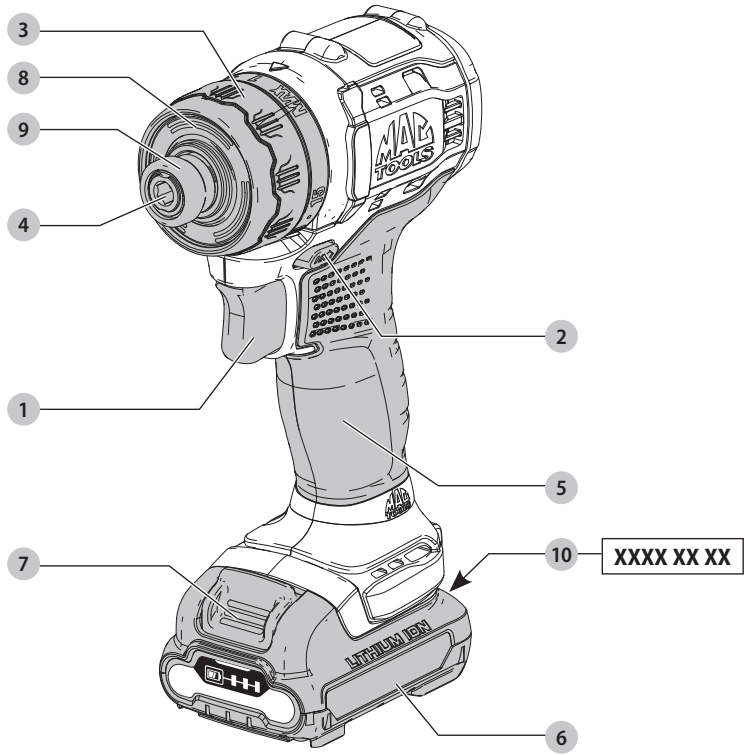


Fig. B

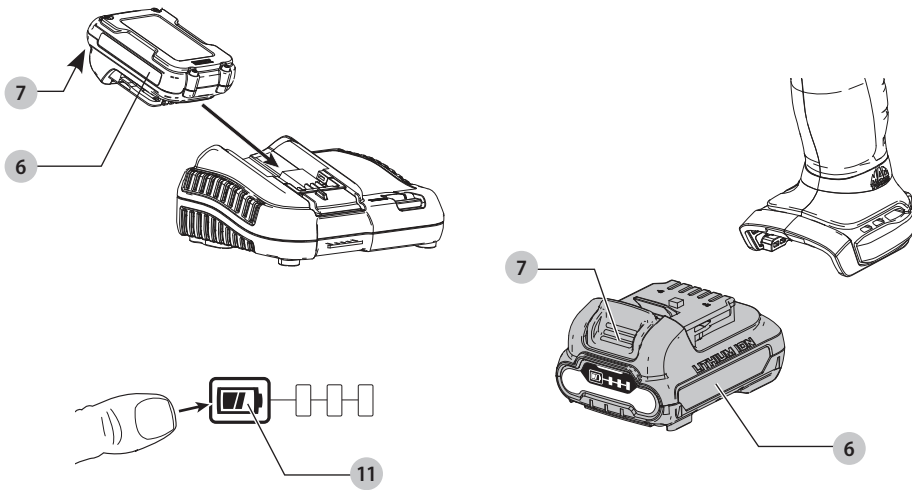


Fig. C

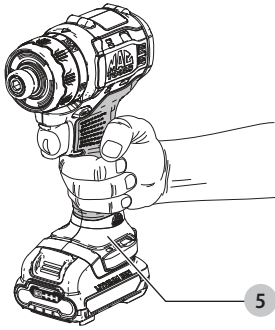
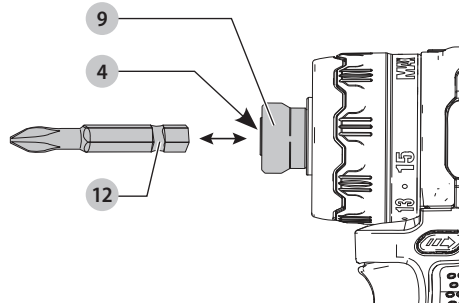


Fig. D



SCREWDRIVER

MCF601

Congratulations!

You have chosen a Mac Tools tool. Years of experience, thorough product development and innovation make Mac Tools one of the most reliable partners for professional power tool users.

Technical Data

		MCF601
Voltage	V _{DC}	12
Type		1
Battery type		Li-Ion
No load speed	min ⁻¹	0–1400
Tool holder	mm	6.35
Max Drill \varnothing	mm	10
Weight (without battery pack)	kg	0.71
Noise values and/or vibration values (triax vector sum) according to EN62841-2-2:		
L _{PA} (emission sound pressure level)	dB(A)	69
L _{WA} (sound power level)	dB(A)	80
K (uncertainty for the given sound level)	dB(A)	3
Vibration emission value a _H =	m/s ²	< 2.5
Uncertainty K =	m/s ²	1.5

The vibration and/or noise emission level given in this information sheet has been measured in accordance with a standardised test given in EN62841 and may be used to compare one tool with another. It may be used for a preliminary assessment of exposure.

WARNING: The declared vibration and/or noise emission level represents the main applications of the tool. However if the tool is used for different applications, with different accessories or poorly maintained, the vibration and/or noise emission may differ. This may significantly increase the exposure level over the total working period.

An estimation of the level of exposure to vibration and/or noise should also take into account the times when the tool is switched off or when it is running but not actually doing the job. This may significantly reduce the exposure level over the total working period.

Identify additional safety measures to protect the operator from the effects of vibration and/or noise such as: maintain the tool and the accessories, keep the hands warm (relevant for vibration), organisation of work patterns.

EC-Declaration of Conformity

Machinery Directive



Screwdriver MCF601

Mac Tools declares that these products described under **Technical Data** are in compliance with: 2006/42/EC, EN62841-1:2015, EN62841-2-2:2014.

These products also comply with Directive 2014/30/EU and 2011/65/EU. For more information, please contact Mac Tools at the following address or refer to the back of the manual.

The undersigned is responsible for compilation of the technical file and makes this declaration on behalf of Mac Tools.

Markus Rompel
Vice-President Engineering, PTE-Europa
Mac Tools, Richard-Klinger-Straße 11,
D-65510, Idstein, Germany
14.01.2019



WARNING: To reduce the risk of injury, read the instruction manual.

Definitions: Safety Guidelines

The definitions below describe the level of severity for each signal word. Please read the manual and pay attention to these symbols.



DANGER: Indicates an imminently hazardous situation which, if not avoided, **will** result in **death or serious injury**.



WARNING: Indicates a potentially hazardous situation which, if not avoided, **could** result in **death or serious injury**.



CAUTION: Indicates a potentially hazardous situation which, if not avoided, **may** result in **minor or moderate injury**.

NOTICE: Indicates a practice **not related to personal injury** which, if not avoided, **may** result in **property damage**.



Denotes risk of electric shock.



Denotes risk of fire.

Batteries				Chargers/Charge Times (Minutes)	
Cat #	V _{DC}	Ah	Weight (kg)	MCB112	MCB115
MBR124	12	3.0	0.28	90	45
MBR127	12	2.0	0.23	60	30

GENERAL POWER TOOL SAFETY WARNINGS



WARNING: Read all safety warnings, instructions, illustrations and specifications provided with this power tool. Failure to follow all instructions listed below may result in electric shock, fire and/or serious injury.

SAVE ALL WARNINGS AND INSTRUCTIONS FOR FUTURE REFERENCE.

The term "power tool" in the warnings refers to your mains-operated (corded) power tool or battery-operated (cordless) power tool.

1) Work Area Safety

- Keep work area clean and well lit.** Cluttered or dark areas invite accidents.
- Do not operate power tools in explosive atmospheres, such as in the presence of flammable liquids, gases or dust.** Power tools create sparks which may ignite the dust or fumes.
- Keep children and bystanders away while operating a power tool.** Distractions can cause you to lose control.

2) Electrical Safety

- Power tool plugs must match the outlet. Never modify the plug in any way. Do not use any adapter plugs with earthed (grounded) power tools.** Unmodified plugs and matching outlets will reduce risk of electric shock.
- Avoid body contact with earthed or grounded surfaces such as pipes, radiators, ranges and refrigerators.** There is an increased risk of electric shock if your body is earthed or grounded.
- Do not expose power tools to rain or wet conditions.** Water entering a power tool will increase the risk of electric shock.
- Do not abuse the cord. Never use the cord for carrying, pulling or unplugging the power tool. Keep cord away from heat, oil, sharp edges or moving parts.** Damaged or entangled cords increase the risk of electric shock.
- When operating a power tool outdoors, use an extension cord suitable for outdoor use.** Use of a cord suitable for outdoor use reduces the risk of electric shock.
- If operating a power tool in a damp location is unavoidable, use a residual current device (RCD) protected supply.** Use of an RCD reduces the risk of electric shock.

3) Personal Safety

- Stay alert, watch what you are doing and use common sense when operating a power tool. Do not use a power tool while you are tired or under the influence of drugs, alcohol or medication.** A moment

of inattention while operating power tools may result in serious personal injury.

- Use personal protective equipment. Always wear eye protection.** Protective equipment such as a dust mask, non-skid safety shoes, hard hat or hearing protection used for appropriate conditions will reduce personal injuries.
 - Prevent unintentional starting. Ensure the switch is in the off-position before connecting to power source and/or battery pack, picking up or carrying the tool.** Carrying power tools with your finger on the switch or energising power tools that have the switch on invites accidents.
 - Remove any adjusting key or wrench before turning the power tool on.** A wrench or a key left attached to a rotating part of the power tool may result in personal injury.
 - Do not overreach. Keep proper footing and balance at all times.** This enables better control of the power tool in unexpected situations.
 - Dress properly. Do not wear loose clothing or jewellery. Keep your hair and clothing away from moving parts.** Loose clothes, jewellery or long hair can be caught in moving parts.
 - If devices are provided for the connection of dust extraction and collection facilities, ensure these are connected and properly used.** Use of dust collection can reduce dust-related hazards.
 - Do not let familiarity gained from frequent use of tools allow you to become complacent and ignore tool safety principles.** A careless action can cause severe injury within a fraction of a second.
- #### 4) Power Tool Use and Care
- Do not force the power tool. Use the correct power tool for your application.** The correct power tool will do the job better and safer at the rate for which it was designed.
 - Do not use the power tool if the switch does not turn it on and off.** Any power tool that cannot be controlled with the switch is dangerous and must be repaired.
 - Disconnect the plug from the power source and/or remove the battery pack, if detachable, from the power tool before making any adjustments, changing accessories, or storing power tools.** Such preventive safety measures reduce the risk of starting the power tool accidentally.
 - Store idle power tools out of the reach of children and do not allow persons unfamiliar with the power tool or these instructions to operate the power tool.** Power tools are dangerous in the hands of untrained users.
 - Maintain power tools and accessories. Check for misalignment or binding of moving parts, breakage**

of parts and any other condition that may affect the power tool's operation. If damaged, have the power tool repaired before use. Many accidents are caused by poorly maintained power tools.

- f) **Keep cutting tools sharp and clean.** Properly maintained cutting tools with sharp cutting edges are less likely to bind and are easier to control.
- g) **Use the power tool, accessories and tool bits, etc. in accordance with these instructions, taking into account the working conditions and the work to be performed.** Use of the power tool for operations different from those intended could result in a hazardous situation.
- h) **Keep handles and grasping surfaces dry, clean and free from oil and grease.** Slippery handles and grasping surfaces do not allow for safe handling and control of the tool in unexpected situations.

5) Battery Tool Use and Care

- a) **Recharge only with the charger specified by the manufacturer.** A charger that is suitable for one type of battery pack may create a risk of fire when used with another battery pack.
- b) **Use power tools only with specifically designated battery packs.** Use of any other battery packs may create a risk of injury and fire.
- c) **When battery pack is not in use, keep it away from other metal objects, like paper clips, coins, keys, nails, screws or other small metal objects, that can make a connection from one terminal to another.** Shorting the battery terminals together may cause burns or a fire.
- d) **Under abusive conditions, liquid may be ejected from the battery; avoid contact. If contact accidentally occurs, flush with water. If liquid contacts eyes, additionally seek medical help.** Liquid ejected from the battery may cause irritation or burns.
- e) **Do not use a battery pack or tool that is damaged or modified.** Damaged or modified batteries may exhibit unpredictable behaviour resulting in fire, explosion or risk of injury.
- f) **Do not expose a battery pack or tool to fire or excessive temperature.** Exposure to fire or temperature above 130 °C may cause explosion.
- g) **Follow all charging instructions and do not charge the battery pack or tool outside the temperature range specified in the instructions.** Charging improperly or at temperatures outside the specified range may damage the battery and increase the risk of fire.

6) Service

- a) **Have your power tool serviced by a qualified repair person using only identical replacement parts.** This will ensure that the safety of the power tool is maintained.
- b) **Never service damaged battery packs.** Service of battery packs should only be performed by the manufacturer or authorized service providers.

Additional Specific Safety Rules for Screwdriver

- **Hold power tool by insulated gripping surfaces when performing an operation where the fastener may contact hidden wiring.** Fasteners contacting a "live" wire may make exposed metal parts of the power tool "live" and could give the operator an electric shock.

Residual Risks

In spite of the application of the relevant safety regulations and the implementation of safety devices, certain residual risks cannot be avoided. These are:

- Impairment of hearing.
- Risk of personal injury due to flying particles.
- Risk of burns due to accessories becoming hot during operation.
- Risk of personal injury due to prolonged use.

SAVE THESE INSTRUCTIONS

Chargers

Mac Tools chargers require no adjustment and are designed to be as easy as possible to operate.

Electrical Safety

The electric motor has been designed for one voltage only. Always check that the battery pack voltage corresponds to the voltage on the rating plate. Also make sure that the voltage of your charger corresponds to that of your mains.



Your Mac Tools charger is double insulated in accordance with EN60335; therefore no earth wire is required.

If the supply cord is damaged, it must be replaced by a specially prepared cord available through the Mac Tools service organisation.

Mains Plug Replacement (U.K. & Ireland Only)

If a new mains plug needs to be fitted:

- Safely dispose of the old plug.
- Connect the brown lead to the live terminal in the plug.
- Connect the blue lead to the neutral terminal.



WARNING: No connection is to be made to the earth terminal.

Follow the fitting instructions supplied with good quality plugs. Recommended fuse: 3 A.

Using an Extension Cable

An extension cord should not be used unless absolutely necessary. Use an approved extension cable suitable for the power input of your charger (see **Technical Data**). The minimum conductor size is 1 mm²; the maximum length is 30 m.

When using a cable reel, always unwind the cable completely.

Important Safety Instructions for All Battery Chargers

SAVE THESE INSTRUCTIONS: This manual contains important safety and operating instructions for compatible battery chargers (refer to **Technical Data**).

- Before using charger, read all instructions and cautionary markings on charger, battery pack, and product using battery pack.



WARNING: Shock hazard. Do not allow any liquid to get inside charger. Electric shock may result.



WARNING: We recommend the use of a residual current device with a residual current rating of 30mA or less.



CAUTION: Burn hazard. To reduce the risk of injury, charge only Mac Tools rechargeable batteries. Other types of batteries may burst causing personal injury and damage.



CAUTION: Children should be supervised to ensure that they do not play with the appliance.

NOTICE: Under certain conditions, with the charger plugged into the power supply, the exposed charging contacts inside the charger can be shorted by foreign material. Foreign materials of a conductive nature such as, but not limited to, steel wool, aluminum foil or any buildup of metallic particles should be kept away from charger cavities. Always unplug the charger from the power supply when there is no battery pack in the cavity. Unplug charger before attempting to clean

- **DO NOT attempt to charge the battery pack with any chargers other than the ones in this manual.** The charger and battery pack are specifically designed to work together.
- **These chargers are not intended for any uses other than charging Mac Tools rechargeable batteries.** Any other uses may result in risk of fire, electric shock or electrocution.
- **Do not expose charger to rain or snow.**
- **Pull by plug rather than cord when disconnecting charger.** This will reduce risk of damage to electric plug and cord.
- **Make sure that cord is located so that it will not be stepped on, tripped over, or otherwise subjected to damage or stress.**
- **Do not use an extension cord unless it is absolutely necessary.** Use of improper extension cord could result in risk of fire, electric shock, or electrocution.
- **Do not place any object on top of charger or place the charger on a soft surface that might block the ventilation slots and result in excessive internal heat.** Place the charger in a position away from any heat source. The charger is ventilated through slots in the top and the bottom of the housing.
- **Do not operate charger with damaged cord or plug—** have them replaced immediately.
- **Do not operate charger if it has received a sharp blow, been dropped, or otherwise damaged in any way.** Take it to an authorised service centre.

- **Do not disassemble charger; take it to an authorised service centre when service or repair is required.** Incorrect reassembly may result in a risk of electric shock, electrocution or fire.
- *In case of damaged power supply cord the supply cord must be replaced immediately by the manufacturer, its service agent or similar qualified person to prevent any hazard.*
- **Disconnect the charger from the outlet before attempting any cleaning. This will reduce the risk of electric shock.** Removing the battery pack will not reduce this risk.
- **NEVER attempt to connect two chargers together.**
- **The charger is designed to operate on standard 230V household electrical power. Do not attempt to use it on any other voltage.** This does not apply to the vehicular charger.

Charging a Battery (Fig. B)

1. Plug the charger into an appropriate outlet before inserting battery pack.
2. Insert the battery pack **6** into the charger, making sure the battery pack is fully seated in the charger. The red (charging) light will blink repeatedly indicating that the charging process has started.
3. The completion of charge will be indicated by the red light remaining ON continuously. The battery pack is fully charged and may be used at this time or left in the charger. To remove the battery pack from the charger, push the battery release button **7** on the battery pack.

NOTE: To ensure maximum performance and life of lithium-ion battery packs, charge the battery pack fully before first use.

Charger Operation

Refer to the indicators below for the charge status of the battery pack.

Charge Indicators	
Charging	
Fully Charged	
Hot/Cold Pack Delay*	

*The red light will continue to blink, but a yellow indicator light will be illuminated during this operation. Once the battery pack has reached an appropriate temperature, the yellow light will turn off and the charger will resume the charging procedure. The compatible charger(s) will not charge a faulty battery pack. The charger will indicate faulty battery by refusing to light.

NOTE: This could also mean a problem with a charger.

If the charger indicates a problem, take the charger and battery pack to be tested at an authorised service centre.

Hot/Cold Pack Delay

When the charger detects a battery pack that is too hot or too cold, it automatically starts a Hot/Cold Pack Delay, suspending charging until the battery pack has reached an appropriate temperature. The charger then automatically switches to the

pack charging mode. This feature ensures maximum battery pack life.

A cold battery pack will charge at a slower rate than a warm battery pack. The battery pack will charge at that slower rate throughout the entire charging cycle and will not return to maximum charge rate even if the battery pack warms.

Electronic Protection System


Mac Tools Li-Ion tools are designed with an Electronic Protection System that will protect the battery pack against overloading, overheating or deep discharge.

The tool will automatically turn off if the Electronic Protection System engages. If this occurs, place the lithium-ion battery pack on the charger until it is fully charged.

Wall Mounting

These chargers are designed to be wall mountable or to sit upright on a table or work surface. If wall mounting, locate the charger within reach of an electrical outlet, and away from a corner or other obstructions which may impede air flow. Use the back of the charger as a template for the location of the mounting screws on the wall. Mount the charger securely using drywall screws (purchased separately) at least 25.4 mm long with a screw head diameter of 7–9 mm, screwed into wood to an optimal depth leaving approximately 5.5 mm of the screw exposed. Align the slots on the back of the charger with the exposed screws and fully engage them in the slots.

Charger Cleaning Instructions

 **WARNING: Shock hazard. Disconnect the charger from the AC outlet before cleaning.** Dirt and grease may be removed from the exterior of the charger using a cloth or soft non-metallic brush. Do not use water or any cleaning solutions. Never let any liquid get inside the tool; never immerse any part of the tool into a liquid.

Battery Packs

Important Safety Instructions for All Battery Packs

When ordering replacement battery packs, be sure to include catalogue number and voltage.

The battery pack is not fully charged out of the carton. Before using the battery pack and charger, read the safety instructions below. Then follow charging procedures outlined.

READ ALL INSTRUCTIONS

- **Do not charge or use battery in explosive atmospheres, such as in the presence of flammable liquids, gases or dust.** Inserting or removing the battery from the charger may ignite the dust or fumes.
- **Never force battery pack into charger. Do not modify battery pack in any way to fit into a non-compatible charger as battery pack may rupture causing serious personal injury.**
- Charge the battery packs only in Mac Tools chargers.
- **DO NOT** splash or immerse in water or other liquids.
- **Do not store or use the tool and battery pack in locations where the temperature may reach or exceed**

40 °C (104 °F) (such as outside sheds or metal buildings in summer).

- **Do not incinerate the battery pack even if it is severely damaged or is completely worn out.** The battery pack can explode in a fire. Toxic fumes and materials are created when lithium-ion battery packs are burned.
- **If battery contents come into contact with the skin, immediately wash area with mild soap and water.** If battery liquid gets into the eye, rinse water over the open eye for 15 minutes or until irritation ceases. If medical attention is needed, the battery electrolyte is composed of a mixture of liquid organic carbonates and lithium salts.
- **Contents of opened battery cells may cause respiratory irritation.** Provide fresh air. If symptoms persists, seek medical attention.



WARNING: Burn hazard. Battery liquid may be flammable if exposed to spark or flame.



WARNING: Never attempt to open the battery pack for any reason. If battery pack case is cracked or damaged, do not insert into charger. Do not crush, drop or damage battery pack. Do not use a battery pack or charger that has received a sharp blow, been dropped, run over or damaged in any way (i.e., pierced with a nail, hit with a hammer, stepped on). Electric shock or electrocution may result. Damaged battery packs should be returned to service centre for recycling.



WARNING: Fire hazard. Do not store or carry the battery pack so that metal objects can contact exposed battery terminals. For example, do not place the battery pack in aprons, pockets, tool boxes, product kit boxes, drawers, etc., with loose nails, screws, keys, etc.



CAUTION: When not in use, place tool on its side on a stable surface where it will not cause a tripping or falling hazard. Some tools with large battery packs will stand upright on the battery pack but may be easily knocked over.

Transportation



WARNING: Fire hazard. Transporting batteries can possibly cause fire if the battery terminals inadvertently come in contact with conductive materials. When transporting batteries, make sure that the battery terminals are protected and well insulated from materials that could contact them and cause a short circuit.

NOTE: Lithium-ion batteries should not be put in checked baggage.

Mac Tools batteries comply with all applicable shipping regulations as prescribed by industry and legal standards which include UN Recommendations on the Transport of Dangerous Goods; International Air Transport Association (IATA) Dangerous Goods Regulations, International Maritime Dangerous Goods (IMDG) Regulations, and the European Agreement Concerning The International Carriage of Dangerous Goods by Road (ADR). Lithium-ion cells and batteries have been tested to section 38.3 of the UN Recommendations on the Transport of Dangerous Goods Manual of Tests and Criteria.

ENGLISH

In most instances, shipping a Mac Tools battery pack will be excepted from being classified as a fully regulated Class 9 Hazardous Material. In general, only shipments containing a lithium-ion battery with an energy rating greater than 100 Watt Hours (Wh) will require being shipped as fully regulated Class 9. All lithium-ion batteries have the Watt Hour rating marked on the pack. Furthermore, due to regulation complexities, Mac Tools does not recommend air shipping lithium-ion battery packs alone regardless of Watt Hour rating. Shipments of tools with batteries (combo kits) can be air shipped as excepted if the Watt Hour rating of the battery pack is no greater than 100 Whr. Regardless of whether a shipment is considered excepted or fully regulated, it is the shipper's responsibility to consult the latest regulations for packaging, labeling/markings and documentation requirements.

The information provided in this section of the manual is provided in good faith and believed to be accurate at the time the document was created. However, no warranty, expressed or implied, is given. It is the buyer's responsibility to ensure that its activities comply with the applicable regulations.

Storage Recommendations

1. The best storage place is one that is cool and dry away from direct sunlight and excess heat or cold. For optimum battery performance and life, store battery packs at room temperature when not in use.
2. For long storage, it is recommended to store a fully charged battery pack in a cool, dry place out of the charger for optimal results.

NOTE: Battery packs should not be stored completely depleted of charge. The battery pack will need to be recharged before use.

Labels on Charger and Battery Pack

In addition to the pictographs used in this manual, the labels on the charger and the battery pack may show the following pictographs:



Read instruction manual before use.



See **Technical Data** for charging time.



Do not probe with conductive objects.



Do not charge damaged battery packs.



Do not expose to water.



Have defective cords replaced immediately.



Charge only between 4 °C and 40 °C.



Only for indoor use.



Discard the battery pack with due care for the environment.



Charge Mac Tools battery packs only with designated Mac Tools chargers. Charging battery packs other than the designated Mac Tools batteries with a Mac Tools charger may make them burst or lead to other dangerous situations.



Do not incinerate the battery pack.

Battery Type

The MCF601 operates on a 12 volt battery pack.

These battery packs may be used: MBR124, MBR127. Refer to **Technical Data** for more information.

Package Contents

The package contains:

- 1 Screwdriver
- 1 Charger
- 1 Li-Ion battery pack (C1, D1, L1, M1, P1, S1, T1, X1, Y1 models)
- 1 Li-Ion battery packs (C2, D2, L2, M2, P2, S2, T2, X2, Y2 models)
- 1 Li-Ion battery packs (C3, D3, L3, M3, P3, S3, T3, X3, Y3 models)
- 1 Instruction manual

NOTE: Battery packs, chargers and kitboxes are not included with N models. Battery packs and chargers are not included with NT models.

NOTE: Trademarks and trade names are those of their respective owners.

- Check for damage to the tool, parts or accessories which may have occurred during transport.
- Take the time to thoroughly read and understand this manual prior to operation.

Markings on Tool

The following pictographs are shown on the tool:



Read instruction manual before use.



Wear ear protection.



Wear eye protection.



Visible radiation. Do not stare into light.

Date Code Position (Fig. A)

The date code **10**, which also includes the year of manufacture, is printed into the housing.

Example:

2019 XX XX
Year of Manufacture

Description (Fig. A)



WARNING: Never modify the power tool or any part of it. Damage or personal injury could result.

- 1 Variable speed trigger switch
- 2 Forward/reverse button
- 3 Torque adjustment collar
- 4 Quick-release chuck
- 5 Main handle
- 6 Battery pack
- 7 Battery release button
- 8 Worklights
- 9 Quick-release chuck collar

Intended Use

This screwdriver is designed for professional screwdriving applications.

DO NOT use under wet conditions or in the presence of flammable liquids or gases.

This screwdriver is a professional power tool.

DO NOT let children come into contact with the tool.

Supervision is required when inexperienced operators use this tool.

- **Young children and the infirm.** This appliance is not intended for use by young children or infirm persons without supervision.
- This product is not intended for use by persons (including children) suffering from diminished physical, sensory or mental abilities; lack of experience, knowledge or skills unless they are supervised by a person responsible for their safety. Children should never be left alone with this product.

ASSEMBLY AND ADJUSTMENTS



WARNING: To reduce the risk of serious personal injury, turn tool off and disconnect battery pack before making any adjustments or removing/installing attachments or accessories. An accidental start-up can cause injury.



WARNING: Use only Mac Tools battery packs and chargers.

Inserting and Removing the Battery Pack from the Tool (Fig. B)

NOTE: Make sure your battery pack **6** is fully charged.

To Install the Battery Pack into the Tool Handle

1. Align the battery pack **6** with the rails inside the tool's handle (Fig. B).

2. Slide it into the handle until the battery pack is firmly seated in the tool and ensure that you hear the lock snap into place.

To Remove the Battery Pack from the Tool

1. Press the release button **7** and firmly pull the battery pack out of the tool handle.
2. Insert battery pack into the charger as described in the charger section of this manual.

Fuel Gauge Battery Packs (Fig. B)

Some Mac Tools battery packs include a fuel gauge which consists of three green LED lights that indicate the level of charge remaining in the battery pack.

To actuate the fuel gauge, press and hold the fuel gauge button **11**. A combination of the three green LED lights will illuminate designating the level of charge left. When the level of charge in the battery is below the usable limit, the fuel gauge will not illuminate and the battery will need to be recharged.

NOTE: The fuel gauge is only an indication of the charge left on the battery pack. It does not indicate tool functionality and is subject to variation based on product components, temperature and end-user application.

OPERATION

Instructions for Use



WARNING: Always observe the safety instructions and applicable regulations.



WARNING: To reduce the risk of serious personal injury, turn tool off and disconnect battery pack before making any adjustments or removing/installing attachments or accessories. An accidental start-up can cause injury.

Proper Hand Position (Fig. C)



WARNING: To reduce the risk of serious personal injury, ALWAYS use proper hand position as shown.



WARNING: To reduce the risk of serious personal injury, ALWAYS hold securely in anticipation of a sudden reaction.

Proper hand position requires one hand on the main handle **5**.

Variable Speed Trigger Switch (Fig. A)

To turn the tool on, squeeze the trigger switch **1**. To turn the tool off, release the trigger switch. Your tool is equipped with a brake. The chuck will stop as soon as the trigger switch is fully released.

The variable speed switch enables you to start the application at a slow speed. The further you squeeze the trigger, the faster the tool will operate. For maximum tool life, use variable speed only for starting holes or fasteners.

NOTE: Continuous use in variable speed range is not recommended. It may damage the switch and should be avoided.

Forward/Reverse Control Button (Fig. A)

A forward/reverse control button **2** determines the direction of the tool and also serves as a lock-off button.

To select forward rotation, release the trigger switch and depress the forward/reverse control button on the right side of the tool.

To select reverse, depress the forward/reverse control button on the left side of the tool. The centre position of the control button locks the tool in the off position. When changing the position of the control button, be sure the trigger is released.

NOTE: The first time the tool is run after changing the direction of rotation, you may hear a click on start up. This is normal and does not indicate a problem.

Worklights (Fig. A)

There are three worklights **8** located around the quick-release chuck collar **9**. The worklight will be activated when the variable speed trigger switch is squeezed.

When the trigger is released, the worklight will stay illuminated for up to 20 seconds. If the trigger switch remains depressed, the worklights will remain on.

NOTE: The worklight is for lighting the immediate work surface and is not intended to be used as a flashlight.

Torque Adjustment Collar (Fig. A)

The torque adjustment collar **3** is clearly marked with numbers and the max position. The collar should be rotated until the desired setting is located at the top of the tool. Locators are provided in the collar to eliminate the guess work when selecting fastening torque. The higher the number on the collar, the higher the torque and the larger the fastener which can be driven. To lock the clutch for drilling operations, move to the max position.

Quick-Release Chuck (Fig. A, D)

NOTE: The quick-release chuck **4** accepts 6.35 mm hex accessories. Using 25 mm bits allows better access in tight spaces.

Place the forward/reverse button **2** in the locked off (centre) position or remove battery pack before changing accessories. The bit shown in Figure E is typical of the bits for use in the quick-release chuck **4** with a groove **12** which is required to hold the bit firmly.

To install an accessory, push accessory to fully insert into the quick-release chuck **4**. The quick release chuck collar **9** does not need to be pulled up to lock accessory in place.

To remove an accessory, pull the quick release chuck collar **9** away from the front of the tool. Remove the accessory and release the collar.

Screwdriver Mode (Fig. A)

Select the desired clutch setting using the torque adjustment collar **3** on the top of tool.

Insert the desired fastener accessory into the chuck as you would any screwdriver bit. Make a few practice runs in scrap or unseen areas to determine the proper position of the clutch collar.

Drilling Mode



WARNING: To reduce the risk of serious personal injury, place the forward/reverse button in the lock-off position or turn tool off and disconnect battery pack before making any adjustments or removing/installing attachments or accessories.



WARNING: To reduce the risk of personal injury, ALWAYS ensure workpiece is anchored or clamped firmly. If drilling thin material, use a wood "back-up" block to prevent damage to the material.

Turn the collar to the max position symbol for drilling.

1. Use hex shank drill bits only.
2. Always apply pressure in a straight line with the bit. Use enough pressure to keep the bit biting, but do not push hard enough to stall the motor or deflect the bit.
3. Hold tool firmly with both hands to control the twisting action of the tool.



WARNING: The screwdriver may stall if overloaded causing a sudden twist. Always expect the stall. Grip the screwdriver firmly with both hands to control the twisting action and avoid injury.

4. If the screwdriver stalls, it is usually because it is being overloaded or improperly used. RELEASE TRIGGER IMMEDIATELY, remove bit from work, and determine the cause of stalling. **DO NOT CYCLE TRIGGER ON AND OFF IN ATTEMPT TO RESTART A STALLED TOOL — THIS CAN DAMAGE THE TOOL.**
5. To minimize stalling or breaking through the material, reduce pressure on the screwdriver and ease the bit through the last fractional part of the hole.
6. Keep the motor running when pulling the bit back out of a hole. This will help prevent jamming.
7. With variable speed screwdrivers, there is no need to centre punch the point to be drilled. Use a slow speed to start the hole and accelerate by squeezing the trigger harder when the hole is deep enough without the bit skipping out.

MAINTENANCE

Your Mac Tools power tool has been designed to operate over a long period of time with a minimum of maintenance. Continuous satisfactory operation depends upon proper tool care and regular cleaning.



WARNING: To reduce the risk of serious personal injury, turn tool off and disconnect battery pack before making any adjustments or removing/installing attachments or accessories. An accidental start-up can cause injury.

The charger and battery pack are not serviceable.



Lubrication

Your power tool requires no additional lubrication.



Cleaning



WARNING: Blow dirt and dust out of the main housing with dry air as often as dirt is seen collecting in and around the air vents. Wear approved eye protection and approved dust mask when performing this procedure.



WARNING: Never use solvents or other harsh chemicals for cleaning the non-metallic parts of the tool. These chemicals may weaken the materials used in these parts. Use a cloth dampened only with water and mild soap. Never let any liquid get inside the tool; never immerse any part of the tool into a liquid.

Optional Accessories



WARNING: Since accessories, other than those offered by Mac Tools, have not been tested with this product, use of such accessories with this tool could be hazardous. To reduce the risk of injury, only Mac Tools recommended accessories should be used with this product.

Consult your dealer for further information on the appropriate accessories.

Protecting the Environment



Separate collection. Products and batteries marked with this symbol must not be disposed of with normal household waste.

Products and batteries contain materials that can be recovered or recycled reducing the demand for raw materials. Please recycle electrical products and batteries according to local provisions. Further information is available at www.2helpU.com.

Rechargeable Battery Pack

This long life battery pack must be recharged when it fails to produce sufficient power on jobs which were easily done before. At the end of its technical life, discard it with due care for our environment:

- Run the battery pack down completely, then remove it from the tool.
- Li-Ion cells are recyclable. Take them to your dealer or a local recycling station. The collected battery packs will be recycled or disposed of properly.

SKRUTREKKER

MCF601

Gratulerer!

Du har valgt et Mac Tools-verktøy. Mange års erfaring, grundig produktutvikling og innovasjon gjør Mac Tools til en meget pålitelig partner for profesjonelle brukere av elektrisk verktøy.

Tekniske data

		MCF601
Spenning	V_{DC}	12
Type		1
Batteritype		Li-Ion
Ubelastet hastighet	min^{-1}	0–1400
Redskapholder	mm	6,35
Maks bor ø	mm	10
Vekt (uten batteripakke)	kg	0,71
Støyverdier og vibrasjonsverdier (trix vektor sum) i henhold til EN62841-2-2:		
L_{pa} (lydtrykknivå)	dB(A)	69
L_{WA} (lydeffektnivå)	dB(A)	80
K (usikkerhet for det angitte støynivå)	dB(A)	3
Verdi vibrasjonsutslipp $a_{h1} =$		
	m/s^2	< 2,5
Usikkerhet K =		
	m/s^2	1,5

Nivå for vibrasjons og/eller støytutslipp angitt i dette informasjonsbladet er blitt målt iht. standardiserte test gitt i EN62841, og kan brukes til å sammenligne ett verktøy med et annet. Det kan brukes til forberedende vurdering av eksponering.



ADVARSEL: Angitt nivå for vibrasjon og/eller støytutslipp gjelder for hovedbruksområdene for verktøyet. Dersom verktøyet brukes i andre bruksområder, med annet tilbehør eller er dårlig vedlikeholdt, kan vibrasjon og/eller støytutslipp avvike. Dette kan øke eksponeringsnivået betydelig for hele arbeidsperioden.

En vurdering av eksponeringsnivået for vibrasjon og/eller støyt bør også tas med i beregningen når verktøyet er slått av eller når det går uten faktisk å gjøre en jobb. Dette kan redusere eksponeringsnivået betydelig for hele arbeidsperioden.

Kartlegg ekstra sikkerhetstiltak for beskyttelse av brukeren mot støyt og/eller vibrasjonseffekter, så som vedlikehold av verktøy og tilbehør, holde hendene varme (relevant for vibrasjoner), organisering av arbeidsvanene.

Overensstemmelseserklæring med EU

Maskineridirektiv



Skrutrekker MCF601

Mac Tools erklærer at de produktene som er beskrevet under **Tekniske data** er i samsvar med: 2006/42/EU, EN62841-1:2015, EN62841-2-2:2014.

Disse produktene samsvarer også med direktiv 2014/30/EF og 2011/65/EF. For mer informasjon, vennligst kontakt Mac Tools på følgende adresser eller se baksiden av håndboken.

Undertegnede er ansvarlig for sammenstillingen av den tekniske filen og fremsetter denne erklæringen på vegne av Mac Tools.

Markus Rempel

Visedirektør for teknisk arbeid, PTE-Europa
Mac Tools, Richard-Klinger-Straße 11,
D-65510 Idstein, Tyskland

14.01.2019



ADVARSEL: Les bruksanvisningen slik at skaderisiko kan reduseres.

Definisjoner: Retningslinjer for sikkerhet

Definisjonene nedenfor beskriver alvorlighetsnivået de enkelte signalordene er. Les brukerhåndboken og vær spesielt oppmerksom på disse symbolene.



FARE: Angir en eksisterende farlig situasjon som, og hvis den ikke unngås, vil føre til **dødsfall eller alvorlig personskade**.



ADVARSEL: Angir en potensielt farlig situasjon som, og hvis den ikke unngås, kan føre til **dødsfall eller alvorlig personskade**.



FORSIKTIG: Angir en potensielt farlig situasjon som, og hvis den ikke unngås, kan føre til **mindre eller moderat personskade**.

MERK: Angir en arbeidsmåte som ikke er relatert til personskader, men som kan føre til **skader på utstyr hvis den ikke unngås**.



Angir fare for elektrisk støt.



Angir brannfare.

Batterier				Ladere/Ladetider (i minutter)	
Kat #	V _{DC}	Ah	Vekt (kg)	MCB112	MCB115
MBR124	12	3,0	0,28	90	45
MBR127	12	2,0	0,23	60	30

GENERELLE SIKKERHETSADVARSLER FOR ELEKTRISKE VERKTØY



ADVARSEL: Les alle sikkerhetsanvisninger, instruksjoner, illustrasjoner og spesifikasjoner som følger dette elektriske verktøyet. Manglende overholdelse av instruksjonene som er listet opp under kan resultere i elektrosjokk, ild og/eller alvorlig skade.

TA VARE PÅ ALLE ADVARSLER OG INSTRUKSJONER FOR FREMTIDIG BRUK

Uttrykket "elektrisk verktøy" i advarslene henviser til ditt strømdrevne (med ledning) elektriske verktøy eller ditt batteridrevne (uten ledning) elektriske verktøy.

1) Sikkerhet på arbeidsområdet

- Hold arbeidsområdet godt opplyst.** Rotete eller mørke områder er en invitasjon til ulykker.
- Ikke bruk elektriske verktøy i eksplosive omgivelser, slik som i nærheten av antenner, væsker, gasser eller støv.** Elektrisk verktøy skaper gnister som kan antenne støv eller gasser.
- Hold barn og tilskuere borte mens du bruker et elektrisk verktøy.** Distraksjoner kan føre til at du mister kontrollen.

2) Elektrisk sikkerhet

- Støpselet til elektriske verktøy må passe til stikkkontakten. Aldri modifier støpselet på noen måte. Ikke bruk adaptere med jordede elektriske verktøy.** Umodifiserte støpsler og stikkontakter som passer vil redusere risikoen for elektrisk sjokk.
- Unngå kroppskontakt med jordete overflater slik som rør, radiatorer, komfyrer og kjøleskap.** Det finnes en økt risiko for elektrisk sjokk dersom kroppen din er jordet.
- Ikke eksponer elektriske verktøy for regn eller våte forhold.** Dersom det kommer vann inn i et elektrisk verktøy vil det øke risikoen for elektrisk sjokk.
- Ikke bruk ledningen feil. Aldri bruk ledningen til å bære, trekke eller dra ut støpselet til det elektriske verktøyet. Hold ledningen borte fra varme, olje, skarpe kanter eller bevegelige deler.** Skadede eller innviklede ledninger øker risikoen for elektrisk sjokk.
- Når du bruker et elektrisk verktøy utendørs, bruk en skjoteledning som er egnet for utendørs bruk.** Bruk av en skjoteledning beregnet for utendørs bruk reduserer risikoen for elektrisk sjokk.
- Dersom bruk av et elektrisk verktøy på et fuktig sted er unngåelig, bruk en strømkilde med jordfeilbryter**

(RCD). Bruk av jordfeilbryter (RCD) reduserer risikoen for elektrisk sjokk.

3) Personlig sikkerhet

- Hold deg våken, hold øye med det du gjør og bruk sunn fornuft når du bruker et elektrisk verktøy. Ikke bruk et elektrisk verktøy dersom du er trøtt eller er påvirket av medikamenter, narkotika eller alkohol.** Ett øyeblikks uoppmerksomhet under bruk av elektriske verktøy kan føre til alvorlig personskade.
- Bruk personlig verneutstyr. Bruk alltid vernebriller.** Verneutstyr slik som støvmaske, skliskre vernesko, hjelm, eller hørselsvern brukt under passende forhold vil redusere personskader.
- Unngå utilsiktet oppstart. Sikre at bryteren er i av-stillingen før du kobler til strømkilden og/eller batteripakken, plukker opp eller bærer verktøyet.** Å bære elektriske verktøy med fingeren på bryteren eller å sette inn støpselet mens elektriske verktøy har bryteren på øker faren for ulykker.
- Fjern eventuelle justeringsnøkler før du slår på det elektriske verktøyet.** En nøkkel som er festet til en roterende del av det elektriske verktøyet kan føre til personskade.
- Ikke strekk deg for langt. Ha godt fotfeste og stå støtt hele tiden.** Dette fører til at du har bedre kontroll over det elektriske verktøyet ved uventede situasjoner.
- Bruk egnet antrekk. Ikke ha på deg løstsittende klær eller smykker. Hold hår, antrekk og hansker borte fra bevegelige deler.** Løstsittende antrekk, smykker eller langt hår kan bli fanget opp av bevegelige deler.
- Hvis apparatet er utstyrt for tilkobling av støvutsugings- og -oppsamlingsinnretning, må du sørge for at disse er koblet til og ordentlig sikret.** Bruk av støvoppsamlere kan redusere støvrelaterte farer.
- Ikke la kunnskap som du har fått fra hyppig bruk av verktøy la deg bli for selvsikker slik at du ignorerer verktøyets sikkerhetsprinsipper.** En tankeløs handling kan føre til alvorlig personskade på brøkdelen av et sekund.

4) Bruk og vedlikehold av elektriske verktøy

- Ikke bruk kraft på verktøyet. Bruk det elektriske verktøyet som situasjonen krever.** Det riktige elektriske verktøyet vil gjøre jobben bedre og tryggere ved den hastigheten det ble konstruert for.
- Ikke bruk verktøyet hvis bryteren ikke kan slå verktøyet av eller på.** Ethvert elektrisk verktøy som ikke kan kontrolleres med bryteren er farlig og må repareres.
- Koble støpselet fra strømkilden og/eller ta batteripakken av det elektriske verktøyet, hvis den**

er avtakbar, før du foretar noen justeringer, endrer tilbehør eller lagrer elektriske verktøy. Slike preventive sikkerhetsforanstaltninger reduserer risikoen for å starte det elektriske verktøyet ved et uhell.

- d) **Lagre elektriske verktøy som ikke er i bruk, utilgjengelig for barn og la ikke personer som ikke er kjent med det elektriske verktøyet eller disse instruksjonene bruke det.** Elektriske verktøy er farlige i hendene på utrenede brukere.
- e) **Vedlikehold elektriske verktøy. Kontroller om bevegelige deler er feiljustert eller fastskjært, om deler er ødelagt eller andre forhold som kan påvirke driften av verktøyet. Dersom det er skadet, få verktøyet reparert før neste bruk.** Mange ulykker forårsakes av dårlig vedlikeholdte verktøy.
- f) **Hold skjæreverktøy skarpe og rene.** Godt vedlikeholdte skjæreverktøy med skarpe skjærekanter setter seg mindre sannsynlig fast og er lettere å kontrollere.
- g) **Bruk verktøyet, tilbehørene og bittene, osv., i samsvar med disse instruksjonene og ta i betraktning arbeidsforholdene og det arbeidet som skal utføres.** Bruk av det elektriske verktøyet for oppgaver som er forskjellige fra de som er tiltenkt kan føre til en farlig situasjon.
- h) **Hold håndtakene og gripeflatene tørre, rene og frie for olje og fett.** Glatte håndtak og gripeområder gir utrygg håndtering og manglende kontroll over verktøyet i uventede situasjoner.

5) Bruk og vedlikehold av batteridrevne verktøy

- a) **Bruk kun laderen som er spesifisert av produsenten.** En lader som passer for en type batteripakke kan føre til brannfare dersom den brukes med en annen batteripakke.
- b) **Bruk kun elektriske verktøy sammen med de spesifiserte batteripakkene.** Bruk av andre batteripakker kan skape risiko for skader eller brann.
- c) **Når batteripakken ikke er i bruk, hold den borte fra andre metallobjekter som binders, mynter, nøkler, spikere, skruer eller andre små metallobjekter som kan skape en forbindelse fra en batteripol til en annen.** Å kortslutte batteripolene kan føre til brannskader eller brann.
- d) **Ved hardhendt behandling kan det komme væske ut fra batteriet. Unngå kontakt med denne. Dersom du ved et uhell kommer i kontakt med væsken, skyll med vann. Dersom du får væsken i øynene, oppsøk lege umiddelbart.** Batterivæske kan føre til irritasjon eller forbrenninger.
- e) **Ikke bruk en batteripakke eller verktøy som er skadet eller modifisert.** Skadede eller modifiserte batterier kan oppføre seg uforutsigbart og føre til brann, eksplosjon eller fare for personskade.
- f) **Ikke utsett en batteripakke eller et verktøy for ild eller for høy temperatur.** Ild eller temperatur over 40 °C kan føre til en eksplosjon.

- g) **Følg alle anvisninger for lading og lad ikke batteripakken eller verktøyet ved temperaturer som avviker fra området spesifisert i bruksanvisningen.** Feilaktig lading eller lading ved temperaturer utenfor det angitte område kan skade batteriet og øker brannfaren.

6) Vedlikehold

- a) **Få det elektriske verktøyet ditt vedlikeholdt av en kvalifisert reparatør som kun bruker originale reservedeler.** Dette vil sikre at verktøyet sikkerhet blir ivarettatt.
- b) **Utfør aldri vedlikehold på skadede batteripakker.** Vedlikehold av batteripakker skal kun utføres av produsenten eller autoriserte serviceverksteder.

Ekstra sikkerhetsregler spesielt for skrutrekere

- **Hold det elektriske verktøyet kun i isolerte gripeoverflater når du utfører operasjoner hvor skruen kan komme i kontakt med skjulte ledninger.** Skruer som kommer i kontakt med en strømførende ledning kan føre til at eksponerte metalldeler på elektroverktøyet blir strømførende, og kan gi operatøren støt.

Restrisikoer

Til tross for at man følger relevante sikkerhetsbestemmelser og bruker sikkerhetsutstyr, er det bestemte farer som ikke kan unngås. De er:

- Hørselskader.
- Fare for personskade pga. flygende partikler.
- Fare for brannskader fordi utstyr blir varmt under bruk.
- Fare for personskade ved langvarig bruk.

TA VARE PÅ DENNE BRUKSANVISNINGEN

Ladere

Mac Tools ladere trenger ingen justeringer, og er designet til å være så enkle som mulig å bruke.

Elektrisk sikkerhet

Den elektriske motoren er blitt konstruert for kun én spenning. Alltid kontroller at spenningen til batteripakken samsvarer med spenningen på merkeskiltet. Sørg også for at spenningen på laderen samsvarer med spenningen på strømmettet.



Din Mac Tools-lader er dobbeltisolert i samsvar med EN60335; det trengs derfor ikke noen jordledning.

Dersom tilførselsledningen er skadet, må den byttes i en spesialledning som fås via Mac Tools-serviceorganisasjon.

Bruk av skjøteledning

Skjøteledning bør ikke brukes hvis det ikke er absolutt nødvendig. Bruk en godkjent skjøteledning som egner seg for kraftforsyningen til din lader (se **Tekniske data**). Minimum størrelse på lederen er 1 mm²; maksimum lengde er 30 m. Alltid vikle ut kabelen fullstendig når du bruker en kabeltrommel.

Viktige sikkerhetsinstruksjoner for alle batteriladere

TA VARE PÅ DENNE BRUKSANVISNINGEN: Denne manualen inneholder viktige sikkerhetsanvisninger og bruksanvisninger for kompatible batteriladere (se **Tekniske data**).

- Før du bruker laderen les alle instruksjoner og advarselmerker på laderen, batteripakken og produktet som bruker batteripakken.



ADVARSEL: Fare for støt. Ikke la væske komme inn i laderen. Det kan resultere i elektrisk støt.



ADVARSEL: Vi anbefaler bruk av en jordfeilsikring med en nominell strømverdi på 30mA eller mindre.



FORSIKTIG: Fare for brannskader. For å redusere faren for skader, lad kun Mac Tools oppladbare batterier. Andre type batterier kan sprekke og forårsake personskader og materielle skader.



FORSIKTIG: Barn må holdes under oppsyn, sørg for at de ikke leker med apparatet.

MERK: Under visse forhold, med laderen innpluggert i strømforsyningen, kan de eksponerte kontaktene i laderen kortsluttes av fremmedlegemer. Fremmedlegemer som kan lede strøm, inkludert, men ikke begrenset til stålull, aluminiumsfolie eller annen ansamling av metalliske partikler, må holdes unna åpningene i laderen. Kople alltid laderen fra strømtilførselen når det ikke er en batteripakk i hulrommet. Kople fra laderen før rengjøring.

- IKKE forsøk å lade batteripakken med andre ladere enn de som er nevnt i denne manualen.** Laderen og batteripakken er spesielt designet for å jobbe sammen.
- Disse ladere er ikke ment for annen bruk enn lading av Mac Tools oppladbare batterier.** Annen bruk kan resultere i brannfare og/eller elektrisk støt.
- Ikke utsett laderen for regn eller snø.**
- Dra i kontakten og ikke ledningen når du kople laderen fra strømmen.** Dette reduserer faren for skade på kontakten og ledningen.
- Påse at ledningen er plassert slik at den ikke trækkes på, snubles i, eller på annen måte utsettes for skade eller påkjenning.**
- Ikke bruk skjøteledning med mindre det er helt nødvendig.** Bruk av feil skjøteledning kan resultere i brannfare og/eller elektrisk støt.
- Ikke plasser noe på laderen og ikke plasser laderen på en myk overflate som kan blokkere ventilasjonsslissene og resultere i for høy innvendig temperatur.** Plasser laderen et sted unna varmekilder. Laderen ventileres gjennom slisser i toppen og bunnen av huset.
- Ikke bruk lader med skadet ledning eller kontakt**—bytt dem ut med en gang.
- Ikke bruk laderen dersom den har fått et slag, er mistet i gulvet eller skadet på annen måte.** Lever den på et autorisert serviceverksted.
- Ikke ta laderen fra hverandre; lever den på et autorisert serviceverksted når service eller reparasjon trengs.** Å sette den sammen feil kan resultere i elektrisk støt eller brann.

- Dersom ledningen er skadet må den byttes ut med en gang av produsenten, dens serviceagent eller lignende kvalifisert person for å unngå farer.
- Kople laderen fra strømtilførselen før du begynner med rengjøring. Dette reduserer faren for elektrisk støt.** Fjerning av batteripakken reduserer ikke denne faren.
- ALDRI forsøk på kople 2 ladere sammen.**
- Laderen er designet for å bruke standard 230V elektrisk strøm. Ikke forsøk å bruke den på annen spenning.** Dette gjelder ikke billaderen.

Lade et batteri (Fig. B)

- Plugg inn laderen i en passende stikkontakt for du setter inn batteripakken.
- Sett batteripakken **6** i laderen, pass på at batteripakken sitter godt i laderen. Det røde (lade) lyset blinker gjentatt som indikasjon på at ladeprosessen er startet.
- Fullført lading vises ved at det røde lyset er PÅ konstant. Pakken er da fullt oppladet og kan brukes, eller den kan bli stående i laderen. For å ta batteripakken ut av arbeidspakken, trykk inn og hold låseknappen **7** på batteripakken og ta den av.

MERK: For å sikre maksimum ytelse og levetid på Li-Ion batteripakker, lad batteripakken helt opp før første gangs bruk.

Bruk av lader

Se indikatorne under for batteripakkens ladetilstand.

Ladeindikatorer	
	lading
	fulladet
	varm/kald ladeforsinkelse*

*Det røde lyset vil fortsette å blinke, men et gult indikatorlys vil lyse under denne operasjonen. Når batteriet har kjølt seg ned, vil det gule lyset bli slått av og laderen vil gjenoppta ladeprosedyren.

Kompatible ladere vil ikke lade en defekt batteripakke. Laderen vil indikere et defekt batteri ved at lyset ikke tennes.

MERK: Dette kan også tyde på et problem med laderen. Dersom laderen indikerer et problem, ta med lader og batteripakke til et servicesenter for testing.

Ventetid for varm/kald pakke

Dersom laderen detekterer et batteri som er for varmt eller for kaldt, vil den automatisk starte en "varm/kald pakke forsinkelse", og venter med å lade til batteriet har passende temperatur. Laderen vil deretter automatisk skifte til lademodus for pakken. Denne funksjonen sikrer maksimal levetid på batteriet.

En kald batteripakke vil lade langsommere enn en varm batteripakke. Batteripakken vil lade langsommere gjennom hele ladesyklusen, og vil ikke gå tilbake til maksimal ladehastighet selv om batteriet blir varmt.

Elektronisk beskyttelsessystem


Mac Tools Li-ione verktøy er designet med et elektronisk beskyttelsessystem som vil beskytte batteriet mot overlading, overoppvarming eller dyp utlading.

Verktøyet vil automatisk slå seg av dersom beskyttelsessystemet aktiveres (Electronic Protection System). Dersom det skjer, sett litium-ion batteriet på laderen til det er helt oppladet igjen.

Veggmontering

Disse laderne er designet for å monteres på vegg eller stå på et bord eller arbeidsbenk. Dersom den skal monteres på veggen, plasser laderen innen rekkevidde fra en stikkontakt og unna hjørner eller andre hindringer som kan stoppe luftstrømmen. Bruk baksiden av laderen som mal for å bore hull i veggen for monteringsskrue. Monter laderen godt med gipsskruer (må kjøpes separat) minst 25,4 mm lange med hodediameter 7–9 mm, som skrues inn i treverk til optimal dybde med omtrent 5,5 mm av skruen som stikker ut. Rett inn sporene på baksiden av laderen med de utstikkende skrueene og lås på plass i sporene.

Rengjøringsanvisninger for lader

 **ADVARSEL: Fare for støt. Koble laderen fra strømuttaket før rengjøring.** Smuss og fett kan fjernes fra laderen ved hjelp av en klut eller en myk, metallfri børste. Ikke bruk vann eller rengjøringsvæsker. Aldri la noen væske trenge inn i verktøyet; aldri dypp noen del av verktøyet i en væske.

Batteripakke

Viktige sikkerhetsinstruksjoner for alle batteripakker

Sørg for å inkludere katalognummer og spenning når du bestiller nye batteripakker.

Batteriet kommer ikke fullstendig ladet ut av pakningen. Les sikkerhetsinstruksjonene under før du bruker batteripakken og laderen. Følg deretter ladeprosedyrene som er beskrevet.

LES ALLE INSTRUKSJONER

- **Ikke lad eller bruk batteriet i eksplosive omgivelser, slik som i nærheten av antennelige væsker, gasser eller støv.** Innsetting eller uttak av batteriet kan antenne støvet eller gassen.
- **Tving aldri batteripakken inn i laderen. Ikke modifier batteripakken på noen måte for å passe inn i en ikke-kompatibel lader idet batteripakken kan sprekke og forårsake alvorlig personskade.**
- *Lad batteripakkene kun i Mac Tools ladere.*
- **IKKE sprut på eller senke ned i vann eller andre væsker.**
- **Ikke lagre eller bruk verktøyet eller batteripakken på steder der temperaturen kan nå eller overstige 40 °C (104 °F) (som utenfor skur eller metallbygg på sommeren).**
- **Ikke brenn batteripakken selv om den er alvorlig skadet eller fullstendig utslitt.** Batteripakken kan eksplodere i en brann. Giftige gasser og materialer oppstår når man brenner litium ion-batteripakker.

- **Hvis batteriets innhold kommer i kontakt med huden, vasker du området med mild såpe og vann.** Hvis du får batterivæske på øyet, skyller du det åpne øyet i 15 minutter eller til irritasjonen gir seg. I tillegg det trenge medisinsk tilsyn, er batteriets elektrolytt sammensatt av en blanding av organiske karbonater og litium-salter.
- **Innholdet i åpne battericeller kan forårsake irritasjon av luftveiene.** Skaff frisk luft. Søk medisinsk ettersyn hvis symptomene vedvarer.



ADVARSEL: Fare for brannskader. Batterivæskene kan antennes hvis den utsettes for gnister eller flammer.



ADVARSEL: Forsøk aldri å åpne batteripakken av noen årsak. Ikke sett i laderen dersom batteripakkens ytre er sprukket eller skadet. Ikke knus, slipp i gulvet eller skad batteripakken. Ikke bruk en batteripakke eller lader som har fått et slag, er mistet i gulvet, påkjørt eller skadet på annen måte (f.eks. gjennomboret av en spiker, slått med hammer, tråkket på). Det kan resultere i elektrisk støt. Skadede batteripakker skal leveres til servicesenteret for gjenvinning.



ADVARSEL: Fare for brann. Ikke lagre eller transporter batteripakken slik at batteripolene kan komme i kontakt med metallobjekter. For eksempel, ikke legg batteriet i forkle, lommer, verktøyskrin, produktesker, skuffer etc. sammen med løse spikere, skruer, nøkler, etc.



FORSIKTIG: Når det ikke er i bruk plasser verktøyet på siden på en stabil overflate der det ikke skaper fare for snubling eller fall. Noen verktøy med store batteripakker kan stå på batteripakken, men kan lettes slås overende.

Transport



ADVARSEL: Fare for brann. Transport av batterier kan kanskje føre til brann dersom batteripolene utilsikket kommer i kontakt med elektrisk ledende materialer. Ved transport av batterier, pass på at batteripolene er beskyttet og godt isolerte fra materialer som kan komme i kontakt og føre til kortslutning.

MERK: Lithium-ione batterier skal ikke være med i innsjekket bagasje.

Mac Tools batterier samsvarer med alle aktuelle shipping-forskrifter som angitt av bransjen og lovregler, inkludert UN Recommendations on the Transport of Dangerous Goods; International Air Transport Association (IATA) Dangerous Goods Regulations, International Maritime Dangerous Goods (IMDG) Regulations, og European Agreement Concerning The International Carriage of Dangerous Goods by Road (ADR). Litium-ion celler og batterier er testet i henhold til avsnitt 38,3 i "UN Recommendations on the Transport of Dangerous Goods Manual of Tests and Criteria".

I de fleste tilfeller vil forsendelse av en Mac Tools batteripakke være unntatt fra klassifisering som en fullt regulert Class 9 Hazardous Material. Vanligvis vil bare forsendelser som inneholder et litium-ione batteri med høyere energiklassifisering enn 100 watt-timer (Wh) kreve forsendelse som fullt regulert Class 9. Alle litium-ione batterier har angitt watt-timer på

pakken. Men på grunn av de kompliserte reglene anbefaler Mac Tools ikke å sende litium-ione batteripakker med fly, uansett watt-time klassifisering. Forsendelser av verktøy med batterier (kombinerte sett) kan unntaksvis sendes med fly dersom angitt watt-timer på batteripakken er under 100 Wh. Uansett om en transport regnes som unntatt eller fullt regulert, er det senderens ansvar å sjekke de gjeldende reglene for pakking, etiketter/merking og dokumentasjon.

Informasjonen i dette avsnittet av manualen er gitt i god tro og ansett som nøyaktig på tidspunktet dokumentet ble opprettet. Men det gis ingen garantier, hverken eksplisitt eller implisitt. Det er kjøperens ansvar å sikre at aktivitetene samsvarer med de gjeldende retningslinjer.

Anbefalinger for lagring

1. Den ideelle lagringsplassen er kjølig og tørr og ikke utsatt for direkte solskinn samt for sterk varme eller kulde. For optimal batteriytelse og levetid bør batteripakker lagres i romtemperatur når de ikke er i bruk.
2. For lang tids lagring, anbefales det for optimalt resultat å lagre en fullt ladet batteripakke på et kjølig og tørt sted uttatt av laderen.

MERK: Batteripakker bør ikke lagres fullt utladet. Batteripakken må lades opp igjen før bruk.

Merking på laderen og batteripakken

I tillegg til piktogrammene som er brukt i denne manualen, kan etikettene på laderen og batteripakken vise følgende piktogrammer:



Les instruksjonshåndboken før bruk.



Se **Tekniske data** for ladetid.



Ikke undersøk med strømførende gjenstander.



Ikke lad skadede batteripakker.



Ikke utsett for vann.



Få byttet defekte ledninger omgående.



Lades kun mellom 4 °C og 40 °C.



Kun for innendørs bruk.



Deponer batteripakken på miljøvennlig vis.

LI-ION



Lad kun Mac Tools batteripakker med de angitte Mac Tools laderne. Lading av andre batteripakker enn de angitte Mac Tools batteriene med en Mac Tools lader kan føre til at de sprekker eller til andre farlige situasjoner.



Ikke brenn batteripakken.

Batteritype

MCF601 bruker en 12 volt batteripakke.

Disse batteripakkene kan brukes: MBR124, MBR127. Se

Tekniske Data for mer informasjon.

Pakkens innhold

Pakken inneholder:

- 1 Skrutrekker
- 1 Lader
- 1 Li-ion batteripakke (C1, D1, L1, M1, P1, S1, T1, X1, Y1 modeller)
- 2 Li-ion batteripakker (C2, D2, L2, M2, P2, S2, T2, X2, Y2 modeller)
- 3 Li-ion batteripakker (C3, D3, L3, M3, P3, S3, T3, X3, Y3 modeller)
- 1 Instruksjonshåndbok

MERK: Batteripakker, ladere og koffertar er ikke inkludert med N-modeller. Batteripakker og ladere er ikke inkludert med NT-modeller.

MERK: Varemerker og merkenavn er eiet av sine respektive eiere.

- Se etter skader på verktøyet, deler eller tilbehør som kan ha oppstått under transport.
- Ta deg tid til å lese grundig gjennom og forstå denne håndboken før bruk.

Merking på verktøyet

Følgende piktogrammer vises på verktøyet:



Les instruksjonshåndboken før bruk.



Bruk hørselvern.



Bruk vernebriller.



Synlig stråling. Ikke se inn i lyset.

Datokode plassering (Fig. A)

Datokoden **10**, som også inkluderer produksjonsåret, er trykket på huset.

Eksempel:

2019 XX XX
Produksjonsår

Beskrivelse (Fig. A)

⚠ ADVARSEL: Aldri modifierer elektroverktøyet eller noen del av det. Dette kan føre til materiell- eller personskader.

- 1 Avtrekksbryter for variabel hastighet
- 2 Fremover/bakover knapp
- 3 Momentjusteringskrage
- 4 Hurtiglås-chuck
- 5 Hovedhåndtak
- 6 Batteripakke
- 7 Festeknapp for batteriet
- 8 Arbeidslys
- 9 Hurtiglås-chuck krage

Tiltenkt Bruk

Denne skrutekkeren er designet for profesjonelt skrutekking.

IKKE bruk når det er vått eller i nærheten av antennelige væsker eller gasser.

Denne skrutekkeren er et profesjonelt elektroverktøy.

IKKE la barn komme i kontakt med verktøyet. Uerfarne operatører trenger tilsyn når de bruker dette verktøyet.

- Dette apparatet er ikke ment for bruk av personer (inkludert barn) med reduserte fysiske, sensoriske eller mentale evner, eller mangel på erfaring og kunnskap, med mindre de får tilsyn av en person ansvarlig for deres sikkerhet. Barn skal aldri forlates alene med dette produktet.

MONTERING OG JUSTERING

⚠ ADVARSEL: For å redusere risikoen for alvorlig personskade, slå av verktøyet og koble fra batteripakken før du foretar eventuelle justeringer eller fjerner/installerer tilleggsutstyr eller tilbehør. En utilsiktet oppstart kan føre til personskader.

⚠ ADVARSEL: Bruk kun batteripakker og ladere fra Mac Tools.

Sette inn og ta av batteripakke på verktøyet (Fig. B)

MERK: For best resultat, pass på at batteripakken 6 er helt oppladet før bruk.

For å installere batteripakken i verktøyets håndtak

1. Rett inn batteripakken 6 mot skinnene i håndtaket (Fig. B).
2. Skyv den inn i håndtaket til batteripakken er godt festet i verktøyet, pass på at den ikke løsner.

For å fjerne batteripakken fra verktøyet

1. Trykk batteriets festeknapp 7 og trekk batteriet bestemt ut av håndtaket.
2. Sett batteripakken i laderen som beskrevet i laderavsnittet i denne manualen.

Ladeindikator batteripakker (Fig. B)

Noen Mac Tools batteripakker inkluderer en ladeindikator som består av tre grønne LED som indikerer hvor mye lading som er igjen i batteripakken.

For å aktivere ladeindikatoren, trykk og hold indikatorknappen 11. En kombinasjon av tre grønne LED-lys vil lyse og vise gjenværende lading. Dersom gjenværende lading av batteriet er under brukbar grense, vil ingen lys tennes og batteriet må lades opp.

MERK: Ladeindikatoren er bare en indikasjon av gjenværende lading i batteripakken. Den gir ingen indikasjon på om verktøyet fortsatt kan brukes, og kan variere med produktkomponentene, temperatur og brukerens bruksområde.

BRUK

Bruksanvisning

⚠ ADVARSEL: Ta alltid hensyn til sikkerhetsinstruksjonene og gjeldende forskrifter.

⚠ ADVARSEL: For å redusere risikoen for alvorlig personskade, slå av verktøyet og koble fra batteripakken før du foretar eventuelle justeringer eller fjerner/installerer tilleggsutstyr eller tilbehør. En utilsiktet oppstart kan føre til personskader.

Korrekt plassering av hendene (Fig. C)

⚠ ADVARSEL: For å redusere faren for alvorlig personskade, skal man ALLTID ha hendene i korrekt posisjon, som vist.

⚠ ADVARSEL: For å redusere faren for personskade, skal man ALLTID holde godt fast, for å være forberedt på en plutselig reaksjon.

Riktig håndstilling er å ha en hånd på hovedhåndtaket 5.

Avtrekksbryter for variabel hastighet (Fig. A)

For å bruke verktøyet, klem avtrekksbryteren 1. For å slå av verktøyet, slipp avtrekksbryteren. Verktøyet er utstyrt med en brems. Chucken stopper så fort avtrekksbryteren slippes helt. Avtrekksbryteren for variabel hastighet lar deg starte med en lav hastighet. Jo mer du klemmer avtrekksbryteren, desto raskere roterer verktøyet. For maksimum levetid på verktøyet, bruk variabel hastighet kun for å starte hull eller skruer.

MERK: Kontinuerlig bruk ved variabel hastighet anbefales ikke. Det kan skade bryteren og bør unngås.

Fremover/bakover kontrollknapp (Fig. A)

En fremover/bakover kontrollknapp 2 bestemmer verktøyets retning, og fungerer også som en låseknap.

For å velge rotasjon fremover, slipp avtrekksbryteren og trykk fremover/bakover kontrollknappen mot høyresiden av verktøyet.

For å velge bakover, trykk fremover/bakover kontrollknappen mot venstresiden av verktøyet. Når kontrollknappen står i midten er verktøyet låst. Når du skifter kontrollknappens posisjon, påse at avtrekksbryteren er sluppet.

MERK: Første gang verktøyet kjøres etter endring av rotasjonsretning kan det hende at du hører en klikk ved oppstart. Dette er normalt og er ikke et tegn på et problem.

Arbeidslys (Fig. A)

Det finnes tre arbeidslys 8 rundt chuck-kragen 9. Arbeidslyset aktiveres når avtrekksbryteren klemmes.

Når avtrekkeren slippes, vil arbeidslampen være på i opp til 20 sekunder til. Dersom du fortsetter å holde avtrekkeren inne, forblir arbeidslysene på.

MERK: Arbeidsliset er for å belyse den nærmeste arbeidsflaten, og er ikke ment å brukes som lykt.

Momentjusteringskrage (Fig. A)

Momentjusteringskragen **3** er klart merket med sifre og maks posisjonen. Kragen skal roteres inntil ønsket innstilling står øverst på verktøyet. Merker er plassert på kragen for å eliminere gjetting ved valg av tiltrekkingsmoment. Jo høyere siffer på kragen, desto høyere moment og desto større skrue kan brukes. For å låse chocken for boring, flytt til max-posisjonen.

Hurtiglås-chuck (Fig. A, D)

MERK: Hurtiglås-chucken **4** kan bruke 6,35 mm sekskanttilbehør. Bruk av 25 mm bits gir bedre tilgang på trange steder.

Sett fremover/bakover knappen **2** i låst (snetter) posisjon eller ta av batteripakken før du skifter tilbehør.

Bit vist i Figur E er typisk for bruk i hurtiglås-chucken **4** med spor **12** som er nødvendig for å holde bit-en fast.

For å installere tilbehør, skyv tilbehøret helt inn i hurtiglås-chucken **4**. Chuck-kragen **9** behøver ikke å trekkes opp for å låse tilbehøret på plass.

For å ta av tilbehør, trekk kragen på hurtiglås-chucken **9** ut fra verktøyet. Ta av tilbehøret og slipp kragen.

Skrutrekker-modus (Fig. A)

Velg ønsket moment-tall ved hjelp av momentjusteringskragen **3** på toppen av verktøyet.

Sett inn ønsket skruverktøy i chocken som ved en vanlig skrutrekker-bit. Gjør noen øvelses-trekk i skrap eller på et lite synlig sted for å finne korrekt posisjon av clutchkragen.

Bore-modus

⚠ ADVARSEL: For å redusere faren for alvorlig personskade, sett fremover/bakover knappen i låsposisjonen eller slå av verktøyet og koble fra batteripakken før du gjør justeringer eller fjerner/monterer tilbehør.

⚠ ADVARSEL: For å redusere risikoen for personskade, pass på at arbeidsstykke **ALLTID** er festet eller klemt godt fast. Dersom du borer i tynt materiale, bruk en "støtteblokk" bak for å hindre skade på materialet.

Vri kragen til max-posisjon for boring.

1. Bruk kun drillbits med sekskantet skaft.
2. Bruk alltid trykk som virker rett ned på bit-en. Bruk nok trykk for å sikre at bit-en biter, men ikke trykk så hardt at motoren stopper eller bit-en skjærer ut.
3. Hold verktøyet godt med begge hender for å kontrollere vribevegelsen i verktøyet.

⚠ ADVARSEL: Skrutrekkeren kan låse seg dersom overbelastning fører til plutselig vridning. Vær alltid forberedt på låsing. Grip skrutrekkeren godt med begge hender for å motvirke vridning og unngå personskader.

4. DERSOM skrutrekkeren LÅSER SEG, er det som regel fordi den overbelastes eller brukes feil. SLIPP AVTREKKEREN STRAKS, ta bit-en ut av arbeidsstykket og finn grunnen til at den låste seg. **IKKE KLIKK AVTREKKEREN PÅ OG AV FOR Å FORSØKE Å STARTE ET LÅST VERKTØY – DET KAN SKADE VERKTØYET.**
5. For å minimalisere låsing eller brudd i materialet, reduser trykker på skrutrekkeren og la bit-en gå lett gjennom det siste stykket av hullet.
6. Hold motoren i gang når du trekker en bit tilbake ut av hullet. Dette bidrar til å hindre låsing.
7. Med skrutrekkeren med variabel hastighet er det ikke behov å sentermarkere hullet som skal bores. Bruk lav hastighet for å starte hullet, og øk farten ved å trykke inn avtrekkeren når hullet er dypt nok til at bit-en ikke hopper ut.

VEDLIKEHOLD

Ditt Mac Tools elektriske verktøy er designet for å virke over en lang tidsperiode med et minimum av vedlikehold. Kontinuerlig tilfredsstillende drift avhenger av tilfredsstillende stell av verktøyet og regelmessig renhold.

⚠ ADVARSEL: For å redusere risikoen for alvorlig personskade, slå av verktøyet og koble fra batteripakken før du foretar eventuelle justeringer eller fjerner/installerer tilleggsutstyr eller tilbehør. En utilsiktet oppstart kan føre til personskader.

Laderen og batteripakken er vedlikeholdsfrie.



Smøring

Ditt elektriske verktøy trenger ikke ekstra smøring.



Rengjøring

⚠ ADVARSEL: Blås skitt og støv ut av hovedkabinettet med tørr luft når skitt samles inne i og rundt luftåpningene. Bruk godkjent øyebeskyttelse og godkjent støvmaske når du utfører denne prosedyren.

⚠ ADVARSEL: Aldri bruk løsemidler eller sterke kjemikalier for å rengjøre ikke-metalliske deler av verktøyet. Disse kjemikalierne kan svekke materialene som brukes i disse delene. Bruk en klut som bare er fuktet med vann og mild såpe. Aldri la noen væske trenge inn i verktøyet; aldri dypp noen del av verktøyet i en væske.

Tilleggsutstyr

⚠ ADVARSEL: Bruk av annet tilleggsutstyr enn det som tilbys av Mac Tools kan være farlig, ettersom dette ikke er testet sammen med dette verktøyet. For å redusere faren for skader, bør kun tilleggsutstyr som er anbefalt av Mac Tools brukes sammen med dette produktet.

Ta kontakt med din forhandler for ytterligere informasjon om egnet ekstraputstyr.

Beskyttelse av miljøet



Separat innsamling. Produkter og batterier merket med dette symbolet skal ikke kastes i vanlig husholdningsavfall.

■ Produkter og batterier inneholder materialer som kan gjenvinnes eller gjenbrukes, som reduserer behovet for råmaterialer. Vennligst lever elektriske produkter og batterier til gjenbruk i henhold til lokale regler. Mer informasjon får du på www.2helpU.com.

Oppladbar batteripakke

Denne langtids batteripakken må lades på nytt når den ikke lenger produserer nok strøm til jobber som enkelt kunne utføres tidligere. Ta hensyn til miljøet når batteripakken må kasseres:

- Lad batteripakken helt ut, og ta den ut av verktøyet.
- Litium-ion celler kan gjenbrukes. Lever dem til forhandleren eller en lokal gjenbruksstasjon. De innleverte batteripakkene vil gjenbrukes eller avfallsbehandles korrekt.

RUUVINVÄÄNNIN MCF601

Onnitelut!

Olet valinnut Mac Tools-työkalun. Monien vuosien kokemus, huolellinen tuotekehitys ja innovaatiot tekevät Mac Tools-työkaluista luotettavia kumppaneita ammattilaisille.

Tekniset tiedoissa

		MCF601
Jännite	V _{DC}	12
Tyyppi		1
Akkutyyppe		Li-Ion
Kuormittamaton nopeus	min. ⁻¹	0–1400
Laitteen pidike	mm	6,35
Poran enimmäishalk. ø	mm	10
Paino (ilman akkupakkausta)	kg	0,71

Ääni- ja/tai värinäarvot (triaksiaalinen vektorisumma) seuraavan mukaisesti EN62841-2-2 mukaisesti:

L _{PA} (äänenpainetaso)	dB(A)	69
L _{WA} (äänitehotaso)	dB(A)	80
K (määritetyn äänitason epävarmuus)	dB(A)	3
Tärinäpäästöarvo a _n =	m/s ²	< 2,5
Vaihtelu K =	m/s ²	1,5

Tässä käyttöohjeessa ilmoitetut värinä- ja/tai äänitasot on mitattu standardin EN62841 mukaisesti. Niitä voidaan käyttää verrattaessa työkaluja keskenään. Sitä voidaan käyttää arvioitaessa altistumista.

VAROITUS: Ilmoitetut värinä- ja/tai äänitasot esiintyvät käytettäessä työkalua sen varsinaiseen käyttötarkoitukseen. Värinä- ja/tai äänitasot voivat vaihdella, jos työkalua käytetään johonkin muuhun tarkoitukseen, siihen on kiinnitetty muita lisävarusteita tai sitä on hoidettu huonosti. Tämä voi vaikuttaa merkittävästi altistumiseen imuria käytettäessä. Tärinälle ja/tai äänelle altistumisen tason arvioinnissa tulee myös ottaa huomioon ne ajat, jolloin työkalusta katkaistaan virta tai se toimii tyhjäkäynnillä. Tämä voi vähentää merkittävästi altistumistasoa työkalua käytettäessä.

Työkalun käyttäjän altistumista tärinälle ja/tai äänelle voidaan vähentää merkittävästi pitämällä työkalu ja sen varusteet kunnossa, pitämällä kädet lämpiminä (tärinää varten) ja kiinnittämällä huomiota työn jaksottamiseen.

EU-yhdenmukaisuusilmoitus

Konedirektiivi



Ruuvinväännin MCF601

Mac Tools vakuuttaa, että nämä tuotteet täyttävät seuraavat määräykset:

2006/42/EU, EN62841-1:2015, EN62841-2-2:2014.

Nämä tuotteet täyttävät direktiivin 2014/30/EY ja 2011/65/EY vaatimukset. Saat lisätietoja ottamalla yhteyden Mac Toolsiin. Osioitteet näkyvät käyttöohjeen takisivulla.

Allekirjoittaja vastaa **Teknisistä tiedoista** ja antaa tämän vakuutuksen Mac Toolsin puolesta.

Markus Rompel

Tekniikan varajohtaja, PTE Europe
Mac Tools, Richard-Klinger-Strasse 11,
D-65510, Idstein, Germany
14.01.2019



VAROITUS: Loukkaantumisen riskin vähentämiseksi lue tämä käyttöohje.

Määritelmät: Turvallisuusohjeet

Alla näkyvät selitykset liittyvät turvallisuuteen. Lue käyttöohje ja kiinnitä huomiota näihin symboleihin.



VAARA: Ilmaisee, että on olemassa **hengen- tai vakavan henkilövahingon vaara**.



VAROITUS: Ilmoittaa, että on olemassa **hengen- tai vakavan vaaran mahdollisuus**.



HUOMIO: Tarkoittaa mahdollista vaaratilannetta. Ellei tilannetta korjata, saattaa aiheutua **lievä tai keskinkertainen loukkaantuminen**.

HUOMAUTUS: Viittaa menettelyyn, joka ei **välttämättä aiheuta henkilövahinkoa mutta voi aiheuttaa omaisuusvahingon**.



Sähköiskun vaara.



Tulipalon vaara.

Akku				Laturit/Latausajat (minuutteina)	
Kat. #	V _{DC}	Ah	Paino (kg)	MCB112	MCB115
MBR124	12	3,0	0,28	90	45
MBR127	12	2,0	0,23	60	30

SÄHKÖTYÖKALUN YLEISET TURVALLISUUSVAROITUKSET



VAROITUS: Lue kaikki tämän sähkötyökalun mukana toimitetut varoitukset, käyttöohjeet ja tekniset tiedot. Jos kaikkia ohjeita ei noudateta, on olemassa sähköiskun, tulipalon ja/tai vakavan henkilövahingon vaara.

SÄILYTTÄ KAIKKI VAROITUKSET JA OHJEET MYÖHEMPÄÄ KÄYTTÖÄ VARTEN

Näissä varoituksissa käytettävä sähkötyökalu-ilmaus viittaa verkkovirtaan yhdistettävään tai akkukäyttöiseen työkaluun.

1) Työskentelyalueen Turvallisuus

- Pidä työskentelyalue siistinä ja kirkkaasti valaistuna.** Onnettomuksia sattuu herkemmin epäsiistissä tai huonosti valaistussa ympäristössä.
- Älä käytä sähkötyökaluja, jos on olemassa räjähdysvaara esimerkiksi syttyvien nesteiden, kaasujen tai pölyn vuoksi.** Sähkötyökalujen aiheuttamat kipinät voivat sytyttää pölyn tai kaasut.
- Pidä lapset ja sivulliset kaukana käyttäessäsi sähkötyökalua.** Keskeytymiskyyn herpaantuminen voi aiheuttaa hallinnan menettämisen.

2) Sähköturvallisuus

- Pistokkeen ja pistorasian on vastattava toisiaan. Älä koskaan tee pistokkeeseen mitään muutoksia. Älä yhdistä maadoitettua sähkötyökalua jatkojohtoon.** Sähköiskun vaara vähenee, jos pistokkeisiin ei tehdä muutoksia ja ne yhdistetään vain niille tarkoitettuihin pistorasioihin.
- Älä kosketa maadoituksessa käytettäviin pintoihin, kuten putkiin, lämpöpattereihin ja jäähdytyslaitteisiin.** Voit saada sähköiskun, jos kehosi on maadoitettu.
- Älä altista sähkötyökaluja sateelle tai kosteudelle.** Sähkötyökaluun menevä vesi lisää sähköiskun vaaraa.
- Älä vaurioita sähköjohtoa. Älä kanna työkaluja sähköjohdosta tai vedä pistoketta pistorasiasta sähköjohdon avulla. Pidä sähköjohto kaukana kuumuudesta, öljystä, terävistä reunoista tai liikkuvista osista.** Vaurioituneet tai sokeutuneet johdot lisäävät sähköiskun vaaraa.
- Jos käytät sähkötyökalua ulkona, käytä vain ulkokäyttöön tarkoitettua jatkojohtoa.** Ulkokäyttöön tarkoitettun sähköjohdon käyttäminen vähentää sähköiskun vaaraa.

- Jos sähkötyökalua on käytettävä kosteassa paikassa, käytä vikavirtasuojaa.** Tämä vähentää sähköiskun vaaraa.

3) Henkilösuojaus

- Käyttäessäsi sähkötyökalua pysy valppaana, keskity työhön ja käytä tervettä järkeä. Älä käytä tätä työkalua ollessasi väsynyt tai alkoholin, huumeiden tai lääkkeiden vaikutuksen alaisena.** Keskeytymisen herpaantuminen hetkeksikin sähkötyökalua käyttäessä voi aiheuttaa vakavan henkilövahingon.
- Käytä henkilösuojausvarusteita. Käytä aina suojalaseja.** Hengityssuojaimen, liukumattomien turvajalkineiden, kypärän ja kuulosuojaimen käyttäminen vähentää henkilövahinkojen vaaraa.
- Estä tahaton käynnistäminen. Varmista, että virtakytkin on OFF-asennossa, ennen kuin kytket sähkötyökalun pistorasiaan, yhdistät siihen akun, nostat työkalun käteesi tai kannat sitä.** Sähkötyökalun kantaminen sormi virtakytkimellä lisää onnettomuusvaaraa.
- Poista kaikki säätöavaimet tai vääntimet ennen sähkötyökalun käynnistämistä.** Sähkötyökalun pyöriivään osaan jäänyt säätöavain tai väännin voi aiheuttaa henkilövahingon.
- Älä kurkottele. Seiso aina vakaasti tasapainossa.** Näin voit hallita sähkötyökalua paremmin odottamattomissa tilanteissa.
- Pukeudu oikein. Älä käytä löysiä vaatteita tai koruja. Pidä hiukset, vaatteet ja kädet loitolla liikkuvista osista.** Löysät vaatteet, korut tai pitkät hiukset voivat tarttua liikkuviin osiin.
- Jos käytettävissä on laitteita pölyn ottamiseksi talteen, käytä niitä.** Pölyn ottaminen talteen voi vähentää pölyn aiheuttamia vaaroja.
- Vaikka käyttäisit usein erilaisia työkaluja, vältä liiallista itsevarmuutta ja huomioi aina työkalun turvallisuusohjeet.** Epähuomiossa suoritettut toimenpiteet voivat johtaa vakaviin henkilövahinkoihin sekunnin murto-osassa.

4) Sähkötyökaluista Huolehtiminen

- Älä kohdista sähkötyökaluun liikaa voimaa. Valitse käyttötarkoituksen kannalta oikea sähkötyökalu.** Sähkötyökalu toimii paremmin ja turvallisemmin, kun sitä käytetään sille suunniteltuun käyttötarkoitukseen.
- Älä käytä työkalua, jos virtakytkin ei toimi.** Jos sähkötyökalua ei voi hallita kytkimen avulla, se on vaarallinen ja se on korjattava.
- Irrota sähkötyökalun pistoke pistorasiasta ja/ tai irrota sen akku (jos irrotettavissa) ennen**

säättämistä, varusteiden vaihtamista tai sähkötyökalun asettamista säilytykseen. Näin voit vähentää vahingossa käynnistymisen aiheuttaman henkilövahingon vaaraa.

- d) **Varastoi sähkötyökaluja lasten ulottumattomissa. Älä anna sähkötyökaluihin tottumattomien tai näihin ohjeisiin perehtymättömien henkilöiden käyttää sähkötyökaluja.** Sähkötyökalut ovat vaarallisia kouluttamattomien käyttäjien käsissä.
- e) **Pidä sähkötyökalut kunnossa. Tarkista liikkuvat osat, niiden kiinnitys, osien eheys ja muut toimintaan vaikuttavat tekijät. Jos havaitset vaurioita, korjauta sähkötyökalu ennen niiden käyttämistä.** Huonosti kunnossapidetyt sähkötyökalut aiheuttavat onnettomuuksia.
- f) **Pidä leikkaavat pinnat terävinä ja puhtaina.** Kunnossa pidettyjen leikkaavien teräviä reunoja sisältävien työkalut todennäköisyys jumiutua vähenee, ja niitä on helpompi hallita.
- g) **Käytä sähkötyökaluja ja sen tarvikkeita, kuten poranteriä, näiden ohjeiden mukaisesti. Ota työskentelyolosuhteet ja tehtävä työ huomioon.** Jos sähkötyökalua käytetään näiden ohjeiden vastaisesti, voi syntyä vaaratilanne.
- h) **Pidä kahvat ja tartuntapinnat kuivina, puhtaina sekä öljyttöminä ja rasvattomina.** Liukkaat kahvat ja pinnat heikentävät työkalun hallinnan ja ohjauksen turvallisuutta odottamattomissa tilanteissa.

5) Akkukäyttöisten Työkalujen Käyttäminen ja Niistä Huolehtiminen

- a) **Käytä ainoastaan valmistajan suosittelemaa latauslaitetta.** Tietyn tyyppiselle akulle soveltuva latauslaite voi aiheuttaa tulipalon vaaran käytettynä yhdessä toisen akun kanssa.
- b) **Käytä sähkötyökalussa vain siihen tarkoitettuja akkuja.** Muiden akkujen käyttäminen voi aiheuttaa tulipalon tai onnettomuuden vaaran.
- c) **Kun akku ei ole käytössä, pidä se poissa muiden metalliesineiden läheltä, kuten paperiliittimien, kolikoiden, avainten, nauhojen, ruuvien tai muiden pienten esineiden läheltä. Ne voivat oikosulkea akun navat.** Akun napojen oikosulkeminen voi aiheuttaa palovamman tai tulipalon.
- d) **Oikosulku voi aiheuttaa nesteen vuotamisen akusta. Vältä koskemasta tähän nesteeseen. Jos nestettä pääsee vahingossa iholle, huuhtelee vedellä. Jos tätä nestettä pääsee silmään, ota yhteys lääkäriin.** Akkuneste voi ärsyttää tai aiheuttaa palovamman.
- e) **Vaurioitunutta tai muokattua akkua tai työkalua ei saa käyttää.** Vaurioituneissa tai muokatuissa akuissa voi esiintyä odottamattomia häiriöitä, jotka voivat aiheuttaa tulipaloja, räjähdysvaaroja tai henkilövahinkoja.
- f) **Akku ja työkalu tulee suojata tulta ja liian korkealta lämpötilalta.** Mikäli akku altistuu tullelle tai yli 40 °C lämpötilalle, seurauksena voi olla räjähdys.

- g) **Noudata kaikkia latausohjeita, akkua tai työkalua ei saa ladata ohjeissa annettujen lämpötilavälkien ulkopuolella.** Virheellisen latauksen tai annettujen lämpötilavälkien ulkopuolella lataamisen seurauksena akku voi vaurioitua ja tulipalovaara kasvaa.

6) Huolto

- a) **Korjauta työkalu valtuutetulla asentajalla. Varaosina on käytettävä vain alkuperäisiä vastaavia osia.** Tämä varmistaa sähkötyökalun turvallisuuden.
- b) **Vaurioituneita akkuja ei saa koskaan huoltaa.** Ainoastaan valmistaja tai valtuutetut huoltoliikkeet saavat huoltaa akkuja.

Lisäturväsäätöjä ruuvinvääntimille

- **Tartu kiinni koneen eristetyistä tartuntapinnoista, jos kiinnitettäessä on vaara osua piilossa oleviin johtoihin.** Osuminen jännitteeseen johtoon tekee työkalun paljaista metalliosista jännitteisiä, joten käyttäjä voi saada sähköiskun.

Vaarat

Turvamääräysten noudattamisesta ja turvalaitteiden käyttämisestä huolimatta tiettyjä vaaroja ei voida välttää. Näitä ovat seuraavat:

- Kuulon heikkeneminen.
- Lentävien kappaleiden aiheuttamat henkilövahingot.
- Käytön aikana kuumenevien varusteiden aiheuttamat palovammat.
- Pitkäaikaisen käyttämisen aiheuttamat henkilövahingot.

SÄILYTÄ NÄMÄ OHJEET

Latauslaitteet

Mac Tools-laturit eivät vaadi säätöä ja niiden käyttö on suunniteltu mahdollisimman helpoksi.

Sähköturvallisuus

Sähkömoottori toimii vain yhdellä jännitteellä. Tarkista aina, että akun jännite vastaa laitteen tyyppikilpeen merkittyä jännitettä. Tarkista myös, että latauslaitteen jännite vastaa sähköverkon jännitettä.



Tämä Mac Tools-latauslaite on kaksoiseristetty EN60335 -säädösten mukaisesti, joten maadoitusjohtoa ei tarvita.

Jos virtajohto vaurioituu, se on korvattava uudella johdolla, jonka voi hankkia Mac Toolsin huolto-organisaation kautta.

Jatkojohdon käyttäminen

Jatkojohtoa saa käyttää vain, jos se on ehdottoman välttämätöntä. Käytä latauslaitteen vaatimukset täyttävää hyväksytyä jatkojohtoa. Lisätietoja on **Teknisissä tiedoissa**. Johdinten pienin koko on 1 mm² ja suurin pituus 30 m. Jos käytät johtokelaa, kelaa johto aina kokonaan auki.

Tärkeitä turvallisuusohjeita latauslaitetta käytettäessä

SÄILYTÄ NÄMÄ OHJEET: Tämä ohjekirja sisältää tärkeitä turvallisuus- ja käyttöohjeita yhteensopiviin akkulatureihin (katso **Tekniset tiedot**).

- Lue kaikki laturin, akkuyksikön ja akkuyksikköä käyttävän tuotteen ohjeet ja varoitusmerkinnot ennen laturin käyttöä.



VAROITUS: Sähköiskun vaara. Älä päästä nestettä laturin sisään. Se voi aiheuttaa sähköiskun.



VAROITUS: Suosittelemme vikavirtasuojalaitteen käyttöä, jonka vikavirtasuojan laukaisuvirta on enintään 30mA.



HUOMIO: Palovamman vaara. Loukkaantumisen riskin vähentämiseksi lataa vain ladattavia Mac Tools-akkuja. Muun tyyppiset akut voivat haljeta ja aiheuttaa henkilövahingon ja vaurioita.



HUOMIO: Lapsia tulee valvoa ja varmistaa, että he eivät leiki laitteella.

HUOMAUTUS: Joissakin olosuhteissa vieras materiaali voi aiheuttaa oikosulkuja laturin sisällä oleviin suojaamattomiin latauskontaktihin laturin ollessa kytkettyinä sähköverkkoon. Vieraat johtavat aineet, kuten teräsvilla, alumiinifolio tai metallihiukkaskertymät, niihin kuitenkin rajoittumatta, on pidettävä poissa laturin aukoista. Irrota laturi aina tehonsyötöstä, kun laturissa ei ole akkuja. Irrota laturi tehonsyötöstä ennen kuin yrität puhdistaa sitä.

- **ÄLÄ YRITÄ** ladata akkuyksikköä millään muulla laturilla kuin tässä käyttöohjeessa mainituilla. Laturi ja akkuyksikkö on suunniteltu erityisesti toimimaan yhdessä.
- Näitä latoreita ei ole tarkoitettu käytettäväksi mihinkään muuhun tarkoitukseen kuin ladattavien Mac Tools-akkujen lataamiseen. Muu voi aiheuttaa tulipalon tai jopa kuolettavan sähköiskun riskin.
- Älä jätä laturia sateeseen tai lumeen.
- Vedä pistokkeesta äläkä johdosta, kun irrotat laturia verkkovirrasta. Tämä vähentää pistokkeen ja sähköjohdon vahingoittumisen riskiä.
- Varmista, että johto sijaitsee niin, että sen päälle ei astuta, siihen ei kompastu tai että siihen ei muuten kohdistu vaurioita tai rasitusta.
- Älä käytä jatkojohtoa ellei se ole ehdottoman välttämätöntä. Jatkojohdon virheellinen käyttö voi aiheuttaa tulipalon tai jopa kuolettavan sähköiskun riskin.
- Älä laita mitään esineitä laturin päälle tai laita laturia pehmeälle pinnalle, joka saattaa tukkia ilmanvaihtoaukot ja aiheuttaa liiallisen sisäisen lämmön. Sijoita laturi pois lämpölähteiden läheltä. Laturi tuulettuu kotelon päällä ja pohjassa olevien aukkojen kautta.
- Älä käytä laturia, jos johto tai pistoke on vahingoittunut – vaihda ne välittömästi.
- Älä käytä laturia, jos siihen on kohdistunut terävä isku, se on pudotettu tai muuten vahingoittunut millään tavalla. Vie se valtuutettuun huoltoon.
- Älä pura laturia. Vie se valtuutettuun huoltoon, jossa se huolletaan tai korjataan. Virheellinen kokoaminen voi aiheuttaa tulipalon tai jopa kuolettavan sähköiskun riskin.
- Jos virtajohto on vahingoittunut, valmistajan, huollon tai vastaavan pätevä henkilön täytyy vaihtaa se välittömästi.

- **Irrota laturi pistorasiasta ennen kuin yrität puhdistaa sitä. Tämä vähentää sähköiskun vaaraa.** Akkuyksikön poistaminen ei vähennä riskiä.
- **ÄLÄ KOSKAAN** yritä yhdistää kahta laturia yhteen.
- **Laturi on suunniteltu toimimaan tavallisella 230 V:n kotitalouden sähkövirralla. Älä yritä käyttää mitään muuta kuin määritettyä jännitettä.** Tämä ei koske autolaturia.

Akun lataaminen (Kuva [Fig.] B)

1. Yhdistä laturi sopivaan pistorasiaan ennen kuin laitat akun paikoilleen.
2. Aseta akku 6 laturiin ja varmista, että akku on hyvin paikoillaan laturissa. Punainen (latauksen) merkkivalo vilkkuu toistuvasti ilmoittaen, että latausprosessi on alkanut.
3. Kun lataus on valmis, punainen valo jää palamaan jatkuvasti. Akku on täysin ladattu ja sitä voidaan käyttää heti tai sen voi jättää laturiin. Poista akku laturista painamalla akun vapautuspainiketta 7.

HUOMAA: Jotta varmistat litiumioniakkujen parhaimman mahdollisen suorituskyvyn ja pitkän käyttöiän, akku tulee ladata täyteen ennen ensimmäistä käyttöä.

Laturin toiminta

Katso akun lataustaso alla olevista merkkivaloista.

Laturin merkkivalot	
 lataus käynnissä	
 ladattu täyteen	
 kuuma-/kylmäviive*	

*Punainen merkkivalo vilkkuu edelleen ja keltainen merkkivalo palaa kyseisen toiminnon aikana. Kun akku on saavuttanut oikean lämpötilan, keltainen merkkivalo sammuu ja laturi jatkaa latausta.

Yhteensopiva(t) laturi(t) ei(eivät) lataa viallista akkuja. Jos laturin merkkivalo ei syty, akku on viallinen.

HUOMAA: Tämä voi tarkoittaa myös laturivikaa.

Jos laturi ilmoittaa ongelmasta, vie laturi ja akku testattavaksi valtuutettuun huoltopalveluun.

Akun kuuma-/kylmäviive

Kun laturi tunnistaa liian kuuman tai kylmän akun, se käynnistää automaattisesti akun kuuma-/kylmäviiveen, jolloin lataus käynnistyy vasta sitten, kun akku on saavuttanut hyväksyttävän lämpötilan. Laturi siirtyy tämän jälkeen automaattisesti akun lataustilaan. Tämä toiminto takaa akun maksimaalisen käyttöiän. Kylmä akku latautuu hitaammin kuin lämmin akku. Akku latautuu hitaammin koko latausjakson ajan, sen latautumisnopeus ei palaudu nopeaksi, vaikka akku lämpenisi.

Elektroninen suojausjärjestelmä

Mac Tools Li-Ion -laitteissa on elektroninen suojausjärjestelmä, joka suojaaa akkua ylikuormitukselta, ylikuumentumiselta tai suurelta purkautumiselta.

Työkalu sammuu automaattisesti, jos sähköinen suojausjärjestelmä käynnistyy. Jos näin tapahtuu, laita litiumioniakku laturiin, kunnes se on kokonaan latautunut.

Asennus seinään

Nämä laturit on tarkoitettu asennettaviksi seinään tai käytettäväksi pystyasennossa pöydän tai työtason päällä. Jos laturi asennetaan seinään, sijoita laturi pistorasian lähetyville ja kauas kulmista tai muista esteistä, jotka voivat haitata ilmavirtausta. Käytä laturin takaosaa mallina kiinnitysruuvien kiinnittämisesä seinään. Asenna laturi hyvin kiinnitysruuveilla (hankittava erikseen), joiden pituus on vähintään 25,4 mm ruuvien kannan halkaisijan ollessa 7–9 mm. Kiinnitä ruuvit puuhun optimaaliseen syvyyteen jättäen ruuvista näkyville noin 5,5 mm. Kohdista laturin takana olevat reiät ruuveihin ja kiinnitä ne reikiin.

Laturin puhdistusohjeet



VAROITUS: Sähköiskuvaara. Irrota laturi AC-pistorasiasta ennen puhdistusta. Lika ja rasva voidaan poistaa laturin ulkopuolelta kankaalla tai pehmeällä, ei-metallisella harjalla. Älä käytä vettä tai puhdistusaineita. Älä päästä mitään nesteitä työkalun sisään. Älä upota mitään työkalun osaa nesteeseen.

Akkuyksikkö

Tärkeitä turvallisuusohjeita kaikkia akkuja käytettäessä

Kun tilaat uutta akkua, ilmoita tuotenumero ja jännite. Kun uusi akku otetaan pakkauksesta, sitä ei ole ladattu täyteen. Lue seuraavat turvaohjeet ennen akun ja latauslaitteen käyttämistä. Noudata annettuja ohjeita.

LUE KAIKKI OHJEET

- **Älä lataa tai käytä räjähdysalttiissa ympäristössä, esimerkiksi tilassa, jossa on syttyviä nesteitä, kaasuja tai pölyä.** Akun laittaminen laturiin tai poistaminen laturista voi sytyttää pölyn tai kaasun.
- **Älä koskaan pakota akkua laturiin. Älä muokkaa akkuyksikköä millään tavalla saadaksesi sen sopimaan yhteensopimattomaan laturiin, sillä akkuyksikkö saattaa murtua ja aiheuttaa vakavan henkilökohtaisen vaurion.**
- Lataa akkuyksiköt vain Mac Tools-latureilla.
- **ÄLÄ** roiskuta vettä tai upota veteen tai muihin nesteisiin.
- **Älä säilytä tai käytä työkalua ja akkuyksikköä paikassa, jossa lämpötila voi saavuttaa tai ylittää 40 °C (kuten kesällä ulkokatoksissa tai metallirakennuksissa).**
- **Älä hävitä akkua polttamalla, vaikka se olisi vaurioitunut pahasti tai tullut elinkaarensa päähän.** Akku voi räjähtää poltettaessa. Litium-ioniakkuja poltettaessa syntyy myrkyllisiä kaasuja ja aineita.
- **Jos akun sisältöä pääsee iholle, huuhtelee heti miedolla saippualla ja vedellä.** Jos akkunestettä pääsee silmään, huuhtelee avointa silmää vedellä 15 minuutin ajan kunnes ärsytys lakkaa. Jos on hakeuduttava lääkäriin hoitoon,

ilmoita, että akun elektrolyytti on nestemäisten orgaanisten karbonaattien ja litiumsulojen seosta.

- **Avatun akkukennon sisältö voi ärsyttää hengitysteitä.** Hakeudu raittiiseen ilmaan. Jos oireet jatkuvat, ota yhteys lääkäriin.



VAROITUS: Palovamman vaara. Akkuneste voi syttyä altistuessaan kipinälle tai liekille.



VAROITUS: Älä koskaan yritä avata akkuyksikköä mistään syystä. Jos akkuyksikön kotelo on murtunut tai vahingoittunut, älä laita sitä laturiin. Älä riko, pudota tai vahingoita akkuyksikköä. Älä käytä akkuyksikköä tai laturia, johon on osunut terävä isku, joka on pudotettu tai vahingoittunut millään tavalla (esim. lävistetty naulalla, isketty vasaralla, astuttu päälle). Se voi aiheuttaa jopa kuolettavan sähköiskun. Vahingoittuneet akkuyksiköt tulee palauttaa huoltoon kierrätystä varten.



VAROITUS: Tulipalovaara. Älä varastoi tai kanna akkuja niin, että metalliesineet pääsevät kosketuksiin akun napoihin. Laturia ei saa esimerkiksi asettaa liinon päälle, taskuihin, työkalukoteloihin, tuotepakkauksiin, laatikkoihin, jne., joissa on irtonaisia nauloja, ruuveja, avaimia, jne.



HUOMIO: Kun työkalua ei ole käytössä, laita se sivulleen vakaalle alustalle, jossa se ei aiheuta kompastumisen tai putoamisen vaaraa. Jotkut työkalut, joissa on suuret akkuyksiköt, seisovat pystyssä akkuyksikön varassa, mutta ne kaatuvat helpommin.

Kuljetus



VAROITUS: Tulipalovaara. Akkujen kuljetus voi johtaa tulipaloon, jos akkunavat pääsevät vahingossa kosketuksiin johtaviin materiaaleihin. Akkuja kuljettaessa tulee varmistaa, että akkujen navat on suojattu ja eristetty hyvin materiaaleista, jotka voivat päästä niihin kosketuksiin ja aiheuttaa oikosulun.

HUOMAA: Litiumioniakkuja ei saa kuljettaa ruumaan menevissä matkatavaroissa.

Mac Tools-akut täyttävät kaikkien soveltuvien teollisuudenalaa koskevien ja lakisääteisten kuljetusmääräyksien vaatimukset, niihin kuuluvat muun muassa YK:n vaarallisen tavarankuljetussuosituksen, kansainvälisen ilmakuljetusliiton (IATA) vaarallisen tavarankuljetusmääräykset, vaarallisten aineiden kansainvälisen merikuljetussäännösten (IMDG) määräykset sekä eurooppalainen sopimus vaarallisten tavaroiden kansainvälisistä tiekuljetuksista (ADR). Litiumionikennot ja -akut on testattu YK:n vaarallisen tavarankuljetussuosituksen osion 38,3 mukaisesti koskien testausohjeita ja testikriteerejä.

Useimmissa tapauksissa Mac Tools-akkujen kuljetukset eivät kuulu luokan 9 vaarallisten materiaalien määräyksien piiriin. Yleisesti ottaen luokan 9 määräykset soveltuvat vain toimituksiin, jotka sisältävät energialuokaltaan yli 100 wattitunnin (Wh) litiumioniakun. Wattitunnit on merkitty kaikkiin litiumioniakkuihin. Määräyksien monimutkaisuuden vuoksi Mac Tools ei suosittele yksistään litiumioniakkujen kuljetusta ilmateitse niiden wattitunneista riippumatta. Akkuja sisältävät työkalupakkaukset (yhdistelmäpakkaukset) voidaan kuljettaa

ilmateitse määräyksien soveltamisalan ulkopuolella, jos akkuun merkityt wattitunnit ovat korkeintaan 100 Wh.

Oli kyseessä odotettu tai täysin säännöstelty kuljetus, kuljettajien vastuulla on ottaa selvää viimeisimmistä pakkausta, merkkiä/merkintää sekä dokumentaatiota koskevista määräyksistä.

Tämän ohjekirjan osion tiedot on annettu hyvässä uskossa ja niiden uskotaan olevan tarkkoja asiakirjan luontihetkellä. Mitään takuita, välillisiä tai suoria, ei kuitenkaan anneta.

Ostajan vastuulla on taata, että toiminta on soveltuvien määräyksien mukaista.

Säilytys-suositukset

1. On suositeltavaa säilyttää akku viileässä ja kuivassa paikassa poissa suorasta auringonpaisteesta sekä liiallisesta kylmyydestä tai kuumuudesta. Akku toimii mahdollisimman tehokkaasti ja pitkään, kun sitä säilytetään huoneenlämpötilassa, kun se ei ole käytössä.
2. Pitkän säilytyksen aikana täyteen ladattu akku on suositeltavaa säilyttää viileässä ja kuivassa paikassa irti laturista.

HUOMAA: Akkuja ei saa asettaa säilöön täysin tyhjinä. Akku on ladattava ennen käyttöä.

Latauslaitteen ja akun tarrat

Näissä ohjeissa kuvattujen kuvakkeiden lisäksi laturissa ja akussa voi olla seuraavat merkit:



Lue käyttöohjeet ennen käyttämistä.



Latausajan tiedot ovat **Teknisissä tiedoissa**.



Älä työnnä sähköä johtavia esineitä laitteen sisään.



Älä lataa vaurioitunutta akkua.



Älä altista vedelle.



Vaihdata vialliset akut heti.



Lataa vain lämpötilassa 4–40 °C.



Käytettäväksi vain ulkona.



Toimita akku kierrätykseen ympäristöystävällisellä tavalla.



Lataa Mac Tools-akut ainoastaan yhteensopivilla Mac Tools-latureilla.



Jos muita kuin yhteensopivia Mac Tools-akkuja ladataan Mac Tools-laturilla, akut voivat räjähtää tai aiheuttaa muita vaaratilanteita.



Älä hävitä akkuysikköä polttamalla.

Akun Tyyppi

MCF601 toimii 12 voltin akulla.

Näitä akkuja voidaan käyttää: MBR124, MBR127. Katso lisätietoja kohdasta **Tekniset tiedot**.

Pakkauksen Sisältö

Pakkauksen sisältö:

- 1 Ruuvinväännin
- 1 Laturi
- 1 Litiumioniakku (C1, D1, L1, M1, P1, S1, T1, X1, Y1 mallit)
- 2 Litiumioniakut (C2, D2, L2, M2, P2, S2, T2, X2, Y2 mallit)
- 3 Litiumioniakut (C3, D3, L3, M3, P3, S3, T3, X3, Y3 mallit)
- 1 Käyttöohje

HUOMAA: Akut, laturit ja pakkaukset eivät kuulu N-malleihin. Akut ja laturit eivät kuulu NT-malleihin.

HUOMAA: Tavaramerkit ja -nimet ovat vastaavien omistajien omaisuutta.

- *Tarkista, onko työkalussa, osissa tai tarvikkeissa kuljetusvaurioita.*
- *Lue tämä käyttöohje huolellisesti ennen laitteen käyttämistä.*

Työkalun merkinnät

Seuraavat kuvakkeet näkyvät työkalussa:



Lue käyttöohjeet ennen käyttämistä.



Käytä kuulosuojaimia.



Käytä suojalaseja.



Näkyvä säteily. Älä katso suoraan valoon.

Päivämääräkoodin Sijainti (Kuva A)

Päivämääräkoodi **10** on merkitty koteloon. Se sisältää myös valmistusvuoden.

Esimerkki:

2019 XX XX

Valmistusvuosi

Kuvaus (Kuva A)



VAROITUS: Älä tee työkaluun tai sen osiin mitään muutoksia. Tällöin voi aiheutua omaisuus- tai henkilövahinkoja.

- 1 Säädettävä nopeuden liipaisukytkin
- 2 Suunnanvaihtopainike
- 3 Väännön säätörengas
- 4 Pikairrotusistukka
- 5 Pääkahva

- 6 Akkuyksikkö
- 7 Akun vapautuspainike
- 8 Työvalot
- 9 Pikairrotustukan holkki

Käyttötarkoitus

Ruuvinväännin on suunniteltu ammattimaisiin ruuvinvääntösovelluksiin.

ÄLÄ käytä kosteissa olosuhteissa tai jos laitteen lähellä on syttyviä nesteitä tai kaasuja.

Tämä ruuvinväännin on ammattimainen sähkötyökalu.

ÄLÄ anna lasten koskea tähän työkaluun. Kokemattomat henkilöt saavat käyttää tätä laitetta vain valvotusti.

- Tämä tuote ei ole tarkoitettu henkilöiden (mukaan lukien lapset) käytettäväksi, joiden fyysiset, sensoriset tai henkiset kyvyt tai kokemus ja/tai tietämys tai taidot ovat rajalliset. Heidän turvallisuudestaan tulee huolehtia heistä vastuussa oleva henkilö. Lapsia ei koskaan saa jättää yksin tämän tuotteen kanssa.

KOKOAMINEN JA SÄÄDÖT

VAROITUS: *Vakavan henkilövahingon vaaran vähentämiseksi katkaise työkalusta virta ja irrota akku ennen säätämistä tai varusteiden irrottamista tai asentamista. Jos laite käynnistyy vahingossa, voi aiheutua loukkaantuminen.*

VAROITUS: *Käytä ainoastaan Mac Tools-akkupakkauksia ja -latureita.*

Akun Asentaminen ja Poistaminen Työkalusta (Kuva B)

HUOMAA: Parhaiden tuloksien saavuttamiseksi on varmistettava, että akku 6 on ladattu täyteen.

Akun Asentaminen Työkalun Kahvaan

1. Kohdistaa akku 6 kahvan sisällä oleviin kiskoihin (Kuva B).
2. Liu'uta se kahvaan, kunnes akku on hyvin paikoillaan laitteessa ja varmista, ettei se irtoa.

Akun Poistaminen Työkalusta

1. Paina akun vapautuspainiketta 7 ja vedä akku ulos työkalun kahvasta.
2. Laita akku laturiin, kuten käyttöohjeen laturiosassa kuvataan.

Tasomittarilla Varustetut Akut (Kuva B)

Joissakin Mac Tools-akuissa on tasomittari, jossa on kolme vihreää LED-merkkivaloa. Merkkivalot osoittavat akun jäljelle jäävän virtatason.

Kytke tasomittari päälle painamalla ja pitämällä tasomittarin painiketta 11 alhaalla. Jokin kolme vihreää LED-merkkivalon valoyhdistelmä syttyy osoittaen jäljelle jäävän virtatason. Kun akkuvirran taso on käyttörajan alapuolella, tasomittari ei syty ja akku on ladattava.

HUOMAA: Tasomittari osoittaa akkuvirran tason ainoastaan viitteellisesti. Se ei osoita työkalun toiminnallisuutta ja se voi vaihdella tuoteosien, lämpötilan ja loppukäyttäjän käytön mukaan.

TOIMINTA

Käyttöohjeet

VAROITUS: *Noudata aina turvaohjeita ja määräyksiä.*

VAROITUS: *Vakavan henkilövahingon vaaran vähentämiseksi katkaise työkalusta virta ja irrota akku ennen säätämistä tai varusteiden irrottamista tai asentamista. Jos laite käynnistyy vahingossa, voi aiheutua loukkaantuminen.*

Käsien oikea asento (Kuva C)

VAROITUS: *Voit vähentää vakavan henkilövahingon vaaraa pitämällä kädet AINA oikeassa asennossa.*

VAROITUS: *Voit vähentää vakavan henkilövahingon vaaraa pitelemällä työkalua AINA tiukassa otteessa.*

Käsien oikea asento tarkoittaa toisen käden pitämistä pääkahvassa 5.

Säädettävä nopeuden liipaisukytkin (Kuva A)

Käynnistä työkalu painamalla liipaisukytkintä 1. Sammuuta työkalu vapauttamalla liipaisukytkin. Työkalussa on jarru. Istukka pysähtyy heti, kun liipaisukytkin vapautetaan kokonaan.

Säädettävän nopeuden liipaisukytkimen avulla voit käynnistää sovelluksen hitaasti. Mitä enemmän puristat kytkintä, sitä nopeammin työkalu toimii. Jotta työkalun käyttöikä olisi mahdollisimman pitkä, käytä säädettävää nopeutta vain keskiöintiin tai kiinnikkeille.

HUOMAA: Säädettävän nopeuden jatkuvaa käyttöä ei suositella. Se saattaa vahingoittaa kytkintä ja sitä tulee välttää.

Suunnanvaihtopainike (Kuva A)

Suunnanvaihtopainike 2 määrittää työkalun suunnan ja toimii myös lukituspainikkeena.

Kiinniruuvausta varten vapauta liipaisukytkin ja paina alas suunnanvaihtopainike työkalun oikealla puolella.

Kiinniruuvausta varten paina alas suunnanvaihtopainike työkalun oikealla puolella. Suunnanvaihtopainikkeen keskiasento lukitsee työkalun off-asentoon. Kun muutat suunnanvaihtopainikkeen asentoa, varmista, että liipaisin on vapautettu.

HUOMAA: Kun työkalua käytetään ensimmäisen kerran suunnanvaihdon jälkeen, saatat kuulla käynnistettäessä kilahduksen. Tämä on normaalia, eikä ole osoitus ongelmasta.

Työvalot (Kuva A)

Istukan holkin 8 ympärillä on kolme työvaloa 9. Työvalo aktivoituu, kun liipaisukytkintä puristetaan.

Kun liipaisin vapautetaan, työvalo palaa korkeintaan 20 sekunnin ajan. Jos liipaisukytkintä pidetään alhaalla, työvalot jäävät päälle.

HUOMAA: Työvalot on tarkoitettu välittömän työpinnan valaisuun eikä niitä ole tarkoitettu käytettäväksi taskulamppuna.

Väännön säätörenkas (Kuva A)

Väännön säätörenkas **3** on merkitty selkeästi numeroilla ja enimmäisasennolla. Renkasta tulee kierteä, kunnes haluttu asetus sijaitsee työkalun päällä. Renkaassa on paikantimet, jotka poistavat arvailun kiinnitysvääntöä valittaessa. Mitä suurempi numero renkaassa sitä suurempi vääntö ja sitä suurempi kiinnitin voidaan kiinnittää. Kun haluat lukita kytkimen poraustoimintoja varten, siirrä renkas enimmäisasentoon.

Pikavapautusistukka (Kuvat A, D)

HUOMAA: Pikaliittännän sisältävään istukkaan **4** voidaan asentaa 6,35 mm:n kuusiokolovarusteita. 25 mm terien käyttö mahdollistaa paremman pääsyn ahtaisiin paikkoihin.

Aseta suunnanvaihtopainike **2** lukitusasentoon (keskelle) tai irrota akkuyksikkö ennen varusteiden vaihtoa.

Kuvassa E näytetty terä on tyyppillinen pikavapautusistukassa **4** käytettävä urteinen **12** terä, joka vaaditaan terän pysymiseksi tiukasti.

Kun haluat asentaa lisävarusteen, paina lisävaruste kokonaan pikairrotusistukkaan **4**. Istukan holkkia **9** ei tarvitse vetää ylös lisävarusteen lukitsemiseksi paikalleen.

Kun haluat poistaa lisävarusteen, vedä pikairrotusistukan holkki **9** pois työkalun edestä. Poista lisävaruste ja vapauta holkki.

Ruuvinväännintila (Kuva A)

Valitse haluamasi kytkinasetus työkalun päällä olevalla väännön säätörenkaalla **3**.

Laita haluttu kiinnitinvaruste istukkaan samalla tavalla kuin tavallinen ruuvinvääntimen terä. Harjoittele muutaman kerran jätetaloukselle tai piilossa oleviin kohtiin, jotta voit määrittää kytkenrenkaan oikean asennon.

Poraustila



VAROITUS: Vakavan henkilövahingon vaaran vähentämiseksi aseta suunnanvaihtopainike lukitusasentoon tai katkaise työkalusta virta ja irrota akku ennen säätämistä tai varusteiden irrottamista tai asentamista.



VAROITUS: Jotta pienennät vakavan henkilöloukkaantumisen riskiä, varmista **AINA**, että työkalu on kiinnitetty tai puristettu paikalleen tiukasti. Jos poraat ohutta materiaalia, käytä puista tukikappaletta, joka estää materiaalin vahingoittumisen.

Käännä renkas maksimiasentoon porausta varten.

1. Käytä vain kuusiokaraporanteriä.
2. Paina aina suorassa linjassa terän kanssa. Käytä riittävästi voimaa, jotta terä pureutuu materiaaliin, mutta älä paina liikaa, jolloin moottori saattaa sakata tai terä taipua.
3. Pidä työkalua vakaasti molemmilla käsillä, jotta hallitset työkalun vääntymisen.



VAROITUS: Ruuvinväännin saattaa sakata, jos ylikuormitus aiheuttaa yllättävän vääntymisen. Varaudu aina sakkaukseen. Tartu työkaluun vakaasti molemmilla käsillä, jotta hallitset työkalun vääntymisen ja vältät loukkaantumisen.

4. JOS ruuvinväännin SAKKAA, se johtuu tavallisesti ylikuormituksesta tai väärästä käytöstä. VAPAUTA LIIPAININ VÄLITTÖMÄSTI, irrota terä työstä ja määritä sakkauksen syy. **ÄLÄ NAPSAPUTELE LIIPAININTA PÄÄLLE JA POIS PÄÄLTÄ JA YRITÄ KÄYNNISTÄÄ KIINNI LEIKKAUTUNUTTA TYÖKALUA – MUUTOIN TYÖKALU VOI VAURIOITUA.**

5. Jotta minimoit sakkauksen tai materiaalin läpi murtumisen, paina ruuvinväännintä vähemmän ja hivuta terä reiän viimeisen osan läpi.
6. Pidä moottori käynnissä, kun vedät terää reiän läpi. Tämä estää juuttumisen.
7. Säädettävän nopeuden ruuvinvääntimissä ei ole tarvetta merkitä porattavaa reikää naskalilla. Aloita reikä hitaalla nopeudella ja kiihdytä puristamalla liipaisinta kovempaa, kun reikä on tarpeeksi syvä, ilman että terä hyppää ulos.

KUNNOSSAPITO

Mac Tools-työkalusi on suunniteltu käytettäväksi pitkään ja edellyttämään vain vähän kunnossapittoa. Oikea käsittely ja säännöllinen puhdistus varmistavat laitteen ongelmattoman toiminnan.



VAROITUS: Vakavan henkilövahingon vaaran vähentämiseksi katkaise työkalusta virta ja irrota akku ennen säätämistä tai varusteiden irrottamista tai asentamista. Jos laite käynnistyy vahingossa, voi aiheutua loukkaantuminen.

Laturia tai akkua ei voida huoltaa.



Voiteleminen

Tätä sähkötyökalua ei tarvitse voidella.



Puhdistaminen



VAROITUS: Puhalla lika ja pöly kotelosta kuivalla ilmalla, kun sitä kertyy ilmanvaihtoaukkoihin tai niiden ympärille. Käytä tällöin hyväksytyjä silmäsuojuksia ja hengityssuojainta.



VAROITUS: Älä koskaan puhdistu muita kuin metallipintoja liuottimien tai muiden voimakkaiden kemikaalien avulla. Nämä kemikaalit voivat heikentää näissä osissa käytettyjä materiaaleja. Käytä vain vedellä ja miedolla pesuaineella kostutettua kangasta. Älä päästä mitään nestettä laitteen sisään. Älä upota mitään laitteen osaa nesteeseen.

Lisävarusteet



VAROITUS: Muita kuin Mac Tools-lisävarusteita ei ole testattu tämän työkalun kanssa, joten niiden käyttäminen voi olla vaarallista. Käytä tämän laitteen kanssa vain Mac Toolsin suosittelemia varusteita vahingoittumisvaaran vähentämiseksi.

Saat lisätietoja jälleenmyyjältäsi.

Ympäristön suojeleminen



Erilliskeräys. Tuotteita ja akkuja, joissa on tämä merkintä, ei saa hävittää tavallisen kotitalousjätteen mukana.

Tuotteet ja akut sisältävät materiaaleja, jotka voidaan kerätä tai kierrättää uudelleen käyttöä varten. Kierrätä sähkölaitteet ja akut paikallisten määräyksien mukaisesti.

Lisätietoa on saatavilla osoitteesta www.2helpU.com.

Uudelleenladattava akku

Tämä pitkään kestävä akku on ladattava uudelleen, jos se ei enää tuota riittävää tehoa töissä, joihin teho on aikaisemmin riittänyt hyvin. Kun laitteen toiminta-aika on lopussa, se tulee hävittää ympäristöystävällisellä tavalla:

- Anna akun tyhjentyä kokonaan ja irrota se sitten laitteesta.
- litiumioniakkujen ovat kierrätettäviä. Vie ne jälleenmyyjälle tai paikalliseen kierrätyspisteeseen. Kerätyt akkuyksiköt kierrätetään tai hävitetään oikein.

MAC TOOLS-EUROPE, STANLEY BLACK & DECKER INC.,
UNIT 3, EUROPA COURT
SHEFFIELD BUSINESS PARK, SHEFFIELD, S1 1XE
COPYRIGHT © 2018 MAC TOOLS
TEL: 08450 6000 60
WWW.MACTOOLS.COM
CUSTOMERSERVICES@MACTOOLS.CO.UK