

**DEWALT®**

**[www.DEWALT.com](http://www.DEWALT.com)**

**D25901**

---

<b>English (original instructions)</b>	<b>4</b>
<b>Français (traduction de la notice d'instructions originale)</b>	<b>10</b>
<b>ةيلصألا تاميلعتلا نع مجرتسم ةيبرعلا</b>	<b>17</b>

---

Figure 1  
شکل 1

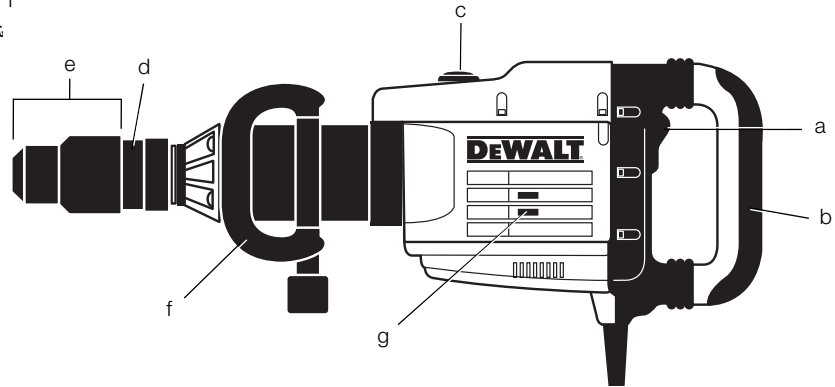


Figure 2  
شکل 2

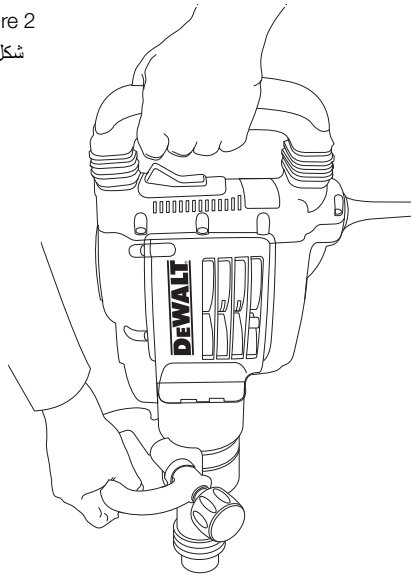


Figure 3  
شکل 3

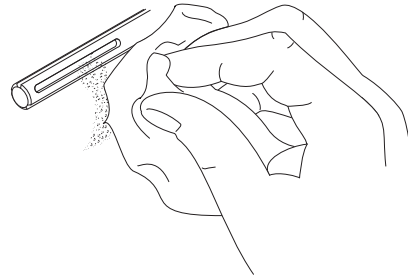


Figure 4  
شکل 4

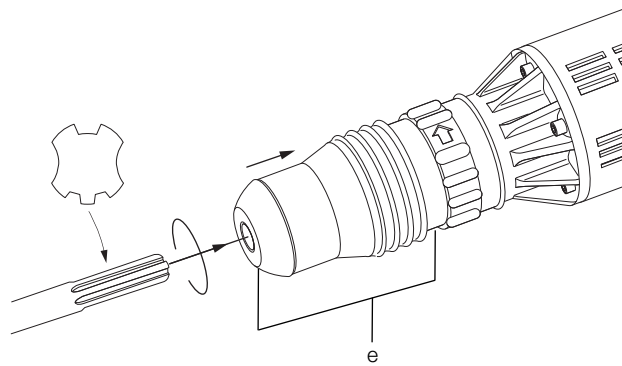


Figure 5  
شکل 5

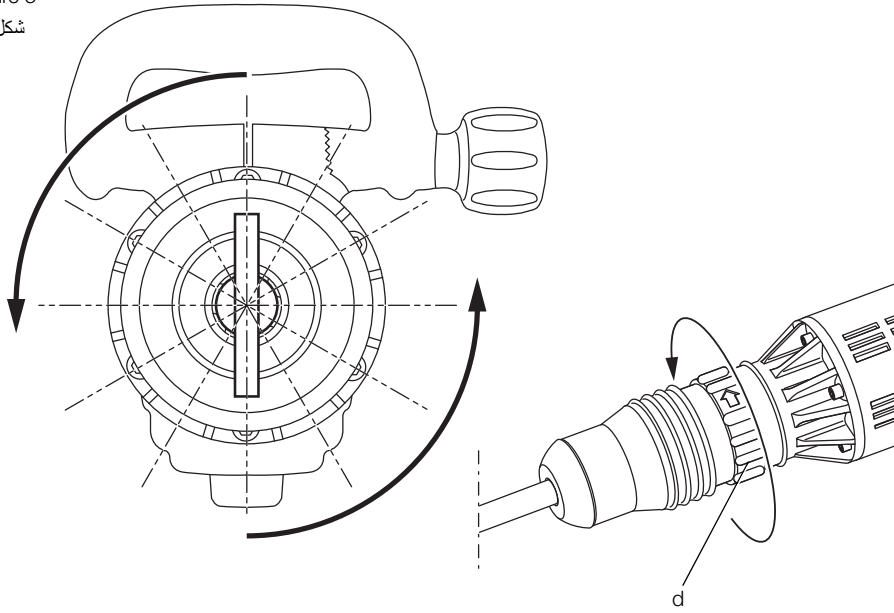


Figure 6  
شکل 6

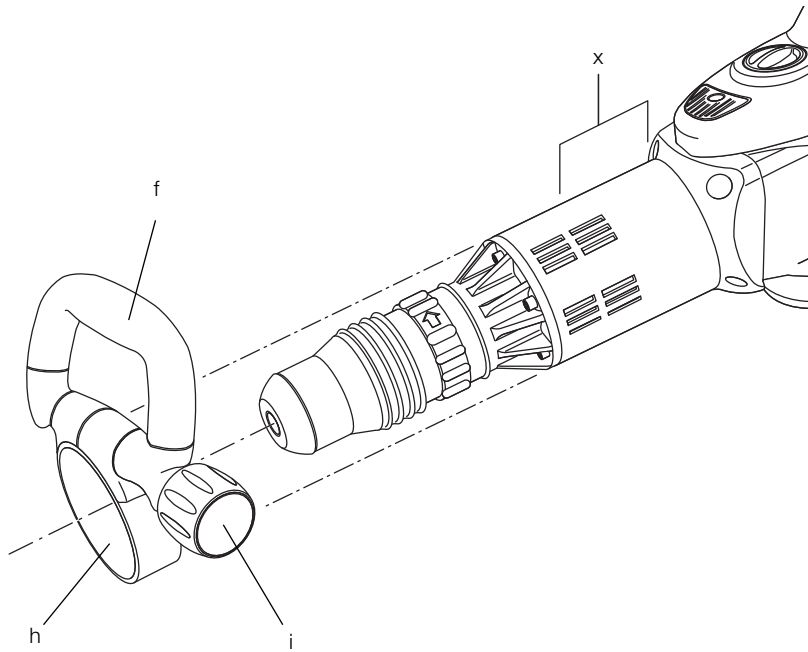
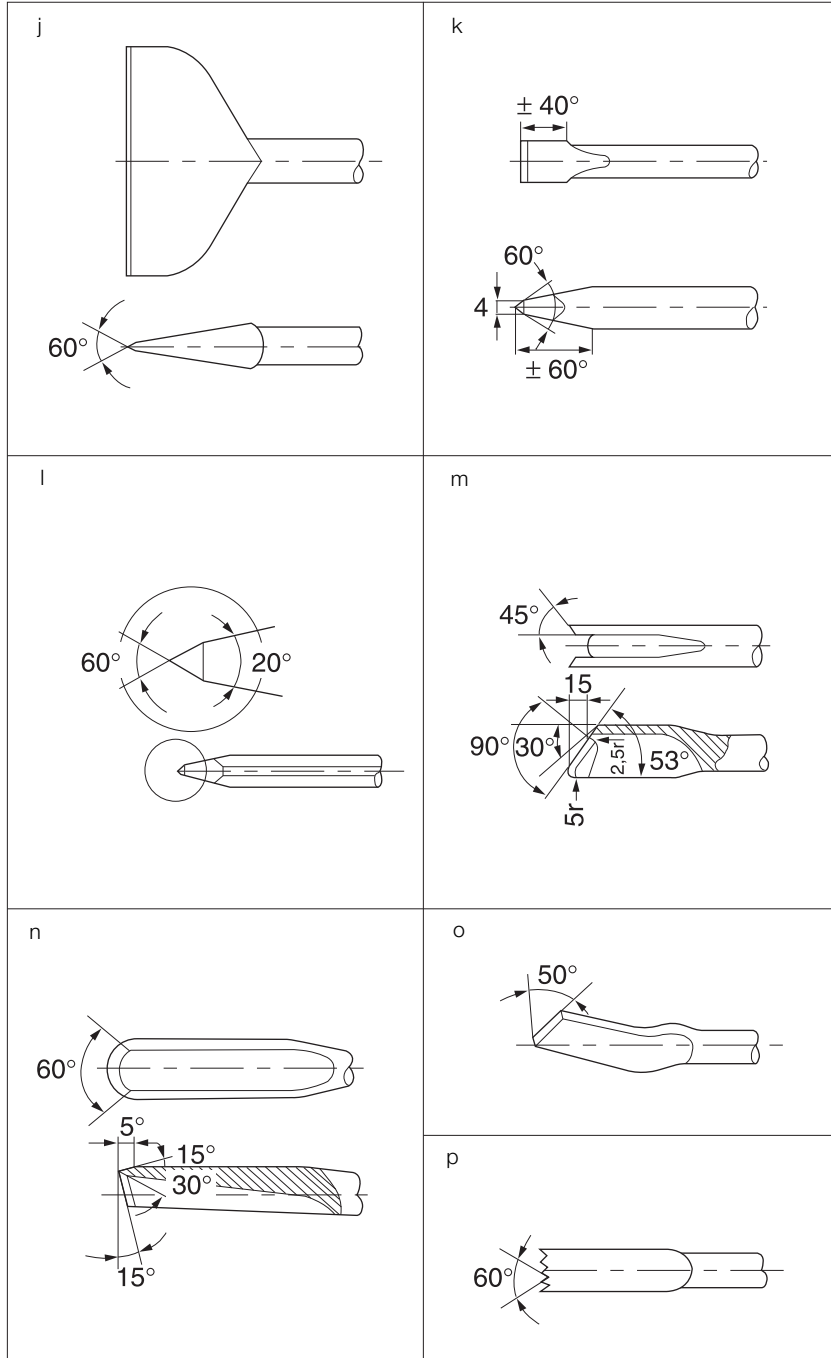


Figure 7 / لکش 7



# DEMOLITION HAMMER

## D25901

### Congratulations!

You have chosen a DEWALT tool. Years of experience, thorough product development and innovation make DEWALT one of the most reliable partners for professional power tool users.

### Technical Data

		D25901
Voltage	V	220–240 120
Type		2
Frequency	Hz	50/60
Power input	W	1,550
Impact rate	min <sup>-1</sup>	1,050–2,100
Impact energy (EPTA 05/2009)	J	19
Tool holder		SDS Max®
Chisel positions		12
Weight	kg	10.5

### Definitions: Safety Guidelines

The definitions below describe the level of severity for each signal word. Please read the manual and pay attention to these symbols.



**DANGER:** Indicates an imminently hazardous situation which, if not avoided, **will** result in **death or serious injury**.



**WARNING:** Indicates a potentially hazardous situation which, if not avoided, **could** result in **death or serious injury**.



**CAUTION:** Indicates a potentially hazardous situation which, if not avoided, **may** result in **minor or moderate injury**.

**NOTICE:** Indicates a practice **not related to personal injury** which, if not avoided, **may** result in **property damage**.



Denotes risk of electric shock.



Denotes risk of fire.



**WARNING:** To reduce the risk of injury, read the instruction manual.

### General Power Tool Safety Warnings



**WARNING! Read all safety warnings and all instructions.** Failure to follow the warnings and instructions may result in electric shock, fire and/or serious injury.

#### SAVE ALL WARNINGS AND INSTRUCTIONS FOR FUTURE REFERENCE

The term “power tool” in the warnings refers to your mains-operated (corded) power tool or battery-operated (cordless) power tool.

#### 1) WORK AREA SAFETY

- Keep work area clean and well lit.** Cluttered or dark areas invite accidents.
- Do not operate power tools in explosive atmospheres, such as in the presence of flammable liquids, gases or dust.** Power tools create sparks which may ignite the dust or fumes.
- Keep children and bystanders away while operating a power tool.** Distractions can cause you to lose control.

#### 2) ELECTRICAL SAFETY

- Power tool plugs must match the outlet. Never modify the plug in any way. Do not use any adapter plugs with earthed (grounded) power tools.** Unmodified plugs and matching outlets will reduce risk of electric shock.
- Avoid body contact with earthed or grounded surfaces such as pipes, radiators, ranges and refrigerators.** There is an increased risk of electric shock if your body is earthed or grounded.
- Do not expose power tools to rain or wet conditions.** Water entering a power tool will increase the risk of electric shock.
- Do not abuse the cord. Never use the cord for carrying, pulling or unplugging the power tool. Keep cord away from heat, oil, sharp edges or moving parts.** Damaged or entangled cords increase the risk of electric shock.
- When operating a power tool outdoors, use an extension cord suitable for outdoor use.** Use of a cord suitable for outdoor use reduces the risk of electric shock.
- If operating a power tool in a damp location is unavoidable, use a residual current device (RCD) protected supply.**

Use of an RCD reduces the risk of electric shock.

### 3) PERSONAL SAFETY

- a) **Stay alert, watch what you are doing and use common sense when operating a power tool. Do not use a power tool while you are tired or under the influence of drugs, alcohol or medication.** A moment of inattention while operating power tools may result in serious personal injury.
- b) **Use personal protective equipment. Always wear eye protection.** Protective equipment such as dust mask, non-skid safety shoes, hard hat, or hearing protection used for appropriate conditions will reduce personal injuries.
- c) **Prevent unintentional starting. Ensure the switch is in the off position before connecting to power source and/or battery pack, picking up or carrying the tool.** Carrying power tools with your finger on the switch or energising power tools that have the switch on invites accidents.
- d) **Remove any adjusting key or wrench before turning the power tool on.** A wrench or a key left attached to a rotating part of the power tool may result in personal injury.
- e) **Do not overreach. Keep proper footing and balance at all times.** This enables better control of the power tool in unexpected situations.
- f) **Dress properly. Do not wear loose clothing or jewellery. Keep your hair, clothing and gloves away from moving parts.** Loose clothes, jewellery or long hair can be caught in moving parts.
- g) **If devices are provided for the connection of dust extraction and collection facilities, ensure these are connected and properly used.** Use of dust collection can reduce dust-related hazards.

### 4) POWER TOOL USE AND CARE

- a) **Do not force the power tool. Use the correct power tool for your application.** The correct power tool will do the job better and safer at the rate for which it was designed.
- b) **Do not use the power tool if the switch does not turn it on and off.** Any power tool that cannot be controlled with the switch is dangerous and must be repaired.
- c) **Disconnect the plug from the power source and/or the battery pack from the power tool before making any adjustments, changing accessories, or**

**storing power tools.** Such preventive safety measures reduce the risk of starting the power tool accidentally.

- d) **Store idle power tools out of the reach of children and do not allow persons unfamiliar with the power tool or these instructions to operate the power tool.** Power tools are dangerous in the hands of untrained users.
- e) **Maintain power tools. Check for misalignment or binding of moving parts, breakage of parts and any other condition that may affect the power tool's operation. If damaged, have the power tool repaired before use.** Many accidents are caused by poorly maintained power tools.
- f) **Keep cutting tools sharp and clean.** Properly maintained cutting tools with sharp cutting edges are less likely to bind and are easier to control.
- g) **Use the power tool, accessories and tool bits etc., in accordance with these instructions taking into account the working conditions and the work to be performed.** Use of the power tool for operations different from those intended could result in a hazardous situation.

### 5) SERVICE

- a) **Have your power tool serviced by a qualified repair person using only identical replacement parts.** This will ensure that the safety of the power tool is maintained.

## Additional Safety Instructions for Demolition Hammers

- **Wear ear protectors.** Exposure to noise can cause hearing loss.
- **Use auxiliary handles supplied with the tool.** Loss of control can cause personal injury.
- **Hold power tools by insulated gripping surfaces when performing an operation where the cutting tool may contact hidden wiring or its own cord.** Cutting accessory Contacting a "live" wire may make exposed metal parts of the tool "live" and shock the operator.
- **Be certain that the material being drilled does not conceal electric or gas service and that their locations have been verified with the utility companies.**
- **Keep a firm grip on the tool at all times. Do not attempt to operate this tool without holding it with both hands. Operating this tool with one hand will result in loss of control. Breaking**

## ENGLISH

through or encountering hard materials such as re-bar may be hazardous as well. Tighten the side handle securely before use.

- Ensure the chisel is secured in place before operating the tool.
- In cold-weather conditions or when the tool has not been used for a longer period of time, let the tool run with no load for several minutes before use.
- When working above ground level ensure the area below is clear.
- Do not touch the chisel or the parts close to the chisel immediately after operation, as they may be extremely hot and cause burns to the skin.
- Always direct the power cable to the rear, away from the chisel.
- **Do not operate this tool for long periods of time.** Vibration caused by hammer action may be harmful to your hands and arms. Use gloves to provide extra cushion and limit exposure by taking frequent rest periods.

### Residual Risks

The following risks are inherent to the use of demolition hammers:

- Injuries caused by touching the hot parts of the tool.

In spite of the application of the relevant safety regulations and the implementation of safety devices, certain residual risks cannot be avoided. These are:

- Impairment of hearing.
- Risk of squeezing fingers when changing the accessory.
- Health hazards caused by breathing dust developed when working in concrete and/or masonry.

### Markings on Tool

The following pictograms are shown on the tool:



Read instruction manual before use.



Wear ear protection.



Wear eye protection.

### DATE CODE POSITION (FIG. 1)

The date code (g), which also includes the year of manufacture, is printed into the housing.

Example:

2013 XX XX

Year of Manufacture

### Package Contents

The package contains:

- 1 Demolition hammer
  - 1 Side handle
  - 1 Pointed chisel
  - 1 Plastic case
  - 1 Instruction manual
  - 1 Exploded drawing
- Check for damage to the tool, parts or accessories which may have occurred during transport.
  - Take the time to thoroughly read and understand this manual prior to operation.

### Description (fig. 1)



**WARNING:** Never modify the power tool or any part of it. Damage or personal injury could result.

- a. On/off switch
- b. Main handle
- c. Electronic impact energy control dial
- d. Chisel position index collar
- e. Tool holder/sleeve
- f. Side handle

### INTENDED USE

The D25901 heavy-duty demolition hammer is designed for heavy-duty demolition, chipping and chasing applications.

**DO NOT** use under wet conditions or in presence of flammable liquids or gases.

These heavy-duty demolition hammers are professional power tools. **DO NOT** let children come into contact with the tool. Supervision is required when inexperienced operators use this tool.

- This product is not intended for use by persons (including children) suffering from diminished physical, sensory or mental abilities; lack of experience, knowledge or skills unless they are supervised by a person responsible for their safety. Children should never be left alone with this product.



## Soft Start Feature

The soft start feature allows the impact rate to build up more slowly, thus preventing the chisel or point from “bouncing” around on the masonry when starting up.

## Active Vibration Control

The active vibration control neutralises rebound vibration from the hammer mechanism. Lowering hand and arm vibration, it allows more comfortable use for longer periods of time and extends the life of the unit.

## Electronic Impact Energy Control (fig. 1)

The electronic impact energy control (c) offers the following advantages:

- use of smaller accessories without risk of breakage
- minimised break-out when chiselling soft or brittle materials
- optimal tool control for precise chiselling

## Electrical Safety

The electric motor has been designed for one voltage only. Always check that the power supply corresponds to the voltage on the rating plate.



Your DEWALT tool is double insulated in accordance with EN 60745; therefore no earth wire is required.



**WARNING:** 120 V units have to be operated via a fail-safe isolating transformer with an earth screen between the primary and secondary winding.

If the supply cord is damaged, it must be replaced by a specially prepared cord available through the DEWALT service organisation.

## Mains Plug Replacement (Middle East and Africa)

If a new mains plug needs to be fitted:

- Safely dispose of the old plug.
- Connect the brown lead to the live terminal in the plug.
- Connect the blue lead to the neutral terminal.



**WARNING:** No connection is to be made to the earth terminal.

Follow the fitting instructions supplied with good quality plugs. Recommended fuse: 13 A.

## Using an Extension Cable

If an extension cable is required, use an approved extension cable suitable for the power input of this tool (see **Technical Data**). The minimum conductor size is 1 mm<sup>2</sup>; the maximum length is 30 m.

When using a cable reel, always unwind the cable completely.

## ASSEMBLY AND ADJUSTMENTS



**WARNING:** To reduce the risk of injury, turn unit off and disconnect machine from power source before installing and removing accessories, before adjusting or changing set-ups or when making repairs. Be sure the trigger switch is in the OFF position. An accidental start-up can cause injury.



**WARNING:** Always wear gloves when changing accessories. The exposed metal parts on the tool and accessory may become extremely hot during operation.

## Inserting and Removing SDS Max® Accessories (fig. 3, 4)

This machine uses SDS Max® chisels (refer to the inset in Figure 4 for a cross-section of a chisel shank).

Only DEWALT recommended accessories should be used with this product.

1. Clean the chisel shank.



**WARNING:** Do not apply lubricant to the machine.

2. Insert the chisel shank into the tool holder/sleeve (e). Press and turn the chisel slightly until the sleeve snaps into position.
3. Pull on the chisel to check if it is properly locked. The hammering function requires the chisel to be able to move axially several centimetres when locked in the tool holder.
4. To remove a chisel, pull back the tool holder/sleeve (e) and pull the chisel out of the tool holder.

## Indexing the Chisel Position (fig. 5)

The chisel can be indexed and locked into 12 different positions.

## ENGLISH

1. Insert the chisel as described above.
2. Rotate the chisel position collar (d) in the direction of the arrow until the chisel is in the desired position.

### Setting the Electronic Impact Power Control Dial (fig. 1)

Turn the dial (c) to the desired level. The higher the number, the greater the impact energy. With dial settings from «1» (low) to «7» (full power) the tool is extremely versatile and adaptable for many different applications.

The required setting is a matter of experience, for example:

- when chiselling soft, brittle materials or when minimum break-out is required, set the dial to «1» or «2» (low);
- when breaking harder materials, set the dial to «7» (full power).

### Fitting and Adjusting the Side Handle (fig. 6)

The side handle (f) can be mounted on the front of the machine to suit both RH- and LH-users.



**WARNING:** Always operate the machine with the side handle properly mounted.

1. Unscrew the side handle clamp knob (i).
2. Slide the side handle assembly onto the machine locating the steel ring (h) in the mounting area (x). The correct position of the side handle is between head and middle of the tube.
3. Adjust the side handle (f) to the desired angle.
4. Slide and rotate the side handle to the desired position.
5. Lock the side handle in place by tightening the clamp knob (i).

## OPERATION

### Instructions for Use



**WARNING:**

- Always observe the safety instructions and applicable regulations.
- Be aware of the location of pipework and wiring.

- Apply a pressure of approx. 20–30 kg to the tool. Excessive force does not speed up chiselling but decreases tool performance and may shorten tool life.

### Proper Hand Position (fig. 1, 2)



**WARNING:** To reduce the risk of serious personal injury, **ALWAYS** use proper hand position as shown.



**WARNING:** To reduce the risk of serious personal injury, **ALWAYS** hold securely in anticipation of a sudden reaction.

Proper hand position requires one hand on the side handle (f), with the other hand on the main handle (b).

### Switching On and Off (fig. 1)

Switching on: set the on/off switch (a) to position 1.

Switching off: set the on/off switch (a) to position 0.

### Demolition, Chasing and Channelling (fig. 1)

1. Select the appropriate chisel and clean.
2. Insert the chisel and check whether it is properly locked.
3. Set the desired impact energy level.
4. Fit and adjust the side handle (f) and make sure it is firmly tightened.
5. Hold the tool at both handles (b, f) and switch on. The tool now runs in continuous operation.
6. Always switch off the tool when work is finished and before unplugging.

Various types of chisels are available as an option.

Only DEWALT recommended accessories should be used with this product.

## MAINTENANCE

Your DEWALT power tool has been designed to operate over a long period of time with a minimum of maintenance. Continuous satisfactory operation depends upon proper tool care and regular cleaning.

This machine is not user-serviceable. Take the tool to an authorised DEWALT repair agent after approximately 100 hours of use. If problems occur before this time contact an authorised DEWALT repair agent.

## Accessory Maintenance (fig. 7)

Accessory maintenance at the right time guarantees optimal results in application and a long and efficient accessory life.

Grind the chisels on grinding discs. Refer to Figure 9 for the appropriate angles of the following chisels:

- j. spade-shaped chisel
- k. cold chisel
- l. pointed chisel
- m. U-shaped chisel
- n. hollow chisel
- o. mortar chisel
- p. toothed chisel



**WARNING:** These chisels can be reground only a limited number of times. If in doubt, contact your dealer for recommendations.



**WARNING:** Ensure that the cutting edge does not show discolouration caused by too much pressure. This may impair the hardness of the accessory.



## Lubrication

Your power tool requires no additional lubrication.



## Cleaning



**WARNING:** Blow dirt and dust out of the main housing with dry air as often as dirt is seen collecting in and around the air vents. Wear approved eye protection and approved dust mask when performing this procedure.



**WARNING:** Never use solvents or other harsh chemicals for cleaning the non-metallic parts of the tool. These chemicals may weaken the materials used in these parts. Use a cloth dampened only with water and mild soap. Never let any liquid get inside the tool; never immerse any part of the tool into a liquid.

## Optional Accessories



**WARNING:** Since accessories, other than those offered by DEWALT, have not been tested with this product, use of such accessories with this tool could be hazardous. To reduce the risk of injury, only DEWALT recommended accessories should be used with this product.

Consult your dealer for further information on the appropriate accessories.

## Protecting the Environment



Separate collection. This product must not be disposed of with normal household waste.



Should you find one day that your DEWALT product needs replacement, or if it is of no further use to you, do not dispose of it with household waste. Make this product available for separate collection.



Separate collection of used products and packaging allows materials to be recycled and used again. Re-use of recycled materials helps prevent environmental pollution and reduces the demand for raw materials.

Local regulations may provide for separate collection of electrical products from the household, at municipal waste sites or by the retailer when you purchase a new product.

DEWALT provides a facility for the collection and recycling of DEWALT products once they have reached the end of their working life. To take advantage of this service please return your product to any authorised repair agent who will collect them on our behalf.

You can check the location of your nearest authorised repair agent by contacting your local DEWALT office at the address indicated in this manual. Alternatively, a list of authorised DEWALT repair agents and full details of our after-sales service and contacts are available on the Internet at: [www.2helpU.com](http://www.2helpU.com).

# PERFORATEUR-BURINEUR D25901

## Félicitations !

Vous avez choisi un outil DEWALT. Des années d'expertise dans le développement et l'innovation de ses produits ont fait de DEWALT, le partenaire privilégié des utilisateurs professionnels d'outils électriques.

## Caractéristiques techniques

		D25901
Tension	V	220-240 120
Type		2
Fréquence	Hz	50/60
Puissance absorbée	W	1 550
Cadence de frappe	min <sup>-1</sup>	1 050-2 100
Énergie de frappe (EPTA 05/2009)	J	19
Soporte de la herramienta		SDS Max®
Positions du burin		12
Poids	kg	10,5

## Définitions : consignes de sécurité

Les définitions ci-après décrivent le degré de risques associé à chaque balise. Lire soigneusement la notice d'instructions et respecter ces symboles.



**DANGER** : indique une situation de danger imminent qui, si rien n'est fait pour l'éviter, **aura** comme conséquences la **mort ou des dommages corporels graves**.



**AVERTISSEMENT** : indique une situation de danger potentiel qui, si rien n'est fait pour l'éviter, **pourra** avoir comme conséquences la **mort ou des dommages corporels graves**.



**ATTENTION** : indique une situation de danger potentiel qui, si rien n'est fait pour l'éviter, **pourrait** avoir comme conséquences des **dommages corporels mineurs ou moindres**.

**AVIS** : indique une pratique ne **posant aucun risque de dommages corporels**, mais qui par contre, si rien n'est fait pour l'éviter, **pourrait** poser des **risques de dommages matériels**.



Indique des risques de décharges électriques.



Indique des risques d'incendie.



**AVERTISSEMENT** : pour réduire tout risque de dommages corporels, lire la notice d'instructions

## Consignes de sécurité générales propres aux outils électriques



**AVERTISSEMENT ! lire toutes les directives et consignes de sécurité.**  
Tout manquement aux directives et consignes ci-incluses comporte des risques de décharges électriques, d'incendie et/ou de dommages corporels graves.

### CONSERVER TOUTES CES DIRECTIVES ET CONSIGNES À TITRE DE RÉFÉRENCE

Le terme « outil électrique » mentionné dans les avertissements ci-après se rapporte aux outils alimentés sur secteur (avec fil) ou par piles (sans fil).

#### 1) SÉCURITÉ – AIRE DE TRAVAIL

- Maintenir l'aire de travail propre et bien éclairée.** Les lieux sombres ou encombrés sont propices aux accidents.
- Ne pas utiliser un outil électrique dans un milieu déflagrant, comme en présence de liquides, gaz ou poussières inflammables.** Les outils électriques peuvent produire des étincelles qui pourraient enflammer toute émanation ou poussière ambiante.
- Maintenir à l'écart les enfants, ou toute autre personne, lors de l'utilisation d'un outil électrique.** Toute distraction pourrait faire perdre la maîtrise de l'appareil.

#### 2) SÉCURITÉ – ÉLECTRICITÉ

- La fiche électrique de l'outil doit correspondre à la prise murale. Ne modifier la fiche en aucune façon. Ne pas utiliser de fiche d'adaptation avec un outil électrique mis à la terre (masse).** L'utilisation de fiches d'origine et de prises appropriées réduira tout risque de décharges électriques.
- Éviter tout contact corporel avec des éléments mis à la terre comme : tuyaux, radiateurs, cuisinières ou réfrigérateurs.** Les risques de décharges électriques augmentent lorsque le corps est mis à la terre.

- c) **Ne pas exposer les outils électriques à la pluie ou à l'humidité.** Tout contact d'un outil électrique avec un liquide augmente les risques de décharges électriques.
- d) **Ne pas utiliser le cordon de façon abusive. Ne jamais utiliser le cordon pour transporter, tirer ou débrancher un outil électrique. Protéger le cordon de toute source de chaleur, de l'huile, et de tout bord tranchant ou pièce mobile.** Les cordons endommagés ou emmêlés augmentent les risques de décharges électriques.
- e) **En cas d'utilisation d'un outil électrique à l'extérieur, utiliser systématiquement une rallonge conçue à cet effet.** Cela diminuera tout risque de décharges électriques.
- f) **Si on ne peut éviter d'utiliser un outil électrique en milieu humide, utiliser un circuit protégé par un dispositif de courant résiduel (RCD).** Cela réduira tout risque de décharges électriques.
- f) **Porter des vêtements appropriés. Ne porter aucun vêtement ample ou bijou. Maintenir cheveux, vêtements et gants à l'écart des pièces mobiles, car ils pourraient s'y faire prendre.**
- g) **Lorsqu'un dispositif de connexion à un système de dépoussiérage ou d'élimination est fourni, s'assurer qu'il est branché et utilisé correctement.** L'utilisation de ces dispositifs peut réduire les risques engendrés par les poussières.

#### 4) UTILISATION ET ENTRETIEN DES OUTILS ÉLECTRIQUES

- a) **Ne pas forcer un outil électrique. Utiliser l'outil approprié au travail en cours.** L'outil approprié effectuera un meilleur travail, de façon plus sûre et à la vitesse pour laquelle il a été conçu.
  - b) **Ne pas utiliser un outil électrique dont l'interrupteur est défectueux.** Tout appareil dont l'interrupteur est défectueux est dangereux et doit être réparé.
  - c) **Débrancher la fiche du secteur et/ou la batterie de l'outil électrique avant d'effectuer tout réglage, de changer tout accessoire, ou avant de le ranger.** Ces mesures préventives réduiront tout risque de démarrage accidentel de l'appareil.
  - d) **Après utilisation, ranger les outils électriques hors de portée des enfants et ne permettre à aucune personne non familière avec son fonctionnement (ou sa notice d'instructions) de l'utiliser.** Les outils peuvent être dangereux entre des mains inexpérimentées.
  - e) **Entretien des outils électriques. Vérifier les pièces mobiles pour s'assurer qu'elles sont bien alignées et tournent librement, qu'elles sont en bon état et ne sont affectées d'aucune condition susceptible de nuire au bon fonctionnement de l'outil. En cas de dommage, faire réparer l'outil électrique avant toute nouvelle utilisation.** De nombreux accidents sont causés par des outils mal entretenus.
  - f) **Maintenir tout organe de coupe propre et bien affûté.** Les outils de coupe bien entretenus et affûtés sont moins susceptibles de se coincer et sont plus faciles à contrôler.
  - g) **Utiliser un outil électrique, ses accessoires, mèches, etc., conformément aux présentes directives et suivant la manière prévue pour ce type particulier d'outil électrique, en tenant compte des conditions de travail et de la tâche à effectuer.** L'utilisation d'un outil électrique à des fins autres que celles prévues est potentiellement dangereuse.
- 3) SÉCURITÉ INDIVIDUELLE**
- a) **Rester systématiquement vigilant et faire preuve de jugement lorsqu'on utilise un outil électrique. Ne pas utiliser d'outil électrique en cas de fatigue ou sous l'influence de drogues, d'alcool ou de médicaments.** Tout moment d'inattention pendant l'utilisation d'un outil électrique comporte des risques de dommages corporels graves.
  - b) **Porter un équipement de protection individuel. Porter systématiquement un dispositif de protection oculaire.** Le fait de porter un masque anti-poussières, des chaussures antidérapantes, un casque de sécurité ou un dispositif de protection auditive, lorsque la situation le requiert, réduira les risques de dommages corporels.
  - c) **Prévenir tout démarrage accidentel. S'assurer que l'interrupteur est en position d'arrêt avant de brancher l'outil sur le secteur et/ou à la batterie, ou de le ramasser ou le transporter.** Transporter un outil le doigt sur l'interrupteur ou brancher un outil électrique alors que l'interrupteur est en position de marche invite les accidents.
  - d) **Retirer toute clé de réglage avant de démarrer l'outil.** Une clé laissée sur une pièce rotative d'un outil électrique comporte des risques de dommages corporels.
  - e) **Adopter une position stable. Maintenir les pieds bien ancrés au sol et conserver son équilibre en permanence.** Cela permettra de mieux maîtriser l'outil électrique en cas de situations imprévues.

**5) RÉPARATION**

- a) **Faire entretenir les outils électriques par un réparateur qualifié en n'utilisant que des pièces de rechange identiques.** Cela permettra de préserver l'intégrité de l'outil électrique et la sécurité de l'utilisateur.

### Consignes de sécurité supplémentaires pour les perforateurs-burineurs

- **Portez des protecteurs auditifs.** L'exposition au bruit peut entraîner une perte auditive.
- **Utilisez les poignées auxiliaires fournies avec l'outil.** Une perte de contrôle peut entraîner des blessures corporelles.
- **Tenez l'outil électrique par sa surface de prise isolée dans une situation où l'outil de coupe peut entrer en contact avec un câblage caché ou avec son propre cordon d'alimentation.** Accessoire de coupe Tout contact avec un fil « sous tension » risque de mettre « sous tension » les pièces métalliques exposées et d'électrocuter l'opérateur de l'outil.
- Assurez-vous que le matériau à percer ne dissimule pas de conduites d'alimentation en électricité ou en gaz et que les emplacements de ces conduites ont été vérifiés par les services publics.
- Tenez l'outil fermement en permanence. Utilisez toujours l'outil en le tenant des deux mains. L'utilisation de cet outil d'une seule main résultera en une perte de contrôle de l'outil. Le perçage ou la découpe de matériaux rigides tels que les barres d'armature peut également présenter un danger. Serrez à fond la poignée latérale avant d'utiliser l'outil.
- Assurez-vous que le burin est solidement fixé en place avant d'utiliser l'outil.
- Par temps froid, ou lorsque l'outil n'a pas été utilisé pendant une période prolongée, faites-le tourner à vide pendant plusieurs minutes avant de l'utiliser.
- Lorsque vous travaillez en hauteur, assurez-vous que la zone au-dessous est dégagée.
- Ne touchez pas le burin ou les parties avoisinantes immédiatement après avoir utilisé l'outil, car ils peuvent être très chauds et vous brûler.
- Dirigez toujours le cordon électrique vers l'arrière, loin du burin.

- **N'utilisez pas cet outil pendant des périodes prolongées.** Les vibrations provoquées par l'action du marteau peuvent être nuisibles pour vos mains et vos bras. Portez des gants pour amortir les vibrations et limitez l'exposition en faisant des pauses fréquentes.

### Risques résiduels

Les risques suivants sont inhérents à l'utilisation des marteaux de démolition :

- Dommages corporels par contact avec les parties brûlantes de l'outil.

En dépit de l'application des normes de sécurité en vigueur et de l'installation de dispositifs de sécurité, certains risques résiduels sont inévitables. Il s'agit de :

- Diminution de l'acuité auditive ;
- Risques de se pincer les doigts lors du changement d'accessoires ;
- Risques pour la santé causés par l'inhalation de poussières dégagées lors du travail du béton et/ou de la maçonnerie.

### Étiquettes sur l'appareil

On trouve les diagrammes suivants sur l'outil :



Lire la notice d'instructions avant toute utilisation.



Porter un dispositif de protection auditive.



Porter un dispositif de protection o

### EMPLACEMENT DE LA DATE CODÉE DE FABRICATION (FIG. 1)

La date codée de fabrication (g), qui comprend aussi l'année de fabrication, est imprimée sur le boîtier.

Exemple :

2013 XX XX

Année de fabrication

### Contenu de l'emballage

L'emballage contient :

- 1 perforateur-burineur
- 1 poignée latérale
- 1 burin pointu
- 1 boîtier en plastique
- 1 manuel de l'utilisateur

- 1 dessin éclaté
- Vérifiez si l'outil, les pièces ou les accessoires ne présentent pas de dommages dus au transport.
  - Prenez le temps de lire et de comprendre dans son intégralité ce manuel avant d'utiliser l'outil.

### Description (fig. 1)



**AVERTISSEMENT** : ne jamais modifier l'outil électrique ni aucun de ses composants. Il y a risques de dommages corporels ou matériels.

- Interrupteur Marche/Arrêt
- Poignée principale
- Bouton de réglage de l'énergie de frappe électronique
- Collier d'index de position du burin
- Porte-outil/manchon
- Poignée latérale

### UTILISATION PRÉVUE

Le marteau hydraulique industriel D25901 est conçu pour les applications lourdes de démolition, de burinage et de ciselage.

**NE L'UTILISEZ PAS** dans un endroit humide ou en présence de liquides ou de gaz inflammables.

Ces perforateurs-burineurs à usage industriel sont des outils électriques professionnels. **TENEZ** les enfants à l'écart de l'outil. Les utilisateurs inexpérimentés doivent être encadrés lorsqu'ils utilisent cet outil.

- Ce produit n'est pas prévu pour être utilisé par des personnes (y compris les enfants) dont les capacités physiques, sensorielles ou mentales sont réduites ou qui manquent d'expérience ou d'aptitudes, sauf si ces personnes sont surveillées par une autre personne responsable de leur sécurité. Ne jamais laisser les enfants seuls avec ce produit.

### Fonction de démarrage en douceur

La fonction de démarrage en douceur fait que la cadence de frappe s'intensifie plus lentement, ce qui évite que le burin ou la pointe ne « rebondisse » sur la maçonnerie au démarrage.

### Contrôle de la vibration active

Le contrôle de la vibration active neutralise les vibrations et rebonds du mécanisme du marteau. Grâce à la réduction des vibrations exercées sur la main et le bras, l'utilisation pendant une plus longue durée est plus confortable et prolonge la durée de vie de l'unité.

### Réglage de l'énergie de frappe électronique – (fig. 1)

Le bouton de réglage de l'énergie de frappe électronique (c) fournit les avantages suivants :

- utilisation d'accessoires plus petits sans risque de cassure
- percée minimale lors du ciselage de matériaux mous ou cassants
- maîtrise optimale de l'outil pour un ciselage précis

### Sécurité électrique

Le moteur électrique a été conçu pour fonctionner sur une tension unique. Vérifier systématiquement que la tension du secteur correspond bien à la tension indiquée sur la plaque signalétique.



Votre outil DEWALT à double isolation est conforme à la norme EN 60745 ; un branchement à la terre n'est donc pas nécessaire.



**AVERTISSEMENT** : les appareils à 120 V doivent être utilisés avec des transformateurs d'isolation à l'épreuve des pannes doté d'un écran de terre entre l'enroulement primaire et secondaire.

Si le cordon fourni est endommagé, le remplacer par un cordon spécialement conçu à cet effet, et disponible auprès du service après-vente DEWALT.



Toujours utiliser la fiche prescrite lors du remplacement du câble d'alimentation.

Type 11 pour la classe II (Isolation double) – outils

Type 12 pour la classe I (Conducteur de terre) – outils



En cas d'utilisation à l'extérieur, connecter les outils portatifs à un disjoncteur FI.

### Remplacement de la fiche d'alimentation (Moyen-Orient et Afrique)

Si une nouvelle fiche d'alimentation doit être montée :

- Mettre soigneusement au rebut l'ancienne fiche.
- Raccorder le fil marron à la borne de phase dans la fiche.
- Raccorder le fil bleu à la borne de neutre.



**AVERTISSEMENT** : aucun branchement ne doit être fait à la borne de terre.

## FRANÇAIS

Suivez les instructions de montage fournies avec des fiches de bonne qualité. Fusible recommandé : 13 A.

### Utilisation d'une rallonge

Si une rallonge s'avère nécessaire, utiliser une rallonge homologuée et compatible avec la tension nominale de cet outil (se reporter à la section **Caractéristiques techniques**). La section minimale du conducteur est de 1 mm<sup>2</sup> pour une longueur maximale de 30 m.

En cas d'utilisation d'un dévidoir, dérouler systématiquement le câble sur toute sa longueur.

### MONTAGE ET RÉGLAGES



**AVERTISSEMENT** : pour réduire tout risque de dommages corporels, arrêter l'outil et débrancher l'appareil du secteur avant d'installer ou de retirer tout accessoire, avant tout réglage ou changement de configuration ou lors de réparations. S'assurer que la gâchette est bien en position d'ARRÊT. Tout démarrage accidentel pourrait causer des dommages corporels.



**AVERTISSEMENT** : portez toujours des gants pour remplacer les accessoires. Les pièces métalliques à découvert de l'outil peuvent devenir très chaudes pendant l'opération.

### Insertion et retrait des accessoires SDS Max® (fig. 3, 4)

Cette machine utilise des burins SDS Max® (reportez-vous à l'encart de la figure 4 pour une coupe transversale de la tige du burin).

Utilisez uniquement des accessoires recommandés par DEWALT avec ce produit.

1. Nettoyez la tige du burin.



**AVERTISSEMENT** : n'appliquez pas de lubrifiant sur la machine.

2. Insérez la tige du burin dans le porte-outil/manchon (e). Enfoncez et tournez légèrement le burin jusqu'à ce que le manchon s'encliquète en place.
3. Tirez sur le burin pour vérifier qu'il est bien verrouillé. Pour permettre le martelage, le burin doit être capable de se déplacer axialement de plusieurs centimètres lorsqu'il est verrouillé dans le porte-outil.

4. Pour retirer un burin, tirez vers l'arrière le porte-outil/manchon (e) et faites sortir le burin du porte-outil.

### Indexation de la position du burin (fig. 5)

Le burin peut être indexé et verrouillé sur 12 positions différentes.

1. Insérez le burin comme décrit ci-dessus.
2. Tournez le collier de position du burin (d) dans le sens de la flèche jusqu'à ce que le burin se trouve dans la position désirée.

### Utilisation du bouton de réglage de l'énergie de frappe électronique (fig. 1)

Tournez le bouton (c) jusqu'au niveau désiré. Plus le chiffre est élevé, plus l'énergie de frappe l'est aussi. Les réglages de « 1 » (faible) à « 7 » (pleine puissance) en font un outil polyvalent et adapté à différents usages.

Le réglage nécessaire est question d'expérience, par exemple :

- pour ciseler des matériaux mous et cassants ou lorsqu'une percée minimale est nécessaire, placez le bouton sur « 1 » or « 2 » (faible) ;
- pour démolir des matériaux plus durs, placez le bouton sur « 7 » (pleine puissance).

### Installation et réglage de la poignée latérale (fig. 6)

La poignée latérale (f) peut être fixée sur l'avant de la machine pour satisfaire au droitier et au gaucher.



**AVERTISSEMENT** : utilisez toujours la machine avec la poignée latérale correctement installée.

1. Dévissez la molette de serrage de la poignée latérale (i).
2. Faites glisser l'ensemble de la poignée latérale sur la machine en plaçant la bague en acier (h) sur la zone de montage (x). La position correcte de la poignée latérale est entre le haut et le milieu du tube.
3. Ajustez la poignée latérale (f) à l'angle désiré.
4. Faites glisser et pivoter la poignée latérale sur la position désirée.
5. Verrouillez la poignée latérale en place en serrant la molette de serrage (i).



## FONCTIONNEMENT

### Instructions d'utilisation



#### AVERTISSEMENT :

- Respectez toujours les consignes de sécurité et les règles en vigueur.
- Vérifiez l'emplacement des tuyauteries et canalisations.
- Exercez une pression d'environ 20 à 30 kg sur l'outil. Exercer une force excessive n'accéléra pas le ciselage, mais diminuera les performances de l'outil et risque de réduire la durée de vie de l'outil.

### Position correcte des mains (fig. 1, 2)



**AVERTISSEMENT :** pour réduire tout risque de dommages corporels graves, adopter **SYSTÉMATIQUEMENT** la position des mains illustrée.



**AVERTISSEMENT :** pour réduire tout risque de dommages corporels graves, maintenir fermement et **SYSTÉMATIQUEMENT** l'outil pour anticiper toute réaction soudaine de sa part.

La position correcte des mains requiert une main sur la poignée latérale (f), et l'autre sur la poignée principale (b).

### Mise sous et hors tension de l'outil (fig. 1)

Mise sous tension : placez l'interrupteur Marche/Arrêt (on/off) (a) sur la position 1.

Mise hors tension : placez l'interrupteur Marche/Arrêt (a) sur la position 0.

### Démolition, ciselage et burinage (fig. 1)

1. Sélectionnez le burin approprié, puis nettoyez.
2. Insérez le burin et vérifiez qu'il est correctement verrouillé.
3. Réglez le niveau de l'énergie de frappe.
4. Fixez en place et réglez la poignée latérale (f) en vous assurant qu'elle est solidement serrée.
5. Tenez l'outil par les deux poignées (b, f) et mettez-le sous tension. L'outil fonctionne actuellement en continu.

6. Mettez toujours l'outil hors tension une fois la tâche terminée et avant de le débrancher.

Vous trouverez différents types de burin en option.

Utilisez uniquement des accessoires recommandés par DEWALT avec ce produit.

## MAINTENANCE

Cet outil DEWALT a été conçu pour fonctionner longtemps avec un minimum de maintenance. Le fonctionnement continu et satisfaisant de l'outil dépend d'un entretien adéquat et d'un nettoyage régulier.

Cette machine n'est pas réparable par l'utilisateur. Apportez votre outil à un réparateur agréé DEWALT après environ 100 heures d'utilisation. En cas de problème avant cette période, contactez un réparateur agréé DEWALT.

### Entretien des accessoires (fig. 7)

L'entretien opportun des accessoires garantit des résultats d'utilisation optimaux et une durée de vie des accessoires longue et efficace.

Meulez les burins sur des disques abrasifs. Reportez-vous à la figure 9 pour connaître l'angle approprié des burins suivants :

- j. Burin bêche
- k. Burin à bout plat
- l. Burin pointu
- m. Burin en U
- n. Burin creux
- o. Burin à mortier
- p. Burin denté



**AVERTISSEMENT :** ces burins ne peuvent être meulés qu'un nombre limité de fois. Dans le doute, demandez les conseils de votre revendeur.



**AVERTISSEMENT :** assurez-vous que le bord tranchant ne présente pas de décoloration due à une pression excessive. Ceci pourrait endommager la dureté de l'accessoire.



### Lubrification

Votre outil électrique ne requiert aucune lubrification additionnelle.



## Entretien



**AVERTISSEMENT** : éliminer poussière et saleté du boîtier principal à l'aide d'air comprimé chaque fois que les orifices d'aération semblent s'encrasser. Porter systématiquement des lunettes de protection et un masque anti-poussières homologués au cours de cette procédure.



**AVERTISSEMENT** : ne jamais utiliser de solvants ou tout autre produit chimique décapant pour nettoyer les parties non métalliques de l'outil. Ces produits chimiques pourraient en attaquer les matériaux utilisés. Utiliser un chiffon humidifié avec de l'eau et un savon doux. Protéger l'outil de tout liquide et n'immerger aucune de ses pièces dans aucun liquide.

Selon les réglementations locales, il peut être offert : service de collecte sélective individuel des produits électriques, ou déchetterie municipale ou collecte sur les lieux d'achat des produits neufs.

DEWALT dispose d'installations pour la collecte et le recyclage des produits DEWALT en fin de vie. Pour profiter de ce service, veuillez rapporter votre produit auprès d'un centre de réparation agréé qui le recyclera en notre nom.

Pour connaître l'adresse d'un centre de réparation agréé près de chez vous, veuillez contacter votre distributeur DEWALT local à l'adresse indiquée dans cette notice d'instructions, ou consulter la liste des centres de réparation agréés DEWALT, l'éventail de notre SAV et tout renseignement complémentaire sur Internet à l'adresse : [www.2helpU.com](http://www.2helpU.com).

## Accessoires en option



**AVERTISSEMENT** : comme les accessoires autres que ceux offerts par DEWALT n'ont pas été testés avec ce produit, leur utilisation avec cet appareil pourrait être dangereuse. Pour réduire tout risque de dommages corporels, seuls des accessoires DEWALT recommandés doivent être utilisés avec cet appareil.

Veuillez consulter votre revendeur pour plus d'informations sur les accessoires appropriés.

## Protection de l'environnement



Collecte sélective. Ne pas jeter ce produit avec les ordures ménagères.

En fin de durée de vie ou d'utilité de votre produit DEWALT, ne pas le jeter avec les ordures ménagères, mais dans les conteneurs de collecte sélective.



La collecte sélective des produits et emballages usagés permet de recycler et réutiliser leurs matériaux. La réutilisation de matériaux recyclés aide à protéger l'environnement contre la pollution et à réduire la demande en matière première.

# مطرقة الهدم

## D25901

### تهانينا!


لقد اخترت أداة DEWALT. سنوات الخبرة التي تمتد خلالها عمليات تطوير المنتجات وابتكارها تجعل DEWALT من أكثر الشركاء الذين يمكن الاعتماد عليهم بالنسبة لمستخدمي الأدوات الآلية المحترفين.


### البيانات الفنية


D25901	
الجهد الكهربائي	فولت 240-220
النوع	120
التردد	هرتز 2
دخل الطاقة	وات 60/50
معدل التأثير	دقيقة <sup>1</sup> 1,550
طاقة التأثير (2009/EPTA 05)	ل 2,100-1,050
حامل الأداة	19
أوضاع الإزميل	*SDS Max
الوزن	كغم 12
	10.5


### التعريفات: تعليمات الأمان


تصف التعريفات التالية مستوى أهمية كل كلمة تحذيرية. يرجى قراءة الدليل والانتباه لتلك الرموز.


 خطر: تشير هذه الكلمة إلى وجود حالة خطر وشيكة. وإذا لم يتم تفاديها، فقد تؤدي إلى الوفاة أو الإصابة الجسيمة.


 تحذير: تشير هذه الكلمة إلى وجود حالة خطر محتملة. وإذا لم يتم تفاديها، فقد تؤدي إلى الوفاة أو الإصابة الجسيمة.

 تنبيه: تشير هذه الكلمة إلى وجود حالة خطر محتملة. وإذا لم يتم تفاديها، فقد تؤدي إلى حدوث إصابة بسيطة أو متوسطة.


 ملاحظة: تشير إلى ممارسة غير متعلقة بإصابة شخصية إذا لم يتم تفاديها، فقد تؤدي إلى ضرر الممتلكات.

 تشير إلى خطر حدوث صدمة كهربائية.

 تشير إلى خطر نشوب حريق.

 تحذير: لتقليل خطر حدوث الإصابات، تفضل بقراءة دليل التعليمات.

### تحذيرات الأمان العامة للأدوات الكهربائية

 تحذير: تفضل بقراءة جميع تحذيرات الأمان وجميع التعليمات. عدم الالتزام باتباع هذه التحذيرات والتعليمات قد يؤدي إلى حدوث صدمة كهربائية، و/أو نشوب حريق، و/أو إصابة جسيمة.

### احتفظ بجميع التحذيرات والتعليمات من أجل الرجوع إليها في المستقبل

يشير المصطلح "أداة كهربائية" في التحذيرات إلى الأداة الكهربائية التي تعمل بالطاقة الكهربائية (مزودة بسلك كهربائي) أو الأداة الكهربائية التي تعمل بالبطارية (غير مزودة بسلك كهربائي).

#### (1) أمان منطقة العمل

- (أ) احتفظ بمنطقة العمل نظيفة ومضاءة بطريقة جيدة. حيث أن المناطق المتكدسة بغير نظام أو المظلمة تؤدي إلى وقوع الحوادث.
- (ب) لا تقم بتشغيل الأدوات الكهربائية في الأجواء المتفجرة. كأن يوجد بالمكان سوائل أو غازات أو غبار قابل للاشتعال. قد تؤدي الأدوات الكهربائية التي تحدث شرارات في اشتعال الأتربة أو الأبخرة.
- (ج) حافظ على الأطفال والأشخاص المشاهدين بعيداً أثناء تشغيل الأداة الكهربائية. فقد يؤدي تشتت الانتباه إلى فقدان سيطرتك.

#### (2) السلامة الكهربائية

- (أ) يجب أن يتطابق قابس الأداة الكهربائية مع مصدر التيار الكهربائي. لا تقم مطلقاً بإجراء تعديل على القابس بأي طريقة. لا تستخدم قابس المحول مع الأدوات الكهربائية المؤرضة (تم تأريضها). حيث ستقلل المقابس غير المعدلة ومصادر التيار الكهربائي المتطابقة من خطر حدوث صدمة كهربائية.
- (ب) تجنب تلامس الجسد مع الأسطح الأرضية أو المؤرضة كالأنابيب، المشعاع والنطاقات والتلجعات. حيث يوجد خطر متزايد من حدوث صدمة كهربائية إذا كان جسدك مؤرضاً أو ثابتاً على الأرض.
- (ج) لا تعرض الأدوات الكهربائية للمطر أو البلل. إذ سيؤدي الماء الذي يدخل الأداة الكهربائية إلى زيادة خطر حدوث صدمة كهربائية.
- (د) لا تستخدم الكابلات بطريقة خاطئة، لا تستخدم مطلقاً السلك من أجل حمل الأشياء أو سحبها أو لنزع قابس الأداة الكهربائية. أبعد السلك عن الحرارة أو الزيوت أو الحواف الحادة أو الأجزاء المتحركة. إذ تزيد الأسلاك التالفة أو المتشابكة من خطر حدوث صدمة كهربائية.
- (هـ) عند تشغيل الأداة الكهربائية خارج المنزل، استخدم سلك استتالة ملائم للاستخدام في الأماكن الخارجية. حيث إن استخدام السلك الملائم للاستخدام الخارجي يقلل من خطر حدوث الصدمة الكهربائية.
- (و) إذا لم يكن هناك مفر من تشغيل الأداة الكهربائية في أحد الأماكن الرطبة، فاستخدم مصدر إمداد محمي بجهاز قاطع الدورة (RCD). استخدام جهاز التيار المتبقي يقلل من حدوث الصدمة الكهربائية.

#### (3) السلامة الشخصية

- (أ) ابق متيقظاً وراقب ما تقوم بفعله واستعن بالحواس العامة عند تشغيل الأداة الكهربائية. لا تستخدم الأداة الكهربائية عندما تكون متعباً أو تحت تأثير المخدرات أو الكحول أو الأدوية. قد تؤدي أي لحظة من السهو أثناء تشغيل الأدوات الكهربائية إلى حدوث إصابة جسيمة جسيمة.

## 5) الخدمة

أ) قم بصيانة الأداة الكهربائية الخاصة بك على يد فني إصلاح مؤهل وذلك من خلال استخدام أجزاء بديلة متطابقة فقط. حيث سيضمن ذلك الحفاظ على أمان الأداة الكهربائية.

## تعليمات السلامة الإضافية لمطارق الهدم

- قم بارتداء واقبات الأذن. التعرض للضوضاء قد يؤدي إلى فقدان السمع.
- استخدم المقابض الواردة مع الأداة. فقدان التحكم قد يؤدي إلى حدوث إصابة شخصية.
- قم بإمسك الأدوات الكهربائية بواسطة أسطح الإمساك المعزولة عند تنفيذ العملية حيث قد تتلامس أداة القطع مع الأسلاك الخفية أو السلك الخاص به. ملحق القطع المتلامس مع السلك "النشط" قد يؤدي إلى "تنشيط" الأجزاء المعدنية المكتشوفة من الأداة وتعرض المشغل للصعق.
- تأكد من أن المواد المراد نقيها لا يختفي فيها أي أشياء كهربائية أو غاز وأنه قد تم التحقق من صحة مواقعها بواسطة شركات المرافق العامة.
- امسك الأداة بإحكام في كل الأوقات. لا تحاول تشغيل هذا الأداة بدون مسكها بكلتي يديك. تشغيل هذه الأداة بيد واحدة سيؤدي إلى فقدان التحكم. اختراق المواد الصلبة أو مصادفتها كالحديد قد يصبح من الأمور الخطيرة أيضاً. قم بإحكام ربط المقبض الجانبي جيداً قبل الاستخدام.
- تأكد من أن الإزميل محكم الربط في موضعه قبل تشغيل الأداة.
- في أحوال الطقس الباردة أو عندما لا يتم استخدام الأداة لفترة زمنية طويلة. فقم بترك الأداة بدون حمل لعدة دقائق قبل الاستخدام.
- عند العمل فوق المستوى الأرضي. تأكد من أن المنطقة السفلية خالية.
- لا تلمس الإزميل أو الأجزاء القريبة من الإزميل بعد التشغيل مباشرة. لأنها تكون ساخنة للغاية وقد تؤدي إلى إصابة الجلد بحروق.
- قم دوماً بتوجيه كابل الطاقة إلى الخلف. بعيداً عن الإزميل.
- لا تقم بتشغيل هذه الأداة لفترات زمنية طويلة. فقد يؤدي الاهتزاز الناتج عن عمل المطرقة إلى إلحاق الأذى ببيدك وذراعك. استخدم القفازات لتلطيف للصددمات والراحة الإضافية والحد من أخذ فترات متكررة من أجل الراحة.

## المخاطر المتبقية

تعتبر المخاطر التالية متناصلة في استخدام مطارق الهدم:

— الإصابات الناجمة عن ملامسة الأجزاء الساخنة من الأداة.

على الرغم من تطبيق تعليمات السلامة ذات الصلة والتزود بأجهزة الأمان إلا أنه لا يمكن تفادي بعض المخاطر المتبقية المحددة. وتشمل هذه المخاطر ما يلي:

- ضعف السمع.
- خطر التعرض لعصر الأصابع عند تغيير الملحق.
- المخاطر الصحية الناجمة عن استنشاق الأتربة الناشئة عند العمل في الخرسانة و/أو الأبنية.

- ب) استخدم معدات الوقاية الشخصية. قم دوماً بارتداء واقبي العينين. إذ أن استخدام معدات الوقاية مثل كمامات الأتربة. وأحذية الأمان المانعة للانزلاق. والخوذة الصلبة. أو واقبي الأذن للحالات ذات الصلة سيفلقل من الإصابات الشخصية.
- ج) تجنب التشغيل العرسي. تأكد من أن المفتاح في وضع إيقاف التشغيل قبل التوصيل بمصدر الطاقة. و/ أو مجموعة البطارية. أو التقاط أو حمل الأداة. حيث قد يؤدي حمل الأدوات الكهربائية أثناء وجود إصبعك على المفتاح أو إمداد الأدوات الكهربائية التي يكون مفتاحها بوضع التشغيل بالكهرباء إلى وقوع الحوادث.
- د) قم بإخراج أي مفتاح ضبط أو مفتاح ربط قبل تشغيل الأداة الكهربائية. فقد يؤدي ترك مفتاح الربط أو المفتاح بالجزء الدوار بالأداة الكهربائية إلى حدوث إصابة شخصية.
- هـ) تجنب مد يدك بعيداً بالجهاز. حافظ على ثبات موضع قدمك والتوازن طيلة الوقت. إذ يساعدك ذلك على التحكم بشكل أفضل في الأداة الكهربائية في المواقف الفجائية.
- و) ارتد ملابس مناسبة. لا تقم بارتداء ملابس أو مجوهرات فضفاضة. أبعد الشعر والملابس والقفازات عن الأجزاء المتحركة. فقد تنحسر الملابس أو المجوهرات الفضفاضة أو الشعر الطويل في الأجزاء المتحركة.
- ز) في حال توفير الأجهزة للتوصيل بوسائل استخلاص وتجميع الأتربة. فتأكد من توصيلها واستخدامها بطريقة صحيحة. حيث أن تجميع الأتربة قد يؤدي إلى تقليل المخاطر المتعلقة بالأتربة.

## 4) استخدام الأداة الكهربائية والعناية بها

- أ) لا تتعامل بالقوة مع الأداة الكهربائية. استخدم الأداة الكهربائية الملائمة لغرض الاستخدام الخاص بك. حيث ستنجز الأداة الكهربائية الملائمة المهمة بشكل أفضل وأكثر أمناً عند المعدل الذي صممت من أجله.
- ب) لا تستخدم الأداة الكهربائية إذا كان المفتاح لا يؤدي إلى التشغيل وإيقاف التشغيل. حيث تشكل أي أداة كهربائية لا يمكن التحكم فيها بواسطة المفتاح خطورة ويجب إصلاحها.
- ج) قم بفصل القابس من مصدر الطاقة و/ أو مجموعة البطارية من الأداة الكهربائية قبل إجراء أي عمليات ضبط أو تغيير ملحقات أو تخزين الأدوات الكهربائية. تقلل مثل إجراءات السلامة الوقائية هذه من خطر تشغيل الأداة الكهربائية بشكل فجائي.
- د) قم بتخزين الأدوات الكهربائية المتوقفة عن العمل بعيداً عن متناول الأطفال ولا تدع الأشخاص غير الملمين بالأداة الكهربائية أو بهذه التعليمات يقومون بتشغيل الأداة الكهربائية. إذ تعد الأدوات الكهربائية خطيرة في أيدي المستخدمين غير المدربين على استخدامها.
- هـ) حافظ على الأدوات الكهربائية. أفضص للتحري عن أي محاذة غير صحيحة أو التصاق للأجزاء المتحركة. أو كسر بالأجزاء وأي حالات أخرى قد تؤثر على تشغيل الأداة الكهربائية. وفي حال وجود تلف. قم بإصلاح الأداة الكهربائية قبل الاستخدام. حيث يرجع سبب وقوع العديد من الحوادث إلى الصيانة السيئة للأدوات الكهربائية.
- و) حافظ على أدوات القطع في حالة حادة ونظيفة. حيث أن أدوات القطع التي تتم صيانتها بطريقة صحيحة ومزودة بحواف قطع حادة تتعرض بشكل أقل للتصاق ويسهل التحكم بها على نحو أكبر.
- ز) استخدم الأداة الكهربائية والملحقات ولقم الأداة وما شابه ذلك وفقاً لهذه التعليمات مع الأخذ في الاعتبار ظروف التشغيل والعمل المراد تنفيذه. إذ أن استخدام الأداة الكهربائية لعمليات مختلفة عن تلك العمليات المخصصة لها قد يؤدي إلى حالة خطيرة.

## العلامات على الأداة

الصور التالية موضحة على الأداة:

اقرأ دليل التعليمات قبل الاستخدام.



قم بارتداء واقبات الأذن.



قم بارتداء واقبات العين.



### وضع كود التاريخ (الشكل 1)

كود التاريخ (ز) الذي يتضمن كذلك عام التصنيع مطبوع في المبيت. مثال:

2013 XX XX  
سنة التصنيع

### محتويات العبوة

تحتوي العبوة على ما يلي:

- 1 مطرقة هدم
- 1 مقبض جانبي
- 1 إزميل مدبب
- 1 علبة بلاستيكية
- 1 دليل التعليمات
- 1 رسم ممتد

- افحص بحرصاً عن أي تلف لحق بالأداة أو الأجزاء أو الملحقات يمكن أن يكون قد حدث أثناء النقل.
- استغرق الوقت اللازم لقراءة هذا الدليل وفهمه جيداً قبل التشغيل.

### الوصف (شكل 1)

تحذير: لا تقم مطلقاً بتعديل الأداة الكهربائية أو أي جزء منها. فقد ينجم عن ذلك التلف أو الإصابة الشخصية.



- أ. مفتاح التشغيل/ إيقاف التشغيل
- ب. المقبض الرئيسي
- ج. قرص ضبط طاقة التأثير الإلكتروني
- د. جلبة مؤشر موضع الإزميل
- هـ. كم/حامل الأداة
- و. مقبض جانبي

### الاستخدام المقصود

تم تصميم مطرقة الهدم القوية D25901 للهدم القوي واستخدامات القطع والترصيع.

لا تستخدم في ظل الأحوال الجوية الممطرة، أو في وجود السوائل أو الغازات القابلة للاشتعال.

مطرقة الهدم القوية من الأدوات الآلية المهنية. لا تدع الأطفال يلمسون الأداة. يكون الإشراف أمراً ضرورياً عند استخدام مشغل قليل الخبرة لهذه الأداة.

• هذا المنتج غير مخصص للاستخدام من قبل الأفراد (بما في ذلك الأطفال) الذين يعانون من قصور في القدرات الجسدية أو الحسية أو العقلية، وقلة الخبرة أو المعرفة أو المهارات ما لم يكونوا تحت إشراف من يتحمل مسؤولية سلامتهم. لا ينبغي أن يترك الأطفال وحدهم مع هذا المنتج.

### ميزة بدء التشغيل الهادئ

تتيح ميزة التشغيل الهادئ تراكم معدل التأثير ببطء أكبر، وبالتالي منع "ارتداد" الإزميل أو النقطة في حرفة البناء عند بدء التشغيل.

### مفتاح التحكم في الاهتزاز النشط

يعمل مفتاح التحكم في الاهتزاز النشط على تحييد اهتزاز الارتداد الناشئ من آلية المطرقة. ويتيح خفض اهتزاز اليدين والذراعين استخداماً مريحاً بشكل أكبر لفترة زمنية طويلة ويطيل عمر الوحدة.

### ضبط طاقة التأثير الإلكتروني (الشكل 1)

مراقبة طاقة التأثير الإلكتروني (ج) تقدم المميزات التالية:

- استخدام ملحقات أصغر بدون مخاطر الكسر
- خفض التكسير عند النحت الخفيف أو عندما تكون المواد هشة
- التحكم المثالي في الأداة للنحت الدقيق

### السلامة الكهربائية

تم تصميم المحرك الكهربائي لتحمل جهد كهربائي واحد فقط. تأكد دوماً من أن مصدر إمداد الطاقة مطابق للجهد الكهربائي المبين على لوحة التصنيف.

تم تزويد الأداة الخاصة بك من DEWALT بعازل مزدوج طبقاً لمعيار EN 60745، لذا لا حاجة للسلك الأرضي.



تحذير: يجب تشغيل الوحدات بسعة 120 فولط من خلال محول العزل الآمن من التعطل مع شاشة التاريز بين الملفات الرئيسية وغير الرئيسية..



إذا كان سلك إمداد الطاقة تالفاً، فيجب استبداله بسلك آخر معد خصيصاً متوفر لدى مراكز خدمة DEWALT.

### استبدال قابس التيار الرئيسي (الشرق الأوسط وإفريقيا)

إذا استخدمت الضرورة تركيب قابس تيار رئيسي فقم بالتالي:

- تخلص بأمان من القابس القديم.
- وصل السلك البني بطرف التوصيل النشط في القابس.
- وصل السلك الأزرق بطرف التوصيل المحايد.

تحذير: لا يتم إجراء أي توصيل بطرف التوصيل الأرضي.



قم باتباع التعليمات الواردة مع القوابس ذات الجودة العالية. المنصهر الموصى باستخدامه: 13 أمبير.

### استخدام كابل الاستطالة

إذا استدعت الضرورة استخدام كابل استطالة، فاستخدم كابل استطالة معتمد ملانم لدخل طاقة هذه الأداة، (انظر البيانات الفنية). الحد الأدنى لحجم الموصل هو 1 ملم<sup>2</sup>، بينما أقصى طول هو 30 م عند استخدام بكرة الكابل، قم دوماً بفك الكابل تماماً.

## عمليات التجميع والضبط

- تحذير: قم دوماً بتشغيل الآلة والمقبض الجانبي مركب بطريقة صحيحة.
1. قم بفك عقدة مشبك المقبض الجانبي (ط).
2. قم بزلق مجموعة المقبض الجانبي في الآلة مع تحديد مكان الحلقة الفولاذية (ح) في منطقة التثبيت (خ). يوجد الموضع الصحيح للمقبض الجانبي بين رأس ووسط الأنبوب.
3. اضبط المقبض الجانبي (و) على الزاوية المطلوبة.
4. قم بزلق وإدارة المقبض الجانبي إلى الموضع المطلوب.
5. اقلل المقبض الجانبي في مكانه عن طريق إحكام تثبيت عقدة المشبك (ط).

- تحذير: لخفض خطر التعرض للإصابة، قم بإيقاف تشغيل الوحدة، وفصل الماكينة من مصدر الطاقة قبل تركيب المحلقات وفكها، وقبل ضبط أو تغيير الإعدادات، أو عند إجراء الإصلاحات، تأكد من أن مفتاح التشغيل في وضع OFF (إيقاف التشغيل). فبدء التشغيل العرضي قد يؤدي إلى حدوث إصابة.
- تحذير: ارتد دائمًا قفازات عند تغيير الملحقات، قد تصبح الأجزاء المعدنية المكشوفة في الآلة والملحق ساخنة للغاية أثناء التشغيل.

## إدخال وإزالة ملحقات SDS Max (الشكل 3، 4)

تستعمل هذه الآلة أزاميل SDS Max® (يرجى الرجوع إلى الصورة الداخلية في الشكل 4 لرؤية المقطع العرضي لساق الإزميل). يجب استخدام ملحقات DEWALT الموصى بها فقط مع هذا المنتج.

1. قم بتنظيف ساق الإزميل.

تحذير: لا تستخدم الشحيم في الآلة.

2. أدخل ساق الإزميل في كم/حامل الأداة (هـ). قم بضغط ولف الإزميل قليلاً حتى يطبق الكم في الموضع الصحيح.
3. اسحب الإزميل للتحقق إذا ما كان مقللاً بطريقة صحيحة أم لا. تتطلب وظيفة الطوق أن يكون الإزميل قادرًا على التحرك بشكل محوري عدة سنتيمترات عندما يتم قفلها في حامل الأداة.
4. لإزالة الإزميل، اسحب للخلف كم/حامل الأداة (هـ)، واسحب الإزميل خارج حامل الأداة.

## فهرسة وضع الإزميل (الشكل 5)

يمكن فهرسة الإزميل وقفله في 12 موضعًا مختلفًا.

1. أدخل الإزميل كما هو موضح أعلاه.
2. أدر جلبة موضع الإزميل (د) في اتجاه السهم حتى يستقر الإزميل في الموضع المطلوب.

## إعداد قرص ضبط طاقة التأثير الإلكتروني (الشكل 1)

- قم بلف القرص (ج) إلى المستوى المرغوب. كلما كان الرقم أعلى، كلما كانت طاقة التأثير أكبر. مع إعدادات القرص من «1» (منخفض) إلى «7» (الطاقة الكاملة) تكون الأداة متعددة الاستعمالات لأقصى درجة ويمكن تهيئتها للعديد من التطبيقات المختلفة.
- الإعدادات المطلوبة تعتبر موضوع خبرة، على سبيل المثال:
- عند النحت بشكل خفيف، أو عندما تكون المواد هشة أو عندما يُراد تكسر أقل قدر ممكن، ضع القرص على «1» أو «2» (منخفض)؛
  - عند تكسير مواد أصلب، ضع القرص على «7» (الطاقة الكاملة).

## تركيب وضبط المقبض الجانبي (الشكل 6)

يمكن تثبيت المقبض الجانبي (و) على الجزء الأمامي من الآلة لملاءمة كل من المستخدمين الذين يستخدمون اليد اليمنى واليسرى.

## التشغيل

### تعليمات الاستخدام

تحذير:

- التزم دوماً بتعليمات الأمان واللوائح المعمول بها.
- كن على دراية بموقع الأنايب والأسلاك.
- استخدم ضغطًا يبلغ حوالي 20-30 كغم على الأداة. القوة المفرطة لا تؤدي إلى تسريع عملية الهدم فحسب ولكنها تقلل من أداء الأداة وقد تقصر من عمر تشغيل الأداة.

### الوضع اليدوي الصحيح (الشكلان 1، و 2)

- تحذير: لتقليل خطر حدوث الإصابة الشخصية الجسدية، استخدم دوماً الوضع اليدوي الملائم كما هو موضح.
- تحذير: لخفض خطر التعرض للإصابة الجسدية الجسدية، أمسك دوماً الأداة بإحكام عند توقع حدوث رد فعل مفاجئ.

يتطلب الوضع اليدوي الملائم استخدام يد واحدة على المقبض الجانبي (و)، مع وجود اليد الأخرى على المقبض الرئيسي (ب).

### التشغيل وإيقاف التشغيل (شكل 1)

- التشغيل: اضبط مفتاح التشغيل/إيقاف التشغيل (أ) على الوضع 1.
- إيقاف التشغيل: اضبط مفتاح التشغيل/إيقاف التشغيل (أ) على الوضع 0.

### الهدم، والترصيع، وحفر الفتوات (الشكل 1)

1. حدد الإزميل المناسب وقم بتنظيفه.
2. أدخل الإزميل وتحقق إذا ما كان مقللاً بطريقة صحيحة أم لا.
3. اضبط مستوى طاقة التأثير المطلوب.
4. قم بتثبيت وضبط المقبض الجانبي (و)، وتأكد من إحكام تثبيته.
5. امسك الأداة من المقبضين (ب، و)، وقم بتشغيلها. تعمل الأداة الآن في عملية مستمرة.
6. قم دوماً بإيقاف تشغيل الأداة عند الانتهاء من العمل وقبل فصل القابس.

الأنواع المتوفرة للإزميل السداسية متوفرة كتنهيزات اختيارية.

يجب استخدام ملحقات DEWALT الموصى بها فقط مع هذا المنتج.

## الصيانة

تم تصميم الأداة الكهربائية DEWALT الخاصة بك للعمل خلال فترة زمنية طويلة مع أدنى حد من الصيانة. يعتمد التشغيل المرضي المتواصل على العناية الملائمة بالأداة وتنظيفها بشكلٍ منتظم.

هذا الجهاز لا يمكن خدمته من قبل المستخدم. توجه بالأداة إلى وكيل إصلاح DEWALT المعتمد بعد 100 ساعة تقريباً من الاستخدام. إذا استمرت المشكلة قبل هذه الفترة، فاتصل بوكيل إصلاح DEWALT المعتمد.

## صيانة الملحقات (الشكل 7)

تضمن صيانة الملحقات في الوقت المناسب تحقيق أفضل النتائج في الاستخدام وعمر ملحق طويل وفعال.

قم بتجليخ الأزاميل على أقراص التجليخ. يُرجى الرجوع إلى الشكل 9 للحصول على الزوايا المناسبة للأزاميل التالية:

- ي. إزميل على شكل مجراف
- ك. إزميل بارد
- ل. إزميل مدبب
- م. إزميل على شكل حرف U
- ن. إزميل أجوف
- س. إزميل ملاط
- ع. إزميل مسنن

**تحذير:** يمكن تجديد هذه الأزاميل لعدد محدود فقط من المرات، وفي حالة الشك، يُرجى الاتصال بالموزع للاطلاع على التوصيات.

**تحذير:** تأكد من أن حافة القطع لا تعرض لاصفر الألوان الذي يتسبب عن الضغط الأكبر من اللازم، فقد يؤدي هذا إلى إضعاف صلابة الملحق.



## التشحيم

لا تحتاج الأداة الكهربائية الخاصة بك إلى أي تشحيم إضافي.



## التنظيف

**تحذير:** قم بنفخ الأتربة والغبار خارج التجويف الرئيسي بواسطة الهواء الجاف عدد أكبر من المرات في حال مشاهدة تجمع الأتربة بداخل المنافذ الهوائية وحولها. قم بارتداء واقي العين المعتمد وكمامة الأتربة المعتمدة عند تنفيذ هذا الإجراء.

**تحذير:** لا تقم مطلقاً باستخدام مذيبات أو أي مواد كيميائية قاسية أخرى لتنظيف الأجزاء غير المعدنية بالأداة. إذ قد تضعف هذه المواد الكيميائية من المواد المستخدمة في هذه الأجزاء. استخدم قطعة قماش مبللة بالماء والصابون الخفيف فقط. لا تسمح قط بدخول أي سائل إلى الأداة، ولا تقم مطلقاً بغمر أي جزء من الأداة في السائل.

## الملحقات الاختيارية

**تحذير:** نظراً لأن الملحقات، بخلاف تلك التي اعتمدها DEWALT، لم تخضع للاختبار مع هذا المنتج، فإن استخدام مثل هذه الملحقات مع الأداة قد يشكل خطورة. لتقليل خطر وقوع إصابة، يجب استخدام ملحقات DEWALT الموصى بها فقط مع هذا المنتج.

استشر وكيلك لمعرفة المزيد من المعلومات حول الملحقات الملائمة.

## حماية البيئة

تجمع منفصلاً. يجب عدم التخلص من هذا المنتج في النفايات المنزلية العادية.



إذا احتجت في أحد الأيام إلى استبدال منتج DEWALT الخاص بك، أو لم تعد هنالك حاجة لاستخدامه، فلا تتخلص منه في النفايات المنزلية. اجعل هذا المنتج متوفراً للتجميع المنفصل.

التجميع المنفصل للمنتجات والعبوات المستهلكة يتيح إعادة تدوير المواد واستخدامها مرة أخرى إعادة استخدام المواد المعاد تدويرها يساعد على منع التلوث البيئي وتقليل الطلب على المواد الخام.



قد توفر القوانين المحلية أماكن تجميع منفصلة للمنتجات الكهربائية عن النفايات المنزلية، وفي مواقع النفايات البلدية أو بواسطة بائع التجزئة عند شرائك لمنتج جديد.

تقدم شركة DEWALT مكان مخصص لتجميع وإعادة تدوير منتجات DEWALT فور بلوغها نهاية عمر التشغيل. للاستفادة من هذه الخدمة، الرجاء إعادة المنتج الخاص بك إلى وكيل إصلاح معتمد والذي سيقوم بتجميعه نيابة عنك.

بإمكانك التعرف على موقع أقرب وكيل إصلاح معتمد في منطقتك من خلال الاتصال بمكتب DEWALT المحلي على العنوان المحدد في هذا الدليل. بدلاً من ذلك، تتوفر قائمة من وكلاء إصلاح معتمدين تابعين لـ DEWALT مع بياناتهم التفصيلية الكاملة لخدمة ما بعد البيع وجهات الاتصال المتوفرة على الإنترنت عبر الموقع الإلكتروني: [www.2helpU.com](http://www.2helpU.com)









<b>Afghanistan</b>	Ariana Hafiz Zabi Co. Ltd. Dahan Bagh Squire Karte Ariana, Kabul, Afghanistan	info@arianahafiz.com	Tel: 93-0-799331079 Fax: 93-0-700007576 / 93-0-799331079
<b>Algeria</b>	Sarl Outillage Corporation 08, Rue Med Boudiaf (ex TELLA Achen) Cheraga, Alger	hakim.merdjadi@outillage-dz.com lyes@outillage-dz.com Mali.faiza@outillage-dz.com; sidahmed@outillage-dz.com	Tel: 213-0-21375130 213-0-21375131 Fax: 213-0-21369667
<b>Angola</b>	Angoferraria, Lda. Rua Robert Shields, nº 61, Luanda, Angola	angoferraria@gmail.com sequiera.angoferraria@gmail.com	Tel: 244-222-395837 / 244-222-395034 Fax: 244-222-394790
<b>Azerbaijan</b>	Royalton Holdings Ltd. 41 Khagani St. Apt. 47 AZ1001 Baku- Azerbaijan	jai@royaltonholdings.com office@royaltonholdings.com	Tel: 994-12-4935544 Fax: 994-12-5980378
<b>Egypt</b>	ElFarab S.A.E. 15-Nabil El Wakkad Street, Dokki, Giza, Egypt	elfarab@elfarab.com adel.ezzat@elfarab.com mahmoud.elhosseiny@elfarab.com	Tel: 202-37603946 Fax: 202-33352796
<b>Ethiopia</b>	Seif Tewfik Sherif Arada Sub City, Kebele 01/02, Global Insurance Bldg., 2nd Flr., Room 43, P.O. Box 2525, Addis Ababa	seif@ethionet.et nawanag@ethionet.et	Tel: 251-11-1563968 251-11-1563969 Fax: 251-11-1558009
<b>Iraq</b>	Al-Sard Co. for General Trading Ltd Jbara Bldg. 3Flr. Al Rasheed St., Baghdad, Iraq	dewalt.service@yahoo.com	Tel: 964-18184102
<b>Jordan</b>	Amman West Stores-Bashiti 210 Garden St. Tla'a Ali, P.O. Box 1564 Tla Ali Amman 11953, Jordan	ali@bashitstores.com yousef@bashitstores.com	Tel: 962-6-5350009 Fax: 962-6-5350012
<b>Kenya</b>	Dextron Tools Ltd. P.O. Box 20121-00200, Shariff House, Kimathi Street, Nairobi	info@alibhaishariff.co.ke dextron@alibhaishariff.co.ke	Tel: 254-20-6905000 254-20-2358021 Fax: 254-20-6905111 / 254-20-6905112
<b>Lebanon</b>	Est. Shaya & Azar S.A.R.L. Boulevard Jdeideh - Mar Takla - Bouchrieh . P.O. Box 90545, Jdeideh. Beirut - Lebanon	shayazar@dm.net.lb	Tel: 961 1 872305 961 1 872306 Fax: 961 1 872303
<b>Libya</b>	North Africa Trading ( El Ghoul Brothers) P.O. Box 348, 7 October Street 11 Benghazi	maryam_farooq2003@yahoo.com nagte@eim.ae dewalt_libya@yahoo.com	Tel: 218-061-3383994 Fax: 218-092-7640688
	North Africa Trading ( El Ghoul Brothers) AlBarniq DeWALT Center, Mokhazin-elsukar St. ElFallah, Tripoli	dewalt_libya@yahoo.com	Tel: 218-021-3606430 Fax: 218-092-6514813
	North Africa Trading ( El Ghoul Brothers) AlHilal Service Center Tawergha St., Misurata		Tel: 218-091-3221408
<b>Mauritius</b>	Robert Le Marie Limited Old Moka Road, Bell Village, P.O. Box 161, Port Louis	a.blackburn.rm@rmgroup.mu jm.pierrelouis.rm@rmgroup.mu	Tel: 230-212 1865 230-212 2847 Fax: 230-2080843
<b>Morocco</b>	Ets Louis Guillaud & Cie 31, Rue Pierre Parent, Casablanca - 21000	boumadiane.azedine@elg.ma doukkail.marouane@elg.ma	Tel: 522-301446 / 305971 / 317815 / 315576 Fax: 522-444518 / 317888
<b>Nigeria</b>	Meridian Power Tools Ltd. Gr. Floor, #1 Alhaji Masha Rd, Next to Teslim Balogun Stadium, Near National Stadium Surulere, Lagos, Nigeria	braj@meridian-nigeria.com	Tel: 234-1-7740431 234-1-7740410 Fax: 234-1-7913798
<b>Pakistan</b>	Northern Toolings (Pvt) Ltd.-Lahore 86- Railway Road, Lahore - 7 Pakistan	zhayee@northern.pk import@northern.pk sales@northern.pk	Tel: 92-423-7651220 92-423-7641675 Fax: 92-423-7641674
	Northern Toolings (Pvt) Ltd.-Karachi 224-231 Industrial Town Plaza, Shahrah-e-Liaqat, Karachi, Pakistan	karachibr@northern.pk	Tel: 92-213-2465305 92-213-2465307 Fax: 92-213-2465301
	Northern Toolings (Pvt) Ltd.-Taxila Al-Rehman Plaza, Opposite Tehsil Court, Faisal Shaheed Road, Taxila	taxilabr@northern.pk	Tel: 92-51-4545811 Fax: 92-51-4544194
<b>South Africa</b>	Benray Tool Wholesalers C.C. 91 Turfontein Road, Stafford, Johannesburg, 2001 P.O. Box 260037 EXCOM 2023, South Africa	dewaltservice@benray.co.za zain@benray.co.za shafiq@benray.co.za	Tel: 27-11-6838350 Fax: 27-11-6837456
<b>Tanzania</b>	General Motors Investment Ltd. 14 Vingunguti-Nyerere Road, P.O.Box 16541, Dar es Salaam, Tanzania	ezra@gmi-tz.com info@gmi-tz.com chiwelesa@yahoo.com	Tel: 255-22-2865022 / 2862661 / 2862671 / 2862659 Fax: 255-22-2862667
<b>Tunisia</b>	Ets. Mohamed Ghorbel 03 Rue 8603 Chargaia I Tunis. Postal Code 2035	slim.ghorbel@gnet.tn moh.ghorbel@gnet.tn mourad.ghorbel@gnet.tn	Tel: 216-71794248 216-71793848 Fax: 216-71770759
<b>Uganda</b>	The Building Center (u) Ltd. 52 Station Road, Kitgum House, P.O. Box 7436 Kampala, Uganda	tbc@africaonline.co.ug chris@tbcu.co.ug	Tel: 256-041-4234567 256-041-4259754 Fax: 256-041-4236413
<b>Yemen</b>	Middle East Trading Co. (METCO) 5th Flr.Hayel Saeed Anam Bldg. Al-Mugamma St. Taiz, Yemen	tamer.metco@gmail.com tamer@metcotrading.com metco@metcotrading.com sami@metcotrading.com	Tel: 967-4-213455 Fax: 967-4-219869
	Middle East Trading Co. (METCO) Mualla Dakka, Aden	tamer.metco@gmail.com tamer@metcotrading.com metco@metcotrading.com	Tel: 967-2-222670 Fax: 967-2-222670
	Middle East Trading Co. (METCO) Hayel st., Sana'a, Yemen	tamer.metco@gmail.com tamer@metcotrading.com metco@metcotrading.com	Tel: 967-1-204201 Fax: 967-1-204204

<b>UAE</b>	Black & Decker (Overseas) GmbH P.O. Box 5420, Dubai	service.mea@blackdecker.com	Tel: 971-4 8127400 / 8127406 Fax: 971-4 2822765	
	Ideal Star Workshop Eqpt. Trading LLC P.O. Box 37116, Al Quoz, Dubai	idealeq@emirates.net.ae	Tel: 971-4 3474160 Fax: 971-4 3474157	
	Alebrah Engineering Service P.O. Box 78954, Al Qusais, Dubai	alebrah@eim.ae	Tel: 971-4 2850044 Fax: 971-4 2844802	
	Burj Al Madeena Industrial Area No. 1, opp. Pakistani Masjid P.O. Box 37635, Sharjah	dewaltuae@hotmail.com	Tel: 971-6 5337747 Fax: 971-6 5337719	
	McCoy Middle East LLC P.O. Box 25793, Sharjah	mccoy@emirates.net.ae	Tel: 971-6 5395931 Fax: 971-6 5395932	
	McCoy Middle East LLC P.O. Box 10584, Ras Al Khaimah	mccoyrak@gmail.com	Tel: 971-7 2277095 Fax: 971-7 2277096	
	Al Sukoon Gen. Trdg. Co. LLC P.O. Box 2975, Ajman	sukoon@eim.ae	Tel: 971-6 7435725 / 7438317 Fax: 971-6 7437350	
	Zillion Equipment and Spare Parts Trading LLC P.O. Box 19740, opp. Bin Sadal / Trimix Redymix Sanaiya, Al Ain	zilliontrdg@gmail.com	Tel: 971-3 7216690 Fax: 971-3 7216103	
	Light House Electrical, Abu Dhabi Branch P.O. Box 120, Abu Dhabi	dewalt_lhe@hotmail.com	Tel: 971-2 6726131 Fax: 971-2 6720667	
	Light House Electrical, Musaffah Branch P.O. Box 120, Abu Dhabi	dewalt_lhe@hotmail.com	Tel: 971-2 5548315 Fax: 971-2 5540461	
	<b>Bahrain</b>	Alfouz Services Co. WLL P.O. Box 26562, Tubli, Manama	alfouz@batelco.com.bh	Tel: 973 17783562 / 17879987 Fax: 973 17783479
		Kavalani & Sons W.L.L. P.O. Box 71, Sitra, Manama	info@kavalani.com pradeep@kavalani.com	Tel: 973 17732888 Fax: 973 17737379
		<b>Kuwait</b>	Al Omar Technical Co. P.O. Box 4062, Safat 13041, Kuwait	alexotc@usa.net
	Fawaz Al Zayani Establishment P.O. Box 42426, Shop No.18, Al Hurnaizi Commercial Complex, Khalifa Al Jassim, Shuwaikh		dewaltkuwait@hotmail.com	Tel: 965 24828710 Fax: 965 24828716
Fawaz Al Zayani Establishment Fahaheel Industrial Area, Main St., Sanaya	dewaltkuwait@hotmail.com		Tel: 965 23925830 Fax: 965 24828716	
<b>Oman</b>	Al Jizzi Company LLC P.O. Box 1704, P.C. 112, Ruwi	aljizied@omantel.net.om jizzi10@omantel.net.om	Tel: 968 24832618 / 24835153 Fax: 968 24831334 / 24836460	
	Al Hassan Technical & Construction Supplies Co. LLC P.O. Box 1948, P.C. 112, Ruwi	hamriya.sr@al-hassan.com abrar.h@al-hassan.com	Tel: 968 24810575 / 24837054 Fax: 968 24810287 / 24833080	
	Oman Hardware Co. LLC P.O. Box 635, Ruwi Postal Code 112	omanhard@omantel.net.om	Tel: 968 24815131 Fax: 968 24816491	
	Khimji Ramdas P.O. Box 19, Post Code 100, Ghala, Muscat	bilal.m@khimjiramdas.com	Tel: 968 24595906/ 907 Fax: 968 24852752	
	<b>Qatar</b>	Teyseer Industrial Supplies & Services Co. WLL 55, Al Wakalat St. (Between St. 18 & 19) Salwa Industrial Area, P.O. Box 40523 Doha	manish@tissco-qatar.com tool.service@tissco-qatar.com	Tel: 974 4581536 Fax: 974 4682024
Shaheen Electrical Works & Trading Co. WLL Gate 34, St. 44 Industrial Area P.O. Box 9756, Doha		shaheenelc@gmail.com	Tel: 974 460 02 30 / 460 05 25 Fax: 974 460 13 38	
<b>KSA</b>		Industrial Material Organization (IMO) P.O. Box 623, Rail Street, Riyadh	service@imo.com.sa	Tel: 966-1 4028010 Ext. 26 Tel: 966-1 8001245757 Fax: 966-1 4037970
	Fawaz Ebrahim Al Zayani Trading Est. P.O. Box 76026, Al Raka : 31952	dewaltdammam@hotmail.com	Tel: 966-3 8140914 Fax: 966-3 8140824	
	MSS (Al-Mojil Supply & Services) P.O. Box 450, Jubail 31951	mssjubail@almojilservices.com alex.chang@almojilservices.com	Tel: 966-3 3612850 / 3624487 Tel: 966-3 3621729 Fax: 966-3 3623589 / 3620783	
	Opp-Gulf Bridge Library & Riyadh House			
	EAC (Al Yousef Contg. & Trdg. Est.) P.O. Box 30377, Jeddah -21477	golamkibria77@yahoo.com	Tel: 966-2 6519912 Fax: 966-2 6511153	
	Mohamed Ahmed Bin Aff Est. P.O. Box 530, Yanbu, Al Bahr	binaffyanbu@hotmail.com	Tel: 966-4 3222626 / 3228867 Fax: 966-4 3222210	
	Garziz Trading for Bldg Mat & Decoration P.O. Box 3364, Madina	agarziz@yahoo.com	Tel: 966-4 826 14 90 / 822 76 36 Fax: 966-4 826 57 41	
	Sultan Garment Factory (RSC) P.O. Box 29912, Riyadh 11467	rscservice@digl.net.sa	Tel: 966-1 4055148 / 4042889 Fax: 966-1 4055148	
	Al Bawardi Tools & Hardware P.O. Box 112, Dammam 31411	asattar@albawardi.com nibanez@albawardi.com	Tel: 966-3 8330780 Ext. 24 Tel: 966-3 8348585 Ext. 24 Fax: 966-3 8336303	
	Al Bawardi Tools & Hardware P.O. Box 68, Riyadh 11411	rbaltao@albawardi.com asamad@albawardi.com	Tel: 966-1 4484999 Fax: 966-3 4487877	
	Al Bawardi Tools & Hardware P.O. Box 16905, Jeddah 21474	sharadji@albawardi.com fgaber@albawardi.com	Tel: 966-2 6444547 / 6439035 Tel: 966-2 6456095 Fax: 966-2 6439024	