

If you have questions or comments, contact us.
Pour toute question ou tout commentaire, nous contacter.
Si tiene dudas o comentarios, contáctenos.

1-800-4-DEWALT • www.dewalt.com

INSTRUCTION MANUAL
GUIDE D'UTILISATION
MANUAL DE INSTRUCCIONES

DEWALT®

D25721 1-7/8" (48 mm) SDS Max® Hammer; D25762 2" (52 mm) SDS Max® Hammer; D25871, D25891
Chipping Hammer
Marteau SDS Max® D25721 48 mm (1 7/8 po); Marteau SDS Max® D25762 52 mm (2 po); Marteau
burineur D25871, D25891
Martillo SDS Max® de 48 mm (1-7/8") D25721; Martillo SDS Max® de 52 mm (2") D25762; Martillos
cincelador D25871, D25891

DEWALT Industrial Tool Co., 701 East Joppa Road, Baltimore, MD 21286

(AUG13) Part No. N330561 D25721, D25762, D25871, D25891 Copyright © 2010, 2013 DEWALT

The following are trademarks for one or more DEWALT power tools: the yellow and black color scheme, the "D" shaped air intake grill, the array of pyramids on the handgrip, the kit box configuration, and the array of lozenge-shaped humps on the surface of the tool.

Definitions: Safety Guidelines

The definitions below describe the level of severity for each signal word. Please read the manual and pay attention to these symbols.

▲ DANGER: Indicates an imminently hazardous situation which, if not avoided, **will** result in death or serious injury.

▲ WARNING: Indicates a potentially hazardous situation which, if not avoided, **could** result in death or serious injury.

▲ CAUTION: Indicates a potentially hazardous situation which, if not avoided, **may** result in minor or moderate injury.

NOTICE: indicates a practice **not related to personal injury** which, if not avoided, **may** result in **property damage**.

IF YOU HAVE ANY QUESTIONS OR COMMENTS ABOUT THIS OR ANY DEWALT TOOL, CALL US TOLL FREE AT: 1-800-4-DEWALT (1-800-433-9258).



WARNING: To reduce the risk of injury, read the instruction manual.

General Power Tool Safety Warnings



WARNING! Read all safety warnings and all instructions. Failure to follow the warnings and instructions may result in electric shock, fire and/or serious injury.

SAVE ALL WARNINGS AND INSTRUCTIONS FOR FUTURE REFERENCE

The term "power tool" in the warnings refers to your mains-operated (corded) power tool or battery-operated (cordless) power tool.

1) WORK AREA SAFETY

- Keep work area clean and well lit.** Cluttered or dark areas invite accidents.
- Do not operate power tools in explosive atmospheres, such as in the presence of flammable liquids, gases or dust.** Power tools create sparks which may ignite the dust or fumes.
- Keep children and bystanders away while operating a power tool.** Distractions can cause you to lose control.

2) ELECTRICAL SAFETY

- Power tool plugs must match the outlet. Never modify the plug in any way. Do not use any adapter plugs with earthed (grounded) power tools.** Unmodified plugs and matching outlets will reduce risk of electric shock.
- Avoid body contact with earthed or grounded surfaces such as pipes, radiators, ranges and refrigerators.** There is an increased risk of electric shock if your body is earthed or grounded.
- Do not expose power tools to rain or wet conditions.** Water entering a power tool will increase the risk of electric shock.
- Do not abuse the cord. Never use the cord for carrying, pulling or unplugging the power tool. Keep cord away from heat, oil, sharp edges or moving parts.** Damaged or entangled cords increase the risk of electric shock.
- When operating a power tool outdoors, use an extension cord suitable for outdoor use.** Use of a cord suitable for outdoor use reduces the risk of electric shock.
- If operating a power tool in a damp location is unavoidable, use a ground fault circuit interrupter (GFCI) protected supply.** Use of a GFCI reduces the risk of electric shock.

3) PERSONAL SAFETY

- Stay alert, watch what you are doing and use common sense when operating a power tool. Do not use a power tool while you are tired or under the influence of drugs, alcohol or medication.** A moment of inattention while operating power tools may result in serious personal injury.
- Use personal protective equipment. Always wear eye protection.** Protective equipment such as dust mask, non-skid safety shoes, hard hat, or hearing protection used for appropriate conditions will reduce personal injuries.
- Prevent unintentional starting. Ensure the switch is in the off position before connecting to power source and/or battery pack, picking up or carrying the tool.** Carrying power tools with your finger on the switch or energising power tools that have the switch on invites accidents.
- Remove any adjusting key or wrench before turning the power tool on.** A wrench or a key left attached to a rotating part of the power tool may result in personal injury.
- Do not overreach. Keep proper footing and balance at all times.** This enables better control of the power tool in unexpected situations.
- Dress properly. Do not wear loose clothing or jewellery. Keep your hair, clothing and gloves away from moving parts.** Loose clothes, jewellery or long hair can be caught in moving parts.
- If devices are provided for the connection of dust extraction and collection facilities, ensure these are connected and properly used.** Use of dust collection can reduce dust-related hazards.

4) POWER TOOL USE AND CARE

- Do not force the power tool. Use the correct power tool for your application.** The correct power tool will do the job better and safer at the rate for which it was designed.
- Do not use the power tool if the switch does not turn it on and off.** Any power tool that cannot be controlled with the switch is dangerous and must be repaired.
- Disconnect the plug from the power source and/or the battery pack from the power tool before making any adjustments, changing accessories, or storing power tools.** Such preventive safety measures reduce the risk of starting the power tool accidentally.
- Store idle power tools out of the reach of children and do not allow persons unfamiliar with the power tool or these instructions to operate the power tool.** Power tools are dangerous in the hands of untrained users.
- Maintain power tools. Check for misalignment or binding of moving parts, breakage of parts and any other condition that may affect the power tool's operation. If damaged, have the power tool repaired before use.** Many accidents are caused by poorly maintained power tools.

f) **Keep cutting tools sharp and clean.** Properly maintained cutting tools with sharp cutting edges are less likely to bind and are easier to control.

g) **Use the power tool, accessories and tool bits etc., in accordance with these instructions taking into account the working conditions and the work to be performed.** Use of the power tool for operations different from those intended could result in a hazardous situation.

5) SERVICE

- Have your power tool serviced by a qualified repair person using only identical replacement parts.** This will ensure that the safety of the power tool is maintained.

Additional Safety Instructions for Rotary Hammers

- Wear ear protectors.** Exposure to noise can cause hearing loss.
- Use auxiliary handle(s), if supplied with the tool.** Loss of control can cause personal injury.
- Hold power tool by insulated gripping surfaces when performing an operation where the cutting accessory may contact hidden wiring or its own cord.** Cutting accessory contacting a "live" wire may make exposed metal parts of the power tool "live" and could give the operator an electric shock.
- Use clamps or other practical way to secure and support the workpiece to a stable platform.** Holding the work by hand or against your body is unstable and may lead to loss of control.
- Wear safety goggles or other eye protection.** Hammering operations cause chips to fly. Flying particles can cause permanent eye damage. Wear a dust mask or respirator for applications that generate dust. Ear protection may be required for most applications.
- Keep a firm grip on the tool at all times.** Do not attempt to operate this tool without holding it with both hands. It is recommended that the side handle be used at all times. Operating this tool with one hand will result in loss of control. Breaking through or encountering hard materials such as re-bar may be hazardous as well. Tighten the side handle securely before use.
- Do not operate this tool for long periods of time.** Vibration caused by hammer action may be harmful to your hands and arms. Use gloves to provide extra cushion and limit exposure by taking frequent rest periods.
- Do not recondition bits yourself.** Chisel reconditioning should be done by an authorized specialist. Improperly reconditioned chisels could cause injury.
- Wear gloves when operating tool or changing bits.** Accessible metal parts on the tool and bits may get extremely hot during operation. Small bits of broken material may damage bare hands.
- Never lay the tool down until the bit has come to a complete stop.** Moving bits could cause injury.
- Do not strike jammed bits with a hammer to dislodge them.** Fragments of metal or material chips could dislodge and cause injury.
- Keep the power cord away from the rotating bit.** Do not wrap the cord around any part of your body. An electric cord wrapped around a spinning bit may cause personal injury and loss of control.
- Air vents often cover moving parts and should be avoided.** Loose clothes, jewellery or long hair can be caught in moving parts.
- An extension cord must have adequate wire size (AWG or American Wire Gauge) for safety.** The smaller the gauge number of the wire, the greater the capacity of the cable, that is 16 gauge has more capacity than 18 gauge. An undersized cord will cause a drop in line voltage resulting in loss of power and overheating. When using more than one extension to make up the total length, be sure each individual extension contains at least the minimum wire size. The following table shows the correct size to use depending on cord length and nameplate ampere rating. If in doubt, use the next heavier gauge. The smaller the gauge number, the heavier the cord.

Ampere Rating		Minimum Gauge for Cord Sets				
		Volts	Total Length of Cord in Feet (meters)			
More Than	Not More Than	120V	25 (7.6)	50 (15.2)	100 (30.5)	150 (45.7)
		240V	50 (15.2)	100 (30.5)	200 (61.0)	300 (91.4)
		AWG				
0	6		18	16	16	14
6	10		18	16	14	12
10	12		16	16	14	12
12	16		14	12	Not Recommended	

▲ WARNING: ALWAYS use safety glasses. Everyday eyeglasses are NOT safety glasses. Also use face or dust mask if cutting operation is dusty. ALWAYS WEAR CERTIFIED SAFETY EQUIPMENT:

- ANSI Z87.1 eye protection (CAN/CSA Z94.3),
- ANSI S12.6 (S3.19) hearing protection,
- NIOSH/OSHA/MSHA respiratory protection.

▲ WARNING: Some dust created by power sanding, sawing, grinding, drilling, and other construction activities contains chemicals known to the State of California to cause cancer, birth defects or other reproductive harm. Some examples of these chemicals are:

- lead from lead-based paints,
- crystalline silica from bricks and cement and other masonry products, and
- arsenic and chromium from chemically-treated lumber.

Your risk from these exposures varies, depending on how often you do this type of work. To reduce your exposure to these chemicals: work in a well ventilated area, and work with approved safety equipment, such as those dust masks that are specially designed to filter out microscopic particles.

▲ Avoid prolonged contact with dust from power sanding, sawing, grinding, drilling, and other construction activities. Wear protective clothing and wash exposed areas with soap and water. Allowing dust to get into your mouth, eyes, or lay on the skin may promote absorption of harmful chemicals.

▲ WARNING: Use of this tool can generate and/or disperse dust, which may cause serious and permanent respiratory or other injury. Always use NIOSH/OSHA approved respiratory protection appropriate for the dust exposure. Direct particles away from face and body.

▲ WARNING: Always wear proper personal hearing protection that conforms to ANSI S12.6 (S3.19) during use. Under some conditions and duration of use, noise from this product may contribute to hearing loss.

- The label on your tool may include the following symbols. The symbols and their definitions are as follows:

V.....volts	A.....amperes
Hz.....hertz	W.....watts
minminutes	~ or AC.....alternating current
== or DC.....direct current	⎓ or AC/DC.....alternating or direct current
Ⓛ.....Class I Construction (grounded)	no.....no load speed
Ⓜ.....Class II Construction (double insulated)	n.....rated speed
.../minper minute	Ⓧ.....earthing terminal
IPM.....impacts per minute	▲.....safety alert symbol
SPMstrokes per minute	BPM.....beats per minute
	RPMrevolutions per minute
	sfpm.....surface feet per minute

Motor

Your DEWALT tool is powered by a DEWALT-built motor. Be sure your power supply agrees with the nameplate markings. Voltage decrease of more than 10% will cause loss of power and overheating. All DEWALT tools are factory tested.

COMPONENTS (Fig. 1-6)

▲ WARNING: Never modify the power tool or any part of it. Damage or personal injury could result.

A. Trigger switch (D25721, D25762)	L. Collar
On/off rocker switch (D25871, D25891)	M. Tool holder
B. Lock-on slider (D25721, D25762)	N. Bushing
C. Side handle	O. Pin
D. Main handle	P. Locking sleeve
E. SHOCKS Active Vibration Control®	Q. Side handle knob
F. Mode selector	R. Clutch setting 1 (40 Nm)
G. Electronic speed and impact control dial	S. Clutch setting 2 (80 Nm)
H. Clamp wheel	T. Yellow brush wear indicator LED
I. Rear side handle position	U. Red indicator LED
J. Side handle clamp	V. Torque control lever
K. Steel ring	W. Side handle mounting area

INTENDED USE

These heavy-duty rotary hammers have been designed for professional hammerdrilling and chipping at various work sites (i.e., construction sites). **DO NOT** use under wet conditions or in presence of flammable liquids or gases.

These heavy-duty rotary hammers are professional power tools. **DO NOT** let children come into contact with the tool. Supervision is required when inexperienced operators use this tool.

ASSEMBLY AND ADJUSTMENTS

▲ WARNING: To reduce the risk of injury, turn unit off and disconnect it from power source before installing and removing accessories, before adjusting or when making repairs. An accidental start-up can cause injury.

Perform and Protect Control (Fig. 1)

D25762 ONLY

These hammers are equipped with both 2-stage clutch. These features sense the motion of the tool and reduce the motor torque to a manageable level if necessary. The red indicator LED (U) will illuminate to indicate status.

INDICATOR	DIAGNOSIS	SOLUTION
OFF	Tool is functioning normally	Follow all warnings and instructions when operating tool
SOLID	Perform and protect control has been activated	With tool properly supported, release trigger; The tool will function normally when the trigger is depressed again and the indicator light will go out
FLASHING	Perform and protect control is malfunctioning	Take the tool to an authorized DEWALT repair agent.

NOTE: If the tool power is insufficient for normal hammering and the LED does not flash, take the tool to an authorized DEWALT repair center.

FIG. 1

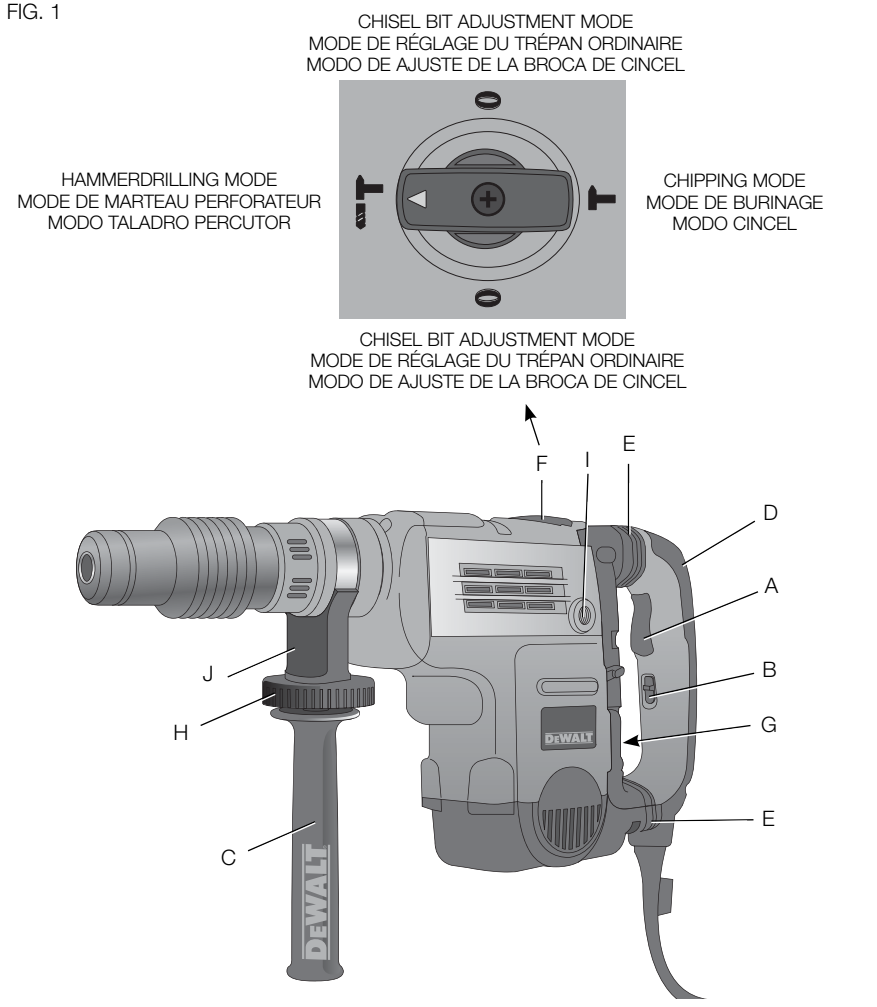


FIG. 2

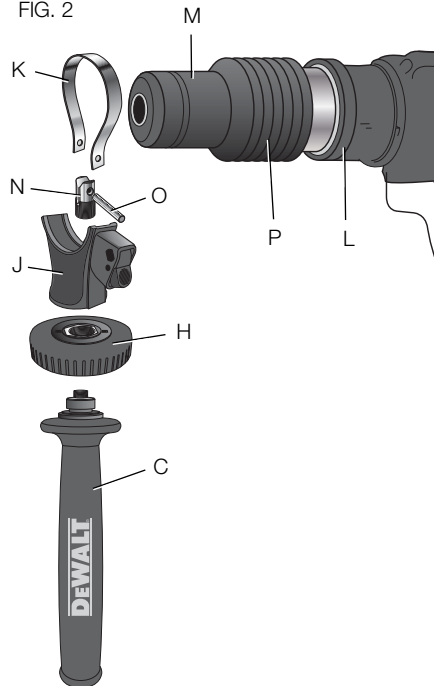


FIG. 3

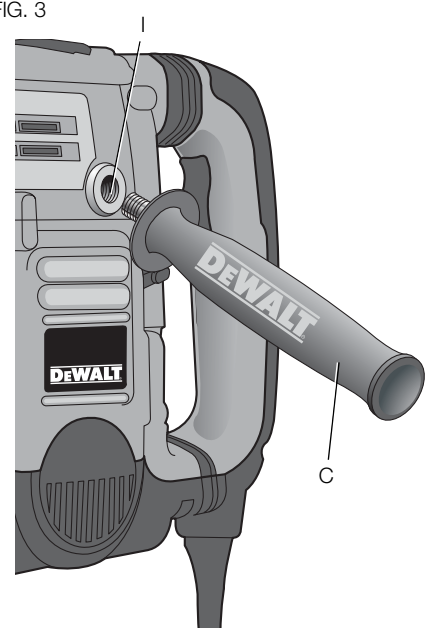


FIG. 4

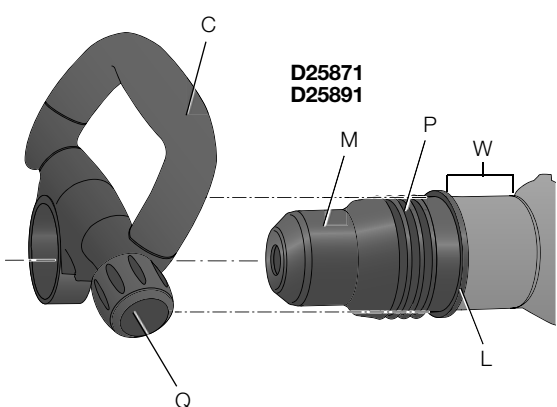


FIG. 5

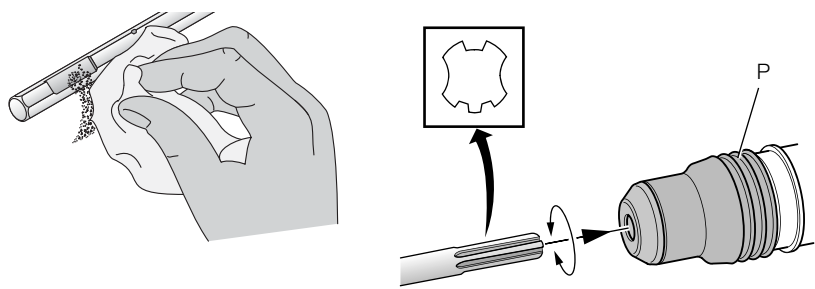


FIG. 6

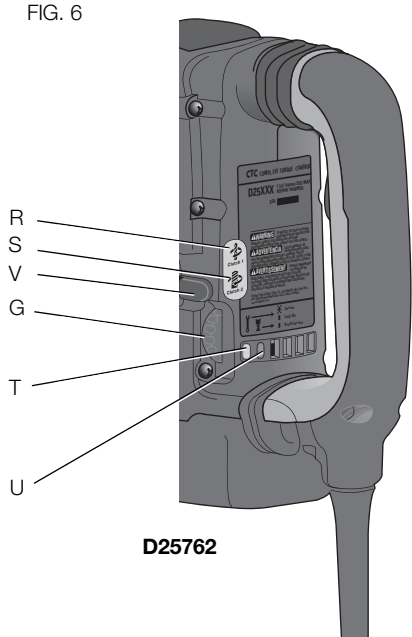
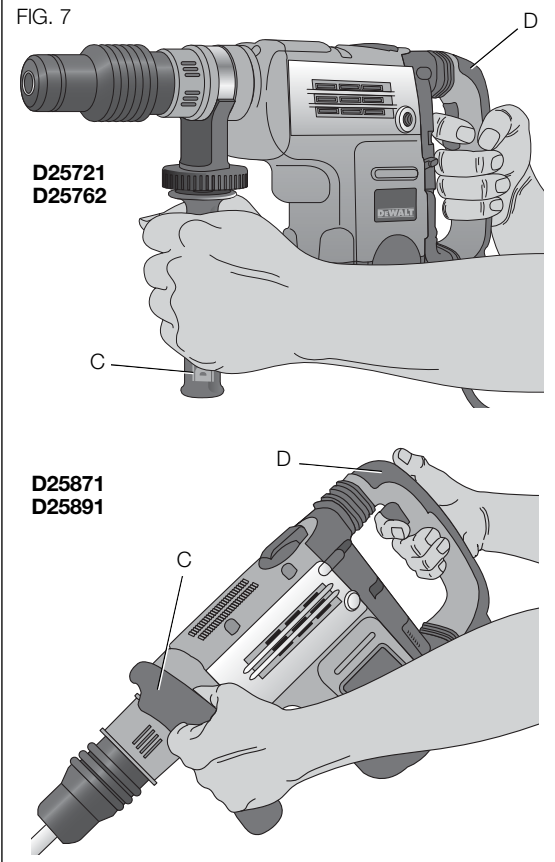


FIG. 7



Side Handle (Fig. 2–4)

D25721, D25762

▲ WARNING: To reduce the risk of personal injury, ALWAYS operate the tool with the side handle properly installed and securely tightened. Failure to do so may result in the side handle slipping during tool operation and subsequent loss of control. Hold tool with both hands to maximize control. The side handle clamps to the front barrel (collar) and may be rotated 360° to permit right- or left-hand use. For operating convenience, the side handle can be installed in front or rear positions.

TO MOUNT IN FRONT POSITION (FIG. 2)

1. Unscrew the side handle (C) and clamp wheel (H). Remove the side handle clamp (J) which will allow disassembly of the remaining parts.
2. Snap the steel ring (K) over the collar (L) behind the tool holder (M). Squeeze both ends of the steel ring together. Mount the bushing (N) and insert the pin (O).
3. Slide the side handle clamp (J) onto the bushing (N) while keeping the pin (O) centered. Lightly screw the clamp wheel (H) onto the bushing (N)—do not tighten.
4. Screw the side handle (C) into the clamp wheel (H) and tighten.
5. Rotate the side handle mounting assembly to the desired position. For hammerdrilling horizontally with a heavy drill bit, place the side handle assembly at an angle of approximately 20° to the tool for optimum control.
6. Lock the side handle mounting assembly in place by securely tightening the clamp wheel (H) so that the assembly will not rotate.

TO MOUNT IN REAR POSITION (FIG. 3)

1. Unscrew the side handle (C) and remove it from the side handle mounting assembly. Leave the side handle mounting assembly in the front position.
2. Securely screw the side handle directly into one of the rear side handle positions (I) on either side of the tool.

D25871, D25891 (FIG. 4)

1. Unscrew the side handle knob (Q).

2. Slide the side handle assembly over the tool holder (M) and onto the collar (L) in the mounting area (W). The correct position of the side handle is between head and middle of the tube.
3. Adjust the side handle (C) to the desired angle.
4. Slide and rotate the side handle to the desired position.
5. Lock the side handle in place by securely tightening the knob (Q) so that the side handle assembly will not rotate.

SHOCKS Active Vibration Control® System (Fig. 1)

For best vibration control, hold the tool with one hand on the main handle (D) and the other hand on the side handle (C). Apply just enough pressure so the hammer is approximately mid-stroke. The hammer only needs enough pressure to engage the SHOCKS Active Vibration Control® system. Applying too much pressure will not make the tool drill or chip faster and the SHOCKS Active Vibration Control® system will not engage.

Inserting and Removing SDS Max® Accessories (Fig. 5)

▲ WARNING: To reduce the risk of serious personal injury, turn tool off and disconnect tool from power source before making any adjustments or removing/installing attachments or accessories.

1. Pull back the locking sleeve (P) and insert the bit shank. The bit shank must be clean and slightly lubricated.
 2. Turn the bit slightly until the sleeve snaps back into position.
 3. Ensure the bit is properly engaged.
- NOTE:** The bit needs to move several centimeters in and out of the tool holder (M) when properly engaged.
4. To remove the bit, pull back the locking sleeve and pull the bit out.

Two-Stage Clutch (Fig. 6)

NOTICE: Always turn the tool off before changing torque control settings or damage to tool may result.

TWO-STAGE CLUTCH (D25762 ONLY)

Clutch Setting 1 (R) is designed for most hammerdrilling applications and is designed to easily clutch out when the drill bit encounters re-bar or other foreign substances. Clutch Setting 2 (S) is designed for higher torque applications such as core-bits and deep hole hammerdrilling and is designed to clutch out at a higher torque threshold. Move the torque control lever (V) to setting 1 or 2 as needed for application.

NOTE: Allow the motor housing to rotate a little while changing torque. Each time the tool is plugged in, it will automatically default to clutch setting 1, the most sensitive setting.

Electronic Speed and Impact Control (Fig. 6)

The electronic speed and impact control allows the use of smaller drill bits without the risk of bit breakage, hammerdrilling into light and brittle materials without shattering and optimal tool control for precise chiseling.

To set the control dial, turn the dial (G) to the desired level. The higher the number, the greater the speed and impact energy. Dial settings make the tool extremely flexible and adaptable for many different applications. The required setting depends on the bit size and hardness of material being drilled.

Mode Selector (Fig. 1)

▲ CAUTION: Never change the mode while the unit is running.

▲ CAUTION: Do not change to hammerdrill mode with chisel bit in tool holder. Personal injury and damage to tool may result.

To select the required operating mode, rotate the mode selector (F) until the arrow points to the hammerdrilling or the chipping icon.

HAMMERDRILLING MODE (T)

D25721, D25762

The tool simultaneously rotates and impacts the work. This mode is appropriate for all concrete and masonry operations.

CHIPPING MODE (I)

The spindle lock is engaged during chipping mode so the tool impacts the work without rotating. This mode is appropriate for light chipping, chiseling and demolition applications.

NOTE: In chipping mode, the hammerdrill can also be used as a lever to free a jammed drill bit.

CHISEL BIT ADJUSTMENT (O)

Turn the mode selector to one of the chisel bit adjustment icons to adjust the chisel to the desired position. There are 24 possible positions to set the angle of the chisel. After finding the desired position, slightly maneuver the chisel bit back and forth to ensure the chisel is properly engaged.

Indicator Lights (Fig. 6)

The yellow brush wear indicator LED (T) lights up when the carbon brushes are nearly worn out indicating that the tool needs servicing within the next 8 hours of use.

The red indicator LED (U) lights up if the lock-on slider (B) and/or electronic clutch is engaged in any mode except the chipping mode.

The red indicator LED (U) starts to flash if there is a fault with the tool or the brushes have completely worn out (refer to **Repairs** under **Maintenance**).

OPERATION

▲ WARNING: To reduce the risk of injury, turn unit off and disconnect it from power source before installing and removing accessories, before adjusting or when making repairs. An accidental start-up can cause injury.

▲ WARNING: To reduce the risk of personal injury, ALWAYS ensure workpiece is anchored or clamped firmly. If hammerdrilling thin material, use a wood "back-up" block to prevent damage to the material.

▲ WARNING: To reduce the risk of personal injury, ALWAYS operate the tool with the side handle properly installed and securely tightened. Failure to do so may result in the side handle slipping during tool operation and subsequent loss of control. Hold tool with both hands to maximize control.

Proper Hand Position (Fig. 7)

▲ WARNING: To reduce the risk of serious personal injury, ALWAYS use proper hand position as shown in Figure 7.

▲ WARNING: To reduce the risk of serious personal injury, ALWAYS hold securely in anticipation of a sudden reaction.

NOTE: Operating temperature of this tool is 19° to 104° F (-7 to +40° C). Using the tool outside of this temperature range will decrease the life of the tool.

Proper hand position requires one hand on the side handle (C), with the other hand on the main handle (D).

Trigger Switch (Fig. 1)

To turn the tool on, depress the trigger switch (A). To stop the tool, release the trigger switch. To lock the trigger switch on in the chipping mode only, push the lock-on slider (B) upwards while depressing the trigger switch.

To deactivate the lock-on slider, depress the trigger switch once then release.

The lock-on slider may only be activated in chisel mode. The machine will stop running when trying to engage the lock-on slider in drill mode. The motor will stop if the lock-on slider is activated when changing from chisel mode into drill mode.

SOFT START FEATURE

The soft start feature allows you to build up speed slowly, thus preventing the drill bit from walking off the intended hole position when starting. The soft start feature also reduces the immediate torque reaction transmitted to the gearing and the operator if the hammer is started with the drill bit in an existing hole.

Hammerdrilling with a Solid Bit (Fig. 1, 6)

(D25721, D25762)

1. Set the mode selector (F) to hammerdrilling mode.
2. Move the torque control lever (V) to Setting 1 (R).
3. Set the speed and impact control dial (G) to a slow speed position.
4. Insert the appropriate drill bit.
5. Adjust the side handle (front or rear position).
6. Mark the spot where the hole is to be drilled.
7. Place the drill bit on that mark and depress the trigger switch.
8. Apply only enough pressure to engage active vibration control (refer to **Active Vibration Control**).
9. To stop the tool, release the trigger switch. Always turn the tool off when work is finished and before unplugging.

Hammerdrilling with a Core Bit (Fig. 1, 6)

(D25721, D25762)

▲ CAUTION: Do not use a core bit for hammerdrilling wood. Personal injury and damage to tool may result.

1. Set the mode selector (F) to hammerdrilling mode.
 2. Move the torque control lever (V) to Setting 2 (S).
 3. Turn the speed and impact control dial (G) to a slow speed position.
 4. Adjust the side handle (front or rear position).
 5. Assemble the centering bit and adapter shank into the core bit and insert into tool.
 6. Mark the spot where the hole is to be drilled.
 7. Place the centering bit on that mark and depress the trigger switch.
- NOTE:** Some core drills require the removal of centering bit after about 1 cm of penetration. If so, remove and continue hammerdrilling.
8. When hammerdrilling through a structure thicker than the depth of the core bit, break away the round cylinder of concrete or core inside the bit at regular intervals. To avoid unwanted breaking away of concrete around the hole, first drill a hole the diameter of the centering bit completely through the structure. Then drill the cored hole halfway from each side of the structure.
 9. To stop the tool, release the trigger switch. Always turn the tool off when work is finished and before unplugging.

Chipping and Chiseling

1. Set the mode selector to chipping mode.
 2. Set the impact control dial to desired setting (refer to **Electronic Speed and Impact Control**).
 3. Insert the appropriate chisel and rotate it by hand to lock it into the desired position.
- NOTE:** For SDS Max® models, only use SDS Max® insert tools.
4. Adjust the side handle (front or rear position).
 5. Depress the trigger switch.
 6. Apply only enough pressure to engage active vibration control (refer to **Active Vibration Control**).
 7. To stop the tool, release the trigger switch. Always turn the tool off when work is finished and before unplugging.

Hammerdrilling (Fig. 1)

▲ WARNING: To reduce the risk of personal injury, ALWAYS ensure workpiece is anchored or clamped firmly. If hammerdrilling thin material, use a wood “back-up” block to prevent damage to the material.

Set the mode selector (F) to hammerdrilling mode.

HAMMERDRILL OPERATION

- When hammerdrilling, use just enough force on the hammer to keep it from bouncing excessively or “rising” off the bit. Too much force will cause slower hammerdrilling speeds and overheating.
- Drill straight, keeping the bit at a right angle to the work. Do not exert side pressure on the bit when hammerdrilling as this will cause clogging of the bit flutes and a slower hammerdrilling speed.
- When hammerdrilling deep holes, if the hammer speed starts to drop off, pull the bit partially out of the hole with the tool still running to help clear debris from the hole.
- For masonry, use carbide-tipped bits or masonry bits. A smooth even flow of dust indicates the proper hammerdrilling rate.

MAINTENANCE

▲ WARNING: To reduce the risk of injury, turn unit off and disconnect it from power source before installing and removing accessories, before adjusting or when making repairs. An accidental start-up can cause injury.

Motor Brushes

DEWALT uses an advanced brush system which automatically stops the drill when the brushes wear out. This prevents serious damage to the motor. New brush assemblies are available at authorized DEWALT service centers. Always use identical replacement parts.

Cleaning

▲ WARNING: Blow dirt and dust out of all air vents with clean, dry air at least once a week. To minimize the risk of eye injury, always wear ANSI Z87.1 approved eye protection when performing this.

▲ WARNING: Never use solvents or other harsh chemicals for cleaning the non-metallic parts of the tool. These chemicals may weaken the plastic materials used in these parts. Use a cloth dampened only with water and mild soap. Never let any liquid get inside the tool; never immerse any part of the tool into a liquid.

Lubrication

Your tool was properly lubricated before leaving the factory. In two to six months, depending upon use, take or send your tool to an authorized service center for a complete cleaning, inspection and lubrication. Tools used constantly on production jobs will need relubrication more often. Also, tools “out of service” for long periods should be relubricated before being put back to work.

Accessories

▲ WARNING: Since accessories, other than those offered by DEWALT, have not been tested with this product, use of such accessories with this tool could be hazardous. To reduce the risk of injury, only DEWALT recommended accessories should be used with this product.

Recommended accessories for use with your tool are available at extra cost from your local dealer or authorized service center. If you need assistance in locating any accessory, please contact DEWALT Industrial Tool Co., 701 East Joppa Road, Baltimore, MD 21286, call 1-800-4-DEWALT (1-800-433-9258) or visit our website: www.dewalt.com.

	MAXIMUM CAPACITY	
	D25721	D25762
Concrete	1-7/8" (48 mm)	2" (52 mm)
RPM	137-275	125-250
No load BPM	1260-2520	1150-2300

Repairs

To assure product SAFETY and RELIABILITY, repairs, maintenance and adjustment (including brush inspection and replacement) should be performed by a DEWALT factory service center, a DEWALT authorized service center or other qualified service personnel. Always use identical replacement parts.

Register Online

Thank you for your purchase. Register your product now for:

- WARRANTY SERVICE:** Registering your product will help you obtain more efficient warranty service in case there is a problem with your product.
- CONFIRMATION OF OWNERSHIP:** In case of an insurance loss, such as fire, flood or theft, your registration of ownership will serve as your proof of purchase.
- FOR YOUR SAFETY:** Registering your product will allow us to contact you in the unlikely event a safety notification is required under the Federal Consumer Safety Act.

Register online at www.dewalt.com/register.

Three Year Limited Warranty

DEWALT will repair, without charge, any defects due to faulty materials or workmanship for three years from the date of purchase. This warranty does not cover part failure due to normal wear or tool abuse. For further detail of warranty coverage and warranty repair information, visit www.dewalt.com or call 1-800-4-DEWALT (1-800-433-9258). This warranty does not apply to accessories or damage caused where repairs have been made or attempted by others. This warranty gives you specific legal rights and you may have other rights which vary in certain states or provinces.

In addition to the warranty, DEWALT tools are covered by our:

1 YEAR FREE SERVICE

DEWALT will maintain the tool and replace worn parts caused by normal use, for free, any time during the first year after purchase.

90 DAY MONEY BACK GUARANTEE

If you are not completely satisfied with the performance of your DEWALT Power Tool, Laser, or Nailer for any reason, you can return it within 90 days from the date of purchase with a receipt for a full refund – no questions asked.

LATIN AMERICA: This warranty does not apply to products sold in Latin America. For products sold in Latin America, see country specific warranty information contained in the packaging, call the local company or see website for warranty information.

FREE WARNING LABEL REPLACEMENT: If your warning labels become illegible or are missing, call 1-800-4-DEWALT (1-800-433-9258) for a free replacement.

CTC COMPLETE TORQUE CONTROL	DXXXXX
DXXXXX 2" (52mm) SDS MAX ROTARY HAMMER	SER. XXXXXXXXXX
SER. XXXXXXXXXX	
Clutch 1	▲ ADVERTENCIA TO REDUCE THE RISK OF INJURY, USER MUST READ INSTRUCTION MANUAL. ALWAYS USE PROPER EYE, EAR AND RESPIRATORY PROTECTION. ALWAYS USE SIDE HANDLE.
Clutch 2	▲ ADVERTENCIA LEA EL MANUAL DE INSTRUCCIONES PARA UN FUNCIONAMIENTO SEGURO. SIEMPRE UTILICE PROTECCIÓN ADECUADA PARA LOS OJOS, OÍDOS Y VÍAS RESPIRATORIAS. SIEMPRE UTILICE EL MANGO LATERAL.
	▲ AVERTISSEMENT AFIN DE MINIMISER LES RISQUES DE BLESSURES, L'UTILISATEUR DOIT LIRE LE GUIDE D'UTILISATION. TOUJOURS UTILISER UNE PROTECTION OCULAIRE, AUDITIVE ET RESPIRATOIRE ADEQUATE. UTILISER LA POIGNEE LATÉRALE.
	DEWALT INDUSTRIAL TOOL CO., BALTIMORE, MD 21286 USA FOR SERVICE INFORMATION, CALL 1-800-4-DEWALT www.dewalt.com

DXXXXX	SER. XXXXXXXXXX
▲ ADVERTENCIA TO REDUCE THE RISK OF INJURY, USER MUST READ INSTRUCTION MANUAL. ALWAYS USE PROPER EYE, EAR AND RESPIRATORY PROTECTION. ALWAYS USE SIDE HANDLE.	LEA EL MANUAL DE INSTRUCCIONES PARA UN FUNCIONAMIENTO SEGURO. SIEMPRE UTILICE PROTECCIÓN ADECUADA PARA LOS OJOS, OÍDOS Y VÍAS RESPIRATORIAS. SIEMPRE UTILICE EL MANGO LATERAL.
▲ AVERTISSEMENT AFIN DE MINIMISER LES RISQUES DE BLESSURES, L'UTILISATEUR DOIT LIRE LE GUIDE D'UTILISATION. TOUJOURS UTILISER UNE PROTECTION OCULAIRE, AUDITIVE ET RESPIRATOIRE ADEQUATE. UTILISER LA POIGNEE LATÉRALE.	
	DEWALT INDUSTRIAL TOOL CO., BALTIMORE, MD 21286 USA FOR SERVICE INFORMATION, CALL 1-800-4-DEWALT www.dewalt.com

Définitions : lignes directrices en matière de sécurité

Les définitions ci-dessous décrivent le niveau de danger pour chaque mot-indicateur employé. Lire le mode d'emploi et porter une attention particulière à ces symboles.

▲ DANGER : indique une situation dangereuse imminente qui, si elle n'est pas évitée, entraînera la mort ou des blessures graves.

▲ AVERTISSEMENT : indique une situation potentiellement dangereuse qui, si elle n'est pas évitée, pourrait entraîner la mort ou des blessures graves.

▲ ATTENTION : indique une situation potentiellement dangereuse qui, si elle n'est pas évitée, pourrait entraîner des blessures légères ou modérées.

AVIS : indique une pratique ne posant aucun risque de dommages corporels mais qui par contre, si rien n'est fait pour l'éviter, pourrait poser des risques de dommages matériels.

POUR TOUTE QUESTION OU REMARQUE AU SUJET DE CET OUTIL OU DE TOUT AUTRE OUTIL DEWALT, COMPOSEZ LE NUMÉRO SANS FRAIS : 1-800-4-DEWALT (1-800-433-9258).

▲ AVERTISSEMENT : afin de réduire le risque de blessures, lire le mode d'emploi de l'outil.

Avertissements de sécurité généraux pour les outils électriques

▲ AVERTISSEMENT ! Lire tous les avertissements de sécurité et toutes les directives.
Le non-respect des avertissements et des directives pourrait se solder par un choc électrique, un incendie et/ou une blessure grave.

CONSERVER TOUS LES AVERTISSEMENTS ET TOUTES LES DIRECTIVES POUR UN USAGE ULTÉRIEUR

Le terme « outil électrique » cité dans les avertissements se rapporte à votre outil électrique à alimentation sur secteur (avec fil) ou par piles (sans fil).

1) SÉCURITÉ DU LIEU DE TRAVAIL

- Tenir l'aire de travail propre et bien éclairée.** Les lieux encombrés ou sombres sont propices aux accidents.
- Ne pas faire fonctionner d'outils électriques dans un milieu déflagrant, tel qu'en présence de liquides, de gaz ou de poussières inflammables.** Les outils électriques produisent des étincelles qui pourraient enflammer la poussière ou les vapeurs.

c) **Éloigner les enfants et les personnes à proximité pendant l'utilisation d'un outil électrique.** Une distraction pourrait en faire perdre la maîtrise à l'utilisateur.

2) SÉCURITÉ EN MATIÈRE D'ÉLECTRICITÉ

- Les fiches des outils électriques doivent correspondre à la prise. Ne jamais modifier la fiche d'aucune façon. Ne jamais utiliser de fiche d'adaptation avec un outil électrique mis à la terre.** Le risque de choc électrique sera réduit par l'utilisation de fiches non modifiées correspondant à la prise.
- Éviter tout contact physique avec des surfaces mises à la terre comme des tuyaux, des radiateurs, des cuisinières et des réfrigérateurs.** Le risque de choc électrique est plus élevé si votre corps est mis à la terre.
- Ne pas exposer les outils électriques à la pluie ou à l'humidité.** La pénétration de l'eau dans un outil électrique augmente le risque de choc électrique.
- Ne pas utiliser le cordon de façon abusive. Ne jamais utiliser le cordon pour transporter, tirer ou débrancher un outil électrique. Tenir le cordon éloigné de la chaleur, de l'huile, des bords tranchants et des pièces mobiles.** Les cordons endommagés ou enchevêtrés augmentent les risques de choc électrique.
- Pour l'utilisation d'un outil électrique à l'extérieur, se servir d'une rallonge convenant à cette application.** L'utilisation d'une rallonge conçue pour l'extérieur réduira les risques de choc électrique.
- S'il est impossible d'éviter l'utilisation d'un outil électrique dans un endroit humide, brancher l'outil dans une prise ou sur un circuit d'alimentation dotés d'un disjoncteur de fuite à la terre (GFCI).** L'utilisation de ce type de disjoncteur réduit les risques de choc électrique.

3) SÉCURITÉ PERSONNELLE

- Être vigilant, surveiller le travail effectué et faire preuve de jugement lorsqu'un outil électrique est utilisé. Ne pas utiliser d'outil électrique en cas de fatigue ou sous l'influence de drogues, d'alcool ou de médicaments.** Un simple moment d'inattention en utilisant un outil électrique peut entraîner des blessures corporelles graves.
- Utiliser des équipements de protection individuelle. Toujours porter une protection oculaire.** L'utilisation d'équipements de protection comme un masque antipoussière, des chaussures antidérapantes, un casque de sécurité ou des protecteurs auditifs lorsque la situation le requiert réduira les risques de blessures corporelles.
- Empêcher les démarrages intempestifs. S'assurer que l'interrupteur se trouve à la position d'arrêt avant de relier l'outil à une source d'alimentation et/ou d'insérer un bloc-piles, de ramasser ou de transporter l'outil.** Transporter un outil électrique alors que le doigt repose sur l'interrupteur ou brancher un outil électrique dont l'interrupteur est à la position de marche risque de provoquer un accident.
- Retirer toute clé de réglage ou clé avant de démarrer l'outil.** Une clé ou une clé de réglage attachée à une partie pivotante de l'outil électrique peut provoquer des blessures corporelles.
- Ne pas trop tendre les bras. Conserver son équilibre en tout temps.** Cela permet de mieux maîtriser l'outil électrique dans les situations imprévues.
- S'habiller de manière appropriée. Ne pas porter de vêtements amples ni de bijoux. Garder les cheveux, les vêtements et les gants à l'écart des pièces mobiles.** Les vêtements amples, les bijoux ou les cheveux longs risquent de rester coincés dans les pièces mobiles.
- Si des composants sont fournis pour le raccordement de dispositifs de dépoussiérage et de ramassage, s'assurer que ceux-ci sont bien raccordés et utilisés.** L'utilisation d'un dispositif de dépoussiérage peut réduire les dangers engendrés par les poussières.

4) UTILISATION ET ENTRETIEN D'UN OUTIL ÉLECTRIQUE

- Ne pas forcer un outil électrique. Utiliser l'outil électrique approprié à l'application.** L'outil électrique approprié effectuera un meilleur travail, de façon plus sûre et à la vitesse pour laquelle il a été conçu.
- Ne pas utiliser un outil électrique dont l'interrupteur est défectueux.** Tout outil électrique dont l'interrupteur est défectueux est dangereux et doit être réparé.
- Débrancher la fiche de la source d'alimentation et/ou du bloc-piles de l'outil électrique avant de faire tout réglage ou changement d'accessoire ou avant de ranger l'outil.** Ces mesures préventives réduisent les risques de démarrage accidentel de l'outil électrique.
- Ranger les outils électriques hors de la portée des enfants et ne permettre à aucune personne n'étant pas familière avec un outil électrique ou son mode d'emploi d'utiliser cet outil.** Les outils électriques deviennent dangereux entre les mains d'utilisateurs inexpérimentés.
- Entretien des outils électriques. Vérifier si les pièces mobiles sont mal alignées ou coincées, si des pièces sont brisées ou présentent toute autre condition susceptible de nuire au bon fonctionnement de l'outil électrique. En cas de dommage, faire réparer l'outil électrique avant toute nouvelle utilisation.** Beaucoup d'accidents sont causés par des outils électriques mal entretenus.
- S'assurer que les outils de coupe sont aiguisés et propres.** Les outils de coupe bien entretenus et affûtés sont moins susceptibles de se coincer et sont plus faciles à maîtriser.
- Utiliser l'outil électrique, les accessoires, les forets, etc. conformément aux présentes directives en tenant compte des conditions de travail et du travail à effectuer.** L'utilisation d'un outil électrique pour toute opération autre que celle pour laquelle il a été conçu est dangereuse.

5) RÉPARATION

- Faire réparer l'outil électrique par un réparateur professionnel n'utilisant que des pièces de rechange identiques.** Cela permettra de maintenir une utilisation sécuritaire de l'outil électrique.

Consignes de sécurité additionnelles propres aux marteaux rotatifs

- Porter un dispositif de protection auditif.** Le bruit en résultant pourrait occasionner une perte de l'acuité auditive.
- Utiliser la/les poignée(s) auxiliaire(s) si fournie(s) avec l'outil.** Une perte de contrôle de l'outil pourrait occasionner des dommages corporels.
- Tenir l'outil électrique par les surfaces isolées prévues à cet effet pendant toute utilisation où l'organe de coupe pourrait entrer en contact avec des fils électriques cachés ou son propre cordon.** Tout contact de l'organe de coupe avec un fil sous tension mettra les parties métalliques exposées de l'outil électrique sous tension et électrocutera l'utilisateur.
- Utiliser des serre-joints, ou tout autre moyen, pour fixer et immobiliser le matériau sur une surface stable.** Tenir la pièce à la main ou contre son corps offre une stabilité insuffisante qui pourrait vous en faire perdre le contrôle.
- Porter des lunettes de protection ou toute autre protection oculaire.** Le martelage pourrait faire voltiger des éclats. Ces particules volantes pourraient occasionner des dommages oculaires permanents. Porter un masque anti-poussières ou un appareil de protection des voies respiratoires pour toute application productrice de poussières. Une protection auditive peut s'avérer nécessaire pour la plupart des applications.
- Maintenir systématiquement l'outil fermement. Ne pas tenter d'utiliser cet outil sans le maintenir à deux mains.** Il est recommandé d'utiliser systématiquement la poignée latérale. Le fait d'utiliser cet outil à une main pourra vous en faire perdre le contrôle. Traverser ou rencontrer des matériaux durs comme les armatures peut aussi s'avérer dangereux. Resserrer soigneusement la poignée latérale avant toute utilisation.
- Ne pas utiliser cet outil pendant des périodes de temps prolongées.** Les vibrations causées par la percussion peuvent poser des risques pour les mains ou les bras. Porter des gants pour amortir les vibrations, et pour limiter les risques, faire des pauses fréquentes.
- Ne pas remettre à neuf les forets soi-même.** La remise à neuf de tout burin doit être effectuée par un spécialiste agréé. Tout burin remis à neuf incorrectement pose des risques de dommages corporels.
- Porter des gants lors de l'utilisation de l'outil ou le changement de mèche.** Les parties métalliques accessibles de l'outil et des mèches/forets pourraient s'avérer brûlantes lors de l'utilisation. De petits débris de matériau pourraient aussi blesser les mains nues.
- Attendre systématiquement l'arrêt complet de la mèche/foret avant de déposer l'outil où ce soit.** Des forets/mèches en rotation posent des risques de dommages corporels.
- Ne pas donner des coups de marteau sur des forets/mèches coincés pour les déloger.** Des fragments de métal ou de matériau pourraient être éjectés et causer des dommages corporels.
- Maintenir le cordon d'alimentation à l'écart d'une mèche en rotation. Ne pas enrouler le cordon autour d'une partie quelconque de votre corps.** Un cordon électrique enroulé autour d'une mèche en rotation pose des risques de dommages corporels et de perdre le contrôle de l'outil.
- Prendre des précautions à proximité des événements, car ils cachent des pièces mobiles.** Vêtements amples, bijoux ou cheveux longs risquent de rester coincés dans ces pièces mobiles.
- Pour la sécurité de l'utilisateur, utiliser une rallonge de calibre adéquat (AWG, American Wire Gauge [calibrage américain normalisé des fils électriques]).** Plus le calibre est petit, et plus sa capacité est grande. Un calibre 16, par exemple, a une capacité supérieure à un calibre 18. L'usage d'une rallonge de calibre insuffisant causera une chute de tension qui entraînera perte de puissance et surchauffe. Si plus d'une rallonge est utilisée pour obtenir une certaine longueur, s'assurer que chaque rallonge présente au moins le calibre de fil minimum. Le tableau ci-dessous illustre les calibres à utiliser selon la longueur de rallonge et l'intensité nominale indiquée sur la plaque signalétique. En cas de doute, utiliser le calibre suivant. Plus le calibre est petit, plus la rallonge peut supporter de courant.

Calibres minimaux des rallonges					
Intensité (en ampères)	volts	Longueur totale de cordon en mètres (pieds)			
	120 V	7,6 (25)	15,2 (50)	30,5 (100)	45,7 (150)
	240 V	15,2 (50)	30,5 (100)	61,0 (200)	91,4 (300)
Supérieur à	Inférieur à	AWG			
0	6	18	16	16	14
6	10	18	16	14	12
10	12	16	16	14	12
12	16	14	12	Non recommandé	

▲ AVERTISSEMENT : porter SYSTEMATIQUEMENT des lunettes de protection. Les lunettes courantes NE sont PAS des lunettes de protection. Utiliser aussi un masque antipoussières si la découpe doit en produire beaucoup. PORTER SYSTEMATIQUEMENT UN ÉQUIPEMENT DE SÉCURITÉ HOMOLOGUÉ :

- Protection oculaire ANSI Z87.1 (CAN/CSA Z94.3) ;
- Protection auditive ANSI S12.6 (S3.19) ;
- Protection des voies respiratoires NIOSH/OSHA/MSHA.

▲ AVERTISSEMENT : les scies, meules, ponceuses, perceuses ou autres outils de construction peuvent produire des poussières contenant des produits chimiques reconnus par l'État californien pour causer cancers, malformations congénitales ou être nocifs au système reproducteur. Parmi ces produits chimiques, on retrouve :

- Le plomb dans les peintures à base de plomb ;
- La silice cristallisée dans les briques et le ciment, ou autres produits de maçonnerie ; et
- L'arsenic et le chrome dans le bois ayant subi un traitement chimique.

Le risque associé à de telles expositions varie selon la fréquence à laquelle on effectue ces travaux. Pour réduire toute exposition à ces produits : travailler dans un endroit bien aéré, en utilisant du

Nettoyage

⚠️AVERTISSEMENT : enlever les saletés et la poussière hors des événements au moyen d'air comprimé propre et sec, au moins une fois par semaine. Pour minimiser le risque de blessure aux yeux, toujours porter une protection oculaire conforme à la norme ANSI Z87.1 lors du nettoyage.

⚠️AVERTISSEMENT : ne jamais utiliser de solvants ni d'autres produits chimiques puissants pour nettoyer les pièces non métalliques de l'outil. Ces produits chimiques peuvent affaiblir les matériaux de plastique utilisés dans ces pièces. Utiliser un chiffon humecté uniquement d'eau et de savon doux. Ne jamais laisser de liquide pénétrer dans l'outil et n'immerger aucune partie de l'outil dans un liquide.

Lubrification

Votre outil a été parfaitement lubrifié avant son départ d'usine. Entre deux à six mois, selon la fréquence d'utilisation, amenez ou envoyez votre outil dans un centre de réparation agréé DeWALT pour entretien, inspection et lubrification complets. Les outils utilisés constamment pour des travaux de production nécessiteront d'être lubrifiés plus souvent. Les outils inutilisés pendant des périodes prolongées doivent être relubrifiés avant réutilisation.

Accessoires

⚠️AVERTISSEMENT : *puisque les accessoires autres que ceux offerts par DeWALT n'ont pas été testés avec ce produit, leur utilisation pourrait s'avérer dangereuse. Pour réduire le risque de blessures, utiliser exclusivement les accessoires DEWALT recommandés avec le présent produit.*

Les accessoires recommandés pour cet outil sont vendus séparément au centre de service de votre région. Pour obtenir de l'aide concernant l'achat d'un accessoire, communiquer avec DeWALT Industrial Tool Co., 701 East Joppa Road, Baltimore, MD 21286 aux États-Unis; composer le 1 800 433-9258 (1 800 4-DEWALT) ou visiter notre site Web : www.dewalt.com.

CAPACITÉS MAXIMALES RECOMMANDÉES		
	D25721	D25762
Béton	48 mm (1-7/8")	52 mm (2")
R/MIN	137–275	125–250
BPM à vide	1 260–2 520	1 150–2 300

Réparations

Pour assurer la SÉCURITÉ et la FIABILITÉ du produit, les réparations, l'entretien et les réglages doivent être réalisés (cela comprend l'inspection et le remplacement du balai) par un centre de réparation en usine DeWALT, un centre de réparation agréé DeWALT ou par d'autres techniciens qualifiés. Toujours utiliser des pièces de rechange identiques.

Registre en ligne

Merci pour votre achat. Enregistrez dès maintenant votre produi:

- RÉPARATIONS SOUS GARANTIE:** cette carte remplie vous permettra de vous prévaloir du service de réparations sous garantie de façon plus efficace dans le cas d'un problème avec le produit.
- CONFIRMATION DE PROPRIÉTÉ:** en cas de perte provoquée par un incendie, une inondation ou un vol, cette preuve de propriété vous servira de preuve auprès de votre compagnie d'assurances.
- SÉCURITÉ:** l'enregistrement de votre produit nous permettra de communiquer avec vous dans l'éventualité peu probable de l'envoi d'un avis de sécurité régi par la loi fédérale américaine de la protection des consommateurs.

Registre en ligne à www.dewalt.com/register.

Garantie limitée de trois ans

DeWALT reparera, sans frais, tout produit défectueux causé par un défaut de matériel ou de fabrication pour une période de trois ans à compter de la date d'achat. La présente garantie ne couvre pas les pièces dont la défectuosité a été causée par une usure normale ou l'usage abusif de l'outil. Pour obtenir de plus amples renseignements sur les pièces ou les réparations couvertes par la présente garantie, visiter le site www.dewalt.com ou composer le 1 800 433-9258 (1 800 4-DEWALT). Cette garantie ne s'applique pas aux accessoires et ne vise pas les dommages causés par des réparations effectuées par un tiers. Cette garantie confère des droits légaux particuliers à l'acheteur, mais celui-ci pourrait aussi bénéficier d'autres droits variant d'un état ou d'une province à l'autre.

En plus de la présente garantie, les outils DeWALT sont couverts par notre :

CONTRAT D'ENTRETIEN GRATUIT D'UN AN


DeWALT entretiendra l'outil et remplacera les pièces usées au cours d'une utilisation normale et ce, gratuitement, pendant une période d'un an à compter de la date d'achat.

GARANTIE DE REMBOURSEMENT DE 90 JOURS

Si l'acheteur n'est pas entièrement satisfait, pour quelque raison que ce soit, du rendement de l'outil électrique, du laser ou de la cloueuse DeWALT, celui-ci peut le retourner, accompagné d'un reçu, dans les 90 jours à compter de la date d'achat pour obtenir un remboursement intégral, sans aucun problème.

AMÉRIQUE LATINE : cette garantie ne s'applique aux produits vendus en Amérique latine. Pour ceux-ci, veuillez consulter les informations relatives à la garantie spécifique présente dans l'emballage, appeler l'entreprise locale ou consulter le site Web pour les informations relatives à cette garantie.

REPLACEMENT GRATUIT DES ÉTIQUETTES D'AVERTISSEMENT : si les étiquettes d'avertissement deviennent illisibles ou sont manquantes, composer le 1 800 433-9258 (1 800 4-DEWALT) pour en obtenir le remplacement gratuit.

CTC COMPLETE TORQUE CONTROL	DXXXXX 2" (52mm) SDS MAX ROTARY HAMMER	DXXXXX
DXXXXX	SER. XXXXXXXXXX	SER. XXXXXXXXXX
Clutch 1	⚠️AVERTISSEMENT TO REDUCE THE RISK OF INJURY, USER MUST READ INSTRUCTION MANUAL. ALWAYS USE PROPER EYE, EAR AND RESPIRATORY PROTECTION. ALWAYS USE SIDE HANDLE.	⚠️ADVERTENCIA LEA EL MANUAL DE INSTRUCCIONES PARA UN FUNCIONAMIENTO SEGURO. SIEMPRE UTILICE PROTECCIÓN ADECUADA PARA LOS OJOS, OÍDOS Y VÍAS RESPIRATORIAS. SIEMPRE UTILICE EL MANGO LATERAL.
Clutch 2	⚠️AVERTISSEMENT AFIN DE MINIMISER LES RISQUES DE BLESSURES, L'UTILISATEUR DOIT LIRE LE GUIDE D'UTILISATION.TOUJOURS UTILISER UNE PROTECTION OCULAIRE, AUDITIVE ET RESPIRATOIRE ADEQUATE. UTILISER LA POIGNEE LATÉRALE.	⚠️AVERTISSEMENT AFIN DE MINIMISER LES RISQUES DE BLESSURES, L'UTILISATEUR DOIT LIRE LE GUIDE D'UTILISATION.TOUJOURS UTILISER UNE PROTECTION OCULAIRE, AUDITIVE ET RESPIRATOIRE ADEQUATE. UTILISER LA POIGNEE LATÉRALE.
	Service Lock-On Brush Service	Service Lock-On Brush Service
<small>DEWALT INDUSTRIAL TOOL CO., BALTIMORE, MD 21286 USA FOR SERVICE INFORMATION, CALL 1-800-4-DEWALT www.Dewalt.com</small>	<small>DEWALT INDUSTRIAL TOOL CO., BALTIMORE, MD 21286 USA FOR SERVICE INFORMATION, CALL 1-800-4-DEWALT www.Dewalt.com</small>	<small>DEWALT INDUSTRIAL TOOL CO., BALTIMORE, MD 21286 USA FOR SERVICE INFORMATION, CALL 1-800-4-DEWALT www.Dewalt.com</small>

Definiciones: Normas de seguridad

Las siguientes definiciones describen el nivel de gravedad de cada palabra de señal. Lea el manual y preste atención a estos símbolos.

⚠️PELIGRO: Indica una situación de peligro inminente que, si no se evita, provocará **la muerte o lesiones graves**.

⚠️ADVERTENCIA: Indica una situación de peligro potencial que, si no se evita, **podría provocar la muerte o lesiones graves**.

⚠️ATENCIÓN: Indica una situación de peligro potencial que, si no se evita, **posiblemente** provocaría **lesiones leves o moderadas**.

AVISO: Se refiere a una práctica **no relacionada a lesiones corporales** que de no evitarse **puede** resultar en **daños a la propiedad**.

SI TIENE ALGUNA DUDA O ALGÚN COMENTARIO SOBRE ÉSTA U OTRA HERRAMIENTA DeWALT, LLÁMENOS AL NÚMERO GRATUITO: **1-800-4-DEWALT (1-800-433-9258)**.

⚠️ADVERTENCIA: Para reducir el riesgo de lesiones, lea el manual de instrucciones.

Advertencias generales de seguridad para herramientas eléctricas

⚠️ADVERTENCIA! *Lea todas las advertencias de seguridad e instrucciones. El incumplimiento de las advertencias e instrucciones puede provocar descargas eléctricas, incendios o lesiones graves.*

CONSERVE TODAS LAS ADVERTENCIAS E INSTRUCCIONES PARA FUTURAS CONSULTAS

El término “herramienta eléctrica” incluido en las advertencias hace referencia a las herramientas eléctricas operadas con corriente (con cable eléctrico) o a las herramientas eléctricas operadas con baterías (inalámbricas).

1) SEGURIDAD EN EL ÁREA DE TRABAJO

- Mantenga el área de trabajo limpia y bien iluminada.* Las áreas abarrotadas y oscuras propician accidentes.
- No opere las herramientas eléctricas en atmósferas explosivas, como ambientes donde haya polvo, gases o líquidos inflamables.** Las herramientas eléctricas originan chispas que pueden encender el polvo o los vapores.
- Mantenga alejados a los niños y a los espectadores de la herramienta eléctrica en funcionamiento.** Las distracciones pueden provocar la pérdida de control.

2) SEGURIDAD ELÉCTRICA

- Los enchufes de la herramienta eléctrica deben adaptarse al tomacorriente. Nunca modifique el enchufe de ninguna manera. No utilice ningún enchufe adaptador con herramientas eléctricas con conexión a tierra.** Los enchufes no modificados y que se adaptan a los tomacorrientes reducirán el riesgo de descarga eléctrica.
- Evite el contacto corporal con superficies con descargas a tierra como, por ejemplo, tuberías, radiadores, cocinas eléctricas y refrigeradores.** Existe mayor riesgo de descarga eléctrica si su cuerpo está puesto a tierra.
- No exponga las herramientas eléctricas a la lluvia o a condiciones de humedad.** Si entra agua a una herramienta eléctrica, aumentará el riesgo de descarga eléctrica.
- No maltrate el cable. Nunca utilice el cable para transportar, tirar o desenchufar la herramienta eléctrica. Mantenga el cable alejado del calor, el aceite, los bordes filosos y las piezas móviles.** Los cables dañados o enredados aumentan el riesgo de descarga eléctrica.
- Al operar una herramienta eléctrica en el exterior, utilice un cable prolongador adecuado para tal uso.** Utilice un cable adecuado para uso en exteriores a fin de reducir el riesgo de descarga eléctrica.

- Si el uso de una herramienta eléctrica en un lugar húmedo es imposible de evitar, utilice un suministro protegido con un interruptor de circuito por falla a tierra (GFCI).* El uso de un GFCI reduce el riesgo de descargas eléctricas.

3) SEGURIDAD PERSONAL

- Permanezca alerta, controle lo que está haciendo y utilice el sentido común cuando emplee una herramienta eléctrica. No utilice una herramienta eléctrica si está cansado o bajo el efecto de drogas, alcohol o medicamentos.** Un momento de descuido mientras se opera una herramienta eléctrica puede provocar lesiones personales graves.
- Utilice equipos de protección personal. Siempre utilice protección para los ojos.** En las condiciones adecuadas, el uso de equipos de protección, como máscaras para polvo, calzado de seguridad antideslizante, cascos o protección auditiva, reducirá las lesiones personales.
- Evite el encendido por accidente. Asegúrese de que el interruptor esté en la posición de apagado antes de conectarlo a la fuente de energía o paquete de baterías, o antes de levantar o transportar la herramienta.** Transportar herramientas eléctricas con el dedo apoyado en el interruptor o enchufar herramientas eléctricas con el interruptor en la posición de encendido puede propiciar accidentes.
- Retire la clavija de ajuste o la llave de tuercas antes de encender la herramienta eléctrica.** Una llave de tuercas o una clavija de ajuste que quede conectada a una pieza giratoria de la herramienta eléctrica puede provocar lesiones personales.
- No se estire. Conserve el equilibrio y párese adecuadamente en todo momento.** Esto permite un mejor control de la herramienta eléctrica en situaciones inesperadas.
- Use la vestimenta adecuada. No use ropas holgadas ni joyas. Mantenga el cabello, la ropa y los guantes alejados de las piezas en movimiento.** Las ropas holgadas, las joyas o el cabello largo pueden quedar atrapados en las piezas en movimiento.
- Si se suministran dispositivos para la conexión de accesorios con fines de recolección y extracción de polvo, asegúrese de que estén conectados y que se utilicen correctamente.** El uso de dispositivos de recolección de polvo puede reducir los peligros relacionados con el polvo.

4) USO Y MANTENIMIENTO DE LA HERRAMIENTA ELÉCTRICA

- No fuerce la herramienta eléctrica. Utilice la herramienta eléctrica correcta para el trabajo que realizará.** Si se la utiliza a la velocidad para la que fue diseñada, la herramienta eléctrica correcta permite trabajar mejor y de manera más segura.
- No utilice la herramienta eléctrica si no puede encenderla o apagarla con el interruptor.** Toda herramienta eléctrica que no pueda ser controlada mediante el interruptor es peligrosa y debe repararse.
- Desconecte el enchufe de la fuente de energía o el paquete de baterías de la herramienta eléctrica antes de realizar ajustes, cambiar accesorios o almacenar la herramienta eléctrica.** Estas medidas de seguridad preventivas reducen el riesgo de encender la herramienta eléctrica en forma accidental.
- Guarde la herramienta eléctrica que no esté en uso fuera del alcance de los niños y no permita que otras personas no familiarizadas con ella o con estas instrucciones operen la herramienta.** Las herramientas eléctricas son peligrosas si son operadas por usuarios no capacitados.
- Realice el mantenimiento de las herramientas eléctricas. Revise que no haya piezas en movimiento mal alineadas o trabadas, piezas rotas o cualquier otra situación que pueda afectar el funcionamiento de la herramienta eléctrica. Si encuentra daños, haga reparar la herramienta eléctrica antes de utilizarla.** Se producen muchos accidentes a causa de las herramientas eléctricas que carecen de un mantenimiento adecuado.
- Mantenga las herramientas de corte afiladas y limpias.** Las herramientas de corte con mantenimiento adecuado y con los bordes de corte afilados son menos propensas a trabarse y son más fáciles de controlar.
- Utilice la herramienta eléctrica, los accesorios y las brocas de la herramienta, etc. de acuerdo con estas instrucciones y teniendo en cuenta las condiciones de trabajo y el trabajo que debe realizarse.** El uso de la herramienta eléctrica para operaciones diferentes de aquéllas para las que fue diseñada podría originar una situación peligrosa.

5) MANTENIMIENTO

- Solicite a una persona calificada en reparaciones que realice el mantenimiento de su herramienta eléctrica y que sólo utilice piezas de repuesto idénticas.** Esto garantizará la seguridad de la herramienta eléctrica.

Instrucciones de seguridad adicionales para los rotomartillos

- Utilice protectores auditivos.** La exposición a ruidos puede causar pérdida auditiva.
- Utilice la(s) agarradera(s) auxiliare(s), si son suministradas con la herramienta.** Perder el control de la herramienta podría causar lesiones corporales.
- Sostenga la herramienta eléctrica por sus superficies de empuñadura aisladas cuando realice una operación en la cual el accesorio de corte pudiera entrar en contacto con alambrado oculto o con su propio cable.** Si el accesorio de corte entra en contacto con un cable “vivo” puede hacer que las partes metálicas de la herramienta eléctrica queden “vivas” y causar una descarga eléctrica al operador.
- Use abrazaderas u otra manera práctica de fijar y sujetar la pieza de trabajo a una plataforma estable.** Sujetar la pieza con la mano o contra el cuerpo es inestable y resultará en que pierda el control.
- Lleve lentes de seguridad u otra protección ocular.** Las operaciones de martilleo provocan la expulsión de virutas. Las partículas despedidas pueden provocar lesiones irreversibles en los ojos. Lleve una mascarilla antipolvo o un respirador cuando realice aplicaciones que generen polvo. En la mayoría de las aplicaciones puede ser necesaria una protección auditiva.
- Mantenga siempre la herramienta bien sujeta. No opere la herramienta si no puede sujetarla con ambas manos.** Es recomendable usar siempre el mango lateral. Si opera esta herramienta con una sola mano, perderá el control de la misma. Atravesar o topar con materiales duros, tales como un refuerzo posterior, también podría resultar peligroso. Ajuste bien el mango lateral antes de usar la herramienta.
- No opere esta herramienta durante períodos largos de tiempo.** La vibración provocada por la acción de percusión puede ser peligrosa para sus manos y brazos. Utilice guantes para mayor amortiguación y descanse con frecuencia para limitar el riesgo de exposición.
- No renueve las brocas usted mismo.** La renovación de las brocas debe realizarla un especialista autorizado. Una broca mal renovada puede provocar lesiones.
- Lleve guantes al operar la herramienta y al cambiar las brocas.** Las piezas metálicas de la herramienta y las brocas pueden calentarse mucho durante la operación. Los pequeños trozos de material roto pueden dañar las manos desprotegidas.
- Nunca suelte la herramienta hasta que la broca haya dejado de girar totalmente.** Las brocas en movimiento pueden provocar lesiones.
- Si una broca se atasca, no la golpee con un martillo para desbloquearla.** Podrían saltar fragmentos de metal o virutas de material y provocar lesiones.
- Mantenga el cable alejado de la broca en movimiento. No enrolle el cable alrededor de ninguna parte de su cuerpo.** Un cable eléctrico enrollado alrededor de una broca que gira puede provocar lesiones y pérdida de control.
- Los orificios de ventilación suelen cubrir piezas en movimiento, por lo que también se deben evitar.** Las piezas en movimiento pueden atrapar prendas de vestir sueltas, joyas o el cabello largo.
- El cable de extensión deben ser de un calibre apropiado para su seguridad.** Mientras menor sea el calibre del hilo, mayor la capacidad del cable. Es decir, un hilo calibre 16 tiene mayor capacidad que uno de 18. Un cable de un calibre insuficiente causará una caída en la tensión de la línea dando por resultado una pérdida de energía y sobrecalentamiento. Cuando se utilice más de un alargador para completar el largo total, asegúrese que los hilos de cada alargador tengan el calibre mínimo. La tabla siguiente muestra el tamaño correcto a utilizar, dependiendo de la longitud del cable y del amperaje nominal de la placa de identificación. Si tiene dudas sobre cuál calibre usar, use un calibre mayor. Cuanto más pequeño sea el número del calibre, más resistente será el cable.

Calibre mínimo para cables de alimentación						
Amperaje		Voltios	Largo total del cordón en metros (pies)			
		120 V	7,6 (25)	15,2 (50)	30,5 (100)	45,7 (150)
		240 V	15,2 (50)	30,5 (100)	61,0 (200)	91,4 (300)
Más de	No más de	AWG				
0	6	18	16	16	14	
6	10	18	16	14	12	
10	12	16	16	14	12	
12	16	14	12	No recomendado		

⚠️ADVERTENCIA: Use **SIEMPRE** lentes de seguridad. Los anteojos de diario NO SON lentes de seguridad. Utilice además una cubrebocas o mascarilla antipolvo si la operación de corte genera demasiado polvo. **SIEMPRE LLEVE EQUIPO DE SEGURIDAD CERTIFICADO:**

- Protección ocular ANSI Z87.1 (CAN/CSA Z94.3),
- Protección auditiva ANSI S12.6 (S3.19),
- Protección respiratoria NIOSH/OSHA/MSHA.

⚠️ADVERTENCIA: Algunas partículas de polvo generadas al lijar, serrar, esmerilar y taladrar con herramientas eléctricas, así como al realizar otras actividades de construcción, contienen químicos que el Estado de California sabe que pueden producir cáncer, defectos congénitos u otras afecciones reproductivas. Ejemplos de estos químicos son:

- plomo de algunas pinturas en base a plomo,
- polvo de sílice proveniente de ladrillos y cemento y otros productos de albañilería, y
- arsénico y cromo provenientes de madera tratada químicamente.

Su riesgo de exposición a estos químicos varía, dependiendo de la frecuencia con la cual realiza usted este tipo de trabajo. Para reducir su exposición a estas sustancias químicas: trabaje en una zona bien ventilada y llevando equipos de seguridad aprobados, como mascarillas antipolvo especialmente diseñadas para filtrar partículas microscópicas.

- Evite el contacto prolongado con polvo generado por el lijado, aserrado, pulido, aladrado y otras actividades de construcción. Vista ropas protectoras y lave las áreas de la piel expuestas con agua y jabón.** Si permite que el polvo se introduzca en la boca u ojos o quede sobre la piel, puede favorecer la absorción de productos químicos peligrosos.

⚠️ADVERTENCIA: La utilización de esta herramienta puede generar polvo o dispersarlo, lo que podría causar daños graves y permanentes al sistema respiratorio, así como otras lesiones. Siempre use protección respiratoria aprobada por NIOSH (Instituto Nacional de Seguridad y Salud en el Trabajo) u OSHA (Administración de Seguridad y Salud en el Trabajo) apropiada para la exposición al polvo. Dirija las partículas en dirección contraria a la cara y el cuerpo.

⚠️ADVERTENCIA: Siempre lleve la debida protección auditiva personal en conformidad con ANSI S12.6 (S3.19) durante el uso de esta herramienta. Bajo algunas condiciones y duraciones de uso, el ruido producido por este producto puede contribuir a la pérdida auditiva.

- La etiqueta de su herramienta puede incluir los siguientes símbolos. A continuación se indican los símbolos y sus definiciones:

V.....voltios

A.....amperios

Hz.....hertz

W.....vatios

<i>min</i>	<i>minutos</i>
⎓ o <i>DC</i>	<i>corriente directa</i>
Ⓜ	<i>Construcción de Clase I (tierra)</i>
Ⓜ	<i>Construcción de Clase II) (doble aislamiento)</i>
<i>.../min</i>	<i>por minuto</i>
<i>IPM</i>	<i>impactos por minuto</i>
<i>sfpm</i>	<i>pies de superficie por minuto</i>
<i>SPM</i>	<i>pasadas por minuto</i>

Motor

Esta herramienta DEWALT está impulsada por un motor fabricado por DEWALT. Compruebe que el suministro eléctrico concuerde con el indicado en la placa de características. Una reducción del voltaje superior al 10% provocará pérdida de potencia y sobrecalentamiento. Todas las herramientas DEWALT se prueban de fábrica.

COMPONENTES (Fig. 1–6)

⚠ADVERTENCIA: *Nunca modifique la herramienta eléctrica, ni tampoco ninguna de sus piezas.*

Podría producir lesiones corporales.

- | | |
|---|--|
| A. Interruptor de gatillo (D25721, D25762) | K. Anillo de acero |
| Conmutador basculante de encendido/apagado (D25871, D25891) | L. Collarín |
| B. Pieza deslizante de bloqueo (D25721, D25762) | M. Porta herramientas |
| C. Agarradera lateral | N. Casquillo |
| D. Agarradera principal | O. Clavija |
| E. SHOCKS Active Vibration Control® System (Control activo de vibración SHOCKS) | P. Manguito de bloqueo |
| F. Selector de modalidad | Q. Perilla de la agarradera lateral |
| G. Selector de control de la velocidad y el impacto | R. Configuración de embrague 1 (40 Nm) |
| H. Rueda de sujeción | S. Configuración de embrague 2 (80 Nm) |
| I. Posición trasera de la agarradera lateral | T. Indicador LED amarillo del desgaste de escobillas |
| J. Abrazadera de la agarradera lateral | U. Indicador LED rojo |
| | V. Palanca de control del par de torsión |
| | W. Área de montaje de la agarradera lateral |

USO DEBIDO

Estos rotomartillos para trabajos pesados han sido diseñados para el taladrado con percusión y corte por capas realizado a nivel profesional en diversos sitios de trabajo (por ejemplo, sitios de construcción). **NO** utilice la herramienta en condiciones de humedad o en la presencia de líquidos o gases inflamables.

Estos rotomartillos para trabajo pesado son herramientas eléctricas profesionales . **NO** permita que los niños toquen la herramienta. Si el operador no tiene experiencia operando esta herramienta, su uso deberá ser supervisado.

MONTAJE Y AJUSTES

⚠ADVERTENCIA: *Para reducir el riesgo de lesiones personales graves, apague la herramienta y desconéctela de la fuente de alimentación antes de instalar y retirar accesorios, ajustar o cambiar configuraciones o realizar reparaciones. Un arranque accidental podría causar lesiones.*

Control para operar y proteger (Fig. 1)

D25762 ÚNICAMENTE

Estos martillos están equipados con embrague de 2 etapas. Estas características detectan el movimiento de la herramienta y reducen el par de torsión del motor a un nivel manejable, si es necesario. El indicador LED rojo (U) se iluminará para indicar el estado.

INDICADOR	DIAGNOSTICO	SOLUCIÓN
APAGADO (OFF)	La herramienta funciona con normalidad	Siga todas las advertencias e instrucciones cuando esté operando la herramienta
FIJO	El Control para operar y proteger ha sido activado	Habiendo apoyado apropiadamente la herramienta, libere el gatillo la herramienta funcionara normalmente cuando el obturador sea liberado nuevamente y la luz indicadora se apagará
INTERMITENTE	El Control para operar y proteger no está funcionando bien	Lleva la herramienta a un agente de reparación autorizado de DEWALT

NOTA: Si la potencia de la herramienta no es suficiente para el martilleo normal y el LED no parpadea, lleve la herramienta a un centro de reparación autorizado de DEWALT.

Agarradera lateral (Fig. 2–4)

D25721, D25762

⚠ADVERTENCIA: *Para reducir el riesgo de lesiones corporales, SIEMPRE opere la herramienta con el mango lateral debidamente instalado y ajustado. El incumplimiento con lo anterior podría resultar en que el mango lateral se suelte durante la operación de la herramienta y que el operador pierda el control como consecuencia. Sostenga la herramienta con ambas manos para maximizar control.*

La agarradera lateral se sujeta al cilindro frontal (collarín) y se puede girar 360° para permitir su uso con la mano derecha o izquierda. Para mayor comodidad, la agarradera lateral puede montarse en las posiciones delantera o trasera.

MONTAJE EN LA POSICIÓN DELANTERA (FIG. 2)

- Desatornille la agarradera lateral (C) y la rueda de sujeción (H). Retire la abrazadera de la agarradera lateral (J), lo que permitirá el desensamblaje de las partes restantes.
- Cierre el anillo de acero (K) sobre el collarín (L) situado detrás del portaherramientas (M). Apriete ambos extremos del anillo de acero uno contra el otro. Monte el casquillo (N) e inserte la clavija (O).
- Deslice la abrazadera de la agarradera lateral (J) sobre el casquillo (N) mientras que mantiene centrada la clavija (O). Atornille un poco la rueda de sujeción (H) en el casquillo (N); no apriete.
- Atornille la agarradera lateral (C) en la rueda de sujeción (H) y apriete.
- Haga girar el conjunto de montaje de la agarradera lateral hasta la posición deseada. Si debe taladrar con percusión horizontalmente con una broca para trabajos pesados, para lograr un control óptimo coloque el conjunto de la agarradera con un ángulo de unos 20° respecto a la herramienta.
- Bloquee el conjunto de montaje de la agarradera lateral en su lugar apretando firmemente la rueda de sujeción (H) de tal modo que conjunto no gire.

MONTAJE EN LA POSICIÓN TRASERA (FIG. 3)

- Desatornille la agarradera lateral (C) y retírela del conjunto de montaje de la agarradera lateral. Deje el conjunto de montaje de la agarradera lateral en la posición frontal.
- Atornille firmemente la agarradera lateral directamente en una de las posiciones traseras (I) para agarradera lateral, situadas a uno y otro lado de la herramienta.

D25871, D25891 (FIG. 4)

- Desatornille la perilla de la agarradera lateral (Q).
- Deslice el conjunto de la agarradera lateral sobre el portaherramientas (M) y en el collarín (L) en el área de montaje (W). La posición correcta de la agarradera lateral es entre el cabezal y la mitad del tubo.
- Ajuste la agarradera lateral (C) al ángulo deseado.
- Deslice y gire la abrazadera lateral a la posición deseada.
- Bloquee la agarradera lateral en su lugar apretando firmemente la perilla (Q) de tal modo que el conjunto de la agarradera lateral no gire.

SHOCKS Active Vibration Control® System (Sistema de Control activo de vibración SHOCKS) (Fig. 1)

Para un mejor control de la vibración, sostenga la herramienta con una mano en la agarradera principal (D) y la otra en la agarradera lateral (C). Aplique la cantidad suficiente de presión de modo que el martillo quede aproximadamente a medio golpe. El martillo sólo requiere una cantidad suficiente de presión para activar el SHOCKS Active Vibration Control® system (Control activo de vibración SHOCKS). La herramienta no taladrará ni cortará con mayor rapidez, ni se activará el SHOCKS Active Vibration Control® system (Control activo de vibración SHOCKS) si se aplica más presión de la necesaria.

Inserción y desmontaje de accesorios SDS Max® (Fig. 5)

⚠ADVERTENCIA: *Para reducir el riesgo de lesiones corporales graves, apague la herramienta y desconéctela de la fuente de alimentación antes de realizar ajustes o de quitar o poner accesorios.*

- Tire hacia atrás del manguito de bloqueo (P) e inserte el vástago de la broca. El vástago de la broca debe estar limpio y ligeramente lubricado.
- Gire ligeramente la broca hasta que el manguito vuelva a su posición.
- Cerciórese que la broca esté engranada en forma apropiada.

NOTA: La broca necesita moverse varios centímetros adentro y afuera del porta herramientas (M) cuando está engranado en forma apropiada.
- Para retirar la broca, tire del manguito de bloqueo y extraiga la broca.

Embrague de dos etapas (Fig. 6)

AVISO : *Siempre apague la herramienta antes de cambiar los ajustes de control del par de torsión o podría dañar la herramienta.*

EMBRAGUE DE DOS ETAPAS (D25762 ÚNICAMENTE)

La configuración de embrague 1 (R) está orientada a la mayoría de aplicaciones de taladrado de percusión y está diseñada para desembragar fácilmente cuando la broca encuentre varillas de refuerzo u otras sustancias extrañas.

La configuración de embrague 2 (S) está orientada a aplicaciones con mayor par de torsión, tales como barrenas huecas y taladrado de percusión de orificios profundos, y está diseñada para desembragar al pasar un mayor umbral de par de torsión.

Desplace la palanca de control del par de torsión (V) a la configuración 1 ó 2 según lo requiera la aplicación.

NOTA: Permita que la carcasa del motor gire un poco al cambiar el par de torsión.

Cada vez que se enchufa la herramienta se pondrá automáticamente en la configuración de embrague 1, la configuración más sensible.

Control electrónico de la velocidad y el impacto (Fig. 6)

El control electrónico de la velocidad y el impacto permite usar brocas más pequeñas sin riesgo de romperlas; taladrar con percusión en materiales ligeros y frágiles sin astillarlos, y tener un control óptimo para un cincelado preciso.

Para fijar el selector de control, gire el selector (G) al nivel deseado. Cuanto más alto sea el número, mayores serán la velocidad y la energía de impacto. Los valores del selector permiten

que la herramienta sea extremadamente flexible y adaptable a muchas aplicaciones distintas. El valor adecuado depende del tamaño de la broca y la dureza del material taladrado.

Selector de modo (Fig. 1)

⚠ATENCIÓN: *Nunca cambie el modo mientras que la unidad esté funcionando.*

⚠ATENCIÓN: *No cambie a la modalidad de taladro percutor con la broca para cincelado en el portaherramientas. Podrían presentarse lesiones corporales y daños a la herramienta.*

Para seleccionar el modo operativo requerido, gire el selector de modalidad (F) hasta que la flecha apunte al ícono de taladrado de percusión o de burilado.

MODO DE TALADRADO DE PERCUSIÓN (⚡T)

(D25721, D25762)

La herramienta gira e impacta el trabajo simultáneamente. Este modo es adecuado para todas las operaciones sobre hormigón y mampostería.

MODO DE BURILADO (T)

El seguro del eje está engranado durante el modo de burilado de tal modo que la herramienta impacta el trabajo sin rotación. Este modo es adecuado para trabajos livianos de burilado, cincelado y demolición.

NOTA: En modo de burilado, el taladro percutor también puede usarse como palanca para liberar una broca atascada.

AJUSTE DE LA BROCA PARA CINCELADO (U)

Gire el selector de modalidad hasta uno de los iconos de ajuste de la broca para cincelado para ajustar el cincel a la posición deseada. Existen 24 posiciones posibles para ajustar el ángulo del cincel. Después de encontrar la posición deseada, maniobre suavemente la broca para cincelado hacia atrás y hacia adelante para cerciorarse de que el cincel esté engranado en forma apropiada.

Luces indicadoras (Fig. 6)

El indicador LED amarillo del desgaste de escobillas (T) se enciende cuando las escobillas de carbón estén casi desgastadas, indicando que la herramienta necesita servicio dentro de las próximas 8 horas de uso.

El indicador LED rojo (U) se enciende si se usa la pieza deslizante de bloqueo (B) y/o el embrague electrónico en cualquier modo distinto al modo de burilado.

El indicador LED rojo (U) destella si se presenta una avería en la herramienta, o si las escobillas están completamente desgastadas (refiérase a **Reparaciones** bajo **Mantenimiento**).

FUNCIONAMIENTO

⚠ADVERTENCIA: *Para reducir el riesgo de lesiones personales graves, apague la herramienta y retire el paquete de baterías antes de realizar ajustes o de retirar/instalar dispositivos o accesorios. Un arranque accidental podría causar lesiones.*

⚠ADVERTENCIA: *Para reducir el riesgo de lesiones corporales, SIEMPRE asegúrese de que la pieza de trabajo esté debidamente sujeta. Si va a taladrar con percusión un material delgado, utilice un bloque de madera como «respaldo» para evitar dañarlo.*

⚠ADVERTENCIA: *Para reducir el riesgo de lesiones corporales, SIEMPRE opere la herramienta con el mango lateral debidamente instalado y ajustado. El incumplimiento con lo anterior podría resultar en que el mango lateral se suelte durante la operación de la herramienta y que el operador pierda el control como consecuencia. Sostenga la herramienta con ambas manos para maximizar control.*

Bien colocar las manos (Fig. 7)

⚠WARNING: *Para reducir el riesgo de lesiones personales, SIEMPRE coloque las manos en forma adecuada, tal como se muestra en la Figura 7.*

⚠ADVERTENCIA: *Para reducir el riesgo de lesiones personales, SIEMPRE debe de sujetar la herramienta correctamente para anticipar reacciones súbitas.*

NOTA: La temperatura de operación de esta herramienta es -7 a +40° C (19° a 104° F). El utilizar la herramienta por fuera de este rango de temperatura disminuirá la vida útil de la herramienta. Mantenga una mano sobre la agarradera lateral (C) y la otra sobre la agarradera principal (D) para sujetar la máquina correctamente.

Interruptor de gatillo (Fig. 1)

Para encender la herramienta, apriete el interruptor de gatillo (A). Para detener la herramienta, suelte el interruptor de gatillo. Para bloquear el interruptor de gatillo en el modo de burilado solamente, empuje la pieza deslizante de bloqueo (B) mientras presiona el interruptor de gatillo. Para desactivar la pieza deslizante de bloqueo, presione una vez el interruptor de gatillo y suelte a continuación.

La pieza deslizante de bloqueo solamente puede ser activada en el modo de cincelado. La máquina dejará de operar cuando se intente engranar la pieza deslizante de bloqueo en el modo de taladrado. El motor se detendrá si la pieza deslizante para bloqueo en encendido es activada al cambiar del modo de cincelado al modo de taladrado.

FUNCIÓN DE ARRANQUE PROGRESIVO

La función de arranque progresivo permite aumentar la velocidad lentamente, de modo que la broca no se mueva de la posición de taladrado al arrancar. La función de arranque progresivo también reduce la reacción de par inmediata transmitida al engranaje y al operador si el martillo arranca con la broca en un agujero que ya exista.

Taladrado con brocas sólidas (Fig. 1, 6)

(D25721, D25762)

- Coloque el selector de modalidad (F) en el modo de taladrado de percusión.
- Mueva la palanca de control (V) del par de torsión a la configuración de embrague 1 (R).
- Fije el selector de control de la velocidad y el impacto (G).
- Inserte la broca adecuada.
- Ajuste la agarradera lateral (posición frontal o trasera).
- Marque el punto donde debe taladrarse el agujero.
- Coloque la broca sobre esa marca y presione el interruptor de gatillo.
- Aplique solamente suficiente presión para engranar el control de vibración activa (Refiérase a **Control de vibración activa**).
- Para detener la herramienta, suelte el interruptor de gatillo. Siempre apague la herramienta al terminar el trabajo y antes de desenchufar.

Taladrado con barrenas huecas (Fig. 1, 6)

(D25721, D25762)

⚠ATENCIÓN: *No utilice una barrena hueca para taladrado de percusión en madera. Podrían presentarse lesiones corporales y daños a la herramienta.*

- Coloque el selector de modalidad (F) en el modo de taladrado de percusión.
- Mueva la palanca de control del par de torsión (V) a la configuración de embrague 2 (S).
- Gire el selector de control de velocidad e impacto (G) a una posición de velocidad baja.
- Ajuste la agarradera lateral (posición frontal o trasera).
- Monte la broca de centrado y el vástago del adaptador en la barrena hueca e inserte en la herramienta.
- Marque el punto donde debe taladrarse el agujero.
- Coloque la broca de centrado sobre esa marca y presione el interruptor de gatillo.

NOTA: Algunas barrenas huecas precisan que se quite la broca de centrado después de una penetración de aproximadamente 1 cm. Si es así, retire y continúe con el taladrado de percusión.
- Al efectuar taladrado de percusión a través de una estructura más gruesa que la profundidad de la barrena hueca, quite periódicamente el cilindro de hormigón o el núcleo del interior de la barrena. Para evitar la rotura del hormigón alrededor del orificio, taladre antes un agujero del diámetro de la broca de centrado a lo largo de toda la estructura. Luego barrene el agujero, la mitad desde cada lado de la estructura.
- Para detener la herramienta, suelte el interruptor de gatillo. Siempre apague la herramienta al terminar el trabajo y antes de desenchufar.

Burilado y cincelado

- Coloque el selector de modalidad en el modo de burilado.
- Coloque el selector de control impacto en la configuración deseada (refiérase a **Control electrónico de la velocidad y el impacto**).
- Inserte el cincel adecuado y gírelo a mano para fijarlo en la posición deseada.

NOTA: Utilice solamente herramientas de inserción SDS Max® para los modelos SDS Max®.
- Ajuste la agarradera lateral (posición frontal o trasera).
- Presione el interruptor de gatillo.
- Aplique solamente suficiente presión para engranar el control de vibración activa (Refiérase a **Control de vibración activa**).
- Para detener la herramienta, suelte el interruptor de gatillo. Siempre apague la herramienta al terminar el trabajo y antes de desenchufar.

Taladrado de percusión (Fig. 1)

⚠ADVERTENCIA: *Para reducir el riesgo de lesiones corporales, SIEMPRE asegúrese de que la pieza de trabajo esté debidamente sujeta. Si va a taladrar con percusión un material delgado, utilice un bloque de madera como «respaldo» para evitar dañarlo.*

Coloque el selector de modalidad (F) en el modo de taladrado de percusión.

FUNCIONAMIENTO DEL TALADRO PERCUTOR

- Quando taladre con percutor, use la fuerza necesaria sobre el martillo para evitar que rebote excesivamente o que “sobrepase” la broca. Si usa demasiada fuerza, la velocidad de taladrado de percusión será menor y se sobrecalentará la herramienta.
- Taladre en forma recta, manteniendo la broca en ángulo recto en relación a la pieza a trabajar. No ejerza presión lateral en la broca mientras realice taladrado de percusión, pues la broca podría atorarse y disminuir la velocidad de taladrado de percusión.
- Quando taladre con percusión orificios profundos, si la velocidad del martillo empieza a disminuir, retire parcialmente la broca del orificio mientras la herramienta siga andando para ayudar a limpiar de desechos el orificio.
- Para mampostería use brocas con puntas de carburo o brocas de mampostería. Un flujo uniforme y suave de polvo indica que se está taladrando con percusión a la velocidad adecuada.

MANTENIMIENTO

⚠ADVERTENCIA: *Para reducir el riesgo de lesiones personales graves, apague la herramienta y retire el paquete de baterías antes de realizar ajustes o de retirar/instalar dispositivos o accesorios. Un arranque accidental podría causar lesiones.*

Escobillas del Motor

DEWALT usa un sistema avanzado de escobillas que automáticamente detiene el taladro cuando las escobillas están desgastadas. Esto evita daños graves al motor. En los centros autorizados de servicio DEWALT se encuentran disponibles juegos de escobillas nuevos. Siempre use repuestos idénticos.

Limpieza

▲ADVERTENCIA: *Sople la suciedad y el polvo de todos los conductos de ventilación con aire seco, al menos una vez por semana. Para reducir el riesgo de lesiones, utilice siempre protección para los ojos aprobada ANSI Z87.1 al realizar esta tarea.*

▲ADVERTENCIA: *Nunca utilice solventes ni otros químicos abrasivos para limpiar las piezas no metálicas de la herramienta. Estos productos químicos pueden debilitar los materiales plásticos utilizados en estas piezas. Utilice un paño humedecido sólo con agua y jabón neutro. Nunca permita que penetre líquido dentro de la herramienta ni sumerja ninguna de las piezas en un líquido.*

Lubricación

Su herramienta fue debidamente lubricada antes de dejar la fábrica. Lleve o envíe la herramienta a un centro de servicio certificado en dos a seis meses, dependiendo del nivel de uso para que se le haga una limpieza e inspección minuciosa. Las herramientas utilizadas constantemente en tareas de producción pueden requerir una lubricación más frecuente. Las herramientas que no son utilizadas por períodos largos de tiempo deberían volverse a lubricar antes de usarse nuevamente.

Accesorios

▲ADVERTENCIA: *Debido a que no se han probado con este producto otros accesorios que no sean los que ofrece DEWALT., el uso de dichos accesorios con esta herramienta podría ser peligroso. Para reducir el riesgo de lesiones, con este producto deben usarse sólo los accesorios recomendados por DEWALT.*

Los accesorios que se recomiendan para utilizar con la herramienta están disponibles a un costo adicional en su distribuidor local o en un centro de mantenimiento autorizado. Si necesita ayuda para localizar algún accesorio, póngase en contacto con DEWALT Industrial Tool Co., 701 East Joppa Road, Baltimore, MD 21286, llame al 1-800-4-DEWALT (1-800-433-9258) o visite nuestro sitio web: www.dewalt.com.

CAPACIDADES MÁXIMAS RECOMENDADAS

	D25721	D25762
Hormigón	48 mm (1-7/8 pulg.)	52 mm (2 pulg.)
RPM	137–275	125–250
BPM sin carga	1 260–2 520	1 150–2 300

Reparaciones

El cargador y las unidades de batería no pueden ser reparados.

Para asegurar la SEGURIDAD y la CONFIABILIDAD del producto, las reparaciones, el mantenimiento y los ajustes deben (inclusive inspección y cambio de carbones) ser realizados en un centro de mantenimiento en la fábrica DEWALT, en un centro de mantenimiento autorizado DEWALT u por otro personal de mantenimiento calificado. Utilice siempre piezas de repuesto idénticas.

PARA REPARACIÓN Y SERVICIO DE SUS HERRAMIENTAS ELÉCTRICAS, FAVOR DE DIRIGIRSE AL CENTRO DE SERVICIO MÁS CERCANO

CULIACAN, SIN

Blvd.Emiliano Zapata 5400-1 Poniente

Col. San Rafael (667) 717 89 99

GUADALAJARA, JAL

Av. La Paz #1779 - Col. Americana Sector Juárez

(33) 3825 6978

MEXICO, D.F.

Eje Central Lázaro Cárdenas No. 18

Local D, Col. Obrera (55) 5588 9377

MERIDA, YUC

Calle 63 #459-A - Col. Centro

(999) 928 5038

MONTERREY, N.L.

Av. Francisco I. Madero 831 Poniente - Col. Centro

(818) 375 23 13

PUEBLA, PUE

17 Norte #205 - Col. Centro

(222) 246 3714

QUERETARO, QRO

Av. San Roque 274 - Col. San Gregorio

(442) 2 17 63 14

SAN LUIS POTOSI, SLP

Av. Universidad 1525 - Col. San Luis

(444) 814 2383

TORREON, COAH

Blvd. Independencia, 96 Pte. - Col. Centro

(871) 716 5265

VERACRUZ, VER

Prolongación Díaz Mirón #4280 - Col. Remes

(229) 921 7016

VILLAHERMOSA, TAB

Constitución 516-A - Col. Centro

(993) 312 5111

PARA OTRAS LOCALIDADES:

Si se encuentra en México, por favor llame al (55) 5326 7100

**Si se encuentra en U.S., por favor llame al
1-800-433-9258 (1-800 4-DEWALT)**

Póliza de Garantía

IDENTIFICACIÓN DEL PRODUCTO:

Sello o firma del Distribuidor.

Nombre del producto: _____ Mod./Cat.: _____

Marca: _____ Núm. de serie: _____

(Datos para ser llenados por el distribuidor)

Fecha de compra y/o entrega del producto: _____

Nombre y domicilio del distribuidor donde se adquirió el producto: _____

Este producto está garantizado por un año a partir de la fecha de entrega, contra cualquier defecto en su funcionamiento, así como en materiales y mano de obra empleados para su fabricación. Nuestra garantía incluye la reparación o reposición del producto y/o componentes sin cargo alguno para el cliente, incluyendo mano de obra, así como los gastos de transportación razonablemente erogados derivados del cumplimiento de este certificado.

Para hacer efectiva esta garantía deberá presentar su herramienta y esta póliza sellada por el establecimiento comercial donde se adquirió el producto, de no contar con ésta, bastará la factura de compra.

EXCEPCIONES

Esta garantía no será válida en los siguientes casos:

- Cuando el producto se hubiese utilizado en condiciones distintas a las normales;
- Cuando el producto no hubiese sido operado de acuerdo con el instructivo de uso que se acompaña;
- Cuando el producto hubiese sido alterado o reparado por personas distintas a las enlistadas al final de este certificado.

Anexo encontrará una relación de sucursales de servicio de fábrica, centros de servicio autorizados y franquiciados en la República Mexicana, donde podrá hacer efectiva su garantía y adquirir partes, refacciones y accesorios originales.

Registro en línea

Gracias por su compra. Registre su producto ahora para:

- **SERVICIO EN GARANTÍA:** Si completa esta tarjeta, podrá obtener un servicio en garantía más eficiente, en caso de que exista un problema con su producto.
- **CONFIRMACIÓN DE PROPIEDAD:** En caso de una pérdida que cubra el seguro, como un incendio, una inundación o un robo, el registro de propiedad servirá como comprobante de compra.
- **PARA SU SEGURIDAD:** Si registra el producto, podremos comunicarnos con usted en el caso improbable que se deba enviar una notificación de seguridad conforme a la Federal Consumer Safety Act (Ley Federal de Seguridad de Productos para el Consumidor).

Registro en línea en www.dewalt.com/register.

Garantía limitada por tres años

DEWALT reparará, sin cargo, cualquier falla que surja de defectos en el material o la fabricación del producto, por hasta tres años a contar de la fecha de compra. Esta garantía no cubre fallas de las piezas causadas por su desgaste normal o abuso a la herramienta. Para mayores detalles sobre la cobertura de la garantía e información acerca de reparaciones realizadas bajo garantía, visítenos en www.dewalt.com o diríjase al centro de servicio más cercano. Esta garantía no aplica a accesorios o a daños causados por reparaciones realizadas o intentadas por terceros. Esta garantía le otorga derechos legales específicos, además de los cuales puede tener otros dependiendo del estado o la provincia en que se encuentre.

Además de la garantía, las herramientas DEWALT están cubiertas por:

1 AÑO DE SERVICIO GRATUITO

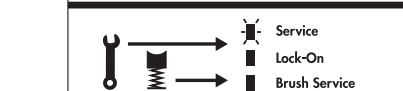
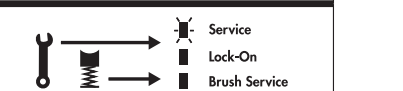
DEWALT mantendrá la herramienta y reemplazará las piezas gastadas por su uso normal, sin cobro, en cualquier momento durante un año a contar de la fecha de compra. Los artículos gastados por la clavadora, tales como la unidad de hoja y retorno del impulsador, no están cubiertas.

GARANTÍA DE REEMBOLSO DE SU DINERO POR 90 DÍAS

Si no está completamente satisfecho con el desempeño de su máquina herramienta, láser o clavadora DEWALT, cualquiera sea el motivo, podrá devolverlo hasta 90 días de la fecha de compra con su recibo y obtener el reembolso completo de su dinero – sin necesidad de responder a ninguna pregunta.

AMÉRICA LATINA: Esta garantía no se aplica a los productos que se venden en América Latina. Para los productos que se venden en América Latina, debe consultar la información de la garantía específica del país que viene en el empaque, llamar a la compañía local o visitar el sitio Web a fin de obtener esa información.

REEMPLAZO GRATUITO DE LAS ETIQUETAS DE ADVERTENCIAS: Si sus etiquetas de advertencia se vuelven ilegibles o faltan, llame al 1-800-4-DEWALT (1-800-433-9258) para que se le reemplacen gratuitamente.

CTC COMPLETE TORQUE CONTROL	DXXXXX
DXXXXX 2" (52mm) SDS MAX ROTARY HAMMER	SER. XXXXXXXXXX
SER. XXXXXXXXXX	
⚠️ADVERTENCIA TO REDUCE THE RISK OF INJURY, USER MUST READ INSTRUCTION MANUAL. ALWAYS USE PROPER EYE, EAR AND RESPIRATORY PROTECTION. ALWAYS USE SIDE HANDLE.	⚠️ADVERTENCIA LEA EL MANUAL DE INSTRUCCIONES PARA UN FUNCIONAMIENTO SEGURO. SIEMPRE UTILICE PROTECCIÓN ADECUADA PARA LOS OJOS, OÍDOS Y VÍAS RESPIRATORIAS. SIEMPRE UTILICE EL MANGO LATERAL.
⚠️ADVERTENCIA TO REDUCE THE RISK OF INJURY, USER MUST READ INSTRUCTION MANUAL. ALWAYS USE PROPER EYE, EAR AND RESPIRATORY PROTECTION. ALWAYS USE SIDE HANDLE.	⚠️ADVERTENCIA LEA EL MANUAL DE INSTRUCCIONES PARA UN FUNCIONAMIENTO SEGURO. SIEMPRE UTILICE PROTECCIÓN ADECUADA PARA LOS OJOS, OÍDOS Y VÍAS RESPIRATORIAS. SIEMPRE UTILICE EL MANGO LATERAL.
⚠️ADVERTISSEMENT AFIN DE MINIMISER LES RISQUES DE BLESSURES, L'UTILISATEUR DOIT LIRE LE GUIDE D'UTILISATION.TOUJOURS UTILISER UNE PROTECTION OCULAIRE, AUDITIVE ET RESPIRATOIRE ADEQUATE. UTILISER LA POIGNÉE LATÉRALE.	⚠️ADVERTISSEMENT AFIN DE MINIMISER LES RISQUES DE BLESSURES, L'UTILISATEUR DOIT LIRE LE GUIDE D'UTILISATION.TOUJOURS UTILISER UNE PROTECTION OCULAIRE, AUDITIVE ET RESPIRATOIRE ADEQUATE. UTILISER LA POIGNÉE LATÉRALE.
<small>DEWALT INDUSTRIAL TOOL CO., BALTIMORE, MD 21286 USA FOR SERVICE INFORMATION, CALL 1-800-4-DEWALT www.DEWALT.com</small>	<small>DEWALT INDUSTRIAL TOOL CO., BALTIMORE, MD 21286 USA FOR SERVICE INFORMATION, CALL 1-800-4-DEWALT www.DEWALT.com</small>
	

ESPECIFICACIONES

	D25721	D25762	D25871	D25891
Tensión de alimentación:	120 V AC ~	120 V AC ~	120 V AC ~	120 V AC ~
Consumo de corriente:	13 A	15 A	15 A	15 A
Frecuencia de alimentación:	60 Hz	60 Hz	60 Hz	60 Hz
Potencia nominal:	1 350 W	1 400 W	1 400 W	1 500 W
Rotación sin carga:	137–275/min	125–250/min	—	—
Golpes por minuto (bpm):	1 260–2 520	1 150–2 300	1 150–2 300	1 150–2 300

SOLAMENTE PARA PROPÓSITO DE MÉXICO:
IMPORTADO POR: DEWALT INDUSTRIAL TOOL CO. S.A. DE C.V.
AVENIDA ANTONIO DOVALI JAIME, # 70 TORRE B PISO 9
COLONIA LA FE, SANTA FÉ
CÓDIGO POSTAL : 01210
DELEGACIÓN ALVARO OBREGÓN
MÉXICO D.F.
TEL. (52) 555-326-7100
R.F.C.: BDE810626-1W7

Para servicio y ventas consulte
**"HERRAMIENTAS ELÉCTRICAS"
en la sección amarilla.**

