

DEWALT®

D25501

D25601

D25602

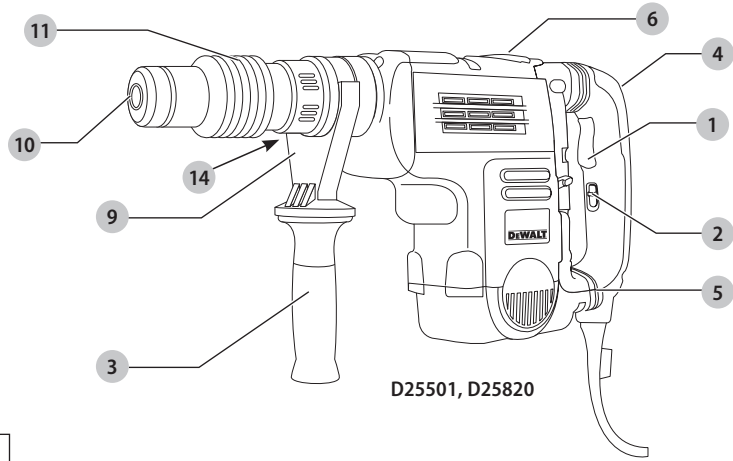
D25603

D25820

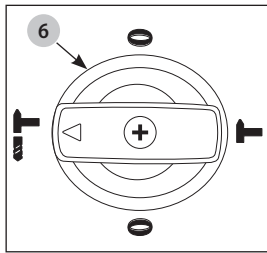
D25831

www.DEWALT.com

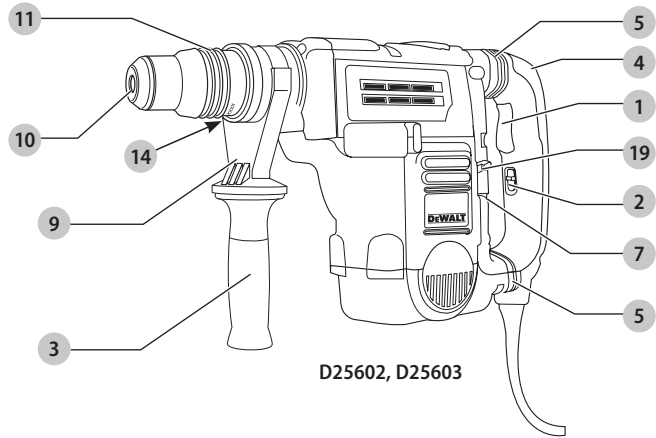
Fig. A



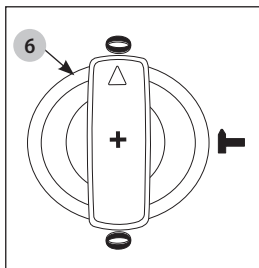
D25501, D25820



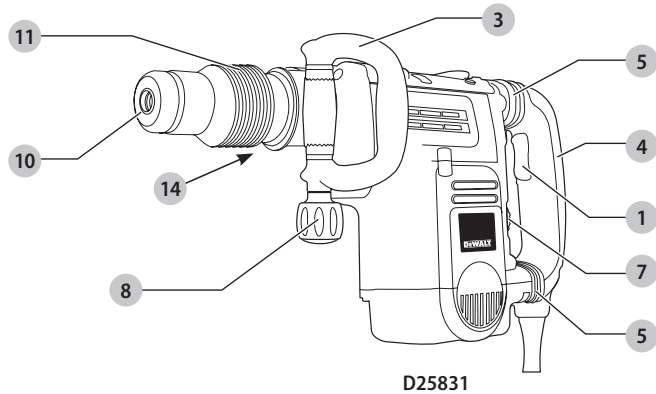
D25501



D25602, D25603



D25820, D25831



D25831

Fig. B

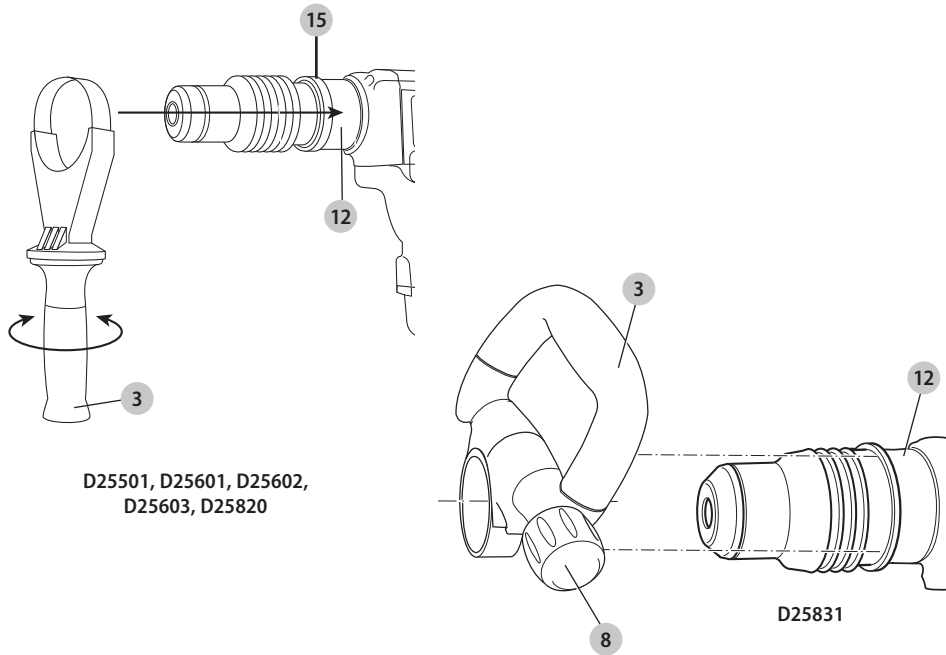


Fig. C

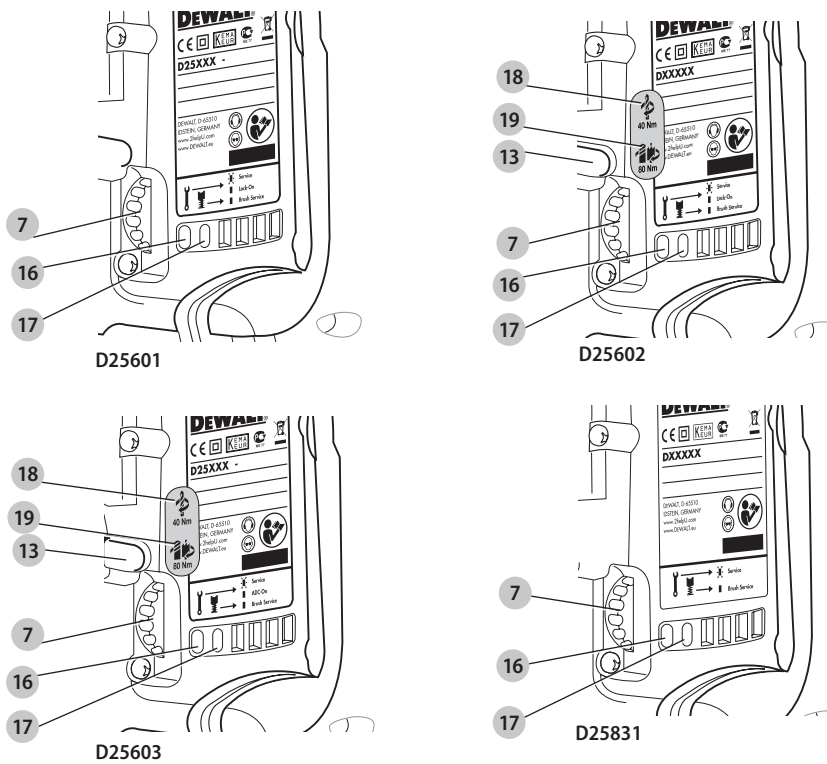


Fig. D

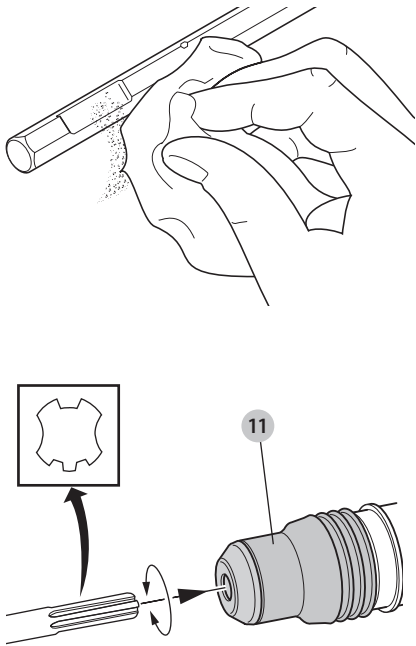


Fig. E

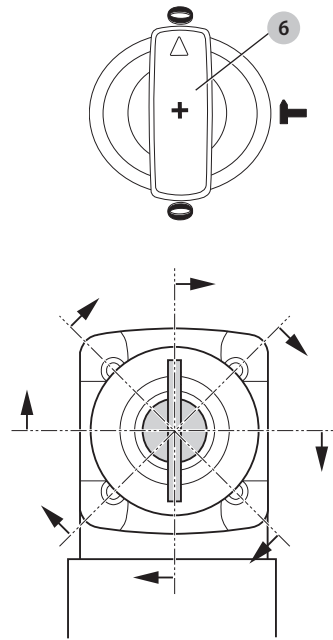
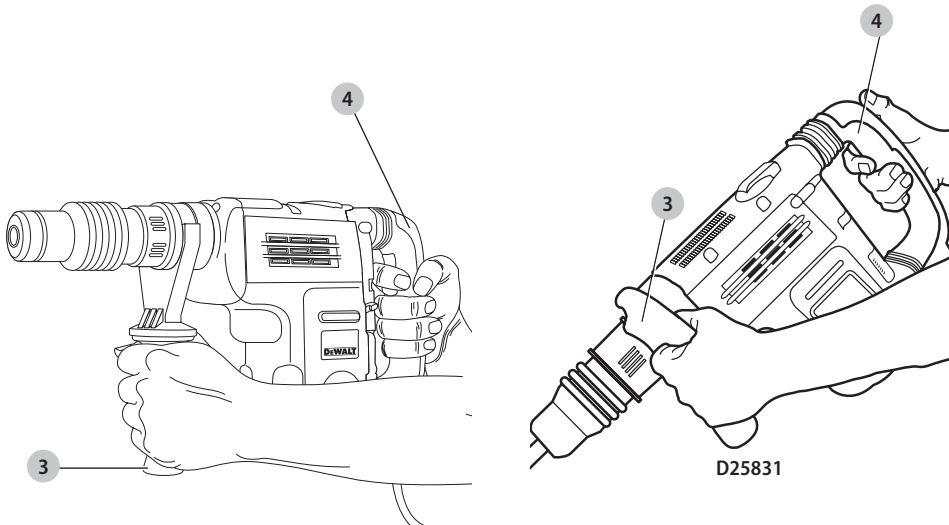


Fig. F



D25501, D25601, D25602,
D25603, D25820

SDS MAX® COMBINATION & CHIPPING HAMMERS

D25501, D25601, D25602, D25603, D25820, D25831

Congratulations!

You have chosen a DeWALT tool. Years of experience, thorough product development and innovation make DeWALT one of the most reliable partners for professional power tool users.

Technical Data

		D25501	D25601	D25602	D25603	D25820	D25831
Voltage	V _{AC}	230	230	230	230	230	230
UK & Ireland	V _{AC}	230/115	230/115	230/115	230	230/115	230/115
Type		2	2	2	2	2	2
Power input	W	1100	1250	1250	1250	1150	1250
Frequency	Hz	50	50	50	50	50	50
Single impact energy (EPTA 05/2009)	J	8	2–8	2–8	2–8	8	2–8
No load speed	min ⁻¹	490	210–415	210–415	210–415	–	–
No load beats per-minute	bpm	3300	1430–2840	1430–2840	1430–2840	2740	1430–2840
Total drilling range in concrete:							
solid bits	mm	12–40	12–45	12–45	12–45	–	–
core bits	mm	40–90	40–100	40–100	40–100	–	–
Optimum drilling range in concrete:							
solid bits	mm	18–26	25–35	25–35	25–35	–	–
Chisel positions		18	18	18	18	18	18
Tool holder		SDS Max®	SDS Max®	SDS Max®	SDS Max®	SDS Max®	SDS Max®
Weight	kg	6.15	6.8	6.9	6.95	5.8	6.1
Noise values and vibration values (triax vector sum) according to EN60745-2-6:							
L _{PA} (emission sound pressure level)	dB(A)	94	94	93	93	94	95
L _{WA} (sound power level)	dB(A)	105	105	104	104	105	106
K (uncertainty for the given sound level)	dB(A)	3	3	3	3	3	3
Drilling into concrete							
Vibration emission value a _{h, HD} =	m/s ²	18.3	8.8	8.7	8.7	–	–
Uncertainty K =	m/s ²	1.8	1.5	1.5	1.5	–	–
Chiselling							
Vibration emission value a _{h, Cheq} =	m/s ²	13.2	7.2	6.8	6.8	13.2	8.3
Uncertainty K =	m/s ²	1.6	1.5	1.5	1.5	1.6	1.5

The vibration emission level given in this information sheet has been measured in accordance with a standardised test given in EN60745 and may be used to compare one tool with another. It may be used for a preliminary assessment of exposure.



WARNING: The declared vibration emission level represents the main applications of the tool. However if the tool is used for different applications, with different accessories or poorly maintained, the vibration emission may differ. This may significantly increase the exposure level over the total working period.

An estimation of the level of exposure to vibration should also take into account the times when the tool is switched off or when it is running but not actually doing the job. This may significantly reduce the exposure level over the total working period.

Identify additional safety measures to protect the operator from the effects of vibration such as: maintain the tool and the accessories, keep the hands warm, organisation of work patterns.

EC-Declaration of Conformity

Machinery Directive



SDS Max® Combination & Chipping Hammers

D25501, D25601, D25602, D25603

DeWALT declares that these products described under **Technical Data** are in compliance with:

2006/42/EC, EN60745-1:2009+A11:2010, EN60745-2-6:2010.

D25820, D25831

2000/14/EC Electrical concrete breaker (hand held) m </= 15kg, Annex VIII; TÜV Rheinland LGA Products GmbH (0197), D-90431 Nürnberg, Germany
Notified Body ID No.: 0197

Level of sound power according to 2000/14/EC (Article 12, Annex III, No. 10; m </= 15 kg)

L _{WA} (measured sound power level)	dB	102
L _{WA} (guaranteed sound power level)	dB	105

These products also comply with Directive 2014/30/EU and 2011/65/EU. For more information, please contact DeWALT at the following address or refer to the back of the manual.

The undersigned is responsible for compilation of the technical file and makes this declaration on behalf of DeWALT.



Markus Rompel
Director Engineering
DeWALT, Richard-Klinger-Straße 11,
D-65510, Idstein, Germany
08.03.2017



WARNING: To reduce the risk of injury, read the instruction manual.

Definitions: Safety Guidelines

The definitions below describe the level of severity for each signal word. Please read the manual and pay attention to these symbols.



DANGER: Indicates an imminently hazardous situation which, if not avoided, **will result in death or serious injury**.



WARNING: Indicates a potentially hazardous situation which, if not avoided, **could result in death or serious injury**.



CAUTION: Indicates a potentially hazardous situation which, if not avoided, **may result in minor or moderate injury**.

NOTICE: Indicates a practice **not related to personal injury** which, if not avoided, **may result in property damage**.



Denotes risk of electric shock.



Denotes risk of fire.

General Power Tool Safety Warnings



WARNING: Read all safety warnings and all instructions. Failure to follow the warnings and instructions may result in electric shock, fire and/or serious injury.

SAVE ALL WARNINGS AND INSTRUCTIONS FOR FUTURE REFERENCE

The term "power tool" in the warnings refers to your mains-operated (corded) power tool or battery-operated (cordless) power tool.

1) Work area safety

- Keep work area clean and well lit.** Cluttered or dark areas invite accidents.
- Do not operate power tools in explosive atmospheres, such as in the presence of flammable liquids, gases or dust.** Power tools create sparks which may ignite the dust or fumes.
- Keep children and bystanders away while operating a power tool.** Distractions can cause you to lose control.

2) Electrical safety

- Power tool plugs must match the outlet. Never modify the plug in any way. Do not use any adapter plugs with earthed (grounded) power tools.** Unmodified plugs and matching outlets will reduce risk of electric shock.
- Avoid body contact with earthed or grounded surfaces such as pipes, radiators, ranges and refrigerators.** There is an increased risk of electric shock if your body is earthed or grounded.
- Do not expose power tools to rain or wet conditions.** Water entering a power tool will increase the risk of electric shock.
- Do not abuse the cord. Never use the cord for carrying, pulling or unplugging the power tool. Keep cord away from heat,**

oil, sharp edges or moving parts. Damaged or entangled cords increase the risk of electric shock.

- When operating a power tool outdoors, use an extension cord suitable for outdoor use.** Use of a cord suitable for outdoor use reduces the risk of electric shock.
- If operating a power tool in a damp location is unavoidable, use a residual current device (RCD) protected supply.** Use of an RCD reduces the risk of electric shock.

3) Personal safety

- Stay alert, watch what you are doing and use common sense when operating a power tool. Do not use a power tool while you are tired or under the influence of drugs, alcohol or medication.** A moment of inattention while operating power tools may result in serious personal injury.
- Use personal protective equipment. Always wear eye protection.** Protective equipment such as dust mask, non-skid safety shoes, hard hat, or hearing protection used for appropriate conditions will reduce personal injuries.
- Prevent unintentional starting. Ensure the switch is in the off position before connecting to power source and/or battery pack, picking up or carrying the tool.** Carrying power tools with your finger on the switch or energising power tools that have the switch on invites accidents.
- Remove any adjusting key or wrench before turning the power tool on.** A wrench or a key left attached to a rotating part of the power tool may result in personal injury.
- Do not overreach. Keep proper footing and balance at all times.** This enables better control of the power tool in unexpected situations.
- Dress properly. Do not wear loose clothing or jewellery. Keep your hair, clothing and gloves away from moving parts.** Loose clothes, jewellery or long hair can be caught in moving parts.
- If devices are provided for the connection of dust extraction and collection facilities, ensure these are connected and properly used.** Use of dust collection can reduce dust-related hazards.

4) Power tool use and care

- Do not force the power tool. Use the correct power tool for your application.** The correct power tool will do the job better and safer at the rate for which it was designed.
- Do not use the power tool if the switch does not turn it on and off.** Any power tool that cannot be controlled with the switch is dangerous and must be repaired.
- Disconnect the plug from the power source and/or the battery pack from the power tool before making any adjustments, changing accessories, or storing power tools.** Such preventive safety measures reduce the risk of starting the power tool accidentally.
- Store idle power tools out of the reach of children and do not allow persons unfamiliar with the power tool or these instructions to operate the power tool.** Power tools are dangerous in the hands of untrained users.
- Maintain power tools. Check for misalignment or binding of moving parts, breakage of parts and any other condition that may affect the power tool's operation. If damaged, have the power tool repaired before use.** Many accidents are caused by poorly maintained power tools.
- Keep cutting tools sharp and clean.** Properly maintained cutting tools with sharp cutting edges are less likely to bind and are easier to control.
- Use the power tool, accessories and tool bits etc., in accordance with these instructions taking into account the working conditions and the work to be performed.** Use of the power tool for operations different from those intended could result in a hazardous situation.

5) Service

- a) **Have your power tool serviced by a qualified repair person using only identical replacement parts.** This will ensure that the safety of the power tool is maintained.

Additional Safety Instructions for Rotary Hammers

- **Wear ear protectors.** Exposure to noise can cause hearing loss.
- **Use auxiliary handle 3, if supplied with the tool. Loss of control can cause personal injury.**
- **Hold power tool by insulated gripping surfaces, when performing an operation where the cutting accessory may contact hidden wiring or its own cord. Cutting accessory contacting a "live" wire may make exposed metal parts of the power tool "live" and could give the operator an electric shock.**

WARNING: We recommend the use of a residual current device with a residual current rating of 30mA or less.


Residual Risks

In spite of the application of the relevant safety regulations and the implementation of safety devices, certain residual risks cannot be avoided. These are:

- Impairment of hearing.
- Risk of personal injury due to flying particles.
- Risk of burns due to accessories becoming hot during operation.
- Risk of personal injury due to prolonged use.

Electrical Safety

The electric motor has been designed for one voltage only. Always check that the power supply corresponds to the voltage on the rating plate.

 Your DeWALT tool is double insulated in accordance with EN60745; therefore no earth wire is required.

WARNING: 115 V units have to be operated via a fail-safe isolating transformer with an earth screen between the primary and secondary winding.

If the supply cord is damaged, it must be replaced by a specially prepared cord available through the DeWALT service organisation.

Mains Plug Replacement (U.K. & Ireland Only)

If a new mains plug needs to be fitted:

- Safely dispose of the old plug.
- Connect the brown lead to the live terminal in the plug.
- Connect the blue lead to the neutral terminal.

WARNING: No connection is to be made to the earth terminal.

Follow the fitting instructions supplied with good quality plugs. Recommended fuse: 13 A.

Using an Extension Cable

An extension cord should not be used unless absolutely necessary. Use an approved extension cable suitable for the power input of your charger (see **Technical Data**). The minimum conductor size is 1.5 mm²; the maximum length is 30 m.

When using a cable reel, always unwind the cable completely.

Package Contents

The package contains:

- 1 Rotary hammer (D25501, D25601, D25602, D25603)
- or
- 1 Chipping hammer (D25820, D25831)
- 1 Side handle
- 1 Kitbox (K-models only)
- 1 Instruction manual

- Check for damage to the tool, parts or accessories which may have occurred during transport.
- Take the time to thoroughly read and understand this manual prior to operation.

Markings on Tool

The following pictograms are shown on the tool:



Read instruction manual before use.



Wear ear protection.



Wear eye protection.



Clutch Setting 40 Nm is designed for most drilling applications.



Clutch Setting 80 Nm is designed for higher torque applications.



Red service indicator LED. For detailed description see under **Service Indicator LED's**.



Yellow service indicator LED. For detailed description see under **Service Indicator LED's**.



Visible radiation. Do not stare into light.

Date Code Position (Fig. A)

The date code **14**, which also includes the year of manufacture, is printed into the housing.

Example:

2017 XX XX

Year of Manufacture

Description (Fig. A, B)

WARNING: Never modify the power tool or any part of it. Damage or personal injury could result.

- 1 Trigger switch (D25501, D25601, D25602, D25603)
On/off rocker switch (D25820, D25831)
- 2 Lock-on slider (D25601, D25602, D25603)
- 3 Side handle
- 4 Main handle
- 5 Active vibration control (D25601, D25602, D25603, D25831)
- 6 Mode selector switch
- 7 Electronic speed and impact control dial (D25601, D25602, D25603, D25831)
- 8 Side handle knob (D25831)
- 9 Side handle clamp (D25501, D25601, D25602, D25603, D25820)
- 10 Tool holder
- 11 Locking sleeve

Intended Use

The D25501, D25601, D25602, D25603 rotary hammers have been designed for professional rotary drilling and chipping applications.

The D25820, D25831 chipping hammers have been designed for professional chipping, chiselling and demolition applications.

DO NOT use under wet conditions or in the presence of flammable liquids or gases.

These hammers are professional power tools.

DO NOT let children come into contact with the tool. Supervision is required when inexperienced operators use this tool.

- **Young children and the infirm.** This appliance is not intended for use by young children or infirm persons without supervision.
- This product is not intended for use by persons (including children) suffering from diminished physical, sensory or mental abilities; lack of experience, knowledge or skills unless they are supervised by a person responsible for their safety. Children should never be left alone with this product.

Soft Start Feature

D25601, D25602, D25603, D25831

The soft start feature allows the tool to accelerate slowly, thus preventing the drill bit from walking off the intended hole position when starting.

The soft start feature also reduces the immediate torque reaction transmitted to the gearing and the operator if the hammer is started with the drill bit in an existing hole.

Electronic Speed and Impact Control (Fig. A, C)

D25601, D25602, D25603, D25831

The electronic speed and impact control **7** offers the following advantages:

- use of smaller accessories without risk of breakage;
- minimised break-out when chiselling or drilling in soft or brittle materials;
- optimal tool control for precise chiselling.

Torque Limiting Clutch

 **WARNING:** The user must always maintain a firm grip on the tool when in operation.

The torque limiting clutch reduces the maximum torque reaction transmitted to the operator in case of jamming of a drill bit. This feature also prevents the gearing and electric motor from stalling.

NOTICE: Always turn the tool off before changing torque control settings or damage to tool may result.

Complete Torque Control (CTC) (Fig. C) D25602

Complete Torque Control (CTC) offers the user a two-stage mechanical clutch with adjustable torque options. Adjusting the torque provides increased control for various applications.

The low setting (40 Nm) allows the tool to operate at a reduced torque level increasing control for many solid drilling applications. The high setting (80 Nm) is available for more demanding applications such as core drilling and the use of large diameter solid bits.

Refer to **Setting the Two Stage Mechanical Clutch** for more information.

Ultimate Torque Control (UTC) (Fig. C) D25603

In addition to the two-stage mechanical clutch, Ultimate Torque Control (UTC) offers increased user comfort and safety through an on-board, anti-rotation technology capable of detecting if the user loses control of the hammer. When a jam is detected, the torque and speed are reduced instantly. This feature prevents self rotation of the tool reducing the occurrence of wrist injuries.

Service Indicator LEDs (Fig. A, C)

D25601, D25602, D25603, D25831

The yellow brushwear indicator LED **17** lights up when the carbon brushes are nearly worn out to indicate that the tool needs servicing within the next 8 hours of use.

D25601, D25602, D25603

The red service indicator LED **16** lights up if the lock-on button **2** is used in any mode except the chipping mode. On models fitted with Ultimate Torque Control (UTC), the red LED indicator **16** lights up if the anti-rotational device is activated. The red indicator starts to flash if there is a fault with the tool or the brushes have completely worn out (refer to **Brushes** under **Maintenance**).

D25831


The red service indicator LED **16** lights up if there is a fault with the tool or the brushes have completely worn out (refer to **Brushes** under **Maintenance**).

Fully Vibration-Dampened Main Handle (Fig. A)

D25601, D25602, D25603, D25831

The dampers in the main handle **4** absorb the vibrations transmitted to the user. This improves user comfort during the operation.

ASSEMBLY AND ADJUSTMENTS

 **WARNING:** To reduce the risk of serious personal injury, turn tool off and disconnect tool from power source before making any adjustments or removing/installing attachments or accessories. Be sure the trigger switch is in the OFF position. An accidental start-up can cause injury.

Fitting the Side Handle (Fig. B)

The side handle **3** clamps to the mounting area **12** of the gear case and may be rotated 360° to permit right- or left-hand use. The side handle must be tightened sufficiently to resist the twisting action of the tool if the accessory binds or stalls. Be sure to grip the side handle at the far end to control the tool during a stall.


To loosen side handle, rotate counterclockwise.


Inserting and Removing SDS Max® Accessories (Fig. A, D)

This machine uses SDS Max® bits and chisels (refer to the inset in figure DB for a cross-section of an SDS Max® bit shank).

1. Clean the bit shank.
2. Pull back the locking sleeve **11** and insert the bit shank.
3. Turn the bit slightly until the sleeve snaps into position.
4. Pull on the bit, to check if it is properly locked. The hammering function requires the bit to be able to move axially several centimetres when locked in the tool holder.
5. To remove a bit pull back the tool holder locking sleeve/collar **11** and pull the bit out of the tool holder **10**.

Selecting the Operating Mode (Fig. A)

 **Hammerdrilling:**
D25501, D25601, D25602, D25603
for concrete, brick, stone and masonry drilling operations.

 **Hammering only:**
D25501, D25601, D25602, D25603, D25820, D25831
for chiselling and demolition applications. In this mode the tool can also be used as a lever to free a jammed drill bit.

1. To select the operating mode, rotate the mode selector switch **6** until it points to the symbol of the required mode.
It may be necessary to twist the tool holder **10** slightly to allow the mode selector switch **6** to pass the **0** position.
2. Check that the mode selector switch **6** is locked in place.

Indexing the Chisel Position (Fig. E)

D25501, D25601, D25602, D25603, D25820, D25831

The chisel can be indexed and locked into 18 different positions.

1. Rotate the mode selector switch **6** until it points towards the **0** position.
2. Rotate the chisel in the desired position.
3. Set the mode selector switch **6** to the "hammering only" position.
4. Twist the chisel until it locks in position.

Setting the Electronic Speed and Impact Control Dial (Fig. A, C)

D25601, D25602, D25603, D25831

Turn the dial 7 to the desired level. Turn the dial upwards for higher speed and downwards for lower speed. The required setting is a matter of experience, e.g.

- when chiselling or drilling in soft, brittle materials or when minimum break-out is required, set the dial to a low setting;
- when breaking or drilling in harder materials, set the dial to a high setting.

Setting the Two Stage Mechanical Clutch (Fig. C)

D25602, D25603

NOTICE: Always turn the tool off before changing torque control settings or damage to the tool may result.

Move the torque control lever 13 to setting 40 Nm or 80 Nm as needed for application.

- Clutch Setting 40 Nm 18 is designed for most drilling applications and is designed to easily clutch out when the drill bit encounters re-bar or other foreign substances.
- Clutch Setting 80 Nm 19 is designed for higher torque applications such as core-bits and deep hole drilling and is designed to clutch out at a higher torque threshold.

NOTE: If it is not possible to select position 80 Nm, run the unit under load and try again.

Each time the tool is plugged in, it will automatically default to clutch setting 1 into clutch setting 40 Nm 18, the most sensitive setting.

Depth Rod

(Additional Accessory)

1. Push in and hold the depth rod release button on the side handle.
2. Move the depth rod so the distance between the end of the rod and the end of the bit equals the desired drilling depth.
3. Release the button to lock rod into position. When drilling with the depth rod, stop when end of rod reaches surface of material.

OPERATION

Instructions for Use

WARNING: Always observe the safety instructions and applicable regulations.

WARNING: To reduce the risk of serious personal injury, turn tool off and disconnect tool from power source before making any adjustments or removing/installing attachments or accessories. Be sure the trigger switch is in the OFF position. An accidental start-up can cause injury.

WARNING: Tool bits may be hot and gloves should be worn when changing or removing them to avoid personal injury.

WARNING:

- Be aware of the location of pipework and wiring.
- Apply only a gentle pressure to the tool (approximately 20 kg). Excessive force does not speed up drilling but decreases tool performance and may shorten tool life.
- Always hold the tool firmly with both hands and ensure a secure stance. Always operate the tool with the side handle properly assembled.

NOTE: Operating temperature is -7° to +40°C (19° to 104°F). Using the tool outside of this temperature range will decrease the life of the tool.

Proper Hand Position (Fig. F)

WARNING: To reduce the risk of serious personal injury, ALWAYS use proper hand position as shown.

WARNING: To reduce the risk of serious personal injury, ALWAYS hold securely in anticipation of a sudden reaction.

Proper hand position requires one hand on the side handle 3, with the other hand on the main handle 4.

Switching On and Off (Fig. A)

D25501, D25601, D25602, D25603

To turn the tool on, depress the trigger switch 1.

To stop the tool, release the trigger switch.

D25601, D25602, D25603

The lock-on slider 2 allows the trigger switch 1 to be locked on in chiselling mode only. If the lock-on button is activated in drilling mode, as a feature the tool will switch off automatically.

To turn the tool on, press the trigger switch 1.

To stop the tool, release the switch.

For continuous operation, press and hold down the switch 1, slide the lock-on button 2 upwards and release the switch.

To stop the tool in continuous operation, press the switch briefly and release it. Always switch off the tool when work is finished and before unplugging.

D25820, D25831

To turn the tool on, press the on/off rocker switch 1 at the lower part of the trigger.

To stop the tool, press the on/off rocker switch at the upper part of the trigger.

Hammerdrilling

To turn the tool on, press the on/off switch 1.

To stop the tool, release the switch.

Drilling with a Solid Bit (Fig. A)

D25501, D25601, D25602, D25603

1. Insert the appropriate drill bit.
2. Set the mode selector switch 6 to the hammerdrilling position.
3. D25601, D25602, D25603 only: Set the electronic speed and impact control dial 7.
4. Fit and adjust the side handle 3.
5. Mark the spot where the hole is to be drilled.
6. Place the drill bit on the spot and switch on the tool.
7. Always switch off the tool when work is finished and before unplugging.

Drilling with a Core Bit (Fig. A)

1. Insert the appropriate core bit.
2. Assemble the centerdrill into the core bit.
3. Set the mode selector switch 6 to the hammerdrilling position.
4. D25601, D25602, D25603 only: Turn the electronic speed and impact control dial 7 to a medium or high speed setting.
5. Fit and adjust the side handle 3.
6. Place the centerdrill on the spot and switch on the tool. Drill until the core penetrates into the concrete approximately 1 cm.
7. Stop the tool and remove the centerdrill. Place the core bit back into the hole and continue drilling.
8. When drilling through a structure thicker than the depth of the core bit, break away the round cylinder of concrete or core inside the bit at regular intervals.
To avoid unwanted breaking away of concrete around the hole, first drill

a hole the diameter of the centerdrill completely through the structure. Then drill the cored hole halfway from each side.

9. Always turn the tool off when work is finished and before unplugging.

Chipping and Chiselling (Fig. A)

D25501, D25601, D25602, D25603, D25820, D25831

1. Insert the appropriate chisel and rotate it by hand to lock it into one of 18 positions.
2. Set the mode selector switch **6** to the hammering only position.
3. D25601, D25602, D25603, D25831 only: Set the electronic speed and impact control dial **7**.
4. Fit and adjust the side handle **3**.
5. Turn the tool on and start working.
6. Always turn the tool off when work is finished and before unplugging.

MAINTENANCE

Your DeWALT power tool has been designed to operate over a long period of time with a minimum of maintenance. Continuous satisfactory operation depends upon proper tool care and regular cleaning.



WARNING: To reduce the risk of serious personal injury, turn tool off and disconnect tool from power source before making any adjustments or removing/installing attachments or accessories. Be sure the trigger switch is in the OFF position. An accidental start-up can cause injury.

Brushes (Fig. C)

The carbon brushes are not user-serviceable. Take the tool to an authorized DeWALT repair agent.

The yellow brushwear indicator LED **17** lights up when the carbon brushes are nearly worn out. After a further 8 hours of use or after the brushes have completely worn out, the motor will automatically be shut off.

Tool maintenance needs to be carried out as soon as the service indicator **16** lights up.



Lubrication

Your power tool requires no additional lubrication.



Cleaning



WARNING: Blow dirt and dust out of the main housing with dry air as often as dirt is seen collecting in and around the air vents. Wear approved eye protection and approved dust mask when performing this procedure.



WARNING: Never use solvents or other harsh chemicals for cleaning the non-metallic parts of the tool. These chemicals may weaken the materials used in these parts. Use a cloth dampened only with water and mild soap. Never let any liquid get inside the tool; never immerse any part of the tool into a liquid.

Optional Accessories



WARNING: Since accessories, other than those offered by DeWALT, have not been tested with this product, use of such accessories with this tool could be hazardous. To reduce the risk of injury, only DeWALT recommended accessories should be used with this product.

Consult your dealer for further information on the appropriate accessories.

Protecting the Environment



Separate collection. Products and batteries marked with this symbol must not be disposed of with normal household waste.

Products and batteries contain materials that can be recovered or recycled reducing the demand for raw materials. Please recycle electrical products and batteries according to local provisions. Further information is available at www.2helpU.com.

Belgique et Luxembourg België en Luxemburg	DeWALT - Belgium BVBA Egide Walschaertsstraat 16 2800 Mechelen	Tel: NL 32 15 47 37 63 Tel: FR 32 15 47 37 64 Fax: 32 15 47 37 99	www.dewalt.be enduser.BE@sbdinc.com
Danmark	DeWALT Roskildevej 22 2620 Albertslund	Tel: 70 20 15 10 Fax: 70 22 49 10	www.dewalt.dk kundeservice.dk@sbdinc.com
Deutschland	DeWALT Richard Klinger Str. 11 65510 Idstein	Tel: 06126-21-1 Fax: 06126-21-2770	www.dewalt.de infodwge@sbdinc.com
Ελλάς	DeWALT (Ελλάς) Α.Ε. ΕΔΡΑ-ΓΡΑΦΕΙΑ : Στράβωνος 7 & Λ. Βουλιαγμένης, Γλυφάδα 166 74, Αθήνα SERVICE : Ημέρος Τόπος 2 (Χάνι Αδάμ) – 193 00 Ασπρόπυργος	Τηλ: 00302108981616 Φαξ: 00302108983570	www.dewalt.gr Greece.Service@sbdinc.com
España	DeWALT Ibérica, S.C.A. Parc de Negocios "Mas Blau" Edificio Muntadas, c/Bergadá, 1, Of. A6 08820 El Prat de Llobregat (Barcelona)	Tel: 934 797 400 Fax: 934 797 419	www.dewalt.es respuesta.postventa@sbdinc.com
France	DeWALT 5, allée des Hêtres BP 30084, 69579 Limonest Cedex	Tel: 04 72 20 39 20 Fax: 04 72 20 39 00	www.dewalt.fr scufr@sbdinc.com
Schweiz Suisse Svizzera	DeWALT In der Luberzen 42 8902 Urdorf	Tel: 044 - 755 60 70 Fax: 044 - 730 70 67	www.dewalt.ch service@rofoag.ch
Ireland	DeWALT Calpe House Rock Hill Black Rock, Co. Dublin	Tel: 00353-2781800 Fax: 00353-2781811	www.dewalt.ie
Italia	DeWALT via Energypark 20871 Vimercate (MB), IT	Tel: 800-014353 39 039 9590200 Fax: 39 039 9590313	www.dewalt.it
Nederlands	DeWALT Netherlands BV Holtum Noordweg 35 6121 RE BORN, Postbus 83, 6120 AB BORN	Tel: 31 164 283 063 Fax: 31 164 283 200	www.dewalt.nl
Norge	DeWALT Postboks 4613, Nydalen 0405 Oslo	Tel: 45 25 13 00 Fax: 45 25 08 00	www.dewalt.no kundeservice.no@sbdinc.com
Österreich	DeWALT Werkzeug Vertriebsges m.b.H Oberlaaerstrasse 248, A-1230 Wien	Tel: 01 - 66116 - 0 Fax: 01 - 66116 - 614	www.dewalt.at service.austria@sbdinc.com
Portugal	DeWALT Limited, SARL Centro de Escritórios de Sintra Avenida Almirante Gago Coutinho, 132/134, Edifício 14 2710-418 Sintra	Tel: 214 66 75 00 Fax: 214 66 75 80	www.dewalt.pt resposta.posvenda@sbdinc.com
Suomi	DeWALT PL 47 00521 Helsinki	Puh: 010 400 4333 Faksi: 0800 411 340	www.dewalt.fi asiakaspalvelu.fi@sbdinc.com
Sverige	DeWALT Box 94 431 22 Mölndal	Tel: 031 68 61 60 Fax: 031 68 60 08	www.dewalt.se kundservice.se@sbdinc.com
Türkiye	KALE Hırdavat ve Makina A.Ş. Defterdar Mah. Savaklar Cad. No:15 Edirnekapı / Eyüp / İSTANBUL 34050 TÜRKİYE	Tel: 0212 533 52 55 Faks: 0212 533 10 05	www.dewalt.com.tr
United Kingdom	DeWALT, 210 Bath Road; Slough, Berks SL1 3YD	Tel: 01753-567055 Fax: 01753-572112	www.dewalt.co.uk emeaservice@sbdinc.com
Australia	DeWALT 82 Taryn Drive, Epping VIC 3076 Australia	Tel: Aust 1800 338 002 Tel: NZ 0800 339 258	www.dewalt.com.au www.dewalt.co.nz
Middle East Africa	DeWALT P.O. Box - 17164, Jebel Ali Free Zone (South), Dubai, UAE	Tel: 971 4 812 7400 Fax: 971 4 2822765	www.dewalt.ae Service.MEA@sbdinc.com