

*If you have questions or comments, contact us.
Pour toute question ou tout commentaire, nous contacter.
Si tiene dudas o comentarios, contáctenos.*

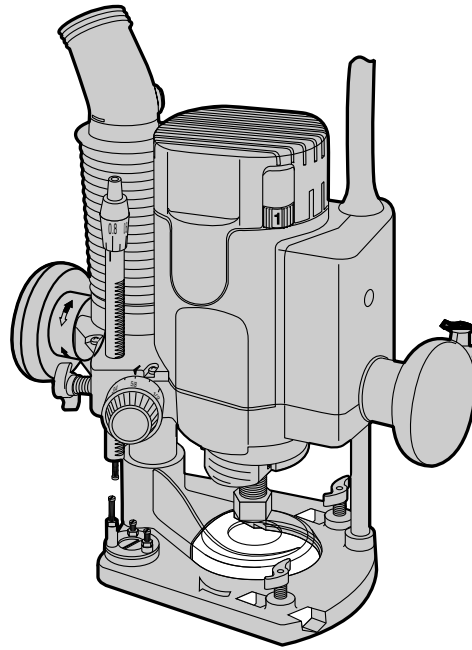
1-800-4-DEWALT • www.dewalt.com

**INSTRUCTION MANUAL
GUIDE D'UTILISATION
MANUAL DE INSTRUCCIONES**

INSTRUCTIVO DE OPERACIÓN, CENTROS DE SERVICIO Y PÓLIZA DE GARANTÍA. **ADVERTENCIA:** LÉASE ESTE INSTRUCTIVO ANTES DE USAR EL PRODUCTO.

DEWALT®

**DW621 Plunge 2 HP Router
Toupie plongeante de 2HP
Rebajadora de columnas de 2 HP**



Definitions: Safety Guidelines

The definitions below describe the level of severity for each signal word. Please read the manual and pay attention to these symbols.

⚠ DANGER: Indicates an imminently hazardous situation which, if not avoided, **will** result in **death or serious injury**.

⚠ WARNING: Indicates a potentially hazardous situation which, if not avoided, **could** result in **death or serious injury**.

⚠ CAUTION: Indicates a potentially hazardous situation which, if not avoided, **may** result in **minor or moderate injury**.

NOTICE: Indicates a practice **not related to personal injury** which, if not avoided, **may** result in **property damage**.

IF YOU HAVE ANY QUESTIONS OR COMMENTS ABOUT THIS OR ANY DEWALT TOOL, CALL US TOLL FREE AT: **1-800-4-DEWALT (1-800-433-9258)**.



WARNING: To reduce the risk of injury, read the instruction manual.

General Power Tool Safety Warnings



WARNING! Read all safety warnings and all instructions.

Failure to follow the warnings and instructions may result in electric shock, fire and/or serious injury.

SAVE ALL WARNINGS AND INSTRUCTIONS FOR FUTURE REFERENCE

The term "power tool" in the warnings refers to your mains-operated (corded) power tool or battery-operated (cordless) power tool.

1) WORK AREA SAFETY

- Keep work area clean and well lit.** Cluttered or dark areas invite accidents.
- Do not operate power tools in explosive atmospheres, such as in the presence of flammable liquids, gases or dust.** Power tools create sparks which may ignite the dust or fumes.
- Keep children and bystanders away while operating a power tool.** Distractions can cause you to lose control.

2) ELECTRICAL SAFETY

- Power tool plugs must match the outlet. Never modify the plug in any way. Do not use any adapter plugs with earthed (grounded) power tools.** Unmodified plugs and matching outlets will reduce risk of electric shock.
- Avoid body contact with earthed or grounded surfaces such as pipes, radiators, ranges and refrigerators.** There is an increased risk of electric shock if your body is earthed or grounded.
- Do not expose power tools to rain or wet conditions.** Water entering a power tool will increase the risk of electric shock.
- Do not abuse the cord. Never use the cord for carrying, pulling or unplugging the power tool. Keep cord away from heat, oil, sharp edges or moving parts.** Damaged or entangled cords increase the risk of electric shock.
- When operating a power tool outdoors, use an extension cord suitable for outdoor use.** Use of a cord suitable for outdoor use reduces the risk of electric shock.
- If operating a power tool in a damp location is unavoidable, use a ground fault circuit interrupter (GFCI) protected supply.** Use of a GFCI reduces the risk of electric shock.

3) PERSONAL SAFETY

- Stay alert, watch what you are doing and use common sense when operating a power tool. Do not use a**

power tool while you are tired or under the influence of drugs, alcohol or medication. A moment of inattention while operating power tools may result in serious personal injury.

- b) **Use personal protective equipment. Always wear eye protection.** Protective equipment such as dust mask, non-skid safety shoes, hard hat, or hearing protection used for appropriate conditions will reduce personal injuries.
 - c) **Prevent unintentional starting. Ensure the switch is in the off position before connecting to power source and/or battery pack, picking up or carrying the tool.** Carrying power tools with your finger on the switch or energizing power tools that have the switch on invites accidents.
 - d) **Remove any adjusting key or wrench before turning the power tool on.** A wrench or a key left attached to a rotating part of the power tool may result in personal injury.
 - e) **Do not overreach. Keep proper footing and balance at all times.** This enables better control of the power tool in unexpected situations.
 - f) **Dress properly. Do not wear loose clothing or jewelry. Keep your hair, clothing and gloves away from moving parts.** Loose clothes, jewelry or long hair can be caught in moving parts.
 - g) **If devices are provided for the connection of dust extraction and collection facilities, ensure these are connected and properly used.** Use of dust collection can reduce dust-related hazards.
- 4) POWER TOOL USE AND CARE**
- a) **Do not force the power tool. Use the correct power tool for your application.** The correct power tool will do the job better and safer at the rate for which it was designed.
 - b) **Do not use the power tool if the switch does not turn it on and off.** Any power tool that cannot be controlled with the switch is dangerous and must be repaired.

- c) **Disconnect the plug from the power source and/or the battery pack from the power tool before making any adjustments, changing accessories, or storing power tools.** Such preventive safety measures reduce the risk of starting the power tool accidentally.
- d) **Store idle power tools out of the reach of children and do not allow persons unfamiliar with the power tool or these instructions to operate the power tool.** Power tools are dangerous in the hands of untrained users.
- e) **Maintain power tools. Check for misalignment or binding of moving parts, breakage of parts and any other condition that may affect the power tool's operation. If damaged, have the power tool repaired before use.** Many accidents are caused by poorly maintained power tools.
- f) **Keep cutting tools sharp and clean.** Properly maintained cutting tools with sharp cutting edges are less likely to bind and are easier to control.
- g) **Use the power tool, accessories and tool bits, etc. in accordance with these instructions, taking into account the working conditions and the work to be performed.** Use of the power tool for operations different from those intended could result in a hazardous situation.

5) SERVICE

- a) **Have your power tool serviced by a qualified repair person using only identical replacement parts.** This will ensure that the safety of the power tool is maintained.

Additional Safety Rules for Routers

- **Hold power tool by insulated gripping surfaces because the cutter may contact its own cord.** Cutting a "live" wire may make exposed metal parts of the power tool "live" and shock the operator.

- **Use clamps or another practical way to secure and support the workpiece to a stable platform.** Holding the work by your hand or against the body leaves it unstable and may lead to loss of control.
- **Metal cutting with router: If using router for metal cutting, clean out tool often.** Metal dust and chips often accumulate on interior surfaces and could create a risk of serious injury, electrical shock or death.
- **Never run the motor unit separate from the base.** The motor is not designed to be handheld.
- **Keep handles dry, clean and free from oil and grease.** This will enable better control of the tool.
- **Maintain a firm grip with both hands on the tool to resist starting torque.** Maintain a firm grip on the tool at all times while operating.
- **Use sharp cutters.** Dull cutters may cause the router to swerve or stall under pressure.
- **Keep hands away from cutting area above and below the base. Never reach under the workpiece for any reason.** Keep the router base firmly in contact with the workpiece when cutting.
- **Never touch the bit immediately after use. It may be extremely hot.**
- **Be sure that the motor has stopped completely before you lay the router down.** If the bit is still spinning when the tool is laid down, it could cause injury or damage.
- **Be sure that the router bit is clear of the workpiece before starting the motor.** If the bit is in contact with the workpiece when the motor starts, it could make the router jump, causing damage or injury.
- **Always follow the bit manufacturer's speed recommendations as some bit designs require specific speeds for safety or performance.** If you are unsure of the proper speed or are experiencing any type of problem, contact the bit manufacturer.
- **Do not use router bits with a diameter in excess of 2-3/8" (60 mm) in this tool.**
- **Do not hand-hold the router in an upside-down or horizontal position.** The motor can separate from the base if not properly attached according to the instructions.
- **Before starting the motor, check to see that the cord will not snag or impede the routing operation.**
- **Before starting the motor, clear the work area of all foreign objects.**
- **Keep cutting pressure constant. Do not overload motor.**
- **Provide clearance under workpiece for bit when through-cutting.**
- **Do not press spindle lock button while the motor is running.** Doing so can damage the spindle lock.
- **Always make sure the work surface is free from nails and other foreign objects.** Cutting into a nail can cause the bit and the tool to jump.
- **Air vents often cover moving parts and should be avoided.** Loose clothes, jewelry or long hair can be caught in moving parts.
- **An extension cord must have adequate wire size (AWG or American Wire Gauge) for safety.** The smaller the gauge number of the wire, the greater the capacity of the cable, that is 16 gauge has more capacity than 18 gauge. An undersized cord will cause a drop in line voltage resulting in loss of power and overheating. When using more than one extension to make up the total length, be sure each individual extension contains at least the minimum wire size. The following table shows the correct size to use depending on cord length and nameplate ampere rating. If in doubt, use the next heavier gauge. The smaller the gauge number, the heavier the cord.

Minimum Gauge for Cord Sets						
Ampere Rating		Volts	Total Length of Cord in Feet (meters)			
		120 V	25 (7.6)	50 (15.2)	100 (30.5)	150 (45.7)
			240 V	50 (15.2)	100 (30.5)	200 (61.0)
More Than	Not More Than	AWG				
0	6		18	16	16	14
6	10		18	16	14	12
10	12		16	16	14	12
12	16		14	12	Not Recommended	

⚠ WARNING: ALWAYS use safety glasses. Everyday eyeglasses are NOT safety glasses. Also use face or dust mask if cutting operation is dusty. ALWAYS WEAR CERTIFIED SAFETY EQUIPMENT:

- ANSI Z87.1 eye protection (CAN/CSA Z94.3),
- ANSI S12.6 (S3.19) hearing protection,
- NIOSH/OSHA/MSHA respiratory protection.

⚠ WARNING: Some dust created by power sanding, sawing, grinding, drilling, and other construction activities contains chemicals known to the State of California to cause cancer, birth defects or other reproductive harm. Some examples of these chemicals are:

- lead from lead-based paints,
- crystalline silica from bricks and cement and other masonry products, and
- arsenic and chromium from chemically-treated lumber.

Your risk from these exposures varies, depending on how often you do this type of work. To reduce your exposure to these chemicals: work in a well ventilated area, and work with approved safety equipment, such as those dust masks that are specially designed to filter out microscopic particles.

- **Avoid prolonged contact with dust from power sanding, sawing, grinding, drilling, and other construction activities. Wear protective clothing and wash exposed areas with soap and water.** Allowing dust to get into your mouth, eyes, or lay on the skin may promote absorption of harmful chemicals.

⚠ WARNING: Use of this tool can generate and/or disperse dust, which may cause serious and permanent respiratory or other injury. Always use NIOSH/OSHA approved respiratory protection appropriate for the dust exposure. Direct particles away from face and body.

⚠ WARNING: Always wear proper personal hearing protection that conforms to ANSI S12.6 (S3.19) during use. Under some conditions and duration of use, noise from this product may contribute to hearing loss.

- The label on your tool may include the following symbols. The symbols and their definitions are as follows:

- | | |
|-------------------------------------------------|---------------------------------------------|
| V..... volts | A..... amperes |
| Hz..... hertz | W..... watts |
| min minutes | ~ or AC..... alternating current |
| — or DC... direct current | ⎓ or AC/DC... alternating or direct current |
| Ⓛ..... Class I Construction (grounded) | Ⓜ or AC/DC... alternating or direct current |
| Ⓜ..... Class II Construction (double insulated) | n _o no load speed |
| .../min per minute | n rated speed |
| BPM..... beats per minute | IPM..... impacts per minute |
| RPM..... revolutions per minute | Ⓧ..... earthing terminal |
| sfpm surface feet per minute | ⚠..... safety alert symbol |
| SPM strokes per minute | |

SAVE THESE INSTRUCTIONS FOR FUTURE USE

Motor

Be sure your power supply agrees with the nameplate marking. Voltage decrease of more than 10% will cause loss of power and overheating. DEWALT tools are factory tested; if this tool does not operate, check power supply.

INTENDED USE

This heavy-duty router is designed for professional routing applications.

DO NOT use under wet conditions or in presence of flammable liquids or gases.

This is a professional power tool. **DO NOT** let children come into contact with the tool. Supervision is required when inexperienced operators use this tool.

⚠WARNING: Never modify the power tool or any part of it. Damage or personal injury could result.

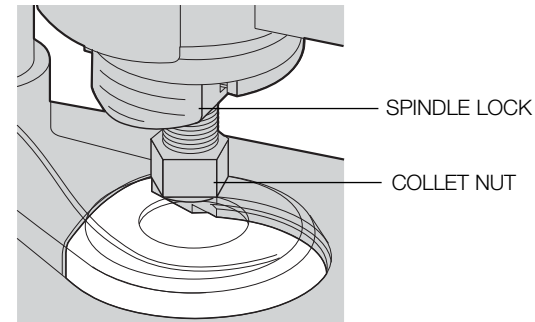
ASSEMBLY AND ADJUSTMENT

⚠WARNING: To reduce the risk of injury, turn unit off and disconnect it from power source before installing and removing accessories, before adjusting or when making repairs. An accidental start-up can cause injury.

Bit Installation and Removal

NOTE: Always snap the collet firmly into the collet nut, (past the retainer spring) before installing a bit.

FIG. 1

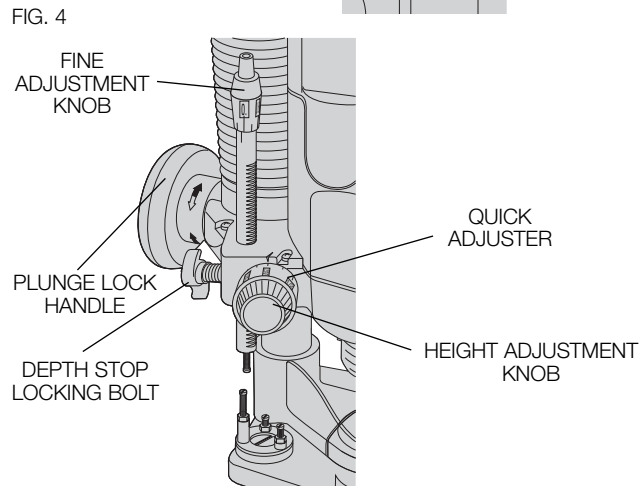
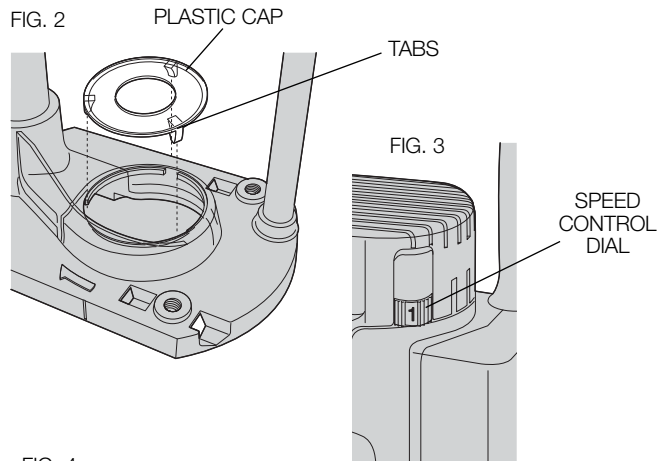


Use the supplied wrench and the spindle lock as necessary to loosen (counterclockwise) the collet nut, (Fig. 1).

Insert the round shank of the desired router bit into the loosened collet as far as it will go and then pull it out about 1/16". Hold the spindle shaft by depressing the spindle lock button, while firmly tightening the collet nut with the wrench provided to prevent the bit from slipping.

Your router has a unique locking system for retaining the bit. When removing a bit, the collet nut must be loosened with the wrench. The collet nut will turn approximately 3/4 of a turn and then become tight again. At this point the bit can't be removed. Using the same procedure, loosen the nut a second time. This lifts the collet and makes it easy to remove the bit.

NOTE: Your router is equipped with a clear plastic cap over the cutting area. This cap assists with dust extraction. When installing a router bit over 1-1/8" in diameter, ensure the plastic cap is removed or positioned above the cutting portion of the bit (Fig. 2). To remove the cap, push it from the bottom of the router. To re-install the cap, align the tabs (Fig. 2) and snap it into place.



Collets

⚠ WARNING: Projectile hazard. Only use bits with shanks that match the installed collet. Smaller shank bits will not be secure and could become loose during operation.

⚠ CAUTION: Never tighten the collet without first installing a router bit in it. Tightening an empty collet, even by hand, can damage the collet.

This tool comes with both 1/4" (6.35 mm) and 1/2" (12.7 mm) collets. To change collet sizes, unscrew the collet assembly, as described above. The collet and the collet nut are connected. Do not attempt to remove the collet from the collet nut.

Controls

ELECTRONIC SPEED CONTROL DIAL

The speed of your router is variable. Use the electronic speed control (Fig. 3) dial to produce uniform cutting results in wood, plastics and aluminum. Use the lower settings (1-3) for large diameter cutters and the higher settings for small diameter cutters. See Table A for more information.

Your router is equipped with constant speed cutting—as you load the router, the selected cutting speed does not slow down during normal use. The electronic control governs the motor and gives you a consistent finish to your work. Only under very heavy loading will the speed of the unit fall below the governed speed.

To set the router speed (from 8,000 rpm to 24,000 rpm) rotate the speed control wheel shown in Fig. 3. The higher the number the higher the speed. Consult the table below to help select the proper speed for your application.

TABLE A: SPEED SELECTION CHART

DIAL SETTING	APPROX. RPM
1	8,000
2	12,000
3	14,000
4	18,000
5	21,000
6	24,000

The speeds in this chart are approximate and are for reference only. Your router may not exactly produce the speed listed for the dial setting.

⚠ WARNING: Always follow the bit manufacturer's speed recommendations as some bit designs require specific speeds for safety or performance.

If you are unsure of the proper speed or are experiencing any type of problem, contact the bit manufacturer.

⚠ WARNING: Do not operate tools rated "AC only" on a DC supply. Loss of speed control may result, causing tool damage and possible hazard to the operator.

⚠ WARNING: If the speed control ceases to operate, or is intermittent, stop using the tool immediately. Take it to a DEWALT factory or authorized service facility for repair.

NOTICE: The router is equipped with electronics to monitor and maintain the speed of the tool while cutting. In low and medium speed operation, the speed control prevents the motor speed from decreasing. If you expect to hear a speed change and continue to load the motor, you could damage the motor by overheating. Reduce the depth of cut and/or slow the feed rate to prevent tool damage.

Adjusting the Depth of Cut

QUICK ADJUSTMENT USING RACK AND PINION HEIGHT ADJUSTMENT (FIG. 4)

1. It may be necessary to remove the plastic cap before making adjustments.
2. Unlock the plunge lock handle.
3. Lower the router carriage until the cutter is in contact with the workpiece.
4. Tighten the plunge lock handle by turning it clockwise.
5. Turn the height adjustment knob counterclockwise until it hits the revolver depth stop (Fig. 5).
6. Set the quick adjuster to zero, by turning the inner ring knob clockwise.
7. Adjust the depth of cut by rotating the height adjust knob clockwise to the desired depth of cut. The adjustment range is indicated by the arrow.
8. Tighten the plunge limiter by turning the depth stop bolt clockwise.

TRIPLE DEPTH ADJUSTMENT USING THE REVOLVER DEPTH STOP (FIG. 5)

⚠ WARNING: Do not change the revolver depth stop while the router is running. This will place your hands too near the cutter head.

The revolver depth stop can be used to set three different depths. This is useful for deep cuts, performed in steps.

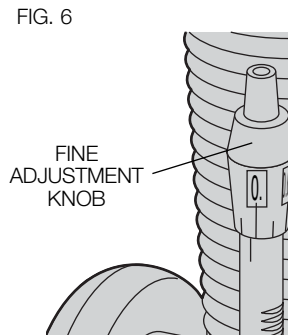
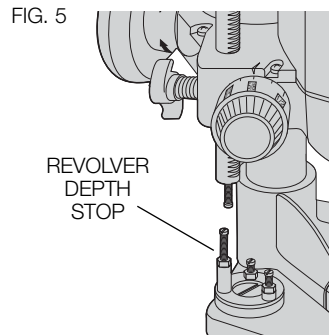
1. Place a depth template between the depth stop and the revolver depth stop to adjust the exact cutting depth.
2. If required, set all three screws.

FINE ADJUSTMENT (FIG. 6)

Use the fine adjuster when not using a depth template, or if the depth of cut needs readjustment.

1. Adjust the depth of cut as described above.

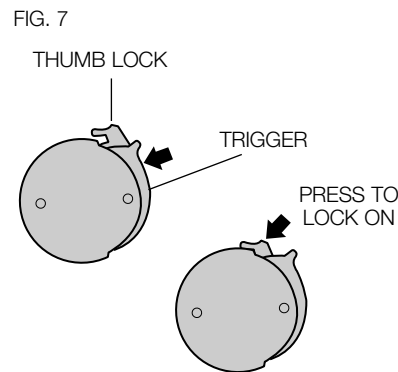
2. Set the fine adjuster to zero using the inner ring. Hold the top portion while setting the lower ring to zero.
3. Rotate the fine adjuster to the required position. Graduations are on the top of the fine adjustment knob.



Lock-On/Lock-Off Switch (Fig. 7)

The lock-on/lock-off switch is located in the handle on the right side. The router is normally locked-off.

To start the router, press the thumb lock and squeeze the trigger. To lock the switch on, squeeze the trigger, press the thumb lock forward and release the trigger. To turn the router



off, release the switch. If the tool is locked-on, press the trigger again and release the switch.

NOTE: Loosen the plunge limiter and allow the router carriage to return to its rest position before switching off.

OPERATION

⚠ WARNING: To reduce the risk of injury, turn unit off and disconnect it from power source before installing and removing accessories, before adjusting or when making repairs. An accidental start-up can cause injury.

⚠ CAUTION: Before connecting tool to power source, check to see that the switch is in the "OFF" position. An accidental start-up can cause injury.

⚠ CAUTION: Turn the router on before plunging the cutter head into the workpiece.

After setting the cutting depth as described, locate the router such that the bit is directly over the place you will be cutting. With the router running, lower the unit smoothly down into the workpiece. (DO NOT JAM THE ROUTER DOWN). When the tool reaches the pre-set depth, tighten the plunge lock. When you have finished routing, loosen the plunge lock and let the spring lift the router directly out of the workpiece.

NOTE: Always feed the router opposite to the direction in which the cutter is rotating.

Direction Of Feed

Figures 8 and 9 show proper direction of feed for some typical cuts. Mold the outside edge of a piece of stock by a) mold the end grain, left to right, b) do the straight grain side moving left to right, c) finish the other end grain side, and d) do the remaining straight grain edge.

The direction of feed is important in router usage. Be sure the cutter is rotating into the stock by moving left to right on outside edges and clockwise on inside cuts.

FIG. 8

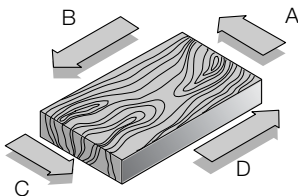


FIG. 9

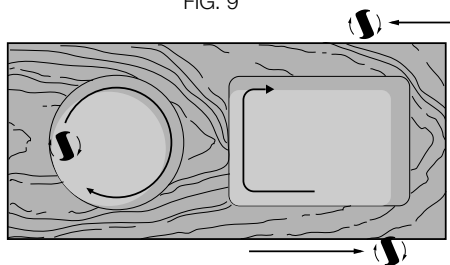
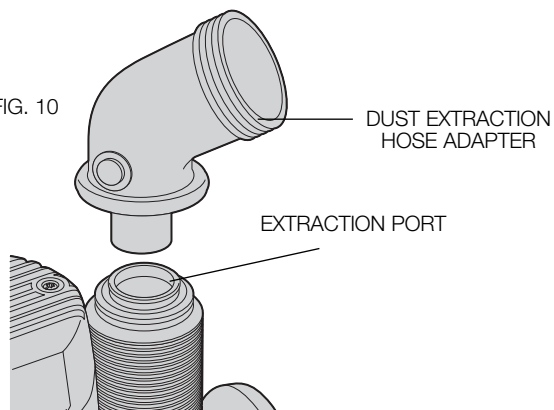


FIG. 10



⚠ WARNING: Avoid climb-cutting (cutting in direction opposite than shown in Figure 8). Climb-cutting increases the chance for loss of control resulting in possible injury. When climb-cutting is required (backing around a corner), exercise extreme caution to maintain control of router. Make smaller cuts and remove minimal material with each pass.

Dust Collection and Extraction

TO SET THE ROUTER FOR DUST EXTRACTION:

1. If required, insert the dust extraction hose adapter into the dust extraction port (Fig. 10).
2. Slip the end of any standard vacuum cleaner tube into the hose adapter.
3. When using dust extraction, be sure that the vacuum cleaner is out of the way and secure so that it will not tip over or interfere with the router or workpiece. The vacuum hose and power cord must also be positioned so that they don't interfere with the router or workpiece. If the vacuum cleaner or vacuum hose cannot be positioned properly, it should be removed.
4. Turn on vacuum cleaner before router.
5. Empty the vacuum cleaner as necessary.

NOTE: The router comes with a clear plastic removable guard over the cutting area. Do not attempt to plunge cut through the plastic guard. The guard is used to assist the dust collection.

Your router includes a dust extraction cap. Be sure it is in place over the dust extraction port if you are not using a vacuum.

MAINTENANCE

⚠ WARNING: To reduce the risk of injury, turn unit off and disconnect it from power source before installing and removing accessories, before adjusting or when making repairs. An accidental start-up can cause injury.

Cleaning

⚠ WARNING: Blow dirt and dust out of all air vents with clean, dry air at least once a week. To minimize the risk of eye injury, always wear ANSI Z87.1 approved eye protection when performing this.

⚠ WARNING: Never use solvents or other harsh chemicals for cleaning the non-metallic parts of the tool. These chemicals may weaken the plastic materials used in these parts. Use a cloth dampened only with water and mild soap. Never let any liquid get inside the tool; never immerse any part of the tool into a liquid.

Use only a DRY cloth to wipe the plunge rods. These rods require no lubrication. Lubricants attract dust, reducing the performance of your tool.

Accessories

⚠ WARNING: Since accessories, other than those offered by DEWALT, have not been tested with this product, use of such accessories with this tool could be hazardous. To reduce the risk of injury, only DEWALT recommended accessories should be used with this product.

Recommended accessories for use with your tool are available at extra cost from your local dealer or authorized service center. If you need assistance in locating any accessory, please contact DEWALT Industrial Tool Co., 701 East Joppa Road, Baltimore, MD 21286, call 1-800-4-DEWALT (1-800-433-9258) or visit our website: www.dewalt.com.

Repairs

To assure product SAFETY and RELIABILITY, repairs, maintenance and adjustment (including brush inspection and replacement) should be performed by a DEWALT factory service center, a DEWALT authorized service center or other qualified service personnel. Always use identical replacement parts.

Register Online

Thank you for your purchase. Register your product now for:

- **WARRANTY SERVICE:** Registering your product will help you obtain more efficient warranty service in case there is a problem with your product.
- **CONFIRMATION OF OWNERSHIP:** In case of an insurance loss, such as fire, flood or theft, your registration of ownership will serve as your proof of purchase.
- **FOR YOUR SAFETY:** Registering your product will allow us to contact you in the unlikely event a safety notification is required under the Federal Consumer Safety Act.

Register online at www.dewalt.com/register.

Three Year Limited Warranty

DEWALT will repair, without charge, any defects due to faulty materials or workmanship for three years from the date of purchase. This warranty does not cover part failure due to normal wear or tool abuse. For further detail of warranty coverage and warranty repair information, visit www.dewalt.com or call 1-800-4-DEWALT (1-800-433-9258). This warranty does not apply to accessories or damage caused where repairs have been made or attempted by others. This warranty gives you specific legal rights and you may have other rights which vary in certain states or provinces.

In addition to the warranty, DEWALT tools are covered by our:

1 YEAR FREE SERVICE

DEWALT will maintain the tool and replace worn parts caused by normal use, for free, any time during the first year after purchase.

90 DAY MONEY BACK GUARANTEE

If you are not completely satisfied with the performance of your DEWALT Power Tool, Laser, or Nailer for any reason, you can return it within 90 days from the date of purchase with a receipt for a full refund – no questions asked.

LATIN AMERICA: This warranty does not apply to products sold in Latin America. For products sold in Latin America, see country specific warranty information contained in the packaging, call the local company or see website for warranty information.

FREE WARNING LABEL REPLACEMENT: If your warning labels become illegible or are missing, call 1-800-4-DeWALT (1-800-433-9258) for a free replacement.

DW621
2 HP (MAX MOTOR H.P.) ROUTER

⚠ WARNING TO REDUCE THE RISK OF INJURY, USER MUST READ INSTRUCTION MANUAL. ALWAYS USE PROPER EYE AND RESPIRATORY PROTECTION. WHEN SERVICING USE ONLY IDENTICAL REPLACEMENT PARTS.

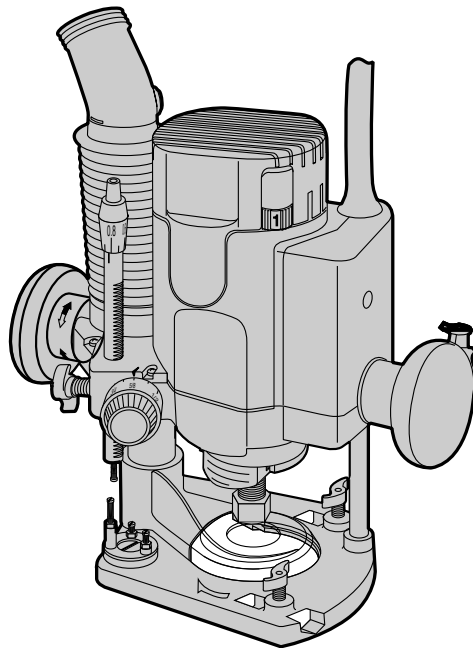
AVERTISSEMENT À TITRE PRÉVENTIF, LIRE LE GUIDE.

DeWALT INDUSTRIAL TOOL CO., BALTIMORE, MD 21286 U.S.A.
FOR SERVICE INFORMATION, CALL 1-800-4-DeWALT
www.DeWALT.com

⚠ ADVERTENCIA: PARA DISMINUIR EL RIESGO DE LESIONES, EL USUARIO DEBERÁ LEER EL MANUAL DE INSTRUCCIONES. SIEMPRE SE DEBERÁ LLEVAR LA PROTECCIÓN APROPIADA PARA LA VISTA Y PARA LAS VÍAS RESPIRATORIAS. UTILICE SOLAMENTE PIEZAS DE REPUESTO IDENTICAS.

⚠ AVERTISSEMENT: AFIN DE MINIMISER LES RISQUES DE BLESSURES, L'UTILISATEUR DOIT LIRE LE GUIDE D'UTILISATION. IL FAUT TOUJOURS PORTER DE L'ÉQUIPEMENT DE PROTECTION OCULAIRE ET RESPIRATOIRE APPROPRIÉ. UTILISER SEULEMENT DES PIÈCES DE RECHANGE IDENTIQUES.

English



Définitions : lignes directrices en matière de sécurité

Les définitions ci-dessous décrivent le niveau de danger pour chaque mot-indicateur employé. Lire le mode d'emploi et porter une attention particulière à ces symboles.

⚠ DANGER : indique une situation dangereuse imminente qui, si elle n'est pas évitée, **entraînera la mort ou des blessures graves**.

⚠ AVERTISSEMENT : indique une situation potentiellement dangereuse qui, si elle n'est pas évitée, **pourrait entraîner la mort ou des blessures graves**.

⚠ ATTENTION : indique une situation potentiellement dangereuse qui, si elle n'est pas évitée, **pourrait entraîner des blessures légères ou modérées**.

AVIS : indique une pratique ne posant **aucun risque de dommages corporels** mais qui par contre, si rien n'est fait pour l'éviter, **pourrait poser des risques de dommages matériels**.

POUR TOUTE QUESTION OU REMARQUE AU SUJET DE CET OUTIL OU DE TOUT AUTRE OUTIL DEWALT, COMPOSEZ LE NUMÉRO SANS FRAIS : **1-800-4-DEWALT (1-800-433-9258)**.



AVERTISSEMENT : afin de réduire le risque de blessures, lire le mode d'emploi de l'outil.

Avertissements de sécurité généraux pour les outils électriques



AVERTISSEMENT ! Lire tous les avertissements de sécurité et toutes les directives. Le non-respect des avertissements et des directives pourrait se solder par un choc électrique, un incendie et/ou une blessure grave.

CONSERVER TOUS LES AVERTISSEMENTS ET TOUTES LES DIRECTIVES POUR UN USAGE ULTÉRIEUR

Le terme « outil électrique » cité dans les avertissements se rapporte à votre outil électrique à alimentation sur secteur (avec fil) ou par piles (sans fil).

1) SÉCURITÉ DU LIEU DE TRAVAIL

- a) **Tenir l'aire de travail propre et bien éclairée.** Les lieux encombrés ou sombres sont propices aux accidents.
- b) **Ne pas faire fonctionner d'outils électriques dans un milieu déflasant, tel qu'en présence de liquides, de gaz ou de poussières inflammables.** Les outils électriques produisent des étincelles qui pourraient enflammer la poussière ou les vapeurs.
- c) **Éloigner les enfants et les personnes à proximité pendant l'utilisation d'un outil électrique.** Une distraction pourrait en faire perdre la maîtrise à l'utilisateur.

2) SÉCURITÉ EN MATIÈRE D'ÉLECTRICITÉ

- a) **Les fiches des outils électriques doivent correspondre à la prise. Ne jamais modifier la fiche d'aucune façon. Ne jamais utiliser de fiche d'adaptation avec un outil électrique mis à la terre.** Le risque de choc électrique sera réduit par l'utilisation de fiches non modifiées correspondant à la prise.
- b) **Éviter tout contact physique avec des surfaces mises à la terre comme des tuyaux, des radiateurs, des cuisinières et des réfrigérateurs.** Le risque de choc électrique est plus élevé si votre corps est mis à la terre.
- c) **Ne pas exposer les outils électriques à la pluie ou à l'humidité.** La pénétration de l'eau dans un outil électrique augmente le risque de choc électrique.

- d) **Ne pas utiliser le cordon de façon abusive. Ne jamais utiliser le cordon pour transporter, tirer ou débrancher un outil électrique. Tenir le cordon éloigné de la chaleur, de l'huile, des bords tranchants et des pièces mobiles.** Les cordons endommagés ou enchevêtrés augmentent les risques de choc électrique.
- e) **Pour l'utilisation d'un outil électrique à l'extérieur, se servir d'une rallonge convenant à cette application.** L'utilisation d'une rallonge conçue pour l'extérieur réduira les risques de choc électrique.
- f) **S'il est impossible d'éviter l'utilisation d'un outil électrique dans un endroit humide, brancher l'outil dans une prise ou sur un circuit d'alimentation dotés d'un disjoncteur de fuite à la terre (GFCI).** L'utilisation de ce type de disjoncteur réduit les risques de choc électrique.

3) SÉCURITÉ PERSONNELLE

- a) **Être vigilant, surveiller le travail effectué et faire preuve de jugement lorsqu'un outil électrique est utilisé. Ne pas utiliser d'outil électrique en cas de fatigue ou sous l'influence de drogues, d'alcool ou de médicaments.** Un simple moment d'inattention en utilisant un outil électrique peut entraîner des blessures corporelles graves.
- b) **Utiliser des équipements de protection individuelle. Toujours porter une protection oculaire.** L'utilisation d'équipements de protection comme un masque antipoussière, des chaussures antidérapantes, un casque de sécurité ou des protecteurs auditifs lorsque la situation le requiert réduira les risques de blessures corporelles.
- c) **Empêcher les démarrages intempestifs. S'assurer que l'interrupteur se trouve à la position d'arrêt avant de relier l'outil à une source d'alimentation et/ou d'insérer un bloc-piles, de ramasser ou de transporter l'outil.** Transporter un outil électrique alors que le doigt repose sur l'interrupteur ou brancher un outil électrique dont

l'interrupteur est à la position de marche risque de provoquer un accident.

- d) **Retirer toute clé de réglage ou clé avant de démarrer l'outil.** Une clé ou une clé de réglage attachée à une partie pivotante de l'outil électrique peut provoquer des blessures corporelles.
- e) **Ne pas trop tendre les bras. Conserver son équilibre en tout temps.** Cela permet de mieux maîtriser l'outil électrique dans les situations imprévues.
- f) **S'habiller de manière appropriée. Ne pas porter de vêtements amples ni de bijoux. Garder les cheveux, les vêtements et les gants à l'écart des pièces mobiles.** Les vêtements amples, les bijoux ou les cheveux longs risquent de rester coincés dans les pièces mobiles.
- g) **Si des composants sont fournis pour le raccordement de dispositifs de dépoussiérage et de ramassage, s'assurer que ceux-ci sont bien raccordés et utilisés.** L'utilisation d'un dispositif de dépoussiérage peut réduire les dangers engendrés par les poussières.

4) UTILISATION ET ENTRETIEN D'UN OUTIL ÉLECTRIQUE

- a) **Ne pas forcer un outil électrique. Utiliser l'outil électrique approprié à l'application.** L'outil électrique approprié effectuera un meilleur travail, de façon plus sûre et à la vitesse pour laquelle il a été conçu.
- b) **Ne pas utiliser un outil électrique dont l'interrupteur est défectueux.** Tout outil électrique dont l'interrupteur est défectueux est dangereux et doit être réparé.
- c) **Débrancher la fiche de la source d'alimentation et/ou du bloc-piles de l'outil électrique avant de faire tout réglage ou changement d'accessoire ou avant de ranger l'outil.** Ces mesures préventives réduisent les risques de démarrage accidentel de l'outil électrique.
- d) **Ranger les outils électriques hors de la portée des enfants et ne permettre à aucune personne n'étant pas familière avec un outil électrique ou son mode d'emploi**

d'utiliser cet outil. Les outils électriques deviennent dangereux entre les mains d'utilisateurs inexpérimentés.

- e) **Entretien des outils électriques. Vérifier si les pièces mobiles sont mal alignées ou coincées, si des pièces sont brisées ou présentent toute autre condition susceptible de nuire au bon fonctionnement de l'outil électrique. En cas de dommage, faire réparer l'outil électrique avant toute nouvelle utilisation.** Beaucoup d'accidents sont causés par des outils électriques mal entretenus.
- f) **S'assurer que les outils de coupe sont aiguisés et propres.** Les outils de coupe bien entretenus et affûtés sont moins susceptibles de se coincer et sont plus faciles à maîtriser.
- g) **Utiliser l'outil électrique, les accessoires, les forets, etc. conformément aux présentes directives en tenant compte des conditions de travail et du travail à effectuer.** L'utilisation d'un outil électrique pour toute opération autre que celle pour laquelle il a été conçu est dangereuse.

5) RÉPARATION

- a) **Faire réparer l'outil électrique par un réparateur professionnel en n'utilisant que des pièces de rechange identiques.** Cela permettra de maintenir une utilisation sécuritaire de l'outil électrique.

Directives particulières aux toupies

- **Tenir l'outil électrique par ses parties isolées, car l'organe de coupe pourrait entrer en contact avec son cordon.** Couper un fil sous tension pourra mettre les parties métalliques exposées de l'outil électrique sous tension et électrocuter l'utilisateur.
- **Utilisez des serres de fixation ou un autre dispositif de fixation permettant de soutenir et de retenir la pièce sur une plate-forme stable.** Tenir la pièce avec la main ou contre

son corps n'est pas suffisamment stable et risque de provoquer une perte de maîtrise de l'outil.

- **Découpage du métal à la toupie : si la toupie sert à découper du métal, il faut la nettoyer souvent.** La poussière de métal s'accumule souvent sur les surfaces intérieures et pourrait causer des blessures sérieuses, une électrocution ou la mort.
- **Ne jamais faire tourner le bloc-moteur hors de sa base.** Le moteur n'a pas été conçu pour être tenu manuellement.
- **Maintenir les poignées sèches, propres et exemptes d'huile et de graisse** afin de mieux maîtriser l'outil.
- **Maintenir une prise ferme sur l'outil, à deux mains, pour résister à tout couple de démarrage.** Maintenir systématiquement l'outil fermement.
- **Utiliser des fraises aiguisées.** Les fraises émoussées peuvent faire zigzaguer la toupie ou la bloquer sous la pression.
- **Maintenir les mains éloignées des zones de coupe dessus et dessous la base. Ne jamais passer les doigts sous le matériau pour quelque raison que ce soit.** S'assurer de bien maintenir la base de la toupie en contact avec la pièce lors de la coupe.
- **Ne jamais toucher à la mèche immédiatement après l'avoir utilisée, car elle peut être extrêmement chaude.**
- **Attendre que le moteur s'arrête complètement avant de déposer la toupie.** Le fait de poser l'outil alors que la fraise continue de tourner pose des risques de dommages corporels ou matériels.
- **S'assurer que la mèche n'est pas en contact avec la pièce avant de démarrer le moteur, afin d'éviter de faire bondir la toupie et de causer des dommages ou des blessures.**
- **Suivre systématiquement les recommandations de vitesse du fabricant, car certaines fraises nécessitent de tourner à des vitesses spécifiques pour des raisons de sécurité ou de performances.** Si l'on n'est pas sûr de la

vitesse adéquate ou si l'on rencontre un problème quelconque, contacter le fabricant des fraises.

- **Ne pas utiliser des fraises à défoncer d'un diamètre supérieur à 60 mm (2-3/8 po).**
- **Ne pas tenir manuellement la toupie à l'envers ou horizontalement.** Le moteur pourrait se détacher de la base s'il n'est pas correctement rattaché conformément aux instructions.
- **Avant de mettre le moteur en marche, vérifier que le cordon ne s'enchevêtrera pas dans la toupie ou n'entravera pas son fonctionnement.**
- **Avant de mettre le moteur en marche, éliminer tout objet étranger de l'aire de travail.**
- **Maintenir une pression de coupe constante. Ne pas surcharger le moteur.**
- **Laisser un espace sous la pièce pour la fraise pour couper la pièce de part en part.**
- **Ne pas appuyer sur le bouton de verrouillage de la broche lorsque le moteur tourne.** Cela pourrait endommager le verrouillage de broche.
- **S'assurer systématiquement que la surface de travail ne comporte ni clou ni objets étrangers.** Le fait de couper dans un clou pourra faire rebondir la fraise ou l'outil.
- **Prendre des précautions à proximité des événements, car ils cachent des pièces mobiles.** Vêtements amples, bijoux ou cheveux longs risquent de rester coincés dans ces pièces mobiles.
- **Pour la sécurité de l'utilisateur, utiliser une rallonge de calibre adéquat (AWG, American Wire Gauge [calibrage américain normalisé des fils électriques]).** Plus le calibre est petit, et plus sa capacité est grande. Un calibre 16, par exemple, a une capacité supérieure à un calibre 18. L'usage d'une rallonge de calibre insuffisant causera une chute de tension qui entraînera perte de puissance et surchauffe. Si plus d'une rallonge est utilisée pour obtenir une certaine longueur, s'assurer que chaque rallonge présente au moins le calibre de

fil minimum. Le tableau ci-dessous illustre les calibres à utiliser selon la longueur de rallonge et l'intensité nominale indiquée sur la plaque signalétique. En cas de doute, utiliser le calibre suivant. Plus le calibre est petit, plus la rallonge peut supporter de courant.

Calibres minimaux des rallonges						
Intensité (en ampères)		volts	Longueur totale de cordon en mètres (pieds)			
		120 V	7,6 (25)	15,2 (50)	30,5 (100)	45,7 (150)
		240 V	15,2 (50)	30,5 (100)	61,0 (200)	91,4 (300)
Supérieur à	Inférieur à	AWG				
0	6		18	16	16	14
6	10		18	16	14	12
10	12		16	16	14	12
12	16		14	12	Non recommandé	

⚠ AVERTISSEMENT : porter **SYSTEMATIQUEMENT** des lunettes de protection. Les lunettes courantes NE sont PAS des lunettes de protection. Utiliser aussi un masque antipoussières si la découpe doit en produire beaucoup. PORTER SYSTEMATIQUEMENT UN EQUIPEMENT DE SECURITE HOMOLOGUE :

- Protection oculaire ANSI Z87.1 (CAN/CSA Z94.3) ;
- Protection auditive ANSI S12.6 (S3.19) ;
- Protection des voies respiratoires NIOSH/OSHA/MSHA.

⚠ AVERTISSEMENT : les scies, meules, ponceuses, perceuses ou autres outils de construction peuvent produire des poussières contenant des produits chimiques reconnus par l'État californien pour causer cancers, malformations congénitales ou être nocifs au système reproducteur. Parmi ces produits chimiques, on retrouve :

- Le plomb dans les peintures à base de plomb ;

- La silice cristallisée dans les briques et le ciment, ou autres produits de maçonnerie ; et
- L'arsenic et le chrome dans le bois ayant subi un traitement chimique.

Le risque associé à de telles expositions varie selon la fréquence à laquelle on effectue ces travaux. Pour réduire toute exposition à ces produits : travailler dans un endroit bien aéré, en utilisant du matériel de sécurité homologué, tel un masque antipoussières spécialement conçu pour filtrer les particules microscopiques.

- **Limiter toute exposition prolongée avec les poussières provenant du ponçage, sciage, meulage, perçage ou toute autre activité de construction. Porter des vêtements de protection et nettoyer à l'eau savonneuse les parties du corps exposées.** Le fait de laisser la poussière pénétrer dans la bouche, les yeux ou la peau peut favoriser l'absorption de produits chimiques dangereux.

⚠ AVERTISSEMENT : cet outil peut produire et/ou répandre de la poussière susceptible de causer des dommages sérieux et permanents au système respiratoire. Utiliser systématiquement un appareil de protection des voies respiratoires homologué par le NIOSH ou l'OSHA. Diriger les particules dans le sens opposé au visage et au corps.

⚠ AVERTISSEMENT : pendant l'utilisation, porter systématiquement une protection auditive individuelle adéquate homologuée ANSI S12.6 (S3.19). Sous certaines conditions et suivant la durée d'utilisation, le bruit émanant de ce produit pourrait contribuer à une perte de l'acuité auditive.

- L'étiquette apposée sur votre outil peut inclure les symboles suivants. Les symboles et leur définition sont indiqués ci-après :
V..... volts A..... ampères
Hz..... hertz W..... watts
min minutes ~ courant alternatif

— — — courant continu	~ courant alternatif
Ⓛ classe I fabrication (mis à la terre)	n ₀ vitesse à vide
Ⓜ fabrication classe II (double isolation)	n vitesse nominale
.../min par minute	⊕ borne de terre
IPM impacts par minute	⚠ symbole
BPM battements par minute	sfpm pieds linéaires par minute (plpm)
SPM (FPM) fréquence par minute	r/min tours par minute

CONSERVER CES CONSIGNES POUR UTILISATION ULTÉRIEURE

Moteur

S'assurer que le bloc d'alimentation est compatible avec l'inscription de la plaque signalétique. Une diminution de tension de plus de 10 % provoquera une perte de puissance et une surchauffe. Les outils DEWALT sont testés en usine ; si cet outil ne fonctionne pas, vérifier l'alimentation électrique.

USAGE PRÉVU

Cette toupie industrielle a été conçue pour le toupillage professionnel. **NE PAS** les utiliser en milieu ambiant humide ou en présence de liquides ou de gaz inflammables.

C'est un outil électrique de professionnels. **NE PAS** le laisser à la portée des enfants. Une supervision est nécessaire auprès de tout utilisateur non expérimenté.

⚠AVERTISSEMENT : ne jamais modifier l'outil électrique ni aucun de ses composants, car il y a risques de dommages corporels ou matériels.

ASSEMBLAGE ET AJUSTEMENTS

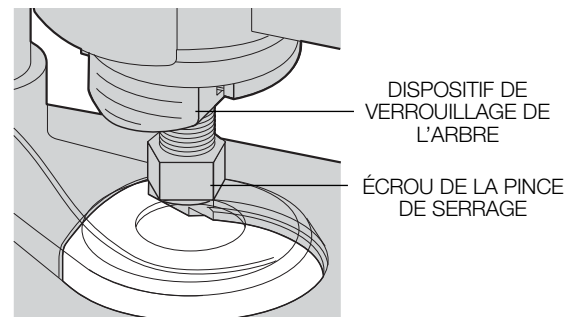
⚠AVERTISSEMENT : pour réduire le risque de blessures, éteindre l'appareil et le débrancher avant d'installer ou de retirer tout accessoire et avant d'effectuer des réglages ou des réparations. Un démarrage accidentel peut provoquer des blessures.

Installation et retrait des fraises

NOTE : Toujours enclencher la pince de serrage fermement dans l'écrou (au-delà du ressort de retenue) avant d'installer une fraise. Se servir au besoin de la clé fournie et du dispositif de verrouillage pour desserrer (dans le sens antihoraire) l'écrou de la pince de serrage (fig. 1).

Insérer à fond la tige ronde de la fraise voulue dans la pince de serrage, puis la retirer d'environ 1.5 mm (1/16 po). Appuyez sur le bouton de blocage de l'arbre pour bloquer l'arbre de la broche tout en serrant fermement l'écrou de la douille de serrage avec la clé fournie à cet effet pour empêcher la fraise de glisser.

FIG. 1



La toupie comporte un système de verrouillage unique afin de retenir la fraise. Lorsqu'on retire cette dernière, il faut desserrer l'écrou de la pince de serrage à l'aide de la clé. L'écrou de la pince de serrage tourne d'environ 3/4 de tour, puis il se resserme. On

ne peut alors plus retirer la fraise. Procéder de la même façon et desserrer l'écrou une deuxième fois. On soulève alors la pince de serrage, ce qui facilite le retrait de la fraise.

NOTE : Il y a un couvercle en plastique transparent au-dessus de la zone de coupe de la toupie. Celui-ci facilite le dépoussiérage. Lorsqu'on installe une fraise d'un diamètre de plus de 28 mm (1 1/8 po), s'assurer de retirer au préalable le couvercle ou de placer ce dernier au-dessus de la section tranchante de la fraise (fig. 2). Pour enlever le couvercle, le pousser hors du dessous de la toupie. Pour le remettre en place, aligner les languettes (fig. 2) et l'enclencher en place.

Pincés de serrage

⚠AVERTISSEMENT : risques de projections. Utiliser exclusivement des fraises dont la tige cadre parfaitement avec la douille présente. Les fraises à tige de taille inférieure ne peuvent être arrimées de façon sécuritaire et pourraient se libérer pendant l'utilisation.

⚠ATTENTION : ne jamais serrer la douille avant d'y avoir d'abord inséré une arête; on risque d'endommager une douille sans arête, même lorsqu'on la serre manuellement.

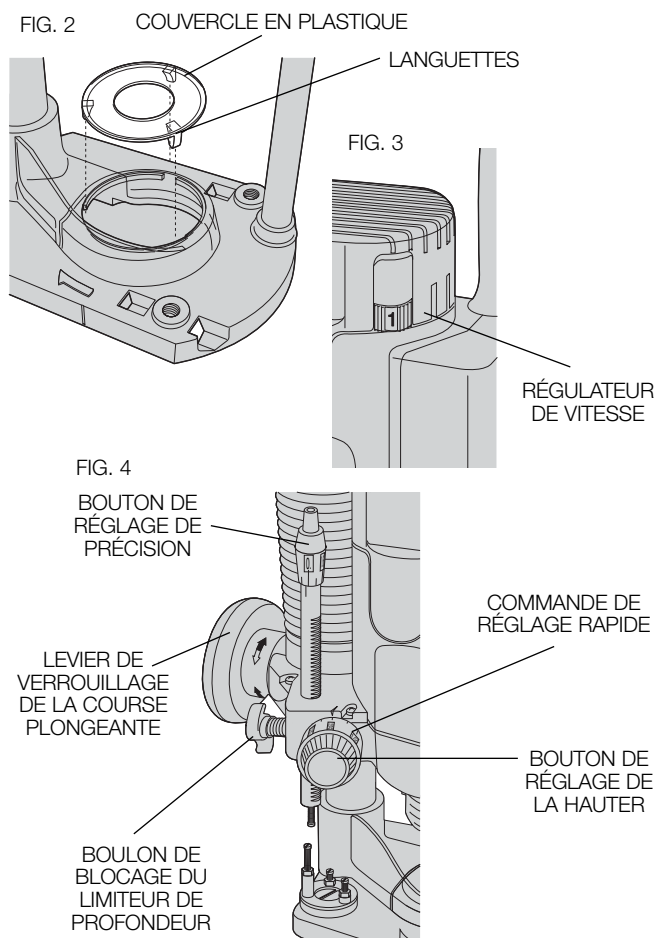
Cet outil est fourni avec à la fois une douille de 6,35 mm (1/4 po) et une douille de 12,7 mm (1/2 po). Lors qu'on installe une fraise de dimension différente, desserrer la pince de la façon décrite précédemment. La pince de serrage et l'écrou sont reliés. Ne pas tenter de retirer la pince de l'écrou.

Commandes

RÉGULATEUR DE VITESSE ÉLECTRONIQUE

La toupie est munie d'un régulateur de vitesse (fig. 3). S'en servir pour couper uniformément le bois, les plastiques et l'aluminium. Se servir des basses vitesses (de 1 à 3) avec les grosses fraises et des vitesses élevées, avec les petites fraises. Consulter le tableau A.

La toupie comporte un régulateur de vitesse. Ainsi, la charge sur la toupie ne ralentit pas la vitesse choisie dans des conditions d'utilisation normales. Le régulateur de vitesse agit sur le moteur



afin de procurer un fini uniforme à la surface ouvrée. Seule une charge très lourde ralentira la vitesse de l'outil.

Pour régler la vitesse de la toupie (de 8 000 à 24 000 trs/min), faire tourner le régulateur de vitesse illustré à la figure 3. Plus le chiffre choisi est élevé, plus la vitesse l'est. Consulter le tableau plus bas pour déterminer la vitesse appropriée à la tâche.

TABLEAU A: SÉLECTION DE VITESSE	
RÉGLAGE CADRAN	R/MIN APPROX. R/MIN
1	8 000
2	12 000
3	14 000
4	18 000
5	21 000
6	24 000

Les vitesses de ce tableau sont approximatives et ne sont données qu'à titre de référence. Votre toupie pourra ne pas produire exactement la vitesse correspondant au réglage affiché sur le cadran.

⚠AVERTISSEMENT : suivre systématiquement les recommandations du fabricant de forets quant à la vitesse, car certains forets ont été conçus pour des vitesses spécifiques pour des raisons de sécurité ou de performances.

Si vous n'êtes pas sûr de la vitesse correcte ou rencontrez un problème quelconque, veuillez contacter le fabricant du foret.

⚠AVERTISSEMENT : ne pas utiliser d'outils conçus exclusivement pour du CA sur du CC. Une panne du régulateur automatique de vitesse pourrait en résulter, et poser des risques de dommages matériels et corporels.

⚠AVERTISSEMENT : si le régulateur automatique de vitesse cessait de fonctionner, ou devenait intermittent, interrompre

immédiatement l'utilisation de l'outil. Le rapporter à une usine DEWALT ou chez un service de réparation agréé pour réparation.

AVIS : les toupies sont équipées d'une fonction électronique pour contrôler et maintenir la vitesse de l'outil pendant la coupe. En vitesse réduite ou moyenne, le régulateur automatique de vitesse évite que la vitesse du moteur chute. Si l'on s'attend à percevoir un changement de vitesse, et on continue à pousser le moteur, cela pourra le faire surchauffer et l'endommager. Réduire la profondeur de coupe et/ou ralentir la vitesse d'alimentation pour prévenir tout dommage matériel.

Réglage de la profondeur de coupe

RÉGLAGE RAPIDE À L'AIDE DE LA COMMANDE DE RÉGLAGE DE LA HAUTEUR À PIGNON ET CRÉMAILLÈRE (FIG. 4)

1. Il peut être nécessaire de retirer le couvercle en plastique avant de régler la profondeur de coupe.
2. Déverrouiller le levier de verrouillage de la course plongeante.
3. Abaisser le chariot de la toupie jusqu'à ce que la fraise entre en contact avec la surface à ouvrir.
4. Serrer le limiteur de la course plongeante en le faisant tourner dans le sens horaire.
5. Faire tourner le bouton de réglage de la hauteur dans le sens antihoraire jus qu'à ce qu'il frappe le limiteur de profondeur a' tourelle (fig. 5).
6. Régler la commande de réglage rapide à zéro en faisant tourner le bouton à bague intérieure dans le sens horaire.
7. Régler la profondeur de coupe en faisant tourner le bouton de réglage de la hauteur dans le sens horaire jusqu'à la profondeur voulue. La flèche indique la plage de réglage.
8. Serrer le limiteur de la course plongeante, en faisant tourner dans le sens antihoraire le boulon du limiteur de profondeur.

TRIPLE RÉGLAGE DE LA PROFONDEUR À L'AIDE DU LIMITEUR DE PROFONDEUR À TOURELLE (FIG. 5)

⚠AVERTISSEMENT : ne pas déplacer la butée revolver de profondeur alors que la toupie tourne. Cela rapprocherait vos mains trop près de l'organe de coupe.

Le limiteur de profondeur à tourelle permet de régler trois profondeurs de coupe différentes. Il s'agit d'une fonction des plus pratiques pour effectuer des coupes profondes en plusieurs étapes.

1. Placer un modèle de la profondeur entre le limiteur et le limiteur de profondeur à tourelle afin de régler la profondeur de coupe exacte.
2. Le cas échéant, régler les trois vis.

RÉGLAGE DE PRÉCISION (FIG. 6)

Se servir du réglage de précision lorsqu'on n'utilise pas de modèle de profondeur ou lorsqu'il faut régler de nouveau la profondeur de coupe.

1. Régler la profondeur de coupe de la manière décrite précédemment.
2. Régler la commande de précision à zéro à l'aide de la bague intérieure. Retenir la portion extérieure tout en réglant la portion intérieure à zéro.
3. Faire tourner la commande de précision à la position requise. Les calibres se trouvent sur la portion extérieure du bouton de réglage de précision.

FIG. 5

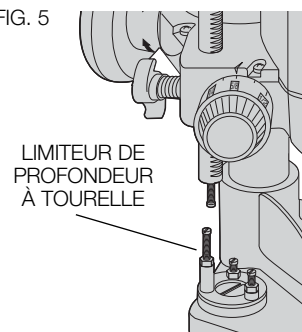
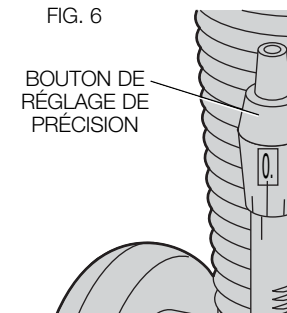


FIG. 6

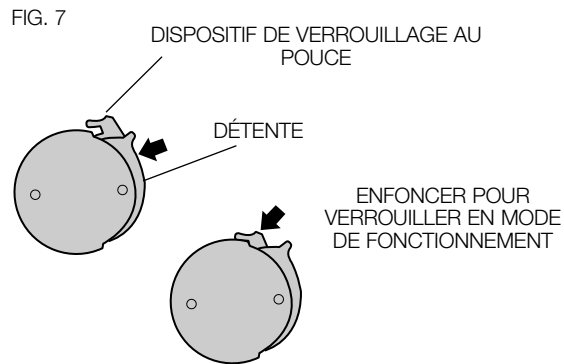


Interrupteur verrouillable (fig. 7)

L'interrupteur verrouillable en mode de fonctionnement ou d'arrêt se trouve dans la poignée du côté droit de l'outil. La toupie est normalement verrouillée en position d'arrêt.

Pour actionner la toupie, enfoncer le dispositif de verrouillage au pouce et la détente. Pour verrouiller l'outil en mode de fonctionnement, pousser le dispositif de verrouillage vers l'avant et relâcher la détente. Pour arrêter la toupie, relâcher l'interrupteur. Lorsque l'outil est verrouillé en mode de fonctionnement, appuyer de nouveau sur la détente et relâcher l'interrupteur.

NOTE : Desserrer le limiteur de la course plongeante et attendre que le chariot de la toupie retourne à sa position de repos avant d'arrêter la toupie.



UTILISATION

⚠AVERTISSEMENT : pour réduire le risque de blessures, éteindre l'appareil et le débrancher avant d'installer ou de retirer tout accessoire et avant d'effectuer des réglages ou des réparations. Un démarrage accidentel peut provoquer des blessures.

⚠ATTENTION : avant de connecter l'outil au secteur, vérifier que l'interrupteur est bien en position d'ARRÊT. Tout démarrage accidentel comporte des risques de dommages corporels..

⚠ATTENTION : mettre la toupie en marche avant de plonger l'organe de coupe dans la pièce à travailler.

Après avoir réglé la profondeur de coupe, placer la toupie de sorte que la fraise se trouve directement au-dessus de la surface à ouvrir. Lorsque la toupie fonctionne, l'abaisser doucement sur la surface. (NE PAS ABAISSER RAPIDEMENT LA TOUPIE.) Lorsque la toupie atteint la profondeur de coupe prédéterminée, serrer le dispositif de verrouillage de la course plongeante. À la fin des travaux, desserrer

le dispositif de verrouillage de la course plongeante et laisser le ressort remonter la toupie directement hors de la pièce.

NOTE : Toujours faire avancer la toupie dans le sens opposé à celui de rotation de la fraise.

Sens d'alimentation

Les figures 8 et 9 montrent le sens approprié d'alimentation pour des coupes typiques.

Ouvrir le rebord extérieur d'une pièce en a) ouvrant le grain du bout de gauche à droite, b) ouvrant le grain droit latéral de gauche à droite, c) en finissant l'autre grain du bout et d) en ouvrant le grain latéral qui reste.

le sens d'alimentation est important lorsqu'on se sert d'une toupie. s'assurer que la fraise tourne dans la pièce en se déplaçant de gauche à droite sur les rebords extérieurs et dans le sens horaire, sur les rebords intérieurs.

⚠AVERTISSEMENT : éviter tout usinage tangentiel en avalant (couper dans la direction opposée à celle indiquée en figure 8). L'usinage tangentiel en avalant augmente les risques de perdre le contrôle de l'outil et de dommages corporels. Lorsque c'est nécessaire (recul dans un coin), prendre des précautions extrêmes pour maintenir le contrôle de la toupie. Effectuer des coupes plus réduites et retirer un minimum de matériau à chaque passage.

Dé poussiérage

PRÉPARATION DE LA TOUPIE POUR LE DÉPOUSSIÉRAGE

1. Le cas échéant, insérer l'adaptateur pour boyau dans l'orifice de dé poussiérage (fig. 10).
2. Insérer l'extrémité d'un boyau d'aspirateur standard dans l'adaptateur.
3. Lorsqu'on utilise le système de dé poussiérage, s'assurer que l'aspirateur ne nuit pas et qu'il ne présente aucun risque de chute. Il faut également placer le boyau et le cordon de l'aspirateur de sorte qu'ils ne nuisent pas au bon fonctionnement de la toupie.

FIG. 8

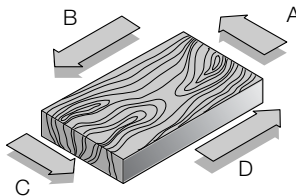


FIG. 9

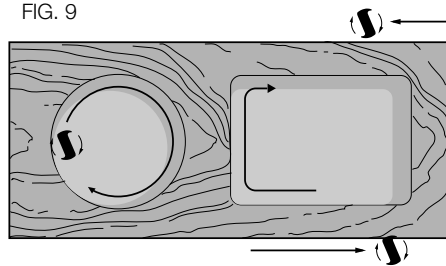
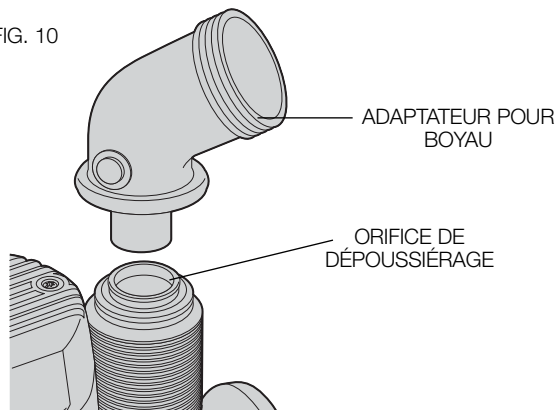


FIG. 10



Lorsque l'aspirateur ou le boyau nuisent au bon fonctionnement de la toupie, il vaut mieux ne pas s'en servir.

4. Mettre l'aspirateur en marche avant d'actionner la toupie.
5. Vider l'aspirateur au besoin.

NOTE : La toupie comporte un couvercle amovible en plastique transparent au-dessus de la zone de coupe. Ne pas effectuer de coupe en course plongeante à travers le couvercle. Ce protecteur facilite le dépeussierage.

La toupie comprend un couvercle pour l'orifice de dépeussierage. S'assurer qu'il est en place lorsqu'on ne se sert pas de l'orifice.

MAINTENANCE

⚠AVERTISSEMENT : *pour réduire le risque de blessures, éteindre l'appareil et le débrancher avant d'installer ou de retirer tout accessoire et avant d'effectuer des réglages ou des réparations. Un démarrage accidentel peut provoquer des blessures.*

Nettoyage

⚠AVERTISSEMENT : *enlever les saletés et la poussière hors des événements au moyen d'air comprimé propre et sec, au moins une fois par semaine. Pour minimiser le risque de blessure aux yeux, toujours porter une protection oculaire conforme à la norme ANSI Z87.1 lors du nettoyage.*

⚠AVERTISSEMENT : *ne jamais utiliser de solvants ni d'autres produits chimiques puissants pour nettoyer les pièces non métalliques de l'outil. Ces produits chimiques peuvent affaiblir les matériaux de plastique utilisés dans ces pièces. Utiliser un chiffon humecté uniquement d'eau et de savon doux. Ne jamais laisser de liquide pénétrer dans l'outil et n'immerger aucune partie de l'outil dans un liquide.*

Essuyer les tiges de plongée au moyen d'un linge SEC seulement. Ces tiges ne requièrent aucune lubrification; les lubrifiants attirent la poussière et réduisent le rendement de l'outil.

Accessoires

⚠️ AVERTISSEMENT : *puisque les accessoires autres que ceux offerts par DEWALT n'ont pas été testés avec ce produit, leur utilisation pourrait s'avérer dangereuse. Pour réduire le risque de blessures, utiliser exclusivement les accessoires DEWALT recommandés avec le présent produit.*

Les accessoires recommandés pour cet outil sont vendus séparément au centre de service de votre région. Pour obtenir de l'aide concernant l'achat d'un accessoire, communiquer avec DEWALT Industrial Tool Co., 701 East Joppa Road, Baltimore, MD 21286 aux États-Unis; composer le 1 800 433-9258 (1 800 4-DEWALT) ou visiter notre site Web : www.dewalt.com.

Réparations

Pour assurer la SÉCURITÉ et la FIABILITÉ du produit, les réparations, l'entretien et les réglages doivent être réalisés (cela comprend l'inspection et le remplacement du balai) par un centre de réparation en usine DEWALT, un centre de réparation agréé DEWALT ou par d'autres techniciens qualifiés. Toujours utiliser des pièces de rechange identiques.

Registre en ligne

Merci pour votre achat. Enregistrez dès maintenant votre produit:

- **RÉPARATIONS SOUS GARANTIE:** cette carte remplie vous permettra de vous prévaloir du service de réparations sous garantie de façon plus efficace dans le cas d'un problème avec le produit.
- **CONFIRMATION DE PROPRIÉTÉ:** en cas de perte provoquée par un incendie, une inondation ou un vol, cette preuve de propriété vous servira de preuve auprès de votre compagnie d'assurances.

- **SÉCURITÉ:** l'enregistrement de votre produit nous permettra de communiquer avec vous dans l'éventualité peu probable de l'envoi d'un avis de sécurité régi par la loi fédérale américaine de la protection des consommateurs.

Registrez en ligne à www.dewalt.com/register.

Garantie limitée de trois ans

DEWALT réparera, sans frais, tout produit défectueux causé par un défaut de matériel ou de fabrication pour une période de trois ans à compter de la date d'achat. La présente garantie ne couvre pas les pièces dont la défectuosité a été causée par une usure normale ou l'usage abusif de l'outil. Pour obtenir de plus amples renseignements sur les pièces ou les réparations couvertes par la présente garantie, visiter le site www.dewalt.com ou composer le 1 800 433-9258 (1 800 4-DEWALT). Cette garantie ne s'applique pas aux accessoires et ne vise pas les dommages causés par des réparations effectuées par un tiers. Cette garantie confère des droits légaux particuliers à l'acheteur, mais celui-ci pourrait aussi bénéficier d'autres droits variant d'un état ou d'une province à l'autre.

En plus de la présente garantie, les outils DEWALT sont couverts par notre :

CONTRAT D'ENTRETIEN GRATUIT D'UN AN

DEWALT entretiendra l'outil et remplacera les pièces usées au cours d'une utilisation normale et ce, gratuitement, pendant une période d'un an à compter de la date d'achat.

GARANTIE DE REMBOURSEMENT DE 90 JOURS

Si l'acheteur n'est pas entièrement satisfait, pour quelque raison que ce soit, du rendement de l'outil électrique, du laser ou de la cloueuse DEWALT, celui-ci peut le retourner, accompagné d'un reçu, dans les 90 jours à compter de la date d'achat pour obtenir un remboursement intégral, sans aucun problème.

AMÉRIQUE LATINE : cette garantie ne s'applique aux produits vendus en Amérique latine. Pour ceux-ci, veuillez consulter les informations relatives à la garantie spécifique présente dans l'emballage, appeler l'entreprise locale ou consulter le site Web pour les informations relatives à cette garantie.

REEMPLACEMENT GRATUIT DES ÉTIQUETTES D'AVERTISSEMENT : si les étiquettes d'avertissement deviennent illisibles ou sont manquantes, composer le 1 800 433-9258 (1 800 4-DeWALT) pour en obtenir le remplacement gratuit.

Français

DW621
2 HP (MAX MOTOR H.P.) ROUTER

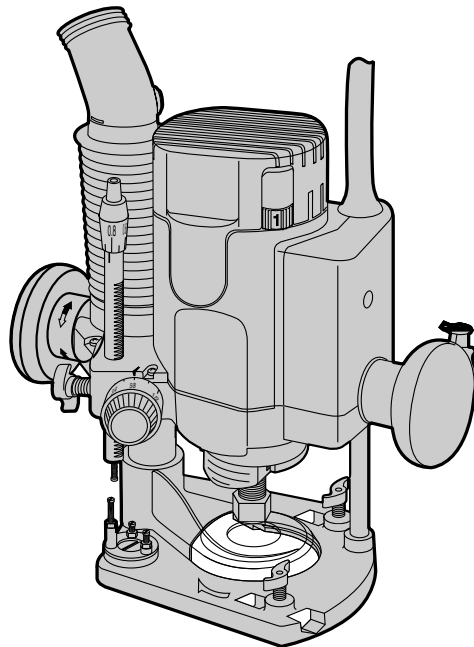
⚠ WARNING TO REDUCE THE RISK OF INJURY, USER MUST READ INSTRUCTION MANUAL. ALWAYS USE PROPER EYE AND RESPIRATORY PROTECTION. WHEN SERVICING USE ONLY IDENTICAL REPLACEMENT PARTS.

AVERTISSEMENT À TITRE PRÉVENTIF, LIRE LE GUIDE.

DeWALT INDUSTRIAL TOOL CO., BALTIMORE, MD 21286 U.S.A.
FOR SERVICE INFORMATION, CALL 1-800-4-DeWALT
www.DeWALT.com

⚠ ADVERTENCIA: PARA DISMINUIR EL RIESGO DE LESIONES, EL USUARIO DEBERÁ LEER EL MANUAL DE INSTRUCCIONES. SIEMPRE SE DEBERÁ LLEVAR LA PROTECCIÓN APROPIADA PARA LA VISTA Y PARA LAS VÍAS RESPIRATORIAS. UTILICE SOLAMENTE PIEZAS DE REPUESTO IDENTICAS.

⚠ AVERTISSEMENT: AFIN DE MINIMISER LES RISQUES DE BLESSURES, L'UTILISATEUR DOIT LIRE LE GUIDE D'UTILISATION. IL FAUT TOUJOURS PORTER DE L'EQUIPEMENT DE PROTECTION OCULAIRE ET RESPIRATOIRE APPROPRIÉ. UTILISER SEULEMENT DES PIÈCES DE RECHANGE IDENTIQUES.



Definiciones: Normas de seguridad

Las siguientes definiciones describen el nivel de gravedad de cada palabra de señal. Lea el manual y preste atención a estos símbolos.

⚠ PELIGRO: indica una situación de peligro inminente que, si no se evita, provocará **la muerte o lesiones graves**.

⚠ ADVERTENCIA: indica una situación de peligro potencial que, si no se evita, **podría** provocar **la muerte o lesiones graves**.

⚠ ATENCIÓN: indica una situación de peligro potencial que, si no se evita, **posiblemente** provocaría **lesiones leves o moderadas**.

AVISO: se refiere a una práctica **no relacionada a lesiones corporales** que de no evitarse **puede** resultar en **daños a la propiedad**.

SI TIENE ALGUNA DUDA O ALGÚN COMENTARIO SOBRE ÉSTA U OTRA HERRAMIENTA DEWALT, LLÁMENOS AL NÚMERO GRATUITO: **1-800-4-DEWALT (1-800-433-9258)**.



ADVERTENCIA: Para reducir el riesgo de lesiones, lea el manual de instrucciones.

Advertencias generales de seguridad para herramientas eléctricas



¡ADVERTENCIA! Lea todas las advertencias de seguridad e instrucciones. El incumplimiento de las advertencias e instrucciones puede provocar descargas eléctricas, incendios o lesiones graves.

**CONSERVE TODAS LAS ADVERTENCIAS
E INSTRUCCIONES PARA FUTURAS
CONSULTAS**

Español

El término “herramienta eléctrica” incluido en las advertencias hace referencia a las herramientas eléctricas operadas con corriente (con cable eléctrico) o a las herramientas eléctricas operadas con baterías (inalámbricas).

1) SEGURIDAD EN EL ÁREA DE TRABAJO

- a) **Mantenga el área de trabajo limpia y bien iluminada.** Las áreas abarrotadas y oscuras propician accidentes.
- b) **No opere las herramientas eléctricas en atmósferas explosivas, como ambientes donde haya polvo, gases o líquidos inflamables.** Las herramientas eléctricas originan chispas que pueden encender el polvo o los vapores.
- c) **Mantenga alejados a los niños y a los espectadores de la herramienta eléctrica en funcionamiento.** Las distracciones pueden provocar la pérdida de control.

2) SEGURIDAD ELÉCTRICA

- a) **Los enchufes de la herramienta eléctrica deben adaptarse al tomacorriente. Nunca modifique el enchufe de ninguna manera. No utilice ningún enchufe adaptador con herramientas eléctricas con conexión a tierra.** Los enchufes no modificados y que se adaptan a los tomacorrientes reducirán el riesgo de descarga eléctrica.
- b) **Evite el contacto corporal con superficies con descargas a tierra como, por ejemplo, tuberías, radiadores, cocinas eléctricas y refrigeradores.** Existe mayor riesgo de descarga eléctrica si su cuerpo está puesto a tierra.
- c) **No exponga las herramientas eléctricas a la lluvia o a condiciones de humedad.** Si entra agua a una herramienta eléctrica, aumentará el riesgo de descarga eléctrica.
- d) **No maltrate el cable. Nunca utilice el cable para transportar, tirar o desenchufar la herramienta eléctrica. Mantenga el cable alejado del calor, el aceite, los bordes filosos y las piezas móviles.** Los cables dañados o enredados aumentan el riesgo de descarga eléctrica.

- e) **Al operar una herramienta eléctrica en el exterior, utilice un cable prolongador adecuado para tal uso.** Utilice un cable adecuado para uso en exteriores a fin de reducir el riesgo de descarga eléctrica.
- f) **Si el uso de una herramienta eléctrica en un lugar húmedo es imposible de evitar, utilice un suministro protegido con un interruptor de circuito por falla a tierra (GFCI).** El uso de un GFCI reduce el riesgo de descargas eléctricas.

3) SEGURIDAD PERSONAL

- a) **Permanezca alerta, controle lo que está haciendo y utilice el sentido común cuando emplee una herramienta eléctrica. No utilice una herramienta eléctrica si está cansado o bajo el efecto de drogas, alcohol o medicamentos.** Un momento de descuido mientras se opera una herramienta eléctrica puede provocar lesiones personales graves.
- b) **Utilice equipos de protección personal. Siempre utilice protección para los ojos.** En las condiciones adecuadas, el uso de equipos de protección, como máscaras para polvo, calzado de seguridad antideslizante, cascos o protección auditiva, reducirá las lesiones personales.
- c) **Evite el encendido por accidente. Asegúrese de que el interruptor esté en la posición de apagado antes de conectarlo a la fuente de energía o paquete de baterías, o antes de levantar o transportar la herramienta.** Transportar herramientas eléctricas con el dedo apoyado en el interruptor o enchufar herramientas eléctricas con el interruptor en la posición de encendido puede propiciar accidentes.
- d) **Retire la clavija de ajuste o la llave de tuercas antes de encender la herramienta eléctrica.** Una llave de tuercas o una clavija de ajuste que quede conectada a una pieza giratoria de la herramienta eléctrica puede provocar lesiones personales.

- e) **No se estire. Conserve el equilibrio y párese adecuadamente en todo momento.** Esto permite un mejor control de la herramienta eléctrica en situaciones inesperadas.
- f) **Use la vestimenta adecuada. No use ropas holgadas ni joyas. Mantenga el cabello, la ropa y los guantes alejados de las piezas en movimiento.** Las ropas holgadas, las joyas o el cabello largo pueden quedar atrapados en las piezas en movimiento.
- g) **Si se suministran dispositivos para la conexión de accesorios con fines de recolección y extracción de polvo, asegúrese de que estén conectados y que se utilicen correctamente.** El uso de dispositivos de recolección de polvo puede reducir los peligros relacionados con el polvo.

4) USO Y MANTENIMIENTO DE LA HERRAMIENTA ELÉCTRICA

- a) **No fuerce la herramienta eléctrica. Utilice la herramienta eléctrica correcta para el trabajo que realizará.** Si se la utiliza a la velocidad para la que fue diseñada, la herramienta eléctrica correcta permite trabajar mejor y de manera más segura.
- b) **No utilice la herramienta eléctrica si no puede encenderla o apagarla con el interruptor.** Toda herramienta eléctrica que no pueda ser controlada mediante el interruptor es peligrosa y debe repararse.
- c) **Desconecte el enchufe de la fuente de energía o el paquete de baterías de la herramienta eléctrica antes de realizar ajustes, cambiar accesorios o almacenar la herramienta eléctrica.** Estas medidas de seguridad preventivas reducen el riesgo de encender la herramienta eléctrica en forma accidental.
- d) **Guarde la herramienta eléctrica que no esté en uso fuera del alcance de los niños y no permita que otras personas no familiarizadas con ella o con estas**

instrucciones operen la herramienta. Las herramientas eléctricas son peligrosas si son operadas por usuarios no capacitados.

- e) **Realice el mantenimiento de las herramientas eléctricas. Revise que no haya piezas en movimiento mal alineadas o trabadas, piezas rotas o cualquier otra situación que pueda afectar el funcionamiento de la herramienta eléctrica. Si encuentra daños, haga reparar la herramienta eléctrica antes de utilizarla.** Se producen muchos accidentes a causa de las herramientas eléctricas que carecen de un mantenimiento adecuado.
- f) **Mantenga las herramientas de corte afiladas y limpias.** Las herramientas de corte con mantenimiento adecuado y con los bordes de corte afilados son menos propensas a trabarse y son más fáciles de controlar.
- g) **Utilice la herramienta eléctrica, los accesorios y las brocas de la herramienta, etc. de acuerdo con estas instrucciones y teniendo en cuenta las condiciones de trabajo y el trabajo que debe realizarse.** El uso de la herramienta eléctrica para operaciones diferentes de aquéllas para las que fue diseñada podría originar una situación peligrosa.

5) MANTENIMIENTO

- a) **Solicite a una persona calificada en reparaciones que realice el mantenimiento de su herramienta eléctrica y que sólo utilice piezas de repuesto idénticas.** Esto garantizará la seguridad de la herramienta eléctrica.

Instrucciones adicionales específicas para rebajadoras

- **Sujete la herramienta eléctrica por superficies de agarre aisladas, porque la cuchilla puede entrar en contacto con su propio cable.** Cortar un cable bajo tensión puede transmitir corriente a las partes metálicas expuestas de la herramienta y producir una descarga eléctrica al operador.

- **Utilice abrazaderas u otra forma práctica para asegurar y sostener la pieza de trabajo sobre una plataforma estable.** Sostener el trabajo con la mano o contra el cuerpo no brinda la estabilidad requerida y puede llevar a la pérdida del control.
- **Corte de metales con el router: si utiliza el router para cortar metal, limpie con frecuencia la herramienta.** El polvo metálico y las virutas se acumulan a menudo en las superficies interiores y pueden suponer un riesgo de lesiones graves, electrocución e incluso muerte.
- **No ponga nunca en funcionamiento la unidad del motor separada de la base.** El motor no está diseñado para ser sujetado con las manos.
- **Conserve los mangos secos, limpios y libres de aceite y grasa.** Esto le permitirá controlar mejor la herramienta.
- **Sujete bien la herramienta con ambas manos para resistir el momento de arranque.** Agarre firmemente la herramienta en todo momento mientras esté en funcionamiento.
- **Use cortadores afilados.** Las cuchillas desafiladas pueden hacer que la sierra se desvíe o se atasque al recibir presión.
- **Mantenga las manos alejadas de la zona de corte por encima y por debajo de la base. No ponga nunca la mano debajo de la pieza de trabajo por ningún motivo.** Conserve la base de la rebajadora en contacto firme con la pieza de trabajo cuando corte.
- **Nunca toque las fresas después de utilizar la herramienta. Las fresas podrían estar sumamente calientes.**
- **Asegúrese que el motor haya parado por completo antes de poner la herramienta.** Si la broca sigue girando cuando la herramienta esté puesta a un lado, podría causar lesiones o daños.
- **Antes de encender el motor asegúrese que la fresa de la rebajadora no esté en contacto con el material de trabajo.** Si la fresa está haciendo contacto con la pieza de trabajo, podría hacer saltar la rebajadora y ocasionar daño o lesiones personales.
- **Siga siempre las recomendaciones de velocidad del fabricante de la broca puesto que algunos diseños de broca requieren velocidades específicas para seguridad o rendimiento.** Si no está seguro de la velocidad adecuada o tiene cualquier tipo de problema, contacte con el fabricante de la broca.
- **No utilice en esta herramienta con brocas de rebajadora de un diámetro superior a 60 mm (2-3/8").**
- **No sujete la rebajadora con las manos en posición boca abajo u horizontal.** El motor puede separarse de la base si no está bien fijo según las instrucciones.
- **Antes de poner en marcha el motor, compruebe que el cable no se enganche ni impida la operación de rebajado.**
- **Antes de poner el motor en marcha, despeje el área de trabajo de todos los objetos extraños.**
- **Mantenga constante la presión de corte. No sobrecargue el motor.**
- **Deje espacio bajo la pieza de trabajo para la broca cuando realice cortes con traspaso.**
- **No presione el botón de bloqueo del eje mientras el motor esté en funcionamiento.** El hacerlo puede dañar el bloqueo del eje.
- **Asegúrese siempre de que la superficie de trabajo no tenga clavos ni otros objetos extraños.** El cortar un clavo puede hacer que la broca y la herramienta salten.
- **Los orificios de ventilación suelen cubrir piezas en movimiento, por lo que también se deben evitar.** Las piezas en movimiento pueden atrapar prendas de vestir sueltas, joyas o el cabello largo.
- **El cable de extensión deben ser de un calibre apropiado para su seguridad.** Mientras menor sea el calibre del hilo, mayor la capacidad del cable. Es decir, un hilo calibre 16 tiene mayor capacidad que uno de 18. Un cable de un calibre insuficiente causará una caída en la tensión de la línea dando por resultado una pérdida de energía y sobrecalentamiento.

Cuando se utilice más de un alargador para completar el largo total, asegúrese que los hilos de cada alargador tengan el calibre mínimo. La tabla siguiente muestra el tamaño correcto a utilizar, dependiendo de la longitud del cable y del amperaje nominal de la placa de identificación. Si tiene dudas sobre cuál calibre usar, use un calibre mayor. Cuanto más pequeño sea el número del calibre, más resistente será el cable.

Calibre mínimo para cables de alimentación						
Amperaje		Voltios	Largo total del cordón en metros (pies)			
		120 V	7,6 (25)	15,2 (50)	30,5 (100)	45,7 (150)
		240 V	15,2 (50)	30,5 (100)	61,0 (200)	91,4 (300)
Más de	No más de	AWG				
0	6		18	16	16	14
6	10		18	16	14	12
10	12		16	16	14	12
12	16		14	12	No recomendado	

⚠ADVERTENCIA: Use **SIEMPRE** lentes de seguridad. Los anteojos de diario **NO SON** lentes de seguridad. Utilice además una cubrebocas o mascarilla antipolvo si la operación de corte genera demasiado polvo. **SIEMPRE LLEVE EQUIPO DE SEGURIDAD CERTIFICADO:**

- Protección ocular ANSI Z87.1 (CAN/CSA Z94.3),
- Protección auditiva ANSI S12.6 (S3.19),
- Protección respiratoria NIOSH/OSHA/MSHA.

⚠ADVERTENCIA: Algunas partículas de polvo generadas al lijar, serrar, esmerilar y taladrar con herramientas eléctricas, así como al realizar otras actividades de construcción, contienen químicos

que el Estado de California sabe que pueden producir cáncer, defectos congénitos u otras afecciones reproductivas. Ejemplos de estos químicos son:

- plomo de algunas pinturas en base a plomo,
- polvo de sílice proveniente de ladrillos y cemento y otros productos de albañilería, y
- arsénico y cromo provenientes de madera tratada químicamente.

Su riesgo de exposición a estos químicos varía, dependiendo de la frecuencia con la cual realiza usted este tipo de trabajo. Para reducir su exposición a estas sustancias químicas: trabaje en una zona bien ventilada y llevando equipos de seguridad aprobados, como mascarillas antipolvo especialmente diseñadas para filtrar partículas microscópicas.

- **Evite el contacto prolongado con polvo generado por el lijado, aserrado, pulido, taladrado y otras actividades de construcción. Vista ropas protectoras y lave las áreas de la piel expuestas con agua y jabón.** Si permite que el polvo se introduzca en la boca u ojos o quede sobre la piel, puede favorecer la absorción de productos químicos peligrosos.

⚠ADVERTENCIA: La utilización de esta herramienta puede generar polvo o dispersarlo, lo que podría causar daños graves y permanentes al sistema respiratorio, así como otras lesiones. Siempre use protección respiratoria aprobada por NIOSH (Instituto Nacional de Seguridad y Salud en el Trabajo) u OSHA (Administración de Seguridad y Salud en el Trabajo) apropiada para la exposición al polvo. Dirija las partículas en dirección contraria a la cara y el cuerpo.

⚠ADVERTENCIA: Siempre lleve la debida protección auditiva personal en conformidad con ANSI S12.6 (S3.19) durante el uso de esta herramienta. Bajo algunas condiciones y duraciones de uso, el ruido producido por este producto puede contribuir a la pérdida auditiva.

- La etiqueta de su herramienta puede incluir los siguientes símbolos. A continuación se indican los símbolos y sus definiciones:

V..... voltios	A amperios
Hz..... hertz	W vatios
min minutos	~ corriente alterna
== corriente directa	⌚ corriente alterna o directa
Ⓜ Construcción de Clase I (tierra)	n _o velocidad sin carga
Ⓜ Construcción de Clase II (doble aislamiento)	n..... velocidad nominal
.../min por minuto	⊕ terminal de conexión a tierra
IPM impactos por minuto	⚠ símbolo de advertencia de seguridad
BPM golpes por minuto	
RPM revoluciones por minuto	
SPM pasadas por minuto	
sfpm pies de superficie por minuto	

GUARDE ESTAS INSTRUCCIONES PARA FUTURAS CONSULTAS

Motor

Asegúrese de que la fuente de energía concuerde con lo que se indica en la placa. Un descenso en el voltaje de más del 10% producirá una pérdida de potencia y sobrecalentamiento. Todas las herramientas DEWALT son probadas en fábrica; si esta herramienta no funciona, verifique el suministro eléctrico.

USO DEBIDO

Esta rebajadora para trabajos pesados está diseñada para aplicaciones de rebajado profesional.

NO utilice la herramienta en condiciones de humedad o en presencia de líquidos o gases inflamables.

Esta es una máquina herramienta profesional. **NO** permita que los niños toquen la herramienta. Si el operador no tiene experiencia operando esta herramienta, su uso deberá ser supervisado.

⚠ADVERTENCIA: Nunca modifique la herramienta eléctrica, ni tampoco ninguna de sus piezas. Podría producir lesiones corporales o daños.

MONTAJE Y AJUSTES

⚠ADVERTENCIA: Para reducir el riesgo de lesiones personales graves, apague la herramienta y desconéctela de la fuente de alimentación antes de instalar y retirar accesorios, ajustar o cambiar configuraciones o realizar reparaciones. Un arranque accidental podría causar lesiones.

Instalación y remoción de cuchillas

NOTA: Siempre coloque firmemente la boquilla en la tuerca de la boquilla (más allá del resorte de retén) antes de instalar una cuchilla. Utilice la llave suministrada y oprima el botón de seguro de la flecha para aflojar (en sentido contrario a las manecillas del reloj) la tuerca de la boquilla, como se muestra en la figura 1.

Inserte el vástago cilíndrico de la cuchilla que desee tanto como sea posible en la boquilla una vez aflojada, a continuación tire de la cuchilla aproximadamente 1,5 mm (1/16"). Sujete el eje del husillo presionando el botón de bloqueo del husillo mientras aprieta firmemente la tuerca de sujeción con la llave provista para evitar que la broca se resbale.

Su rebajadora cuenta con un sistema único que le permite asegurarla para retener la cuchilla. Cuando quite una cuchilla, la tuerca de la boquilla debe aflojarse con la llave. La tuerca de la boquilla girará aproximadamente 3/4 de vuelta y se apretará otra vez. En este punto la cuchilla no puede removerse. Con el mismo procedimiento, afloje la tuerca por segunda vez. Esto levantará la boquilla y hará muy fácil la remoción de la cuchilla.

FIG. 1

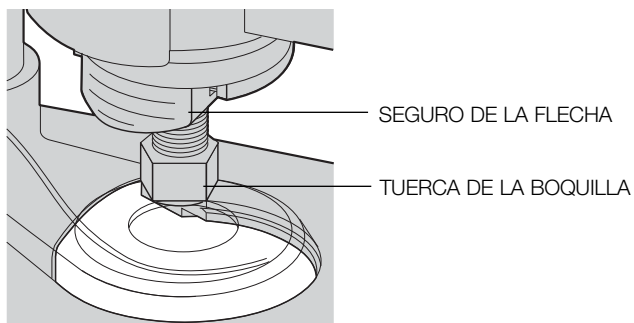


FIG. 2

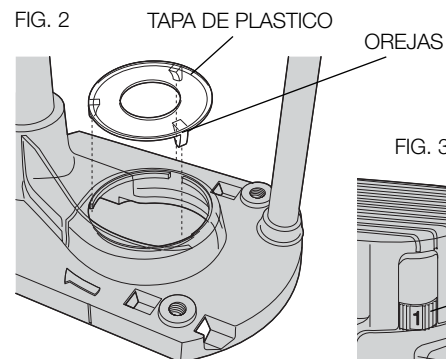


FIG. 3

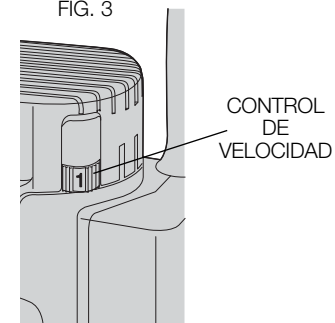
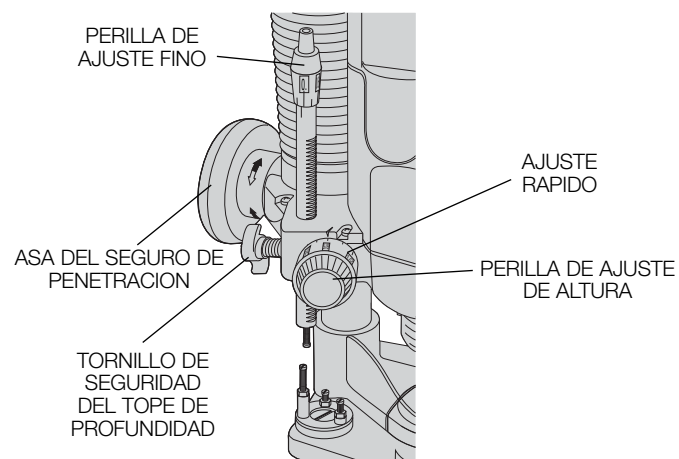


FIG. 4



NOTA: Su rebajadora está equipada con una tapa de plástico transparente sobre el área de corte. Esta tapa le asiste para la extracción de polvo. Cuando instale una cuchilla de más de 28 mm (1-1/8") de diámetro, asegúrese de quitar la tapa de plástico o colóquela por arriba de la porción afilada de la cuchilla (fig. 2). Para quitar la tapa, empújela desde abajo de la rebajadora. Para instalarla de nuevo, haga coincidir las orejas (fig. 2) y presiónelas en su sitio.

Boquillas

⚠ADVERTENCIA: Peligro de proyectil. Use solamente brocas con vástagos que se correspondan con el collar instalado. Las brocas con vástagos más pequeños no estarán seguras y podrían aflojarse durante el funcionamiento.

⚠ATENCIÓN: Nunca apriete la mordaza sin antes haber instalado una cuchilla en ella. Apretar una mordaza vacía, aún a mano, puede dañarla.

Esta herramienta viene con collares de sujeción de 6,35 mm (1/4") y 12,7 mm (1/2"). Para cambiar tamaños de boquilla, destornille el montaje de la boquilla, como se describió anteriormente. La boquilla y la tuerca de la boquilla están conectadas. No intente separar la boquilla de la tuerca.

Controles

CONTROL ELECTRONICO DE VELOCIDAD

Su rebajadora tiene velocidad variable. utilice el control electrónico de velocidad (fig. 3) para producir cortes uniformes en madera, plásticos y aluminio. Utilice las posiciones bajas (1-3) para cuchillas de diámetros grandes y las posiciones altas para cuchillas de diámetro pequeño. Consulte el Tabla A para obtener mayor información.

Su rebajadora está equipada con velocidad de corte constante, al aumentar la carga, la velocidad seleccionada no disminuye bajo condiciones normales de uso. El control electrónico gobierna al motor y le proporciona un acabado consistente para su trabajo. Solamente bajo cargas muy pesadas la velocidad de la unidad puede disminuir.

Para ajustar la velocidad de la rebajadora (de 8,000 rpm a 24,000 rpm) gire la perilla de control de velocidad mostrado en la figura 3. Mientras mayor sea el número, mayor será la velocidad. Consulte la tabla que sigue para ayudarse a seleccionar la velocidad apropiada para su aplicación.

TABLA A: SELECCIÓN DE VELOCIDAD

POSICIÓN DEL SELECTOR	RPM APROXIMADAS
1	8,000
2	12,000
3	14,000
4	18,000
5	21,000
6	24,000

Las velocidades que aparecen en esta tabla son aproximadas y se ofrecen solamente a título de referencia. Su rebajadora quizás no

produzca exactamente la velocidad indicada para la posición del selector.

⚠️ ADVERTENCIA: *Siga siempre las recomendaciones de velocidad del fabricante de la broca puesto que algunos diseños de broca requieren velocidades específicas por razones de seguridad o rendimiento.*

Si no está seguro de la velocidad adecuada o tiene cualquier tipo de problema, contacte con el fabricante de la broca.

⚠️ ADVERTENCIA: No opere herramientas clasificadas “solamente CA” en un suministro de CC. Puede producirse una pérdida de control de velocidad, que ocasione daño a la herramienta y un posible peligro al operador.

⚠️ ADVERTENCIA: *Si el control de velocidad deja de funcionar, o está intermitente, deje de usar la herramienta inmediatamente. Llévela a una fábrica o centro de servicio autorizado DEWALT para que sea reparada.*

AVISO: *La rebajadora está equipada con un dispositivo electrónico para controlar y mantener la velocidad de la herramienta al cortar. En funcionamiento a velocidad baja y media, el control de velocidad evita que disminuya la velocidad del motor. Si espera a oír un cambio de velocidad y continúa cargando el motor, podría dañar el motor sobrecalentándolo. Reduzca la profundidad del corte y/o disminuya la velocidad de alimentación para evitar producir daños a la herramienta.*

Ajuste de la profundidad de corte

AJUSTE RAPIDO UTILIZANDO EL AJUSTE DE ALTURA DE PI—ON Y CREMALLERA (FIG. 4)

1. Puede ser necesario quitar la tapa de plástico antes de hacer ajustes.
2. Quite el seguro del mango de penetración
3. Baje el carro de la rebajadora hasta que la cuchilla haga contacto con la pieza de trabajo.
4. Apriete el limitador de penetración girándolo en sentido a las manecillas del reloj.

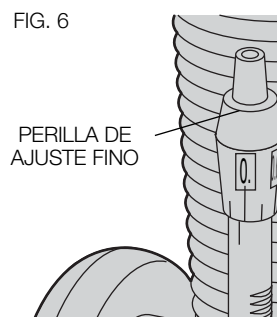
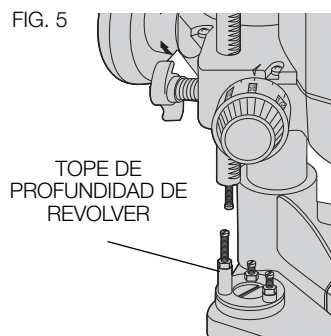
5. Gire la perilla de ajuste de altura en sentido contrario a las manecillas del reloj hasta que haga contacto con el tope de profundidad de revólver (fig. 5).
6. Coloque el ajuste rápido en cero, girando la perilla del aro interior en el sentido de las manecillas del reloj.
7. Ajuste la profundidad de corte girando la perilla de ajuste de altura en el sentido de las manecillas del reloj hasta que obtenga la profundidad deseada. El rango de ajuste se indica con la flecha.
8. Apriete el limitador de penetración girando el tornillo del tope de profundidad en el sentido de las manecillas del reloj.

AJUSTE TRIPLE DE PROFUNDIDAD CON EL TOPE DE PROFUNDIDAD DE REVOLVER (FIG. 5)

▲ADVERTENCIA: No cambie el tope de profundidad tipo revólver mientras la rebajadora esté en funcionamiento. Esto hará que sus manos estén demasiado cerca del cabezal de corte.

El tope de profundidad de revólver se puede emplear para ajustar tres profundidades diferentes, realizando los pasos.

1. Coloque una plantilla entre el tope de profundidad y el tope de profundidad de revólver para ajustar la profundidad de corte exacta.
2. En caso que se requiera, ajuste los tres tornillos.



AJUSTE FINO (FIG. 6)

Utilice el ajuste fino cuando no emplee una plantilla de profundidad, o si necesita reajustar la profundidad de corte.

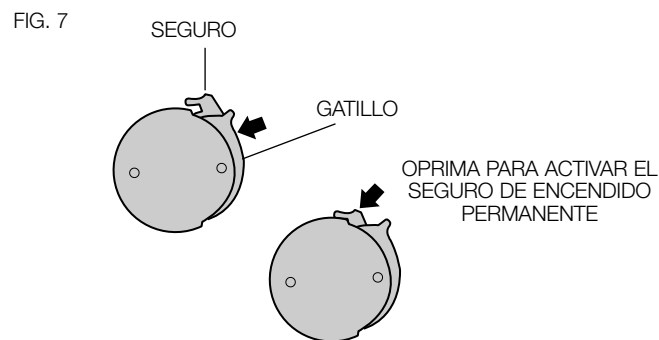
1. Ajuste la profundidad de corte como se describió anteriormente.
2. Coloque el ajuste fino en cero con el aro interior. sujete la porción superior mientras coloca el aro interior en cero.
3. Gire el ajuste fino a la posición requerida. Las graduaciones están en la parte superior de la perilla de ajuste fino.

Interruptor con seguro de encendido/ seguro de apagado (Fig. 7)

El interruptor con seguro de encendido/seguro de apagado se encuentra en el mango hacia el lado derecho. La rebajadora normalmente se encuentra con el seguro de apagado activado.

Para encender la rebajadora, presione el botón con el pulgar y oprima el gatillo. Para asegurar la herramienta en posición de encendido, oprima el gatillo, presione el botón hacia adelante y suelte el gatillo. Para apagar la rebajadora, libere el interruptor. Si la herramienta se encuentra asegurada en posición de encendido, oprima de nuevo el gatillo y suelte el interruptor.

NOTA: Afloje el limitador de penetración y permita que el carro de la rebajadora regrese a su posición de descanso antes de apagar el interruptor.



OPERACIÓN

⚠ADVERTENCIA: Para reducir el riesgo de lesiones personales graves, apague la herramienta y desconéctela de la fuente de alimentación antes de instalar y retirar accesorios, ajustar o cambiar configuraciones o realizar reparaciones. Un arranque accidental podría causar lesiones.

⚠ATENCIÓN: Antes de conectar la herramienta a la fuente de alimentación, compruebe que el interruptor esté en la posición de APAGADO ("OFF"). La puesta en marcha accidental puede causar lesiones.

⚠ATENCIÓN: Encienda la rebajadora antes de penetrar la pieza de trabajo con el cabezal de corte.

Después de fijar la profundidad de corte como se describió, coloque la rebajadora de modo que la cuchilla quede exactamente arriba del sitio en que desea cortar. Con la rebajadora en funcionamiento, baje lentamente la unidad hacia la pieza de trabajo. (NO ATORE LA REBAJADORA ABAJO.) Cuando la herramienta alcance la profundidad preseleccionada, apriete el seguro de penetración. Cuando haya terminado de rebajar, afloje el seguro de penetración y permita que el resorte levante la rebajadora directamente hacia afuera de la pieza de trabajo.

NOTA: Siempre alimente la rebajadora en dirección opuesta al movimiento de rotación de la cuchilla.

Dirección de alimentación

Las figuras 8 y 9 muestran la dirección de alimentación apropiada para algunos tipos de corte básicos.

Recorte el borde exterior de una pieza de desperdicio de la siguiente manera: (a), rebaje un extremo a contrahilo, de izquierda a derecha; (b) recorte al hilo de izquierda a derecha; (c) rebaje el extremo contrario a contra hilo, y (d) rebaje el lado restante al hilo.

El sentido de alimentación es muy importante en el manejo de las rebajadoras. Asegúrese que la cuchilla esté girando en contacto con la pieza moviendo de izquierda a derecha en los bordes

FIG. 8

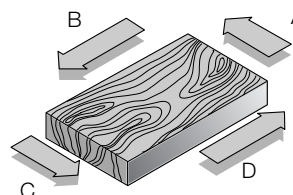


FIG. 9

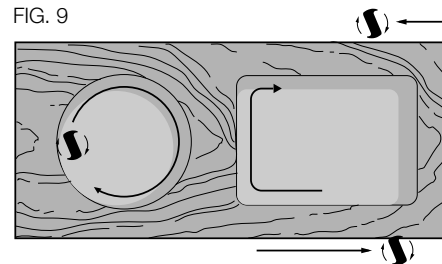
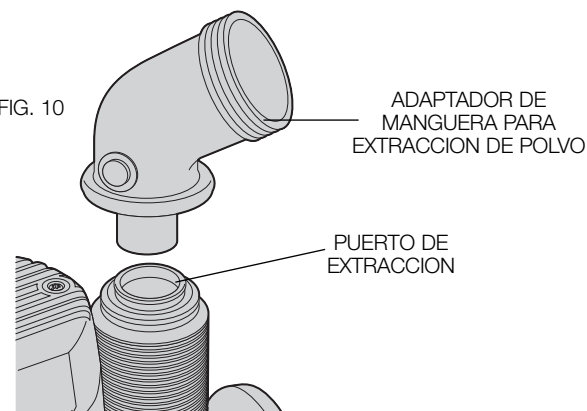


FIG. 10



exteriores y en el sentido de las manecillas del reloj en el caso de cortes interiores.

⚠ADVERTENCIA: *Evite el fresado concurrente (cortar en dirección opuesta a como se muestra en la Figura 8).* El fresado concurrente aumenta la posibilidad de pérdida de control, la cual podría provocar lesiones. Cuando se requiere el fresado concurrente (al invertir la marcha alrededor de una esquina), tenga muchísimo cuidado para mantener el control de la rebajadora. Realice cortes más pequeños y elimine una cantidad mínima de material en cada pasada.

Recolección y extracción de polvo

PARA AJUSTAR LA REBAJADORA PARA EXTRACCION DE POLVO:

1. Si se requiere, inserte el adaptador de manguera para extracción de polvo en el puerto de extracción de polvo (fig. 10).
2. Deslice el extremo de cualquier tubo de aspiradora estándar en el adaptador para manguera.
3. Cuando utilice la extracción de polvo, asegúrese que la aspiradora esté fuera del camino y que usted no tropezará con ella ni interferirá con la rebajadora o la pieza de trabajo. La manguera de la aspiradora y el cable eléctrico deben colocarse de manera que igual no interfieran. Si la aspiradora o la manguera no se pueden colocar correctamente, deben retirarse.
4. Encienda la aspiradora antes que la rebajadora.
5. Vacíe la aspiradora con la frecuencia necesaria.

NOTA: la rebajadora viene con una guarda de plástico transparente desmontable sobre la zona de corte. No intente cortar a través de la guarda de plástico. Es útil para la recolección de polvo.

Su rebajadora incluye una tapa para extracción de polvo. Asegúrese que esté colocada sobre el puerto de extracción de polvo si no utiliza una aspiradora.

MANTENIMIENTO

⚠ADVERTENCIA: *Para reducir el riesgo de lesiones personales graves, apague la herramienta y desconéctela de la fuente de alimentación antes de instalar y retirar accesorios, ajustar o cambiar configuraciones o realizar reparaciones. Un arranque accidental podría causar lesiones.*

Limpieza

⚠ADVERTENCIA: *Sople la suciedad y el polvo de todos los conductos de ventilación con aire seco, al menos una vez por semana. Para reducir el riesgo de lesiones, utilice siempre protección para los ojos aprobada ANSI Z87.1 al realizar esta tarea.*

⚠ADVERTENCIA: *Nunca utilice solventes ni otros químicos abrasivos para limpiar las piezas no metálicas de la herramienta. Estos productos químicos pueden debilitar los materiales plásticos utilizados en estas piezas. Utilice un paño humedecido sólo con agua y jabón neutro. Nunca permita que penetre líquido dentro de la herramienta ni sumerja ninguna de las piezas en un líquido.*

Utilice únicamente un trapo SECO para limpiar las varillas de penetración. Los lubricantes atraen el polvo, afectando el desempeño de su herramienta.

Accesorios

⚠ADVERTENCIA: *Debido a que no se han probado con este producto otros accesorios que no sean los que ofrece DEWALT, el uso de dichos accesorios con esta herramienta podría ser peligroso. Para reducir el riesgo de lesiones, con este producto deben usarse sólo los accesorios recomendados por DEWALT.*

Los accesorios que se recomiendan para utilizar con la herramienta están disponibles a un costo adicional en su distribuidor local o en un centro de mantenimiento autorizado. Si necesita ayuda para localizar algún accesorio, póngase en contacto con DEWALT Industrial Tool Co., 701 East Joppa Road, Baltimore, MD 21286, llame al 1-800-4-DEWALT (1-800-433-9258) o visite nuestro sitio Web: www.dewalt.com.

Reparaciones

Para asegurar la SEGURIDAD y la CONFIABILIDAD del producto, las reparaciones, el mantenimiento y los ajustes deben (inclusive inspección y cambio de carbones) ser realizados en un centro de mantenimiento en la fábrica DEWALT, en un centro de mantenimiento autorizado DEWALT u por otro personal de mantenimiento calificado. Utilice siempre piezas de repuesto idénticas.

PARA REPARACIÓN Y SERVICIO DE SUS HERRAMIENTAS ELÉCTRICAS, FAVOR DE DIRIGIRSE AL CENTRO DE SERVICIO MÁS CERCANO

CULIACAN, SIN

Blvd.Emiliano Zapata 5400-1 Poniente
Col. San Rafael (667) 717 89 99

GUADALAJARA, JAL

Av. La Paz #1779 - Col. Americana Sector Juárez (33) 3825 6978

MEXICO, D.F.

Eje Central Lázaro Cárdenas No. 18
Local D, Col. Obrera (55) 5588 9377

MERIDA, YUC

Calle 63 #459-A - Col. Centro (999) 928 5038

MONTERREY, N.L.

Av. Francisco I. Madero 831 Poniente - Col. Centro (818) 375 23 13

PUEBLA, PUE

17 Norte #205 - Col. Centro (222) 246 3714

QUERETARO, QRO

Av. San Roque 274 - Col. San Gregorio (442) 2 17 63 14

SAN LUIS POTOSI, SLP

Av. Universidad 1525 - Col. San Luis (444) 814 2383

TORREON, COAH

Blvd. Independencia, 96 Pte. - Col. Centro (871) 716 5265

VERACRUZ, VER

Prolongación Díaz Mirón #4280 - Col. Remes (229) 921 7016

VILLAHERMOSA, TAB

Constitución 516-A - Col. Centro (993) 312 5111

PARA OTRAS LOCALIDADES:

Si se encuentra en México, por favor llame al (55) 5326 7100

Si se encuentra en U.S., por favor llame al

1-800-433-9258 (1-800 4-DEWALT)

Póliza de Garantía

IDENTIFICACIÓN DEL PRODUCTO:

Sello o firma del Distribuidor.

Nombre del producto: _____ Mod./Cat.: _____

Marca: _____ Núm. de serie: _____

(Datos para ser llenados por el distribuidor)

Fecha de compra y/o entrega del producto: _____

Nombre y domicilio del distribuidor donde se adquirió el producto: _____

Este producto está garantizado por un año a partir de la fecha de entrega, contra cualquier defecto en su funcionamiento, así como en materiales y mano de obra empleados para su fabricación. Nuestra garantía incluye la reparación o reposición del producto y/o componentes sin cargo alguno para el cliente, incluyendo mano de obra, así como los gastos de transportación razonablemente erogados derivados del cumplimiento de este certificado.

Para hacer efectiva esta garantía deberá presentar su herramienta y esta póliza sellada por el establecimiento comercial donde se adquirió el producto, de no contar con ésta, bastará la factura de compra.

EXCEPCIONES

Esta garantía no será válida en los siguientes casos:

- Cuando el producto se hubiese utilizado en condiciones distintas a las normales;
- Cuando el producto no hubiese sido operado de acuerdo con el instructivo de uso que se acompaña;
- Cuando el producto hubiese sido alterado o reparado por personas distintas a las enlistadas al final de este certificado.

Anexo encontrará una relación de sucursales de servicio de fábrica, centros de servicio autorizados y franquiciados en la República Mexicana, donde podrá hacer efectiva su garantía y adquirir partes, refacciones y accesorios originales.

Registro en línea

Gracias por su compra. Registre su producto ahora para:

- **SERVICIO EN GARANTÍA:** Si completa esta tarjeta, podrá obtener un servicio en garantía más eficiente, en caso de que exista un problema con su producto.
- **CONFIRMACIÓN DE PROPIEDAD:** En caso de una pérdida que cubra el seguro, como un incendio, una inundación o un robo, el registro de propiedad servirá como comprobante de compra.
- **PARA SU SEGURIDAD:** Si registra el producto, podremos comunicarnos con usted en el caso improbable que se deba enviar una notificación de seguridad conforme a la Federal Consumer Safety Act (Ley Federal de Seguridad de Productos para el Consumidor).

Registro en línea en www.dewalt.com/register.

Garantía limitada por tres años

DEWALT reparará, sin cargo, cualquier falla que surja de defectos en el material o la fabricación del producto, por hasta tres años a contar de la fecha de compra. Esta garantía no cubre fallas de las piezas causadas por su desgaste normal o abuso a la herramienta.

Para mayores detalles sobre la cobertura de la garantía e información acerca de reparaciones realizadas bajo garantía, visítenos en www.dewalt.com o diríjase al centro de servicio más cercano. Esta garantía no aplica a accesorios o a daños causados por reparaciones realizadas o intentadas por terceros. Esta garantía le otorga derechos legales específicos, además de los cuales puede tener otros dependiendo del estado o la provincia en que se encuentre.

Además de la garantía, las herramientas DEWALT están cubiertas por:

1 AÑO DE SERVICIO GRATUITO

DEWALT mantendrá la herramienta y reemplazará las piezas gastadas por su uso normal, sin cobro, en cualquier momento durante un año a contar de la fecha de compra. Los artículos gastados por la clavadora, tales como la unidad de hoja y retorno del impulsador, no están cubiertas.

GARANTÍA DE REEMBOLSO DE SU DINERO POR 90 DÍAS

Si no está completamente satisfecho con el desempeño de su máquina herramienta, láser o clavadora DEWALT, cualquiera sea el motivo, podrá devolverlo hasta 90 días de la fecha de compra con su recibo y obtener el reembolso completo de su dinero – sin necesidad de responder a ninguna pregunta.

AMÉRICA LATINA: Esta garantía no se aplica a los productos que se venden en América Latina. Para los productos que se venden en América Latina, debe consultar la información de la garantía específica del país que viene en el empaque, llamar a la compañía local o visitar el sitio Web a fin de obtener esa información.

REEMPLAZO GRATUITO DE LAS ETIQUETAS DE ADVERTENCIAS: Si sus etiquetas de advertencia se vuelven ilegibles o faltan, llame al 1-800-4-DeWALT (1-800-433-9258) para que se le reemplacen gratuitamente.

DW621
2 HP (MAX MOTOR H.P.) ROUTER

⚠ WARNING TO REDUCE THE RISK OF INJURY, USER MUST READ INSTRUCTION MANUAL. ALWAYS USE PROPER EYE AND RESPIRATORY PROTECTION. WHEN SERVICING USE ONLY IDENTICAL REPLACEMENT PARTS.

AVERTISSEMENT À TITRE PRÉVENTIF, LIRE LE GUIDE.

DeWALT INDUSTRIAL TOOL CO., BALTIMORE, MD 21286 U.S.A.
FOR SERVICE INFORMATION, CALL 1-800-4-DeWALT
www.DeWALT.com

⚠ ADVERTENCIA: PARA DISMINUIR EL RIESGO DE LESIONES, EL USUARIO DEBERÁ LEER EL MANUAL DE INSTRUCCIONES. SIEMPRE SE DEBERÁ LLEVAR LA PROTECCIÓN APROPIADA PARA LA VISTA Y PARA LAS VÍAS RESPIRATORIAS. UTILICE SOLAMENTE PIEZAS DE REPUESTO IDENTICAS.

⚠ AVERTISSEMENT: AFIN DE MINIMISER LES RISQUES DE BLESSURES, L'UTILISATEUR DOIT LIRE LE GUIDE D'UTILISATION. IL FAUT TOUJOURS PORTER DE L'EQUIPEMENT DE PROTECTION OCULAIRE ET RESPIRATOIRE APPROPRIÉ. UTILISER SEULEMENT DES PIÈCES DE RECHANGE IDENTIQUES.

SOLAMENTE PARA PROPÓSITO DE MÉXICO:
IMPORTADO POR: DEWALT INDUSTRIAL TOOL CO. S.A. DE C.V.
AVENIDA ANTONIO DOVALI JAIME, # 70 TORRE B PISO 9
COLONIA LA FE, SANTA FÉ
CÓDIGO POSTAL : 01210
DELEGACIÓN ALVARO OBREGÓN
MÉXICO D.F.
TEL. (52) 555-326-7100
R.F.C.: BDE810626-1W7

Para servicio y ventas consulte
"HERRAMIENTAS ELECTRICAS"
en la sección amarilla.



Español

— |

| —

— |

| —

— |

| —

— |

| —

— |

| —

— |

| —

DEWALT Industrial Tool Co., 701 East Joppa Road, Baltimore, MD 21286
(MAY14) Part No. N384544 DW621 Copyright © 1996, 2014 DEWALT

The following are trademarks for one or more DEWALT power tools: the yellow and black color scheme; the "D" shaped air intake grill; the array of pyramids on the handgrip; the kit box configuration; and the array of lozenge-shaped humps on the surface of the tool.