

**DEWALT®**

---

English

6

---

한국어

16

---

Figure A

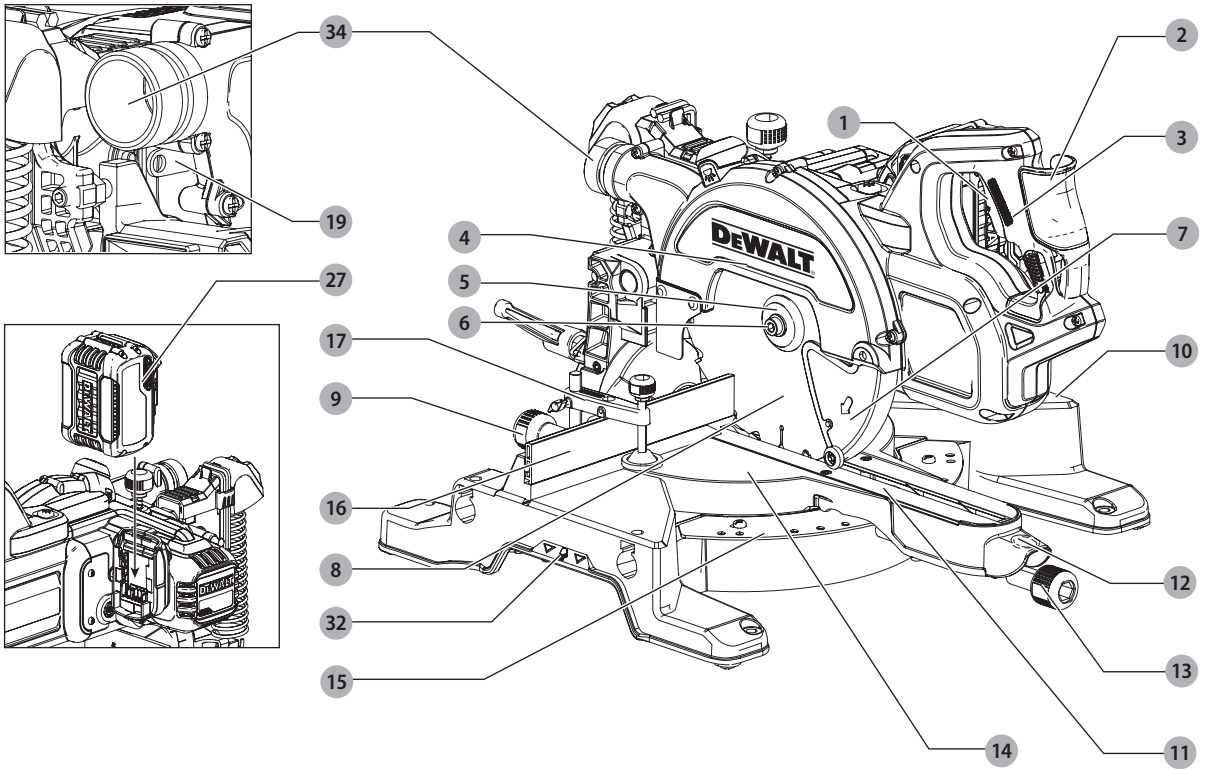


Figure B

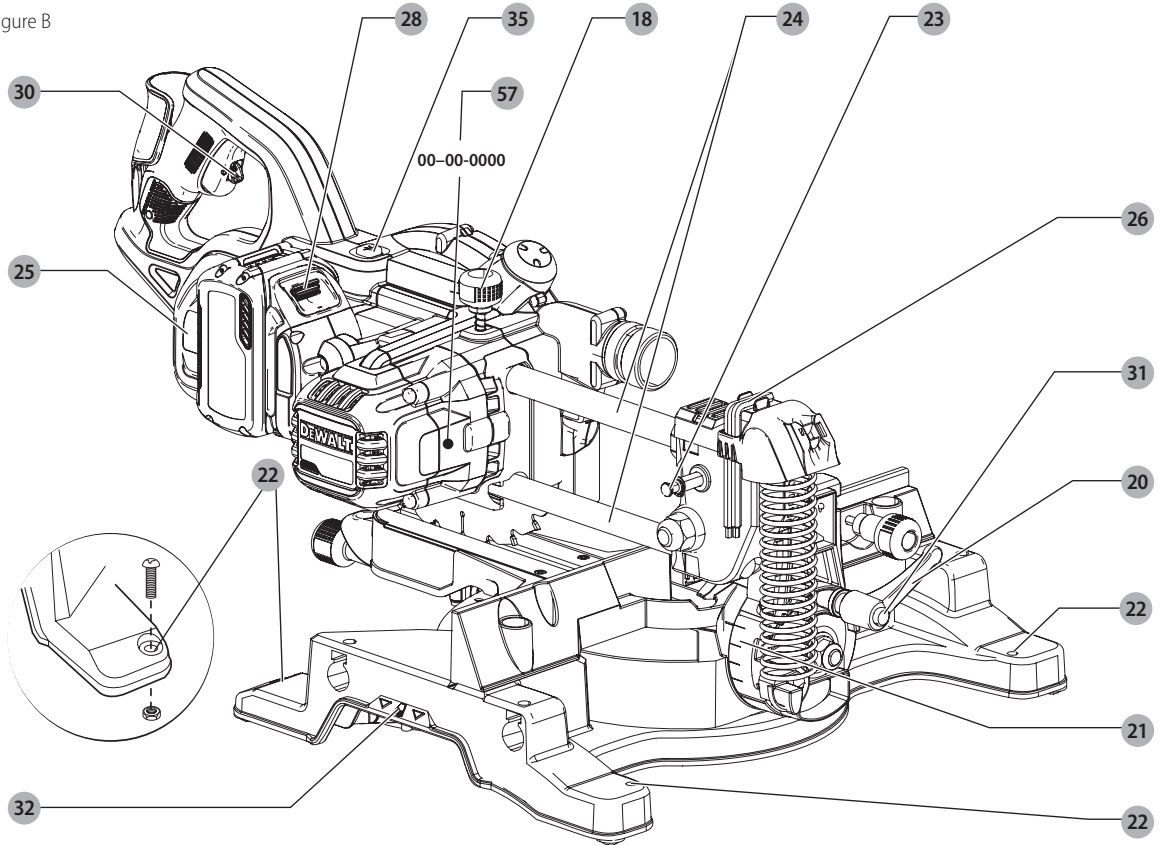


Figure C

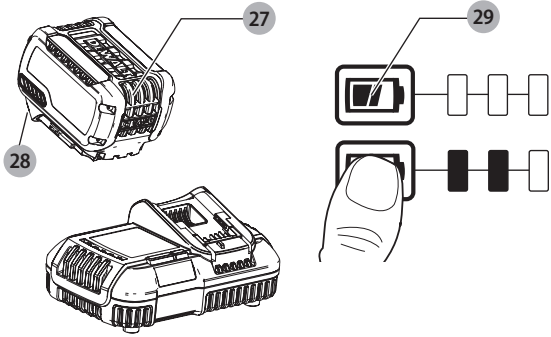


Figure D

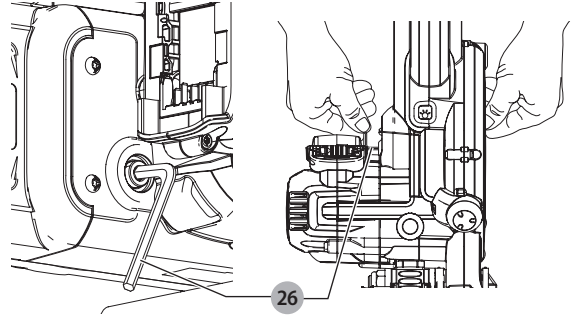


Figure E

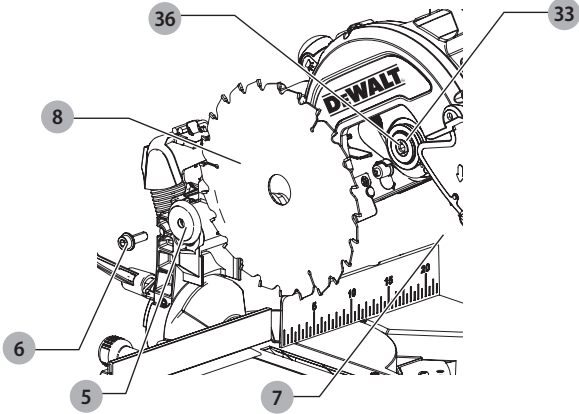


Figure F

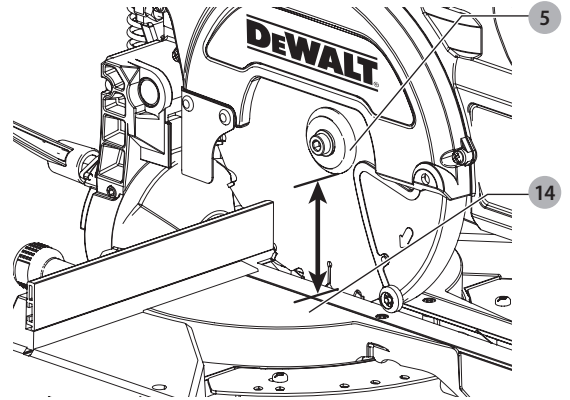


Figure G

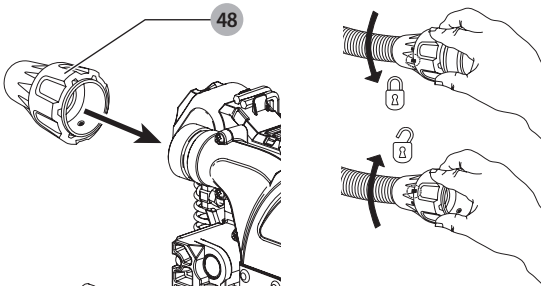


Figure H

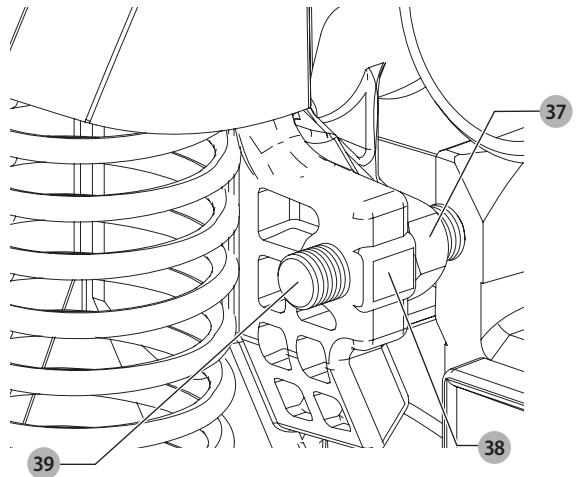


Figure I

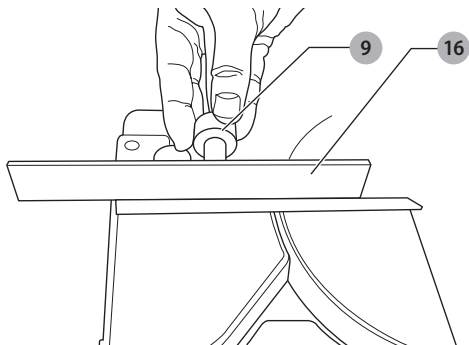


Figure J

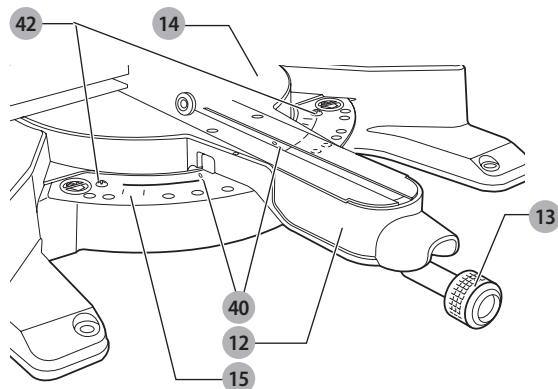


Figure K

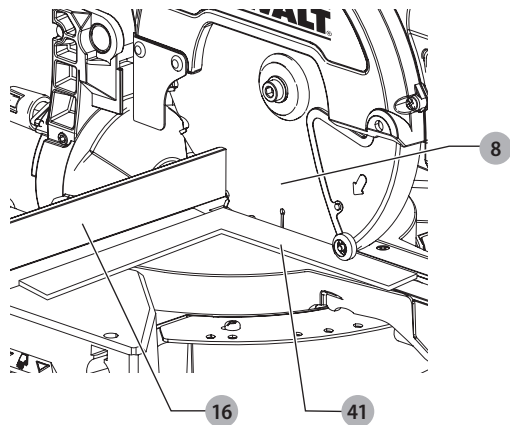


Figure L

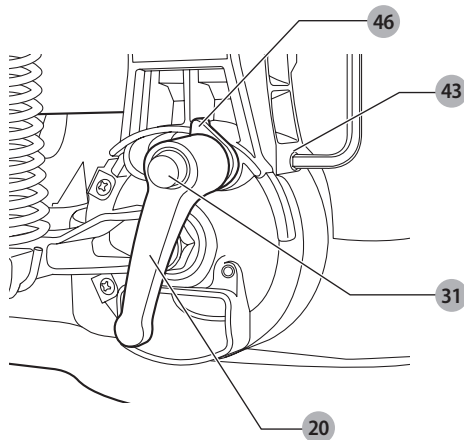


Figure M

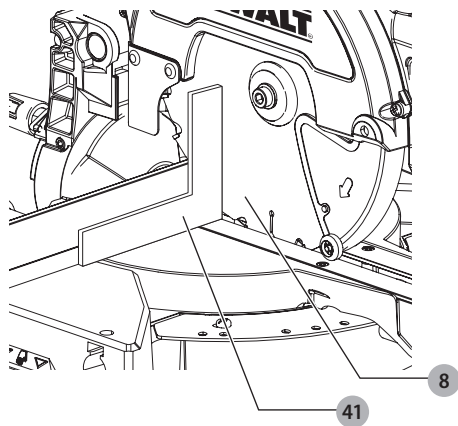


Figure N

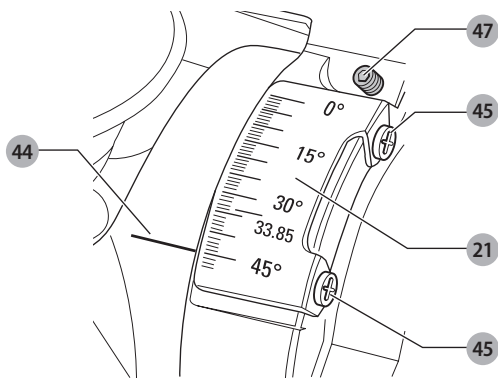


Figure O

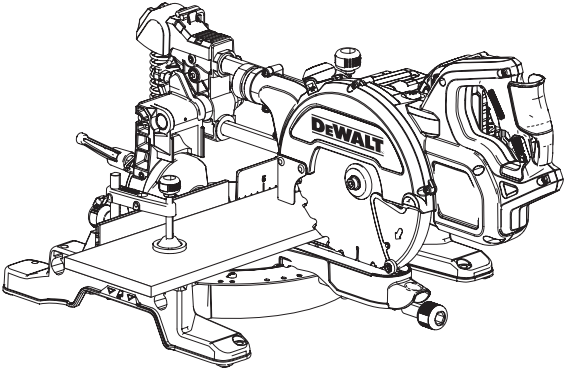


Figure P

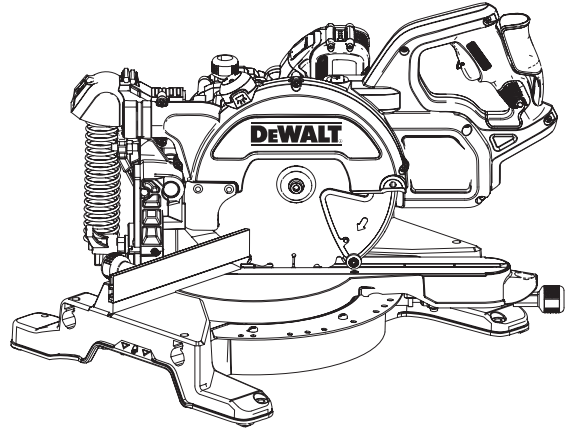


Figure Q

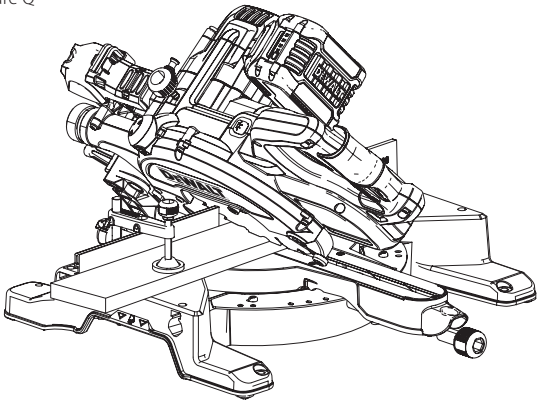


Figure R

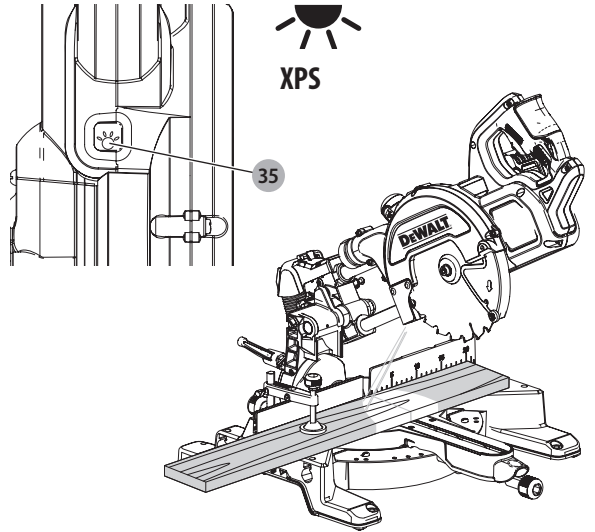


Figure S

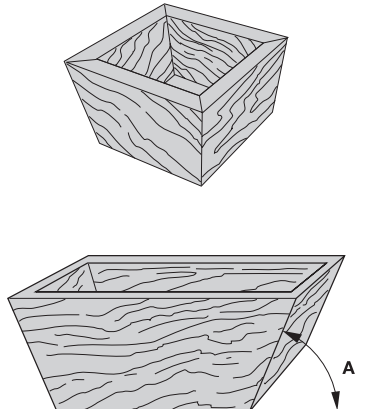
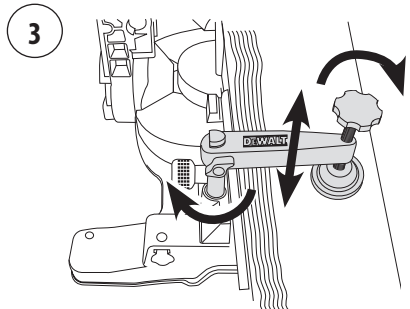
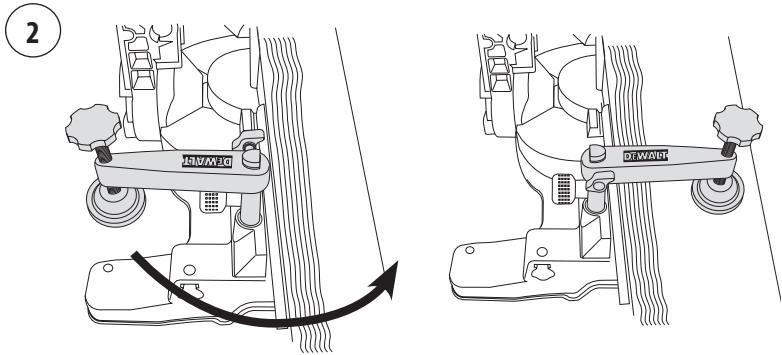
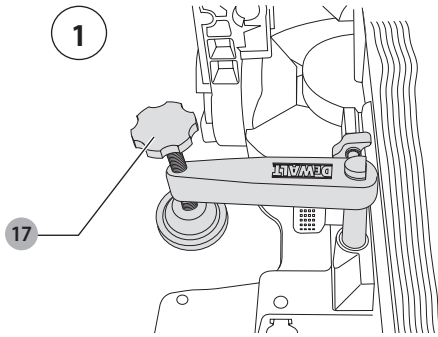


Figure T



# CORDLESS COMPACT MITRE SAW

## DCS777

### Congratulations!

You have chosen a DeWALT tool. Years of experience, thorough product development and innovation make DeWALT one of the most reliable partners for professional power tool users.

### Technical Data

		DCS777
Voltage	V	54
XPS		Yes
Blade diameter	mm	216
Blade bore	mm	30
Max. blade speed	min <sup>-1</sup>	6300
Mitre (max. positions)	left and right	50°
Bevel (max. positions)	left	48°
Compound mitre	bevel	45°
	mitre	45°
Capacities		
cross-cut 90°	mm	60 x 270
mitre 45°	mm	60 x 190
mitre 48°	mm	60 x 180
bevel 45°	mm	48 x 270
bevel 48°	mm	45 x 270
Overall dimensions	mm	460 x 560 x 430
Weight	kg	15.0

	Battery			Chargers / Charger time ( minutes)				
	V	Ah	Weight (kg)	DCB107	DCB112	DCB115	DCB118	DCB132
DCB546	18/54	6,0/2,0	1,05	270	170	90	60	90
DCB547	18/54	9,0/3,0	1,25	420	300	140	85	140
DCB181	18	1,5	0,35	70	45	22	22	22
DCB182	18	4,0	0,61	185	120	60	60	60
DCB183/B	18	2,0	0,40	90	60	30	30	30
DCB184/B	18	5,0	0,62	240	150	75	75	75
DCB185	18	1,3	0,35	60	40	22	22	22
DCB186	18	6,0	0,85	270	170	90	60	45



**WARNING:** To reduce the risk of injury, read the instruction manual.

### Safety Instructions



**WARNING:** Read all safety warnings and all instructions. Failure to follow the warnings and instructions may result in electric shock, fire and/or serious injury.

#### SAVE ALL WARNINGS AND INSTRUCTIONS FOR FUTURE REFERENCE

### General Safety Rules

- Keep work area clear.**  
Cluttered areas and benches invite injuries.
- Consider work area environment.**  
Do not expose the tool to rain. Do not use the tool in damp or wet conditions. Keep the work area well lit (250–300 Lux). Do not use the tool where there is a risk of causing fire or explosion, e.g., in the presence of flammable liquids and gases. Work area should be well ventilated.
- Guard against electric shock.**  
Avoid body contact with earthed surfaces (e.g., pipes, radiators, cookers and refrigerators). When using the tool under extreme conditions (e.g., high humidity, when metal swarf is being produced, etc.), electric safety can be improved by inserting an isolating transformer or a (FI) earth-leakage circuit-breaker.
- Keep other persons away.**  
Do not let persons, especially children, not involved in the work, touch the tool or the battery and keep them away from the work area.
- Store idle tools.**  
When not in use, tools must be stored in a dry place and locked up securely, out of reach of children.
- Do not force the tool.**  
It will do the job better and safer at the rate to which it was intended.
- Use the right tool.**  
Do not force small tools to do the job of a heavy duty tool. Do not use tools for purposes not intended; for example do not use circular saws to cut tree limbs or logs.
- Dress properly.**  
Do not wear loose clothing or jewellery, as these can be caught in moving



parts. Non-skid footwear is recommended when working outdoors. Wear protective hair covering to contain long hair.

9. **Use protective equipment.**

Always use safety glasses. Use a face or dust mask if working operations create dust or flying particles. If these particles might be considerably hot, also wear a heat-resistant apron. Wear ear protection at all times. Wear a safety helmet at all times.

10. **Connect dust extraction equipment.**

If devices are provided for the connection of dust extraction and collecting equipment, ensure these are connected and properly used.

11. **Secure work.**

Where possible use clamps or a vice to hold the work. It is safer than using your hand and it frees both hands to operate the tool.

12. **Do not overreach.**

Keep proper footing and balance at all times.

13. **Maintain tools with care.**

Keep cutting tools sharp and clean for better and safer performance. Follow instructions for lubricating and changing accessories. Inspect tools periodically and if damaged have them repaired by an authorized service facility. Keep handles and switches dry, clean and free from oil and grease.

14. **Disconnect tools.**

When not in use, before servicing and when changing accessories such as blades, bits and cutters, disconnect tools from the power supply.

15. **Remove adjusting keys and wrenches.**

Form the habit of checking to see that adjusting keys and wrenches are removed from the tool before operating the tool.

16. **Avoid unintentional starting.**

Do not carry the tool with a finger on the switch. Be sure that the tool is in the "off" position before plugging in.

17. **Stay alert.**

Watch what you are doing. Use common sense. Do not operate the tool when you are tired or under the influence of drugs or alcohol.

18. **Check for damaged parts.**

Before use, carefully check the machine to determine that it will operate properly and perform its intended function. Check for alignment of moving parts, binding of moving parts, breakage of parts, mounting and any other conditions that may affect its operation. A guard or other part that is damaged should be properly repaired or replaced by an authorized service centre unless otherwise indicated in this instruction manual. Have defective switches replaced by an authorized service centre. Do not use the tool if the switch does not turn it on and off. Never attempt any repairs yourself.



**WARNING!** The use of any accessory or attachment or performance of any operation with this tool other than those recommended in this instruction manual may present a risk of personal injury.

19. **Have your tool repaired by a qualified person.**

This electric tool complies relevant safety rules. Repairs should only be carried out by qualified persons using original spare parts; otherwise this may result in considerable danger to the user.

## Additional Safety Rules for Mitre Saws

- Do not use the saw to cut other materials than those recommended by the manufacturer.
- Do not operate the machine without guards in position, or if guards do not function or are not maintained properly.
- Ensure that the arm is securely fixed when performing bevel cuts.
- Keep the floor area around the machine level, well-maintained and free of loose materials, e.g., chips and cut-offs.
- Select the correct blade for the material to be cut.
- Use correctly sharpened saw blades. Observe the maximum speed mark on the saw blade.

- Make sure all locking knobs and clamp handles are tight before starting any operation.
- Never place either hand in the blade area when the saw is connected to the electrical power source.
- Never attempt to stop a machine in motion rapidly by jamming a tool or other means against the blade; serious accidents can occur.
- Before using any accessory consult the instruction manual. The improper use of an accessory can cause damage.
- Use a holder or wear gloves when handling a saw blade or rough material.
- Ensure that the saw blade is mounted correctly before use.
- Make sure that the blade rotates in the correct direction.
- Do not use blades of larger or smaller diameter than recommended. For the proper blade rating refer to the **technical data**. Use only the blades specified in this manual, complying with EN847-1.
- Consider applying specially designed noise-reduction blades.
- Do not use HIGH SPEED STEEL blades.
- Do not use cracked or damaged saw blades.
- Do not use any abrasive or diamond discs.
- Use only saw blades where the marked speed is at least equal to the speed marked on the saw.
- Never use your saw without the kerf plate.
- Raise the blade from the kerf in the workpiece prior to releasing the switch.
- Before each cut ensure that the machine is stable.
- Do not wedge anything against the fan to hold the motor shaft.
- The blade guard on your saw will open when the guard release lever ② is pushed.
- Never raise the blade guard manually unless the saw is switched off. The guard can be raised by hand when installing or removing saw blades or for inspection of the saw.
- Check periodically that the motor air slots are clean and free of chips.
- Replace the kerf plate when worn.
- Remove the battery from the machine before carrying out any maintenance work or when changing the blade.
- Never perform any cleaning or maintenance work when the machine is still running and the head is not in the rest position.
- When fitted with LED, no exchange with different type of LED permitted. Repairs shall only be carried out by the manufacturer or an authorized agent.
- Connect the saw to a dust collection device when sawing wood. Always consider factors which influence exposure of dust such as:
  - type of material to be machined (chip board produces more dust than wood);
  - sharpness of the saw blade;
  - correct adjustment of the saw blade,
  - dust extractor with air velocity not less than 20 m/s.

Ensure that the local extraction as well as hoods, baffles and chutes are properly adjusted.

- Please be aware of the following factors influencing exposure to noise:
  - use saw blades designed to reduce the emitted noise;
  - use only well sharpened saw blades;
- Machine maintenance shall be conducted periodically;
- Provide adequate general or localized lighting;
- Ensure the operator is adequately trained in the use, adjustment and operation of the machine;
- Ensure that any spacers and spindle rings are suitable for the purpose as stated in this manual.
- Refrain from removing any cut-offs or other parts of the workpiece from the cutting area while the machine is running and the saw head is not in the rest position

- Never cut workpieces shorter than 150 mm.
- Without additional support the machine is designed to accept the maximum workpiece size of:
  - Height 60 mm by width 216 mm by length 500 mm
  - Longer workpieces need to be supported by suitable additional table, e.g. DE7023. Always clamp the workpiece safely.
- In case of an accident or machine failure, immediately turn the machine off and disconnect machine from the power source.
- Report the failure and mark the machine in suitable form to prevent other people from using the defective machine.
- When the saw blade is blocked due to abnormal feed force during cutting, turn the machine off and disconnect it from power supply. Remove the workpiece and ensure that the saw blade runs free. Turn the machine on and start new cutting operation with reduced feed force.
- Never cut light alloy, especially magnesium.
- Whenever the situation allows, mount the machine to a bench using bolts with a diameter of 8 mm and 80 mm in length.

## Residual Risks

The following risks are inherent to the use of saws:

- injuries caused by touching the rotating parts

In spite of the application of the relevant safety regulations and the implementation of safety devices, certain residual risks cannot be avoided. These are:

- Impairment of hearing.
- Risk of accidents caused by the uncovered parts of the rotating saw blade.
- Risk of injury when changing the unprotected saw blade.
- Risk of squeezing fingers when opening the guards.
- Health hazards caused by breathing dust developed when sawing wood, especially oak, beech and MDF.

The following factors increases the risk of breathing problems:

- No dust extractor connected when sawing wood
- Insufficient dust extraction caused by uncleaned exhaust filters

## Electrical Safety

The electric motor has been designed for one voltage only. Always check that the battery pack voltage corresponds to the voltage on the rating plate. Also make sure that the voltage of your charger corresponds to that of your mains.



Your DeWALT charger is double insulated in accordance with IEC60335; therefore no earth wire is required.



**WARNING:** 115 V units have to be operated via a fail-safe isolating transformer with an earth screen between the primary and secondary winding.

If the supply cord is damaged, it must be replaced by a specially prepared cord available through the DeWALT service organisation.

## Using an Extension Cable

An extension cord should not be used unless absolutely necessary. Use an approved extension cable suitable for the power input of your charger (see **Technical Data**). The minimum conductor size is 1 mm<sup>2</sup>; the maximum length is 30 m.

When using a cable reel, always unwind the cable completely.

## SAVE THESE INSTRUCTIONS

## Chargers

DeWALT chargers require no adjustment and are designed to be as easy as possible to operate.

## Important Safety Instructions for All Battery Chargers

**SAVE THESE INSTRUCTIONS:** This manual contains important safety and operating instructions for compatible battery chargers (refer to **Technical Data**).

- Before using charger, read all instructions and cautionary markings on charger, battery pack, and product using battery pack.



**WARNING:** Shock hazard. Do not allow any liquid to get inside charger. Electric shock may result.



**WARNING:** We recommend the use of a residual current device with a residual current rating of 30mA or less.



**CAUTION:** Burn hazard. To reduce the risk of injury, charge only DeWALT rechargeable batteries. Other types of batteries may burst causing personal injury and damage.



**CAUTION:** Children should be supervised to ensure that they do not play with the appliance.

**NOTICE:** Under certain conditions, with the charger plugged into the power supply, the exposed charging contacts inside the charger can be shorted by foreign material. Foreign materials of a conductive nature such as, but not limited to, steel wool, aluminum foil or any buildup of metallic particles should be kept away from charger cavities. Always unplug the charger from the power supply when there is no battery pack in the cavity. Unplug charger before attempting to clean

- **DO NOT attempt to charge the battery pack with any chargers other than the ones in this manual.** The charger and battery pack are specifically designed to work together.
- **These chargers are not intended for any uses other than charging DeWALT rechargeable batteries.** Any other uses may result in risk of fire, electric shock or electrocution.
- **Do not expose charger to rain or snow.**
- **Pull by plug rather than cord when disconnecting charger.** This will reduce risk of damage to electric plug and cord.
- **Make sure that cord is located so that it will not be stepped on, tripped over, or otherwise subjected to damage or stress.**
- **Do not use an extension cord unless it is absolutely necessary.** Use of improper extension cord could result in risk of fire, electric shock, or electrocution.
- **Do not place any object on top of charger or place the charger on a soft surface that might block the ventilation slots and result in excessive internal heat.** Place the charger in a position away from any heat source. The charger is ventilated through slots in the top and the bottom of the housing.
- **Do not operate charger with damaged cord or plug—**have them replaced immediately.
- **Do not operate charger if it has received a sharp blow, been dropped, or otherwise damaged in any way.** Take it to an authorised service centre.
- **Do not disassemble charger; take it to an authorised service centre when service or repair is required.** Incorrect reassembly may result in a risk of electric shock, electrocution or fire.
- In case of damaged power supply cord the supply cord must be replaced immediately by the manufacturer, its service agent or similar qualified person to prevent any hazard.
- **Disconnect the charger from the outlet before attempting any cleaning. This will reduce the risk of electric shock.** Removing the battery pack will not reduce this risk.
- **NEVER attempt to connect two chargers together.**
- **The charger is designed to operate on standard 220-240V household electrical power. Do not attempt to use it on any other voltage.** This does not apply to the vehicular charger.







## Charging a Battery (Fig. C)

1. Plug the charger into an appropriate outlet before inserting battery pack.
2. Insert the battery pack **27** into the charger, making sure the battery pack is fully seated in the charger. The red (charging) light will blink repeatedly indicating that the charging process has started.
3. The completion of charge will be indicated by the red light remaining ON continuously. The battery pack is fully charged and may be used at this time or left in the charger. To remove the battery pack from the charger, push the battery release button **28** on the battery pack.

**NOTE:** To ensure maximum performance and life of lithium-ion battery packs, charge the battery pack fully before first use.

## Charger Operation

Refer to the indicators below for the charge status of the battery pack.

Charge Indicators	
 Charging	
 Fully Charged	
 Hot/Cold Pack Delay*	

\*The red light will continue to blink, but a yellow indicator light will be illuminated during this operation. Once the battery pack has reached an appropriate temperature, the yellow light will turn off and the charger will resume the charging procedure.

The compatible charger(s) will not charge a faulty battery pack. The charger will indicate faulty battery by refusing to light or by displaying problem pack or charger blink pattern.

**NOTE:** This could also mean a problem with a charger.

If the charger indicates a problem, take the charger and battery pack to be tested at an authorised service centre.

## Hot/Cold Pack Delay

When the charger detects a battery pack that is too hot or too cold, it automatically starts a Hot/Cold Pack Delay, suspending charging until the battery pack has reached an appropriate temperature. The charger then automatically switches to the pack charging mode. This feature ensures maximum battery pack life.

A cold battery pack will charge at a slower rate than a warm battery pack. The battery pack will charge at that slower rate throughout the entire charging cycle and will not return to maximum charge rate even if the battery pack warms.

The DCB118 charger is equipped with an internal fan designed to cool the battery pack. The fan will turn on automatically when the battery pack needs to be cooled. Never operate the charger if the fan does not operate properly or if ventilation slots are blocked. Do not permit foreign objects to enter the interior of the charger.

## Electronic Protection System

XR Li-Ion tools are designed with an Electronic Protection System that will protect the battery pack against overloading, overheating or deep discharge.

The tool will automatically turn off if the Electronic Protection System engages. If this occurs, place the lithium-ion battery pack on the charger until it is fully charged.

## Wall Mounting

These chargers are designed to be wall mountable or to sit upright on a table or work surface. If wall mounting, locate the charger within reach of an electrical outlet, and away from a corner or other obstructions which may impede air flow. Use the back of the charger as a template for the location of the mounting screws on the wall. Mount the charger securely using drywall screws (purchased separately) at least 25.4 mm long with a screw head diameter of 7–9 mm, screwed into wood to an optimal depth leaving

approximately 5.5 mm of the screw exposed. Align the slots on the back of the charger with the exposed screws and fully engage them in the slots.

## Charger Cleaning Instructions

**! WARNING: Shock hazard. Disconnect the charger from the AC outlet before cleaning.** Dirt and grease may be removed from the exterior of the charger using a cloth or soft non-metallic brush. Do not use water or any cleaning solutions. Never let any liquid get inside the tool; never immerse any part of the tool into a liquid.

## Battery Packs

### Important Safety Instructions for All Battery Packs

When ordering replacement battery packs, be sure to include catalog number and voltage.

The battery pack is not fully charged out of the carton. Before using the battery pack and charger, read the safety instructions below. Then follow charging procedures outlined.

### READ ALL INSTRUCTIONS

- **Do not charge or use battery in explosive atmospheres, such as in the presence of flammable liquids, gases or dust.** Inserting or removing the battery from the charger may ignite the dust or fumes.
- **Never force battery pack into charger. Do not modify battery pack in any way to fit into a non-compatible charger as battery pack may rupture causing serious personal injury.**
- Charge the battery packs only in DeWALT chargers.
- **DO NOT splash or immerse in water or other liquids.**
- **Do not store or use the tool and battery pack in locations where the temperature may reach or exceed 40 °C (104 °F) (such as outside sheds or metal buildings in summer).**
- **Do not incinerate the battery pack even if it is severely damaged or is completely worn out.** The battery pack can explode in a fire. Toxic fumes and materials are created when lithium-ion battery packs are burned.
- **If battery contents come into contact with the skin, immediately wash area with mild soap and water.** If battery liquid gets into the eye, rinse water over the open eye for 15 minutes or until irritation ceases. If medical attention is needed, the battery electrolyte is composed of a mixture of liquid organic carbonates and lithium salts.
- **Contents of opened battery cells may cause respiratory irritation.** Provide fresh air. If symptoms persists, seek medical attention.



**WARNING:** Burn hazard. Battery liquid may be flammable if exposed to spark or flame.



**WARNING:** Never attempt to open the battery pack for any reason. If battery pack case is cracked or damaged, do not insert into charger. Do not crush, drop or damage battery pack. Do not use a battery pack or charger that has received a sharp blow, been dropped, run over or damaged in any way (i.e., pierced with a nail, hit with a hammer, stepped on). Electric shock or electrocution may result. Damaged battery packs should be returned to service centre for recycling.



**WARNING: Fire hazard. Do not store or carry the battery pack so that metal objects can contact exposed battery terminals.** For example, do not place the battery pack in aprons, pockets, tool boxes, product kit boxes, drawers, etc., with loose nails, screws, keys, etc.



**CAUTION: When not in use, place tool on its side on a stable surface where it will not cause a tripping or falling hazard.** Some tools with large battery packs will stand upright on the battery pack but may be easily knocked over.

## Transportation



**WARNING: Fire hazard.** Transporting batteries can possibly cause fire if the battery terminals inadvertently come in contact with conductive materials. When transporting batteries, make sure that the battery terminals are protected and well insulated from materials that could contact them and cause a short circuit.

DeWALT batteries comply with all applicable shipping regulations as prescribed by industry and legal standards which include UN Recommendations on the Transport of Dangerous Goods; International Air Transport Association (IATA) Dangerous Goods Regulations, International Maritime Dangerous Goods (IMDG) Regulations, and the European Agreement Concerning The International Carriage of Dangerous Goods by Road (ADR). Lithium-ion cells and batteries have been tested to section 38.3 of the UN Recommendations on the Transport of Dangerous Goods Manual of Tests and Criteria.

In most instances, shipping a DeWALT battery pack will be excepted from being classified as a fully regulated Class 9 Hazardous Material. In general, only shipments containing a lithium-ion battery with an energy rating greater than 100 Watt Hours (Wh) will require being shipped as fully regulated Class 9. All lithium-ion batteries have the Watt Hour rating marked on the pack. Furthermore, due to regulation complexities, DeWALT does not recommend air shipping lithium-ion battery packs alone regardless of Watt Hour rating. Shipments of tools with batteries (combo kits) can be air shipped as excepted if the Watt Hour rating of the battery pack is no greater than 100 Whr.

Regardless of whether a shipment is considered excepted or fully regulated, it is the shipper's responsibility to consult the latest regulations for packaging, labeling/marketing and documentation requirements.

The information provided in this section of the manual is provided in good faith and believed to be accurate at the time the document was created. However, no warranty, expressed or implied, is given. It is the buyer's responsibility to ensure that its activities comply with the applicable regulations.

**Transporting the FLEXVOLT™ Battery**

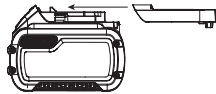
The DeWALT FLEXVOLT™ battery has two modes: **Use** and **Transport**.

**Use Mode:** When the FLEXVOLT™ battery stands alone or is in a DeWALT 18V product, it will operate as an 18V battery. When the FLEXVOLT™ battery is in a 54V or a 108V (two 54V batteries) product, it will operate as a 54V battery.

**Transport Mode:** When the cap is attached to the FLEXVOLT™ battery, the battery is in transport mode. Keep the cap for shipping.

When in Transport mode, strings of cells are electrically disconnected within the pack resulting in 3 batteries with a lower Watt hour (Wh) rating as compared to 1 battery with a higher Watt hour rating. This increased quantity of 3 batteries with the lower Watt hour rating can exempt the pack from certain shipping regulations that are imposed upon the higher Watt hour batteries.

Transport Wh rating indicates 3 x 36 Wh, meaning 3 batteries of 36 Watt hours each. The Use Wh rating indicates 108 Watt hours (1 battery implied).



Example of Use and Transport Label Marking



**Storage Recommendations**

1. The best storage place is one that is cool and dry away from direct sunlight and excess heat or cold. For optimum battery performance and life, store battery packs at room temperature when not in use.
2. For long storage, it is recommended to store a fully charged battery pack in a cool, dry place out of the charger for optimal results.

**NOTE:** Battery packs should not be stored completely depleted of charge. The battery pack will need to be recharged before use.

**Labels on Charger and Battery Pack**

In addition to the pictographs used in this manual, the labels on the charger and the battery pack may show the following pictographs:



Read instruction manual before use.



See **Technical Data** for charging time.



Do not probe with conductive objects.



Do not charge damaged battery packs.



Do not expose to water.



Have defective cords replaced immediately.



Charge only between 4 °C and 40 °C.



Only for indoor use.



Discard the battery pack with due care for the environment.



Charge DeWALT battery packs only with designated DeWALT chargers. Charging battery packs other than the designated DeWALT batteries with a DeWALT charger may make them burst or lead to other dangerous situations.



Do not incinerate the battery pack.



Use: Use without transportation cap, Wh rating indicates 108 Wh (1 battery with 108 Wh).



Transport: Transport with built-in transport cap, Wh rating indicates 3 x 36 Wh (3 batteries of 36 Wh).

**Battery Type**

The DCS777 operates on a 54 volt battery pack. These battery packs may be used: DCB546. Refer to **Technical Data** for more information.

**Package Contents**

The package contains:

- 1 Partly assembled machine
- 2 hex key (4 mm and 6 mm)
- 1 216 mm TCT saw blade
- 1 Material clamp
- 2 Battery packs (T2 model)
- 1 Charger (T2 model)
- 1 Instruction manual
- Check for damage to the tool, parts or accessories which may have occurred during transport.
- Take the time to thoroughly read and understand this manual prior to operation.

**Markings on Tool**

The following pictographs are shown on the tool:



Read instruction manual before use.



Wear ear protection.



Wear eye protection.



Visible radiation. Do not stare into light.



Carrying point

## Date Code Position (Fig. B)

The Date Code **57**, which also includes the year of manufacture, is printed into the housing.

Example:  
2016 XX XX

## Description (Fig. A–C, E)



**WARNING:** Never modify the power tool or any part of it. Damage or personal injury could result.

- |                               |                                     |
|-------------------------------|-------------------------------------|
| 1 On/off switch               | 19 Guard lock up hook               |
| 2 Guard lock up release lever | 20 Bevel clamp handle               |
| 3 Carrying handle             | 21 Bevel scale                      |
| 4 Fixed upper guard           | 22 Bench mounting holes             |
| 5 Outer flange                | 23 Lock down button                 |
| 6 Blade bolt                  | 24 Traverse bars                    |
| 7 Lower blade guard           | 25 Saw head                         |
| 8 Saw blade                   | 26 Hex keys                         |
| 9 Sliding fence lock knob     | 27 Battery pack                     |
| 10 Fixed table                | 28 Battery pack release button      |
| 11 Kerf plate                 | 29 Fuel gauge button                |
| 12 Mitre arm                  | 30 Lock off switch                  |
| 13 Mitre latch                | 31 Override button                  |
| 14 Rotating table/mitre arm   | 32 Carrying handle (left and right) |
| 15 Mitre scale                | 33 Inner flange (Fig. E)            |
| 16 Sliding fence              | 34 Dust extraction port             |
| 17 Material clamp             | 35 XPS Button                       |
| 18 Traverse lock              |                                     |

## Intended Use

Your DeWALT Cordless Compact Mitre Saw has been designed for professional cutting wood, wood products, aluminum and plastics. It performs the sawing operations of cross-cutting, bevelling and mitring easily, accurately and safely.

This unit is designed for use with a nominal blade diameter 216 mm carbide tip blade.

**DO NOT** use under wet conditions or in presence of flammable liquids or gases.

These mitre saws are professional power tools.

**DO NOT** let children come into contact with the tool. Supervision is required when inexperienced operators use this tool.



**WARNING!** Do not use the machine for purposes other than intended.

- **Young children and the infirm.** This appliance is not intended for use by young children or infirm persons without supervision.
- This product is not intended for use by persons (including children) suffering from diminished physical, sensory or mental abilities; lack of experience, knowledge or skills unless they are supervised by a person responsible for their safety. Children should never be left alone with this product.

## ASSEMBLY



**WARNING:** To reduce the risk of serious personal injury, turn machine off and disconnect battery pack before making any adjustments or removing/installing attachments or accessories. An accidental start-up can cause injury.



**WARNING:** Use only DeWALT battery packs and chargers.

## Unpacking

The motor and guards are already assembled onto the base.

## Inserting and Removing the Battery Pack from the Tool (Fig. A–C)

**NOTE:** Make sure your battery pack **27** is fully charged.

### To Install the Battery Pack into the Tool

1. Align the battery pack **27** with the rails inside the tool's handle (Fig. A).
2. Slide it into the handle until the battery pack is firmly seated in the tool and ensure that you hear the lock snap into place.

### To Remove the Battery Pack from the Tool

1. Press the release button **28** and firmly pull the battery pack out of the tool handle.
2. Insert battery pack into the charger as described in the charger section of this manual.

## Fuel Gauge Battery Packs (Fig. C)

Some DeWALT battery packs include a fuel gauge which consists of three green LED lights that indicate the level of charge remaining in the battery pack.

To actuate the fuel gauge, press and hold the fuel gauge button **29**. A combination of the three green LED lights will illuminate designating the level of charge left. When the level of charge in the battery is below the usable limit, the fuel gauge will not illuminate and the battery will need to be recharged.

**NOTE:** The fuel gauge is only an indication of the charge left on the battery pack. It does not indicate tool functionality and is subject to variation based on product components, temperature and end-user application.

## Bench Mounting (Fig. B)

1. Holes **22** are provided in all four feet to facilitate bench mounting. Bolts with a diameter of 8 mm and 80 mm in length is suggested. Always mount your saw firmly to prevent movement. To enhance the portability, the tool can be mounted to a piece of 12.5 mm or thicker plywood which can then be clamped to your work support or moved to other job sites and reclaimed.
2. When mounting your saw to a piece of plywood, make sure that the mounting screws do not protrude from the bottom of the wood. The plywood must sit flush on the work support. When clamping the saw to any work surface, clamp only on the clamping bosses where the mounting screw holes are located. Clamping at any other point will interfere with the proper operation of the saw.
3. To prevent binding and inaccuracy, be sure the mounting surface is not warped or otherwise uneven. If the saw rocks on the surface, place a thin piece of material under one saw foot until the saw is firm on the mounting surface.

## Mounting the Saw Blade (Fig. A, D, E)



**WARNING:** To reduce the risk of injury, turn unit off and disconnect machine from power source before installing and removing accessories, before adjusting or changing set-ups or when making repairs. Be sure the trigger switch is in the OFF position. An accidental start-up can cause injury.



**WARNING:** The teeth of a new blade are very sharp and can be dangerous.



**WARNING:** Be aware the saw blade shall be replaced in the described way only. Only use saw blades as specified under **Technical Data**; Cat.no.: DT4320 is suggested.

1. Insert the 6 mm hex key **26** into the opposite location of the blade shaft and hold it (Fig. D).
2. Use second hex key as shown in Figure D as spindle lock.

- Loosen the blade bolt **6** by turning clockwise. Remove the blade bolt and the outer flange **5**.
- Press the lower guard lock up release lever **2** to raise the lower blade guard **7** and remove the saw blade **8**.
- Install the new saw blade onto the shoulder provided on the inner flange **33** making sure that the teeth at the bottom edge of the blade are pointing towards the fence (away from the operator).
- Replace the outer flange **5**, making sure that the location lugs **36** are engaged correctly, one on each side of the motor shaft.
- Tighten the blade bolt **6** by turning anti-clockwise while holding the 6 mm hex key **26** engaged with your other hand (Fig. D).

## ADJUSTMENTS



**WARNING: To reduce the risk of serious personal injury, turn machine off and disconnect battery pack before making any adjustments or removing/installing attachments or accessories. An accidental start-up can cause injury.**

Your mitre saw was accurately adjusted at the factory. If readjustment due to shipping and handling or any other reason is required, follow the steps below to adjust your saw. Once made, these adjustments should remain accurate.

### Adjusting the Traverse Bars for Constant Cutting Depth (Fig. A, B, F, H)

The blade must run at a constant cutting depth along the full length of the table and must not touch the fixed table at the rear of the slot or at the front of the rotating arm. To achieve this, the traverse arms must be perfectly parallel to the table when the saw head is fully depressed.

- Press the lower guard lock up release lever **2** (Fig. A).
- Press the saw head fully to the rear position and measure the height from the rotating table **14** to the bottom of the outer flange **5** (Fig. F).
- Turn the saw head traverse lock **18** (Fig. B).
- Keeping the saw head fully depressed, pull the head to the end of its travel.
- Measure the height indicated in figure F again. Both values should be identical.
- If adjustment is required, proceed as follows (Fig. H):
  - Loosen the locknut **37** in the bracket **38** and adjust the screw **39** as required, proceeding in small steps.
  - Tighten the locknut **37**.



**WARNING: Always check that the blade does not touch the table at the rear of the slot or at the front of the rotating arm at 90° vertical and 45° bevel positions. Do not switch on before having checked this!**

### Adjusting the Fence (Fig. I)

Turn the sliding fence lock knob **9** anti-clockwise to loosen. Move the sliding fence **16** to a position that avoids the blade cuts it, then tighten the fence lock knob by turning clockwise.

### Checking and Adjusting the Blade to the Fence (Fig. B, J, K)

- Slacken the mitre latch **13**.
- Place your thumb on the mitre arm **12** and squeeze the mitre latch **13** to release the rotating table/mitre arm **14**.
- Swing the mitre arm until the latch locates it at the 0° mitre position.
- Pull down the head and lock it in this position using the lock down button **23**.
- Check that the two 0° markings **40** on the mitre scale **15** are just visible.
- Place a square **41** against the left side of the fence **16** and blade **8**.



**WARNING: Do not touch the tips of the blade teeth with the square.**

- If adjustment is required, proceed as follows:
  - Loosen the screws **42** and move the scale/mitre arm assembly left or right until the blade is at 90° to the fence as measured with the square (Fig. J).
  - Tighten the screws **42**.

### Checking and Adjusting the Blade to the Table (Fig. L–N)

- Loosen the bevel clamp handle **20** (Fig. L).
- Press the saw head to the right to ensure it is fully vertical and tighten the bevel clamp handle.
- Place a set square **41** on the table and up against the blade **8** (Fig. M).
- If adjustment is required, proceed as follows:
  - Loosen the bevel clamp handle **20** and turn the vertical position adjustment stop screw **43** in or out until the blade is at 90° to the table as measured with the square.
  - If the bevel pointer **44** does not indicate zero on the bevel scale **21**, loosen the screws **45** that secure the scale and move the scale as necessary.

### Checking and Adjusting the Bevel Angle (Fig. A, L, N)

The bevel override allows the max. bevel angle to be set at 45° or 48° as required.

- Left = 45°
  - Right = 48°
- Make sure the override knob **46** is located in the left position.
  - Loosen the bevel clamp handle **20** and move the saw head to the left.
  - This is the 45° bevel position.
  - If adjustment is required, turn the stopscrew **47** in or out as necessary until the pointer **44** indicates 45°.



**WARNING: The guide grooves can become clogged with sawdust. Use a stick or some low pressure air to clear the guide grooves.**

### Prior to Operation



**WARNING:**

- Install the appropriate saw blade. Do not use excessively worn blades. The maximum rotation speed of the tool must not exceed that of the saw blade.
- Do not attempt to cut excessively small pieces.
- Allow the blade to cut freely. Do not force.
- Allow the motor to reach full speed before cutting.
- Make sure all locking knobs and clamp handles are tight.
- Secure the workpiece.
- Although this saw will cut wood and many nonferrous materials, these operating instructions refer to the cutting of wood only. The same guide-lines apply to the other materials. Do not cut ferrous (iron and steel) materials or masonry with this saw! Do not use any abrasive discs!
- Make sure to use the kerf plate. Do not operate the machine if the kerf slot is wider than 10 mm.
- Placing the workpiece on a piece of wood will increase the capacities to 300 mm.

## OPERATION

### Instructions for Use



**WARNING: Always observe the safety instructions and applicable regulations.**

**!** **WARNING:** To reduce the risk of serious personal injury, turn tool off and disconnect battery pack before making any adjustments or removing/installing attachments or accessories. An accidental start-up can cause injury.

The attention of UK users is drawn to the "woodworking machines regulations 1974" and any subsequent amendments.

Ensure the machine is placed to satisfy your ergonomic conditions in terms of table height and stability. The machine site shall be chosen so that the operator has a good overview and enough free surrounding space around the machine that allows handling of the workpiece without any restrictions. To reduce effects of increased vibration, make sure the environment is not too cold, the machine and accessory are well maintained and the workpiece size is suitable for this machine.

## Switching On and Off (Fig. A)

The lock off switch **30** located on the on/off trigger switch **1** must be flipped in order for the saw to turn on.

1. To run the tool, flip the lock off switch **30** and press the on/off trigger switch **1**.
2. To stop the tool, release the trigger switch. The lock off switch will re-engage automatically.

## Use of XPS™ LED Worklight System (Fig. A, R)

**NOTE:** The mitre saw must be connected to a power source.

The XPS™ LED Worklight System is activated by engaging the trigger or pressing the XPS button **35** on top of the saw housing.

To cut through an existing pencil line on a piece of wood:

1. With the XPS light on, pull down on the operating handle **3** to bring the saw blade **8** close to the wood. The shadow of the blade will appear on the wood.
2. Align the pencil line with the edge of the blade's shadow. You may have to adjust the mitre or bevel angles in order to match the pencil line exactly.

Your saw is equipped with a battery fault feature. The XPS™ worklight begins to flash when the battery is near the end of its useful charge, or when the battery is too hot. Charge the battery prior to continuing cutting applications. Refer to **Charging A Battery** for battery charging instructions.

## Body and Hand Position

Proper positioning of your body and hands when operating the mitre saw will make cutting easier, more accurate and safer.

- !** **WARNING:**
- Never place your hands near the cutting area.
  - Place your hands no closer than 150 mm from the blade.
  - Hold the workpiece tightly to the table and the fence when cutting. Keep your hands in position until the switch has been released and the blade has completely stopped.
  - Always make dry runs (without power) before finish cuts so that you can check the path of the blade.
  - Do not cross your hands.
  - Keep both feet firmly on the floor and maintain proper balance.
  - As you move the saw arm left and right, follow it and stand slightly to the side of the saw blade.

## Basic Saw Cuts

### Vertical straight cross cut (Fig. A, O)

**NOTE:** Use 216 mm saw blades with 30 mm arbor holes to obtain the desired cutting capacities.

1. Slacken the mitre latch **13** and subsequently lift it up.
2. Engage the mitre latch **13** at the 0° position and fasten the mitre latch.
3. Place the wood to be cut against the fence **16**.

4. Take hold of the carrying handle **3** and press the guard lock up release lever **2** to release the guard. Extend head of the saw all the way out.
5. Press the trigger switch **1** to start the motor.
6. Depress the head to allow the blade to cut through the timber and enter the plastic kerf plate **11**.
7. When the head is fully depressed, slowly push it back across to complete the cut.
8. After completing the cut, release the switch and wait for the saw blade to come to a complete standstill before returning the head to its upper rest position.

- !** **WARNING:**
- The lower blade guard is designed to close quickly when the lever **2** is released. If it does not close within 1 second, have the saw serviced by an authorized DeWALT repair agent.

### Vertical mitre cross-cut (Fig. A, P)

1. Squeeze the mitre latch **13**. Move the arm left or right to the required angle.
2. The mitre latch will automatically locate at 0°, 15°, 22.5°, 31.62°, 45° and 50° both left and right. If any intermediate angle is required hold the head firmly and lock by fastening the mitre latch.
3. Always ensure that the mitre lock lever is locked tightly before cutting.
4. Proceed as for a vertical straight cross-cut.

- !** **WARNING:** When mitring the end of a piece of wood with a small off-cut, position the wood to ensure that the off-cut is to the side of the blade with the greater angle to the fence, i.e.:
- left mitre, off-cut to the right
  - right mitre, off-cut to the left

### Bevel cross-cuts (Fig. L, Q)

Bevel angles can be set from 0° to 48° to the left. Bevels up to 45° can be cut with the mitre arm set between zero and a maximum of 45° mitre position right or left.

1. Loosen the bevel clamp handle **20** and set the bevel as desired.
2. Set the override button **31** if required.
3. Hold the head firmly and do not allow it to fall.
4. Tighten the bevel clamp handle **20** firmly.
5. Proceed as for a vertical straight cross-cut.

## Quality of Cut

The smoothness of any cut depends on a number of variables, i.e. the material being cut. When smoothest cuts are desired for moulding and other precision work, a sharp (60-tooth carbide) blade and a slower, even cutting rate will produce the desired results.

- !** **WARNING:** Ensure that the material does not creep while cutting; clamp it securely in place. Always let the blade come to a full stop before raising the arm. If small fibres of wood still split out at the rear of the workpiece, stick a piece of masking tape on the wood where the cut will be made. Saw through the tape and carefully remove tape when finished.

## Clamping the Workpiece (Fig. T)

- !** **WARNING:** Always use a material clamp.

For best results use the material clamp **17** made for use with your saw.

### To Install clamp

1. Insert it into the hole behind the fence. The clamp **17** should be facing toward the back of the mitre saw. Ensure the groove on the clamp rod is fully inserted into the base of the mitre saw. If the groove is visible, the clamp will not be secure.
2. Rotate the clamp 180° toward the front of the mitre saw.

- Loosen the knob to adjust the clamp up or down, then use the fine adjust knob to firmly clamp the workpiece.

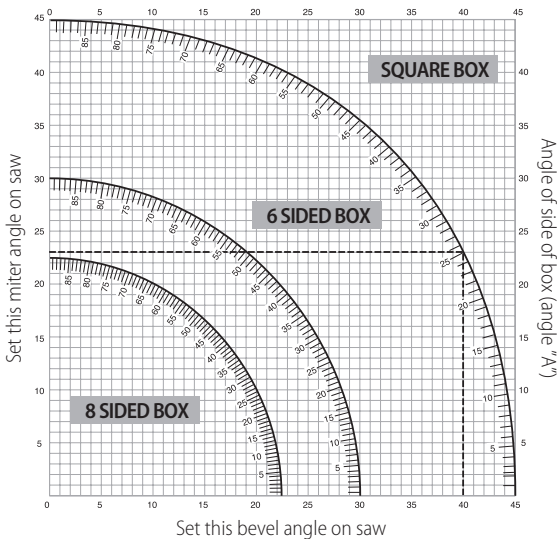
**NOTE:** Place the clamp on the right side of the base when beveling. ALWAYS MAKE DRY RUNS (UNPOWERED) BEFORE FINISH CUTS TO CHECK THE PATH OF THE BLADE. ENSURE THE CLAMP DOES NOT INTERFERE WITH THE ACTION OF THE SAW OR GUARDS.

## Compound Mitre (Fig. 5)

This cut is a combination of a mitre and a bevel cut. This is the type of cut used to make frames or boxes with slanting sides like the one shown in figure 5.

**WARNING:** If the cutting angle varies from cut to cut, check that the bevel clamp handle and the mitre clamping knob are securely tightened. These must be tightened after making any changes in bevel or mitre.

- The chart shown below will assist you in selecting the proper bevel and mitre settings for common compound mitre cuts.
- To use the chart, select the desired angle "A" (Fig. 5) of your project and locate that angle on the appropriate arc in the chart. From that point follow the chart straight down to find the correct bevel angle and straight across to find the correct mitre angle.



- Set your saw to the prescribed angles and make a few trial cuts.
- Practice fitting the cut pieces together.  
Example: To make a four-sided box with 25° exterior angles (angle "A") (Fig. 5), use the upper right arc. Find 25° on the arc scale. Follow the horizontal intersecting line to either side to get the mitre angle setting on the saw (23°). Likewise follow the vertical intersecting line to the top or bottom to get the bevel angle setting on the saw (40°). Always try cuts on a few scrap pieces of wood to verify the settings on the saw.

**WARNING:** Never exceed the compound mitre limits of 45° bevel with 45° left or right mitre.



## Dust Extraction (Fig. A, G)

**WARNING:** Whenever possible, connect a dust extraction device designed in accordance with the relevant regulations regarding dust emission.

Connect a dust collection device designed in accordance with the relevant regulations. The air velocity of externally connected systems shall be 20m/s +/- 2 m/s. Velocity to be measured in the connection tube at the point of connection, with the tool connected but not running.

**NOTE:** The DWV9000 twist-lock quick connector (48) is recommended as an optional accessory to connect to the dust extraction device.

Observe the relevant regulations in your country for the materials to be worked.

The vacuum cleaner must be suitable for the material being worked. When vacuuming dry dust that is especially detrimental to health or carcinogenic, use a special vacuum cleaner.

## Transporting (Fig. A, B)



**WARNING:** In order to conveniently carry the mitre saw, the base is provided with two hand indentations (32). Never use guards to lift or transport the mitre saw.

- To transport the saw, set the bevel and mitre positions to 0°.
- Push the saw head all the way back.
- Press the lower guard lock up release lever (2) (Fig. A).
- Press the head down and press the lock down button (23) (Fig. B).
- Bring the saw blade to rest position and press the traverse lock (18).

## MAINTENANCE

Your DeWALT power tool has been designed to operate over a long period of time with a minimum of maintenance. Continuous satisfactory operation depends upon proper tool care and regular cleaning.



**WARNING:** To reduce the risk of serious personal injury, turn machine off and disconnect battery pack before making any adjustments or removing/installing attachments or accessories. An accidental start-up can cause injury.



**WARNING:** If the saw blade is worn replace it with a new sharp blade.



## Lubrication

Your power tool requires no additional lubrication.



## Cleaning

Before use, carefully check the upper blade guard, movable lower blade guard as well as the dust extraction tube to determine that it will operate properly. Ensure that chips, dust or workpiece particle cannot lead to blockage of one of the functions.

In case of workpiece fragments jammed between saw blade and guards disconnect the machine from the power supply and follow the instructions given in section **Mounting the saw blade**. Remove the jammed parts and reassembling the saw blade.



**WARNING:** Blow dirt and dust out of the main housing with dry air as often as dirt is seen collecting in and around the air vents. Wear approved eye protection and approved dust mask when performing this procedure.



**WARNING:** Never use solvents or other harsh chemicals for cleaning the non-metallic parts of the tool. These chemicals may weaken the materials used in these parts. Use a cloth dampened only with water and mild soap. Never let any liquid get inside the tool; never immerse any part of the tool into a liquid.



**WARNING:** To reduce the risk of injury, regularly clean the table top.



**WARNING:** To reduce the risk of injury, regularly clean the dust collection system.

## Optional Accessories



**WARNING:** Since accessories, other than those offered by DeWALT, have not been tested with this product, use of such accessories with this tool could be hazardous. To reduce the risk of injury, only DeWALT, recommended accessories should be used with this product.



## Range of saw blades available (recommended blades)

Type of blade	Blade dimensions (diameter x bore x no. of teeth)	Usage
DT4310 series 40	216x30x24	For general purpose, ripping and cross-cutting of wood and plastics
DT4286 series 40	216x30x80	TCG for use with aluminum
DT4320 series 60	216x30x48	ATB for fine cutting of manmade and natural wood
DT4350 series 60	216x30x60	TCG for extra fine cutting of manmade and natural wood
DT99568-QZ	216x30x24	24T Flexvolt blade for general purpose, ripping and cross cutting
DT99569-QZ	216x30x36	36T Flexvolt blade for fine cutting
DT99570-QZ	216x30x60	60T Flexvolt blade for ultra-fine cutting

Consult your dealer for further information on the appropriate accessories.

## Protecting the Environment



Separate collection. Products and batteries marked with this symbol must not be disposed of with normal household waste. Products and batteries contain materials that can be recovered or recycled reducing the demand for raw materials. Please recycle electrical products and batteries according to local provisions. Further information is available at [www.2helpU.com](http://www.2helpU.com).

## Rechargeable Battery Pack

This long life battery pack must be recharged when it fails to produce sufficient power on jobs which were easily done before. At the end of its technical life, discard it with due care for our environment:

- Run the battery pack down completely, then remove it from the tool.
- Li-Ion cells are recyclable. Take them to your dealer or a local recycling station. The collected battery packs will be recycled or disposed of properly.

# 충전식 소형 마이터 쏘

## DCS777

### 축하합니다!

DeWALT 공구를 선택해 주셔서 감사합니다. 제품 개발과 혁신을 통한 다년간의 경험은 DeWALT를 전문 전동 공구 사용자들이 가장 믿을 수 있는 제품으로 만들어 왔습니다.

### 기술 데이터

		DCS777
전압	V	54
XPS		예
톱날 직경	mm	216
톱날 구멍	mm	30/25.4
최대 톱날 속도	분 <sup>-1</sup>	6300
마이터(최대 위치)	좌측 및 우측	50°
베벨(최대 위치)	좌측	48°
컴파운드 마이터	베벨	45°
	마이터	45°
<b>용량</b>		
크로스컷 90°	mm	60 x 270
마이터 45°	mm	60 x 190
마이터 48°	mm	60 x 180
베벨 45°	mm	48 x 270
베벨 48°	mm	45 x 270
전체 크기	mm	460 x 560 x 430
무게	kg	15.0

### 배터리

### 충전기/충전 시간(분)

	V	Ah	무게(Kg)	DCB107	DCB112	DCB115	DCB118	DCB132
DCB546	18/54	6,0/2,0	1,05	270	170	90	60	90
DCB547	18/54	9,0/3,0	1,25	420	300	140	85	140
DCB181	18	1,5	0,35	70	45	22	22	22
DCB182	18	4,0	0,61	185	120	60	60	60
DCB183/B	18	2,0	0,40	90	60	30	30	30
DCB184/B	18	5,0	0,62	240	150	75	75	75
DCB185	18	1,3	0,35	60	40	22	22	22
DCB186	18	6,0	0,85	270	170	90	60	45



**경고:** 부상 위험을 줄이려면 사용 설명서를 숙지하십시오.

### 안전 지침

**경고:** 안전 경고와 지시 사항을 모두 읽으십시오. 경고와 지시 사항을 준수하지 않으면 감전, 화재 및/또는 심각한 부상을 초래할 수 있습니다.

**항후 참고할 수 있도록 모든 경고 및 지시 사항을 보관해두십시오.**

### 일반 안전 규칙

- 작업장을 깨끗하게 유지하십시오.**  
어수선한 작업장과 작업대가 부상을 초래합니다.
- 작업장의 환경을 고려하십시오.**  
공구를 비에 노출시키지 마십시오. 축축하거나 젖은 상태에서 공구를 사용하지 마십시오. 작업장을 충분히 밝게 유지하십시오(250 - 300 렉스). 화재나 폭발의 위험이 있는 곳(예, 가연성 액체 및 가스가 존재하는 곳)에서 공구를 사용하지 마십시오. 작업장은 환기가 잘 되어야 합니다.

- 감전이 되지 않도록 조심하십시오.**  
파이프 관, 라디에이터, 렌지 및 냉장고 등의 접지 표면에 몸이 닿지 않도록 하십시오. 극한의 조건(예, 고습, 금속 부스러기가 나오는 경우 등)에서 공구를 사용할 때는 절연 변압기 또는 (FI) 접지 누전 자동 차단기를 삽입하여 전기 안전을 높일 수 있습니다.
- 다른 사람이 주변에 있지 않도록 하십시오.**  
작업과 관련이 없는 사람, 특히 어린이가 공구나 배터리를 만지지 않도록 하고 작업장에서 멀리 떨어져 있도록 유지하십시오.
- 사용하지 않는 공구는 보관해 두십시오.**  
사용하지 않을 때는 어린이의 손이 닿지 않도록 건조하고 확실히 잠겨 있는 장소에 보관해야 합니다.
- 공구에 무리한 힘을 가하지 마십시오.**  
용도에 맞는 힘을 사용함으로써 보다 안전한 작업을 할 수 있습니다.
- 적합한 공구를 사용하십시오.**  
강력전동공구를 사용해야 하는 작업에 작은 공구를 사용하여 힘을 가하지 마십시오. 의도하지 않은 용도, 예를 들어, 나뭇가지 또는 통나무를 절단하는 용도로 회전 톱을 사용하지 마십시오.

#### 8. 적절한 작업복을 착용하십시오.

늘어지는 옷이나 장신구를 착용하지 마십시오. 움직이는 부품에 끼일 수 있습니다. 실외에서 작업할 때는 미끄럼 방지 신발을 신는 것이 좋습니다. 긴 머리를 넣을 수 있는 머리카락 보호 덮개를 착용하십시오.

#### 9. 보호 장비를 사용하십시오.

항상 보안경을 착용하십시오. 작업 시 먼지나 날아다니는 입자가 발생하는 경우 얼굴 또는 먼지 마스크를 착용하십시오. 이러한 입자는 상당히 뜨거울 수 있으므로, 내열성 앞치마도 착용하십시오. 항상 귀 보호 장구를 착용하십시오. 또한 항상 안전 헬멧도 쓰십시오.

#### 10. 먼지 배출 장비를 연결하십시오.

먼지 배출 및 집진 장비 연결을 위한 장치가 제공되는 경우, 이들 장치가 연결되어 적절히 사용되고 있는지 반드시 확인하십시오.

#### 11. 안전하게 작업하십시오.

가능할 경우 짐쇠 또는 바이스를 사용해 작업을 고정하십시오. 손을 사용하는 것보다 더 안전하며 공구를 작동할 수 있도록 양쪽 손이 자유롭습니다.

#### 12. 무리하게 팔을 뻗지 마십시오.

항상 올바른 자세로 서서 균형을 유지하십시오.

#### 13. 주의 깊게 공구를 유지하십시오.

바이트를 날카롭게 유지하고 보다 안전하고 우수한 성능을 위해 청소를 하십시오. 액세서리를 윤활하고 교환할 경우 지침 사항을 준수하십시오. 공구를 정기적으로 검사하고 손상된 경우 공인 서비스 기관에서 수리를 받으십시오. 핸들과 스위치는 건조하고 깨끗한 상태를 유지하고 오일/기름이 묻지 않도록 하십시오.

#### 14. 전원에서 공구 플러그를 빼십시오.

사용하지 않을 때, 정비하기 전, 그리고 톱날, 비트 및 커터 등 액세서리를 교환할 때는 전원에서 공구 플러그를 빼십시오.

#### 15. 조정 키와 렌치를 제거하십시오.

공구를 작동하기 전에 공구에서 조정 키와 렌치가 제거되었는지 확인하는 습관을 들이십시오.

#### 16. 의도하지 않은 가동을 방지하십시오.

스위치에 손가락이 닿는 상태로 공구를 들고 다니지 마십시오. 플러그를 끼우기 전에 공구가 "꺼짐" 위치에 있는지 확인하십시오.

#### 17. 경계심을 늦추지 마십시오.

조심해서 작업을 하십시오. 상식을 최대한 적용하고, 피로하거나 약 또는 알코올을 섭취한 상태에서는 공구를 조작하지 마십시오.

#### 18. 손상된 부품을 확인하십시오.

사용하기 전에 공구가 올바르게 작동하여 의도하는 기능을 수행할 것인지 판단하기 위해 공구를 주의 깊게 점검하십시오. 움직이는 부품의 정렬, 움직이는 부품의 바인딩, 부품의 파손, 장착 및 작동에 영향을 미칠 수 있는 기타 모든 상태를 점검하십시오. 사용 설명서에 달리 명시되어 있지 않은 한 손상된 가드 또는 기타 부품은 올바르게 수리하거나 공인 서비스 센터에서 교체해야 합니다. 결함 있는 스위치는 공인 서비스 센터에서 교체를 받으십시오. 스위치를 켜거나 끌 수 없는 경우 공구를 사용하지 마십시오. 절대로 직접 수리하려고 하지 마십시오.

**!** **경고!** 사용 설명서에서 권장하는 방식 이외의 다른 방식으로 본 공구를 조작하거나 액세서리 또는 부착물을 사용하는 경우 신체 부상의 위험이 있을 수 있습니다.

#### 19. 유자격 기술자로부터 공구를 수리 받으십시오.

이 전동 공구는 관련 안전 규칙을 준수합니다. 수리는 유자격 기술자가 예비 부품을 사용해 실시해야 합니다. 그렇지 않을 경우 사용자에게 상당한 위험이 초래될 수 있습니다.

### 마이터 쏘에 대한 추가 안전 규칙

- 제조업체에서 권장하는 재료 이외의 물질을 절단하는 데 이 톱을 사용하지 마십시오.

- 가드가 제자리에 있지 않거나, 가드가 제대로 기능하지 않거나 제대로 유지 보수되지 않은 경우 기기를 작동하지 마십시오.
- 베벨 절단을 수행할 때 암이 단단히 고정되었는지 확인하십시오.
- 기계 주변에 바닥을 잘 관리하고 부스러기 조각과 절단 물질 등 마음대로 돌아다니는 물질이 없도록 유지하십시오.
- 절삭할 재료에 맞는 적절한 날을 선택하십시오.
- 정확하게 날카로운 톱날을 사용하십시오. 톱날의 최대 속도 지점을 준수하십시오.
- 작업을 시작하기 전에 모든 잠금 노브와 클램프 핸들이 꼭 조여졌는지 확인하십시오.
- 톱이 전원 장치에 연결되어 있을 때는 톱날 부근에 손을 두지 마십시오.
- 톱날을 공구 또는 기타 수단으로 멈추게 하여 빠르게 움직이는 기계를 정지하려고 하지 마십시오. 심각한 사고가 발생할 수 있습니다.
- 액세서리를 사용하기 전에 사용 설명서를 참고하십시오. 액세서리를 잘못 사용하면 다칠 수 있습니다.
- 톱날 또는 거친 물질을 취급할 때는 홀더를 사용하거나 장갑을 착용하십시오.
- 사용하기 전에 톱날이 정확하게 장착되었는지 확인하십시오.
- 톱날이 정확한 방향으로 돌아가는지 확인하십시오.
- 권장하는 것보다 더 크거나 더 작은 날을 사용하지 마십시오. 적절한 정격 톱날에 대해서는 **기술 데이터**를 참조하십시오. EN847-1을 준수하는, 본 사용 설명서에 지정된 날만 사용하십시오.
- 특수하게 설계된 소음 감소 날의 사용을 고려해 보십시오.
- 고속 스틸 날을 사용하지 마십시오.
- 금이 가거나 손상된 톱날은 사용하지 마십시오.
- 연마제 또는 다이아몬드 디스크를 사용하지 마십시오.
- 표기되어 있는 속도가 톱에 표기된 속도와 최소한 같은 톱날만 사용하십시오.
- 절단판 없이 톱을 사용하지 마십시오.
- 스위치를 풀기 전에 작업물의 절단된 곳에서 톱날을 들어올리십시오.
- 매번 절단하기 전에 공구가 안정적인지 확인하십시오.
- 모터 축을 고정하는 팬에 어떤 것도 끼워 넣지 마십시오.
- 가드 릴리즈 레버 **2**를 누르면 톱의 날 가드가 열립니다.
- 톱의 전원을 끄지 않는 한 날 가드를 수동으로 올리지 마십시오. 톱날을 설치 또는 분리하거나, 톱 점검 시 가드를 손으로 올릴 수 있습니다.
- 모터 에어 슬롯이 깨끗하고 부스러기가 없는지 정기적으로 확인하십시오.
- 절단판이 닳았을 경우 교체하십시오.
- 유지 보수 작업을 수행하기 전에, 또는 날을 교환할 때 본선에서 기계의 플러그를 뽑으십시오.
- 기계가 계속 작동 중이고 헤드가 휴지 위치에 있지 않을 때는 청소 또는 유지 보수 작업을 수행하지 마십시오.
- LED가 장착되었을 때는 다른 유형의 LED 교환은 허용되지 않습니다. 수리는 제조업체 또는 공인 대리점에서만 수행해야 합니다.
- 나무를 톱으로 켤 때는 톱을 집진 장치에 연결하십시오. 항상 다음과 같은 먼지 노출의 영향을 받는 요인들을 고려하십시오.
  - 공구를 사용할 재료의 종류(합판은 나무보다 먼지가 더 많이 남);
  - 톱날의 날카로움;
  - 톱날의 정확한 조정;
  - 적어도 20m/s의 풍속을 내는 먼지 제거기.

덮개, 칸막이 및 환송 장치는 물론 로컬 배출 기능이 제대로 조정되어 있는지 확인하십시오.

- 소음 노출에 영향을 주는 다음과 같은 요소를 알고 계십시오.
  - 발생하는 소음을 줄이도록 고안된 톱날을 사용할 것.
  - 충분히 날카로운 톱날만 사용할 것.
- 기계 유지 보수를 정기적으로 받아야 합니다.
- 적절한 전체 또는 부분 조명을 제공하십시오.
- 작업자가 기계 사용, 조정 및 작동에 대해 충분히 교육을 받았는지 확인하십시오.
- 모든 스페이서와 축 링이 본 설명서에 기술한 대로 해당 용도에 적합인지 확인하십시오.
- 기계가 돌아가고 있고 톱 헤드가 정지 위치에 있지 않을 경우 절단 영역에서 작업물의 절단된 부분 또는 기타 부품 제거를 삼가하십시오.
- 작업물을 150 mm보다 더 짧게 절단하지 마십시오.
- 추가적으로 지지할 필요 없이, 본 기계는 다음과 같이 최대 작업물 크기를 수용할 수 있도록 고안되었습니다.
  - 높이 60 mm, 너비 216 mm, 길이 500 mm
  - 더 긴 작업물은 적합한 추가 테이블(예, DE7023)로 지지되어야 합니다. 항상 작업물을 안전하게 고정하십시오.
- 사고가 나거나 기계가 고장 난 경우에는 즉시 기계를 끄고 전원에서 기계의 플러그를 뽑으십시오.
- 다른 사람들이 결함이 있는 기계를 사용하지 않도록 고장을 보고하고 적당한 방법으로 기계에 표시를 하십시오.
- 절단 중에 톱날이 비정상적인 이송력으로 인해 차단된 경우 기계를 끄고 전원에서 플러그를 뽑으십시오. 작업물을 제거하고 톱날이 잘 돌아가는지 확인하십시오. 기계의 전원을 켜고 이송력을 줄인 상태에서 새 절단 작업을 시작하십시오.
- 경함금, 특히 마그네슘을 절단하지 마십시오.
- 상황이 허용하는 대로, 공구를 8 mm 직경 및 길이 80 mm의 볼트를 사용해 작업대에 장착하십시오.

## 기타 발생 가능한 위험

다음 위험들은 톱 사용 시 내재하고 있습니다.


- 돌아가는 부품을 만짐으로 인해 발생하는 부상
- 관련된 안전 규정을 준수하고 안전 장치를 사용한다고 해도 특정한 위험은 피할 수 없습니다. 이러한 위험은 다음과 같습니다.
  - 정력 손상
  - 돌아가는 톱날의 덮여 있지 않는 부품으로 인한 사고의 위험
  - 맨손으로 톱날을 교체할 때의 부상 위험
  - 가드를 열 때 손가락이 눌리는 위험
  - 나무, 특히, 오크, 너도밤나무 및 MDF를 톱질할 때 발생하는 먼지를 호흡함으로써 초래되는 건강 상의 위험


다음과 같은 요인은 호흡 문제의 위험을 증가시킵니다.

- 나무를 톱질할 때 연결된 먼지 제거기가 없음.
- 깨끗하지 않은 배기 필터로 인한 불충분한 먼지 추출.

## 전기 안전

전기 모터는 한 가지 전압에만 맞추어 설계되었습니다. 배터리 팩 전압이 명판에 기재된 전압과 일치하는지 항상 확인하십시오. 또한 충전기의 전압이 주전원의 전압과도 일치하는지 확인하십시오.

 DeWALT 충전기는 IEC60335에 따라 이중 절연되어 있습니다. 따라서 접지선이 필요하지 않습니다.

 **경고:** 115 V 기기는 1차 권선과 2차 권선 사이에 접지판이 있는 페일 셰이프 절연 변압기를 통해 작동되어야 합니다.

전원 코드가 손상된 경우에는 DeWALT 서비스 센터를 통해 특수 제작된 코드로 교체해야 합니다.

### 연장 케이블 이용

연장 코드는 가급적 사용하지 마십시오. 사용 중인 전원공급기 정격전원에 맞는 승인된 연장 코드를 사용하십시오([기술 데이터 참조](#)). 최소 도체 크기는 1 mm<sup>2</sup>, 최대 길이는 30 m입니다. 케이블 릴을 사용할 때는 항상 케이블을 완전히 푸십시오.

## 본 지침을 잘 보관해 두십시오


### 충전기


DeWALT 충전기는 어떠한 조절 작업도 필요 없으며 최대한 작동하기 쉽게 설계되었습니다.


### 모든 배터리 충전기에 대한 중요한 안전 지침

**본 지침을 잘 보관해 두십시오.** 본 사용 설명서에는 호환이 되는 배터리 충전기에 대한 중요한 안전 및 작업 지침이 포함되어 있습니다([기술 데이터 참조](#)).

- 충전기를 사용하기 전에 충전기, 배터리 팩, 그리고 배터리 팩 관련 제품에 대한 지침과 주의 표시를 숙지하십시오.

 **경고:** 감전 위험. 충전기 내부에 액체가 들어가지 않도록 하십시오. 감전될 수 있습니다.

 **경고:** 정격 전류 전류가 30mA 미만인 누전 차단기를 사용하는 것이 좋습니다.

 **주의:** 화학 위험. 신체 부상의 위험을 줄이려면 DeWALT 충전용 배터리로만 충전하십시오. 다른 유형의 배터리는 폭발로 인한 신체 부상과 손상을 초래할 수 있습니다.

 **주의:** 어린이가 본 제품을 가지고 놀지 못하도록 항상 주시해야 합니다.

**참고:** 특정 조건에서, 충전기가 전원 공급기에 연결되어 있으면 충전기 내부에 노출된 충전 접점이 이물질에 의해 단락될 수 있습니다. 철부스러기, 알루미늄 호일, 금속 입자 축적물 등의 전도성 이물질은 충전기 캐비티에 닿지 않게 해야 합니다. 캐비티 안에 배터리 팩이 없을 경우 항상 배터리 전원 공급기에서 충전기의 플러그를 뽑으십시오. 충전기를 청소할 때는 플러그를 뽑아야 합니다.

- **본 사용 설명서에 명시된 충전기 외의 다른 충전기로 배터리 팩을 충전하지 마십시오.** 본 충전기와 배터리 팩은 함께 사용하도록 특수 설계되었습니다.

• 이러한 충전기는 DeWALT 충전용 배터리 충전 이외의 용도로는 사용하지 않습니다. 다른 용도로 사용하면 화재, 감전 또는 감전사의 위험이 있습니다.

• 충전기가 비나 눈을 맞지 않도록 하십시오.

• 충전기를 분리할 경우 코드가 아니라 플러그를 뽑으십시오. 그래야만 전기 플러그 및 코드 손상의 위험이 줄어듭니다.

• 코드가 밟히거나 걸리거나 기타 원인에 의해 손상되거나 압박을 받지 않도록 유의하십시오.

• 불가피한 경우가 아니면 연장 코드를 사용하지 마십시오. 연장 코드를 잘못 사용하면 화재, 감전 또는 감전사의 위험이 있습니다.

• 충전기 위에 물건을 올려놓거나 부드러운 표면에 충전기를 두면 환기 슬롯이 막혀 내부가 과열될 수 있습니다. 충전기는 열원에 가까이 두지 마십시오. 충전기는 하우징의 상단과 하단에 있는 슬롯을 통해 환기됩니다.

• 코드나 플러그가 손상된 충전기를 작동시키지 마십시오 - 즉시 교체하십시오.

• 심한 충격을 받았거나 떨어뜨렸거나 어떠한 식으로든 손상된 경우에는 충전기를 작동시키지 마십시오. 공인 서비스 센터로 가져가십시오.

• 충전기를 분해하지 마십시오. 서비스나 수리가 필요한 경우에는 공인 서비스 센터로 가져가십시오. 잘못 재조립하면 화재, 감전 또는 감전사의 위험이 있습니다.

• 전원 코드가 손상된 경우 사고 방지를 위해 제조업체, 서비스 대리점 또는 이에 준하는 유자격 수리 기술자를 통해 즉시 교체하십시오.

• 청소하려면 먼저 충전기를 콘센트에서 분리하십시오. 그래야 감전 위험이 줄어듭니다. 배터리 팩을 제거하는 것만으로 이러한 위험이 줄어들지는 않습니다.

• 절대로 충전기 두 개를 함께 연결하지 마십시오.

• 충전기는 가정용 표준 전력(220~240V)으로 작동하도록 설계되어 있습니다. 다른 전압에서는 사용하지 마십시오. 차량용 충전기는 제외됩니다.

## 배터리 충전(그림 C)

1. 배터리 팩을 끼우기 전에 충전기를 적절한 콘센트에 꽂습니다.
2. 충전기에 배터리 팩 **27** 을 끼우고 배터리 팩이 완벽히 장착되었는지 확인하십시오. 빨간색(충전 중) 표시등이 반복해서 깜박이면서 충전 프로세스가 시작되었음을 알려줍니다.
3. 충전이 완료되면 빨간색 불이 계속 켜져 있습니다. 배터리 팩이 완전히 충전되면 바로 사용하거나 충전기에 그대로 둡니다. 배터리 팩을 충전기에서 분리하려면, 배터리 팩에 있는 배터리 탈착 버튼 **28** 을 누릅니다.

**참고:** 리튬이온 배터리 팩의 성능과 수명을 극대화하려면 처음 사용하기 전에 배터리 팩을 완전히 충전시키십시오.

## 충전기 작동

배터리 팩의 충전 상태는 아래 표시등을 참조하십시오.

### 충전 표시등

	충전 중	
	완전 충전됨	
	냉/온 팩 지연*	

\*빨간색 표시등이 계속 깜박거리지만, 노란색 표시등은 이 작동 동안 계속 켜져 있습니다. 배터리 팩이 적정 온도에 도달하면, 노란색 표시등이 꺼지고 충전기에서 충전 절차를 다시 시작합니다.

이 호환 충전기는 결함이 있는 배터리 팩은 충전하지 못합니다. 충전기는 불이 켜지지 않거나 문제가 있는 팩을 표시하거나 충전기의 깜빡이는 패턴으로 배터리 고장을 나타냅니다.

**참고:** 이는 충전기 고장을 의미할 수도 있습니다.

충전기에 문제가 표시되는 경우 충전기와 배터리 팩을 공인 서비스 센터로 가져 가서 테스트를 받아 보십시오.

### 냉/온 팩 지연

충전기에서 너무 뜨겁거나 차가운 배터리 팩이 감지되면, 냉/온 팩 지연이 자동으로 시작되어 배터리 팩이 적절한 온도가 될 때까지 충전이 중단됩니다. 이 과정이 끝나면 충전기가 자동으로 팩 충전 모드로 전환됩니다. 이 기능은 배터리 팩 수명을 최대한으로 보장하기 위한 것입니다.

차가운 배터리 팩은 따뜻한 배터리 팩보다 더 느린 속도로 충전됩니다. 충전 사이클 전체에 걸쳐 배터리 팩은 이렇게 느린 속도로 충전되며 배터리 팩이 따뜻해지더라도 최대 충전 속도로 작동되지 않습니다.

DCB118 충전기에는 배터리 팩을 식히기 위해 설계된 내장 팬이 장착되어 있습니다. 배터리 팩을 식혀야 하면 팬이 자동으로 켜집니다. 팬이 제대로 작동하지 않거나 환기구가 막혀 있을 경우 충전기를 작동하지 마십시오. 이물질이 충전기 내부로 들어가지 않도록 하십시오.

### 전자 보호 시스템

XR 리튬이온 배터리 팩은 배터리에 과부하가 걸리거나 과열 또는 완전 방전되는 것을 방지하는 전자 보호 시스템으로 설계되었습니다.

이 공구는 전자 보호 시스템이 작동하면 자동으로 꺼집니다. 이러한 경우 리튬 이온 배터리가 완전히 충전될 때까지 충전기에 리튬 이온 배터리 팩을 넣으십시오.

### 벽 장착

이들 충전기는 테이블 또는 작업 표면에 똑바로 세우거나 벽에 장착할 수 있도록 설계되었습니다. 벽에 장착하는 경우, 충전기는 전기 콘센트에 닿을 수 있는 범위 내에 놓고, 공기 흐름이 방해될 수 있는 코너 또는 기타 장애물로부터 멀리 두십시오. 벽에서 장착 나사의 위치는 견본으로 충전기의 뒤쪽을 사용하십시오. 나사 머리 직경이 7-9 mm인 최소 25.4 mm 길이의 석고보드 나사(별도 구매)를 사용해서 충전기를 단단히 장착하고, 노출된 나사의 약 5.5 mm를 남겨 두고 최적의 길이로 목재에 고정합니다. 충전기 뒤쪽의 구멍을 노출되어 있는 나사에 맞추고 구멍에 완전히 맞물리도록 하십시오.

## 충전기 청소 지침

**⚠ 경고: 감전 위험. 청소하려면 먼저 충전기를 AC 콘센트에서 분리하십시오.** 행감이나 부드러운 금속 이외 브러시로 충전기 외관 부분에 묻은 먼지 및 기름을 제거할 수 있습니다. 물이나 세척제를 사용하지 마십시오. 공구 내부에 액체를 넣거나 공구 부품을 액체에 담그는 행동은 절대 금물입니다.

## 배터리 팩

### 모든 배터리 팩에 대한 중요한 안전 지침

교체 배터리 팩을 주문할 때는 카탈로그 번호와 전압을 반드시 확인하고 표기해야 합니다.

배터리 팩은 포장박스에서 꺼낼 때 완전히 충전된 상태가 아닙니다. 배터리 팩과 충전기를 사용하기 전에 아래 안전 지침을 숙독하십시오. 그런 다음 설명된 충전 절차를 따르십시오.

### 모든 지시 사항을 읽으십시오

- 가연성 액체, 가스 또는 먼지 등 폭발 위험이 있는 환경에서 배터리를 충전하거나 사용하지 마십시오. 배터리를 끼우거나 충전기에서 분리할 때 먼지나 가스에 불이 붙을 수 있습니다.
- 충전기에 배터리 팩을 끼울 때 과도한 힘을 주지 마십시오. 어떤 형태로든 호환되지 않는 충전기에 사용하기 위해 배터리 팩을 개조하지 마십시오. 배터리 팩이 파열되어 심각한 부상을 유발할 수 있습니다.
- DeWALT 충전기에서만 배터리 팩을 충전하십시오.
- 물이나 기타 액체가 튀어 묻거나 액체에 빠지지 않도록 하십시오.
- 온도가 40 °C (104 °F)를 초과할 수 있는 곳(여름철 허름한 창고 또는 금속 건물 등)에 공구와 배터리 팩을 보관하거나 사용하지 마십시오.
- 배터리 팩이 심하게 손상되거나 완전히 낡았다더라도 절대 소각하지 마십시오. 배터리 팩은 불 속에서 폭발할 수 있습니다. 리튬이온 배터리 팩은 연소되면서 독성 연기와 물질을 발생시킵니다.
- 배터리 내용물이 피부에 닿으면 즉시 중성 세척제로 해당 부위를 씻으십시오. 배터리액이 눈에 들어갔을 경우, 15분 정도 또는 통증이 가실 때까지 눈을 뜨고 물로 씻어냅니다. 치료가 필요한 경우를 위해, 배터리 전해질은 액체 유기 탄산염과 리튬염의 혼합물로 구성되어 있음을 알아 두십시오.
- 열린 배터리 셀의 내용물은 호흡기 질환을 일으킬 수 있습니다. 신선한 공기를 마시십시오. 증상이 계속되면 치료를 받으십시오.

**⚠ 경고: 화상 위험. 배터리액은 불꽃이나 화염에 노출되면 연소될 수 있습니다.**

**⚠ 경고: 어떤 이유로든 배터리 팩을 절대 분해하지 마십시오. 배터리 팩 케이스가 깨지거나 손상되면 충전기에 넣지 마십시오. 배터리 팩을 뭉개거나 떨어뜨리거나 손상시키지 마십시오. 강한 충격을 받았거나, 떨어뜨렸거나, 차에 치였거나 기타의 원인으로 어떤 방식으로든 손상된(못이 박히거나 망치로 맞았거나 밟힘) 배터리 팩이나 충전기는 사용하지 마십시오. 감전 또는 감전사의 위험이 있습니다. 손상된 배터리 팩은 재활용을 위해 서비스 센터에 반환해야 합니다.**

**⚠ 경고: 화재 위험. 배터리 팩을 보관하거나 휴대할 때는 노출된 배터리 단자에 금속 물체가 닿지 않도록 하십시오. 예를 들어, 못, 나사, 키 등이 있는 앞치마, 주머니, 도구상자, 제품 키트 상자, 서랍 등에 배터리 팩을 두지 마십시오.**

**⚠ 주의: 사용하지 않는 공구는 걸려 넘어지거나 떨어질 위험이 없는 안정된 표면에 놓여 두십시오. 배터리 팩이 큰 일부 공구들은 배터리 팩 위에 바로 서 있지만 쉽게 넘어질 수 있습니다.**

### 운반



**경고: 화재 위험.** 배터리를 운반할 때 배터리 단자가 실수로 전도성 물질과 닿을 경우 화재 위험의 가능성이 있습니다. 배터리를 운반할 경우에는 배터리 단자가 보호되어 있고, 물체에 닿을 경우 단락을 일으킬 수 있는 물체로부터 제대로 절연되어 있는지 확인하십시오.

DeWALT 배터리는 위험물운송규칙(Transport of Dangerous Goods), IATA (International Air Transport Association, 국제 항공 운송 협회) 위험물 규정, IMDG (International Maritime Dangerous Goods, 국제해상위험물운송) 규칙 및 위험물 도로운송에 관한 ECE의 규칙(European Agreement Concerning The International Carriage of Dangerous Goods by Road, ADR)에 대한 UN 권고사항을 포함하여, 산업 및 법적 기준에 의한 규정에 따라 모든 해당 운송 규정을 준수하고 있습니다. 리튬 이온 전지 및 배터리는 위험 화물 테스트 및 기준 설명서에 대한 UN 권고 38.3항에 따라 테스트되었습니다. 대개의 경우에, DeWALT 배터리 팩 해상 운송은 완전 규제를 받는 Class 9 위험 물질로 분류되는 것에서 제외됩니다. 일반적으로, 에너지효율 등급이 100 와트시(Wh)보다 큰 리튬 이온 배터리를 포함하는 수송품만 완전 규제를 받는 Class 9에 따라 수송되어야 합니다. 모든 리튬 이온 배터리에는 팩에 와트시 등급이 표시되어 있습니다. 뿐만 아니라, 규정의 복잡성으로 인해 DeWALT는 와트시 등급에 상관 없이 항공 운송 리튬 이온 배터리 팩을 단독으로 권장하지 않습니다. 배터리 팩의 와트시 등급이 100 Whr보다 크지 않을 경우는 제외됨으로 배터리(콤보 키트)가 포함된 공구의 수송품을 항공 운송할 수 있습니다.

수송품이 예외로 고려되든지 또는 완전 규제를 받든지 상관없이, 포장 라벨링/표시 및 문서 요건에 관한 최신 규정을 참고하는 것은 운송 회사의 책임입니다.

설명서의 본 섹션에서 제공하는 정보는 신념을 갖고 제공되며 문서가 작성될 당시에는 정확한 것으로 간주됩니다. 단, 명시적이거나 함축적으로 보증은 제공되지 않습니다. 활동 시 해당 규정을 준수하는 것은 구매자의 책임입니다.

### FLEXVOLT™ 배터리 운반

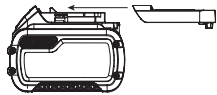
DeWALT FLEXVOLT™ 배터리에는 두 개의 모드, 즉 **사용** 및 **운반**이 있습니다.

**사용 모드:** FLEXVOLT™ 배터리는 독립되어 있거나 DeWALT 18V 제품 안에 있을 경우, 18V 배터리로 작동됩니다. FLEXVOLT™ 배터리는 54V 또는 108V (두 개의 54V 배터리) 제품이면, 54V 배터리로 작동됩니다.

**운반 모드:** 캡이 FLEXVOLT™ 배터리에 장착되어 있으면, 배터리는 운반 모드에 있는 것입니다. 운송 시 캡을 유지하십시오.

운반 모드에 있을 때, 더 높은 와트시 등급의 배터리 1개에 비해 더 낮은 와트시(Wh) 등급의 배터리 3개가 되는 팩 내에서 일련의 셀은 전기 연결이 끊어져 있습니다. 와트시 등급이 더 낮은 이 증가된 배터리 3개 수량은 더 높은 와트시 배터리에 부과되는 특정 수송 규정에서 팩을 면제시킬 수 있습니다.

운반 Wh 등급은 3 x 36 Wh를 나타내며, 각 36 와트시 배터리 3개를 의미합니다. 사용 Wh 등급은 108 와트 시를 나타냅니다(1개의 배터리 의미).



사용 및 운반 라벨 표시의 예를 나타내며, 각 36 와트시 배터리 3개를 의미합니다.



### 보관 권장 사항

- 보관 장소로는 직사광선을 받지 않고 지나치게 덥거나 춥지 않은 시원하고 건조한 곳이 가장 좋습니다. 최적의 배터리 성능과 수명을 위해, 사용하지 않을 때에는 배터리 팩을 실온에서 보관하십시오.
- 장기간 보관하는 경우, 최적의 결과를 위해 완전히 충전된 배터리 팩을 충전기에서 분리하여 차갑고, 건조한 장소에 보관하는 것이 좋습니다.

**참고:** 배터리 팩은 완전히 방전된 상태로 보관해서는 안됩니다. 사용 전에 배터리 팩을 재충전해야 합니다.

### 충전기 및 배터리 팩에 부착된 라벨

본 설명서에 사용된 그림 외에도 충전기 및 배터리 팩에 부착된 레이블에는 다음과 같은 그림이 표시되어 있습니다.



사용 전에 사용 설명서의 내용을 숙지하십시오.



충전 시간은 **기술 데이터**를 참조하십시오.



전도성 있는 물체로 시험하지 마십시오.



손상된 배터리 팩을 충전하지 마십시오.



물에 닿지 않도록 하십시오.



손상된 코드는 즉시 교체하십시오.



4 °C ~ 40 °C 사이에서만 충전하십시오.



실내 전용.



환경 보호 차원에서 배터리 팩을 폐기하십시오.



지정된 DeWALT 충전기만으로 DeWALT 배터리 팩을 충전하십시오. DeWALT 충전기에 지정된 DeWALT 배터리 이외의 배터리 팩을 충전하면 폭발하여 다른 위험한 상황으로 이어질 수 있습니다.



배터리 팩을 소각하지 마십시오.



**사용:** 운반 캡 없이 사용하고, Wh 등급은 108 Wh를 나타냅니다(108 Wh의 배터리 1개).



**운반:** 내장된 운반 캡으로 운반, Wh 등급은 3 x 36 Wh를 나타냅니다(36 Wh의 배터리 3개).

### 배터리 유형

DCS777은 54 볼트 배터리 팩으로 작동됩니다. 이러한 배터리 팩은 DCB546에 사용할 수 있습니다. 자세한 정보는 **기술 데이터**를 참조하십시오.

### 포장 내용물

포장에는 다음 내용물이 들어 있습니다.

- 1 부분 조립된 공구
  - 2 육각 키(4 mm 및 6 mm)
    - 1 216 mm TCT 톱날
    - 1 작업물 고정대
    - 2 배터리 팩(T2 모델)
      - 1 충전기(T2 모델)
      - 1 사용 설명서
- 운반 중에 발생할 수 있는 공구, 부품 또는 액세서리의 손상 여부를 확인하십시오.
  - 작동 전에 시간을 내어 본 사용 설명서를 읽고 숙지하십시오.

## 공구에 표시된 마크

공구에는 다음과 같은 그림이 있습니다.



사용 전에 사용 설명서의 내용을 숙지하십시오.



귀 보호 장구를 착용하십시오.



보안경을 착용하십시오.



가시 방사선이므로, 쳐다보지 마십시오.



이동 지침

## 날짜 코드 위치(그림 B)

날짜 코드 57에는, 제조년도가 포함되어 이 제조년도는 케이스에 인쇄되어 있습니다.

예:  
2016 XX XX

## 설명 (그림 A-C, E)

**경고:** 전동 공구 또는 전동 공구의 어떤 부품도 절대 개조하지 마십시오. 제품이 파손되거나 신체 부상을 당할 수도 있습니다.

- |                 |                    |
|-----------------|--------------------|
| 1 커짐/꺼짐 스위치     | 19 가드 락 업 후크       |
| 2 가드 락 업 릴리스 레버 | 20 베벨 클램프 핸들       |
| 3 운반용 핸들        | 21 베벨 눈금           |
| 4 고정 상부 가드      | 22 작업대 장착 구멍       |
| 5 덮개 만조         | 23 내려 잠금 버튼        |
| 6 날 볼트          | 24 트래버스 바          |
| 7 하부 날 가드       | 25 톱 헤드            |
| 8 톱날            | 26 육각 키            |
| 9 슬라이딩 펜스 잠금 노브 | 27 배터리 팩           |
| 10 고정 테이블       | 28 배터리 팩 탈착 버튼     |
| 11 절단판          | 29 배터리 잔량표시계 버튼    |
| 12 마이터 암        | 30 잠금 해제 스위치       |
| 13 마이터 래치       | 31 오버라이드 버튼        |
| 14 회전 테이블/미터 암  | 32 운반용 핸들(좌측 및 우측) |
| 15 마이터 눈금       | 33 아래 만조(그림 E)     |
| 16 슬라이딩 펜스      | 34 집진 장치 포트        |
| 17 작업용 고정대      | 35 XPS 버튼          |
| 18 트래버스 락       |                    |

## 용도

DeWALT 충전식 소형 마이터 쓰는 나무, 목제품, 알루미늄 및 플라스틱을 전문적으로 절단하도록 고안되었습니다. 본 전동공구는 교차절단, 베벨링 및 마이터링을 쉽고, 정확하고 안전하게 수행할 것입니다.

이 공구는 공칭 날 직경 216mm의 초경 텅 날과 함께 사용하도록 고안되었습니다

습한 환경이나 가연성 액체 또는 가스가 있는 장소에서 사용하지 마십시오.

이 마이터 쓰는 전문적인 전동 공구입니다.

어린이가 이 공구를 만지지 않도록 하십시오. 경험이 없는 작업자가 이 공구를 사용할 때는 감독자의 지도가 필요합니다.



**경고!** 의도한 용도 이외의 목적으로 기계를 사용하지 마십시오.

- **어린이 및 노약자.** 본 제품은 어린이나 노약자가 사용하도록 설계되지 않았습니다. 이러한 사람이 사용할 때는 감독이 필요합니다.
- 본 제품은 안전 책임을 맡고 있는 사람이 감독을 하고 있지 않는 한 경험, 지식 또는 기술이 부족하고 신체적, 감각적 또는 정신적 능력이 미약한 사람(어린이 포함)이 사용하도록 고안된 것이 아닙니다. 이 제품과 함께 어린이만 혼자 두어서는 안됩니다.

## 조립



**경고:** 심각한 신체 부상의 위험을 줄이려면 공구를 조정하거나 부착물 또는 액세서리를 제거/설치하기 전에 공구를 끄고 배터리 팩을 분리하십시오. 공구가 갑자기 작동하여 부상을 당할 수 있습니다.



**경고:** DeWALT 배터리 팩과 충전기만 사용하십시오.

## 포장 풀기

모터와 가드는 이미 베이스에 조립되어 있습니다.

## 배터리 팩 삽입 및 공구에서 배터리 팩 분리 (그림 A-C)

참고: 배터리 팩 27이 완전히 충전되었는지 확인하십시오.

### 배터리 팩을 공구에 설치하려면

1. 공구 핸들 안쪽의 레일에 배터리 팩 27을 맞춥니다(그림 A).
2. 공구에 배터리 팩이 견고하게 장착될 때까지 핸들에 밀어 넣고 딸깍하고 잠기는 소리가 들리는지 확인하십시오.

### 공구에서 배터리 팩을 분리하려면

1. 탈착 버튼 28을 누르고 배터리 팩을 공구 핸들에서 완전히 빼냅니다.
2. 본 사용 설명서의 충전기 섹션에 설명된 대로 배터리 팩을 충전기에 삽입합니다.

### 잔량표시계 배터리 팩(그림 C)

일부 DeWALT 배터리 팩에는 배터리 팩의 남아 있는 충전 레벨을 표시하는 세 개의 녹색 LED 등으로 구성된 연료계가 포함되어 있습니다.

연료계를 작동시키려면, 잔량표시계 버튼 29을 누릅니다. 녹색 LED 표시등 3개가 조합되어 커짐으로써 충전 잔량 수준을 나타냅니다. 배터리 잔량이 사용 가능한 한계치 미만이면 배터리 잔량표시계가 커지지 않으며 배터리를 재충전해야 합니다.

참고: 연료계는 배터리 팩에 남아 있는 충전 레벨을 나타내는 것일 뿐입니다. 공구의 기능성을 나타내는 것이 아니며 제품 구성품, 온도 및 최종 사용자의 용도에 따라 변경될 수 있습니다.

## 작업대 장착(그림 B)

1. 벤치 장착을 쉽게 할 수 있도록 네 개의 모든 발에 구멍 22이 제공되어 있습니다. 직경 8 mm 및 길이 80 mm의 볼트가 좋습니다. 항상 톱을 단단히 장착해서 이동되지 않도록 하십시오. 이동성을 향상시키기 위해, 공구는 작업 지지대에 쥘 수 있는 혹은 다른 작업대로 옮기거나 다시 쥘 수 있는 12.5 mm 두께 이상의 합판 조각에 고정할 수 있습니다.
2. 톱을 합판 조각에 장착할 때 설치나사가 나무의 아래쪽에서 튀어나오지 않도록 하십시오. 합판은 작업 지지대와 수평을 이루도록 장착되어야 합니다. 작업 표면에 톱을 쥘 때 설치나사 구멍이 있는 조임돌기에만 조이십시오. 다른 지점에서 조이면 톱이 제대로 작동하는데 방해가 됩니다.
3. 무이거나 부정확하지 않도록 고정 표면이 휘거나 울퉁불퉁하지 않도록 확인하십시오. 톱이 흔들릴 경우 톱이 장착면에 확실하게 장착될 때까지 한 개의 톱 못 아래에 얇은 조각을 대십시오.

## 톱날 장착(그림 A, D, E)



**경고:** 액세서리를 설치 및 제거하기 전, 구성 상태를 조정하거나 변경하기 전, 또는 수리 시 부상의 위험을 줄이려면 장치를 끄고 전원에서부터 연결을 차단하십시오. 트리거 스위치가 꺼짐 위치에 있는지 반드시 확인하십시오. 공구가 갑자기 작동하여 부상을 당할 수 있습니다.



**경고:** 새 톱니는 매우 날카로우므로 위험할 수 있습니다.



**경고:** 톱날은 설명한 방식으로만 교체해야 함을 유의하십시오. 기술 데이터에 지정된 대로만 톱날을 사용하십시오. (카탈로그 번호: DT4320 제한됨).

1. 톱날 샤프트의 반대 위치에 6 mm 육각 키 26를 삽입하고 기다립니다(그림 D).
2. 그림 D와 같이 스프링 잠금 장치로 제2의 육각 키를 사용하십시오.
3. 시계 방향으로 돌려서 날 볼트 6를 풀습니다. 날 볼트와 덮개 만조 5를 제거합니다.
4. 하부 가드 락 업 릴리즈 레버 2를 눌러서 하부 날 가드 7를 들어 올리고 톱날 8을 제거합니다.
5. 날 하단 가장자리의 치가 펜스를 향하는지 확인하면서 (작업자로부터 거리를 둠) 내부 만조 33에 제공된 슬롯에 새 톱날을 설치합니다.
6. 위치 러그 36가 정확하게 맞물렸는지 확인하면서 모터 축의 각 측면에서 하나씩 덮개 만조 5를 교체합니다.
7. 다른 손으로 잡은 6 mm 육각 키 26가 를 잡은 상태에서 날 볼트 6를 시계 반대 방향으로 돌려서 조입니다.

## 조정



**경고:** 심각한 신체 부상의 위험을 줄이려면 공구를 조정하거나 부착물 또는 액세서리를 제거/설치하기 전에 공구를 끄고 배터리 팩을 분리하십시오. 공구가 갑자기 작동하여 부상을 당할 수 있습니다.

마이터 쓰는 출고 시 정확하게 조정되어 있습니다. 발송 또는 다른 이유로 인해 재조정이 필요할 경우, 아래의 단계에 따라 톱을 조정하십시오. 일단 했으면, 이 조정은 정확하게 유지되어야 합니다.

## 일정한 절단 깊이를 위해 트래버스 바 조정(그림 A, B, F, H)

날은 테이블 전체 길이에 따라 일정한 절삭 깊이에서 작동되어야 하고 슬롯 뒤쪽 또는 회전하는 암 앞쪽에 있는 고정 테이블에 닿아서는 안됩니다. 이를 달성하기 위해서는 톱 헤드를 완전히 누르고 있을 때 트래버스 암이 테이블과 완벽하게 평행을 이루어야 합니다.

1. 하부 가드 락 업 릴리즈 레버 2 (그림 A)를 누릅니다.
2. 톱 헤드를 뒤쪽 위치로 완전히 누르고 회전 테이블 14에서 덮개 만조 5 하단까지의 높이를 측정합니다.
3. 톱 헤드 트래버스 락 18을 돌립니다(그림 B).
4. 톱 헤드를 완전히 누른 상태에서 헤드를 이동 말단부까지 당깁니다.
5. 그림 F에 표시된 대로 높이를 다시 측정합니다. 두 값이 동일해야 합니다.
6. 조정이 필요할 경우 다음과 같이 진행하십시오(그림 H).
  - a. 브라켓 38에서 고정 나사 37를 풀고 세부 단계로 진행하면서 필요에 따라 나사 39를 조정합니다.
  - b. 고정 나사 37를 조입니다.



**경고:** 항상 날이 90° 수직 및 45° 베벨 위치에서 슬롯 뒤쪽 또는 회전하는 암의 앞쪽에서 테이블에 닿지 않는지 확인하십시오. 이를 확인하기 전에 스위치를 켜지 마십시오!

## 펜스 조정(그림 I)

슬라이딩 펜스 잠금 노브 9를 시계 반대 방향으로 돌려서 풀니다. 슬라이딩 펜스 16를 날이 절단되지 않는 위치로 이동한 다음 시계 방향으로 돌려서 펜스 잠금 노브를 조입니다.

## 펜스에 대해 날 확인 및 조정(그림 B, J, K)

1. 마이터 래치 13를 약간 풀니다.
2. 마이터 암 12에 엄지손가락을 놓고 마이터 래치 13를 손가락으로 꼭 쥐어서 회전하는 테이블/마이터 암 14을 풀니다.
3. 래치가 0° 마이터 위치에 있을 때까지 마이터 암을 돌립니다.
4. 헤드를 아래로 당기고 내려 잠금 버튼 23을 사용해 이 위치에 잠급니다.
5. 마이터 눈금 15에 있는 두 개의 0° 표시 40가 바로 보이는지 확인하십시오.
6. 펜스 16와 날 8의 좌측으로 직각자 41를 놓습니다.



**경고:** 직각자로 톱니의 끝을 건드리지 마십시오.

7. 조정이 필요할 경우 다음과 같이 진행하십시오.
  - a. 나사 42를 풀고 날이 직각자로 측정된 대로 펜스에 대해 90°가 될 때까지 눈금/마이터 암 어셈블리를 왼쪽 또는 오른쪽으로 이동합니다(그림 J).
  - b. 나사 42를 다시 조입니다.

## 테이블에 대해 날 확인 및 조정(그림 L-N)

1. 베벨 클램프 핸들 20을 풀니다(그림 L).
2. 톱 헤드를 오른쪽으로 눌러서 완전히 수직인지 확인하고 베벨 클램프 핸들을 조입니다.
3. 테이블에 삼각자 41를 놓되 날 8에 대해서는 위로 놓습니다(그림 M).



**경고:** 직각자로 톱니의 끝을 건드리지 마십시오.

4. 조정이 필요할 경우 다음과 같이 진행하십시오.
  - a. 베벨 클램프 핸들 20을 풀고 삼각자로 측정된 대로 날이 테이블에 대해 90°가 될 때까지 수직 위치 조정 멈춤나사 43를 안 또는 밖으로 돌립니다.
  - b. 베벨 포인터 44가 베벨 눈금 21에서 0을 나타내지 않을 경우, 눈금을 고정하는 나사 45를 풀고 필요에 따라 눈금을 이동합니다.

## 베벨 각도 확인 및 조정(그림 A, L, N)

베벨 오버라이드를 통해 최대 베벨 각도에 필요에 따라 45° 또는 48°로 설정할 수 있습니다.

- 좌 = 45°
- 우 = 48°

1. 오버라이드 노브 46가 왼쪽 위치에 있는지 확인하십시오.
2. 베벨 클램프 핸들 20을 풀고 톱 헤드를 왼쪽으로 이동합니다.
3. 이는 45° 베벨 위치입니다.
4. 조정이 필요할 경우, 포인터 44가 45°를 가리킬 때까지 필요에 따라 멈춤나사 47를 안 또는 밖으로 돌립니다.



**경고:** 가이드 홈이 톱밥으로 막힐 수 있습니다. 스틱이나 약간 저압의 공기를 사용해 가이드 홈을 청소하십시오.

## 작동을 하기 전에



- 경고:**
- 적절한 톱날을 설치하십시오. 지나치게 마모된 날을 사용하지 마십시오. 공구의 최대 회전 속도는 톱날의 최대 회전 속도를 초과해서는 안됩니다.
  - 지나치게 작은 조각을 절단하려고 하지 마십시오.
  - 날이 자유재로 절단할 수 있어야 합니다. 힘을 주지 마십시오.
  - 절단 전에 모터가 최대 속도에 도달할 수 있어야 합니다.



- 모든 잠금 노브와 클램프 핸들이 조여졌는지 확인하십시오.
- 작업물을 고정하십시오.
- 이 톱은 나무와 여러 비철금속을 절단할 것이지만, 이 작동 지침은 나무 절단만을 참조한 것입니다. 다른 재료에도 동일한 가이드라인이 적용됩니다. 철계(철 및 강) 재료 또는 석조를 이 톱으로 절단하지 마십시오! 연마재 디스크를 사용하지 마십시오!
- 반드시 절단판을 사용하십시오. 톱날 커프의 구멍이 10 mm보다 더 넓은 경우 기계를 작동하지 마십시오.
- 나무 조각에 작업물을 놓음으로써 용량이 300 mm로 증가합니다
- 절단 시 테이블과 펜스에 대해 작업물을 단단히 잡으십시오. 스위치가 풀리고 톱날이 완전히 멈출 때까지 손을 제자리에 유지하십시오.
- 항상 날의 경로를 확인할 수 있도록 절단을 끝내기 전에 총연습(전원 없이)을 하십시오.
- 손을 교차하지 마십시오.
- 양쪽 발을 바닥에 단단히 고정하고 적절한 균형을 유지하십시오.
- 톱 암이 좌우로 움직이므로 따라가되 톱날의 측면에서 약간 옆으로 서 있으십시오.

## 조작

### 사용 지침

**경고:** 항상 안전 지시 사항과 해당 규정을 준수하십시오.

**경고:** 심각한 신체 부상의 위험을 줄이려면 공구를 조정하거나 부착물 또는 액세서리를 제거/설치하기 전에 공구를 끄고 배터리 팩을 분리하십시오. 공구가 갑자기 작동하여 부상을 당할 수 있습니다.

영국의 사용자는 "1974년 목공 기계 규정" 과 이후의 개정 내용에 주의를 하여야 합니다.

작업대 높이와 안정성 면에서 공구가 인체공학적 조건을 충족시키는 위치에 놓았는지 확인하십시오. 어떠한 제약 사항 없이 작업물을 취급할 수 있도록 작업자가 전체적으로 잘 볼 수 있고 기계 주변에 충분히 여유로운 공간이 있도록 기계 위치를 선택해야 합니다.

증가한 진동의 영향을 줄이려면 주변 온도가 너무 춥지 않고, 기계와 액세서리를 충분히 유지 보수하였고 작업물 크기가 이 기계에 적합인지 확인하십시오.

### 전원 켜기 및 끄기(그림 A)

on/off 트리거 스위치 ①에 있는 잠금 해제 스위치 ③은 톱이 켜지기 위해서는 뒤로 젖혀져야 합니다.

1. 공구를 작동하려면, 잠금 해제 스위치 ③을 확 젖히고 on/off 트리거 스위치 ①을 누릅니다.
2. 공구를 정지하려면, 트리거 스위치를 놓습니다. 잠금 해제 스위치가 자동으로 다시 작동됩니다.

### XPS™ LED 작업등 장치 사용(그림 A, R)

참고: 마이터 쏘가 전원 장치에 연결되어 있어야 합니다.

XPS™ LED 작업등 장치는 트리거를 작동하거나 톱 케이스 상단에 있는 XPS 버튼 ③5을 눌러서 작동됩니다.

나무 조각에 있는 기존의 연필선을 따라 절단하려면:

1. XPS 등이 켜진 상태에서, 작동 핸들 ③을 아래로 당겨서 톱날 ⑧이 나무 가까이에 가도록 합니다. 나무에 날의 그림자가 나타납니다.
2. 연필 선을 날의 그림자 가장자리에 맞춥니다. 연필선을 정확하게 맞추려면 마이터 또는 베벨 각도를 조정해야 할 수 있습니다.

톱에는 배터리 결합 기능이 장착되어 있습니다. 배터리가 사용 가능한 충전 수명이 다하거나 배터리가 너무 뜨거워지면 XPS™ 작업등이 깜박이기 시작합니다. 절단 작업을 계속하기 전에 배터리를 충전하십시오. 배터리 충전 지침은 **배터리 충전**을 참조하십시오.

### 몸과 손의 위치

마이터 톱을 조작할 때 올바르게 몸과 손의 위치를 잡으면 더 쉽고, 더 정확하게 더 안전하게 절단할 수 있습니다.

- 경고:**
- 절대 절단할 영역 가까이에 손을 두지 마십시오.
  - 손은 날로부터 150 mm 보다 더 가까이에 두지 마십시오.

## 기본적인 톱 절단

### 수직 스트레이트 교차 절단(그림 A, O)

참고: 30 mm 주축 구멍이 있는 216mm 톱날을 사용하여 원하는 절단 용량을 얻으십시오.

1. 마이터 래치 ⑬를 약간 풀고 이어서 위로 들어올립니다.
2. 마이터 래치 ⑬를 0° 위치에 맞추고, 마이터 래치를 잠급니다.
3. 펜스 ⑬에 맞대어 절단할 목재를 놓습니다.
4. 이동 핸들 ③을 잡고 가드 락 업 릴리즈 레버 ②를 눌러서 가드를 풉니다. 톱 헤드를 완전히 밖으로 펼칩니다.
5. 모터를 사용하려면 트리거 스위치 ①을 누릅니다.
6. 헤드를 눌러서 날이 목재를 뚫고 나아가고 플라스틱 절단판 ⑪이 들어가도록 합니다.
7. 헤드가 완전히 눌러져 있을 때, 천천히 뒤로 가로질러 밀어서 절단을 완료합니다.
8. 절단을 완료한 후, 스위치를 놓고 헤드가 상부 정지 위치로 돌아가기 전에 톱날이 완전히 정지할 때까지 기다리십시오.

**경고:**

- 하부 날 가드는 레버 ②를 놓으면 빨리 닫히도록 설계되었습니다. 톱이 1초 내에 닫히지 않을 경우 공인 DeWALT 수리점에서 수리를 받으십시오.

### 수직 마이터 교차 절단(그림 A, P)

1. 마이터 래치 ⑬를 꼭 집니다. 원하는 각도까지 암을 좌 또는 우로 이동합니다.
2. 마이터 래치는 자동으로 0°, 15°, 22.5°, 31.62°, 45° 및 50°에서 (왼쪽 및 오른쪽 양쪽 모두) 정확한 위치를 찾아냅니다. 중간 각도가 필요할 경우, 헤드를 꼭 잡고 마이터 래치를 고정시켜 잠급니다.
3. 항상 절단 전에 마이터 잠금 레버가 단단히 잠겼는지 확인하십시오.
4. 수직 스트레이트 교차 절단대로 진행합니다.

**경고:** 작은 자투리가 있는 나무 조각의 끝을 마이터링할 때는, 펜스에 대해 각도를 더 크게 한 상태에서 자투리가 날의 측면에 있도록 나무의 위치를 정하는데, 예:

- 좌측 마이터, 자투리를 우측으로
- 우측 마이터, 자투리를 좌측으로

### 베벨 교차 절단(그림 L, Q)

베벨 각도는 0°에서 48°까지 왼쪽으로 설정할 수 있습니다. 최대 45° 베벨은 0°와 45° 마이터 위치 우측 또는 좌측 사이에서 마이터 암 설정으로 절단할 수 있습니다.

1. 베벨 클램프 핸들 ②0을 풀고 원하는 대로 베벨을 설정합니다.
2. 필요할 경우 오버라이드 버튼 ③1을 설정합니다.
3. 헤드를 꼭 잡고 떨어지지 않도록 합니다.
4. 베벨 클램프 핸들 ②0을 단단히 조입니다.
5. 수직 스트레이트 교차 절단대로 진행합니다.

## 절단 품질

모든 절단의 매끄러움은 절단하고 있는 재료 등 다양한 변수에 달려 있습니다. 물딩 및 기타 정교한 작업을 위해 가장 매끄러운 절단물을 원할 경우, 날카로운(60 치 카바이드) 날과 더 느리고 고른 절단 속도가 원하는 결과를 만들 것입니다.

**경고:** 절단 중 재료가 천천히 움직이지 않도록 제자리에 단단히 고정하십시오. 항상 암을 울리기 전에 날이 끝까지 나오도록 하십시오. 나무의 작은 섬유 조직이 작업물의 뒤쪽에 쌓아지는 경우, 절단할 나무에 보호 테이프를 붙이십시오. 테이프를 통과해 톱질을 하고 끝난 후에는 테이프를 조심스럽게 제거합니다.

### 작업물 고정하기(그림 T)

**경고:** 항상 작업물 고정대를 사용하십시오.

최상의 결과를 위해 톱과 함께 사용하도록 만든 작업물 고정대 17를 사용하십시오.

#### 고정대를 설치하려면

1. 펜스 뒤의 구멍에 클램프를 끼웁니다. 고정대 17는 마이터 쏘 뒤쪽을 향해야 합니다. 고정대의 홈이 마이터 쏘의 베이스에 완전히 삽입되었는지 확인하십시오. 홈이 보이는 경우, 고정대가 안정된 것이 아닙니다.
2. 고정대를 마이터 쏘 앞쪽으로 180° 돌립니다.
3. 노브를 풀어서 고정대를 위아래로 조정한 다음 미세 조정 노브를 사용해서 작업물을 단단히 조입니다.

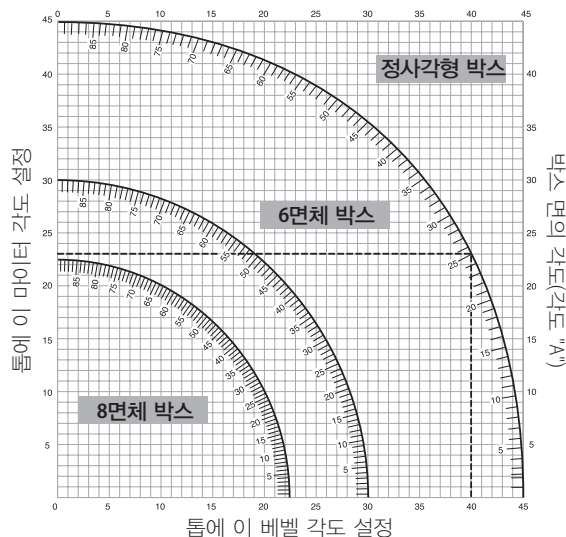
**참고:** 베벨 절단 시 고정대를 맨 아래 부분 오른쪽에 놓습니다. 항상 날의 경로를 확인할 수 있도록 절단을 끝내기 전에 예행 연습(전원 없이)을 하십시오. 고정대가 톱이나 가드의 동작을 간섭하지 않도록 하십시오.

### 컴파운드 마이터(그림 S)

이 절단은 마이터와 베벨 절단이 결합된 것입니다. 이는 그림 S와 같이 비스듬한 면이 있는 프레임 또는 상자를 만들 때 사용되는 절단 유형입니다.

**경고:** 절단 각도가 절단마다 다를 경우, 베벨 클램프 핸들과 마이터 클램프 노브가 확실하게 조여졌는지 확인하십시오. 이러한 것들은 베벨 또는 마이터에서 변경한 후 반드시 조여 있어야 합니다.

- 아래의 차트는 일반적인 컴파운드 마이터 절단을 위해 적합한 베벨 및 마이터 설정을 선택하는 데 도움을 줄 것입니다.
- 차트를 사용하려면 프로젝트의 원하는 각도 "A" (그림 S)를 선택하고 차트에서 해당하는 호의 각도를 찾습니다. 해당 지점에서 차트를 곧장 아래를 훑어 정확한 베벨 각도를 찾고 곧장 가로질러 정확한 마이터 각도를 찾습니다.



1. 톱을 미리 정한 각도에 놓고 몇 번 시험 절단을 해 봅니다.
2. 절단 조각을 서로 맞춰 보십시오.  
예: 25° 외각(각도 "A")이 있는 4면체 박스를 만들려면 (그림 S), 상부의 오른쪽 호를 사용합니다. 호 눈금에서 25°를 찾습니다. 톱의 마이터 각도(23°)를 설정하려면 양쪽 중 한쪽으로 수평 교차선을 따라갑니다. 마찬가지로, 톱에 베벨 각도(40°)를 설정하려면 위 또는 아래로 수직 교차선을 따라갑니다. 항상 나무의 몇 개 파편 조각을 절단해 보고 톱의 설정을 확인하십시오.

**경고:** 절대로 45° 좌측 또는 우측 마이터 상태에서 45° 베벨의 컴파운드 마이터 한계를 초과하지 마십시오.



### 집진(그림 A, G)

**경고:** 가능한 한, 먼지 배출에 관한 관련 규정에 따라 설계된 먼지 추출 장치를 연결하십시오.

관련 규정에 따라 설계된 집진 장치를 연결하십시오. 외부에 연결된 시스템의 공기 속도는 20m/s +/- 2 m/s가 되어야 합니다. 공구가 연결되었지만 작동되고 있지 않은 상태에서, 연결 지점에서 연결 관에서 측정될 속도.

**참고:** DWV9000 트위스트 락 킥 커넥터 48는 집진 장치에 연결하기 위한 선택 액세서리로 권장됩니다.

작업할 재료에 대해 해당 국가의 관련 규정을 준수하십시오. 진공청소기는 작업 중인 물질에 적합해야 합니다. 건강에 특히 해롭거나 암을 유발하는 건조한 먼지를 진공청소기를 청소할 때는, 특수한 진공청소기를 사용하십시오.

### 운반(그림 A, B)

**경고:** 마이터 쏘를 편리하게 운반할 수 있도록 베이스에 두 개의 손 자국 표시(32)가 있습니다. 절대로 가드를 사용해서 마이터 쏘를 들거나 운반하지 마십시오.

1. 톱을 이동하려면 베벨 및 마이터 위치를 0°로 설정합니다.
2. 톱 헤드를 완전히 뒤로 밀니다.
3. 하부 가드 락 업 릴리즈 레버 2(그림 A)를 누릅니다.
4. 헤드를 짝 누르고 내려 잠금 버튼 23을 누릅니다(그림 B).
5. 톱날을 정지 위치로 가져오고 트래버스 락 18을 누릅니다.

### 유지 보수

DeWALT 전동 공구는 최소한의 유지 보수로 장기간에 걸쳐 작업이 가능하도록 설계되어 있습니다. 만족스러운 연속 작동은 적절한 공구 관리와 정기적인 청소로 따라 그 성능이 달라질 수 있습니다.

**경고:** 심각한 신체 부상의 위험을 줄이려면 공구를 조정하거나 부착물 또는 액세서리를 제거/설치하기 전에 공구를 끄고 배터리 팩을 분리하십시오. 공구가 갑자기 작동하여 부상을 당할 수 있습니다.

**경고:** 톱날이 마모된 경우, 날카로운 새 날로 교체하십시오.



### 운행방법

전동 공구는 별도의 운행 작업이 필요하지 않습니다.



### 청소

사용하기 전에 상부 날 가드, 이동시킬 수 있는 하부 날 가드와 집진관을 주의 깊게 검사하여 올바르게 작동될지 알아보십시오. 나무조각, 먼지 또는 작업물 입자로 인하여 마이터쏘의 기능 중 무엇 하나라도 방해가 되지 않는지 확인하십시오.

작업을 파편이 톱날과 가드 사이에 걸려 있는 경우, 전원 장치에서 기계 연결을 차단하고 톱날 장착 단락에 제공된 설명을 따르십시오. 움직이지 않는 부품을 제거하고 톱날을 재조립합니다.

**경고:** 통풍구 속이나 주변에 먼지가 쌓여있는 것이 보이면 가능한 한 자주 건조한 공기를 이용하여 몸체에서 먼지를 불어내십시오. 이 절차를 수행할 때에는 승인된 눈 보호 장구 및 승인된 방진 마스크를 착용하십시오.

**경고:** 공구의 금속 이외 부품을 청소할 때는 용제 등의 강력한 화학약품을 절대 사용하지 마십시오. 그렇지 않으면 이러한 부분에 사용된 재료가 약해질 수 있습니다. 황갈에 물과 순한 비누를 적셔 닦아주십시오. 공구 내부에 액체를 넣거나 공구 부품을 액체에 담그는 행동은 절대 금물입니다.

**경고:** 부상의 위험을 줄이려면, 정기적으로 테이블 윗면을 청소하십시오.

**경고:** 부상의 위험을 줄이려면, 정기적으로 집진 장치를 청소하십시오.

## 선택 액세서리


**경고:** DeWALT에서 제공되지 않은 액세서리는 이 제품에 테스트되지 않았으므로, 그러한 액세서리를 이 공구와 함께 사용하면 위험할 수 있습니다. 신체 부상의 위험을 줄이려면 본 제품에 알맞은 액세서리만 사용해야 합니다.

## 사용 가능한 톱날 범위(권장 날)

날의 유형	날 크기 (직경 x 보어 x 치 개수)	사용법
DT4310 시리즈 40	216x30x24	일반 용도, 나무 및 플라스틱 리핑 및 교차 절단용
DT4286 시리즈 40	216x30x80	알루미늄용 TCG
DT4320 시리즈 60	216x30x48	인공 및 천연 목재의 미세 절단용 ATB
DT4350 시리즈 60	216x30x60	인공 및 천연 목재의 초미세 절단용 TCG
DT99568-QZ	216x30x24	일반 용도, 리핑 및 교차 절단용 24T Flexvolt 날
DT99569-QZ	216x30x36	미세 절단용 36T Flexvolt 날
DT99570-QZ	216x30x60	초미세 절단용 60T Flexvolt 날

해당 액세서리에 대한 자세한 정보는 판매 대리점으로 문의하십시오.

## 환경 보호

 분리 수거. 이 기호가 표시된 제품과 배터리를 일반 가정용 쓰레기와 함께 처리하면 안 됩니다.

제품과 배터리에는 재활용되거나 재활용되고 고철 자원에 대한 수요를 줄일 수 있는 자재가 포함되어 있습니다. 전기 제품과 배터리는 지역 규정에 따라 재활용하십시오. 자세한 내용은 [www.2helpU.com](http://www.2helpU.com)에서 찾아 볼 수 있습니다.

## 충전용 배터리 팩

이전에 쉽게 수행했던 작업에 대해 충분한 힘을 발휘하지 못하는 배터리 팩은 재충전해야 합니다. 배터리 수명이 다하면 환경 보호 차원에서 배터리 팩을 폐기하십시오.

- 배터리 팩을 완전히 사용하고 난 후 공구에서 분리하십시오.
- 리튬이온 셀은 재활용할 수 있습니다. 이 전지를 판매점이나 지역 재활용 센터로 가져가십시오. 수집된 배터리 팩은 재활용되거나 적절히 폐기됩니다.

