

**DEWALT**®

**XR**®



Fig. A

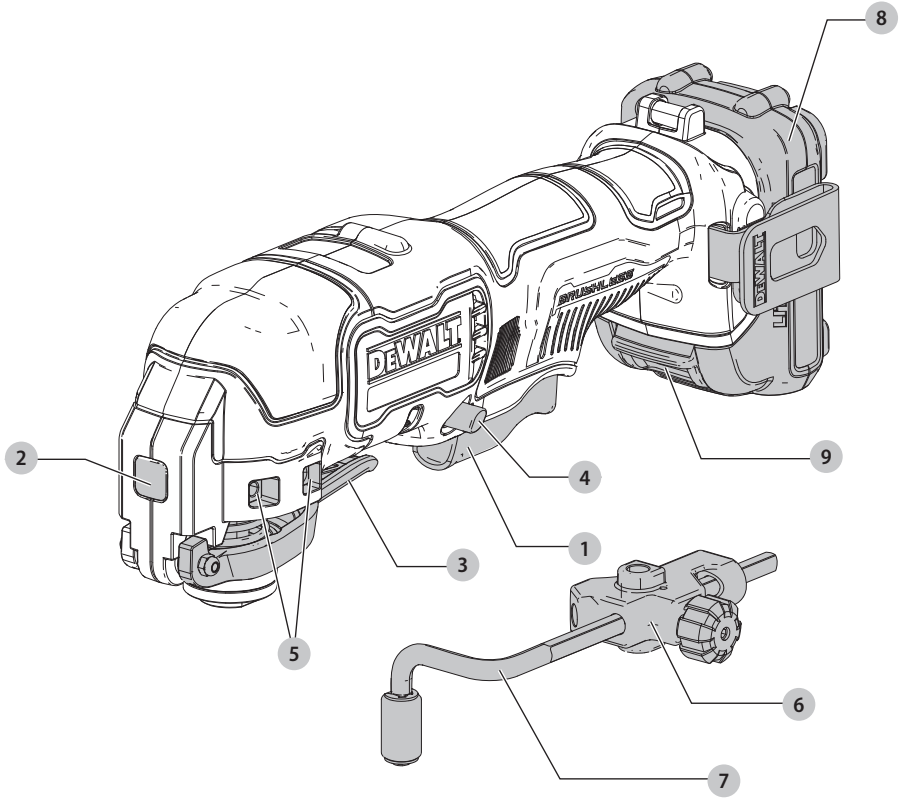


Fig. B

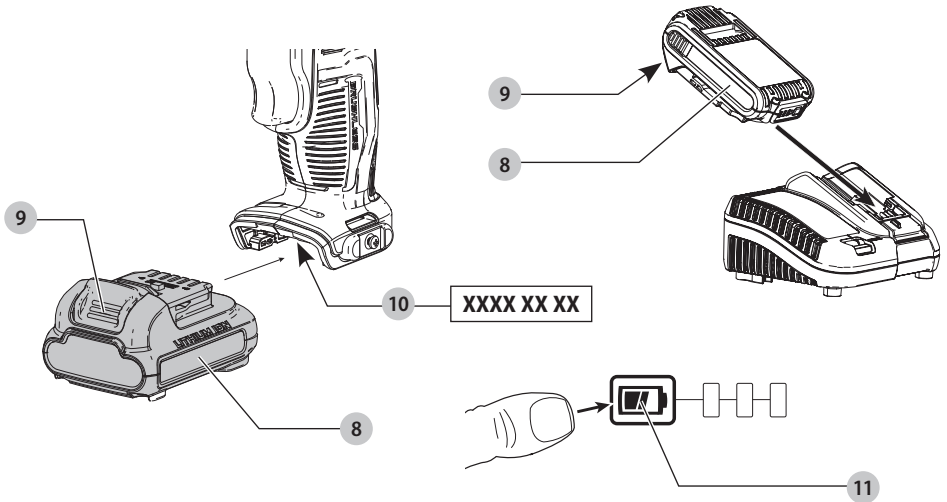


Fig. C

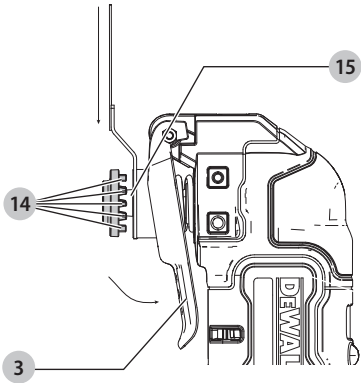


Fig. D

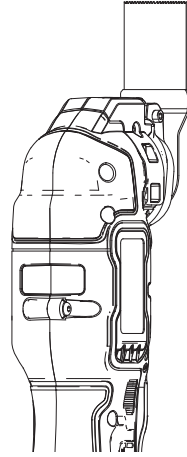


Fig. E

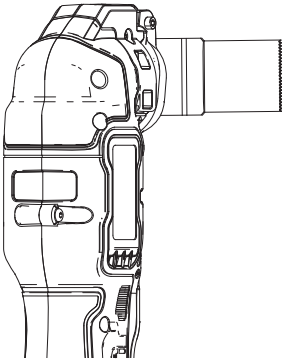


Fig. F

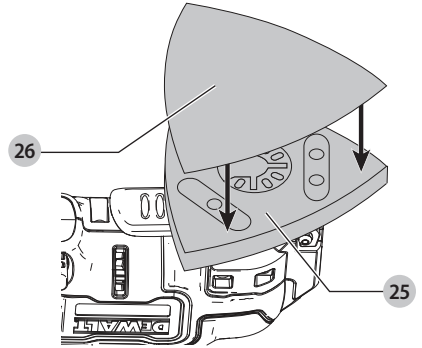


Fig. G

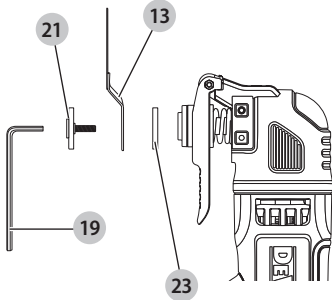


Fig. H

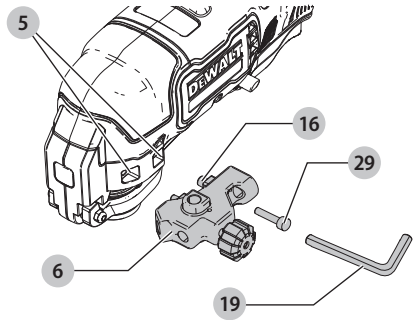


Fig. I

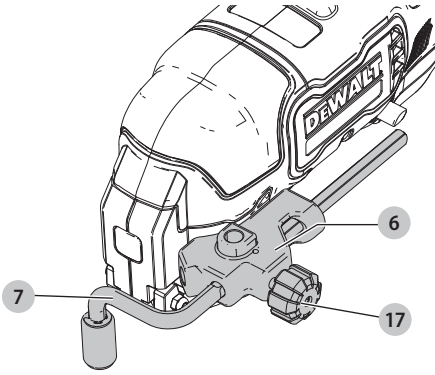


Fig. J

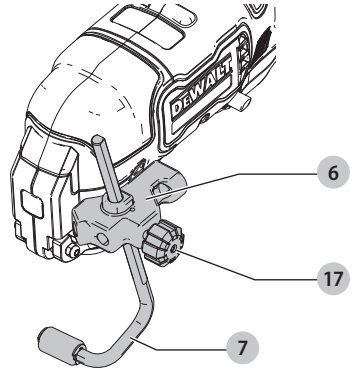


Fig. K

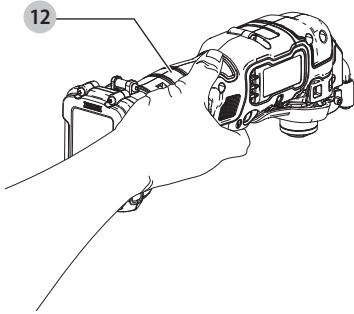


Fig. L

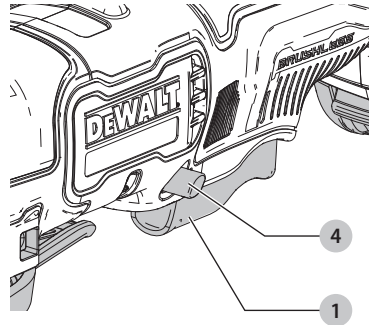


Fig. M

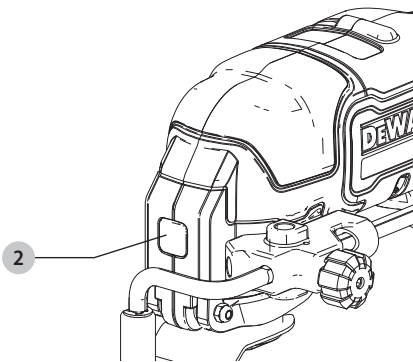


Fig. N

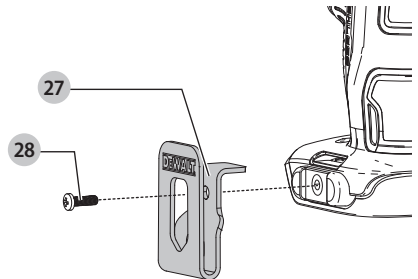


Fig. O

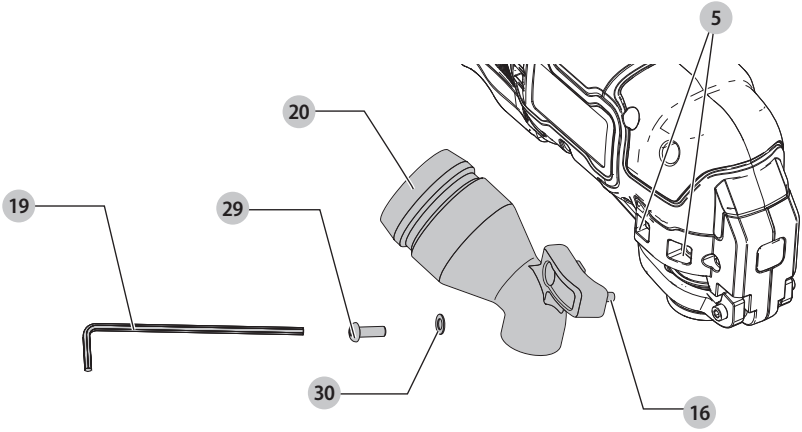


Fig. P

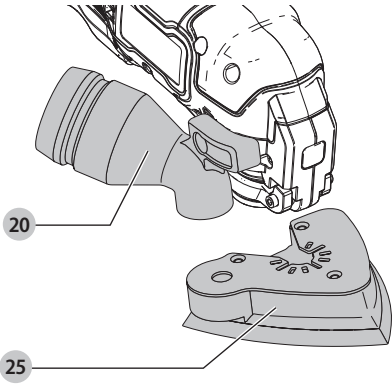
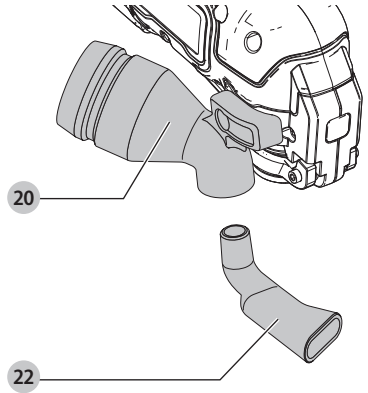


Fig. Q



# CORDLESS OSCILLATING MULTI-TOOL

## DCS353

### Congratulations!

You have chosen a DEWALT tool. Years of experience, thorough product development and innovation make DEWALT one of the most reliable partners for professional power tool users.

### Technical Data

|   |                   | DCS353  |
|---|-------------------|---------|
| Voltage   | $V_{DC}$          | 12      |
| Type  |                   | 1       |
| Battery type  |                   | Li-Ion  |
| Oscillating frequency   | $\text{min}^{-1}$ | 0–18000 |
| Oscillating angle   |                   | 1.6°    |
| Weight (without battery pack)   | kg                | 0.84    |
| Noise values and/or vibration values (triax vector sum) according to EN62841-2-4: |                   |         |
| $L_{PA}$ (emission sound pressure level)  | dB(A)             | 89      |
| $L_{WA}$ (sound power level)  | dB(A)             | 97      |
| K (uncertainty for the given sound level)   | dB(A)             | 3       |
| Vibration emission value $a_{H1} =$   |                   |         |
|   | $\text{m/s}^2$    | 9.9     |
| Uncertainty K =   | $\text{m/s}^2$    | 1.5     |

The vibration and/or noise emission level given in this information sheet has been measured in accordance with a standardised test given in EN62841 and may be used to compare one tool with another. It may be used for a preliminary assessment of exposure.

**! WARNING:** *The declared vibration and/or noise emission level represents the main applications of the tool. However, if the tool is used for different applications, with different accessories or is poorly maintained, the vibration and/or noise emission may differ. This may significantly increase the exposure level over the total working period.*

*An estimation of the level of exposure to vibration and/or noise should also take into account the times when the tool is switched off or when it is running but not actually doing the job. This may significantly reduce the exposure level over the total working period.*

*Identify additional safety measures to protect the operator from the effects of vibration and/or noise such as: maintain the tool and the accessories, keep the hands warm (relevant for vibration), organisation of work patterns.*

### EC-Declaration of Conformity

#### Machinery Directive



#### Cordless Oscillating Multi-Tool DCS353

DEWALT declares that these products described under **Technical Data** are in compliance with:

2006/42/EC, EN 62841-1:2015 + A11:2022, EN 62841-2-4:2014

These products also comply with Directive 2014/30/EU and 2011/65/EU. For more information, please contact DEWALT at the following address or refer to the back of the manual.

The undersigned is responsible for compilation of the technical file and makes this declaration on behalf of DEWALT.

Markus Rompel  
Vice-President Engineering, PTE-Europe  
DEWALT, Richard-Klinger-Straße 11,  
65510, Idstein, Germany  
05.06.2024



**WARNING:** *To reduce the risk of injury, read the instruction manual.*

### Definitions: Safety Guidelines

The definitions below describe the level of severity for each signal word. Please read the manual and pay attention to these symbols.



**DANGER:** *Indicates an imminently hazardous situation which, if not avoided, will result in death or serious injury.*



**WARNING:** *Indicates a potentially hazardous situation which, if not avoided, could result in death or serious injury.*



**CAUTION:** *Indicates a potentially hazardous situation which, if not avoided, may result in minor or moderate injury.*

**NOTICE:** *Indicates a practice not related to personal injury which, if not avoided, may result in property damage.*



Denotes risk of electric shock.



Denotes risk of fire.

| Batteries |                 |     |           | Chargers/Charge Times (Minutes)** |        |        |                    |        |                    |        |        |        |
|-----------|-----------------|-----|-----------|-----------------------------------|--------|--------|--------------------|--------|--------------------|--------|--------|--------|
| Cat #     | V <sub>DC</sub> | Ah  | Weight kg | DCB104                            | DCB107 | DCB110 | DCB112/<br>DCB1102 | DCB113 | DCB115/<br>DCB1104 | DCB116 | DCB132 | DCB119 |
| DCB122    | 12              | 2.0 | 0.22      | 30                                | 90     | 90     | 60                 | 50     | 30                 | 30     | 30     | 60     |
| DCB124/G  | 12              | 3.0 | 0.25      | 45                                | 140    | 140    | 90                 | 70     | 45                 | 45     | 45     | 90     |
| DCB125    | 12              | 1.3 | 0.20      | 22                                | 60     | 60     | 40                 | 30     | 22                 | 22     | 22     | 40     |
| DCB126/G  | 12              | 5.0 | 0.46      | 75                                | 240    | 240    | 150                | 120    | 75                 | 75     | 75     | 150    |
| DCB127    | 12              | 2.0 | 0.22      | 30                                | 90     | 90     | 60                 | 50     | 30                 | 30     | 30     | 60     |

\*\*Battery charge times matrix provided for guidance only; charge times will vary depending on temperature and condition of batteries.

## GENERAL POWER TOOL SAFETY WARNINGS



**WARNING:** Read all safety warnings, instructions, illustrations and specifications provided with this power tool. Failure to follow all instructions listed below may result in electric shock, fire and/or serious injury.

### SAVE ALL WARNINGS AND INSTRUCTIONS FOR FUTURE REFERENCE

The term "power tool" in the warnings refers to your mains-operated (corded) power tool or battery-operated (cordless) power tool.

#### 1) Work Area Safety

- Keep work area clean and well lit.** Cluttered or dark areas invite accidents.
- Do not operate power tools in explosive atmospheres, such as in the presence of flammable liquids, gases or dust.** Power tools create sparks which may ignite the dust or fumes.
- Keep children and bystanders away while operating a power tool.** Distractions can cause you to lose control.

#### 2) Electrical Safety

- Power tool plugs must match the outlet. Never modify the plug in any way. Do not use any adapter plugs with earthed (grounded) power tools.** Unmodified plugs and matching outlets will reduce risk of electric shock.
- Avoid body contact with earthed or grounded surfaces, such as pipes, radiators, ranges and refrigerators.** There is an increased risk of electric shock if your body is earthed or grounded.
- Do not expose power tools to rain or wet conditions.** Water entering a power tool will increase the risk of electric shock.
- Do not abuse the cord. Never use the cord for carrying, pulling or unplugging the power tool. Keep cord away from heat, oil, sharp edges or moving parts.** Damaged or entangled cords increase the risk of electric shock.
- When operating a power tool outdoors, use an extension cord suitable for outdoor use.** Use of a cord suitable for outdoor use reduces the risk of electric shock.
- If operating a power tool in a damp location is unavoidable, use a residual current device (RCD) protected supply.** Use of an RCD reduces the risk of electric shock.

#### 3) Personal Safety

- Stay alert, watch what you are doing and use common sense when operating a power tool. Do not use a power tool while you are tired or under the influence of drugs, alcohol or medication.** A moment of inattention while operating power tools may result in serious personal injury.
- Use personal protective equipment. Always wear eye protection.** Protective equipment such as a dust mask, non-skid safety shoes, hard hat or hearing protection used for appropriate conditions will reduce personal injuries.
- Prevent unintentional starting. Ensure the switch is in the off position before connecting to power source and/or battery pack, picking up or carrying the tool.** Carrying power tools with your finger on the switch or energising power tools that have the switch on invites accidents.
- Remove any adjusting key or wrench before turning the power tool on.** A wrench or a key left attached to a rotating part of the power tool may result in personal injury.
- Do not overreach. Keep proper footing and balance at all times.** This enables better control of the power tool in unexpected situations.
- Dress properly. Do not wear loose clothing or jewellery. Keep your hair and clothing away from moving parts.** Loose clothes, jewellery or long hair can be caught in moving parts.
- If devices are provided for the connection of dust extraction and collection facilities, ensure these are connected and properly used.** Use of dust collection can reduce dust-related hazards.
- Do not let familiarity gained from frequent use of tools allow you to become complacent and ignore tool safety principles.** A careless action can cause severe injury within a fraction of a second.

#### 4) Power Tool Use and Care

- Do not force the power tool. Use the correct power tool for your application.** The correct power tool will do the job better and safer at the rate for which it was designed.
- Do not use the power tool if the switch does not turn it on and off.** Any power tool that cannot be controlled with the switch is dangerous and must be repaired.



- c) **Disconnect the plug from the power source and/ or remove the battery pack, if detachable, from the power tool before making any adjustments, changing accessories, or storing power tools.** Such preventive safety measures reduce the risk of starting the power tool accidentally.
- d) **Store idle power tools out of the reach of children and do not allow persons unfamiliar with the power tool or these instructions to operate the power tool.** Power tools are dangerous in the hands of untrained users.
- e) **Maintain power tools and accessories. Check for misalignment or binding of moving parts, breakage of parts and any other condition that may affect the power tool's operation. If damaged, have the power tool repaired before use.** Many accidents are caused by poorly maintained power tools.
- f) **Keep cutting tools sharp and clean.** Properly maintained cutting tools with sharp cutting edges are less likely to bind and are easier to control.
- g) **Use the power tool, accessories and tool bits, etc. in accordance with these instructions, taking into account the working conditions and the work to be performed.** Use of the power tool for operations different from those intended could result in a hazardous situation.
- h) **Keep handles and grasping surfaces dry, clean and free from oil and grease.** Slippery handles and grasping surfaces do not allow for safe handling and control of the tool in unexpected situations.

## 5) Battery Tool Use and Care

- a) **Recharge only with the charger specified by the manufacturer.** A charger that is suitable for one type of battery pack may create a risk of fire when used with another battery pack.
- b) **Use power tools only with specifically designated battery packs.** Use of any other battery packs may create a risk of injury and fire.
- c) **When battery pack is not in use, keep it away from other metal objects, like paper clips, coins, keys, nails, screws or other small metal objects, that can make a connection from one terminal to another.** Shorting the battery terminals together may cause burns or a fire.
- d) **Under abusive conditions, liquid may be ejected from the battery; avoid contact. If contact accidentally occurs, flush with water. If liquid contacts eyes, additionally seek medical help.** Liquid ejected from the battery may cause irritation or burns.
- e) **Do not use a battery pack or tool that is damaged or modified.** Damaged or modified batteries may exhibit unpredictable behaviour resulting in fire, explosion or risk of injury.
- f) **Do not expose a battery pack or tool to fire or excessive temperature.** Exposure to fire or temperature above 130 °C may cause explosion.
- g) **Follow all charging instructions and do not charge the battery pack or tool outside the temperature range specified in the instructions.** Charging

improperly or at temperatures outside the specified range may damage the battery and increase the risk of fire.

## 6) Service

- a) **Have your power tool serviced by a qualified repair person using only identical replacement parts.** This will ensure that the safety of the power tool is maintained.
- b) **Never service damaged battery packs.** Service of battery packs should only be performed by the manufacturer or authorised service providers.

## Additional Safety Rules for Oscillating Multi-Tool



**WARNING:** Take special care when sanding some woods (e.g. beech, oak) and metal which may produce toxic dust. Wear a dust mask specifically designed for protection against toxic dust and fumes and ensure that persons within or entering the work area are also protected.



**WARNING:** Use this tool in a well-ventilated area when sanding ferrous metals. Do not operate the tool near flammable liquids, gases or dust. Sparks or hot particles from sanding or arcing motor brushes may ignite combustible materials.

## Sanding Paint



**WARNING:** Observe the applicable regulations for sanding paint. Pay special attention to the following:

- Whenever possible, use a vacuum extractor for dust collection.
- Take special care when sanding paint which is possibly lead based:
  - Do not let children or pregnant women enter the work area.
  - All persons entering the work area should wear a mask specially designed for protection against lead paint dust and fumes.
  - Do not eat, drink or smoke in the work area.
- Dispose of dust particles and any other removal debris safely.
- **Hold the power tool by insulated gripping surfaces when performing an operation where the cutting tool may contact hidden wiring.** Contact with a "live" wire will make exposed metal parts of the tool "live" and shock the operator.
- **Use clamps or another practical way to secure and support the workpiece to a stable platform.** Holding the work by hand or against your body leaves it unstable and may lead to loss of control.

## Residual Risks

In spite of the application of the relevant safety regulations and the implementation of safety devices, certain residual risks cannot be avoided. These are:

- Impairment of hearing.
- Risk of personal injury due to flying particles.
- Risk of burns due to accessories becoming hot during operation.
- Risk of personal injury due to prolonged use.

**SAVE THESE INSTRUCTIONS**

## Chargers

DeWALT chargers require no adjustment and are designed to be as easy as possible to operate.

### Electrical Safety

The electric motor has been designed for one voltage only. Always check that the battery pack voltage corresponds to the voltage on the rating plate. Also make sure that the voltage of your charger corresponds to that of your mains.



Your DeWALT charger is double insulated in accordance with EN62841; therefore, no earth wire is required.

If the supply cord is damaged, it must be replaced only by DeWALT or an authorised service organisation.

### Mains Plug Replacement (U.K. & Ireland Only)

If a new mains plug needs to be fitted:

- Safely dispose of the old plug.
- Connect the brown lead to the live terminal in the plug.
- Connect the blue lead to the neutral terminal.



**WARNING:** No connection is to be made to the earth terminal.

Follow the fitting instructions supplied with good quality plugs. Recommended fuse: 3 A.

### Using an Extension Cable

An extension cord should not be used unless absolutely necessary. Use an approved extension cable suitable for the power input of your charger (see **Technical Data**). The minimum conductor size is 1 mm<sup>2</sup>; the maximum length is 30 m.

When using a cable reel, always unwind the cable completely.

## Important Safety Instructions for All Battery Chargers

**SAVE THESE INSTRUCTIONS:** This manual contains important safety and operating instructions for compatible battery chargers (refer to **Technical Data**).

- Before using charger, read all instructions and cautionary markings on charger, battery pack, and product using battery pack.



**WARNING:** Shock hazard. Do not allow any liquid to get inside charger. Electric shock may result.



**WARNING:** We recommend the use of a residual current device with a residual current rating of 30mA or less.



**CAUTION:** Burn hazard. To reduce the risk of injury, charge only DeWALT rechargeable batteries. Other types of batteries may burst, causing personal injury and damage.



**CAUTION:** Children should be supervised to ensure that they do not play with the appliance.

**NOTICE:** Under certain conditions, with the charger plugged into the power supply, the exposed charging contacts inside the charger can be shorted by foreign material. Foreign materials of a conductive nature such as, but not limited to, steel wool, aluminum foil or any buildup of metallic particles should be kept away from charger cavities. Always unplug the charger from the power supply when there is no battery pack in the cavity. Unplug charger before attempting to clean.

- **DO NOT attempt to charge the battery pack with any chargers other than the ones in this manual.** The charger and battery pack are specifically designed to work together.
- **These chargers are not intended for any uses other than charging DeWALT rechargeable batteries.** Any other uses may result in risk of fire, electric shock or electrocution.
- **Do not expose charger to rain or snow.**
- **Pull by plug rather than cord when disconnecting charger.** This will reduce risk of damage to electric plug and cord.
- **Make sure that cord is located so that it will not be stepped on, tripped over, or otherwise subjected to damage or stress.**
- **Do not use an extension cord unless it is absolutely necessary.** Use of improper extension cord could result in risk of fire, electric shock, or electrocution.
- **Do not place any object on top of charger or place the charger on a soft surface that might block the ventilation slots and result in excessive internal heat.** Place the charger in a position away from any heat source. The charger is ventilated through slots in the top and the bottom of the housing.
- **Do not operate charger with damaged cord or plug—** have them replaced immediately.
- **Do not operate charger if it has received a sharp blow, been dropped, or otherwise damaged in any way.** Take it to an authorised service centre.
- **Do not disassemble charger; take it to an authorised service centre when service or repair is required.** Incorrect reassembly may result in a risk of electric shock, electrocution or fire.
- **In case of damaged power supply cord, the supply cord must be replaced immediately by the manufacturer, its service agent or similar qualified person to prevent any hazard.**
- **Disconnect the charger from the outlet before attempting any cleaning. This will reduce the risk of electric shock.** Removing the battery pack will not reduce this risk.
- **NEVER attempt to connect two chargers together.**
- **The charger is designed to operate on standard 230V household electrical power. Do not attempt to use it on any other voltage.** This does not apply to the vehicular charger.













### Charging a Battery (Fig. B)

**NOTE:** To ensure maximum performance and life of lithium-ion battery packs, charge the battery pack fully before first use.

1. Plug the charger into an appropriate outlet before inserting battery pack.
2. Insert the battery pack **8** into the charger, making sure the battery pack is fully seated in the charger. The red (charging) light will blink repeatedly indicating that the charging process has started.
3. The Stage 1 charging blink indicator represents the charge process that charges the majority of the battery's capacity. Stage 2 charging blink indicator represents the remainder, or top off charge process, for the battery to reach full capacity.
4. The completion of charge for Stage 1 or Stage 2 will be indicated by the stage's light remaining ON continuously. The battery pack is fully charged when both Stage 1 and Stage 2 charging lights remain ON continuously, and it may be removed and used at this time or left in the charger.

**NOTE:** To remove the battery pack, some chargers require the battery pack release button  to be pressed.

Refer to the indicators below for the charge status of the battery pack.

| Indicators   |                      |   |   |
|--|----------------------|---|---|
|  | Stage 1 Charging     |  |  |
|  | Stage 2 Charging     |  |  |
|  | Fully Charged        |  |  |
|  | Hot/Cold Pack Delay* |  |  |

\*The red light will continue to blink, but a yellow indicator light will be illuminated during this operation. Once the battery pack has reached an appropriate temperature, the yellow light will turn off and the charger will resume the charging procedure.

The compatible charger(s) will not charge a faulty battery pack. The charger will indicate faulty battery by refusing to light.

**NOTE:** This could also mean a problem with a charger.

If the charger indicates a problem, take the charger and battery pack to be tested at an authorised service centre.

### Hot/Cold Pack Delay

When the charger detects a battery pack that is too hot or too cold, it automatically starts a Hot/Cold Pack Delay, suspending charging until the battery pack has reached an appropriate temperature. The charger then automatically switches to the pack charging mode. This feature ensures maximum battery pack life.

A cold battery pack will charge at a slower rate than a warm battery pack. The battery pack will charge at that slower rate throughout the entire charging cycle and will not return to maximum charge rate even if the battery pack warms.

The DCB118 charger is equipped with an internal fan designed to cool the battery pack. The fan will turn on automatically when the battery pack needs to be cooled. Never operate the charger if the fan does not operate properly or if ventilation slots are blocked. Do not permit foreign objects to enter the interior of the charger.

### Electronic Protection System

XR Li-Ion tools are designed with an Electronic Protection System that will protect the battery pack against overloading, overheating or deep discharge.

The tool will automatically turn off if the Electronic Protection System engages. If this occurs, place the lithium-ion battery pack on the charger until it is fully charged.

### Wall Mounting

These chargers are designed to be wall mountable or to sit upright on a table or work surface. If wall mounting, locate the charger within reach of an electrical outlet, and away from a corner or other obstructions which may impede air flow. Use the back of the charger as a template for the location of the mounting screws on the wall. Mount the charger securely using drywall screws (purchased separately) at least 25.4 mm long with a screw head diameter of 7–9 mm, screwed into wood to an optimal depth leaving approximately 5.5 mm of the screw

exposed. Align the slots on the back of the charger with the exposed screws and fully engage them in the slots.

### Charger Cleaning Instructions



**WARNING: Shock hazard. Disconnect the charger from the AC outlet before cleaning.** Dirt and grease may be removed from the exterior of the charger using a cloth or soft non-metallic brush. Do not use water or any cleaning solutions. Never let any liquid get inside the tool; never immerse any part of the tool into a liquid.

## Battery Packs

### Important Safety Instructions for All Battery Packs

When ordering replacement battery packs, be sure to include catalogue number and voltage.

The battery pack is not fully charged out of the carton. Before using the battery pack and charger, read the safety instructions below. Then follow charging procedures outlined.

#### READ ALL INSTRUCTIONS

- **Do not charge or use battery in explosive atmospheres, such as in the presence of flammable liquids, gases or dust.** Inserting or removing the battery from the charger may ignite the dust or fumes.
- **Never force battery pack into charger. Do not modify battery pack in any way to fit into a non-compatible charger as battery pack may rupture, causing serious personal injury.**
- Charge the battery packs only in DEWALT chargers.
- **DO NOT splash or immerse in water or other liquids.**
- **Do not store or use the tool and battery pack in locations where the temperature may fall below 4 °C (39.2 °F) (such as outside sheds or metal buildings in winter), or reach or exceed 40 °C (104 °F) (such as outside sheds or metal buildings in summer).**
- **Do not incinerate the battery pack even if it is severely damaged or is completely worn out.** The battery pack can explode in a fire. Toxic fumes and materials are created when lithium-ion battery packs are burned.
- **If battery contents come into contact with the skin, immediately wash area with mild soap and water.** If battery liquid gets into the eye, rinse water over the open eye for 15 minutes or until irritation ceases. If medical attention is needed, the battery electrolyte is composed of a mixture of liquid organic carbonates and lithium salts.
- **Contents of opened battery cells may cause respiratory irritation.** Provide fresh air. If symptoms persist, seek medical attention.



**WARNING: Burn hazard.** Battery liquid may be flammable if exposed to spark or flame.



**WARNING: Never attempt to open the battery pack for any reason.** If battery pack case is cracked or damaged, do not insert into charger. Do not crush, drop or damage battery pack. Do not use a battery pack or charger that has received a sharp blow, been dropped, run over or damaged in any way (i.e., pierced with a nail, hit with a hammer, stepped on). Electric shock or electrocution

may result. Damaged battery packs should be returned to service centre for recycling.



**WARNING: Fire hazard. Do not store or carry the battery pack so that metal objects can contact exposed battery terminals.** For example, do not place the battery pack in aprons, pockets, tool boxes, product kit boxes, drawers, etc., with loose nails, screws, keys, etc.



**CAUTION: When not in use, place tool on its side on a stable surface where it will not cause a tripping or falling hazard.** Some tools with large battery packs will stand upright on the battery pack but may be easily knocked over.

## Transportation



**WARNING: Fire hazard.** Transporting batteries can possibly cause fire if the battery terminals inadvertently come into contact with conductive materials. When transporting batteries, make sure that the battery terminals are protected and well-insulated from materials that could contact them and cause a short circuit. **NOTE:** Lithium-ion batteries should not be put in checked baggage.

DEWALT batteries comply with all applicable shipping regulations as prescribed by industry and legal standards, which include UN Recommendations on the Transport of Dangerous Goods; International Air Transport Association (IATA) Dangerous Goods Regulations; International Maritime Dangerous Goods (IMDG) Regulations; and the European Agreement Concerning The International Carriage of Dangerous Goods by Road (ADR). Lithium-ion cells and batteries have been tested to section 38.3 of the UN Recommendations on the Transport of Dangerous Goods Manual of Tests and Criteria.

In most instances, shipping a DEWALT battery pack will be excepted from being classified as a fully regulated Class 9 Hazardous Material. In general, only shipments containing a lithium-ion battery with an energy rating greater than 100 Watt Hours (Wh) will require being shipped as fully regulated Class 9. All lithium-ion batteries have the Wh rating marked on the pack. Furthermore, due to regulation complexities, DEWALT does not recommend air shipping lithium-ion battery packs alone regardless of Wh rating. Shipments of tools with batteries (combo kits) can be air shipped as excepted if the Wh rating of the battery pack is no greater than 100 Wh.

Regardless of whether a shipment is considered excepted or fully regulated, it is the shipper's responsibility to consult the latest regulations for packaging, labeling/marketing and documentation requirements.

The information provided in this section of the manual is provided in good faith and believed to be accurate at the time the document was created. However, no warranty, expressed or implied, is given. It is the buyer's responsibility to ensure that its activities comply with the applicable regulations.

## Storage Recommendations

1. The best storage place is one that is cool and dry away from direct sunlight and excessive heat or cold. For optimum battery performance and life, store battery packs at room temperature when not in use.

2. For long storage, it is recommended to store a fully charged battery pack in a cool, dry place out of the charger for optimal results.

**NOTE:** Battery packs should not be stored completely depleted of charge. The battery pack will need to be recharged before use.

## Labels on Charger and Battery Pack

In addition to the pictographs used in this manual, the labels on the charger and the battery pack may show the following pictographs:



Read instruction manual before use.



Refer to **Technical Data** for charging time.



Do not probe with conductive objects.



Do not charge damaged battery packs.



Do not expose to water.



Have defective cords replaced immediately.



Charge only between 4 °C and 40 °C.



Only for indoor use.



Discard the battery pack with due care for the environment.



Charge battery packs only with designated DEWALT chargers. Charging battery packs other than the designated DEWALT batteries with a DEWALT charger may make them burst or lead to other dangerous situations.



Do not incinerate the battery pack.

## Battery Type

These battery packs may be used: DCB122, DCB124, DCB124G, DCB125, DCB126, DCB126G, DCB127. Refer to **Technical Data** for more information.

## Markings on Tool

The following pictographs may be shown on the tool:



Read instruction manual before use.



Wear ear protection.



Wear eye protection.



Visible radiation. Do not stare into light.

## Date Code Position (Fig. B)

The production date code **10** consists of a 4-digit year followed by a 2-digit week and is extended by a 2-digit factory code.

## Description (Fig. A)



**WARNING:** Never modify the power tool or any part of it. Damage or personal injury could result.

- 1 Variable speed trigger
- 2 LED Worklight
- 3 Accessory clamp lever
- 4 Lock on/off button
- 5 Accessory side mount slots
- 6 Cut guide block
- 7 Cut guide arm
- 8 Battery pack
- 9 Battery release button

## Intended Use

This oscillating multi-tool is designed for professional detail sanding, plunge cutting, flush cutting, removal of excess materials and surface preparation applications.

**DO NOT** use under wet conditions or in the presence of flammable liquids or gases.

This oscillating multi-tool is a professional power tool.

**DO NOT** let children come into contact with the tool.

Supervision is required when inexperienced operators use this tool.

- **Young children and the infirm.** This appliance is not intended for use by young children or infirm persons without supervision.
- This product is not intended for use by persons (including children) suffering from diminished physical, sensory or mental abilities; lack of experience, knowledge or skills unless they are supervised by a person responsible for their safety. Children should never be left alone with this product.

## ASSEMBLY AND ADJUSTMENTS



**WARNING:** To reduce the risk of serious personal injury, turn tool off and disconnect battery pack before making any adjustments or removing/installing attachments or accessories. An accidental start-up can cause injury.



**WARNING:** Use only DEWALT batteries and chargers.



**WARNING:** Risk of lacerations or burns. Do not touch the sharp edges of accessories at any time. Do not touch workpiece or blade immediately after operating the tool. They can become very hot. Handle carefully. Always allow accessories and workpiece to cool before handling.

## Inserting and Removing the Battery Pack from the Tool (Fig. B)

**NOTE:** Make sure your battery pack **8** is fully charged.

### To Install the Battery Pack into the Tool Handle

1. Align the battery pack with the rails inside the tool's handle (Fig. B).
2. Slide it into the handle until the battery pack is firmly seated in the tool and ensure that you hear the lock snap into place.

### To Remove the Battery Pack from the Tool

1. Press the battery release button **9** and firmly pull the battery pack out of the tool handle.
2. Insert battery pack into the charger.

## Fuel Gauge Battery Packs (Fig. B)

Some DEWALT battery packs include a fuel gauge, which consists of three green LED lights that indicate the level of charge remaining in the battery pack.

To actuate the fuel gauge, press and hold the fuel gauge button **11**. A combination of the three green LED lights will illuminate, designating the level of charge left. When the level of charge in the battery is below the usable limit, the fuel gauge will not illuminate and the battery will need to be recharged.

**NOTE:** The fuel gauge is only an indication of the charge left on the battery pack. It does not indicate tool functionality and is subject to variation based on product components, temperature and end-user application.

## Installing/Removing Accessories (Fig. C–E)

The tool features an exclusive Tool-Free System for faster accessory changes and adjustments without the need for wrenches or hex keys like other oscillating tool systems.

1. Grasp the tool and squeeze the Tool-Free accessory clamp's **3** lever.
2. Clean any residual debris from the tool shaft **15** and the Tool-Free accessory clamp holder.
3. Slide the accessory between the shaft and the accessory holder making sure the accessory engages all of the pins **14** on the holder and is flush with the shaft.
4. Release the Tool-Free accessory clamp lever.
5. Some accessories, such as scrapers and blades can be mounted at an angle if required.

## Attaching Accessories Using the Universal Adapter (Fig. G)



**CAUTION:** To avoid injury, do not use any accessory for an application where the adaptor may fail to hold the accessory.



**CAUTION:** Read and follow all manufacturers' safety warnings for any accessories used with this tool.



**CAUTION:** To avoid injury, ensure adaptor and accessory are securely tightened.

Non-DEWALT accessories can be attached using the universal adaptor.



- Place the washer **23** on the tool.
- Place accessory **13** on to washer.
- Tighten and secure adaptor nut **21** using hex wrench **19**.

### Attaching the Cut Guide (Fig. H)

The depth/cut guide allows you to precisely cut material at a specified depth and more accurately track a marked cut line.

- Attach the cut guide block **6** by inserting the accessory tabs **16** on the guide into the accessory side mount slots **5** on the main body of the tool.

**NOTE:** The depth/cut guide can be attached to either side of the tool.

- Secure the block to the main body with the supplied screw **29** and washer. Tighten with the supplied hex wrench **19**.

### Depth Guide (Fig. J)

This feature allows you to precisely cut material at a specified depth.

- Insert the guide arm **7** as shown in Figure J into the front slot on the guide block **6**.
- Adjust the length of the guide by pulling out or pushing inward to achieve the desired cut depth as shown in Figure J.
- Secure the guide in place by turning the depth/cut adjustment knob **17** clockwise. To release the guide turn the depth/cut adjustment knob counterclockwise.

### Cut Guide (Fig. I)

This feature allows you to more accurately track a marked cut line.

- Insert the guide arm **7** as shown in Figure I into the slots on the left and right sides of the guide block **6**.
- Adjust the length of the guide by pulling out or pushing inward to achieve the desired length as shown in Figure I.
- Secure the guide in place by turning the depth/cut adjustment knob **17** clockwise. To release the guide turn the depth/cut adjustment knob counterclockwise.

**NOTE:** The guide arm can also be placed in the guard assembly vertically in order to set the height off a cut. Refer to Figure J.

### Attaching the Dust Extraction Adaptor (Fig. O)

The Dust Extraction Adaptor allows you to connect the tool to an external dust extractor, either using the AirLock™ system (DWV9000-XJ), or a standard 35 mm dust extractor fitment.

- Attach the dust extraction adaptor **20** by inserting the tabs **16** in to the accessory side mount slots **5**.

**NOTE:** The dust extraction adaptor can be attached to either side of the tool.

- Insert screw **29** and washer **30** into the dust extraction adaptor **20** and tighten with the supplied hex wrench **19**.

### Installing/Removing Sanding Sheets (Fig. F)

A diamond shaped platen **25** uses a hook and loop adhesion system to attach the sanding sheets **26**. The platen allows you to use it on large flat surfaces and tight spots or corners.

- Attach the sanding platen accessories as described under **Installing/Removing Accessories**.
- Align the edges on the sanding sheet with the edge of the sanding platen and press the sanding sheet onto the platen.
- Firmly press the base with the sanding sheet attached against a flat surface and briefly switch the tool on. This provides for good adhesion between the platen and the sanding sheet and also helps to prevent premature wear.

**NOTE:** When the tip of the sanding sheet becomes worn, detach the sheet from the platen, rotate and reapply.

### Belt Hook (Fig. N)

#### Optional Accessory



**WARNING:** To reduce the risk of serious personal injury, **ONLY use the tool's belt hook to hang the tool from a work belt. DO NOT use the belt hook for tethering or securing the tool to a person or object during use. DO NOT suspend tool overhead or suspend objects from the belt hook.**



**WARNING:** To reduce the risk of serious personal injury, ensure the screw holding the belt hook is secure.

**IMPORTANT:** When attaching or replacing the belt hook, only use the screw **28** that is provided with the belt hook. Be sure to securely tighten the screw.

To accommodate left- or right- handed users the belt hook **27** can be attached to the tool using one of the slots below the main handle on left or right side and using the provided screw **28** installed on the underside of the main handle. If the belt hook is not desired at all, it can be removed from the tool.

#### To Install the Belt Hook

- Insert the hook into one of the slots, on left or right side, below the main handle.
- Install the screw on the underside of the main handle. Be sure to securely tighten the screw.

#### To Remove or Move the Belt Hook

- Remove the screw located on the underside of the main handle.
- Pull the belt hook away from the main handle.
- Insert the hook into one of the slots, on left or right side, below the main handle, or install the screw on the underside of the main handle. Be sure to securely tighten the screw.

## OPERATION

### Instructions for Use



**WARNING:** Always observe the safety instructions and applicable regulations.



**WARNING:** To reduce the risk of serious personal injury, turn tool off and disconnect battery pack before making any adjustments or removing/

**installing attachments or accessories.** An accidental start-up can cause injury.



**WARNING:** Ensure switch is fully OFF before installing the battery.

## Proper Hand Position (Fig. K)



**WARNING:** To reduce the risk of serious personal injury, ALWAYS use proper hand position as shown.



**WARNING:** To reduce the risk of serious personal injury, ALWAYS hold securely in anticipation of a sudden reaction.

Proper hand position requires one hand on the main handle **12**.

## Instructions for Use (Fig. A, K)

1. Install the battery pack.
2. To turn the tool ON, hold it as shown in Figure K and press the variable speed trigger **1**.

**NOTE:** The further the trigger switch is depressed the faster the tool will operate. If in doubt about the proper speed for your operation, test the performance at low speed and gradually increase until a comfortable speed is found.

3. To turn the tool OFF, release the variable speed trigger **1**.

## Lock on/off Button (Fig. L)

The tool can be locked off by fully depressing the lock on/off button **4** to the left as shown in Figure L.

Pushing the lock on/off button **4** to the left with the trigger **1** depressed will lock the trigger in the depressed position. This allows for more comfort and control in extended use applications.

Pressing the trigger switch again will release the lock out and the tool will turn off upon release of the trigger.

**NOTE:** The tool will automatically shut off after operating for five minutes with the lock-on button engaged. To restart the tool, the user will have to release the trigger and repress lock-on button.

## LED Worklight (Fig. M)

The LED worklight **2** will activate when the trigger is depressed. It will automatically shut off following a short period of time once the trigger is released.

## Using the Dust Extraction Adaptor with the Sanding Platen (Fig. P)

1. Attach the dust extraction adaptor **20**. Refer to *Attaching the Dust Extraction Adaptor*.
2. Attach the sanding platen **25** as described under *Installing/Removing Accessories*.
3. Attach sanding sheet as described under *Installing/Removing Sanding Sheets*.

## Using the Dust Extraction Adaptor with Plunge Cutting Accessory (Fig. Q)

1. Attach the dust extraction adaptor. Refer to *Attaching the Dust Extraction Adaptor*.

2. Push dust extraction arm **22** into the lower aperture of the dust extraction adaptor **20**.
3. Attach plunge cutting blade as described under *Installing/Removing Accessories*.
4. Adjust the dust extraction arm **22** for best results.

## Helpful Hints

- Always ensure the workpiece is firmly held or clamped to prevent movement. Any movement of the material may affect the quality of the cutting or sanding finish.
- Do not start sanding without having the sandpaper attached to sanding platen.
- Use coarse grit paper to sand rough surfaces, medium grit for smooth surfaces and fine grit for the finishing surfaces. If necessary, first make a test run on scrap material.
- Excessive force will reduce the working efficiency and cause motor overload. Replacing the accessory regularly will maintain optimum working efficiency.
- Do not allow the sandpaper to wear away, it will damage the sanding pad.
- If the tool overheats, especially when used at low speed, set the speed to maximum and run it with no load for 2–3 minutes to cool the motor. Avoid prolonged usage at very low speeds. Always keep the blade sharp.

## MAINTENANCE

Your power tool has been designed to operate over a long period of time with a minimum of maintenance. Continuous satisfactory operation depends upon proper tool care and regular cleaning.



**WARNING:** To reduce the risk of serious personal injury, turn tool off and disconnect battery pack before making any adjustments or removing/ installing attachments or accessories. An accidental start-up can cause injury.

The charger and battery pack are not serviceable.

## Lubrication

Your power tool requires no additional lubrication.

## Cleaning



**WARNING:** Electrical shock and mechanical hazard. Disconnect the electrical appliance from the power source before cleaning.



**WARNING:** To ensure safe and efficient operation, always keep the electrical appliance and the ventilation slots clean.



**WARNING:** Never use solvents or other harsh chemicals for cleaning the non-metallic parts of the tool. These chemicals may weaken the materials used in these parts. Use a cloth dampened only with water and mild soap. Never let any liquid get inside the tool; never immerse any part of the tool into a liquid.

Ventilation slots can be cleaned using a dry, soft non-metallic brush and/or a suitable vacuum cleaner. Do not use water or

any cleaning solutions. Wear approved eye protection and an approved dust mask.

## Optional Accessories



**WARNING:** *Since accessories, other than those offered by DEWALT, have not been tested with this product, use of such accessories with this tool could be hazardous. To reduce the risk of injury, only DEWALT-recommended accessories should be used with this product.*

Consult your dealer for further information on the appropriate accessories.

### Compatible accessories

Oscillating sanding pad  
Oscillating wood w/ nails blade  
Wide titanium oscillating wood w/ nails blade  
Oscillating hardwood blade  
Oscillating fastcut wood blade  
Wide oscillating fastcut wood blade  
Oscillating wood detail blade  
Oscillating titanium metal blade  
Oscillating semicircle blade  
Oscillating titanium semicircle blade  
Oscillating flush cut blade  
Titanium oscillating flush cut blade  
Oscillating multi-material blade  
Oscillating rigid scraper blade  
Oscillating flexible scraper blade  
Oscillating carbide grout removal blade  
Oscillating fastcut carbide grout removal blade  
Oscillating carbide rasp

## Protecting the Environment



Separate collection. Products and batteries marked with this symbol must not be disposed of with normal household waste.

■ Products and batteries contain materials that can be recovered or recycled, reducing the demand for raw materials. Please recycle electrical products and batteries according to local provisions. Further information is available at [www.2helpU.com](http://www.2helpU.com).

## Rechargeable Battery Pack

This long-life battery pack must be recharged when it fails to produce sufficient power on jobs that were easily done before. At the end of its technical life, discard it with due care for our environment:

- Run the battery pack down completely, then remove it from the tool.
- Li-ion cells are recyclable. Take them to your dealer or a local recycling station. The collected battery packs will be recycled or disposed of properly.









|   |                      |                                  |   |
|---|----------------------|----------------------------------|---|
| Belgique et<br>Luxembourg België en Luxemburg | Tel: NL<br>Tel: FR   | 32 15 47 37 63<br>32 15 47 37 64 | www.dewalt.be<br>support@dewalt.be<br>support@dewalt.be.fr                            |
| Danmark                                       | Tel:                 | 70 20 15 10                      | www.dewalt.dk<br>support@dewalt.dk  |
| Deutschland                                   | Tel:                 | 06126-21-0                       | www.dewalt.de<br>support@dewalt.de  |
| Ελλάδα  | Τηλ:                 | 00302108981616                   | www.dewalt.gr<br>support@dewalt.gr  |
| España  | Tel:                 | 934 797 400                      | www.dewalt.es<br>support@dewalt.es  |
| France  | Tel:                 | 04 72 20 39 20                   | www.dewalt.fr<br>support@dewalt.fr  |
| Schweiz, Suisse, Svizzera                     | Tel:                 | 044 - 755 60 70                  | www.dewalt.ch<br>support@dewalt.ch.de<br>support@dewalt.ch.fr<br>support@dewalt.ch.it |
| Ireland                                       | Tel:                 | 00353-2781800                    | www.dewalt.ie<br>support@dewalt.ie  |
| Italia  | Tel:                 | 800-014353<br>39 039-9590200     | www.dewalt.it<br>support@dewalt.it  |
| Nederlands                                    | Tel:                 | 31 164 283 063                   | www.dewalt.nl<br>support@dewalt.nl  |
| Norge   | Tel:                 | 45 25 13 00                      | www.dewalt.no<br>support@dewalt.no  |
| Österreich                                    | Tel:                 | 01 - 66116 - 0                   | www.dewalt.at<br>support@dewalt.at  |
| Portugal                                      | Tel:                 | +351 214667500                   | www.dewalt.pt<br>support@dewalt.pt  |
| Suomi   | Puh:                 | 010 400 4333                     | www.dewalt.fi<br>support@dewalt.fi  |
| Sverige                                       | Tel:                 | 031 68 61 60                     | www.dewalt.se<br>support@dewalt.se  |
| Türkiye                                       | Tel:                 | +90 216 665 2900                 | tr.dewalt.global<br>support@dewalt.com.tr   |
| United Kingdom                                | Tel:                 | (+44) (0)1753 260094             | www.dewalt.co.uk<br>support@dewalt.co.uk  |
| Australia / New Zealand                       | Tel: Aust<br>Tel: NZ | 1800 654 155<br>0800 339 258     | www.dewalt.com.au<br>www.dewalt.co.nz<br>support@dewalt.au<br>support@dewalt.co.nz    |
| Middle East Africa                            | Tel:                 | 971 4 812 7400                   | www.dewalt.ae<br>support@dewalt.ae  |