
DEWALT®

XR LI-ION

www.DEWALT.com

DCR020
DCR021

Fig. A

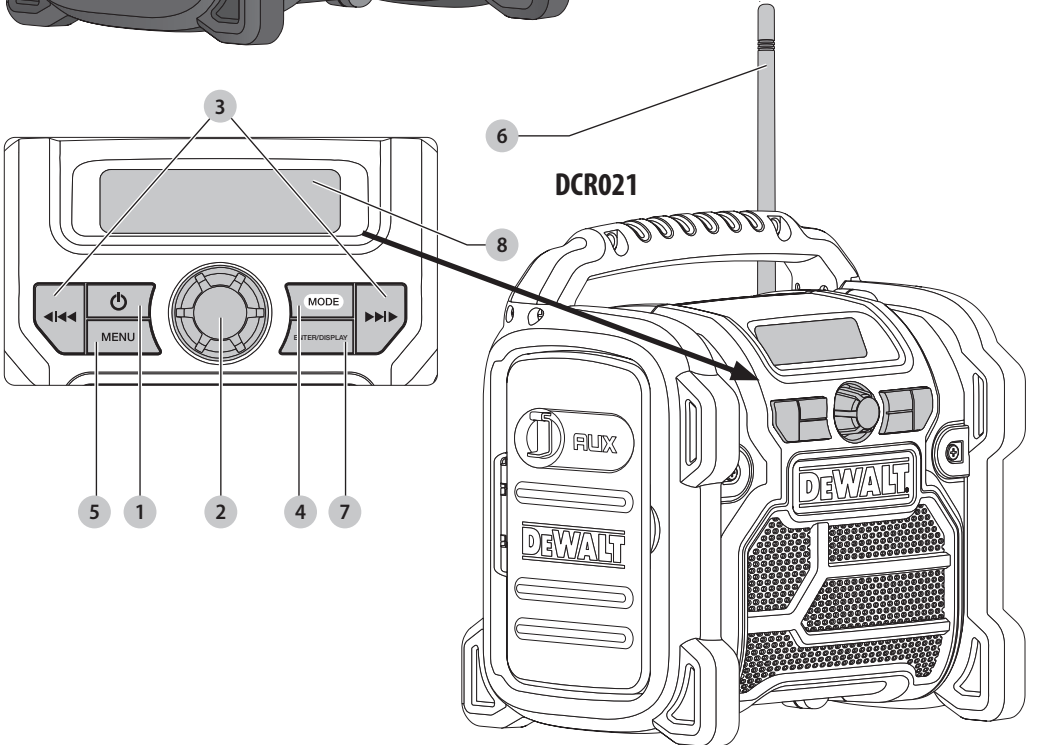
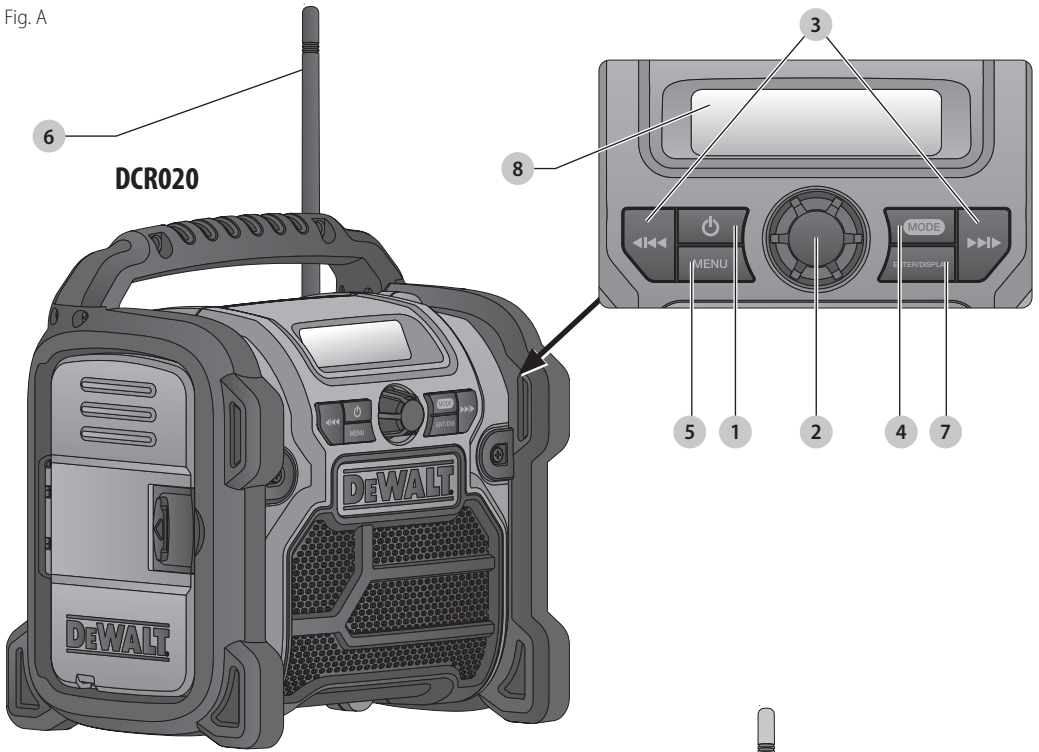


Fig. B

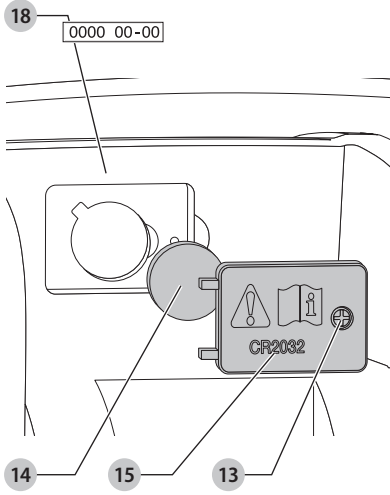


Fig. C

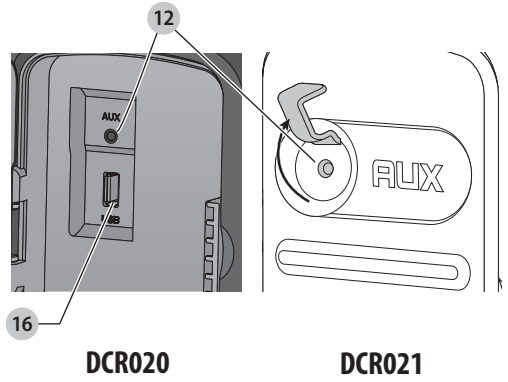
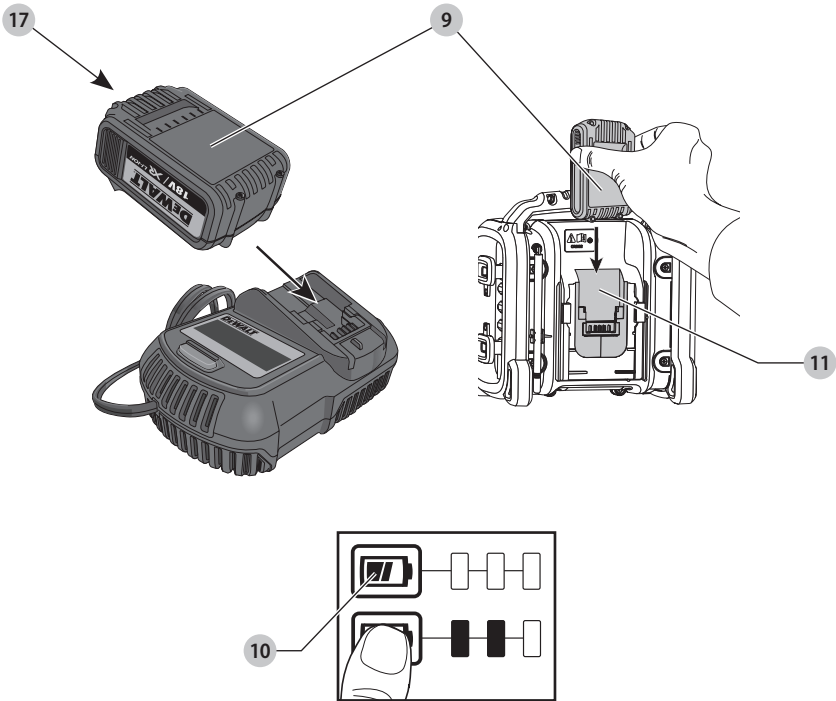


Fig. D



RADIO

DCR020/DCR021

Congratulations!

You have chosen a DEWALT tool. Years of experience, thorough product development and innovation make DEWALT one of the most reliable partners for professional power tool users.

Technical Data

	DCR020	DCR021
Power source	AC/DC	DC
Battery voltage	V_{DC}	
Peak	12/16/20	12/16/20
Rated	10.8/14.4/18	10.8/14.4/18
Mains voltage	V_{AC} 230	—
Battery type	Li-Ion	Li-Ion
Weight (without battery pack)	kg 2.9	1.93

EU-Declaration of Conformity

RADIO EQUIPMENT DIRECTIVE



Radio DCR020/DCR021

DEWALT hereby, declares that the DEWALT radio equipment type is in compliance with 2014/53/EU Radio Equipment Directive and to all applicable EU directive requirements.

The full text of the EU Declaration of Conformity can be requested at

DEWALT, Richard-Klinger-Straße 11, 65510, Idstein, Germany.

Or is available at the following internet address:

www.2helpu.com/world.

Search for Product and Type Number indicate on the nameplate.

DECLARATION OF CONFORMITY

RADIO EQUIPMENT REGULATION 2017



DCR020, DCR021 Radio

DEWALT hereby, declares that the DEWALT radio equipment type is in compliance with Radio Equipment Regulation 2017, S.I.2017/1206 (as amended),

The full text of the UK Declaration of Conformity can be requested at

DEWALT, 270 Bath Road, Slough, Berkshire, SL1 4DX, England.

Or is available at the following internet address:

www.2helpu.com/world.

Search for Product and Type Number indicate on the nameplate.



WARNING: To reduce the risk of injury, read the instruction manual.

Definitions: Safety Guidelines

The definitions below describe the level of severity for each signal word. Please read the manual and pay attention to these symbols.



DANGER: Indicates an imminently hazardous situation which, if not avoided, **will** result in **death or serious injury**.



WARNING: Indicates a potentially hazardous situation which, if not avoided, **could** result in **death or serious injury**.



CAUTION: Indicates a potentially hazardous situation which, if not avoided, **may** result in **minor or moderate injury**.

NOTICE: Indicates a practice **not related to personal injury** which, if not avoided, **may** result in **property damage**.



Denotes risk of electric shock.



Denotes risk of fire.

General Power Tool Safety Warnings



WARNING: Read all safety warnings and all instructions. Failure to follow the warnings and instructions may result in electric shock, fire and/or serious injury.

SAVE ALL WARNINGS AND INSTRUCTIONS FOR FUTURE REFERENCE

Safety Instructions for Radios

- **Remove the battery pack.** Switch off before leaving it unattended. Remove the battery pack when not in use, before changing accessories or attachments and before servicing.
- This appliance is intended to be used in moderate climates.
- This appliance is not intended for use by persons (including children) with reduced physical, sensory or mental capabilities, or lack of experience and knowledge, unless they have been given supervision or instruction concerning use of the appliance by a person responsible for their safety.
- Children should be supervised to ensure that they do not play with the appliance.
- Radio shall not be exposed to dripping or splashing; no objects filled with liquids, such as vases, shall be placed on it.
- No exposed flame sources, such as lighted candles, should be placed on the radio.
- The radio is intended for indoor and professional use only.

Batteries				Chargers/Charge Times (Minutes)								
Cat #	V _{DC}	Ah	Weight kg	DCB104	DCB107	DCB112	DCB113	DCB115	DCB118	DCB132	DCB119	
DCB546	18/54	6.0/2.0	1.05	60	270	170	140	90	60	90	X	
DCB547	18/54	9.0/3.0	1.46	75*	420	270	220	135*	75*	135*	X	
DCB548	18/54	12.0/4.0	1.44	120	540	350	300	180	120	180	X	
DCB181	18	1.5	0.35	22	70	45	35	22	22	22	45	
DCB182	18	4.0	0.61	60/40**	185	120	100	60	60/40**	60	120	
DCB183/B	18	2.0	0.40	30	90	60	50	30	30	30	60	
DCB184/B	18	5.0	0.62	75/50**	240	150	120	75	75/50**	75	150	
DCB185	18	1.3	0.35	22	60	40	30	22	22	22	X	
DCB187	18	3.0	0.54	45	140	90	70	45	45	45	90	
DCB189	18	4.0	0.54	60	185	120	100	60	60	60	120	
DCB141	14.4	1.5	0.30	22	70	45	35	22	X	22	45	
DCB142	14.4	4.0	0.54	60	185	120	100	60	X	60	120	
DCB143	14.4	2.0	0.30	30	90	60	50	30	X	30	60	
DCB144	14.4	5.0	0.52	75	240	150	120	75	X	75	150	
DCB145	14.4	1.3	0.30	22	60	40	30	22	X	22	40	
DCB122	12	2.0	0.20	30	90	60	50	30	X	30	60	
DCB124	12	3.0	0.25	45	140	90	70	45	45	45	90	
DCB125	12	1.3	0.20	22	60	40	30	22	X	22	40	
DCB127	12	2.0	0.20	30	90	60	50	30	X	30	60	

*Date code 201811475B or later

**Date code 201536 or later

Electrical Safety

Always check that the battery pack voltage corresponds to the voltage on the rating plate. Also make sure that the voltage of your charger corresponds to that of your mains.



WARNING: Risk of electric shock. Use in dry locations only. If the supply cord is damaged, it must be replaced by a specially prepared cord available through the DEWALT service organisation.

Mains Plug Replacement (U.K. & Ireland Only)

If a new mains plug needs to be fitted:

- Safely dispose of the old plug.
- Connect the brown lead to the live terminal in the plug.
- Connect the blue lead to the neutral terminal.



WARNING: No connection is to be made to the earth terminal.

Follow the fitting instructions supplied with good quality plugs. Recommended fuse: 3A.

Using an Extension Cable

An extension cord should not be used unless absolutely necessary. Use an approved extension cable suitable for the power input of your charger (see **Technical Data**). The minimum conductor size is 1 mm²; the maximum length is 30 m.

When using a cable reel, always unwind the cable completely.

SAVE THESE INSTRUCTIONS

Chargers

DEWALT chargers require no adjustment and are designed to be as easy as possible to operate.

Important Safety Instructions for All Battery Chargers

SAVE THESE INSTRUCTIONS: This manual contains important safety and operating instructions for compatible battery chargers (refer to **Technical Data**).

- Before using charger, read all instructions and cautionary markings on charger, battery pack, and product using battery pack.



WARNING: Shock hazard. Do not allow any liquid to get inside charger. Electric shock may result.



WARNING: We recommend the use of a residual current device with a residual current rating of 30mA or less.



CAUTION: Burn hazard. To reduce the risk of injury, charge only DEWALT rechargeable batteries. Other types of batteries may burst causing personal injury and damage.




CAUTION: Children should be supervised to ensure that they do not play with the appliance.


NOTICE: Under certain conditions, with the charger plugged into the power supply, the exposed charging contacts inside the charger can be shorted by foreign material. Foreign materials of a conductive nature such

as, but not limited to, steel wool, aluminum foil or any buildup of metallic particles should be kept away from charger cavities. Always unplug the charger from the power supply when there is no battery pack in the cavity. Unplug charger before attempting to clean

- **DO NOT attempt to charge the battery pack with any chargers other than the ones in this manual.** The charger and battery pack are specifically designed to work together.
- **These chargers are not intended for any uses other than charging DEWALT rechargeable batteries.** Any other uses may result in risk of fire, electric shock or electrocution.
- **Do not expose charger to rain or snow.**
- **Pull by plug rather than cord when disconnecting charger.** This will reduce risk of damage to electric plug and cord.
- **Make sure that cord is located so that it will not be stepped on, tripped over, or otherwise subjected to damage or stress.**
- **Do not use an extension cord unless it is absolutely necessary.** Use of improper extension cord could result in risk of fire, electric shock, or electrocution.
- **Do not place any object on top of charger or place the charger on a soft surface that might block the ventilation slots and result in excessive internal heat.** Place the charger in a position away from any heat source. The charger is ventilated through slots in the top and the bottom of the housing.
- **Do not operate charger with damaged cord or plug—** have them replaced immediately.
- **Do not operate charger if it has received a sharp blow, been dropped, or otherwise damaged in any way.** Take it to an authorised service centre.
- **Do not disassemble charger; take it to an authorised service centre when service or repair is required.** Incorrect reassembly may result in a risk of electric shock, electrocution or fire.
- **In case of damaged power supply cord the supply cord must be replaced immediately by the manufacturer, its service agent or similar qualified person to prevent any hazard.**
- **Disconnect the charger from the outlet before attempting any cleaning. This will reduce the risk of electric shock.** Removing the battery pack will not reduce this risk.
- **NEVER attempt to connect two chargers together.**
- **The charger is designed to operate on standard 230V household electrical power. Do not attempt to use it on any other voltage.** This does not apply to the vehicular charger.

Charging a Battery (Fig. D)










1. Plug the charger into an appropriate outlet before inserting battery pack.
2. Insert the battery pack  into the charger, making sure the battery pack is fully seated in the charger. The red (charging) light will blink repeatedly indicating that the charging process has started.

3. The completion of charge will be indicated by the red light remaining ON continuously. The battery pack is fully charged and may be used at this time or left in the charger. To remove the battery pack from the charger, push the battery release button  on the battery pack.

NOTE: To ensure maximum performance and life of lithium-ion battery packs, charge the battery pack fully before first use.

Charger Operation

Refer to the indicators below for the charge status of the battery pack.

Charge Indicators	
	Charging  
	Fully Charged  
	Hot/Cold Pack Delay*  

*The red light will continue to blink, but a yellow indicator light will be illuminated during this operation. Once the battery pack has reached an appropriate temperature, the yellow light will turn off and the charger will resume the charging procedure. The compatible charger(s) will not charge a faulty battery pack. The charger will indicate faulty battery by refusing to light.

NOTE: This could also mean a problem with a charger.

If the charger indicates a problem, take the charger and battery pack to be tested at an authorised service centre.

Hot/Cold Pack Delay

When the charger detects a battery pack that is too hot or too cold, it automatically starts a Hot/Cold Pack Delay, suspending charging until the battery pack has reached an appropriate temperature. The charger then automatically switches to the pack charging mode. This feature ensures maximum battery pack life.

A cold battery pack will charge at a slower rate than a warm battery pack. The battery pack will charge at that slower rate throughout the entire charging cycle and will not return to maximum charge rate even if the battery pack warms.

The DCB118 charger is equipped with an internal fan designed to cool the battery pack. The fan will turn on automatically when the battery pack needs to be cooled. Never operate the charger if the fan does not operate properly or if ventilation slots are blocked. Do not permit foreign objects to enter the interior of the charger.

Electronic Protection System

XR Li-Ion tools are designed with an Electronic Protection System that will protect the battery pack against overloading, overheating or deep discharge.

The tool will automatically turn off if the Electronic Protection System engages. If this occurs, place the lithium-ion battery pack on the charger until it is fully charged.

Wall Mounting

These chargers are designed to be wall mountable or to sit upright on a table or work surface. If wall mounting, locate the charger within reach of an electrical outlet, and away from a

corner or other obstructions which may impede air flow. Use the back of the charger as a template for the location of the mounting screws on the wall. Mount the charger securely using drywall screws (purchased separately) at least 25.4 mm long with a screw head diameter of 7–9 mm, screwed into wood to an optimal depth leaving approximately 5.5 mm of the screw exposed. Align the slots on the back of the charger with the exposed screws and fully engage them in the slots.

Charger Cleaning Instructions



WARNING: Shock hazard. Disconnect the charger from the AC outlet before cleaning. Dirt and grease may be removed from the exterior of the charger using a cloth or soft non-metallic brush. Do not use water or any cleaning solutions. Never let any liquid get inside the tool; never immerse any part of the tool into a liquid.

Battery Packs

Important Safety Instructions for All Battery Packs

When ordering replacement battery packs, be sure to include catalogue number and voltage.

The battery pack is not fully charged out of the carton. Before using the battery pack and charger, read the safety instructions below. Then follow charging procedures outlined.

READ ALL INSTRUCTIONS

- **Do not charge or use battery in explosive atmospheres, such as in the presence of flammable liquids, gases or dust.** Inserting or removing the battery from the charger may ignite the dust or fumes.
- **Never force battery pack into charger. Do not modify battery pack in any way to fit into a non-compatible charger as battery pack may rupture causing serious personal injury.**
- Charge the battery packs only in DeWALT chargers.
- **DO NOT splash or immerse in water or other liquids.**
- **Do not store or use the radio and battery pack in locations where the temperature may reach or exceed 40 °C (104 °F) (such as outside sheds or metal buildings in summer).**
- **Do not incinerate the battery pack even if it is severely damaged or is completely worn out.** The battery pack can explode in a fire. Toxic fumes and materials are created when lithium-ion battery packs are burned.
- **If battery contents come into contact with the skin, immediately wash area with mild soap and water.** If battery liquid gets into the eye, rinse water over the open eye for 15 minutes or until irritation ceases. If medical attention is needed, the battery electrolyte is composed of a mixture of liquid organic carbonates and lithium salts.
- **Contents of opened battery cells may cause respiratory irritation.** Provide fresh air. If symptoms persists, seek medical attention.



WARNING: Burn hazard. Battery liquid may be flammable if exposed to spark or flame.



WARNING: Never attempt to open the battery pack for any reason. If battery pack case is cracked or damaged, do not insert into charger. Do not crush, drop or damage battery pack. Do not use a battery pack or charger that has received a sharp blow, been dropped, run over or damaged in any way (i.e., pierced with a nail, hit with a hammer, stepped on). Electric shock or electrocution may result. Damaged battery packs should be returned to service centre for recycling.



WARNING: Fire hazard. Do not store or carry the battery pack so that metal objects can contact exposed battery terminals. For example, do not place the battery pack in aprons, pockets, tool boxes, product kit boxes, drawers, etc., with loose nails, screws, keys, etc.



CAUTION: When not in use, place tool on its side on a stable surface where it will not cause a tripping or falling hazard. Some tools with large battery packs will stand upright on the battery pack but may be easily knocked over.

Transportation



WARNING: Fire hazard. Transporting batteries can possibly cause fire if the battery terminals inadvertently come in contact with conductive materials. When transporting batteries, make sure that the battery terminals are protected and well insulated from materials that could contact them and cause a short circuit.

NOTE: Lithium-ion batteries should not be put in checked baggage.

DeWALT batteries comply with all applicable shipping regulations as prescribed by industry and legal standards which include UN Recommendations on the Transport of Dangerous Goods; International Air Transport Association (IATA) Dangerous Goods Regulations, International Maritime Dangerous Goods (IMDG) Regulations, and the European Agreement Concerning The International Carriage of Dangerous Goods by Road (ADR). Lithium-ion cells and batteries have been tested to section 38.3 of the UN Recommendations on the Transport of Dangerous Goods Manual of Tests and Criteria.

In most instances, shipping a DeWALT battery pack will be excepted from being classified as a fully regulated Class 9 Hazardous Material. In general, only shipments containing a lithium-ion battery with an energy rating greater than 100 Watt Hours (Wh) will require being shipped as fully regulated Class 9. All lithium-ion batteries have the Watt Hour rating marked on the pack. Furthermore, due to regulation complexities, DeWALT does not recommend air shipping lithium-ion battery packs alone regardless of Watt Hour rating. Shipments of tools with batteries (combo kits) can be air shipped as excepted if the Watt Hour rating of the battery pack is no greater than 100 Whr. Regardless of whether a shipment is considered excepted or fully regulated, it is the shipper's responsibility to consult the latest regulations for packaging, labeling/marketing and documentation requirements.

The information provided in this section of the manual is provided in good faith and believed to be accurate at the time the document was created. However, no warranty, expressed or

implied, is given. It is the buyer's responsibility to ensure that its activities comply with the applicable regulations.

Storage Recommendations

1. The best storage place is one that is cool and dry away from direct sunlight and excess heat or cold. For optimum battery performance and life, store battery packs at room temperature when not in use.
2. For long storage, it is recommended to store a fully charged battery pack in a cool, dry place out of the charger for optimal results.

NOTE: Battery packs should not be stored completely depleted of charge. The battery pack will need to be recharged before use.

Labels on Charger and Battery Pack

In addition to the pictographs used in this manual, the labels on the charger and the battery pack may show the following pictographs:



Read instruction manual before use.



See **Technical Data** for charging time.



Battery charging.



Battery charged.



Battery defective.



Do not probe with conductive objects.



Do not charge damaged battery packs.



Do not expose to water.



Have defective cords replaced immediately.



Charge only between 4 °C and 40 °C.



Only for indoor use.



Discard the battery pack with due care for the environment.



Charge DEWALT battery packs only with designated DEWALT chargers. Charging battery packs other than the designated DEWALT batteries with a DEWALT charger may make them burst or lead to other dangerous situations.



Do not incinerate the battery pack.

Battery Type

The DCR020 and DCR021 operate on a 10.8, 12 or 18 volt battery pack.

These battery packs may be used: DCB122, DCB124, DCB125, DCB127, DCB142, DCB143, DCB144, DCB181, DCB182, DCB183, DCB183B, DCB184, DCB184B, DCB185, DCB187, DCB189. Refer to **Technical Data** for more information.

Package Contents

The package contains:

- 1 Radio
- 1 Li-Ion battery pack (C1, D1, L1, M1, P1, S1, T1, X1, Y1 models)
- 2 Li-Ion battery packs (C2, D2, L2, M2, P2, S2, T2, X2, Y2 models)
- 3 Li-Ion battery packs (C3, D3, L3, M3, P3, S3, T3, X3, Y3 models)
- 1 Instruction manual

NOTE: Battery packs, chargers and kitboxes are not included with N models. Battery packs and chargers are not included with NT models. B models include Bluetooth® battery packs.

NOTE: The Bluetooth® word mark and logos are registered trademarks owned by the Bluetooth®, SIG, Inc. and any use of such marks by DEWALT is under license. Other trademarks and trade names are those of their respective owners.

- Check for damage to the radio, parts or accessories which may have occurred during transport.
- Take the time to thoroughly read and understand this manual prior to operation.

Markings on Radio

The following pictographs are shown on the radio:



Read instruction manual before use.



Date Code Position (Fig. B)

The production date code **18** consists of a 4-digit year followed by a 2-digit week and is extended by a 2-digit factory code.

Description (Fig. A–D)




WARNING: Never modify the power radio or any part of it. Damage or personal injury could result.

- 1 Power button
- 2 Volume dial
- 3 Arrow buttons
- 4 Mode button
- 5 Menu button
- 6 Antenna
- 7 Enter/display button

- 8 LCD display
- 9 Battery pack
- 10 Fuel gauge button
- 11 Battery receptacle
- 12 Auxiliary port
- 13 Battery door screw
- 14 Coin cell battery
- 15 Coin cell battery door
- 16 USB port (DCR020 only)

- **Young children and the infirm.** This appliance is not intended for use by young children or infirm persons without supervision.

ASSEMBLY AND ADJUSTMENTS

 **WARNING:** To reduce the risk of serious personal injury, turn tool off and disconnect battery pack before making any adjustments or removing/installing attachments or accessories. An accidental start-up can cause injury.

 **WARNING:** Use only DEWALT battery packs and chargers.

Inserting and Removing the Battery Pack from the Radio (Fig. D)

NOTE: Make sure your battery pack 9 is fully charged.

To Install the Battery Pack into the Radio

1. Align the battery pack 9 with the rails inside the battery receptacle 11.
2. Slide it into the handle until the battery pack is firmly seated in the tool and ensure that you hear the lock snap into place.

To Remove the Battery Pack from the Radio

1. Press the release button 17 and firmly pull the battery pack out of the battery receptacle.
2. Insert battery pack into the charger as described in the charger section of this manual.



Fuel Gauge Battery Packs (Fig. D)

Some DEWALT battery packs include a fuel gauge which consists of three green LED lights that indicate the level of charge remaining in the battery pack.

To actuate the fuel gauge, press and hold the fuel gauge button 10. A combination of the three green LED lights will illuminate designating the level of charge left. When the level of charge in the battery is below the usable limit, the fuel gauge will not illuminate and the battery will need to be recharged.

NOTE: The fuel gauge is only an indication of the charge left on the battery pack. It does not indicate tool functionality and is subject to variation based on product components, temperature and end-user application.

To Install the Coin Cell Battery (Fig. B)

  **DANGER: DO NOT INGEST BATTERY; CHEMICAL BURN HAZARD.** This product contains a coin / button cell battery. If the coin / button cell battery

is swallowed, it can cause severe internal burns in just 2 hours and can lead to death.



WARNING: KEEP NEW AND USED BATTERIES AWAY FROM CHILDREN. If the battery compartment does not close securely, stop using the product and keep it away from children. If you think batteries might have been swallowed or placed inside any part of the body, seek immediate medical attention.



WARNING: WHEN REPLACING BATTERY, REPLACE IT WITH THE SAME OR EQUIVALENT TYPE CR2032. Observe correct polarity (+ and -) when replacing batteries. Do not store or carry batteries so that metal objects can contact exposed battery terminals.



WARNING: ENSURE THAT COIN CELL REPLACEMENT IS CARRIED OUT PROPERLY. There is a risk of explosion.

- When replacing battery, replace it with the same or equivalent type CR2032. Do not use any other coin cells or other forms of electrical power supply.
- Do not attempt to recharge the coin cell battery and do not short circuit the coin cell battery. The coin cell battery may leak, explode, catch fire and cause personal injury.
- Do not overheat the coin cell or throw it into fire. The coin cell may leak, explode, catch fire and cause personal injury.
- Do not damage the coin cell and do not disassemble the coin cell. The coin cell may leak, explode, catch fire and cause personal injury.
- Do not allow damaged coin cells to come into contact with water. Leaking lithium may mix with water to create hydrogen, which could cause a fire, an explosion, or personal injury.
- Do not dispose of the button cell battery with normal household waste. Contact your local waste disposal department to dispose of the device/batteries in accordance with applicable local laws and regulations.
- Remove and dispose of drained coin cell correctly. Drained coin cell may leak and damage the product or cause personal injury.



WARNING: When replacing battery, replace it with the same brand and type. Observe correct polarity (+ and -) when replacing batteries. Do not store or carry batteries so that metal objects can contact exposed battery terminals.



WARNING: To reduce the risk of serious personal injury, turn tool off and disconnect tool from power source before making any adjustments or removing/installing attachments or accessories.

Your radio is equipped with memory capacity in order to store the time. When the radio is OFF, this memory capacity is powered by one coin cell battery that is included with the radio.

1. Turn the radio off and unplug from the power source.
2. Unscrew the screw 13 on the battery door 15.
3. Press down on the battery door latch and pull to open.
4. Install the coin cell battery 14 according to the diagram inside the coin cell battery area.
5. Replace the battery door, insert screw and tighten.

NOTE: To reset the LCD display and clock remove the coin cell battery and re-install it. Follow this procedure if the screen seems to lock in place.

OPERATION

Instructions for Use



WARNING: Always observe the safety instructions and applicable regulations.



WARNING: Do not place the radio in locations where it may be exposed to dripping or splashing.

AC Operation

Unwrap power cord and plug into 230 V AC wall outlet.

Operating the Radio (Fig. A)

Power/Volume Adjustment

- To turn the radio on, press the power button **1**.
NOTE: When the radio is first used it will enter DAB mode and automatically scan for stations. It will then set the time and start playing the first station it finds. If there is no time signal available please refer to **Programming The Clock** to manually set the time.
- Turn the dial **2** clockwise to increase the volume. To decrease the volume, turn counterclockwise.

Mode Selection

To choose one of the mode functions (DAB, FM, or AUX) push the mode button **4** until the desired function is found. For example, if the radio is on DAB, seen in upper left portion of LCD display **8**, push the mode button twice to change to AUX.

DAB Mode - Tuning

When the unit is first switched on in DAB/DAB+ mode the radio will auto scan to find broadcast stations in the local area.

Use the left or right arrow buttons **3** to scroll through the stations.

NOTE: When moving locations or if reception was poor in the original scan (possible if the antenna was not up), this may result in an empty or incomplete list of available stations. Manually running an Auto Scan will find all available broadcast stations.

To Perform an Auto Scan:

- Press the menu button **5**, scroll through the options by pressing the right arrow button **3** until you reach **Auto Scan** and select this option by pressing the Enter/Display button **7**.

Once **Auto Scan** is complete the radio will play the first station it finds.

DAB Mode – Station Prune

Some stations once received by your radio which are no longer available may display with a ? after the station name.

To remove these stations from the station list, use the Prune function:

- Press menu button **5** and scroll right to the **Prune** option.
- Press Enter/Display **7** to select.

DAB Mode – Dynamic Range Compression (DRC)

This function reduces the difference between the loudest and quietest audio being broadcast. Effectively, this makes

quiet sounds comparatively louder, and loud sounds comparatively quieter.

The following options are available:

0	broadcast DRC will be ignored
1/2	sets DRC at half the level transmitted
1	uses the DRC level transmitted
2	doubles the DRC level transmitted

NOTE: DRC only works if it is enabled by the broadcaster.

FM Mode – Tuning

To Tune: Push the right arrow to move the tuner up the frequency band, push the left arrow to move the tuner down the frequency band.

To Seek: Press and hold the right arrow button **3** once and release. The tuner frequency will increase to seek the first radio station with acceptable clarity and stop at that station. The right arrow button may be pressed again to continue seeking a radio station at higher frequencies. The left arrow button may be pressed to seek radio stations at lower frequencies. The **Seek** function is available in FM mode.

Programming the Clock

The **Time and Date** can be updated manually or automatically synchronised with national time signals broadcast over DAB (where available).

To Synchronise the Clock Automatically: (DAB mode ONLY)

NOTE: When the radio is first used it will enter DAB mode and automatically scan for stations.

- Press the menu button **5**.
- Use the arrow buttons **3** to scroll to **Clock Adjust** and press the Enter/Display button **7**.
- Scroll to **Sync Time Now** press the Enter/Display button to select. This automatically synchronises clock with national time signals.

To Adjust the Clock Manually: (FM and DAB mode)

- Press the menu button **5**.
- Use the arrow buttons **3** to scroll to **Clock Adjust** on the LCD display and press the Enter/Display button **7**.
- Scroll to **Date & Time** and press the Enter/Display button **7**.
- Set the date and time using left and right arrow buttons **3**.
- Once the desired time is set press the Enter/Display button **7** to commit.

Other Clock Adjust menu options:

- Time format: Select a 12h or 24h time display format
- Date format: Select the date display format, MM/DD/YYYY, YYYY/MM/DD or DD/MM/YYYY.

Important Radio Notes (Fig. C)

- The radio will run for up to 14 hours on a fully charged 4.0 amp hour battery in good condition. Using batteries of lower voltage or capacity will result in less run time.

2. Reception will vary depending on location and strength of radio signal.
3. Certain generators may cause background noise.
4. To use the auxiliary port **12**, plug the output jack from a CD or iPod**/MP3 player into the port. The sound from the external source plays through the speakers of the radio.
5. The USB power output port **16** is a connection port for powering low power devices such as mobile phones, CD and MP3 players. Note that the radio will not charge via the USB port when powered by batteries. (DCR020 only)

* iPod is a registered trademark of Apple, Inc.

MAINTENANCE

Your DEWALT radio has been designed to operate over a long period of time with a minimum of maintenance. Continuous satisfactory operation depends upon proper care.

Service Notes

This product is not user serviceable. There are no user serviceable parts inside the radio. Servicing at an authorised service centre is required to avoid damage to static sensitive internal components.

Cleaning



WARNING: *Electrical shock and mechanical hazard. Disconnect the electrical appliance from the power source before cleaning.*



WARNING: *To ensure safe and efficient operation, always keep the electrical appliance and the ventilation slots clean.*



WARNING: *Never use solvents or other harsh chemicals for cleaning the non-metallic parts of the tool. These chemicals may weaken the materials used in these parts. Use a cloth dampened only with water and mild soap. Never let any liquid get inside the tool; never immerse any part of the tool into a liquid.*

Ventilation slots can be cleaned using a dry, soft non-metallic brush and/or a suitable vacuum cleaner. Do not use water or any cleaning solutions. Wear approved eye protection and an approved dust mask.

Optional Accessories



WARNING: *Since accessories, other than those offered by DEWALT, have not been tested with this product, use of such accessories with this radio could be hazardous. To reduce the risk of injury, only DEWALT recommended accessories should be used with this product.*

Consult your dealer for further information on the appropriate accessories.

Protecting the Environment



Separate collection. Products and batteries marked with this symbol must not be disposed of with normal household waste.

Products and batteries contain materials that can be recovered or recycled reducing the demand for raw materials. Please recycle electrical products and batteries

according to local provisions. Further information is available at www.2helpU.com.

Rechargeable Battery Pack

This long life battery pack must be recharged when it fails to produce sufficient power on jobs which were easily done before. At the end of its technical life, discard it with due care for our environment:

- Run the battery pack down completely, then remove it from the radio.
- Li-Ion cells are recyclable. Take them to your dealer or a local recycling station. The collected battery packs will be recycled or disposed of properly.

Belgique et Luxembourg België en Luxemburg	DeWALT - Belgium BVBA Egide Walschaertsstraat 16 2800 Mechelen	Tel: NL 32 15 47 37 63 Tel: FR 32 15 47 37 64 Fax: 32 15 47 37 99	www.dewalt.be endusser.BE@SBDinc.com
Danmark	DeWALT (Stanley Black&Decker AS) Roskildevej 22 2620 Albertslund	Tel: 70 20 15 10 Fax: 70 22 49 10	www.dewalt.dk kundeservice.dk@sbdinc.com
Deutschland	DeWALT Richard-Klinger-Str. 11 65510 Idstein	Tel: 06126-21-0 Fax: 06126-21-2770	www.dewalt.de infodwge@sbdinc.com
Ελλάς	DeWALT (ΕΜΔΑ) Α.Ε. ΕΑΡΑ-ΓΡΑΦΕΙΑ : Στραβόβουος 7 & Α. Βουλιαγωγμένης, Γλυφάδα 166 74, Αθήνα SERVICE : Ημέρος Τόπος 2 (Χάιν Αδών) — 193 00 Ασπρόπυργος	Τηλ: 00302108981616 Φαξ: 00302108983570	www.dewalt.gr Greece.Service@sbdinc.com
España	DeWALT Ibérica, S.C.A. Parc de Negocios "Mas Blau" Edificio Muntadas, c/Bergadà, 1, Of. A6 08820 El Prat de Llobregat (Barcelona)	Tel: 934 797 400 Fax: 934 797 419	www.dewalt.es respuesta.postventa@sbdinc.com
France	DeWALT (Stanley Black & Decker France SAS) 62 Chemin de la Bruyère 69570 Dardilly, France	Tel: 04 72 20 39 20 Fax: 04 72 20 39 00	www.dewalt.fr scufr@sbdinc.com
Schweiz Suisse Svizzera	DeWALT In der Luberzen 42 8902 Urdorf	Tel: 044 - 755 60 70 Fax: 044 - 730 70 67	www.dewalt.ch service@rofoag.ch
Ireland	DeWALT Building 4500, Kinsale Road Cork Airport Business Park Cork, Ireland	Tel: 00353-2781800 Fax: 01278 1811	www.dewalt.ie Sales.ireland@sbdinc.com
Italia	DeWALT via Energypark 6 20871 Vimercate (MB), IT	Tel: 800-014353 39 039-9590200 Fax: 39 039-9590311	www.dewalt.it
Nederlands	DeWALT Netherlands BVPostbus 83, 6120 AB BORN	Tel: 31 164 283 063 Fax: 31 164 283 200	www.dewalt.nl
Norge	DeWALT Postboks 4613 0405 Oslo, Norge	Tel: 45 25 13 00 Fax: 45 25 08 00	www.dewalt.no kundeservice.no@sbdinc.com
Österreich	DeWALT Werkzeug Vertriebsges m.b.H Oberlaerstrasse 248, A-1230 Wien	Tel: 01 - 66116 - 0 Fax: 01 - 66116 - 614	www.dewalt.at service.austria@sbdinc.com
Portugal	DeWALT Ed. D Dinis, Quina da Fonte Rua dos Malhoes 2 - 2A 2º Esq. Oeiras e S. Juliao da Barra, paço de Arcos e Caxias 2770 071 Paço de Arcos	Tel: +351 214667500 Fax: +351214667580	www.dewalt.pt resposta.posvenda@sbdinc.com
Suomi	DeWALT PL47 00521 Helsinki, Suomi	Puh: 010 400 4333 Faksi: 0800 411 340	www.dewalt.fi asiakaspalvelu.fi@sbdinc.com
Sverige	DeWALT BOX 94 43122 Mölndal Sverige	Tel: 031 68 61 60 Fax: 031 68 60 08	www.dewalt.se kundservice.se@sbdinc.com
Türkiye	Stanley Black & Decker Turkey Alet Üretim Tic. Ltd.Şti. İçerenköy Mahallesi Umut Sokak No: 10-12 / 82-83-84 Kat: 19 Ataşehir-İstanbul, Türkiye	Tel: +90 216 665 2900 Faks: +90 216 665 2901	www.dewalt.com.tr support@dewalt.com.tr
United Kingdom	DeWALT, 270 Bath Road; Slough, Berks SL1 4DX	Tel: 01753-567055 Fax: 01753-572112	www.dewalt.co.uk emeaservice@sbdinc.com
Australia / New Zealand	DeWALT 810 Whitehorse Road Box Hill VIC 3128 Australia	Tel: Aust 1800 654 155 Tel: NZ 0800 339 258	www.dewalt.com.au www.dewalt.co.nz
Middle East Africa	DeWALT P.O. Box - 17164, Jebel Ali Free Zone (South), Dubai, UAE	Tel: 971 4 812 7400 Fax: 971 4 2822765	www.dewalt.ae support@dewalt.ae