

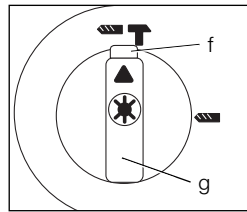
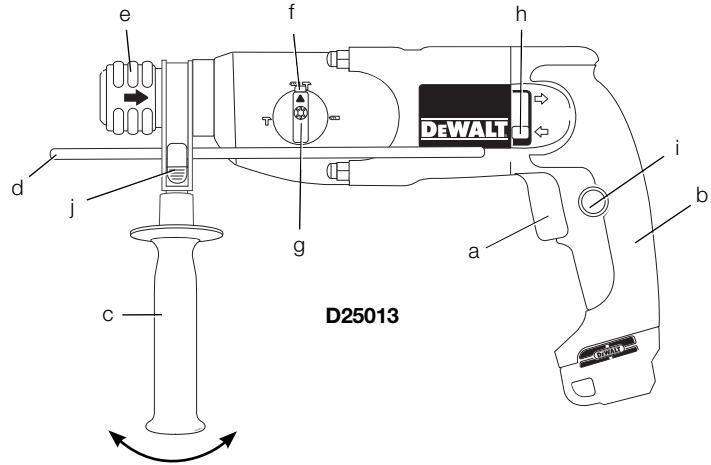
**DEWALT®**

**[www.DEWALT.com](http://www.DEWALT.com)**

**D25012**  
**D25013**

<b>English (original instructions)</b>	<b>3</b>
<b>Français (traduction de la notice d'instructions originale)</b>	<b>12</b>
<b>ةيلصألا تاميلعتلا نع مجرتسم ةيبرعلا</b>	<b>22</b>

Figure 1



D25012

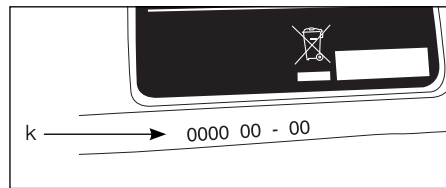


Figure 2

D25013

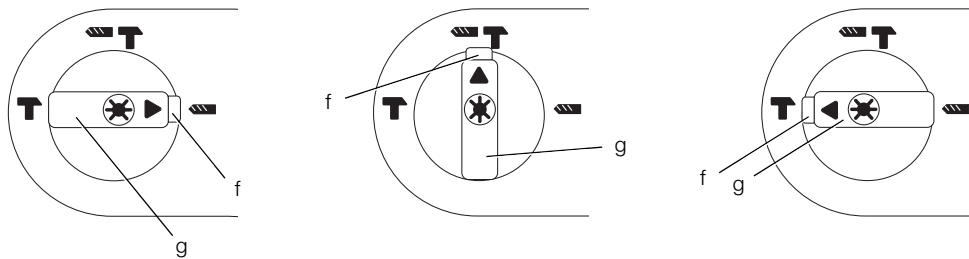


Figure 3

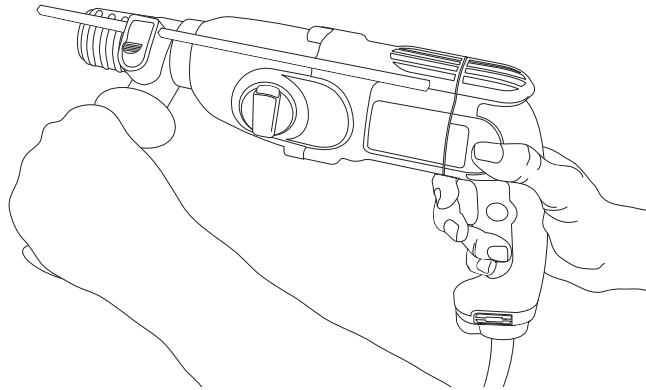
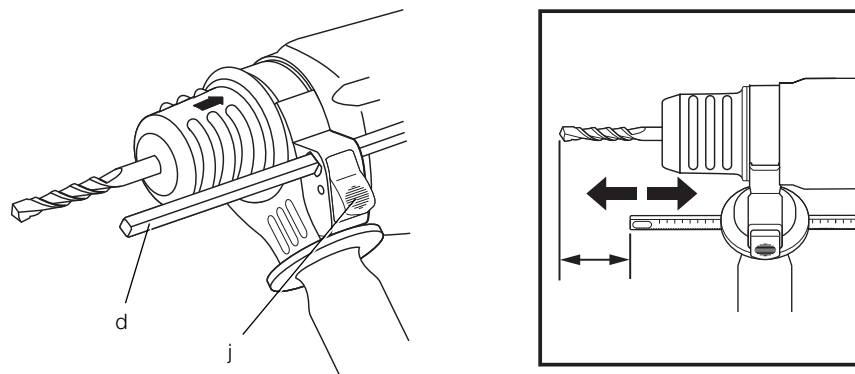


Figure 4



# HEAVY-DUTY SDS PLUS® ROTARY HAMMERS

## D25012, D25013

### Congratulations!

You have chosen a DEWALT tool. Years of experience, thorough product development and innovation make DEWALT one of the most reliable partners for professional power tool users.

### Technical Data

		D25012	D25013
Voltage	V	220–240 127	220–240 127
Type		1	1
Power input	W	650	650
No-load speed	min <sup>-1</sup>	0–1550	0–1550
Load speed	min <sup>-1</sup>	0–1130	0–1240
Beats per minute	BPM	0–4150	0–4550
Impact energy			
Hammerdrilling	J	2.4	2.4
Chiselling	J	2.4	2.4
Maximum drilling range in steel/wood/concrete	mm	13/30/22	13/30/22
Chisel positions		–	41
Core drilling capacity in soft brick	mm	50	50
Tool holder		SDS Plus®	SDS Plus®
Collar diameter	mm	43	43
Weight	kg	2.3	2.3

### Definitions: Safety Guidelines

The definitions below describe the level of severity for each signal word. Please read the manual and pay attention to these symbols.



**DANGER:** Indicates an imminently hazardous situation which, if not avoided, **will** result in **death or serious injury**.



**WARNING:** Indicates a potentially hazardous situation which, if not avoided, **could** result in **death or serious injury**.



**CAUTION:** Indicates a potentially hazardous situation which, if not avoided, **may** result in **minor or moderate injury**.

**NOTICE:** Indicates a practice **not related to personal injury** which, if not avoided, **may** result in **property damage**.



Denotes risk of electric shock.



Denotes risk of fire.



**WARNING:** To reduce the risk of injury, read the instruction manual.

### General Power Tool Safety Warnings



**WARNING! Read all safety warnings and instructions** Failure to follow the warnings and instructions may result in electric shock, fire and/or serious injury.

#### SAVE ALL WARNINGS AND INSTRUCTIONS FOR FUTURE REFERENCE

The term "power tool" in the warnings refers to your mains-operated (corded) power tool or battery-operated (cordless) power tool.

#### 1) WORK AREA SAFETY

- Keep work area clean and well lit.** Cluttered or dark areas invite accidents.
- Do not operate power tools in explosive atmospheres, such as in the presence of flammable liquids, gases or dust.** Power tools create sparks which may ignite the dust or fumes.
- Keep children and bystanders away while operating a power tool.** Distractions can cause you to lose control.

#### 2) ELECTRICAL SAFETY

- Power tool plugs must match the outlet. Never modify the plug in any way. Do not use any adapter plugs with earthed (grounded) power tools.** Unmodified plugs and matching outlets will reduce risk of electric shock.
- Avoid body contact with earthed or grounded surfaces such as pipes, radiators, ranges and refrigerators.** There is an increased risk of electric shock if your body is earthed or grounded.
- Do not expose power tools to rain or wet conditions.** Water entering a power tool will increase the risk of electric shock.

## ENGLISH

---

- d) **Do not abuse the cord. Never use the cord for carrying, pulling or unplugging the power tool. Keep cord away from heat, oil, sharp edges or moving parts.** Damaged or entangled cords increase the risk of electric shock.
- e) **When operating a power tool outdoors, use an extension cord suitable for outdoor use.** Use of a cord suitable for outdoor use reduces the risk of electric shock.
- f) **If operating a power tool in a damp location is unavoidable, use a residual current device (RCD) protected supply.** Use of an RCD reduces the risk of electric shock.

### 3) PERSONAL SAFETY

- a) **Stay alert, watch what you are doing and use common sense when operating a power tool. Do not use a power tool while you are tired or under the influence of drugs, alcohol or medication.** A moment of inattention while operating power tools may result in serious personal injury.
- b) **Use personal protective equipment. Always wear eye protection.** Protective equipment such as dust mask, non-skid safety shoes, hard hat, or hearing protection used for appropriate conditions will reduce personal injuries.
- c) **Prevent unintentional starting. Ensure the switch is in the off position before connecting to power source and/or battery pack, picking up or carrying the tool.** Carrying power tools with your finger on the switch or energising power tools that have the switch on invites accidents.
- d) **Remove any adjusting key or wrench before turning the power tool on.** A wrench or a key left attached to a rotating part of the power tool may result in personal injury.
- e) **Do not overreach. Keep proper footing and balance at all times.** This enables better control of the power tool in unexpected situations.
- f) **Dress properly. Do not wear loose clothing or jewellery. Keep your hair, clothing and gloves away from moving parts.** Loose clothes, jewellery or long hair can be caught in moving parts.
- g) **If devices are provided for the connection of dust extraction and collection facilities, ensure these are connected and properly used.** Use of dust collection can reduce dust-related hazards.

### 4) POWER TOOL USE AND CARE

- a) **Do not force the power tool. Use the correct power tool for your application.** The correct power tool will do the job better and safer at the rate for which it was designed.
- b) **Do not use the power tool if the switch does not turn it on and off.** Any power tool that cannot be controlled with the switch is dangerous and must be repaired.
- c) **Disconnect the plug from the power source and/or the battery pack from the power tool before making any adjustments, changing accessories, or storing power tools.** Such preventive safety measures reduce the risk of starting the power tool accidentally.
- d) **Store idle power tools out of the reach of children and do not allow persons unfamiliar with the power tool or these instructions to operate the power tool.** Power tools are dangerous in the hands of untrained users.
- e) **Maintain power tools. Check for misalignment or binding of moving parts, breakage of parts and any other condition that may affect the power tool's operation. If damaged, have the power tool repaired before use.** Many accidents are caused by poorly maintained power tools.
- f) **Keep cutting tools sharp and clean.** Properly maintained cutting tools with sharp cutting edges are less likely to bind and are easier to control.
- g) **Use the power tool, accessories and tool bits etc., in accordance with these instructions taking into account the working conditions and the work to be performed.** Use of the power tool for operations different from those intended could result in a hazardous situation.

### 5) SERVICE

- a) **Have your power tool serviced by a qualified repair person using only identical replacement parts.** This will ensure that the safety of the power tool is maintained.

### Additional Specific Safety Rules for Rotary Hammers

- **Wear ear protectors.** Exposure to noise can cause hearing loss.
- **Use auxiliary handles supplied with the tool.** Loss of control can cause personal injury.

- **Hold power tools by insulated gripping surfaces when performing an operation where the cutting tool may contact hidden wiring or its own cord.** Contact with a "live" wire will make exposed metal parts of the tool "live" and shock the operator.
- **Use clamps or other practical way to secure and support the workpiece to a stable platform.** Holding the work by hand or against your body is unstable and may lead to loss of control.
- **Wear safety goggles or other eye protection.** Hammering operations cause chips to fly. Flying particles can cause permanent eye damage. Wear a dust mask or respirator for applications that generate dust. Ear protection may be required for most applications.
- **Keep a firm grip on the tool at all times. Do not attempt to operate this tool without holding it with both hands.** It is recommended that the side handle be used at all times. Operating this tool with one hand will result in loss of control. Breaking through or encountering hard materials such as re-bar may be hazardous as well. Tighten the side handle securely before use.
- **Do not operate this tool for long periods of time.** Vibration caused by hammer action may be harmful to your hands and arms. Use gloves to provide extra cushion and limit exposure by taking frequent rest periods.
- **Do not recondition bits yourself.** Chisel reconditioning should be done by an authorized specialist. Improperly reconditioned chisels could cause injury.
- **Wear gloves when operating tool or changing bits.** Accessible metal parts on the tool and bits may get extremely hot during operation. Small bits of broken material may damage bare hands.
- **Never lay the tool down until the bit has come to a complete stop.** Moving bits could cause injury.
- **Do not strike jammed bits with a hammer to dislodge them.** Fragments of metal or material chips could dislodge and cause injury.
- **Slightly worn chisels can be resharpened by grinding.**
- **Keep the power cord away from the rotating bit. Do not wrap the cord around any part of your body.** An electric cord wrapped around a spinning bit may cause personal injury and loss of control.

## Residual Risks

The following risks are inherent to the use of rotary hammers:

- Injuries caused by touching the rotating parts or hot parts of the tool.

In spite of the application of the relevant safety regulations and the implementation of safety devices, certain residual risks cannot be avoided. These are:

- Impairment of hearing.
- Risk of squeezing fingers when changing the accessory.
- Health hazards caused by breathing dust developed when working in concrete and/or masonry.

## Markings on Tool

The following pictograms are shown on the tool:



Read instruction manual before use.



Wear ear protection.



Wear eye protection.

### DATE CODE POSITION (FIG. 1)

The Date Code (k), which also includes the year of manufacture, is printed into the housing.

Example:

2014 XX XX

Year of Manufacture

## Package Contents

The package contains:

- 1 Heavy-duty rotary hammer
- 1 Side handle
- 1 Depth adjustment rod
- 1 Kitbox (K models only)
- 1 SDS Plus® chuck adapter (C models only)
- 1 Chuck (C models only)
- 1 Instruction manual
- 1 Exploded drawing
- Check for damage to the tool, parts or accessories which may have occurred during transport.

## ENGLISH

- Take the time to thoroughly read and understand this manual prior to operation.

### Description (fig. 1)



**WARNING:** Never modify the power tool or any part of it. Damage or personal injury could result.

- Variable speed trigger switch
- Main handle
- Side handle
- Depth rod
- SDS Plus® chuck
- Mode selector button
- Mode selector
- Reversing lever
- Lock-on button
- Depth rod release button

### INTENDED USE

These heavy-duty rotary hammers have been designed for professional drilling and hammerdrilling, screwdriving and light chipping

**DO NOT** use under wet conditions or in presence of flammable liquids or gases.

These rotary hammers are professional power tools.

**DO NOT** let children come into contact with the tool. Supervision is required when inexperienced operators use this tool.

- This product is not intended for use by persons (including children) suffering from diminished physical, sensory or mental abilities; lack of experience, knowledge or skills unless they are supervised by a person responsible for their safety. Children should never be left alone with this product.

### Electrical Safety

The electric motor has been designed for one voltage only. Always check that the power supply corresponds to the voltage on the rating plate.



Your DEWALT tool is double insulated in accordance with EN 60745; therefore no earth wire is required.



**WARNING:** 127 V units have to be operated via a fail-safe isolating transformer with an earth screen between the primary and secondary winding.

If the supply cord is damaged, it must be replaced by a specially prepared cord available through the DEWALT service organisation.

### Mains Plug Replacement (Middle East and Africa)

If a new mains plug needs to be fitted:

- Safely dispose of the old plug.
- Connect the brown lead to the live terminal in the plug.
- Connect the blue lead to the neutral terminal.



**WARNING:** No connection is to be made to the earth terminal.

Follow the fitting instructions supplied with good quality plugs. Recommended fuse: 13 A.

### Using an Extension Cable

If an extension cable is required, use an approved extension cable suitable for the power input of this tool (see **technical data**). The minimum conductor size is 1.5 mm<sup>2</sup>.

When using a cable reel, always unwind the cable completely.

### ASSEMBLY AND ADJUSTMENTS



**WARNING:** To reduce the risk of injury, turn unit off and disconnect machine from power source before installing and removing accessories, before adjusting or changing set-ups or when making repairs. Be sure the trigger switch is in the OFF position. An accidental start-up can cause injury.

### Side Handle (fig. 1)



**WARNING:** To reduce the risk of personal injury, **ALWAYS** operate the tool with the side handle properly installed and securely tightened. Failure to do so may result in the side handle slipping during tool operation and subsequent loss of control. Hold tool with both hands to maximize control.

A side handle comes assembled with this rotary hammer. The side handle (c) can be fitted to suit both right-hand and left-hand users.

#### TO ADJUST THE SIDE HANDLE

1. Loosen the side handle (c) by turning it counterclockwise.



2. Rotate the side handle to the desired position.
3. Tighten the side handle by turning it clockwise.

**TO CHANGE SIDES**

*For right-hand users:* slide the side handle clamp over the chuck, handle at the left.

*For left-hand users:* slide the side handle clamp over the chuck, handle at the right.

**Reversing Lever (fig. 1)**

The reversing lever (h) is used to reverse the rotary hammer for backing out fasteners or jammed bits in the drill-only function.



**CAUTION:** When reversing to clear jammed bits, be ready for strong reactive torque.

To reverse the rotary hammer, turn it off and align the reversing lever (h) with the yellow arrow pointing backward (viewed when holding drill in operating position).

To position the lever for forward operation, turn the rotary hammer off and align the reversing lever (h) with the yellow arrow pointing forward (viewed when holding drill in operating position).

**Mode Selector (fig. 1, 2)**

**NOTICE:** Tool must come to a complete stop before activating the mode selector button or damage to the tool may result.

1. To select the operating mode, press mode selector button (f) and turn the mode selector (g) so the yellow arrow points to the corresponding symbol.
2. Release the mode selector button and check that the mode selector switch is locked in place.

**NOTE:** The yellow arrow on the mode selector **MUST** be aligned with one of the symbols at all times. There are no operable positions between the positions.

**ROTARY DRILLING MODE**

Use rotary drilling mode for wood, metal, and plastics.

**HAMMERDRILL MODE**

Use this mode for masonry drilling.

**HAMMER-ONLY MODE (D25013 ONLY)**

For light chiseling.

**Inserting and Removing SDS Plus® Accessories (fig. 1)**

**WARNING:** Always wear gloves when you change accessories. The exposed metal parts on the tool and accessory may become extremely hot during operation.



**WARNING:** Do not attempt to tighten or loosen drill bits (or any other accessory) by gripping the front part of the chuck and turning the tool on. Damage to the chuck and personal injury may occur.

This tool uses SDS Plus® accessories. We recommend to use professional accessories only.

To insert bit, insert shank of bit about 19 mm (3/4") into chuck. Push and rotate bit until it locks in place. The bit will be securely held.

To release bit, pull the chuck sleeve (e) back and remove the bit.

**SDS Plus® Chuck (fig. 1)**

**WARNING:** To reduce the risk of serious personal injury, turn tool off and disconnect tool from power source before making any adjustments or removing/installing attachments or accessories.



**WARNING:** Burn Hazard. **ALWAYS** wear gloves when changing bits. Accessible metal parts on the tool and bits may get extremely hot during operation. Small bits of broken material may damage bare hands.



**WARNING:** Do not attempt to tighten or loosen drill bits (or any other accessory) by gripping the front part of the chuck and turning the tool on. Damage to the chuck and personal injury may occur.

To insert bit, insert shank of bit about 19 mm (3/4") into chuck. Push and rotate bit until it locks in place. The bit will be securely held.

To release bit, pull the chuck sleeve (e) back and remove the bit.

**Fitting a Chuck Adapter and Chuck (Sold Separately)**

1. Screw a chuck onto the threaded end of the chuck adapter.

## ENGLISH

2. Insert the connected chuck and adapter in the tool as though it were a standard SDS Plus® bit.
3. To remove the chuck, proceed as for removing a standard SDS Plus® bit.



**WARNING:** Never use standard chucks in the hammer drilling mode.

Consult your dealer for further information on the appropriate accessories.

### Depth Rod (Fig. 4)

#### TO ADJUST THE DEPTH ROD

1. Push in and hold the depth rod release button (j) on the side handle.
2. Move the depth rod (d) so the distance between the end of the rod and the end of the bit equals the desired drilling depth.
3. Release the button to lock rod into position. When drilling with the depth rod, stop when end of rod reaches surface of material.

## OPERATION

### Instructions for Use



**WARNING:** Always observe the safety instructions and applicable regulations.

### Trigger Switch (fig. 1)

To start the rotary hammer, depress the trigger switch (a). To stop rotary hammer, release the switch.

**NOTE:** Use lower speeds for starting holes without a centerpunch, drilling in metal, plastics or ceramics, or driving screws. Higher speeds are better for drilling in masonry for maximum efficiency.

#### VARIABLE SPEED

The variable speed trigger switch (a) permits speed control. The farther the trigger switch is depressed, the higher the speed of the drill.

#### LOCK-ON BUTTON



**WARNING:** Be sure to release the locking mechanism before disconnecting the plug from the power supply. Failure to do so will cause the hammerdrill to start immediately the next time it is plugged in. Damage or personal injury could result.

The lock-on button (i) is for use only when the rotary hammer is stationary, mounted in a drill press stand or for chipping applications.

Before using the tool each time, be sure that the lock-on button release mechanism is working freely. For continuous operation, press and hold the trigger switch (a); press the lock-on button (i); release the trigger switch and then release the lock-on button. The tool will continue to run.

To stop the tool in continuous operation, quickly press and release the trigger switch.

### Proper Hand Position (fig. 1, 3)



**WARNING:** To reduce the risk of serious personal injury, **ALWAYS** use proper hand position as shown.



**WARNING:** To reduce the risk of serious personal injury, **ALWAYS** hold securely in anticipation of a sudden reaction.

Proper hand position requires one hand on the side handle (c), with the other hand on the main handle (b).

### Overload Clutch

If the drill bit becomes jammed or caught, the drive to the drill spindle is interrupted by the overload clutch. Because of the forces that occur as a result, always hold the machine securely with both hands and take a firm stance.

### Drilling Tools

The machine is intended for hammerdrilling in concrete, brick and stone. It is also suitable for drilling without impact in wood, metal, ceramic and plastic.

### Drilling (fig. 1)



**WARNING:** To reduce the risk of serious personal injury, **turn tool off and disconnect tool from power source before making any adjustments or removing/installing attachments or accessories.**



**WARNING:** To reduce the risk of personal injury, **ALWAYS** ensure workpiece is anchored or clamped firmly. If drilling thin material, use a wood "back-up" block to prevent damage to the material.



**WARNING:** To reduce the risk of personal injury, **ALWAYS** operate the tool with the side handle properly installed and securely tightened. Failure to do so may result in the side handle slipping during tool operation and subsequent loss of control. Hold tool with both hands to maximize control.

Depress mode selector button (f) and turn the mode selector (g) to the drill bit symbol for drilling, to the hammer symbol for hammering or to the hammerdrill symbol for hammerdrilling.

#### DRILLING OPERATION

1. For WOOD, use twist bits, spade bits, power auger bits or hole saws. For METAL, use high-speed steel twist drill bits or hole saws. Use a cutting lubricant when drilling metals. The exceptions are cast iron and brass which should be drilled dry. For MASONRY, use carbide-tipped bits or masonry bits. A smooth, even flow of dust indicates the proper drilling rate.
2. Always apply pressure in a straight line with the bit. Use enough pressure to keep the drill bit biting, but do not push hard enough to stall the motor or deflect the bit.
3. Hold tool firmly with both hands to control the twisting action of the drill.



**WARNING:** Drill may stall if overloaded causing a sudden twist. Always expect the stall. Grip the drill firmly with both hands to control the twisting action and avoid injury.

4. **IF DRILL STALLS**, it is usually because it is being overloaded. **RELEASE TRIGGER IMMEDIATELY**, remove drill bit from work, and determine cause of stalling. **DO NOT CLICK TRIGGER OFF AND ON IN AN ATTEMPT TO START A STALLED DRILL – THIS CAN DAMAGE THE DRILL.**
5. To minimize stalling or breaking through the material, reduce pressure on drill and ease the bit through the last fractional part of the hole.
6. Keep the motor running when pulling the bit back out of a drilled hole. This will help prevent jamming.
7. With variable speed drills there is no need to center punch the point to be drilled. Use a slow speed to start the hole and accelerate by squeezing the trigger harder when the hole is deep enough to drill without the bit skipping out.

#### DRILLING IN METAL

An SDS Plus® to round shank adapter chuck is required. Ensure that tool is in drill-only mode. Start drilling with slow speed and increase to full power while applying firm pressure on the tool. A smooth even flow of metal chips indicates the proper drilling rate. Use a cutting lubricant when drilling metals. The exceptions are cast iron and brass which should be drilled dry.

**NOTE:** Large [7.9 mm to 12.7 mm (5/16" to 1/2")] holes in steel can be made easier if a pilot hole [4 mm to 4.8 mm (5/32" to 3/16")] is drilled first.

#### DRILLING IN WOOD

An SDS Plus® to round shank adapter chuck is required. Ensure that tool is in drill-only mode. Start drilling with slow speed and increase to full power while applying firm pressure on the tool. Holes in wood can be made with the same twist drills used for metal. These bits may overheat unless pulled out frequently to clear chips from the flutes. For larger holes, use spade bits, power auger bits, or hole saws. Work that is apt to splinter should be backed up with a block of wood.

#### Screwdriving (fig. 1)

1. Set the mode selector switch (g) to the rotary drilling position.
2. Select the direction of rotation.
3. Insert the special SDS Plus® screwdriving adaptor for use with hexagonal screwdriver bits.
4. Insert the appropriate screwdriver bit. When driving slotted head screws always use bits with a finder sleeve.
5. Gently press the variable speed switch (a) to prevent damage to the screw head. In reverse (LH) rotation the tool speed is automatically reduced for easy screw removal.
6. When the screw is flush with the workpiece, release the variable speed switch to prevent the screw head from penetrating into the workpiece.

#### Hammerdrill Operation

1. When drilling, use just enough force on the hammer to keep it from bouncing excessively or "rising" off the bit. Too much force will cause slower drilling speeds, overheating, and a lower drilling rate.
2. Drill straight, keeping the bit at a right angle to the work. Do not exert side pressure on the bit when drilling as this will cause clogging of the bit flutes and a slower drilling speed.

## ENGLISH

3. When drilling deep holes, if the hammer speed starts to drop off, pull the bit partially out of the hole with the tool still running to help clear debris from the hole.
4. For masonry, use carbide-tipped bits or masonry bits. A smooth even flow of dust indicates the proper drilling rate.

### Chipping and Chiselling (D25013)

1. To switch from hammer drilling to chiselling, first insert the SDS Plus® chisel and check if it is properly locked.
2. When switching from hammer drilling mode to chiselling mode, turn the chisel to the desired position. If you find resistance during mode change, turn the chisel slightly to engage the spindle lock.



#### **WARNING:**

- The hammer is only for light chiselling applications.
- The forward/reverse switch must be in the forward position when chiselling



#### **WARNING:**

- Do not use this tool to mix or pump easily combustible or explosive fluids (benzine, alcohol, etc.).
- Do not mix or stir inflammable liquids labelled accordingly.

Various types of SDS Plus® drill bits and adaptors are available as an option.

Consult your dealer for further information on the appropriate accessories.

### MAINTENANCE

Your DEWALT power tool has been designed to operate over a long period of time with a minimum of maintenance. Continuous satisfactory operation depends upon proper tool care and regular cleaning.



**WARNING: To reduce the risk of injury, turn unit off and disconnect machine from power source before installing and removing accessories, before adjusting or changing set-ups or when making repairs.** Be sure the trigger switch is in the OFF position. An accidental start-up can cause injury.

- This machine is not user-serviceable. Take the tool to an authorised DEWALT repair agent after approximately 40 hours of use. If problems occur before this time contact an authorised DEWALT repair agent.

- The tool will automatically switch off when the carbon brushes are worn.

### Motor Brushes

DEWALT uses an advanced brush system which automatically stops the drill when the brushes wear out. This prevents serious damage to the motor. New brush assemblies are available at authorised DEWALT service centers. Always use identical replacement parts.



### Lubrication

Your power tool requires no additional lubrication.

Accessories and attachments used must be regularly lubricated around the SDS Plus® fitment.



### Cleaning



**WARNING:** Blow dirt and dust out of the main housing with dry air as often as dirt is seen collecting in and around the air vents. Wear approved eye protection and approved dust mask when performing this procedure.



**WARNING:** Never use solvents or other harsh chemicals for cleaning the non-metallic parts of the tool. These chemicals may weaken the materials used in these parts. Use a cloth dampened only with water and mild soap. Never let any liquid get inside the tool; never immerse any part of the tool into a liquid.

### Optional Accessories



**WARNING:** Since accessories, other than those offered by DEWALT, have not been tested with this product, use of such accessories with this tool could be hazardous. To reduce the risk of injury, only DEWALT, recommended accessories should be used with this product.

Various types of SDS Plus® drill bits and chisels are available as an option.

Consult your dealer for further information on the appropriate accessories.

## Protecting the Environment



Separate collection. This product must not be disposed of with normal household waste.

Should you find one day that your DEWALT product needs replacement, or if it is of no further use to you, do not dispose of it with household waste. Make this product available for separate collection.



Separate collection of used products and packaging allows materials to be recycled and used again. Re-use of recycled materials helps prevent environmental pollution and reduces the demand for raw materials.

Local regulations may provide for separate collection of electrical products from the household, at municipal waste sites or by the retailer when you purchase a new product.

DEWALT provides a facility for the collection and recycling of DEWALT products once they have reached the end of their working life. To take advantage of this service please return your product to any authorised repair agent who will collect them on our behalf.

You can check the location of your nearest authorised repair agent by contacting your local DEWALT office at the address indicated in this manual. Alternatively, a list of authorised DEWALT repair agents and full details of our after-sales service and contacts are available on the Internet at: **[www.2helpU.com](http://www.2helpU.com)**.

# MARTEAUX ROTATIFS INDUSTRIELS SDS PLUS®

## D25012, D25013

### Félicitations !

Vous avez choisi un outil DEWALT. Des années d'expertise dans le développement et l'innovation de ses produits ont fait de DEWALT, le partenaire privilégié des utilisateurs professionnels d'outils électriques.

### Fiche technique

		D25012	D25013
Tension	V	220–240	220–240
		127	127
Type		1	1
Puissance absorbée	W	650	650
Vitesse à vide	min <sup>-1</sup>	0–1550	0–1550
Vitesse en charge	min <sup>-1</sup>	0–1130	0–1240
Battements par minute	BPM	0–4150	0–4550
Énergie d'impact			
Martelage-perforage	J	2,4	2,4
Ciselage	J	2,4	2,4
Plage de perçage maximum dans l'acier/bois/béton	mm	13/30/22	13/30/22
Positions de burin		–	41
Capacité de trépanage dans la brique tendre	mm	50	50
Porte-outil		SDS Plus®	SDS Plus®
Diamètre de bague	mm	43	43
Poids	kg	2,3	2,3

### Définitions : consignes de sécurité

Les définitions ci-dessous décrivent le niveau de gravité de chaque mot signalétique. Lisez le manuel de l'utilisateur et soyez attentif à ces symboles.



**DANGER** : indique une situation dangereuse imminente qui, si elle n'est pas évitée, **entraînera des blessures graves ou mortelles**.



**AVERTISSEMENT** : indique une situation dangereuse potentielle qui, si elle n'est pas évitée, **pourrait entraîner des blessures graves ou mortelles**.



**ATTENTION** : indique une situation dangereuse potentielle qui, si elle n'est pas évitée, **pourrait entraîner des blessures minimales ou modérées**.

**AVIS** : indique une pratique ne posant **aucun risque de dommages corporels** mais qui par contre, si rien n'est fait pour l'éviter, **pourrait** poser des **risques de dommages matériels**.



Indique un risque d'électrocution.



Indique un risque d'incendie.



**AVERTISSEMENT** : afin de réduire le risque de blessure, lisez le manuel d'instruction.

### Avertissements de sécurité généraux pour les outils électriques



**AVERTISSEMENT ! Lisez tous les avertissements de sécurité et toutes les consignes.** Le non-respect de ces avertissements et consignes peut entraîner un choc électrique, un incendie et/ou de graves blessures.

#### CONSERVEZ TOUS LES AVERTISSEMENTS ET LES CONSIGNES POUR RÉFÉRENCE ULTÉRIEURE

Le terme « outil électrique » mentionné dans les avertissements se rapporte aux outils branchés sur secteur (avec câble de raccordement) ou fonctionnant sur piles (sans fil).

#### 1) SÉCURITÉ DE L'AIRE DE TRAVAIL

- Maintenez l'aire de travail propre et bien éclairée.** Une aire de travail encombrée ou mal éclairée augmente les risques d'accident.
- N'utilisez pas les outils électriques dans un environnement explosif, comme en présence de liquides, gaz ou poussières inflammables.** Les outils électriques produisent des étincelles qui peuvent enflammer la poussière ou les émanations.
- Tenez à distance enfants et spectateurs pendant que vous opérez un outil électrique.** Une distraction peut vous faire perdre le contrôle de l'outil.

#### 2) SÉCURITÉ ÉLECTRIQUE

- La fiche de l'outil électrique doit correspondre avec la prise de courant. Ne modifiez en aucun cas la fiche. N'utilisez pas de fiches adaptatrices avec des**

**outils électriques reliés à la terre (masse).**

Les fiches non modifiées et les prises de courant adaptées réduisent les risques d'électrocution.

- b) **Évitez tout contact physique avec des surfaces reliées à la terre ou à la masse, tels que tuyaux, radiateurs, cuisinières électriques et réfrigérateurs.** Le risque d'électrocution augmente si votre corps est relié à la terre.
- c) **N'exposez pas les outils électriques à la pluie ou à l'humidité.** Le risque d'électrocution augmente si de l'eau pénètre dans un outil électrique.
- d) **Ne maltraitez pas le cordon d'alimentation. N'utilisez jamais le cordon pour transporter, tirer ou débrancher l'outil électrique. Tenez le cordon à l'écart des sources de chaleur, de l'huile, des bords tranchants ou des pièces en mouvement.** Le risque d'électrocution augmente si le cordon est endommagé ou entortillé.
- e) **Utilisez une rallonge conçue pour l'utilisation à l'extérieur si vous utilisez l'outil électrique dehors.** Le risque d'électrocution diminue si vous utilisez un cordon conçu pour l'utilisation à l'extérieur.
- f) **Si vous ne pouvez pas faire autrement qu'utiliser l'outil électrique dans un endroit humide, utilisez un circuit protégé par dispositif de courant résiduel (RCD).** L'utilisation d'un RCD réduit le risque d'électrocution.

**3) SÉCURITÉ PERSONNELLE**

- a) **Restez vigilant, surveillez vos gestes et faites preuve de bon sens lorsque vous utilisez un outil électrique. N'utilisez pas un outil électrique si vous êtes fatigué ou sous l'influence de drogues, d'alcool ou de médicaments.** Un moment d'inattention durant l'utilisation d'un outil électrique peut entraîner de graves blessures corporelles.
- b) **Utilisez un équipement de sécurité individuelle. Portez toujours des lunettes de sécurité.** Un équipement de sécurité comme un masque anti-poussières, des chaussures de sécurité antidérapantes, un casque de sécurité ou un serre-tête antibruit, utilisés selon la tâche à effectuer, permettront de diminuer le risque de blessures corporelles.
- c) **Évitez tout démarrage intempestif. Assurez-vous que l'interrupteur est en position arrêt avant de relier l'outil à la**

**source d'alimentation et/ou au bloc-piles, ou de ramasser ou transporter l'outil.**

Transporter les outils électriques le doigt placé sur l'interrupteur ainsi que brancher des outils électriques dont l'interrupteur est en position Marche augmentent les risques d'accident.

- d) **Retirez toute clé de réglage ou autre avant de mettre l'outil sous tension.** Une clé laissée en place sur une pièce rotative de l'outil électrique peut entraîner des blessures corporelles.
- e) **Ne vous penchez pas trop loin. Maintenez constamment votre équilibre.** Vous aurez ainsi une meilleure maîtrise de l'outil électrique en cas de situations imprévues.
- f) **Portez des vêtements adéquats. Ne portez pas de vêtements amples ni de bijoux. Maintenez cheveux, vêtements et gants à l'écart des pièces en mouvement.** Les pièces en mouvement peuvent happer les vêtements amples, les bijoux et les cheveux longs.
- g) **Si des accessoires sont fournis pour raccorder des dispositifs d'aspiration et de collecte de la poussière, vérifiez qu'ils sont bien raccordés et bien utilisés.** L'utilisation de dispositifs de collecte de la poussière peut réduire les risques liés à la poussière.

**4) UTILISATION ET ENTRETIEN DES OUTILS ÉLECTRIQUES**

- a) **Ne forcez pas l'outil électrique. Utilisez l'outil électrique qui correspond à votre utilisation.** Si vous utilisez l'outil électrique adéquat et respectez le régime pour lequel il a été conçu, il réalisera un travail de meilleure qualité et plus sûr.
- b) **N'utilisez pas l'outil électrique s'il est impossible de l'allumer ou de l'éteindre avec l'interrupteur.** Un outil électrique qui ne peut être contrôlé par l'interrupteur représente un danger et doit être réparé.
- c) **Débranchez la fiche de la source d'alimentation et/ou le bloc-piles de l'outil électrique avant d'effectuer des réglages, de changer les accessoires ou de ranger les outils électriques.** Ces mesures de sécurité préventives réduiront les risques de démarrage accidentel de l'outil électrique.
- d) **Après utilisation, rangez l'outil électrique hors de portée des enfants et ne laissez aucune personne l'utiliser si elle n'est pas familiarisée avec les outils électriques ou ces instructions.** Les outils électriques représentent un danger entre des mains inexpertes.

- e) **Procédez à l'entretien des outils électriques.** Assurez-vous que les pièces en mouvement ne sont pas désalignées ou coincées, qu'aucune pièce n'est cassée ou que l'outil électrique n'a subi aucun dommage pouvant affecter son bon fonctionnement. Si l'outil électrique est endommagé, faites-le réparer avant de le réutiliser. De nombreux accidents sont causés par des outils mal entretenus.
- f) **Maintenez vos outils affûtés et propres.** Un outil bien entretenu et aux bords bien affûtés risquera moins de se coincer et sera plus facile à maîtriser.
- g) **Utilisez l'outil électrique, ses accessoires et ses embouts, etc. conformément aux instructions, en tenant compte des conditions de travail et de la tâche à effectuer.** L'utilisation d'un outil électrique à des fins autres que celles prévues est potentiellement dangereuse.

#### 5) RÉPARATION

- a) **Confiez la réparation de votre outil électrique à un réparateur qualifié qui utilise des pièces de rechange identiques.** La sécurité de l'outil électrique sera ainsi préservée.

### Règles de sécurité particulières additionnelles propres aux marteaux rotatifs

- **Porter un dispositif de protection auditif.** Le bruit en résultant pourrait occasionner une perte de l'acuité auditive.
- **Utiliser la poignée auxiliaire fournie avec l'outil.** Une perte de contrôle de l'outil pourrait occasionner des dommages corporels.
- **Tenir l'outil par les surfaces isolées prévues à cet effet pendant toute utilisation où l'organe de coupe pourrait entrer en contact avec des fils électriques cachés ou son propre cordon.** Tout contact avec un fil sous tension met les parties métalliques exposées de l'outil sous tension et électrocute l'utilisateur.
- **Utiliser des serre-joints, ou tout autre moyen, pour fixer et immobiliser le matériau sur une surface stable.** Tenir la pièce à la main ou contre son corps offre une stabilité insuffisante qui pourrait vous en faire perdre le contrôle.
- **Porter des lunettes de protection ou tout autre dispositif de protection oculaire.** Le martelage produit des particules volantes. Ces particules peuvent causer des dommages

oculaires permanents. Porter un masque anti-poussières ou un appareil de protection des voies respiratoires pour toute application productrice de poussières. Une protection auditive peut s'avérer nécessaire pour la plupart des applications.

- **Maintenir systématiquement l'outil fermement. Ne pas tenter d'utiliser cet outil sans le maintenir à deux mains.** Il est recommandé d'utiliser systématiquement la poignée latérale. Le fait d'utiliser cet outil à une main pourra vous en faire perdre le contrôle. Traverser ou rencontrer des matériaux durs comme les armatures peut aussi s'avérer dangereux. Arrimer soigneusement la poignée latérale avant toute utilisation.
- **Ne pas utiliser cet outil pendant des périodes prolongées.** Les vibrations causées par l'action du marteau peuvent être dangereuses pour les mains ou les bras. Porter des gants pour amortir les vibrations, et pour limiter les risques, faire des pauses fréquentes.
- **Ne pas remettre à neuf les forets soi-même.** La remise à neuf de tout burin doit être effectuée par un spécialiste agréé. Tout burin remis à neuf incorrectement pose des risques de dommages corporels.
- **Porter des gants lors de l'utilisation de l'outil ou le changement de burin.** Les parties métalliques accessibles de l'outil et des burins pourraient s'avérer brûlantes pendant l'utilisation. De petits débris de matériau pourraient blesser les mains nues.
- **Attendre systématiquement l'arrêt complet de la mèche/burin avant de déposer l'outil où que ce soit.** Des burins/mèches en rotation posent des risques de dommages corporels.
- **Ne pas asséner des coups de marteau sur des burins coincés pour les déloger.** Des fragments de métal ou de matériau pourraient être éjectés et causer des dommages corporels.
- **Les burins légèrement usés peuvent être réaffûtés.**
- **Maintenir le cordon d'alimentation à l'écart d'une mèche en rotation. Ne pas enrouler le cordon autour d'une partie quelconque de votre corps.** Un cordon électrique enroulé autour d'un burin en rotation pose des risques de dommages corporels et de la perte de contrôle de l'outil.



## Risques résiduels

Les risques suivants sont inhérents à l'utilisation des marteaux rotatifs :

- Dommages corporels par contact avec les pièces rotatives ou des parties brûlantes de l'outil.

En dépit de l'application des normes de sécurité en vigueur et de l'installation de dispositifs de sécurité, certains risques résiduels sont inévitables. Ce sont :

- Diminution de l'acuité auditive.
- Risques de se pincer les doigts lors du changement d'accessoires.
- Risques pour la santé causés par la respiration de poussières dégagées lors du travail sur béton et/ou maçonnerie.

## Étiquettes sur l'appareil

On trouve les diagrammes suivants sur l'appareil :



Lire la notice d'instructions avant toute utilisation.



Porter un dispositif de protection auditive.



Porter des lunettes de protection.

## EMPLACEMENT DE LA DATE CODÉE DE FABRICATION (FIG. 1)

La date codée de fabrication (k), qui comprend aussi l'année de fabrication, est imprimée sur le boîtier.

Exemple :

2014 XX XX  
Année de fabrication

## Contenu de l'emballage

Ce carton comprend :

- 1 Marteau rotatif industriel
- 1 Poignée latérale
- 1 Tige de réglage de profondeur
- 1 Coffret (modèles K seulement)
- 1 Adaptateur à mandrin SDS Plus® (modèle C seulement)
- 1 Mandrin (modèles C seulement)
- 1 Notice d'instructions
- 1 Dessin éclaté

- Vérifier que l'appareil et ses pièces ou accessoires n'ont pas été endommagés lors du transport.
- Prendre le temps de lire attentivement et comprendre cette notice d'instructions avant toute utilisation de l'appareil.

## Description (fig. 1)



**AVERTISSEMENT** : Ne jamais modifier l'outil électrique ni aucun de ses composants. Il y a risques de dommages corporels ou matériels.

- Gâchette à vitesse variable
- Poignée principale
- Poignée latérale
- Tige de profondeur
- Mandrin SDS Plus®
- Bouton sélecteur de mode
- Sélecteur de mode
- Levier d'inversion
- Bouton de verrouillage en position de marche
- Bouton de dégagement de la tige de profondeur

## UTILISATION PRÉVUE

Ces marteaux rotatifs industriels ont été conçus pour le perçage, le martelage, le vissage et le ciselage léger professionnels.

**NE PAS** les utiliser en milieu humide ou en présence de gaz ou de liquides inflammables.

Ces marteaux rotatifs sont des outils de professionnels.

**NE PAS** les laisser à la portée des enfants. Une supervision est nécessaire auprès de tout utilisateur non expérimenté.

- Ce produit n'est pas prévu pour être utilisé par des personnes (y compris les enfants) dont les capacités physiques, sensorielles ou mentales sont réduites ou qui manquent d'expérience ou d'aptitudes, sauf si ces personnes sont surveillées par une autre personne responsable de leur sécurité. Ne jamais laisser les enfants seuls avec ce produit.

## Sécurité électrique

Le moteur électrique a été conçu pour fonctionner sur une tension unique. Vérifier systématiquement que la tension du secteur correspond bien à la tension indiquée sur la plaque signalétique.



Votre outil DEWALT à double isolation est conforme à la norme EN 60745 ; un branchement à la terre n'est donc pas nécessaire.



**AVERTISSEMENT** : les appareils à 127 V doivent être utilisés avec des transformateurs d'isolation à l'épreuve des pannes doté d'un écran de terre entre l'enroulement primaire et secondaire.

Si le cordon fourni est endommagé, le remplacer par un cordon spécialement conçu à cet effet, et disponible auprès du service après-vente DEWALT.



Toujours utiliser la fiche prescrite lors du remplacement du câble d'alimentation.

Type 11 pour la classe II (Isolation double) – outils

Type 12 pour la classe I (Conducteur de terre) – outils



En cas d'utilisation à l'extérieur, connecter les outils portatifs à un disjoncteur FI.

## Remplacement de la fiche d'alimentation (Moyen-Orient et Afrique)

Si une nouvelle fiche d'alimentation doit être montée :

- Mettre soigneusement au rebut l'ancienne fiche.
- Raccorder le fil marron à la borne de phase dans la fiche.
- Raccorder le fil bleu à la borne de neutre.



**AVERTISSEMENT** : aucun branchement ne doit être fait à la borne de terre.

Suivez les instructions de montage fournies avec des fiches de bonne qualité. Fusible recommandé : 13 A.

## Utilisation d'une rallonge

Si une rallonge s'avère nécessaire, utiliser une rallonge homologuée et compatible avec la tension nominale de cet outil (se reporter à la section **Caractéristiques techniques**). La section minimale du conducteur est de 1,5 mm<sup>2</sup> pour une longueur maximale de 30 m.

En cas d'utilisation d'un dévidoir, dérouler systématiquement le câble sur toute sa longueur.

## MONTAGE ET RÉGLAGES



**AVERTISSEMENT** : pour réduire tout risque de dommages corporels, arrêter l'outil et débrancher l'appareil du secteur avant d'installer ou retirer tout accessoire, avant tout réglage ou changement de configuration ou lors de réparations. S'assurer que la gâchette est bien en position d'ARRÊT. Un démarrage accidentel pourrait causer des dommages corporels.

## Poignée latérale (fig. 1)



**AVERTISSEMENT** : pour réduire tout risque de dommages corporels, utiliser **SYSTÉMATIQUEMENT** l'outil avec sa poignée latérale correctement installée et fermement arrimée. Tout manquement à cette directive pourrait faire que la poignée latérale glisse pendant l'utilisation de l'outil et entraîner la perte du contrôle de celui-ci. Maintenir l'outil fermement à deux mains pour un contrôle maximum.

Ce marteau rotatif est équipé d'usine d'une poignée latérale. La poignée latérale (c) peut être installée pour pouvoir servir à un droitier ou à un gaucher.

### INSTALLATION DE LA POIGNÉE LATÉRALE

1. Desserrez la poignée latérale (c) en la faisant tourner vers la gauche.
2. Faites tourner la poignée latérale sur la position désirée.
3. Resserrez la poignée latérale en la faisant tourner vers la droite.

### POUR CHANGER DE CÔTÉ

*Pour les droitiers* : insérez le dispositif de fixation de la poignée latérale sur le mandrin, avec la poignée à gauche.

*Pour les gauchers* : insérez le dispositif de fixation de la poignée latérale sur le mandrin, avec la poignée à droite.

## Levier D'inversion (Fig. 1)

Le levier d'inversion (h) est utilisé pour inverser la direction du marteau rotatif pour retirer des attaches ou des forets coincés en mode perçage seulement.



**ATTENTION** : se protéger de tout retour de couple au moment d'inverser un foret coincé.

Pour inverser le marteau rotatif, arrêtez-le puis alignez le levier d'inversion (h) sur la flèche jaune pointée vers l'arrière (alors que l'on tient l'outil en position de perçage).

Pour mettre le levier en marche avant, arrêtez le marteau rotatif puis alignez le levier d'inversion (h) sur la flèche jaune pointée vers l'avant (alors que l'on tient l'outil en position de perçage).

### Sélecteur de mode (fig. 1, 2)

**AVIS :** Pour prévenir tout dommage matériel, attendre l'arrêt complet de l'outil avant d'activer le bouton sélecteur de mode.

1. Pour sélectionner le mode d'utilisation, appuyez sur le bouton sélecteur de mode (f) puis tournez le sélecteur de mode (g) pour ajuster la flèche jaune sur le symbole désiré.
2. Libérez le bouton sélecteur de mode et vérifiez que le sélecteur de mode est bien verrouillé en place.

**REMARQUE :** La flèche jaune sur le sélecteur de mode **DOIT** constamment être alignée sur l'un des symboles. Il n'existe aucune position d'utilisation entre les symboles.



#### MODE PERÇAGE ROTATIF

Utilisez le mode perçage rotatif pour le bois, le métal, et les plastiques.



#### MODE MARTEAU-PERFORATEUR

Utilisez ce mode pour percer la maçonnerie.



#### MODE MARTELAGE SEULEMENT (D25013 SEULEMENT)

Pour le ciselage léger.

### Insertion et retrait d'accessoires SDS Plus® (fig. 1)



**AVERTISSEMENT :** utiliser systématiquement de gants pour changer d'accessoires. Les parties métalliques exposées sur l'outil et l'accessoire peuvent devenir extrêmement brûlantes pendant l'utilisation.



**AVERTISSEMENT :** ne pas essayer de resserrer ou desserrer les mèches (ou tout autre accessoire) en agrippant la partie avant du mandrin tout en mettant l'outil en marche. Cela pourrait endommager le mandrin et poser des risques de dommages corporels.

Cet outil utilise des accessoires SDS Plus®. Il est recommandé d'utiliser exclusivement des accessoires de professionnels.

Pour insérer une mèche, insérez la tige de mèche sur environ 19 mm (3/4") dans le mandrin. Poussez et faites tourner la mèche jusqu'à ce qu'elle se verrouille en place. La mèche sera maintenue fermement.

Pour libérer la mèche, tirez le manchon (e) du mandrin vers l'arrière puis retirez la mèche.

### Mandrin SDS Plus® (fig. 1)



**AVERTISSEMENT :** pour réduire tout risque de dommages corporels graves, arrêter et débrancher l'outil avant tout réglage ou avant de retirer ou installer toute pièce ou tout accessoire.



**AVERTISSEMENT :** risques de brûlures. Utiliser **SYSTÉMATIQUEMENT** des gants pour changer la mèche. Les parties métalliques accessibles de l'outil et des burins pourraient s'avérer brûlantes lors de l'utilisation. De petits débris de matériau pourraient aussi blesser les mains nues.



**AVERTISSEMENT :** ne pas essayer de resserrer ou desserrer les mèches (ou tout autre accessoire) en agrippant la partie avant du mandrin tout en mettant l'outil en marche. Cela pourrait endommager le mandrin et poser des risques de dommages corporels.

Pour insérer une mèche, insérez la tige de mèche sur environ 19 mm (3/4") dans le mandrin. Poussez et faites tourner la mèche jusqu'à ce qu'elle se verrouille en place. La mèche sera maintenue fermement.

Pour libérer la mèche, tirez le manchon (e) du mandrin vers l'arrière puis retirez la mèche.

### Installation de l'adaptateur de mandrin et du mandrin (vendus séparément)

1. Vissez le mandrin sur l'embout taraudé de l'adaptateur de mandrin.
2. Insérez le dispositif mandrin/adaptateur sur l'outil comme si c'était un accessoire standard SDS Plus®.
3. Pour retirer le mandrin, suivez la même procédure que pour retirer un accessoire standard SDS Plus®.



**AVERTISSEMENT** : ne jamais utiliser de mandrins standards en mode martelage-perforage.

Veillez consulter votre concessionnaire pour plus d'informations sur les accessoires appropriés.

## Tige de profondeur (Fig. 4)

### POUR RÉGLER LA TIGE DE PROFONDEUR :

1. Maintenez appuyé le bouton de dégagement (j) de la tige de profondeur sur la poignée latérale.
2. Déplacez la tige de profondeur (d) de façon à ce que la distance entre le bout de la tige et l'embout de mèche soit égale à la profondeur de perçage désirée.
3. Relâchez le bouton pour verrouiller la tige en position. Lorsque la tige de profondeur est utilisée pour le perçage, arrêtez l'outil lorsque le bout de la tige entre en contact avec la surface du matériau.

## FONCTIONNEMENT

### Consignes d'utilisation



**AVERTISSEMENT** : respecter systématiquement les consignes de sécurité et les normes en vigueur.

### Gâchette (fig. 1)

Pour mettre le marteau rotatif en marche, appuyez sur la gâchette (a). Pour arrêter le marteau rotatif, relâchez la gâchette.

**REMARQUE** : Utiliser une vitesse réduite pour commencer un trou sans pointeau, pour percer le métal, les plastiques ou la céramique, ou enfoncer des vis. Les vitesses élevées sont recommandées pour percer la maçonnerie avec un maximum d'efficacité.

### VITESSE VARIABLE

La gâchette à vitesse variable (a) permet de contrôler la vitesse. Plus on appuie sur la gâchette, plus la vitesse de la perceuse est grande.

### BOUTON DE VERROUILLAGE EN POSITION DE MARCHÉ



**AVERTISSEMENT** : s'assurer de bien relâcher le mécanisme de verrouillage avant de débrancher la fiche du secteur. Dans le cas contraire, le marteau-perforateur démarrera immédiatement lorsqu'il sera rebranché, et cela posera des risques de dommages corporels ou matériels.

Le bouton de verrouillage en position de marche (i) est utilisé seulement lorsque le marteau rotatif est fixe, monté sur un socle pour perceuse à colonne ou pour des applications de burinage.

Avant chaque utilisation, assurez-vous que le mécanisme de libération du bouton de verrouillage en position de marche fonctionne correctement.

Pour un travail continu, maintenez la gâchette (a) appuyée ; appuyez sur le bouton de verrouillage en position de marche (i) ; relâchez la gâchette puis le bouton de verrouillage en position de marche. L'outil continuera de fonctionner,

Pour arrêter l'outil en mode continu, appuyez puis relâchez rapidement la gâchette.

### Position correcte des mains (fig. 1, 3)



**AVERTISSEMENT** : pour réduire tout risque de dommages corporels graves, adopter **SYSTÉMATIQUEMENT** la position des mains illustrée.



**AVERTISSEMENT** : pour réduire tout risque de dommages corporels graves, maintenir fermement et **SYSTÉMATIQUEMENT** l'outil pour anticiper toute réaction soudaine de sa part.

La position correcte des mains requiert une main sur la poignée latérale (c), et l'autre sur la poignée principale (b).

### Limiteur de couple

Si le foret venait à se coincer ou à s'enrayer, la course de la broche sera interrompue par le limiteur de couple. Pour contrer les forces en résultant, maintenez systématiquement l'outil fermement à deux mains avec les pieds bien ancrés au sol.

### Outil de perçage

Cet outil a été conçu pour le martelage-perforage du béton, de la brique et de la pierre. Il peut aussi servir à percer sans percussion le bois, le métal, la céramique et le plastique.

### Perçage (fig. 1)



**AVERTISSEMENT** : pour réduire tout risque de dommages corporels graves, arrêter et débrancher l'outil avant tout réglage ou avant de retirer ou installer toute pièce ou tout accessoire.



**AVERTISSEMENT : pour réduire tout risque de dommages corporels, s'assurer **SYSTÉMATIQUEMENT** que la pièce est ancrée ou arrimée solidement. Pour percer des matériaux fins, utiliser un morceau de bois « de renfort » pour éviter de les endommager.**



**AVERTISSEMENT : Pour réduire tout risque de dommages corporels, utiliser **SYSTÉMATIQUEMENT** l'outil avec sa poignée latérale correctement installée et fermement arrimée. Tout manquement à cette directive pourrait faire que la poignée latérale glisse pendant l'utilisation de l'outil et entraîner la perte du contrôle de celui-ci. Maintenir l'outil fermement à deux mains pour un contrôle maximum.**

Appuyez sur le bouton sélecteur de mode (f) puis tournez le sélecteur de mode (g) sur le symbole foret pour le perçage, sur le symbole marteau pour le martelage ou le symbole marteau-perforateur pour le martelage à percussion.

#### PERÇAGE GÉNÉRAL

1. Pour le BOIS, utilisez : mèche hélicoïdale, foret à trois pointes, mèche torsadée ou emporte-pièce. Pour le MÉTAL, utilisez : mèche hélicoïdale en acier ou emporte-pièce. Utilisez un lubrifiant de coupe pour percer les métaux, à l'exception de la fonte et du laiton qui doivent être percés à sec. Pour la MAÇONNERIE, utilisez des mèches au carbure ou des mèches à maçonnerie. Un jet fluide et régulier de débris sera indicateur d'une vitesse adéquate.
2. Appliquez systématiquement une certaine pression sur la mèche tout en restant dans l'alignement. Utilisez assez de pression pour que le foret avance, mais sans pousser trop fort pour éviter de bloquer le moteur ou dévier la mèche.
3. Maintenez fermement l'outil à deux mains pour contrôler toute action de torsion de la perceuse.



**AVERTISSEMENT : la perceuse peut caler si on la force et causer une torsion. S'attendre systématiquement à un blocage. Maintenir fermement la perceuse à deux mains pour contrôler toute torsion et éviter tout risque de dommages corporels.**

4. **SI LA PERCEUSE CALE**, c'est en général parce qu'elle est surchargée. **RELÂCHEZ ALORS LA GÂCHETTE IMMÉDIATEMENT**, retirez le foret de la pièce puis déterminez quelle est la cause du blocage. **N'APPUYEZ PAS**

#### RÉPÉTITIVEMENT SUR LA GÂCHETTE POUR TENTER DE REDÉMARRER UNE PERCEUSE BLOQUÉE. CELA POURRAIT ENDOMMAGER LA PERCEUSE.

5. Pour minimiser tout blocage ou rupture du matériau, réduisez la pression sur la perceuse pour faciliter le passage de la mèche dans la partie finale du trou.
6. Laissez le moteur en marche alors que vous retirez la mèche du trou pour éviter tout grippage.
7. Les pointeaux sont inutiles lorsqu'on utilise une perceuse à vitesse variable. Utilisez une vitesse réduite pour commencer un trou, puis accélérez en appuyant plus fort sur la gâchette lorsque le trou est assez profond pour que la mèche ne ressorte pas.

#### PERÇAGE DU MÉTAL

Un adaptateur de mandrin à tige ronde SDS Plus® est nécessaire. Assurez-vous que l'outil est en mode perçage seulement. Commencez à percer lentement puis augmentez la vitesse à son maximum en appliquant une pression ferme sur l'outil. Un jet fluide et régulier de débris métalliques sera indicateur d'une vitesse adéquate. Utilisez un lubrifiant de coupe pour percer les métaux, à l'exception de la fonte et du laiton qui doivent être percés à sec.

**REMARQUE :** Les trous larges [de 7,9 mm à 12,7 mm (de 5/16" à 1/2")] dans l'acier peuvent être facilités si l'on perce d'abord un trou pilote [4 mm à 4,8 mm (5/32" à 3/16")].

#### PERÇAGE DU BOIS

Un adaptateur de mandrin à tige ronde SDS Plus® est nécessaire. Assurez-vous que l'outil est en mode perçage seulement. Commencez à percer lentement puis augmentez la vitesse à son maximum en appliquant une pression ferme sur l'outil. Les trous dans le bois peuvent être faits avec des mèches hélicoïdales identiques à celles utilisées pour le métal. Ces mèches peuvent surchauffer si on ne les sort pas fréquemment pour éliminer les débris. Pour des trous plus larges, utilisez : foret à trois pointes, mèche torsadée ou emporte-pièce. Doublez les pièces qui pourraient éclater avec un bloc de bois.

#### Vissage (fig. 1)

1. Réglez le sélecteur de mode (g) sur la position « perçage rotatif ».
2. Sélectionnez la direction de rotation.
3. Insérez l'adaptateur à visser SDS Plus® pour l'utiliser avec des embouts de tournevis hexagonaux.

## FRANÇAIS

4. Insérez l'embout tournevis approprié. Pour enfoncer des vis à tête fendue utilisez systématiquement des embouts avec un manchon de guidage.
5. Appuyez légèrement sur l'interrupteur à vitesse variable (a) pour éviter d'endommager la tête de vis. En rotation arrière (g), la vitesse de l'outil est automatiquement réduite pour faciliter le retrait de la vis.
6. Lorsque la vis est au raz de la pièce à travailler, relâchez l'interrupteur à vitesse variable pour éviter que la tête de vis ne pénètre dans la pièce.

## Martelage-perforage

1. Pour percer, utilisez juste assez de force pour empêcher le marteau de tressauter excessivement ou sortir du trou. Un excès de force ralentira la vitesse de perçage, entraînera surchauffe et réduira le rendement.
2. Percer droit devant vous, en maintenant la mèche à un angle droit. N'exercez aucune pression latérale sur la mèche pendant le perçage, car cela encrasserait la mèche et ralentirait la vitesse de perforation.
3. Pour percer des trous profonds, si le marteau venait à perdre de la vitesse, sortez la mèche partiellement du trou alors que l'outil continue de tourner pour éliminer les débris du trou.
4. Pour la maçonnerie, utilisez des mèches au carbure ou des mèches à maçonnerie. Un jet fluide et régulier de débris sera indicateur d'une vitesse adéquate.

## Burinage et rainurage (D25013)

1. Pour passer du mode de perçage avec percussion au mode de burinage, introduire d'abord un burin SDS Plus® et vérifier son blocage.
2. Ensuite, il convient de tourner le burin dans la position souhaitée. Si une résistance excessive se produit durant le changement de mode, tourner légèrement le burin pour engager le blocage de la rotation.



### AVERTISSEMENT :

- *Cet outil convient uniquement pour travaux de burinage légers.*
- *Pour travaux de burinage, le sélecteur de rotation gauche/droite doit être en position droite.*



### AVERTISSEMENT :

- *Ne pas utiliser cet outil pour mélanger ou pomper des liquides inflammables ou explosifs tels que l'essence, l'alcool, etc.*
- *Ne pas malaxer ou agiter des liquides inflammables marqués en conséquence.*

Plusieurs types d'embouts et d'adaptateurs de vissage SDS Plus® sont disponibles en option.

Votre revendeur pourra vous renseigner sur les accessoires qui conviennent le mieux pour votre travail.

## MAINTENANCE

Votre outil électrique DEWALT a été conçu pour fonctionner longtemps avec un minimum de maintenance. Le fonctionnement continu et satisfaisant de l'outil dépendra d'un entretien adéquat et d'un nettoyage régulier.



**AVERTISSEMENT : pour réduire tout risque de dommages corporels, arrêter l'outil et débrancher l'appareil du secteur avant d'installer ou retirer tout accessoire, avant tout réglage ou changement de configuration ou lors de réparations.** S'assurer que la gâchette est bien en position d'ARRÊT. Un démarrage accidentel pourrait causer des dommages corporels.

- Cet appareil ne peut être réparé par l'utilisateur. Rappelez l'outil chez un réparateur DEWALT agréé après environ 40 heures d'utilisation. Pour tout problème entre temps, veuillez contacter un réparateur DEWALT agréé.
- L'outil s'arrêtera automatiquement lorsque les balais de charbon seront usés.

## Balais de moteur

DEWALT utilise un système avant-garde de balais qui arrêtera automatiquement le perçage lorsque les balais seront usés. Ceci préviendra tout dommage sérieux au moteur. Des modules de balais sont disponibles dans les centres de réparation agréés DEWALT. Utilisez systématiquement des pièces de rechange d'origine.



## Lubrification

Votre outil électrique ne requiert aucune lubrification additionnelle.

Les accessoires et pièces utilisés doivent être régulièrement lubrifiés autour de l'adaptateur SDS Plus®.



## Entretien



**AVERTISSEMENT :** *éliminer poussière et saleté du boîtier principal à l'aide d'air comprimé chaque fois que les orifices d'aération semblent s'encrasser. Porter systématiquement des lunettes de protection et un masque anti-poussières homologués au cours de cette procédure.*



**AVERTISSEMENT :** *ne jamais utiliser de solvants ou tout autre produit chimique décapant pour nettoyer les parties non métalliques de l'outil. Ces produits chimiques pourraient en attaquer les matériaux utilisés. Utiliser un chiffon humidifié avec de l'eau et un savon doux. S'assurer qu'aucun liquide ne pénètre dans l'outil ; ne jamais immerger aucune partie de l'outil dans un liquide.*

## Accessoires en option



**AVERTISSEMENT :** *comme les accessoires autres que ceux offerts par DEWALT n'ont pas été testés avec ce produit, leur utilisation avec cet appareil pourrait comporter un danger. Pour réduire tout risque de dommages corporels, seuls des accessoires DEWALT recommandés doivent être utilisés avec cet appareil.*

Différents types de mèches/forets et burins SDS Plus® sont disponibles en option.

Veuillez consulter votre concessionnaire pour plus d'informations sur les accessoires appropriés

## Respect de l'environnement



Collecte sélective. Ne jetez pas ce produit avec vos ordures ménagères.



Le jour où votre produit DEWALT doit être remplacé ou que vous n'en avez plus besoin, ne le jetez pas avec vos ordures ménagères. Préparez-le pour la collecte sélective.



La collecte sélective des produits et emballages usagés permet de recycler et réutiliser leurs matériaux. La réutilisation de matériaux recyclés aide à protéger l'environnement contre la pollution et à réduire la demande en matière première.

Selon les réglementations locales, un service de collecte sélective pour les produits électriques peut être fourni de porte à porte, dans une déchetterie municipale ou sur le lieu d'achat de votre nouveau produit.

DEWALT dispose d'installations pour la collecte et le recyclage des produits DEWALT en fin de cycle de vie utile. Pour profiter de ce service, veuillez rapporter votre produit à un réparateur autorisé qui le recyclera en notre nom.

Pour connaître l'adresse d'un réparateur autorisé près de chez vous, prenez contact avec votre bureau DEWALT local à l'adresse indiquée dans ce manuel de l'utilisateur. Ou consultez la liste des réparateurs autorisés DEWALT et le panorama détaillé de notre SAV et contacts sur Internet à l'adresse : [www.2helpU.com](http://www.2helpU.com).

# المطارق الدوارة SDS PLUS® للمهام الثقيلة، طراز D25012، وD25013

## تهانينا!

لقد اخترت أداة DEWALT. سنوات الخبرة التي تمتد خلالها عمليات تطوير وابتكار المنتجات تجعل DEWALT من أكثر الشركاء الذين يمكن الاعتماد عليهم بالنسبة لمستخدمي الأدوات الآلية المهنية.

## البيانات الفنية

D25013	D25012		
240-220	240-220	فولط	الفولطية
127	127		
1	1		النوع
650	650	وات	إدخال الطاقة
1550-0	1550-0	دقيقة*	سرعة الاحمل
1240-0	1130-0	دقيقة*	سرعة الحمل
4550-0	4150-0	BPM	الضربات كل دقيقة
			طاقة التأثير
2.4	2.4	J	التعب بالمطرقة
2.4	2.4	J	التحت بالإزميل
			الحد الأقصى لمعدل التغب في
22/30/13	22/30/13	ملم	الفولاذ/الخشب/الخرسانة
41	-		أوضاع الإزميل
50	50	ملم	سعة التغب الرئيسي في الطوب اللين
			حامل الأداة
*SDS Plus	*SDS Plus		
43	43	ملم	قطر الطوق
2.3	2.3	كغم	الوزن

## التعريفات: تعليمات الأمان

تصف التعريفات التالية مستوى أهمية كل كلمة تحذيرية. يرجى قراءة الدليل والانتباه لتلك الرموز.

- خطر:** تشير إلى حالة خطرة وشيكة الوقوع للغةية، وإذا لم يتم تفاديها، فستؤدي إلى حدوث الوفاة أو الإصابة الجسيمة.
- تحذير:** تشير إلى حالة خطرة محتملة الوقوع، وإذا لم يتم تفاديها، فقد يؤدي إلى حدوث الوفاة أو الإصابة الجسيمة.
- تنبيه:** تشير إلى حالة خطرة محتملة الوقوع، وإذا لم يتم تفاديها، فقد تؤدي إلى حدوث إصابة بسيطة أو متوسطة.
- ملاحظة:** تشير إلى ممارسة غير متعلقة بإصابة شخصية إذا لم يتم تفاديها، فقد تؤدي إلى ضرر الممتلكات.
- تشير إلى خطر حدوث صعقة كهربائية.**
- تشير إلى خطر نشوب حريق.**

تحذير: لتقليل خطر حدوث الإصابات، تفضل بقراءة دليل التعليمات.



## تحذيرات الأمان العامة للأدوات الكهربائية

تحذير! تفضل بقراءة جميع تحذيرات الأمان وكل التعليمات عدم الالتزام باتباع هذه التحذيرات والتعليمات قد يؤدي إلى حدوث صعقة كهربائية و/أو نشوب حريق، و/أو إصابة جسيمة.



### احتفظ بجميع التحذيرات والتعليمات من أجل الرجوع إليها في المستقبل

يشير المصطلح "أداة كهربائية" في التحذيرات إلى الأداة الكهربائية التي تعمل بالطاقة الكهربائية (مزودة بسلك كهربائي) أو الأداة الكهربائية التي تعمل بالبطارية (غير مزودة بسلك كهربائي).

### (1) أمان منطقة العمل

- (أ) احتفظ بمنطقة العمل نظيفة ومضاءة بطريقة جيدة. حيث أن المناطق المتكدسة بغير نظام أو المظلمة تؤدي إلى وقوع الحوادث.
- (ب) لا تقم بتشغيل الأدوات الكهربائية في الأجواء المتفجرة، كأن يوجد بالمكان سائل أو غازات أو غبار قابل للاشتعال. قد تؤدي الأدوات الكهربائية التي تحدث شرارات في اشتعال الأثرية أو الأبخرة.
- (ج) حافظ على الأطفال والأشخاص المشاهدين بعيداً أثناء تشغيل الأداة الكهربائية. فقد يؤدي تشتت الانتباه إلى فقدان سيطرتك.

### (2) السلامة الكهربائية

- (أ) يجب أن يتطابق قابس الأداة الكهربائية مع مصدر التيار الكهربائي. لا تقم مطلقاً بإجراء تعديل على القابس بأي طريقة. لا تستخدم قابس المحول مع الأدوات الكهربائية المؤرضة (تم تأريضها). حيث ستقلل المقابس غير المعدلة ومصادر التيار الكهربائي المتطابقة من خطر حدوث صعقة كهربائية.
- (ب) تجنب تلامس الجسد مع الأسطح الأرضية أو المؤرضة كالأنابيب، المشعاع والنطاقات والثلاجات. حيث يوجد خطر متزايد من حدوث صعقة كهربائية إذا كان جسدك مؤرضاً أو ثابتاً على الأرض.
- (ج) لا تعرض الأدوات الكهربائية للمطر أو البيل. إذ سيؤدي الماء الذي يدخل الأداة الكهربائية إلى زيادة خطر حدوث صعقة كهربائية.
- (د) لا تستخدم الكابل بطريقة خاطئة. لا تستخدم مطلقاً السلك من أجل حمل الأشياء أو سحبها أو لنزع قابس الأداة الكهربائية. أبعد السلك عن الحرارة أو الزيوت أو الحواف الحادة أو الأجزاء المتحركة. إذ تزيد الأسلاك التالفة أو المتشابكة من خطر حدوث صعقة كهربائية.
- (هـ) عند تشغيل الأداة الكهربائية خارج المنزل، استخدم سلك استئطلة ملائم للاستخدام في الأماكن الخارجية. حيث إن استخدام السلك الملائم للاستخدام الخارجي يقلل من خطر حدوث الصعقة الكهربائية.
- (و) إذا لم يكن بالإمكان تفادي تشغيل الأداة الكهربائية في مكان رطب، فاستخدم مصدر إمداد محمي بجهاز التيار المتبقي (RCD). استخدام جهاز التيار المتبقي يقلل من حدوث الصعقة الكهربائية.



**3) السلامة الشخصية**

- (أ) ابق متيقظاً وراقب ما تقوم بفعله واستعن بالحواس العامة عند تشغيل الأداة الكهربائية. لا تستخدم الأداة الكهربائية عندما تكون متعباً أو تحت تأثير المخدرات أو الكحول أو الأدوية. قد تؤدي أي لحظة من السهو أثناء تشغيل الأدوات الكهربائية إلى حدوث إصابة جسدية جسيمة.
- (ب) استخدم معدات الوقاية الشخصية. قم دوماً بارتداء واقي العينين. إذ أن استخدام معدات الوقاية مثل كمامات الأتربة، وأحذية الأمان المانعة للانزلاق، والخوذة الصلبة، أو واقي الأذن للحالات ذات الصلة سيقال من الإصابات الشخصية.
- (ج) تجنب التشغيل العرضي. تأكد من أن المفتاح في وضع إيقاف التشغيل قبل التوصيل بمصدر الطاقة، و/ أو مجموعة البطارية، أو النقاط أو حمل الأداة. حيث قد يؤدي حمل الأدوات الكهربائية أثناء وجود إصبعك على المفتاح أو إمداد الأدوات الكهربائية التي يكون مفتاحها بوضع التشغيل بالكهرباء إلى وقوع الحوادث.
- (د) قم بإخراج أي مفتاح ضبط أو مفتاح ربط قبل تشغيل الأداة الكهربائية. فقد يؤدي ترك مفتاح الربط أو المفتاح بالجزء الدوار بالأداة الكهربائية إلى حدوث إصابة شخصية.
- (هـ) تجنب مد يديك بعيداً بالجهاز. حافظ على ثبات موضع قدمك والتوازن طيلة الوقت. إذ يساعدك ذلك على التحكم بشكل أفضل في الأداة الكهربائية في المواقف الفجائية.
- (و) ارتد ملابس مناسبة. لا تقم بارتداء ملابس أو مجوهرات فضفاضة. أبعد الشعر والملابس والقفازات عن الأجزاء المتحركة. فقد تتحسر الملابس أو المجوهرات الفضفاضة أو الشعر الطويل في الأجزاء المتحركة.
- (ز) في حال توفير الأجهزة للتوصيل بوسائل استخلاص وتجميع الأتربة، فتأكد من توصيلها واستخدامها بطريقة صحيحة. حيث أن تجميع الأتربة قد يؤدي إلى تقليل المخاطر المتعلقة بالأتربة.

**4) استخدام الأداة الكهربائية والعناية بها**

- (أ) لا تتعامل بالقوة مع الأداة الكهربائية. استخدم الأداة الكهربائية الملائمة لغرض الاستخدام الخاص بك. حيث ستعجز الأداة الكهربائية الملائمة المهمة بشكل أفضل وأكثر أماناً بالمعدل الذي صممت من أجله.
- (ب) لا تستخدم الأداة الكهربائية إذا كان المفتاح لا يؤدي إلى التشغيل وإيقاف التشغيل. حيث تشكل أي أداة كهربائية لا يمكن التحكم بها بواسطة المفتاح خطورة ويجب إصلاحها.
- (ج) قم بفصل القابس من مصدر الطاقة و/ أو مجموعة البطارية من الأداة الكهربائية قبل إجراء أي عمليات ضبط أو تغيير ملحقات أو تخزين الأدوات الكهربائية. تقلل مثل إجراءات السلامة الوقائية هذه من خطر تشغيل الأداة الكهربائية بشكل فجائي.
- (د) قم بتخزين الأدوات الكهربائية المتوقفة عن العمل بعيداً عن متناول الأطفال ولا تدع الأشخاص غير الملمين بالأداة الكهربائية أو بهذه التعليمات يقومون بتشغيل الأداة الكهربائية. إذ تعد الأدوات الكهربائية خطيرة في أيدي المستخدمين غير المدربين على استخدامها.
- (هـ) حافظ على الأدوات الكهربائية. افحص للتحري عن أي محاذرة غير صحيحة أو التصاق للأجزاء المتحركة، أو كسر بالأجزاء وأي حالات أخرى قد تؤثر على تشغيل الأداة الكهربائية. وفي حال وجود تلف، قم بإصلاح الأداة الكهربائية قبل الاستخدام. حيث يرجع سبب وقوع العديد من الحوادث إلى الصيانة السيئة للأدوات الكهربائية.
- (و) حافظ على أدوات القطع في حالة حادة ونظيفة. حيث أن أدوات القطع التي تتم صيانتها بطريقة صحيحة ومزودة بحواف قطع
- حادة تتعرض بشكل أقل للتلتصاق ويسهل التحكم بها على نحو أكبر.
- (ز) استخدم الأداة الكهربائية والملحقات ولقم الأداة وما شابه ذلك وفقاً لهذه التعليمات مع الأخذ في الاعتبار ظروف التشغيل والعمل المراد تنفيذه. إذ أن استخدام الأداة الكهربائية لعمليات مختلفة عن تلك العمليات المخصصة لها قد يؤدي إلى حالة خطيرة.

**5) الخدمة**

- (أ) قم بصيانة الأداة الكهربائية الخاصة بك على يد فني إصلاح مؤهل وذلك من خلال استخدام أجزاء بديلة متطابقة فقط. حيث سيضمن ذلك الحفاظ على أمان الأداة الكهربائية.

**قواعد الأمان الإضافية الخاصة بالمطارق الدوارة**

- قم بارتداء واقيات الأذن. التعرض للضوضاء قد يؤدي إلى فقدان السمع.
- استخدم المقابض الواردة مع الأداة. فقدان التحكم قد يؤدي إلى حدوث إصابة شخصية.
- قم بإمسك الأدوات الكهربائية بواسطة أسطح الإمساك المعزولة عند تنفيذ العملية حيث قد تتلامس أداة القطع مع الأسلاك الخفية أو السلك الخاص بها. ملحق القطع المتلامس مع السلك "النشط" قد يؤدي إلى "تنشيط" الأجزاء المعدنية المكشوفة من الأداة وتعرض المشغل للصعق.
- استخدم المشابك أو أي وسيلة عملية أخرى لتثبيت ودعم قطعة العمل على منصة عمل ثابتة. الإمساك بقطعة العمل بواسطة اليد أو على الجسد يجعلها غير ثابتة وبالتالي قد يؤدي ذلك إلى فقدان التحكم.
- ارتد النظارات الواقية وواقيات العينين الأخرى. تؤدي عمليات الطرق إلى تطاير الرقائق. وقد قد تؤدي الجسيمات المتطايرة إلى حدوث تلف دائم بالعين. ارتد كمامات الأتربة أو جهاز تنفس في الاستخدام التي تولد الأتربة. وقد يُتطلب ارتداء واقي الأذن في معظم الاستخدامات.
- امسك الأداة بحاكم الأداة في كل الأوقات. لا تحاول تشغيل هذا الأداة بدون مسكها بكتلي يدك. ويوصى باستخدام المقبض الجانبي في جميع الأوقات. تشغيل هذه الأداة بيد واحدة سيؤدي إلى فقدان التحكم. اختراق المواد الصلبة أو مصادفتها كالحديد قد يصبح من الأمور الخطيرة أيضاً. قم بإحكام ربط المقبض الجانبي جيداً قبل الاستخدام.
- لا تقم بتشغيل هذه الأداة لفترات زمنية طويلة. فقد يؤدي الاهتزاز الناتج عن عمل المطرقة إلى إلحاق الأذى ببيدك وخرأعك. استخدم القفازات لتلطيف للصددمات والراحة الإضافية والحد من أخذ فترات متكررة من أجل الراحة.
- لا ترمم اللقعات بنفسك. يجب إجراء ترميم اللقعات بالإزميل من قِبل متخصص معتمد. فقد تؤدي عمليات الترميم غير المناسبة بالإزميل إلى الإصابة.
- ارتد القفازات عند تشغيل الأداة أو تغيير اللقعات. قد تصعب الأجزاء المعدنية المكشوفة في الأداة والملحق ساخنة للغاية أثناء التشغيل. وقد تؤدي اللقعات الصغيرة من المواد المكسرة إلى إصابة اليدين العاريتين.
- لا تضع الأداة الكهربائية مطلقاً حتى تتوقف اللقمة تماماً. قد تؤدي اللقعات المتحركة إلى الإصابة بجروح.
- لا تقم بالطرق على اللقعات المنحشرة باستخدام مطرقة لخلعها. فقد تؤدي الشظايا المعدنية أو الرقائق المعدنية إلى خلع اللقعات

## الوصف (شكل 1)

**تحذير:** لا تقم مطلقاً بتعديل الأداة الكهربائية أو أي جزء منها. فقد ينجم عن ذلك التلف أو الإصابة الشخصية.



- مفتاح المشغل ذو السرعة المتغيرة
- المقبض الرئيسي
- المقبض الجانبي
- قضيب العمق
- رأس المتقاب SDS Plus®
- زر محدد الوضع
- محدد الوضع
- ذراع التشغيل للخلف
- زر تشغيل القفل
- زر تحرير قضيب العمق

### الاستخدام المقصود

تم تصميم المطارق الدوارة للمهام الثقيلة للتعب المهني والتعب بالمطرقة وتثبيت البراغي والقطع الخفيف

**لا تستخدم** في ظل الأحوال الجوية الممطرة، أو في وجود السوائل أو الغازات القابلة للاشتعال.

المطارق الدوارة عبارة عن أدوات كهربائية مهنية.

**لا تدع** الأطفال يلعبون الأداة. يكون الإشراف أمراً ضرورياً عند استخدام مشغل قليل الخبرة لهذه الأداة.

- هذا المنتج غير مخصص للاستخدام من قبل الأفراد (بما في ذلك الأطفال) الذين يعانون من قصور في القدرات الجسدية أو الحسية أو العقلية، وقلة الخبرة أو المعرفة أو المهارات ما لم يكونوا تحت إشراف من يتحمل مسؤولية سلامتهم. لا ينبغي أن يُترك الأطفال وحدهم مع هذا المنتج.

## السلامة الكهربائية

تم تصميم المحرك الكهربائي لتحمل جهد كهربائي واحد فقط. تأكد دوماً من أن مصدر إمداد الطاقة مطابق للجهد الكهربائي المبين على لوحة التصنيف.

تم تزويد الأداة الخاصة بك من DEWALT بعازل مزدوج طبقاً للمعيار EN 60745، لذا لا حاجة للسلك الأرضي.



**تحذير:** يجب تشغيل الوحدات بسعة 127 فولت من خلال محول العزل الآمن من التعطل مع شاشة التاريف بين اللغات الرئيسية وغير الرئيسية.



إذا كان سلك إمداد الطاقة تالفاً، فيجب استبداله بسلك آخر معد خصيصاً متوفر لدى مراكز خدمة DEWALT.

## استبدال قابس التيار الرئيسي (الشرق الأوسط وإفريقيا)

إذا استدعت الضرورة تركيب قابس تيار رئيسي، فقم بالتالي:

- تخلص بأمان من القابس القديم.
- قم بتوصيل السلك البني بطرف التوصيل النشط في القابس.
- قم بتوصيل السلك الأزرق بطرف التوصيل المحايد.

والإصابة بجروح.

- يمكن إعادة شحذ الأزاميل البالية قليلاً بواسطة التجلخ.
- احتفظ بسلك الطاقة بعيداً عن اللقمة الدوارة. ولا تقم بلف السلك حول أي جزء من جسمك. فقد يؤدي السلك الكهربائي الملتف حول اللقمة الدوارة إلى إصابة شخصية وفقدان التحكم.

## المخاطر المتبقية

تعتبر المخاطر التالية متأصلة في استخدام المطارق الدوارة:

– الإصابات الناجمة عن ملامسة الأجزاء الدوارة أو الأجزاء الساخنة من الأداة.

على الرغم من تطبيق تعليمات السلامة ذات الصلة والتزود بأجهزة الأمان، فلا يمكن تفادي بعض المخاطر المتبقية المحددة. وتشمل هذه المخاطر ما يلي:

- ضعف السمع.
- خطر التعرض لعصر الأصابع عند تغيير الملحق.
- المخاطر الصحية الناجمة عن استنشاق الأتربة الناشئة عند العمل في الخرسانة أو الأبنية.

## العلامات على الأداة

الصور التالية موضحة على الأداة:



اقرأ دليل التعليمات قبل الاستخدام.



قم بارتداء واقبات الأذن.



قم بارتداء واقبات العين.

## وضع كود التاريخ (شكل 1)

كود التاريخ (ك) الذي يتضمن كذلك عام التصنيع مطبوع في التجويف. مثال:

XX XX 2014  
سنة التصنيع

## محتويات العبوة

تحتوي العبوة على:

- 1 مطرقة دوارة للمهام الثقيلة
- 1 مقبض جانبي
- 1 قضيب تعديل العمق
- 1 صندوق الأداة (طُرُز K فقط)
- 1 محول رأس المتقاب SDS Plus® (طُرُز C فقط)
- 1 رأس المتقاب (طُرُز C فقط)
- 1 دليل التعليمات
- 1 رسم ممتد
- افحص بحثاً عن التلف بالأداة أو الأجزاء أو الملحقات والذي قد يقع أثناء النقل.
- استغرق الوقت اللازم لقراءة هذا الدليل وفهمه جيداً قبل التشغيل.

لضبط الذراع على التشغيل للأمام، قم بإيقاف تشغيل المطرقة الدوارة ومحاذاة ذراع التشغيل للخلف (ح) الموجود عليه السهم الأصفر الذي يشير إلى الأمام (يُعرض عند إجراء الثقب في وضع التشغيل).

## محدد الوضع (الشكلان 1، و2)

**ملاحظة:** يجب أن إيقاف الأداة تماماً قبل تنشيط زر محدد الوضع، وإلا فقد يحدث تلف بالأداة.

1. لتحديد وضع التشغيل، اضغط على زر محدد الوضع (ز) وقم بتشغيل محدد الوضع (و) بحيث يشير السهم الأصفر إلى الرمز المناسب.
2. حرر زر محدد الوضع وتحقق من قفل مفتاح محدد الوضع في مكانه.

**ملاحظة:** يجب محاذاة السهم الأصفر الموجود على محدد الوضع مع أحد الرموز في جميع الأوقات. لا توجد أي أوضاع قابلة للتشغيل بين الأوضاع.

### وضع الثقب الدوار

استخدم نمط الثقب لثقب الأخشاب، والمعادن والمواد البلاستيكية.

### وضع الثقب بالمطرقة

استخدم هذا الوضع للثقب في الأبنية.

### وضع المطرقة فقط (D25013 فقط)

للنحت الخفيف بالإزميل.

## إدخال وإزالة ملحقات SDS Plus® (شكل 1)

**تحذير:** قم دوماً بإرتداء القفازات عند تغيير الملحقات. قد تصبح الأجزاء المعدنية المكشوفة في الأداة والملحق ساخنة للغاية أثناء التشغيل.

**تحذير:** لا تحاول إحكام ربط أو فك لقمات الثقب (أو أي ملحقات أخرى) عن طريق الإمساك بالجزء الأمامي من رأس المثقاب وتشغيل الأداة. فقد يؤدي ذلك إلى تلف رأس المثقاب وقد ينجم عنه إصابة شخصية.

تستخدم هذه الأداة ملحقات SDS Plus®. نوصي بأن تستخدم الملحقات الاحترافية فقط.

ولإدخال اللقمة، أدخل ساق الثقب لمسافة 19 ملم تقريباً (4/3 بوصات) في رأس المثقاب. اضغط على اللقمة وقم بتدويرها للعمل على استقرارها في مكانها. سيتم إحكام تثبيت اللقمة.

ولتحريز اللقمة، اسحب كم رأس المثقاب (هـ) للخلف، وقم بإزالة اللقمة.

## رأس المثقاب SDS Plus® (الشكل 1)

**تحذير:** لتقليل خطر التعرض للإصابة الشخصية الجسيمة، قم بإيقاف تشغيل الأداة وفصلها من مصدر الطاقة قبل إجراء أي عمليات ضبط، أو إزالة تركيب الملحقات أو الإكسسوارات.

**تحذير:** خطر الحرق. ارتد دائماً قفازات عند تغيير اللقمات. قد تصبح الأجزاء المعدنية المكشوفة في الأداة والملحق ساخنة للغاية أثناء التشغيل. وقد تؤدي اللقمات الصغيرة من المواد المكسرة إلى إصابة اليدين العاريتين.

**تحذير:** لا تحاول إحكام ربط أو فك لقمات الثقب (أو أي ملحقات أخرى) عن طريق الإمساك بالجزء الأمامي من

**تحذير:** لا يتم إجراء أي توصيل بطرف التوصيل الأرضي.

قم باتباع التعليمات الواردة مع القوابس ذات الجودة العالية. المنصهر الموصى باستخدامه: 13 أمبير

## استخدام كابل الاستطالة

إذا كان الأمر يتطلب استخدام كابل استطالة، فاستخدم كابل استطالة بثلاث سنون ملانم لدخل طاقة هذه الأداة (انظر البيانات التقنية). الحد الأدنى لحجم الموصل هو 1.5 مم<sup>2</sup>.

عند استخدام بكرة الكابل، قم دوماً بفك الكابل تماماً.

## عمليات التجميع والضبط

**تحذير:** للحد من خطر التعرض للإصابة، قم بإيقاف تشغيل الوحدة، وافصل الماكينة عن مصدر الطاقة قبل تركيب الملحقات وفكها، وقيل ضبط أو تغيير الإعدادات، أو عند إجراء الإصلاحات. تأكد من أن مفتاح التشغيل في وضع OFF (إيقاف التشغيل). قفد التشغيل العرضي قد يؤدي إلى حدوث إصابة.

## المقبض الجانبي (شكل 1)

**تحذير:** للحد من خطر الإصابة الشخصية، قم دائماً بتشغيل الأداة عن طريق تثبيت المقبض الجانبي وإحكام تثبيته. عدم الالتزام بفعل ذلك قد يؤدي إلى انزلاق المقبض الجانبي أثناء عمل الأداة وبالتالي فقدان التحكم. قم بإمسك الأداة بأكملها بزيادة القدرة على التحكم.

يتم تركيب المقبض الجانبي بالمطرقة الدوارة هذه. يمكن تركيب المقبض الجانبي (ج) بما يتلاءم مع المستخدمين الذي يستخدمون اليد اليمنى واليد اليسرى.

### لضبط المقبض الجانبي

1. قم بفك المقبض الجانبي (ج) عن طريق لفه باتجاه عكس عقارب الساعة.
2. أدر المقبض الجانبي إلى الوضع المرغوب.
3. قم بإحكام ربط المقبض الجانبي عن طريق لفه باتجاه حركة عقارب الساعة.

### لتغيير الجوانب

بالنسبة للمستخدمين الذين يستعملون اليد اليمنى: قم بزلق مشبك المقبض الجانبي فوق رأس المثقاب، المقبض يصبح بالجهة اليسرى.

بالنسبة للمستخدمين الذين يستعملون اليد اليسرى: قم بزلق مشبك المقبض الجانبي فوق رأس المثقاب، المقبض يصبح بالجهة اليمنى.

## ذراع التشغيل للخلف (شكل 1)

يستخدم ذراع التشغيل للخلف (ح) لتشغيل المطرقة الدوارة للخلف لفك أدوات التثبيت أو الملقمات المنحشرة في مهمة الثقب.

**تنبيه:** عند التشغيل للخلف لإزالة الملقمات المنحشرة، استعد لرد فعل قوي من عزم الدوران.

ولتشغيل المطرقة الدوارة للخلف، قم بإيقاف تشغيلها ومحاذاة ذراع التشغيل للخلف (ح) الموجود عليه السهم الأصفر الذي يشير إلى الخلف (يُعرض عند إجراء الثقب في وضع التشغيل).

ولا يتم استخدام زر تشغيل القفل (ط) إلا في حالة توقف المطرقة الدوارة أو تثبيتها على حامل ضغط الثقب أو في استخدامات القطع.

قبل استخدام هذه الأداة في كل مرة، تأكد من عمل آلية تحرير زر تشغيل القفل بحرية.

وبالنسبة للتشغيل المتواصل، اضغط مع الاستمرار على مفتاح المشغل (أ)، واضغط على زر تشغيل القفل (ط)، وحرر مفتاح المشغل، ثم حرر زر تشغيل القفل. وستواصل الأداة العمل.

لإيقاف الأداة في التشغيل المتواصل، اضغط بسرعة على مفتاح المشغل وحرره بسرعة.

### وضع يدوي صحيح (شكل 1، و3)

**تحذير:** لخفض خطر التعرض للإصابة الجسدية البالغة، استخدم دائمًا الوضع اليدوي الصحيح كما هو موضح.

**تحذير:** لخفض خطر التعرض للإصابة الجسدية البالغة، قم دائمًا بالإمساك الجيد تحسبًا لأي رد فعل مفاجئ.

يتطلب الوضع اليدوي الملائم استخدام يد واحدة على المقبض الجانبي (ج)، مع وجود اليد الأخرى على المقبض الرئيسي (ب).

### قابض الحمل الزائد

في حالة احتشار أو توقف لقمة الثقب، تنقطع حركة دوران الثقب بواسطة قابض الحمل الزائد. وبسبب القوى التي تنشأ كنتيجة لذلك، أمسك الآلة بإحكام دائمًا باليدين واتخذ موقفًا حازمًا.

### أدوات الثقب

تُستخدم الآلة للثقب بالمطرقة في الخرسانة، والطوب، والأحجار. كما أنها مناسبة للثقب دون تأثير في الأخشاب، والمعادن، والسيراميك، والمواد البلاستيكية.

### الثقب (الشكل 1)

**تحذير:** لتقليل خطر التعرض للإصابة الشخصية الجسدية، قم بإيقاف تشغيل الأداة وفصلها من مصدر الطاقة قبل إجراء أي عمليات ضبط، أو إزالة/ تركيب الملحقات أو الإكسسوارات.

**تحذير:** للحد من خطر الإصابة الشخصية، تأكد دائمًا من تثبيت قطعة العمل أو الإمساك بها بإحكام. إذا كانت عملية الثقب تتم في مادة رقيقة، فاستخدم كتلة خشبية "داعمة" لمنع تلف المادة.

**تحذير:** للحد من خطر الإصابة الشخصية، قم دائمًا بتشغيل الأداة عن طريق تثبيت المقبض الجانبي وإحكام تثبيته. عدم الالتزام بفعل ذلك قد يؤدي إلى انزلاق المقبض الجانبي أثناء عمل الأداة وبالتالي فقدان التحكم. قم بإمساك الأداة بكلتا يديك لزيادة القدرة على التحكم.

اضغط على زر محدد الوضع (ز)، وأدر محدد الوضع (و) إلى رمز لقمة الثقب الخاص بالثقب أو رمز المطرقة الخاص بالطرق أو رمز الثقب بالمطرقة الخاص بالثقب بالمطرقة.

#### عملية الثقب

1. بالنسبة إلى الأخشاب، استخدم القمات الملونة أو لقمات المجراف أو لقمات البريمة الكهربائية أو مناشير الثقب. بالنسبة إلى المعادن، استخدم لقمات الثقب الملونة الصلبة ذات السرعة العالية أو مناشير الثقب. استخدم شحم تزليق للقطع عند إجراء عملية ثقب المعادن. يستثنى من ذلك قوالب الحديد والنحاس السبيكية التي يجب ثقبها عندما تكون جافة. بالنسبة إلى الأبنية،

رأس المثقاب وتشغيل الأداة. فقد يؤدي ذلك إلى تلف رأس المثقاب وقد ينجم عنه إصابة شخصية.

ولإدخال لقمة، أدخل ساق الثقب لمسافة 19 ملم تقريبًا (4/3 بوصات) في رأس المثقاب. اضغط على اللقمة وقم بتدويرها للعمل على استقرارها في مكانها. سيتم إحكام تثبيت اللقمة.

ولتحرير اللقمة، اسحب كم رأس المثقاب (هـ) للخلف، وقم بإزالة اللقمة.

### تثبيت محول رأس المثقاب ورأس المثقاب (يتم بيعهما بشكل منفصل)

1. اربط رأس مثقاب في الطرف المسنن لمحول رأس المثقاب.

2. أدخل رأس المثقاب والمحول المتصلين في الأداة التي كما لو كانت لقمة SDS Plus® قياسية.

3. لإزالة رأس المثقاب، باشر الإزالة مثلما هو الحال مع لقمة SDS Plus® القياسية.

**تحذير:** لا تستخدم مطلقًا رؤوس الثقب القياسية في وضع الثقب بالمطرقة.

استشر وكليك لمعرفة المزيد من المعلومات حول الملحقات الملائمة.

### قضيب العمق (الشكل 4)

#### لضبط قضيب العمق

1. اضغط مع الاستمرار على قضيب العمق وحرر الزر (ي) الموجود على المقبض الجانبي.

2. قم بتحريك قضيب العمق (د) بحيث تصبح المسافة بين طرف القضيب وطرف اللقمة مساوية لعمق الثقب المطلوب.

3. حرر الزر لقفل القضيب في موضعه. وعند الثقب باستخدام قضيب العمق، توقف عند وصول طرف القضيب إلى سطح المادة.

### التشغيل

#### تعليمات الاستخدام

**تحذير:** التزم دومًا بتعليمات الأمان واللوائح المعمول بها.

#### مفتاح المشغل (شكل 1)

لبدء تشغيل المطرقة الدوارة، اضغط على مفتاح المشغل (أ). ولإيقاف المطرقة الدوارة، حرر المفتاح.

**ملاحظة:** استخدم السرعات المنخفضة لبدء حفر الثقوب دون استخدام خرامة وسطى أو الثقب في المعادن أو المواد البلاستيكية أو السيراميك أو ربط مسامير البراغي. وتكون السرعات العالية أفضل للثقب في الأبنية لتحقيق الكفاءة القصوى.

#### السرعة المتغيرة

يسمح مفتاح المشغل ذو السرعات المتغيرة (أ) بالتحكم في السرعة. كلما تم الضغط على مفتاح التشغيل بشكل أكبر، زادت سرعة الثقب.

#### زر تشغيل القفل

**تحذير:** تأكد من تحرير آلية القفل قبل فصل الموصل عن مصدر الطاقة. فسيؤدي القفل في القيام بذلك إلى بدء تشغيل الثقب بالمطرقة بمجرد توصيل المطرقة في المرة التالية. وقد تحدث أضرار أو إصابة شخصية.

3. أدخل محول تثبيت مسامير البراغي الخاص من SDS Plus للاستخدام مع لقمات مفك تثبيت مسامير البراغي السداسي.
4. قم بإدخال لقمة مفك مسامير البراغي المناسبة. وعند الربط، تستخدم مسامير البراغي ذات الرؤوس المدخدة للقمات المزودة بكم الباحث.
5. اضغط برفق على مفتاح السرعات المتغيرة (أ) لمنع حدوث ضرر برأس مسمار البراغي. وفي الدوران للخلف (LH)، تقل سرعة الأداة تلقائياً لإزالة مسمار البرغي بسهولة.
6. في حالة مسح مسمار البراغي في قطعة العمل، فحذر مفتاح قطع العمل.

### عملية الثقب بالمطرقة

1. عند الثقب، اضغط فقط بقوة كافية على المطرقة لمنعها من الارتداد بشكل مفرط أو قذف "اللقمة". فإن الضغط بقوة أكبر من اللازم سيؤدي إلى سرعات ثقب أبطأ وارتفاع درجة الحرارة ومعدل ثقب أقل.
2. قم بالثقب بشكل مستقيم، مع الحفاظ على اللقمة في زاوية صحيحة للعمل. لا تبدل ضغطاً جانبياً على اللقمة أثناء الثقب، لأن هذا سيؤدي إلى انسداد خدد اللقمات وسرعة ثقب أبطأ.
3. عند ثقب الحفر العميقة، في حالة انخفاض سرعة المطرقة، فاسحب اللقمة بشكل جزئي خارج الثقب مع مواصلة تشغيل الأداة للمساعدة في إزالة الحطام من الثقب.
4. بالنسبة إلى الأبنية، استخدم اللقمات الملقمة بالكربيد أو لقمات الأبنية. يشير التدفق السلس من الأثرية إلى معدل ثقب ملائم.

### الترقيق والنحت بالإزميل (D25013)

1. للتحويل من الثقب بالمطرقة إلى النحت بالإزميل، أدخل أولاً إزميل SDS Plus®، وتحقق من قفله بشكل سليم.
2. عند التحويل من وضع الثقب بالمطرقة إلى وضع النحت بالإزميل، أدر الإزميل إلى الوضع المطلوب. وفي حالة مواجهة مقاومة أثناء تغيير الوضع، فادر الإزميل بشكل طفيف لتسهيل قفل الدوران.



تحذير:

- تُستخدم المطرقة في تطبيقات النحت الخفيف بالإزميل فقط.
- يجب أن يكون مفتاح التشغيل للأمام/الخلف في وضع التشغيل للأمام عند النحت بالإزميل.



تحذير:

- لا تستخدم هذه الأداة لخلط أو ضخ السوائل القابلة للاشتعال أو الانفجار بسهولة (بنزين، كحول، ما شابه ذلك).
- بالتالي، لا تخطط أو تقلب أي سوائل قابلة للاشتعال.

تتوفر أنواع مختلفة من لقمات الثقب والمحولات من SDS Plus® كخيار. استشر وكيلك لمعرفة المزيد من المعلومات حول الملحقات الملائمة.

- استخدم اللقمات الملقمة بالكربيد أو لقمات الأبنية. يشير التدفق السلس من الأثرية إلى معدل ثقب ملائم.
  2. قم دائماً بالضغط في شكل خط مستقيم على اللقمة. قم بالضغط بشكل كافي للحفاظ على لقمة الثقب في موضعها، لكن لا تقم بالدفع بقوة تكفي لإيقاف المحرك أو انحراف القطعة.
  3. قم بإمسك الأداة بثبات بكلتا يديك للتحكم في فعل الالتواء لعملية الثقب.
- تحذير:** قد يتوقف الثقب إذا ما أدى الحمل الزائد إلى التواء مفاجئ. توقع دوماً حدوث التوقف. قم بإمسك المثقاب باليدين بإحكام للتحكم في فعل الالتواء وتفادي حدوث إصابة.
4. في حالة توقف الثقب، فإنه هذا يرجع غالباً إلى الحمل الزائد. حرر المشغل على الفور، وقم بإزالة لقمة الثقب من العمل، وحدد سبب التوقف. لا تقم بإيقاف تشغيل المشغل في محاولة لاستكمال عملية ثقب متوقفة - فقد يؤدي هذا إلى الإضرار بالثقب.
  5. لتقليل حدوث التوقف المفاجئ أو اختراق المادة، قم بخفض معدل الضغط على المثقاب وتخفيف القطعة (اللقمة) عبر الجزء المجزأ من الفتحة.
  6. حافظ على المحرك في حالة دوران أثناء سحب القطعة (اللقمة) للخارج من الفتحة التي تم ثقبها. سيساعد ذلك على منع حدوث الانحسار.
  7. باستخدام آلات الثقب ذات السرعة المتغيرة، لا توجد حاجة إلى التخريم المركزي للثقب المراد ثقبها. استخدم السرعة المنخفضة لبدء عمل الثقب والتعجيل بإنشائه عن طريق الضغط على المشغل بقوة أكبر عندما يكون الثقب عميقاً بشكل يكفي لتقبه بدون فقد اللقمة للخارج.



### ثقب المعادن

لتدوير محول ساق باستخدام SDS Plus®، يُتطلب توفر رأس مثقاب. وتأكد من أن الأداة موجودة في وضع الثقب فقط. قم ببدء عملية الثقب على سرعة منخفضة، ثم زيادتها لتصل إلى الطاقة الكاملة مع بذل ضغط ثابت على الأداة. يشير التدفق السلس للرفائق المعدنية إلى معدل ثقب ملائم. استخدم شحم تزليق للقطع عند إجراء عملية ثقب المعادن. يستنتج من ذلك قوالب الحديد والنحاس السببكية التي يجب ثقبها عندما تكون جافة.

**ملاحظة:** يمكن حفر الثقوب الكبيرة [7.9 ملم إلى 12.7 ملم (16/5 بوصة إلى 2/1 بوصة)] في الفولاذ بشكل أسهل في حالة حفر ثقب دليبي [4 ملم إلى 4.8 ملم (32/5 بوصة إلى 16/3 بوصة)] أولاً.

### ثقب الأخشاب

لتدوير محول ساق باستخدام SDS Plus®، يُتطلب توفر رأس مثقاب. وتأكد من أن الأداة موجودة في وضع الثقب فقط. قم ببدء عملية الثقب على سرعة منخفضة، ثم زيادتها لتصل إلى الطاقة الكاملة مع بذل ضغط ثابت على الأداة. يمكن إنشاء ثقوب في الأخشاب بواسطة نفس آلات الثقب الملتوية المستخدمة للثقب بالمعادن. قد ترتفع درجة حرارة هذه اللقمة بشكل مفرط إلا إذا تم سحبها للخارج بشكل متكرر للتخلص من المسافات. بالنسبة إلى الثقوب الكبيرة، استخدم لقمات المجراف أو لقمات البريمنة الكهربائية أو مناشير الثقب. يجب دعم القطعة محل العمل المعرضة للانحناء بواسطة كتلة خشبية.

### تثبيت مسامير البراغي (الشكل 1)

1. اضبط مفتاح محدد الوضع (و) على وضع الثقب الدوار.
2. حدد اتجاه الدوران.

الشخصية، يجب استخدام الملحقات الموصى بها فقط من DEWALT، مع هذا المنتج.

تتوفر أنواع مختلفة من لقمات الثقب والأزاميل من SDS Plus® كخيار.

استشر وكيلك لمعرفة المزيد من المعلومات حول الملحقات الملائمة.

### حماية البيئة

المجموعة المنفصلة. يجب عدم التخلص من هذا المنتج في النفايات المنزلية العادية.



إذا وجدت في أحد الأيام أن المنتج DEWALT الخاص بك يلزم استبداله، أو لم تعد هنالك حاجة لاستخدامه، فلا تتخلص منه في النفايات المنزلية. اجعل هذا المنتج متوفرًا للتجميع المنفصل.

التجميع المنفصل للمنتجات والعبوات المستهلكة يتيح إعادة تدوير المواد واستخدامها مرة أخرى. إعادة استخدام المواد المعاد تدويرها يساعد على منع التلوث البيئي وتقليل الطلب على المواد الخام.



قد توفر القوانين المحلية أماكن تجميع منفصلة للمنتجات الكهربائية عن النفايات المنزلية، وفي مواقع النفايات البلدية أو بواسطة بائع التجزئة عند شرائك لمنتج جديد.

تقدم DEWALT وسيلة للتجميع المنفصل، لتجميع وتدوير منتجات DEWALT بعد وصولها إلى نهاية عمر التشغيل الخاص بها. للاستفادة من هذه الخدمة، الرجاء إعادة المنتج الخاص بك إلى وكيل إصلاح معتمد والذي سيقوم بتجميعه نيابة عنك.

بإمكانك التعرف على موقع أقرب وكيل إصلاح معتمد في منطقتك من خلال الاتصال بمكتب DEWALT المحلي على العنوان المحدد في هذا النليل. أو بدلاً من ذلك، تتوفر قائمة من وكلاء الإصلاح المعتمدين التابعين لشركة DEWALT مع بياناتهم التفصيلية الكاملة لخدمة ما بعد البيع وجهات الاتصال المتوفرة على الإنترنت بالموقع:

[www.2helpU.com](http://www.2helpU.com)

### الصيانة

تم تصميم الأداة الكهربائية DEWALT الخاصة بك للعمل خلال فترة زمنية طويلة مع أدنى حد من الصيانة. يعتمد التشغيل المرضي المتواصل على العناية الملائمة بالأداة وتنظيفها بشكلٍ منتظم.



**تحذير: لخفض خطر التعرض للإصابة، قم بإيقاف تشغيل الوحدة، وفصل الماكينة من مصدر الطاقة قبل تركيب الملحقات وفكها، وقيل ضبط أو تغيير الإعدادات، أو عند إجراء الإصلاحات. تأكد من أن مفتاح التشغيل في وضع OFF (إيقاف التشغيل). فبدء التشغيل العرضي قد يؤدي إلى حدوث إصابة.**

• هذا الجهاز لا يمكن خدمته من قبل المستخدم. توجه بالأداة إلى وكيل إصلاح DEWALT المعتمد بعد 100 ساعة تقريباً من الاستخدام. إذا استمرت المشكلة قبل هذه الفترة، فاتصل بوكيل إصلاح DEWALT المعتمد.

• سيتم إيقاف تشغيل الأداة أوتوماتيكياً عندما يتم استهلاك الفرش الكربونية.

### فرش المحرك

تستخدم DEWALT أي نظام فرشاة متقدم مما يؤدي إلى توقف الثقب عندما تتآكل الفرش. يؤدي ذلك إلى منع حدوث التلف البالغ بالمحرك.

تتوفر مجموعات جديدة من الفرش لدى مراكز خدمة DEWALT المعتمدة. استخدم دائماً قطع الغيار البديلة المتطابقة.



### التشحيم

لا تحتاج الأداة الكهربائية الخاصة بك إلى أي تشحيم إضافي.

الكماشات والملحقات المستخدمة يجب تشحيمها بشكل دوري حول تجهيز SDS Plus®.



### التنظيف

**تحذير:** قم بنفخ الأتربة والغبار خارج التجويف الرئيسي بواسطة الهواء الجاف عدد أكبر من المرات في حال مشاهدة تجمع الأتربة بداخل المنافذ الهوائية وحولها. قم بارتداء واقي العين المعتمد وكمامة الأتربة المعتمدة عند تنفيذ هذا الإجراء.



**تحذير:** لا تقم مطلقاً باستخدام مذيبات أو أي مواد كيميائية قاسية أخرى لتنظيف الأجزاء غير المعدنية بالأداة. إذ قد تضعف هذه المواد الكيميائية من المواد المستخدمة في هذه الأجزاء. استخدم قطعة قماش مبللة بالماء والصابون الخفيف فقط. لا تسمح قط بدخول أي سائل إلى الأداة، ولا تقم مطلقاً بغمر أي جزء من الأداة في السائل.



### الملحقات الاختيارية

**تحذير:** نظراً لعدم اختبار ملحقات غير تلك المقدمة من DEWALT، مع هذا المنتج، يمكن أن يمثل استخدام مثل هذه الملحقات مع هذه الآلة خطراً. لتقليل الإصابة



<b>Afghanistan</b>	Ariana Hafiz Zabi Co. Ltd. Dahan Bagh Squire Karte Ariana, Kabul, Afghanistan	info@arianahafiz.com	Tel: 93-0-799331079 Fax: 93-0-700007576 / 93-0-799331079
<b>Algeria</b>	Sarl Outillage Corporation 08, Rue Med Boudiaf (ex TELLA Achen) Cheraga, Alger	hakim.merdjadi@outillage-dz.com lyes@outillage-dz.com Mali.faiza@outillage-dz.com; sidahmed@outillage-dz.com	Tel: 213-0-21375130 213-0-21375131 Fax: 213-0-21369667
<b>Angola</b>	Angoferraria, Lda. Rua Robert Shields, nº 61, Luanda, Angola	angoferraria@gmail.com sequiera.angoferraria@gmail.com	Tel: 244-222-395837 / 244-222-395034 Fax: 244-222-394790
<b>Azerbaijan</b>	Royalton Holdings Ltd. 41 Khagani St. Apt. 47 AZ1001 Baku- Azerbaijan	jai@royaltonholdings.com office@royaltonholdings.com	Tel: 994-12-4935544 Fax: 994-12-5980378
<b>Egypt</b>	ElFarab S.A.E. 15-Nabil El Wakkad Street, Dokki, Giza, Egypt	elfarab@elfarab.com adel.ezzat@elfarab.com mahmoud.elhosseiny@elfarab.com	Tel: 202-37603946 Fax: 202-33352796
<b>Ethiopia</b>	Seif Tewfik Sherif Arada Sub City, Kebele 01/02, Global Insurance Bldg., 2nd Flr., Room 43, P.O. Box 2525, Addis Ababa	seif@ethionet.et nawanag@ethionet.et	Tel: 251-11-1563968 251-11-1563969 Fax: 251-11-1558009
<b>Iraq</b>	Al-Sard Co. for General Trading Ltd Jbara Bldg. 3Flr. Al Rasheed St., Baghdad, Iraq	dewalt.service@yahoo.com	Tel: 964-18184102
<b>Jordan</b>	Amman West Stores-Bashiti 210 Garden St. Tla'a Ali, P.O. Box 1564 Tla Ali Amman 11953, Jordan	ali@bashitstores.com yousef@bashitstores.com	Tel: 962-6-5350009 Fax: 962-6-5350012
<b>Kenya</b>	Dextron Tools Ltd. P.O. Box 20121-00200, Shariff House, Kimathi Street, Nairobi	info@alibhaishariff.co.ke dextron@alibhaishariff.co.ke	Tel: 254-20-6905000 254-20-2358021 Fax: 254-20-6905111 / 254-20-6905112
<b>Lebanon</b>	Est. Shaya & Azar S.A.R.L. Boulevard Jdeideh - Mar Takla - Bouchrieh . P.O. Box 90545, Jdeideh. Beirut - Lebanon	shayazar@dm.net.lb	Tel: 961 1 872305 961 1 872306 Fax: 961 1 872303
<b>Libya</b>	North Africa Trading ( El Ghoul Brothers) P.O. Box 348, 7 October Street 11 Benghazi	maryam_farooq2003@yahoo.com nagte@eim.ae dewalt_libya@yahoo.com	Tel: 218-061-3383994 Fax: 218-092-7640688
	North Africa Trading ( El Ghoul Brothers) AlBarniq DeWALT Center, Mokhazin-elsukar St. ElFallah, Tripoli	dewalt_libya@yahoo.com	Tel: 218-021-3606430 Fax: 218-092-6514813
	North Africa Trading ( El Ghoul Brothers) AlHilal Service Center Tawergha St., Misurata		Tel: 218-091-3221408
<b>Mauritius</b>	Robert Le Marie Limited Old Moka Road, Bell Village, P.O. Box 161, Port Louis	a.blackburn.rm@rmgroup.mu jm.pierrelouis.rm@rmgroup.mu	Tel: 230-212 1865 230-212 2847 Fax: 230-2080843
<b>Morocco</b>	Ets Louis Guillaud & Cie 31, Rue Pierre Parent, Casablanca - 21000	boumadiane.azedine@elg.ma doukkail.marouane@elg.ma	Tel: 522-301446 / 305971 / 317815 / 315576 Fax: 522-444518 / 317888
<b>Nigeria</b>	Meridian Power Tools Ltd. Gr. Floor, #1 Alhaji Masha Rd, Next to Teslim Balogun Stadium, Near National Stadium Surulere, Lagos, Nigeria	braj@meridian-nigeria.com	Tel: 234-1-7740431 234-1-7740410 Fax: 234-1-7913798
<b>Pakistan</b>	Northern Toolings (Pvt) Ltd.-Lahore 86- Railway Road, Lahore - 7 Pakistan	zhayee@northern.pk import@northern.pk sales@northern.pk	Tel: 92-423-7651220 92-423-7641675 Fax: 92-423-7641674
	Northern Toolings (Pvt) Ltd.-Karachi 224-231 Industrial Town Plaza, Shahrah-e-Liaqat, Karachi, Pakistan	karachibr@northern.pk	Tel: 92-213-2465305 92-213-2465307 Fax: 92-213-2465301
	Northern Toolings (Pvt) Ltd.-Taxila Al-Rehman Plaza, Opposite Tehsil Court, Faisal Shaheed Road, Taxila	taxilabr@northern.pk	Tel: 92-51-4545811 Fax: 92-51-4544194
<b>South Africa</b>	Benray Tool Wholesalers C.C. 91 Turfontein Road, Stafford, Johannesburg, 2001 P.O. Box 260037 EXCOM 2023, South Africa	dewaltservice@benray.co.za zain@benray.co.za shafiq@benray.co.za	Tel: 27-11-6838350 Fax: 27-11-6837456
<b>Tanzania</b>	General Motors Investment Ltd. 14 Vingunguti-Nyerere Road, P.O.Box 16541, Dar es Salaam, Tanzania	ezra@gmi-tz.com info@gmi-tz.com chiwelesa@yahoo.com	Tel: 255-22-2865022 / 2862661 / 2862671 / 2862659 Fax: 255-22-2862667
<b>Tunisia</b>	Ets. Mohamed Ghorbel 03 Rue 8603 Chargaia I Tunis. Postal Code 2035	slim.ghorbel@gnet.tn moh.ghorbel@gnet.tn mourad.ghorbel@gnet.tn	Tel: 216-71794248 216-71793848 Fax: 216-71770759
<b>Uganda</b>	The Building Center (u) Ltd. 52 Station Road, Kitgum House, P.O. Box 7436 Kampala, Uganda	tbc@africaonline.co.ug chris@tbcu.co.ug	Tel: 256-041-4234567 256-041-4259754 Fax: 256-041-4236413
<b>Yemen</b>	Middle East Trading Co. (METCO) 5th Flr.Hayel Saeed Anam Bldg. Al-Mugamma St. Taiz, Yemen	tamer.metco@gmail.com tamer@metcotrading.com metco@metcotrading.com sami@metcotrading.com	Tel: 967-4-213455 Fax: 967-4-219869
	Middle East Trading Co. (METCO) Mualla Dakka, Aden	tamer.metco@gmail.com tamer@metcotrading.com metco@metcotrading.com	Tel: 967-2-222670 Fax: 967-2-222670
	Middle East Trading Co. (METCO) Hayel st., Sana'a, Yemen	tamer.metco@gmail.com tamer@metcotrading.com metco@metcotrading.com	Tel: 967-1-204201 Fax: 967-1-204204

<b>UAE</b>	Black & Decker (Overseas) GmbH P.O. Box 5420, Dubai	service.mea@blackdecker.com	Tel: 971-4 8127400 / 8127406 Fax: 971-4 2822765	
	Ideal Star Workshop Eqpt. Trading LLC P.O. Box 37116, Al Quoz, Dubai	idealeq@emirates.net.ae	Tel: 971-4 3474160 Fax: 971-4 3474157	
	Alebrah Engineering Service P.O. Box 78954, Al Qusais, Dubai	alebrah@eim.ae	Tel: 971-4 2850044 Fax: 971-4 2844802	
	Burj Al Madeena Industrial Area No. 1, opp. Pakistani Masjid P.O. Box 37635, Sharjah	dewaltuae@hotmail.com	Tel: 971-6 5337747 Fax: 971-6 5337719	
	McCoy Middle East LLC P.O. Box 25793, Sharjah	mccoy@emirates.net.ae	Tel: 971-6 5395931 Fax: 971-6 5395932	
	McCoy Middle East LLC P.O. Box 10584, Ras Al Khaimah	mccoyrak@gmail.com	Tel: 971-7 2277095 Fax: 971-7 2277096	
	Al Sukoon Gen. Trdg. Co. LLC P.O. Box 2975, Ajman	sukoon@eim.ae	Tel: 971-6 7435725 / 7438317 Fax: 971-6 7437350	
	Zillion Equipment and Spare Parts Trading LLC P.O. Box 19740, opp. Bin Sadal / Trimix Redymix Sanaiya, Al Ain	zilliontrdg@gmail.com	Tel: 971-3 7216690 Fax: 971-3 7216103	
	Light House Electrical, Abu Dhabi Branch P.O. Box 120, Abu Dhabi	dewalt_lhe@hotmail.com	Tel: 971-2 6726131 Fax: 971-2 6720667	
	Light House Electrical, Musaffah Branch P.O. Box 120, Abu Dhabi	dewalt_lhe@hotmail.com	Tel: 971-2 5548315 Fax: 971-2 5540461	
	<b>Bahrain</b>	Alfouz Services Co. WLL P.O. Box 26562, Tubli, Manama	alfouz@batelco.com.bh	Tel: 973 17783562 / 17879987 Fax: 973 17783479
		Kavalani & Sons W.L.L. P.O. Box 71, Sitra, Manama	info@kavalani.com pradeep@kavalani.com	Tel: 973 17732888 Fax: 973 17737379
	<b>Kuwait</b>	Al Omar Technical Co. P.O. Box 4062, Safat 13041, Kuwait	alexotc@usa.net	Tel: 965 24848595 / 24840039 Fax: 965 24845652
		Fawaz Al Zayani Establishment P.O. Box 42426, Shop No.18, Al Hurnaizi Commercial Complex, Khalifa Al Jassim, Shuwaikh	dewaltkuwait@hotmail.com	Tel: 965 24828710 Fax: 965 24828716
Fawaz Al Zayani Establishment Fahaheel Industrial Area, Main St., Sanaya		dewaltkuwait@hotmail.com	Tel: 965 23925830 Fax: 965 24828716	
<b>Oman</b>	Al Jizzi Company LLC P.O. Box 1704, P.C. 112, Ruwi	aljizied@omantel.net.om jizzi10@omantel.net.om	Tel: 968 24832618 / 24835153 Fax: 968 24831334 / 24836460	
	Al Hassan Technical & Construction Supplies Co. LLC P.O. Box 1948, P.C. 112, Ruwi	hamriya.sr@al-hassan.com abrar.h@al-hassan.com	Tel: 968 24810575 / 24837054 Fax: 968 24810287 / 24833080	
	Oman Hardware Co. LLC P.O. Box 635, Ruwi Postal Code 112	omanhard@omantel.net.om	Tel: 968 24815131 Fax: 968 24816491	
	Khimji Ramdas P.O. Box 19, Post Code 100, Ghala, Muscat	bilal.m@khimjiramdas.com	Tel: 968 24595906/ 907 Fax: 968 24852752	
<b>Qatar</b>	Teyseer Industrial Supplies & Services Co. WLL 55, Al Wakalat St. (Between St. 18 & 19) Salwa Industrial Area, P.O. Box 40523 Doha	manish@tissco-qatar.com tool.service@tissco-qatar.com	Tel: 974 4581536 Fax: 974 4682024	
	Shaheen Electrical Works & Trading Co. WLL Gate 34, St. 44 Industrial Area P.O. Box 9756, Doha	shaheenelc@gmail.com	Tel: 974 460 02 30 / 460 05 25 Fax: 974 460 13 38	
	<b>KSA</b>	Industrial Material Organization (IMO) P.O. Box 623, Rail Street, Riyadh	service@imo.com.sa	Tel: 966-1 4028010 Ext. 26 Tel: 966-1 8001245757 Fax: 966-1 4037970
Fawaz Ebrahim Al Zayani Trading Est. P.O. Box 76026, Al Raka : 31952		dewaltdammam@hotmail.com	Tel: 966-3 8140914 Fax: 966-3 8140824	
MSS (Al-Mojil Supply & Services) P.O. Box 450, Jubail 31951		mssjubail@almojiservices.com alex.chang@almojiservices.com	Tel: 966-3 3612850 / 3624487 Tel: 966-3 3621729 Fax: 966-3 3623589 / 3620783	
Opp-Gulf Bridge Library & Riyadh House				
EAC (Al Yousef Contg. & Trdg. Est.) P.O. Box 30377, Jeddah -21477		golamkibria77@yahoo.com	Tel: 966-2 6519912 Fax: 966-2 6511153	
Mohamed Ahmed Bin Aff Est. P.O. Box 530, Yanbu, Al Bahr		binaffyanbu@hotmail.com	Tel: 966-4 3222626 / 3228867 Fax: 966-4 3222210	
Garziz Trading for Bldg Mat & Decoration P.O. Box 3364, Madina		agarziz@yahoo.com	Tel: 966-4 826 14 90 / 822 76 36 Fax: 966-4 826 57 41	
Sultan Garment Factory (RSC) P.O. Box 29912, Riyadh 11467		rscservice@digl.net.sa	Tel: 966-1 4055148 / 4042889 Fax: 966-1 4055148	
Al Bawardi Tools & Hardware P.O. Box 112, Dammam 31411		asattar@albawardi.com nibanez@albawardi.com	Tel: 966-3 8330780 Ext. 24 Tel: 966-3 8348585 Ext. 24 Fax: 966-3 8336303	
Al Bawardi Tools & Hardware P.O. Box 68, Riyadh 11411		rbaltao@albawardi.com asamad@albawardi.com	Tel: 966-1 4484999 Fax: 966-3 4487877	
Al Bawardi Tools & Hardware P.O. Box 16905, Jeddah 21474		sharadji@albawardi.com fgaber@albawardi.com	Tel: 966-2 6444547 / 6439035 Tel: 966-2 6456095 Fax: 966-2 6439024	