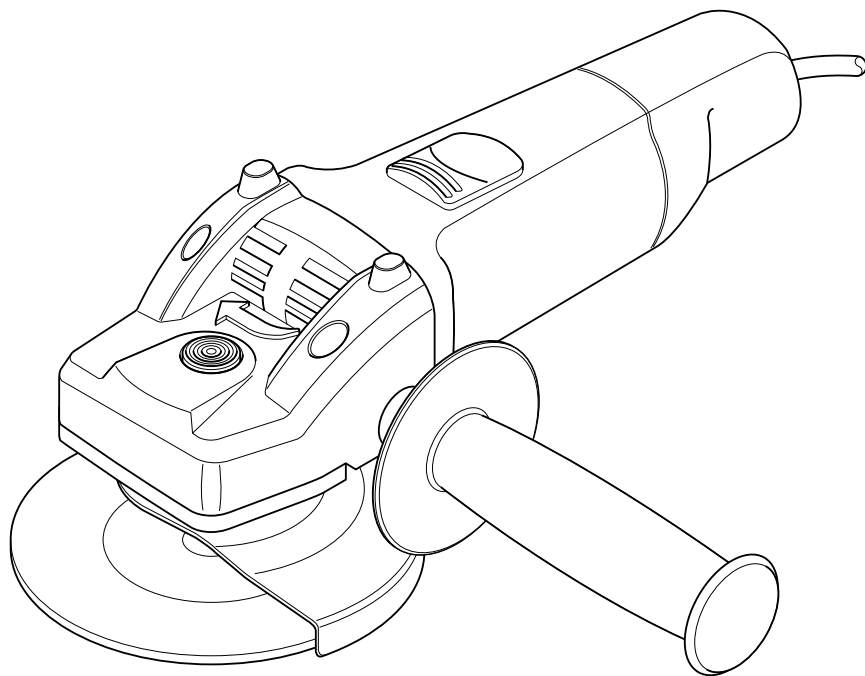


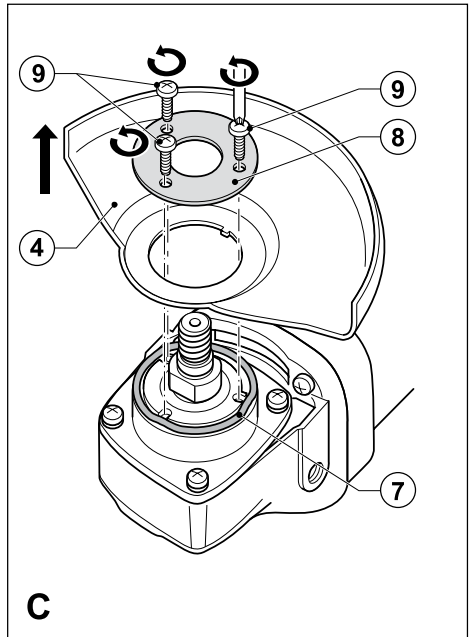
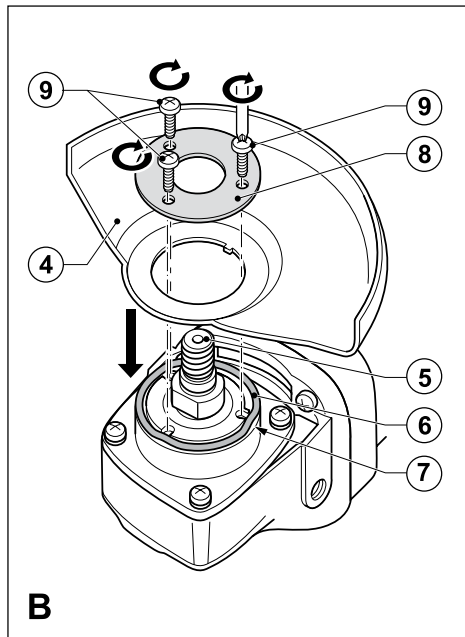
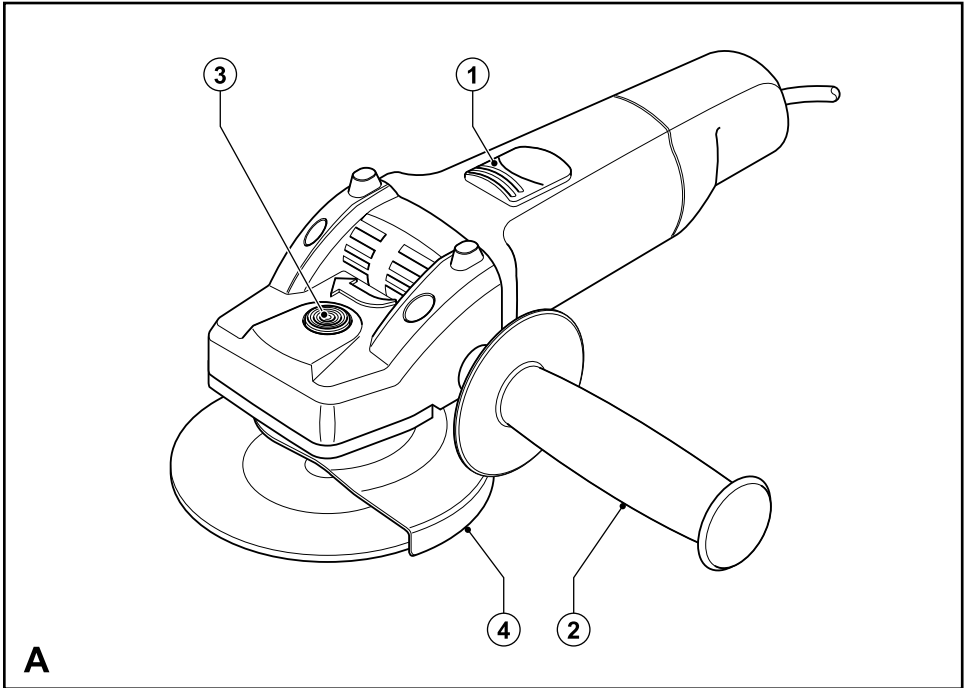


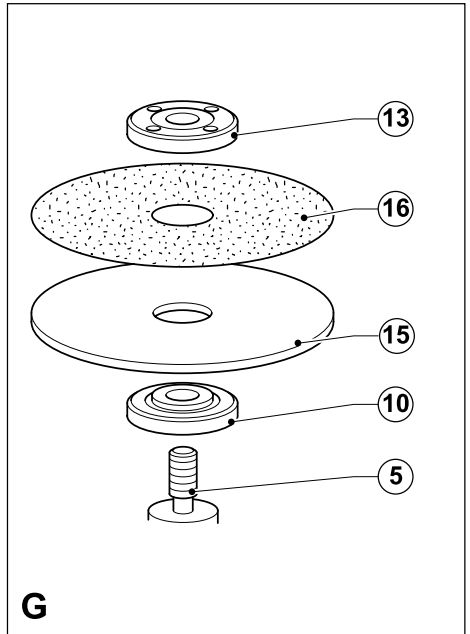
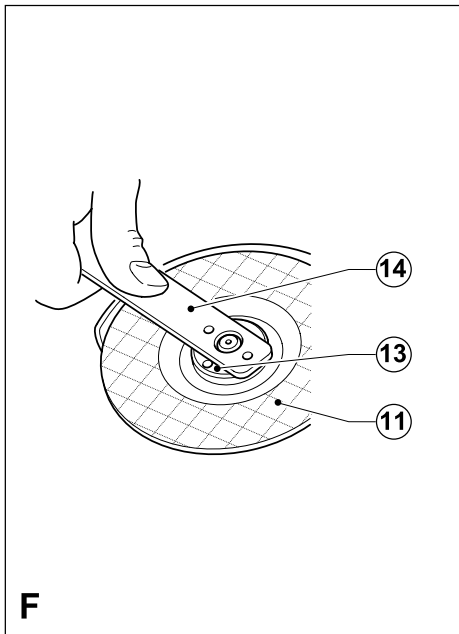
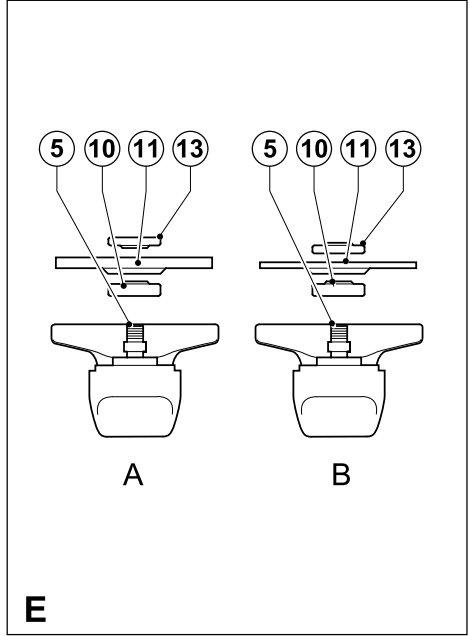
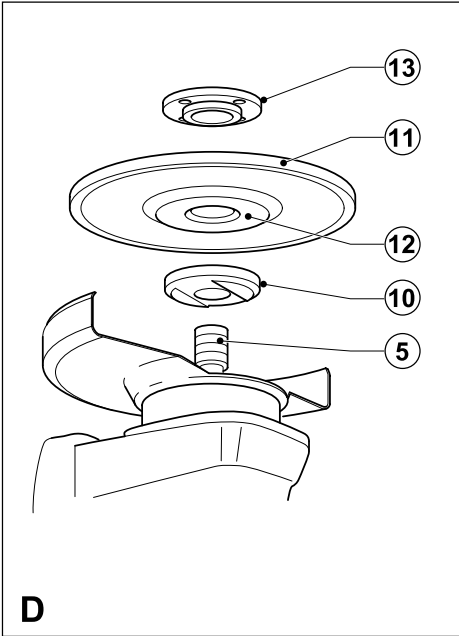
EN

RU

UA







## Intended use,

Your BLACK + DECKER angle grinder has been designed for grinding and cutting metal and masonry using the appropriate type of cutting or grinding disc. When fitted with the appropriate guard, this tool is intended for consumer use only.

## SAFETY INSTRUCTIONS



### General power tool safety warnings.

**Warning! Read all safety warnings and all instructions.** Failure to follow all instructions may result in electric shock, fire and/or serious injury.

### Save all warnings and instructions for future reference.

The term “power tool” in the warnings refers to your mains-operated (corded) power tool or battery-operated (cordless) power tool.

#### 1. Work area safety

- a. **Keep work area clean and well lit.**  
Cluttered or dark areas invite accidents.
- b. **Do not operate power tools in explosive atmospheres, such as in the presence of flammable liquids, gases or dust.** Power tools create sparks which may ignite the dust or fumes.
- c. **Keep children and bystanders away while operating a power tool.** Distractions can cause you to lose control.

#### 2. Electrical safety

- a. **Power tool plugs must match the outlet. Never modify the plug in any way. Do not use any adapter plugs with earthed (grounded) power tools.** Unmodified plugs and matching outlets will reduce risk of electric shock.
- b. **Avoid body contact with earthed or grounded surfaces such as pipes, radiators, ranges and refrigerators.** There is an increased risk of electric shock if your body is earthed or grounded.

- c. **Do not expose power tools to rain or wet conditions.** Water entering a power tool will increase the risk of electric shock.
- d. **Do not abuse the cord. Never use the cord for carrying, pulling or unplugging the power tool. Keep cord away from heat, oil, sharp edges or moving parts.** Damaged or entangled cords increase the risk of electric shock.
- e. **When operating a power tool outdoors, use an extension cord suitable for outdoor use.** Use of a cord suitable for outdoor use reduces the risk of electric shock.
- f. **If operating a power tool in a damp location is unavoidable, use a residual current device (RCD) protected supply.** Use of an RCD reduces the risk of electric shock.

#### 3. Personal safety

- a. **Stay alert, watch what you are doing and use common sense when operating a power tool. Do not use a power tool while you are tired or under the influence of drugs, alcohol or medication.** A moment of inattention while operating power tools may result in serious personal injury.
- b. **Use personal protective equipment. Always wear eye protection.** Protective equipment such as a dust mask, non-skid safety shoes, hard hat, or hearing protection used for appropriate conditions will reduce personal injuries.
- c. **Prevent unintentional starting. Ensure the switch is in the off-position before connecting to power source and/or battery pack, picking up or carrying the tool.** Carrying power tools with your finger on the switch or energising power tools that have the switch on invites accidents.
- d. **Remove any adjusting key or wrench before turning the power tool on.** A wrench or a key left attached to a

rotating part of the power tool may result in personal injury.

- e. **Do not overreach. Keep proper footing and balance at all times.** This enables better control of the power tool in unexpected situations.
  - f. **Dress properly. Do not wear loose clothing or jewellery. Keep your hair and clothing away from moving parts.** Loose clothes, jewellery or long hair can be caught in moving parts.
  - g. **If devices are provided for the connection of dust extraction and collection facilities, ensure these are connected and properly used.** Use of dust collection can reduce dust-related hazards.
  - h. **Do not let familiarity gained from frequent use of tools allow you to become complacent and ignore tool safety principles.** A careless action can cause severe injury within a fraction of a second.
- 4. Power tool use and care**
- a. **Do not force the power tool. Use the correct power tool for your application.** The correct power tool will do the job better and safer at the rate for which it was designed.
  - b. **Do not use the power tool if the switch does not turn it on and off.** Any power tool that cannot be controlled with the switch is dangerous and must be repaired.
  - c. **Disconnect the plug from the power source and/or remove the battery pack, if detachable from the power tool before making any adjustments, changing accessories, or storing power tools.** Such preventive safety measures reduce the risk of starting the power tool accidentally.
  - d. **Store idle power tools out of the reach of children and do not allow persons unfamiliar with the power tool or these instructions to operate the power tool.** Power tools are dangerous in the hands of untrained users.

- e. **Maintain power tools and accessories. Check for misalignment or binding of moving parts, breakage of parts and any other condition that may affect the power tools operation. If damaged, have the power tool repaired before use.** Many accidents are caused by poorly maintained power tools.
  - f. **Keep cutting tools sharp and clean.** Properly maintained cutting tools with sharp cutting edges are less likely to bind and are easier to control.
  - g. **Use the power tool, accessories and tool bits etc. in accordance with these instructions, taking into account the working conditions and the work to be performed.** Use of the power tool for operations different from those intended could result in a hazardous situation.
  - h. **Keep handles and grasping surfaces dry, clean and free from oil and grease.** Slippery handles and grasping surfaces do not allow for safe handling and control of the tool in unexpected situations.
- 5. Service**
- a. **Have your power tool serviced by a qualified repair person using only identical replacement parts.** This will ensure that the safety of the power tool is maintained.

#### Additional Power tool Safety Warnings



**Warning!** Additional safety warnings for grinding, sanding, wire brushing, polishing or abrasive cutting-off operations.

- **This power tool is intended to function as a grinder, sander, wire brush, polisher or cut-off tool. Read all safety warnings, instructions, illustrations and specifications provided with this power tool.** Failure to follow all instructions listed below may result in electric shock, fire and/or serious injury.

- **Operations for which the power tool was not designed may create a hazard and cause personal injury.**
- **Do not use accessories which are not specifically designed and recommended by the tool manufacturer.** Just because the accessory can be attached to your power tool, it does not assure safe operation.
- **The rated speed of the accessory must be at least equal to the maximum speed marked on the power tool.** Accessories running faster than their rated speed can break and fly apart.
- **The outside diameter and the thickness of your accessory must be within the capacity rating of your power tool.** Incorrectly sized accessories cannot be adequately guarded or controlled.
- **The arbour size of wheels, flanges, backing pads or any other accessory must properly fit the spindle of the power tool.** Accessories with arbour holes that do not match the mounting hardware of the power tool will run out of balance, vibrate excessively and may cause loss of control.
- **Do not use a damaged accessory. Before each use inspect the accessory such as abrasive wheels for chips and cracks, backing pad for cracks, tear or excess wear, wire brush for loose or cracked wires. If excess wear, wire brush for loose or cracked wires. If power tool or accessory is dropped, inspect for damage or install an undamaged accessory. After inspecting and installing an accessory and run the power tool at maximum no-load speed for one minute.** Damaged accessories will normally break apart during this test time.
- **Wear personal protective equipment. Depending on application, use face shield, safety goggles or safety glasses. As appropriate, wear dust mask, hearing protectors, gloves and workshop apron hearing protectors, gloves and workshop**
- **apron capable of stopping small abrasive or workpiece fragments.** The eye protection must be capable of stopping flying debris generated by various operations. The dust mask or respirator must be capable of filtering particles generated by your operation. Prolonged exposure to high intensity noise may cause hearing loss.
- **Keep bystanders a safe distance away from work area. Anyone entering the work area must wear personal protective equipment.** Fragments of workpiece or of a broken accessory may fly away and cause injury beyond immediate area of operation.
- **Hold the power tool by insulated gripping surfaces, because the sanding belt / sanding base may contact its own cord.** Cutting a “live” wire may make exposed metal parts of the power tool “live” could give the operator an electric shock.
- **Position the cord clear of the spinning accessory.** If you lose control, the cord may be cut or snagged and your hand or arm may be pulled into the spinning accessory.
- **Never lay the power tool down until the accessory has come to a complete stop.** The spinning accessory may grab the surface and pull the power tool out of your control.
- **Do not run the power tool while carrying it at your side.** Accidental contact with the spinning accessory could snag your clothing, pulling the accessory into your body.
- **Regularly clean the power tool’s air vents.** The motor’s fan will draw the dust inside the housing and excessive accumulation of powdered metal may cause electrical hazards.
- **Do not operate the power tool near flammable materials.** Sparks could ignite these materials.
- **Do not use accessories that require liquid coolants.** Using water or other liquid coolants may result in electrocution or shock.

**Note:** The above warning does not apply for power tools specifically designed for use with a liquid system.

### Kickback and related warnings

Kickback is a sudden reaction to a pinched or snagged rotating wheel, backing pad, brush or any other accessory. Pinching or snagging causes rapid stalling of the rotating accessory which in turn causes the uncontrolled power tool to be forced in the direction opposite of the accessory's rotation at the point of the binding. For example, if an abrasive wheel is snagged or pinched by the workpiece, the edge of the wheel that is entering into the pinch point can dig into the surface of the material causing the wheel to climb out or kick out. The wheel may either jump toward or away from the operator, depending on direction of the wheel's movement at the point of pinching. Abrasive wheels may also break under these conditions. Kickback is the result of power tool misuse and/or incorrect operating procedures or conditions and can be avoided by taking proper precautions as given below.

- **Maintain a firm grip on the power tool and position your body and arm to allow you to resist kickback forces. Always use auxiliary handle, if provided, for maximum control over kickback or torque reaction during start-up.** The operator can control torque reactions or kickback forces, if proper precautions are taken.
- **Never place your hand near the rotating accessory.** Accessory may kickback over your hand.
- **Do not position your body in the area where power tool will move if kickback occurs.** Kickback will propel the tool in direction opposite to the wheel's movement at the point of snagging.
- **Use special care when working corners, sharp edges etc. Avoid bouncing and snagging the accessory.**

Corners, sharp edges or bouncing have a tendency to snag the rotating accessory and cause loss of control or kickback.

- **Do not attach a saw chain woodcarving blade or toothed saw blade.** Such blades create frequent kickback and loss of control.

### Additional safety instructions for grinding and cutting-off operations

#### Safety warnings specific for grinding and abrasive cutting-off operations

- **Use only wheel types that are recommended for your power tool and the specific guard designed for theselected wheel.** Wheels for which the power tool was not designed cannot be adequately guarded and are unsafe.
- **The guard must be securely attached to the power tool and positioned for maximum safety, so the least amount of wheel is exposed towards the operator.** The guard helps to protect operator from broken wheel fragments and accidental contact with wheel.
- **Wheels must be used only for recommended applications. For example: do not grind with the side of cut-off wheel.** Abrasive cut-off wheels are intended for peripheral grinding, side forces applied to these wheels may cause them to shatter.
- **Always use undamaged wheel flanges that are of correct size and shape for your selected wheel.** Proper wheel flanges support the wheel thus reducing the possibility of wheel breakage. Flanges for cut-off wheels may be different from grinding wheel flanges.
- **Do not use worn down wheels from larger power tools.** Wheel intended for larger power tool is not suitable for the higher speed of a smaller tool and may burst.

**Additional safety warnings specific for abrasive cuttingoff operations**

- **Do not “jam” the cut-off wheel or apply excessive pressure. Do not attempt to make an excessive depth of cut.** Over stressing the wheel increases the loading and susceptibility to twisting or binding of the wheel in the cut and the possibility of kickback or wheel breakage.
- **Do not position your body in line with and behind the rotating wheel.** When the wheel, at the point of operation, is moving away from your body, the possible kickback may propel the spinning wheel and the power tool directly at you.
- **When wheel is binding or when interrupting a cut for any reason, switch off the power tool and hold the power tool motionless until the wheel comes to a complete stop. Never attempt to remove the cut-off wheel from the cut while the wheel is in motion otherwise kickback may occur.** Investigate and take corrective action to eliminate the cause of wheel binding.
- **Do not restart the cutting operation in the workpiece. Let the wheel reach full speed and carefully re-enter the cut.** The wheel may bind, walk up or kickback if the power tool is restarted in the workpiece.
- **Support panels or any oversized workpiece to minimize the risk of wheel pinching and kickback.** Large workpieces tend to sag under their own weight. Supports must be placed under the workpiece near the line of cut and near the edge of the workpiece on both sides of the wheel.
- **Use extra caution when making a “pocket cut” into existing walls or other blind areas.** The protruding wheel may cut gas or water pipes, electrical wiring or objects that can cause kickback.

**Safety warnings specific for sanding operations**

- Do not use excessively oversized sanding disc paper. Follow manufacturers recommendations, when selecting sanding paper. Larger sanding paper, extending beyond the sanding pad presents a laceration hazard and may cause snagging, tearing of the disc or kickback.

**Safety warnings specific for polishing operations**

- **Do not allow any loose portion of the polishing bonnet or its attachment strings to spin freely. Tuck away or trim any loose attachment strings.** Loose and spinning attachment strings can entangle your fingers or snag on the workpiece.

**Safety warnings specific for wire brushing operations**

- **Be aware that wire bristles are thrown by the brush even during ordinary operation. Do not overstress the wires by applying excessive load to the brush.** The wire bristles can easily penetrate light clothing and/or skin.
- **If the use of a guard is recommended for wire brushing, do not allow any interference of the wire wheel or brush with the guard.** Wire wheel or brush may expand in diameter due to work load and centrifugal forces.

**Safety of others**

- This appliance is not intended for use by persons (including children) with reduced physical, sensory or mental capabilities, or lack of experience and knowledge, unless they have been given supervision or instruction concerning the use of the appliance by a person responsible for their safety.
- Children should be supervised to ensure that they do not play with the appliance.



**Labels on tools**

**Warning!** To reduce the risk of injury, the user must read the instruction manual.



Wear safety glasses or goggles when using the tool.



Wear ear protection when using this tool.

**Electrical safety**

This tool is double insulated; therefore no earth wire is required. Always check that the power supply

corresponds to the voltage on the rating plate.

- If the supply cord is damaged, it must be replaced by the manufacturer or an authorised Black & Decker Service Centre in order to avoid a hazard.

**Features**

Your tool has some or all of the following features:

1. On/off switch
2. Side handle
3. Spindle lock
4. Guard

**Assembly**

**Warning!** Before assembly, make sure that the tool is switched off and unplugged.

**Fitting and removing the guard (fig. B & C)**

The tool is supplied with a guard intended for grinding purposes only. If the unit is intended to perform cutting off operations, a guard specific for this operation must be fitted. A suitable guard for cutting off operations part number 1004484-01 is available and can be obtained from BLACK + DECKER service centres.

**Fitting**

- Place the tool on a table, with the spindle (5) facing up.

- Place the spring washer (6) over the spindle and locate it on the shoulder (7).
- Place the guard (4) onto the tool as shown.
- Place the flange (8) over the spindle with the protruding pips towards the guard. Make sure that the holes in the flange align with the screw holes.
- Secure the flange with the screws (9). Make sure that the screws are fully tight and that the guard can be rotated.

**Removing**

- Use a screwdriver to remove the screws (9).
- Remove the flange (8), guard (4) and spring washer (7). Store these parts carefully.



**Warning!** Never use the tool without the guard.

**Fitting the side handle**

- Screw the side handle (2) into one of the mounting holes in the tool.



**Warning!** Always use the side handle.

**Fitting and removing grinding or cutting discs (fig. D - F)**

Always use the correct type of disc for your application. Always use discs with the correct diameter and bore size (see technical data).

**Fitting**

- Fit the guard as described above.
- Place the inner flange (10) onto the spindle (5) as shown (fig. D). Make sure that the flange is correctly located on the flat sides of the spindle.
- Place the disc (11) onto the spindle (5) as shown (fig. D). If the disc has a raised centre (12), make sure that the raised centre faces the inner flange.
- Make sure that the disc locates correctly on the inner flange.

- Place the outer flange (13) onto the spindle. When fitting a grinding disc, the raised centre on the outer flange must face towards the disc (A in fig. E). When fitting a cutting disc, the raised centre on the outer flange must face away from the disc (B in fig. E).
- Keep the spindle lock (3) depressed and tighten the outer flange using the two-pin spanner (14) (fig. F).

### Removing

- Keep the spindle lock (3) depressed and loosen the outer flange (13) using the two-pin spanner (14) (fig. F).
- Remove the outer flange (13) and the disc (11).

### Fitting and removing sanding discs (fig. F & G)

For sanding, a backing pad is required. The backing pad is available from your BLACK + DECKER dealer as an accessory.

### Fitting

- Place the inner flange (10) onto the spindle (5) as shown (fig. G). Make sure that the flange is correctly located on the flat sides of the spindle.
- Place the backing pad (15) onto the spindle.
- Place the sanding disc (16) onto the backing pad.
- Place the outer flange (13) onto the spindle with the raised centre facing away from the disc.
- Keep the spindle lock (3) depressed and tighten the outer flange using the two-pin spanner (14) (fig. F). Make sure that the outer flange is fitted correctly and that the disc is clamped tightly.

### Removing

- Keep the spindle lock (3) depressed and loosen the outer flange (13) using the two-pin spanner (14) (fig. F).
- Remove the outer flange (13), the sanding disc (16) and the backing pad (15).

### Residual risks

Additional residual risks may arise when using the tool which may not be included in the enclosed safety warnings. These risks can arise from misuse, prolonged use etc.

Even with the application of the relevant safety regulations and the implementation of safety devices, certain residual risks cannot be avoided. These include:

- Injuries caused by touching any rotating/moving parts.
- Injuries caused when changing any parts, blades or accessories.
- Injuries caused by prolonged use of a tool. When using any tool for prolonged periods make sure you take regular breaks.
- Impairment of hearing.
- Health hazards caused by breathing dust developed when using your tool (example:- working with wood, especially oak, beech and MDF).

### Use



**Warning!** Let the tool work at its own pace. Do not overload.

- Carefully guide the cable in order to avoid accidentally cutting it.
- Be prepared for a stream of sparks when the grinding or cutting disc touches the workpiece.
- Always position the tool in such a way that the guard provides optimum protection from the grinding or cutting disc.

### Switching on and off

- To switch on, slide the on/off switch (1) forward. Note that the tool will continue running when you release the switch.
- To switch off, press the rear part of the on/off switch.



**Warning!** Do not switch the tool off while under load. Hints for optimum use

- Firmly hold the tool with one hand around the side handle and the other hand around the main handle.
- When grinding, always maintain an angle of approx. 15° between the disc and the workpiece surface.

### Maintenance

Your BLACK + DECKER tool has been designed to operate over a long period of time with a minimum of maintenance. Continuous satisfactory operation depends upon proper tool care and regular cleaning.



**Warning!** Before performing any maintenance on corded/cordless power tools:

- Switch off and unplug the appliance/tool.
- Or switch off and remove the battery from the appliance/tool if the appliance/tool has a separate battery pack.
- Or run the battery down completely if it is integral and then switch off.
- Unplug the charger before cleaning it. Your charger does not require any maintenance apart from regular cleaning.
- Regularly clean the ventilation slots in your appliance/tool/charger using a soft brush or dry cloth.
- Regularly clean the motor housing using a damp cloth. Do not use any abrasive or solvent-based cleaner.
- Regularly open the chuck and tap it to remove any dust from the interior (when fitted).

### TECHNICAL DATA

#### G915

Voltage	Vac	220 - 240
Power input	in (W)	900
No-load speed	min <sup>-1</sup>	11000
Disc diameter	mm	125
Disc bore	mm	22.2
Max disc thickness grinding discs	mm	6
cutting discs	mm	3
Spindle size	mm	M14
Weight	kg	2.1

## Protecting the environment



Separate collection. This product must not be disposed of with normal household waste.

Should you find one day that your BLACK+DECKER product needs replacement, or if it is of no further use to you, do not dispose of it with household waste. Make this product available for separate collection.



Separate collection of used products and packaging allows materials to be recycled and used again. Reuse of recycled materials helps prevent environmental pollution and reduces the demand for raw materials.

Local regulations may provide for separate collection of electrical products from the household, at municipal waste sites or by the retailer when you purchase a new product.

BLACK+DECKER provides a facility for the collection and recycling of BLACK+DECKER products once they have reached the end of their working life. To take advantage of this service please return your product to any authorised repair agent who will collect them on our behalf.

You can check the location of your nearest authorised repair agent by contacting your local BLACK+DECKER office at the address indicated in this manual. Alternatively, a list of authorised BLACK+DECKER repair agents and full details of our after-sales service and contacts are available on the Internet at: [www.2helpU.com](http://www.2helpU.com).

## Guarantee

BLACK+DECKER is confident of the quality of its products and offers an outstanding guarantee. This guarantee statement is in addition to and in no way prejudices your statutory rights.

If a Black + Decker product becomes defective due to faulty materials, workmanship or lack of conformity, within 24 months from the date of purchase, BLACK+DECKER guarantees to replace defective parts, repair products subjected to fair wear and tear or replace such products to make sure of the minimum inconvenience to the customer unless:

- The product has been used for trade, professional or hire purposes.
- The product has been subjected to misuse or neglect.
- The product has sustained damage through foreign objects, substances or accidents.
- Repairs have been attempted by persons other than authorised repair agents or Black + Decker service staff.

To claim on the guarantee, you will need to submit proof of purchase to the seller or an authorised repair agent. You can check the location of your nearest authorised repair agent by contacting your local BLACK+DECKER office at the address indicated in this manual. Alternatively, a list of authorised BLACK+DECKER repair agents and full details of our aftersales service and contacts are available on the Internet at: [www.2helpU.com](http://www.2helpU.com)

## Usage prévu

Votre meuleuse d'angle BLACK + DECKER a été conçue pour meuler et découper le métal ainsi que la maçonnerie à l'aide du type de disque de découpage ou de meulage approprié. Lorsque le protège-disque adéquat est en place, cet outil est destiné à un usage domestique uniquement.

## Consignes de sécurité



### Avertissements de sécurité générale concernant l'outil électrique

**Avertissement !** Lisez toutes les consignes de sécurité et toutes les instructions. Le non-respect de ces avertissements et de ces instructions peut provoquer un incendie, une électrocution et/ou de graves blessures.

### Conservez ces avertissements et ces instructions à titre de référence ultérieure.

Le terme « outil électrique » dans les avertissements fait référence à votre outil électrique alimenté par le courant (avec cordon d'alimentation) ou fonctionnant sur batterie (sans cordon).

#### 1. Sécurité de l'aire de travail

- a. **Travaillez dans un endroit propre et bien éclairé.** Les zones encombrées et sombres peuvent entraîner des accidents.
- b. **Ne mettez pas en marche votre outil électrique dans un environnement explosif, ou en présence de liquide inflammable, de gaz ou de poussière.** La mise en marche de l'outil crée des étincelles qui peuvent enflammer les poussières ou vapeurs.
- c. **Éloignez les enfants et les personnes présentes de la zone lorsque l'outil est en fonctionnement.** Toute distraction peut vous faire perdre le contrôle de l'outil.

#### 2. Sécurité électrique

- a. **Les fiches de l'outil électrique doivent correspondre à la prise secteur. Ne modifiez jamais la fiche, de quelque manière que ce soit. N'utilisez pas d'adaptateurs avec des outils ayant une prise de terre (mis à la terre).** Des fiches non modifiées et raccordées aux prises murales correspondantes réduiront les risques de décharge électrique.
- b. **Évitez le contact direct avec les surfaces mises à la terre ou mises à la masse comme les canalisations, les radiateurs, les cuisinières et les réfrigérateurs.** Le risque de décharge électrique augmente si votre corps est mis à la terre ou à la masse.
- c. **N'utilisez pas d'outils électriques dans des environnements pluvieux ou humides.** Si de l'eau s'introduit dans un outil électrique, le risque de décharge électrique augmentera.
- d. **Ne malmenez pas le cordon d'alimentation. N'utilisez jamais le cordon pour transporter, tirer ou débrancher l'outil électrique. Veillez à garder le cordon éloigné des sources de chaleur, des huiles, des rebords coupants ou des pièces mobiles.** Les câbles endommagés ou entremêlés augmentent le risque de décharge électrique.
- e. **Lorsqu'un outil électrique est utilisé à l'extérieur, utilisez uniquement une rallonge spécialement prévue à cet effet.** L'usage d'une rallonge adaptée à l'utilisation en extérieur réduit le risque de décharge électrique.
- f. **Si vous devez utiliser un outil électrique dans un endroit humide, utilisez une alimentation protégée par un dispositif à courant différentiel résiduel (DDR).** L'utilisation d'un DDR réduit le risque de décharge électrique.

#### 3. Sécurité personnelle

- a. **Soyez vigilant, regardez bien ce que vous faites et faites preuve de bon sens lorsque vous utilisez l'outil électrique. N'utilisez pas d'outil**

- électrique si vous êtes sous l'influence de drogues, d'alcool ou de médicaments.** Un instant d'inattention pendant l'utilisation d'outils électriques peut entraîner des blessures graves.
- b. Utilisez un équipement de protection individuel. Utilisez toujours une protection oculaire.** L'utilisation d'équipements de protection tels que les masques anti-poussière, les chaussures de sécurité antidérapantes, les casques de sécurité ou les protections auditives dans des conditions appropriées réduiront les risques de blessures corporelles.
- c. Évitez les démarrages intempestifs. Veillez à ce que l'interrupteur soit en position d'arrêt avant de brancher l'outil à une source d'alimentation et/ou une batterie, de ramasser l'outil ou de le transporter.** Transporter les outils électriques avec le doigt sur l'interrupteur ou brancher les outils électriques avec l'interrupteur en position de marche peut entraîner des accidents.
- d. Retirez toute clé de sécurité ou autre clé de réglage avant de mettre l'outil électrique en marche.** Laisser une clé à molette ou une clé sur une partie rotative de l'outil électrique peut engendrer des blessures corporelles.
- e. Ne vous penchez pas trop. Gardez en permanence une position stable et un bon équilibre.** Cela permet un meilleur contrôle de l'outil électrique dans des situations imprévues.
- f. Portez des vêtements appropriés. Ne portez pas de vêtements amples ou de bijoux. Tenez vos cheveux, vêtements et gants éloignés des pièces mobiles.** Les vêtements amples, les bijoux ou les cheveux longs peuvent être happés par les pièces mobiles.
- g. Si des accessoires destinés au raccordement d'installations d'extraction et de recueil de la poussière sont fournis, assurez-vous qu'ils sont correctement raccordés et utilisés.** L'utilisation de ces appareils peut réduire les risques liés à la présence de poussière.
- h. Ne pensez pas que la familiarité que vous avez acquise en utilisant fréquemment des outils vous permet d'être complaisant et d'ignorer les principes de sécurité concernant l'utilisation des outils.** Une action imprudente peut causer de graves blessures en une fraction de seconde.
- 4. Utilisation et entretien de l'outil électrique**
- a. Ne forcez pas sur l'outil électrique. Utilisez l'outil électrique adapté à votre travail.** L'outil adapté est plus efficace et moins dangereux s'il est utilisé à la vitesse pour laquelle il a été conçu.
- b. N'utilisez pas l'outil si l'interrupteur ne le met pas en position de marche et d'arrêt.** Tout outil qui ne peut être contrôlé par l'interrupteur est dangereux et doit être réparé.
- c. Débranchez la fiche de la source d'alimentation et/ou retirez le bloc de batterie de l'outil avant de procéder à tout réglage, de remplacer des accessoires ou de ranger les outils électriques.** Ces mesures de sécurité préventives réduisent le risque de démarrage accidentel de l'outil électrique.
- d. Conservez les outils électriques inutilisés hors de la portée des enfants et ne laissez pas de personnes non familiarisées avec l'outil ou ces instructions utiliser l'outil électrique.** Les outils électriques sont dangereux pour les utilisateurs inexpérimentés.
- e. Entretenez les outils électriques. Vérifiez l'absence de dérive d'alignement ou de blocage des pièces mobiles, toute possibilité de rupture de pièces et tout état pouvant affecter l'outil lors de son utilisation.** Si l'outil est endommagé, faites-le réparer avant de l'utiliser. De nombreux accidents sont dus à des outils

électriques mal entretenus.

**f. Maintenez les outils de coupe aiguisés et propres.** Les outils de coupe bien entretenus aux bords aiguisés sont moins susceptibles de se coincer et plus faciles à contrôler.

**g. Utilisez l'outil électrique, les accessoires et les lames de l'outil, etc., conformément à ces instructions en prenant en compte les conditions de travail et la tâche à réaliser.**

L'utilisation de l'outil électrique pour des opérations différentes de celles pour lesquelles il a été conçu peut entraîner une situation dangereuse.

**h. Maintenez les poignées et les surfaces de préhension sèches, propres et exemptes d'huile et de graisse.** Des poignées et des surfaces de préhension glissantes ne permettent pas de manipuler l'outil en toute sécurité et de le contrôler dans des situations inattendues.

## 5. Réparation

**a. Faites réparer votre outil électrique par un réparateur agréé utilisant uniquement les pièces de rechange identiques.** Cela permettra de garantir la sécurité de l'outil électrique.

### Avertissements de sécurité supplémentaires concernant l'outil électrique



**Avertissement !** Avertissements de sécurité supplémentaires pour les opérations de meulage,

ponçage, brossage ou découpage par abrasion.

- **Cet outil électrique est destiné à servir de meuleuse. Lisez tous les avertissements de sécurité, les instructions et les illustrations accompagnant cet outil électrique.** Le non-respect des instructions énumérées ci-dessous peut entraîner une décharge électrique, un incendie ou des blessures graves.
- **Toute utilisation de l'outil électrique non conforme à l'usage prévu est**

### **dangereuse et peut provoquer des blessures corporelles.**

- **N'utilisez pas d'accessoires autres que ceux spécialement conçus et recommandés par le fabricant de l'outil.** Le simple fait de pouvoir fixer un accessoire à votre outil ne signifie pas que son utilisation est sécurisée.
- **La vitesse nominale de l'accessoire doit être au moins égale à la vitesse maximale indiquée sur l'outil électrique.** Les accessoires utilisés à une vitesse supérieure à leur vitesse nominale peuvent se briser et se détacher.
- **Le diamètre extérieur et l'épaisseur de votre accessoire doivent être inférieurs à la capacité nominale de votre outil électrique.** Les accessoires de taille incorrecte ne peuvent être correctement protégés ou contrôlés.
- **La taille d'ancrage des disques ou de tout autre accessoire doit être adaptée à la broche de l'outil électrique.** Les accessoires comprenant des tailles d'ancrage qui ne correspondent pas au matériel de montage de l'outil électrique seront déséquilibrés et entraîneront des vibrations excessives pouvant aboutir à une perte de contrôle.
- **N'utilisez pas d'accessoire endommagé. Avant chaque utilisation, vérifiez que l'accessoire, comme un disque abrasif, n'est pas ébréché, craquelé ou défectueux, que la plaque n'est pas fissurée ou usée, et que la brosse est bien fixée et en bon état. En cas de chute de l'outil électrique ou de l'accessoire, vérifiez qu'il n'est pas endommagé ou installez un accessoire en bon état. Après avoir vérifié et installé un accessoire, faites fonctionner l'appareil électrique à vide pendant une minute.** Les accessoires endommagés seront normalement détruits pendant ce test.
- **Portez un équipement de protection**

**individuelle. En fonction de l'utilisation, utilisez un écran facial, des lunettes protectrices contre les agents chimiques ou des lunettes de sécurité. Si besoin, portez un masque anti-poussière, des protections auditives, des gants et un tablier capable d'arrêter les petits fragments abrasifs ou les copeaux des pièces meulées.** La protection oculaire doit pouvoir arrêter les projections de débris générés au cours de différentes opérations. Le masque anti-poussière ou le respirateur doivent être capables de filtrer les particules produites par vos travaux. Une exposition prolongée à des bruits de forte intensité peut provoquer une perte de l'audition.

- **Les personnes présentes doivent se tenir à distance de la zone de travail. Toute personne entrant dans la zone de travail doit porter un équipement de protection individuelle.** Des fragments de pièce meulée ou d'accessoire cassé peuvent être projetés au-delà de la zone d'opération immédiate et provoquer des blessures.
- **Tenez l'outil électrique uniquement par les surfaces isolées prévues à cet effet, parce que la bande abrasive/ la base de ponçage peut entrer en contact avec son propre cordon d'alimentation.** Si un câble « sous ension » est coupé, les pièces métalliques exposées de l'outil électrique risquent de transmettre le courant et d'infliger une décharge électrique à l'opérateur.
- **Éloignez le cordon de l'accessoire en rotation.** Si vous perdez le contrôle de l'outil, le cordon peut être coupé ou s'enrouler autour de l'outil, attirant votre main ou bras en contact avec l'accessoire en rotation.
- **Ne posez jamais l'outil électrique avant que l'accessoire ne soit à l'arrêt complet.** L'accessoire en rotation peut accrocher la surface et vous faire perdre le contrôle de l'outil électrique.

- **Ne faites pas fonctionner l'outil électrique lorsque vous le transportez sur le côté.** Un contact accidentel avec l'accessoire en rotation peut accrocher vos vêtements et mettre l'accessoire en contact avec votre corps.
- **Nettoyez régulièrement les orifices d'aération de l'outil électrique.** Le ventilateur du moteur risque d'attirer la poussière à l'intérieur du logement et une accumulation excessive de métaux peut provoquer des dangers électriques.
- **Ne faites pas fonctionner l'outil électrique à proximité de matériaux inflammables.** Des étincelles pourraient enflammer ces matériaux.
- **N'utilisez pas d'accessoires qui nécessitent des liquides de refroidissement.** L'usage d'eau ou d'autres liquides de refroidissement peut entraîner une électrocution ou une décharge électrique.

**Remarque :** L'avertissement ci-dessus ne s'applique pas aux outils électriques spécialement conçus pour être utilisés avec un système utilisant des liquides.

### Recul et mises en garde associées

Le recul est une réaction soudaine provoquée par le pincement ou l'accrochage d'une meuleuse en rotation, d'une plaque, d'une brosse ou de tout autre accessoire. L'accessoire en rotation cale alors rapidement, ce qui projette l'outil électrique non contrôlé dans la direction opposée à la rotation de l'accessoire au point de pincement entre l'accessoire et la pièce. Par exemple, si un disque abrasif est accroché ou pincé par la pièce à meuler, le rebord du disque qui entre dans le point de pincement peut accrocher la surface du matériau, provoquant des sauts ou des retours de disque. Le disque peut alors dévier vers l'opérateur ou dans la direction opposée, selon la direction de rotation du disque au point de pincement. Les disques abrasifs peuvent également se rompre dans ces conditions. Le recul résulte d'un mauvais



usage de l'outil et/ou de l'inobservation des procédures d'utilisation et peut être évité en suivant les précautions appropriées indiquées ci-dessous.

- **Maintenez fermement l'outil électrique et positionnez votre corps et vos bras de manière à résister aux reculs. Utilisez toujours la poignée auxiliaire, s'il y en a une, afin d'avoir une maîtrise maximale du recul ou de la réaction de couple lors du démarrage.** L'opérateur peut maîtriser les réactions de couple ou les forces de recul s'il prend les précautions appropriées.
- **Ne placez jamais votre main à proximité de l'accessoire en rotation.** L'accessoire peut rebondir sur votre main.
- **Ne vous placez pas dans la zone où l'outil électrique se déplacera en cas de rebond.** Le recul propulse l'outil dans la direction opposée au mouvement du disque au point d'accrochage.
- **Soyez particulièrement attentif lorsque vous travaillez sur des angles, des rebords coupants, etc. Évitez d'accrocher ou de faire rebondir l'accessoire.** Les coins, les rebords tranchants et les rebonds ont tendance à accrocher l'accessoire en rotation et à provoquer une perte de contrôle ou un recul.
- **Ne fixez pas de lame à chaîne coupante pour le bois ou toute autre lame de scie dentée.** Ces lames provoquent souvent des retours et des pertes de contrôle.

**Consignes de sécurité supplémentaires pour les opérations de meulage et de découpage**

**Avertissements de sécurité spécifiques pour les opérations de meulage et de découpage par abrasion**

- **Utilisez uniquement les types de disques recommandés pour votre outil électrique et le protège-disque**

**spécifique conçu pour le disque**

**choisi.** Les disques pour lesquels l'outil électrique n'a pas été conçu ne peuvent être protégés de manière adéquate et sont dangereux.

- **Le protège-disque doit être solidement attaché à l'outil électrique et positionné pour une sécurité maximale, de façon à exposer l'opérateur à la plus petite surface de disque possible.** Le protège-disque permet de protéger l'opérateur des fragments de disque cassés et d'un contact accidentel avec le disque.
- **Les disques doivent être utilisés uniquement pour les applications recommandées. Par exemple, n'utilisez pas le côté d'un disque à découper pour abraser une surface.** Les disques à découper par abrasion sont destinés au meulage périphérique, l'application de forces latérales peut les faire briser en éclats.
- **Utilisez toujours des flasques de disque en bon état, de taille et de forme adaptées au disque choisi.** Les flasques doivent être appropriés afin de réduire les risques de rupture du disque. Les flasques de disques à découper par abrasion peuvent être différents des flasques des autres disques abrasifs.
- **N'utilisez pas de disques usés provenant d'outils électriques plus puissants.** Les disques destinés à des outils électriques plus puissants ne sont pas adaptés à la vitesse supérieure d'un outil plus petit et risquent d'éclater.

**Avertissements de sécurité supplémentaires spécifiques pour les opérations de découpage par abrasion**

- **Ne forcez pas le disque de découpage et n'appliquez pas de pression excessive. N'essayez pas de faire une coupe trop profonde.** Le fait de forcer le disque augmente la charge à laquelle il est soumis et il est ainsi plus susceptible de se tordre ou de s'accrocher lors de la découpe, ou

encore de subir un recul voire de se briser.

- **Ne positionnez pas votre corps dans le plan de coupe du disque rotatif ni derrière.** À l'endroit du meulage, si le disque s'éloigne de votre corps, le recul pouvant se produire risque de propulser le disque rotatif et l'outil électrique directement vers vous.
- **Lorsque le disque s'accroche ou si la découpe est interrompue pour quelque raison que ce soit, éteignez l'outil électrique et tenez-le immobile jusqu'à ce que le disque s'arrête complètement. N'essayez jamais de retirer le disque de découpage de la zone de coupe alors qu'il tourne, autrement il risque de subir un effet de recul.** Recherchez et prenez les mesures correctives nécessaires pour éliminer la cause du grippage du disque.
- **Ne redémarrez pas l'opération de coupe sur la pièce à usiner. Laissez le temps au disque d'atteindre sa vitesse maximale avant d'insérer avec précaution la lame dans la coupe commencée.** Le disque risque de s'accrocher, se déplacer ou reculer si l'outil électrique est redémarré sur la pièce à meuler.
- **Fixez les panneaux ou toute autre pièce lourde à traiter afin de réduire le risque de pincement et de recul.** Les grandes pièces à traiter ont tendance à fléchir sous leur propre poids. Les supports doivent être placés sous la pièce à traiter près de la ligne de coupe et près des rebords de la pièce de chaque côté du disque.
- **Faites particulièrement attention lors de la réalisation d'une « découpe en plongée » dans des murs existants ou d'autres zones sans visibilité.** Le disque saillant risque de couper les tuyaux de gaz ou d'eau, le câblage électrique ou des objets pouvant provoquer un recul.

#### **Avertissements de sécurité spécifiques aux opérations de ponçage**

- N'utilisez pas de papier de disque à poncer trop grand. Suivez les recommandations des fabricants pour choisir le papier à poncer. Le papier à poncer trop grand qui dépasse du patin de ponçage présente un danger de laceration et peut entraîner l'accrochage ou la déchirure du disque, voire un mouvement de recul.

#### **Avertissements de sécurité spécifiques aux opérations de polissage**

- **Ne laissez aucune partie libre du bonnet de polissage ou de ses attaches tourner librement. Mettez de côté ou coupez tout moyen de fixation libre.** Les moyens de fixation libres ou en rotation peuvent entraîner vos doigts ou s'accrocher à la pièce à usiner.

#### **Avertissements de sécurité spécifiques aux opérations de brossage**

- **N'oubliez pas que la brosse éjecte des morceaux de métal, même lors d'une opération ordinaire. Ne pressez pas trop les soies métalliques en exerçant une charge excessive sur la brosse.** Les soies métalliques peuvent transpercer facilement les vêtements fins et/ou la peau.
- **Si l'utilisation d'un protège-disque est recommandée pour le brossage, évitez toute interférence du disque ou de la brosse métallique avec le protège-disque.** Le diamètre du disque ou de la brosse métallique peut augmenter en raison de la charge de travail et des forces centrifuges.

#### **Sécurité d'autrui**

- Cet appareil n'est pas prévu pour être utilisé par des personnes (y compris les enfants) présentant des capacités physiques, sensorielles ou mentales réduites, ou manquant d'expérience et de connaissances, sans surveillance ou sans avoir reçu d'instructions concernant l'utilisation de l'appareil de la part d'une personne responsable de leur sécurité.
- Les enfants doivent être surveillés pour

## Étiquettes sur l'outil

L'étiquette de votre outil peut comporter les symboles suivants avec le code de date:



**Avertissement !** Afin de réduire le risque de blessure, l'utilisateur doit lire le manuel d'instruction.



Portez des lunettes de sécurité ou un masque de protection lors de l'utilisation de l'outil.



Portez une protection auditive lors de l'utilisation de cet outil.

## Sécurité électrique



Cet outil dispose d'une double isolation ; par conséquent, aucun fil de terre n'est nécessaire. Vérifiez toujours que l'alimentation du secteur correspond à celle de la plaque signalétique.

- Si le cordon d'alimentation est abîmé, il doit être remplacé par le fabricant ou un centre de services agréé BLACK+DECKER afin d'éviter tout danger.

## Fonctionnalités

Votre outil dispose d'une partie ou de l'ensemble des caractéristiques suivantes :

1. Interrupteur Marche/arrêt
2. Poignée latérale
3. Verrouillage de la broche
4. Protège-disque

## Assemblage



**Avertissement !** Avant le montage, assurez-vous que l'outil est éteint et débranché.

## Montage et démontage du protège-disque (fig. B et C)

L'outil est fourni avec un protège-disque destiné au meulage uniquement. Si vous prévoyez d'utiliser l'appareil pour réaliser des opérations de découpage, un protège-disque spécifique pour cette opération doit être installé. Un protège-disque adapté aux opérations de découpage (réf. 1004484-01) est disponible et peut être

obtenu auprès des centres de services BLACK + DECKER.

## Montage

- Placez l'outil sur une table, avec la broche (5) vers le haut.
- Placez la rondelle élastique (6) sur la broche et disposez l'ensemble sur l'épaule (7).
- Placez la bride extérieure (13) sur la broche. Lors du montage d'un disque de meulage, le centre surélevé de la bride extérieure doit se trouver face au disque (A sur la fig. E). Lors du montage d'un disque de découpage, le centre surélevé de la bride extérieure doit être du côté opposé au disque (B sur la fig. E).
- Laissez le verrouillage de la broche (3) enfoncé et serrez la bride extérieure à l'aide de la clé à deux ergots (14) (fig. F).

## Démontage

- Maintenez le verrouillage de la broche (3) enfoncé et desserrez la bride extérieure (13) à l'aide de la clé à deux ergots (14) (fig. F).
- Retirez la bride extérieure (13) et le disque (11).

## Montage et démontage des disques de ponçage (fig. F & G)

Pour le ponçage, un plateau de support est nécessaire. Le plateau de support est disponible en option auprès de votre revendeur BLACK + DECKER.

## Montage

- Placez la bride intérieure (10) sur la broche (5), comme indiqué (fig. G). Veillez à ce que la bride soit correctement disposée sur les côtés plats de la broche.
- Placez le plateau de support (15) sur la broche.
- Placez le disque de ponçage (16) sur le plateau de support.

- Placez la bride extérieure (13) sur la broche, le centre surélevé du côté opposé au disque.
- Laissez le verrouillage de la broche (3) enfoncé et serrez la bride extérieure à l'aide de la clé à deux ergots (14) (fig. F). Veillez à ce que la bride extérieure soit installée correctement et que le disque soit fermement fixé.

### Démontage

- Maintenez le verrouillage de la broche (3) enfoncé et desserrez la bride extérieure (13) à l'aide de la clé à deux ergots (14) (fig. F).
- Retirez la bride extérieure (13), le disque de ponçage (16) et le plateau de support (15).

### Risques résiduels

Il se peut que des risques résiduels additionnels non inclus dans les avertissements de sécurité du présent manuel surviennent lors de l'utilisation de l'outil. Ces risques peuvent provenir d'une utilisation inappropriée ou prolongée, etc.

Malgré l'application des instructions de sécurité en vigueur et la mise en œuvre des dispositifs de sécurité, certains risques résiduels ne peuvent être évités. Ces risques comprennent :

- Des blessures provoquées par le contact avec des pièces mobiles / rotatives.
- Des blessures provoquées lors du changement des pièces, forets ou accessoires.
- Des blessures provoquées par un usage prolongé d'un outil. Assurez-vous de prendre régulièrement des pauses lors d'un usage prolongé d'un outil.
- Des troubles de l'audition.
- Il existe des risques pour la santé causés par l'inhalation de poussières qui se développent lors de l'utilisation de votre outil (exemple : travailler avec du bois, en particulier du chêne, du

hêtre ou du MDF).

### Mode d'emploi



**Avertissement !** Laissez l'outil fonctionner à son propre rythme. Ne le surchargez pas.

- Guidez le câble avec précaution afin d'éviter de le couper accidentellement.
- Préparez-vous à voir une gerbe d'étincelles lorsque le disque de meulage ou de découpage touche l a pièce à usiner.
- Placez toujours l'outil de sorte que le protège-disque assure une protection optimale contre le disque de meulage ou de découpage.

### Mise sous et hors tension

- Pour allumer, faites glisser l'interrupteur Marche/Arrêt (1) vers l'avant. Notez que l'outil continue à fonctionner quand vous relâchez l'interrupteur.
- Pour éteindre, appuyez sur l'arrière de l'interrupteur Marche/Arrêt.



**Avertissement !** N'éteignez pas l'outil lorsqu'il est en charge. Conseils pour une utilisation optimale

- Tenez fermement l'outil avec une main sur la poignée latérale et l'autre sur la poignée principale.
- Lors du meulage, maintenez toujours un angle d'env. 15° entre le disque et la surface de la pièce à usiner.

### Entretien

Votre appareil BLACK + DECKER a été conçu pour fonctionner pendant une longue période avec un minimum d'entretien. Un fonctionnement continu satisfaisant de l'outil dépend d'un entretien soigneux et régulier.



**Avertissement !** Avant d'effectuer des tâches d'entretien sur un outil électrique avec ou sans cordon :

- Éteignez l'appareil/outil et débranchez-le.
- Ou éteignez-le et retirez la batterie de l'appareil/outil si l'appareil/outil dispose d'une batterie séparée.
- Ou déchargez la batterie complètement si elle ne peut être démontée, puis éteignez l'appareil/outil.
- Débranchez le chargeur avant de le nettoyer. Votre chargeur n'exige aucun entretien en dehors d'un nettoyage régulier.
- Nettoyez régulièrement les fentes d'aération de votre appareil/outil et du chargeur à l'aide d'une brosse douce ou un chiffon sec.
- Nettoyez régulièrement le boîtier du moteur à l'aide d'un chiffon humide. N'utilisez pas d'agent nettoyant abrasif ou à base de solvant.
- Ouvrez régulièrement le mandrin et tapotez-le pour nettoyer toute poussière à l'intérieur (lorsqu'il est utilisé).

**TEKNİK ÖZELLİKLERİ****G915**

Tension	V ca	220 - 240
Alimentation électrique	entrée (W)	900
Vitesse à vide	min -1	11000
Diamètre de disque	mm	125
Alésage de disque	mm	22.2
Épaisseur maximale de disque disques de meulage	mm	6
disques de découpage	mm	3
Taille de la broche	mm	M14
Poids	kg	2.1

**Protection de l'environnement**

Collecte séparée. Ce produit ne doit pas être jeté avec les ordures ménagères. Si vous décidez de remplacer ce produit BLACK+DECKER, ou si vous n'en avez plus l'utilité, ne le jetez pas avec vos déchets domestiques. Mettez-le dans un point de collecte séparée approprié.



Le tri sélectif de produits usés et d'emballages permet de recycler les matériaux et de les réutiliser. La réutilisation des matériaux recyclés permet d'éviter la pollution de l'environnement et de réduire la demande de matières premières.

La réglementation locale peut prévoir le tri sélectif des produits électriques ménagers sur les sites d'élimination municipaux ou par le détaillant lors de l'achat d'un nouveau produit.

BLACK+DECKER met à disposition un centre de collecte et de recyclage pour les produits BLACK+DECKER ayant atteint la fin de leur durée de service. Pour profiter de ce service, veuillez retourner votre produit à un agent de réparation agréé qui se chargera de la collecte.

Vous pouvez trouver l'agent de réparation agréé le plus proche en contactant votre agence BLACK+DECKER locale à l'adresse indiquée dans ce manuel. Autrement, une liste d'agents de réparation agréés BLACK+DECKER et des informations complètes concernant notre service après-vente, y compris les coordonnées, sont disponibles en ligne à l'adresse suivante : [www.2helpU.com](http://www.2helpU.com).

## Garantie

BLACK+DECKER vous assure la qualité de ses produits et vous offre une garantie très étendue. Ce certificat de garantie est un document supplémentaire et ne peut en aucun cas se substituer à vos droits légaux.

Si un produit BLACK+DECKER s'avère défectueux en raison de matériaux en mauvais état, d'une erreur humaine, ou d'un manque de conformité dans les 24 mois suivant la date d'achat, BLACK+DECKER garantit le remplacement des pièces défectueuses, la réparation des produits usés ou cassés ou remplace ces produits à la convenance du client, sauf dans les circonstances suivantes:

- Le produit a été utilisé dans un but commercial, professionnel, ou a été loué.
- Le produit a été mal utilisé ou avec négligence.
- Le produit a subi des dommages à cause de corps étrangers, de substances ou d'accidents.
- Des réparations ont été tentées par des techniciens ne faisant pas partie du service technique de BLACK+DECKER.

Pour avoir recours à la garantie, il est nécessaire de fournir une preuve d'achat au vendeur ou à un réparateur agréé. Pour

connaître l'adresse du réparateur agréé le plus proche de chez vous, contactez le bureau BLACK+DECKER à l'adresse

indiquée dans ce manuel. Vous pourrez aussi trouver une liste de réparateurs agréés de BLACK+DECKER et de plus amples détails sur notre service après-vente sur le site Internet à l'adresse suivante : [www.2helpU.com](http://www.2helpU.com): **www.2helpU.com**

## Назначение

Ваша угловая шлифмашина BLACK+DECKER предназначена для шлифования и резки металла и стеновых материалов с использованием отрезных и шлифовальных дисков соответствующего типа. При установке защитного кожуха соответствующего типа данный инструмент предназначен только для бытового использования.

## ИНСТРУКЦИИ ПО ТЕХНИКЕ БЕЗОПАСНОСТИ



**Общие правила безопасности при работе с электроинструментами**

**Внимание! Внимательно прочтите все инструкции по безопасности и руководство по эксплуатации.**

**Warning! Read all safety warnings and all instructions.** Несоблюдение всех перечисленных ниже правил безопасности и инструкций может привести к поражению электрическим током, возникновению пожара и/или получению тяжёлой травмы.

**Сохраните все инструкции по безопасности и руководство по эксплуатации для их дальнейшего использования.**

Термин «Электроинструмент» во всех приведённых ниже указаниях относится к вашему сетевому (с кабелем) электроинструменту или аккумуляторному (беспроводному) электроинструменту.

### 1. Безопасность рабочего места

- a. **Содержите рабочее место в чистоте и обеспечьте хорошее освещение.** Плохое освещение или беспорядок на рабочем месте может привести к несчастному случаю.
- b. **Не используйте электроинструменты, если есть опасность возгорания или взрыва, например, вблизи легко воспламеняющихся жидкостей, газов или пыли.** В процессе работы электроинструменты создают искровые разряды, которые могут воспаленить пыль или горючие пары.
- c. **Во время работы с электроинструментом не подпускайте**

**близко детей или посторонних лиц.** Отвлечение внимания может вызвать у вас потерю контроля над рабочим процессом.

### 2. Электробезопасность

- a. **Вилка кабеля электроинструмента должна соответствовать штепсельной розетке. Ни в коем случае не видоизменяйте вилку электрического кабеля. Не используйте соединительные штепсели-переходники, если в силовом кабеле электроинструмента есть провод заземления** Использование оригинальной вилки кабеля и соответствующей ей штепсельной розетки уменьшает риск поражения электрическим током.
- b. **Во время работы с электроинструментом избегайте физического контакта с заземлёнными объектами, такими как трубопроводы, радиаторы отопления, электроплиты и холодильники.** Риск поражения электрическим током увеличивается, если ваше тело заземлено.
- c. **Не используйте электроинструмент под дождём или во влажной среде.** Попадание воды в электроинструмент увеличивает риск поражения электрическим током.
- d. **Бережно обращайтесь с электрическим кабелем. Ни в коем случае не используйте кабель для переноски электроинструмента или для вытягивания его вилки из штепсельной розетки. Не подвергайте электрический кабель воздействию высоких температур и смазочных веществ; держите его в стороне от острых кромок и движущихся частей.** Повреждённый или запутанный кабель увеличивает риск поражения электрическим током.
- e. **При работе с электроинструментом на открытом воздухе используйте удлинительный кабель, предназначенный для наружных работ.** Использование кабеля, пригодного для работы на открытом

воздухе, снижает риск поражения электрическим током.

- f. При необходимости работы с электроинструментом во влажной среде используйте источник питания, оборудованный устройством защитного отключения (УЗО). Использование УЗО снижает риск поражения электрическим током.

### 3. Личная безопасность

- a. При работе с электроинструментами будьте внимательны, следите за тем, что вы делаете, и руководствуйтесь здравым смыслом. Не используйте электроинструмент, если вы устали, а также находясь под действием алкоголя или понижающих реакцию лекарственных препаратов и других средств. Малейшая неосторожность при работе электроинструментами может привести к серьёзной травме.

- b. При работе используйте средства индивидуальной защиты. Всегда надевайте защитные очки. Своевременное использование защитного снаряжения, а именно: пылезащитной маски, ботинок на нескользящей подошве, защитного шлема или противошумовых наушников, значительно снизит риск получения травмы.

- c. Не допускайте непреднамеренного запуска. Перед тем, как подключить электроинструмент к сети и/или аккумулятору, поднять или перенести его, убедитесь, что выключатель находится в положении «выключено». Не переносите электроинструмент, держа палец на пусковом выключателе, и не подключайте к сетевой розетке электроинструмент, выключатель которого установлен в положение «включено», это может привести к несчастному случаю.

- d. Перед включением электроинструмента снимите с него все регулировочные или гаечные ключи. Регулировочный или гаечный ключ, оставленный закрепленным на вращающейся части

электроинструмента, может стать причиной получения тяжёлой травмы.

- e. Работайте в устойчивой позе. Всегда твёрдо стойте на ногах, сохраняя равновесие. Это позволит вам не потерять контроль при работе электроинструментом в непредвиденной ситуации.

- f. Одевайтесь соответствующим образом. Во время работы не надевайте свободную одежду или украшения. Следите за тем, чтобы ваши волосы, одежда или перчатки находились в постоянном отдалении от движущихся частей инструмента. Свободная одежда, украшения или длинные волосы могут попасть в движущиеся части инструмента.

- g. Если электроинструмент снабжён устройством сбора и удаления пыли, убедитесь, что данное устройство подключено и используется надлежащим образом. Использование устройства пылеудаления значительно снижает риск возникновения несчастного случая, связанного с запылённостью рабочего пространства.

- h. Даже если Вы являетесь опытным пользователем и часто используете подобные инструменты, не позволяйте себе расслабляться и игнорировать правила безопасности при использовании инструментов. Неосторожность и невнимательность при работе могут привести к тяжёлым травмам за доли секунды.

### 4. Использование электроинструментов и технический уход

- a. Не перегружайте электроинструмент. Используйте ваш инструмент по назначению. Электроинструмент работает надёжно и безопасно только при соблюдении параметров, указанных в его технических характеристиках.

- b. Не используйте электроинструмент, если его выключатель не устанавливается в положение включения или выключения. Электроинструмент с неисправным



выключателем представляет опасность и подлежит ремонту.

- c. **Отключайте электроинструмент от сетевой розетки и/ или извлекайте аккумулятор (если имеется) перед регулировкой, заменой принадлежностей или при хранении электроинструмента.** Такие меры предосторожности снижают риск случайного включения электроинструмента.
- d. **Храните неиспользуемые электроинструменты в недоступном для детей месте и не позволяйте лицам, не знакомым с электроинструментом или данными инструкциями, работать с электроинструментом.** Электроинструменты представляют опасность в руках неопытных пользователей.
- e. **Регулярно проверяйте исправность электроинструмента и дополнительных принадлежностей. Проверяйте точность совмещения лёгкость перемещения подвижных частей, целостность деталей и любых других элементов электроинструмента, воздействующ их на его работу. Не используйте неисправный электроинструмент, пока он не будет полностью отремонтирован** Большинство несчастных случаев являются следствием недостаточного технического ухода за электроинструментом.
- f. **Следите за остротой заточки и чистотой режущих принадлежностей.** Принадлежности с острыми кромками позволяют избежать заклинивания и делают работу менее утомительной.
- g. **Используйте электроинструмент, аксессуары и насадки в соответствии с данным Руководством по эксплуатации и с учётом рабочих условий и характера будущей работы.** Использование электроинструмента не по назначению может создать опасную ситуацию.

- h. **Следите, чтобы рукоятки и поверхности захвата оставались сухими, чистыми и не содержали следов масла и консистентной смазки.** Скользкие рукоятки и поверхности захвата не обеспечивают безопасное обращение и управление инструментом в неожиданных ситуациях.

## 5. Техническое обслуживание

- a. **Ремонт вашего электроинструмента должен производиться только квалифицированными специалистами с использованием идентичных запасных частей.** Это обеспечит безопасность вашего электроинструмента в дальнейшей эксплуатации.

### Дополнительные меры безопасности при работе с электроинструментами



**Внимание! Дополнительные правила безопасности при выполнении работ по шлифованию, зачистке, очистке металлической щёткой, полировке или абразивной резке**

- Данный электроинструмент предназначен для шлифования, зачистки, очистки металлической щёткой, полировки и абразивной резки. Внимательно прочтите все инструкции по использованию, правила безопасности, спецификации, а также рассмотрите все иллюстрации, входящие в руководство по эксплуатации данного электроинструмента. Несоблюдение всех перечисленных ниже инструкций может привести к поражению электрическим током, возникновению пожара и/ или получению серьёзной травмы.
- Использование инструмента не по назначению может привести к повреждению инструмента и получению телесной травмы.
- Не используйте дополнительные принадлежности и насадки, специально не разработанные и не

**рекомендованные производителем инструмента.** Возможность установки принадлежностей и насадок на электроинструмент не обеспечивает безопасности при его использовании.

- **Номинальная скорость вращения насадок должна соответствовать скорости, указанной на электроинструменте.** Насадки при вращении на скорости, превышающей их номинальную скорость, могут разрушиться и сорваться с крепления.
- **Внешний диаметр и толщина насадки должны соответствовать диапазону мощности вашего электроинструмента.** Насадка неправильного размера не закрывается надлежащим образом защитным кожухом и не обеспечивает контроля при управлении инструментом.
- **Посадочные отверстия абразивных дисков, фланцев, шлифовальных подошв и прочих сменных обрабатываемых принадлежностей должны полностью соответствовать типоразмеру шпинделя электроинструмента.** Насадки с посадочными отверстиями, не соответствующими крепёжным деталям электроинструмента, могут стать причиной разбалансированности, повышенной вибрации и потери контроля над электроинструментом.
- **Не используйте повреждённые насадки.** Перед каждым использованием проверяйте абразивные диски на наличие сколов и трещин, диски-подошвы - на наличие надрывов и трещин, проволочные щётки - на наличие ослабленной или сломанной проволоки. В случае падения электроинструмента или насадки проверьте их на наличие повреждений или установите неповреждённую насадку. После проверки и установки насадки запустите инструмент на

**максимальной скорости без нагрузки в течение одной минуты.**

Повреждённые насадки отлетят в сторону в течение данного тестового периода.

- **Используйте средства индивидуальной защиты. В зависимости от типа выполняемых работ надевайте щиток для защиты лица, защитную маску или защитные очки. В соответствии с необходимостью надевайте респиратор, защитные наушники, перчатки и рабочий фартук, способный защитить от отлетающих мелких абразивных частиц и фрагментов обрабатываемой детали.** Средства защиты для глаз должны останавливать частицы, вылетающие при выполнении различных видов работ. Противопылевая маска или респиратор должны обеспечивать фильтрацию твёрдых частиц, образующихся в ходе работ. Длительное воздействие шума высокой интенсивности может привести к нарушениям слуха.
- **Не подпускайте посторонних лиц близко к рабочей зоне. Любое лицо, входящее в рабочую зону, должно использовать средства индивидуальной защиты.** Отлетающие фрагменты обрабатываемой детали или разрушенной насадки могут стать причиной получения травмы даже за пределами рабочей зоны.
- **Держите электроинструмент за изолированные поверхности, поскольку шлифовальная лента/ подошва может задеть собственный кабель.** Разрезание находящегося под напряжением провода делает не покрытые изоляцией металлические части электроинструмента также «живыми», что создаёт опасность поражения оператора электрическим током.
- **Располагайте кабель подключения к электросети на удалении от**

**вращающейся насадки.** В случае потери контроля кабель может быть разрезан или заземлён, а Ваша рука может быть затянута вращающейся насадкой.

- **Никогда не кладите электроинструмент, пока насадка полностью не остановится.** Вращающаяся насадка может задеть за поверхность, и электроинструмент вырвется из ваших рук.
- **Не включайте электроинструмент, если насадка направлена на вас.** Случайный контакт с вращающейся насадкой может привести к захвату насадкой вашей одежды и получению телесной травмы.
- **Регулярно очищайте вентиляционные отверстия электроинструмента.** Вентилятор электродвигателя затягивает пыль внутрь корпуса, а скопление большого количества пыли на металле электродвигателя повышает риск поражения электротоком.
- **Не используйте электроинструмент вблизи с пожароопасными материалами.** Искровые разряды могут привести к их воспламенению.
- **Не используйте насадки, требующие жидкостного охлаждения.** Использование воды или других жидких охлаждающих средств может привести к поражению электрическим током вплоть до смертельного исхода.

**Примечание:** Данное предупреждение не относится к электроинструментам, специально разработанным для использования с жидкостными системами.

#### **Причины обратного удара и меры по его предотвращению**

Обратный удар является внезапной реакцией на защемление или застревание вращающегося диска, диска-подшвы, щётки или какой-либо другой насадки. Защемление или застревание могут стать причиной мгновенной остановки вращающейся насадки, что в свою очередь приводит к потере контроля над электроинструментом и его внезапному

отбрасыванию назад в направлении, противоположном вращению насадки. Например, если абразивный диск был заземлён или застрял в заготовке, край диска в момент защемления может врезаться в поверхность заготовки, в результате чего диск поднимается или отскакивает назад. В зависимости от направления движения диска в момент защемления, диск может резко подняться в сторону или от оператора. В этот момент абразивные диски могут также сломаться. Обратный удар является результатом использования электроинструмента не по назначению и/или неправильных действий оператора и условий работы, и его можно избежать, соблюдая следующие меры безопасности.

- **Крепко удерживайте электроинструмент и следите за положением тела и рук, чтобы эффективно противостоять воздействию обратного удара.** Для максимального контроля силы обратного удара или реакции от крутящего момента всегда используйте вспомогательную рукоятку, если она предусмотрена. При соблюдении соответствующих мер предосторожности оператор может контролировать силу обратного удара и реакцию от крутящего момента.
- **Никогда не держите руки вблизи от вращающейся насадки.** При обратном ударе насадка может поранить ваши руки.
- **Не стойте в зоне действия обратного удара электроинструмента.** В момент заклинивания сила обратного удара отбросит инструмент в направлении, обратном движению диска.
- **Будьте особенно осторожны при обработке углов, острых кромок и пр. Избегайте отскакивания и заклинивания насадки.** Именно при обработке углов, острых кромок или при отскакивании высока вероятность заклинивания вращающейся насадки, что может послужить причиной потери контроля над инструментом или

образования обратного удара.

- **Не устанавливайте на инструмент диск для резьбы по дереву или зубчатый пильный диск.** Данные диски увеличивают вероятность возникновения обратного удара и потери контроля над инструментом.

#### Дополнительные меры безопасности при шлифовании и резке

##### Меры безопасности при выполнении операций по шлифованию и резке с использованием абразивных дисков

- **Используйте только диски, рекомендованные для использования с вашим электроинструментом, а также защитные кожухи, специально разработанные для выбранного типа дисков.** Диски, не предназначенные для использования с данным электроинструментом, не будут надёжно защищены кожухом и представляют опасность.
- **Защитный кожух должен быть надёжно закреплён на электроинструменте. Для достижения максимальной безопасности кожух должен быть установлен таким образом, чтобы со стороны оператора была открыта самая незначительная часть диска.** Защитный кожух поможет защитить оператора от фрагментов разрушенного диска и случайного контакта с диском.
- **Диски должны использоваться только строго в соответствии с их назначением. Например, не выполняйте шлифование боковой стороной отрезного диска.** Абразивные отрезные диски предназначены для шлифования периферией диска, поэтому боковая сила, применимая к данному типу дисков, может стать причиной их разрушения.
- **Всегда используйте неповреждённые дисковые фланцы, размер и форма которых полностью соответствуют выбранному вами типу дисков.** Правильно подобранные дисковые

фланцы поддерживают диск, снижая вероятность его разрушения. Фланцы для отрезных дисков могут отличаться от фланцев для шлифовальных дисков.

- **Никогда не используйте изношенные диски с электроинструментов большей мощности.** Диски, предназначенные для использования с электроинструментами большей мощности, не подходят для высоких скоростей инструментов меньшей мощности, и могут разрушиться.

##### Дополнительные специальные меры безопасности при резке с использованием абразивных дисков

- **Не давите на отрезной диск и не оказывайте на него чрезмерного давления. Не пытайтесь выполнить слишком глубокий разрез.** Чрезмерное напряжение диска увеличивает нагрузку на диск, результатом которой может стать деформация или заедание в момент резания, возможность возникновения обратного удара, а также поломка диска.
- **Не стойте на одной линии и позади вращающегося диска. При вращении диска в момент выполняемой операции в направлении от оператора, возможный обратный удар может отбросить электроинструмент с вращающимся диском прямо на Вас. В случае заклинивания диска или при прерывании процесса резки по какой-либо причине выключите электроинструмент и удерживайте его неподвижно в пропиле до полной остановки диска. Ни в коем случае не пытайтесь вытащить отрезной диск из заготовки, пока он ещё вращается, так как это может вызвать обратный удар.** Выясните причину заклинивания диска и примите надлежащие меры по её устранению.
- **Не возобновляйте прерванную операцию с диском в заготовке. Позвольте диску достичь максимальной скорости аккуратно введите его в разрез.** В противном случае, при повторном

включении электроинструмента диск может сломаться, подняться или выскочить обратно из заготовки

- **Для сведения к минимуму риска заземления диска и обратного удара размещайте панели или заготовки больших размеров на опорах.** Большие заготовки имеют тенденцию прогибаться под тяжестью собственного веса. Устанавливайте опоры под заготовкой по обе стороны от диска, около линии реза и краёв заготовки.
- **Будьте особенно внимательны при сквозном врезании в стены и другие сплошные поверхности.** Выступающий диск может врезаться в газовую или водопроводную трубу, электропроводку или в объекты, вызывающие обратный удар.

#### Специальные меры безопасности при шлифовании

- Не используйте шлифовальные диски, диаметр которых намного превышает диаметр подошвы. При выборе шлифовальной бумаги пользуйтесь рекомендациями изготовителя. Шлифовальная бумага, выступающая за пределы подошвы шлифмашины, может порваться, что станет причиной повреждения диска или вызовет обратный удар.

#### Специальные меры безопасности при полировке

- **Следите за тем, чтобы полировальная насадка была плотно установлена на подошве, а концы завязок были убраны. Уберите или отрежьте все выступающие концы завязок.** Свободно свисающие и вращающиеся завязки могут запутать Ваши пальцы или застрять в обрабатываемой заготовке.

#### Специальные меры безопасности при работе с использованием проволочных щёток

- **Помните, что кусочки проволоки отскакивают от проволочной щётки даже при выполнении обычной операции. Не надавливайте на щётку, оказывая на неё чрезмерное**

**давление.** Обрывки проволоки легко могут проникнуть через лёгкую одежду и/или попасть на кожу.

- **Если при работе щёткой рекомендовано использование защитного кожуха, не допускайте ни малейшего соприкосновения проволочной щётки или диска с кожухом.** В процессе работы и под воздействием центробежной силы проволочный диск или щётка могут увеличиться в диаметре.

#### Безопасность посторонних лиц

- Данный инструмент не может использоваться людьми (включая детей) со сниженными физическими, сенсорными и умственными способностями или при отсутствии необходимого опыта или навыка, за исключением, если они выполняют работу под присмотром или получили инструкции относительно работы с этим инструментом от лица, отвечающего за их безопасность.
- Не позволяйте детям играть с инструментом.

#### Вибрация

Значения уровня вибрации, указанные в технических характеристиках инструмента и декларации соответствия, были измерены в соответствии со стандартным методом определения вибрационного воздействия согласно EN60745 и могут использоваться при сравнении характеристик различных инструментов. Приведённые значения уровня вибрации могут также использоваться для предварительной оценки величины вибрационного воздействия.



**Внимание!** Значения вибрационного воздействия при работе с электроинструментом зависят от вида работ, выполняемых данным инструментом, и могут отличаться от заявленных значений. Уровень вибрации может превышать заявленное значение.

При оценке степени вибрационного воздействия для определения необходимых защитных мер (2002/44/

ЕС) для людей, использующих в процессе работы электроинструменты, необходимо принимать во внимание действительные условия использования электроинструмента, учитывая все составляющие рабочего цикла, в том числе время, когда инструмент находится в выключенном состоянии, и время, когда он работает без нагрузки, а также время его запуска и отключения.

### Маркировка инструмента



**Внимание!** Полное ознакомление с руководством по эксплуатации снизит риск получения травмы.



При работе с данным инструментом надевайте защитные очки или маску.



При работе с инструментом используйте средства защиты органов слуха.

### Электробезопасность



Данный инструмент защищён двойной изоляцией, что исключает потребность в заземляющем проводе. Следите за напряжением электрической сети, оно должно соответствовать величине, обозначенной на информационной табличке инструмента.

- Во избежание несчастного случая, замена повреждённого кабеля питания должна производиться только на заводе-изготовителе или в авторизованном сервисном центре Black & Decker.

### Описание (Рис. А)

Данный инструмент может содержать все или некоторые из перечисленных ниже составных частей:

1. Клавиша пускового выключателя
2. Боковая рукоятка
3. Кнопка блокировки шпинделя
4. Защитный кожух

### Сборка



**Внимание!** Перед началом сборки убедитесь, что инструмент выключен и отсоединён от электросети.

### Установка и снятие защитного кожуха (Рис. В и С)

Инструмент поставляется в комплекте с защитным кожухом, предназначенным только для работ по шлифованию. Если инструмент предполагается использовать для работ по резке, на него должен быть установлен защитный кожух, специально предназначенный для данного типа операций. Соответствующие защитные кожухи №1004484-01 для работ по резке можно приобрести в сервисных центрах BLACK + DECKER.

### Установка

- Положите инструмент на стол шпинделем (5) вверх.
- Установите пружинную шайбу (6) на шпиндель и поместите её на буртик (7).
- Установите защитный кожух (4) на инструмент, как показано на рисунке.
- Установите на шпиндель фланец (8), выступами в сторону защитного кожуха. Убедитесь, что отверстия на фланце совмещены с отверстиями для винтов.
- Зафиксируйте фланец винтами (9). Убедитесь, что винты полностью затянуты и защитный кожух может вращаться.

### Снятие

- Удалите винты (9), используя отвёртку.
- Снимите фланец (8), защитный кожух (4) и пружинную шайбу (7). Тщательно храните данные детали.



**Внимание!** Никогда не используйте инструмент без установленного на месте защитного щитка.

### Установка боковой рукоятки

- Ввинтите боковую рукоятку (2) в одно из монтажных отверстий на инструменте.



**Внимание!** Всегда используйте боковую рукоятку.

### Установка и снятие шлифовальных или отрезных дисков (Рис. D - F)

Всегда используйте диск правильного типа, в соответствии с выполняемой операцией. Всегда используйте диски правильного диаметра и с посадочными отверстиями правильного размера (см. Технические характеристики).

#### Установка

- Установите защитный кожух, как было описано выше.
- Установите на шпиндель (5) внутренний фланец (10), как показано (Рис. D). Убедитесь, что фланец правильно установлен на плоских гранях шпинделя.
- Установите на шпиндель (5) диск (11), как показано (Рис. D). При установке дисков с выпуклым центром (12) проследите, чтобы выпуклый центр был обращён к внутреннему фланцу.
- Убедитесь, что диск правильно установлен на внутреннем фланце.
- Установите на шпиндель внешний фланец (13). При установке шлифовального диска выпуклый центр внешнего фланца должен быть обращён в сторону диска (А на Рис. E). При установке отрезного диска выпуклый центр внешнего фланца должен быть обращён в противоположную сторону от диска (В на Рис. E).
- Удерживая нажатой кнопку блокировки шпинделя (3), затяните внешний фланец гаечным ключом (14) (Рис. F).

#### Снятие

- Удерживая нажатой кнопку блокировки шпинделя (3), ослабьте внешний фланец (13) гаечным ключом (14) (Рис. F).
- Снимите внешний фланец (13) и диск (11).

### Установка и снятие шлифовальных дисков (Рис. F и G)

Для шлифования необходимо установить диск-подшву. Диск-подшву можно приобрести у вашего дилера BLACK + DECKER как дополнительную принадлежность.

### Установка

- Установите на шпиндель (5) внутренний фланец (10), как показано (Рис. G). Убедитесь, что фланец правильно установлен на плоских гранях шпинделя.
- Установите на шпиндель диск-подшву (15).
- Установите на диск-подшву шлифовальный диск (16).
- Установите внешний фланец (13) на шпиндель, чтобы выпуклая сторона была направлена в сторону от диска.
- Удерживая нажатой кнопку блокировки шпинделя (3), затяните внешний фланец гаечным ключом (14) (Рис. F). Убедитесь, что внешний фланец установлен правильно и диск надёжно зафиксирован.

### Снятие

- Удерживая нажатой кнопку блокировки шпинделя (3), ослабьте внешний фланец (13) гаечным ключом (14) (Рис. F).
- Снимите внешний фланец (13), шлифовальный диск (16) и диск-подшву (15).

### Остаточные риски

При работе данным инструментом возможно возникновение дополнительных остаточных рисков, которые не вошли в описанные здесь правила техники безопасности. Эти риски могут возникнуть при неправильном или продолжительном использовании изделия и т.п.

Несмотря на соблюдение соответствующих инструкций по технике безопасности и использование предохранительных устройств, некоторые остаточные риски невозможно полностью исключить. К ним относятся:

- Травмы в результате касания вращающихся/двигающихся частей инструмента.
- Риск получения травмы во время смены деталей или насадок.
- Риск получения травмы, связанный с продолжительным использованием



инструмента. При использовании инструмента в течение продолжительного периода времени делайте регулярные перерывы в работе.

- Ухудшение слуха.
- Ущерб здоровью в результате вдыхания пыли в процессе работы с инструментом (например, при обработке древесины, в особенности, дуба, бука и ДВП).

### Эксплуатация



**Внимание! Не форсируйте рабочий процесс. Избегайте перегрузки инструмента.**

- Следите за положением кабеля, чтобы случайно его не разрезать.
- Будьте готовы к сильному выбросу искр при соприкосновении диска с материалом во время шлифования или резки.
- Всегда располагайте инструмент таким образом, чтобы защитный кожух наиболее эффективно смог Вас защитить от шлифовального или отрезного диска.

### Включение и выключение

- Чтобы включить инструмент, переведите пусковой выключатель (1) вперёд. Помните, что инструмент продолжит работу после того как Вы отпустите пусковой выключатель.
- Чтобы включить инструмент, снова нажмите на заднюю часть пускового выключателя.



**Внимание!** Не включайте и не выключайте инструмент, находящийся под нагрузкой.

Рекомендации по оптимальному использованию

- Крепко держите инструмент одной рукой за боковую рукоятку, другой рукой за основную рукоятку.
- При шлифовании, старайтесь обеспечивать между шлифовальным диском и поверхностью обрабатываемой заготовки угол приблизительно 15°.

### Техническое обслуживание

Ваш инструмент BLACK + DECKER рассчитан на работу в течение продолжительного времени при минимальном техническом обслуживании. Срок службы и надёжность инструмента увеличивается при правильном уходе и регулярной чистке.



**Внимание!** Перед проведением технического обслуживания электрического/аккумуляторного инструмента:

- Выключите инструмент и отключите его от источника питания.
- Или выключите инструмент и извлеките из него аккумулятор, если инструмент оснащён съёмным аккумулятором.
- В случае наличия встроенного аккумулятора, полностью разгрузите аккумулятор и выключите инструмент.
- Перед чисткой зарядного устройства отключите его от источника питания. Ваше зарядное устройство не требует никакого дополнительного технического обслуживания, кроме регулярной чистки.
- Регулярно очищайте вентиляционные отверстия инструмента/зарядного устройства мягкой щёткой или сухой тканью.
- Регулярно очищайте корпус двигателя влажной тканью. Не используйте абразивные чистящие средства, а также чистящие средства на основе растворителей.
- Регулярно раскрывайте патрон (при наличии) и вытряхивайте из него всю накопившуюся пыль.



**ТЕХНИЧЕСКИЕ ХАРАКТЕРИСТИКИ****G915**

Напряжение	перем. тока	220 - 240
Потребляемая мощность	Вт	900
Число оборотов без нагрузки	об/мин.	11000
Диаметр диска	mm	125
Диаметр посадочного отверстия	mm	22.2
Макс. толщина диска	mm	6
шлифовальный диск	mm	3
Размер	mm	M14
Вес	кг	2.1

**Защита окружающей среды**

Раздельный сбор. Данное изделие нельзя утилизировать вместе с обычными бытовыми отходами. Если однажды вы захотите заменить ваше изделие BLACK+DECKER или вы больше в нём не нуждаетесь, не выбрасывайте его вместе с бытовыми отходами. Отнесите изделие в специальный приёмный пункт.



Раздельный сбор изделий с истекшим сроком службы и их упаковок позволяет пускать их в переработку и повторно использовать. Использование переработанных материалов помогает защищать окружающую среду от загрязнения и снижает расход сырьевых материалов.

Местное законодательство может обеспечить сбор старых электроинструментов отдельно от бытового мусора на муниципальных свалках отходов, или вы можете сдавать их в торговом предприятии при покупке нового изделия.

Фирма BLACK+DECKER обеспечивает приём и переработку отслуживших свой срок изделий BLACK+DECKER. Чтобы воспользоваться этой услугой, вы можете сдать ваше изделие в любой авторизованный сервисный центр, который собирает их по нашему поручению.

Вы можете узнать место нахождения Вашего ближайшего авторизованного сервисного центра, обратившись в Ваш местный офис BLACK+DECKER по адресу, указанному в данном руководстве по эксплуатации. Кроме этого, список авторизованных сервисных центров BLACK+DECKER и полную информацию о нашем послепродажном обслуживании и контактах Вы можете найти в интернете по адресу: [www.2helpU.com](http://www.2helpU.com).

## Гарантийные обязательства

Black + Decker уверена в качестве своих изделий и предоставляет исключительную гарантию. Данное заявление о гарантии дополняет и ни в коей мере не нарушает ваши законные права.

Если продукт производства Black + Decker придет в негодность вследствие некачественных материалов, некачественного изготовления или несоответствия требованиям, BLACK+DECKER гарантирует в пределах 24-х месяцев с даты продажи выполнять замену дефектных деталей, выполнять ремонт изделий, подвергшихся естественному износу, или выполнять замену таких изделий, для сведения к минимуму неудобств для покупателя, за исключением перечисленных ниже случаев:

- Данный продукт был использован для продажи, на промышленных работах или сдавался на прокат.
- Данный продукт использовался неправильно или без надлежащего ухода.
- Данному продукту был нанесен ущерб посторонними предметами, веществами или вследствие чрезвычайного происшествия.
- Была осуществлена попытка ремонта продукта лицами, не являющимися уполномоченными представителями по ремонту или ремонтно-обслуживающим персоналом Black + Decker.

Чтобы заявить претензию по гарантии, необходимо будет предоставить подтверждение покупки продавцу или уполномоченному представителю по ремонту. Вы можете узнать адрес нашего ближайшего уполномоченного представителя по ремонту, позвонив в региональное представительство BLACK+DECKER, указанное в этой инструкции. Кроме того, список уполномоченных представителей по ремонту BLACK+DECKER, подробная информация о послепродажном обслуживании и контактные данные можно найти на сайте [www.2helpU.com](http://www.2helpU.com).



## Гарантийные условия

### Уважаемый покупатель!

1. Поздравляем Вас с покупкой высококачественного изделия Black + Decker и выражаем признательность за Ваш выбор.
2. При покупке изделия требуйте проверки его комплектности и исправности в Вашем присутствии, инструкцию по эксплуатации и заполненный гарантийный талон на русском языке.

В гарантийном талоне должны быть внесены: модель, дата продажи, серийный номер, дата производства инструмента; название, печать и подпись торговой организации. При отсутствии у Вас правильно заполненного гарантийного талона мы будем вынуждены отклонить Ваши претензии по качеству данного изделия.

3. Во избежание недоразумений убедительно просим Вас перед началом работы с изделием внимательно ознакомиться с инструкцией по его эксплуатации.

Правовой основой настоящих гарантийных условий является действующее Законодательство.

Гарантийный срок на данное изделие составляет 24 месяца и исчисляется со дня продажи. В случае устранения недостатков изделия, гарантийный срок продлевается на период его нахождения в ремонте.

Срок службы изделия - 5 лет со дня продажи.

4. В случае возникновения каких-либо проблем в процессе эксплуатации изделия рекомендуем Вам обращаться только в уполномоченные сервисные центры Black + Decker, адреса и телефоны которых Вы сможете найти в гарантийном талоне, на сайте [www.2helpU.com](http://www.2helpU.com) или узнать в магазине. Наши сервисные станции - это не только квалифицированный ремонт, но и широкий ассортимент запчастей и принадлежностей.
5. Производитель рекомендует проводить периодическую проверку и техническое обслуживание изделия в уполномоченных сервисных центрах.

6. Наши гарантийные обязательства распространяются только на неисправности, выявленные в течение гарантийного срока и вызванные дефектами производства и \ или материалов.
7. Гарантийные обязательства не распространяются на неисправности изделия, возникшие в результате:
  - 7.1. Несоблюдения пользователем предписаний инструкции по эксплуатации изделия, применения изделия не по назначению, неправильном хранении, использования принадлежностей, расходных материалов и запчастей, не предусмотренных производителем.
  - 7.2. Механического повреждения (сколы, трещины и разрушения) внутренних и внешних деталей изделия, основных и вспомогательных рукояток, сетевого электрического кабеля, вызванного внешним ударным или любым иным воздействием.
  - 7.3. Попадания в вентиляционные отверстия и проникновение внутрь изделия посторонних предметов, материалов или веществ, не являющихся отходами, сопровождающими применение изделия по назначению, такими как: стружка, опилки, песок, и пр.
  - 7.4. Воздействие на изделие неблагоприятных атмосферных и иных внешних факторов, таких как дождь, снег, повышенная влажность, нагрев, агрессивные среды, несоответствие параметров питающей электросети, указанным на инструменте.
  - 7.5. Стихийного бедствия. Повреждение или утрата изделия, связанное с непредвиденными бедствиями, стихийными явлениями, в том числе вследствие действия непреодолимой силы (пожар, молния, потоп и другие природные явления), а так же вследствие перепадов напряжения в электросети и другими причинами, которые находятся вне контроля производителя.
8. Гарантийные условия не распространяются:
  - 8.1. На инструменты, подвергавшиеся вскрытию, ремонту или модификации вне уполномоченной сервисного центра.
  - 8.2. На детали и узлы, имеющие следы естественного износа, такие как: приводные ремни и колеса, угольные щетки, смазка, подшипники, зубчатое зацепление редукторов, резиновые уплотнения, сальники, направляющие ролики, муфты, выключатели, бойки, толкатели, стволы и т.п.
  - 8.3. на сменные части: патроны, цанги, зажимные гайки и фланцы, фильтры, аккумуляторные батареи, ножи, шлифовальные подошвы, цепи, звездочки, пильные шины, защитные кожуhi, пилки, абразивы, пильные и абразивные диски, фрезы, сверла, буры и т.п.
  - 8.4. На неисправности, возникшие в результате перегрузки инструмента (как механической, так и электрической), повлекшей выход из строя одновременно двух и более деталей и узлов, таких как: ротора и статора, обеих обмоток статора, ведомой и ведущей шестерни редуктора и других узлов и деталей. К безусловным признакам перегрузки изделия относятся, помимо прочего: появление цветов побежалости, деформация или оплавление деталей и узлов изделия, потемнение или обугливание изоляции проводов электродвигателя под воздействием высокой температуры.

Изготовитель

Блэк энд Деккер Холдингс ГмбХ  
Германия, 65510, Идштайн,  
ул. Блэк энд Деккер, 40



**Приложение к руководству по эксплуатации электрооборудования для определения месяца производства по номеру текущей календарной недели года**

Электрооборудование торговых марок "Dewalt", "Stanley", "Stanley FatMAX", "BLACK+DECKER".

Директивы 2014/30/EU ЕВРОПЕЙСКОГО ПАРЛАМЕНТА И СОВЕТА от 26 февраля 2014 г. "О гармонизации законодательства Государств-членов ЕС в области электромагнитной совместимости", 2006/42/ЕС ЕВРОПЕЙСКОГО ПАРЛАМЕНТА И СОВЕТА от 17 мая 2006 г. "О машинах и оборудовании"; 2014/35/EU ЕВРОПЕЙСКОГО ПАРЛАМЕНТА И СОВЕТА от 26 февраля 2014 г. "О гармонизации законодательства государств-членов в области размещения на рынке электрооборудования, предназначенного для использования в определенных пределах напряжения". Серийный выпуск.

**ТОВАР СЕРТИФИЦИРОВАН**

Орган по сертификации "РОСТЕСТ - Москва", Адрес: 119049, г. Москва, улица Житная, д. 14, стр. 1; 117418, Москва, Нахимовский просп., 31 (фактический), Телефон: (499) 1292311, (495) 6682893, Факс: (495) 6682893, E-mail: [office@rostest.ru](mailto:office@rostest.ru)

Изготовитель: Изготовитель: Блэк энд Деккер Холдингс ГмбХ, Германия, 65510, Идштайн, ул. Блэк энд Деккер, 40, тел. +496126212790.

Уполномоченное изготовителем юр.лицо:

ООО "Стэнли Блэк энд Деккер", 117485, город Москва, улица Обручева, дом 30/1, строение 2

Телефон: + 7 (495) 258-3981, факс: + 7 (495) 258-3984, E-mail: [inbox@dewalt.com](mailto:inbox@dewalt.com)

Сведения и импортеры указаны в сопроводительной документации и/или на упаковке

**Хранение.**

Необходимо хранить в сухом месте, вдали от источников повышенных температур и воздействия солнечных лучей. При хранении необходимо избегать резкого перепада температур. Хранение без упаковки не допускается

**Срок службы.**

Срок службы изделия составляет 5 лет. Не рекомендуется к эксплуатации по истечении 5 лет хранения с даты изготовления без предварительной проверки.

Дата изготовления (код даты) указана на корпусе инструмента.

Код даты, который также включает год изготовления, отштампован на поверхности корпуса изделия.

Пример:

2014 46 XX, где 2014 –год изготовления, 46-неделя изготовления.

Определить месяц изготовления по указанной неделе изготовления можно согласно приведенной ниже таблице.

**Транспортировка.**

Категорически не допускается падение и любые механические воздействия на упаковку при транспортировке.

При разгрузке/погрузке не допускается использование любого вида техники, работающей по принципу зажима упаковки.

**Перечень критических отказов, возможные ошибочные действия персонала.**

Не допускается эксплуатация изделия:

-При появлении дыма из корпуса изделия

-При поврежденном и/или оголенном сетевом кабеле

-при повреждении корпуса изделия, защитной кожуха, рукоятки

-при попадании жидкости в корпус

-при возникновении сильной вибрации

-при возникновении сильного искрения внутри корпуса

**Критерии предельных состояний.**

-При поврежденном и/или оголенном сетевом кабеле

-при повреждении корпуса изделия

Месяц	Январь	Февраль	Март	Апрель	Май	Июнь	Июль	Август	Сентябрь	Октябрь	Ноябрь	Декабрь	Год производства
Неделя	1	5	9	14	18	23	27	31	36	40	44	49	2018
	2	6	10	15	19	24	28	32	37	41	45	50	
	3	7	11	16	20	25	29	33	38	42	46	51	
	4	8	12	17	21	26	30	34	39	43	47	52	
			13		22			35			48		
Неделя	1	6	10	14	18	23	27	31	36	40	45	49	2019
	2	7	11	15	19	24	28	32	37	41	46	50	
	3	8	12	16	20	25	29	33	38	42	47	51	
	4	9	13	17	21	26	30	34	39	43	48	52	
					22			35		44			
Неделя	1	6	10	14	19	23	27	32	36	40	45	49	2020
	2	7	11	15	20	24	28	33	37	41	46	50	
	3	8	12	16	21	25	29	34	38	42	47	51	
	4	9	13	17	22	26	30	35	39	43	48	52	
				18			31			44			
Неделя	2	6	10	14	19	23	27	32	36	41	45	49	2021
	3	7	11	15	20	24	28	33	37	42	46	50	
	4	8	12	16	21	25	29	34	38	43	47	51	
	5	9	13	17	22	26	30	35	39	44	48	52	
				18			31		40			1	
Неделя	2	6	10	15	19	23	28	32	36	41	45	49	2022
	3	7	11	16	20	24	29	33	37	42	46	50	
	4	8	12	17	21	25	30	34	38	43	47	51	
	5	9	13	18	22	26	31	35	39	44	48	52	
			14			27		40				1	

## Призначення

Кутову шліфувальну машину BLACK + DECKER розроблено для шліфування та різання металу, а також застосування під час цегляного мурування з використанням відрізного та шліфувального кола належного типу. Оснащений відповідним запобіжним щитком, цей інструмент призначений тільки для використання споживачем.

## Вказівки з техніки безпеки

### Загальні вказівки щодо безпечної роботи з електричним інструментом



**Увага! Уважно прочитайте всі попереджувальні написи та вказівки з техніки безпеки.**

Порушення наведених нижче попереджувальних написів і вказівок може призвести до ураження електричним струмом, пожежі та/або серйозних травм.

### Зберігайте усі застереження та вказівки з техніки безпеки для подальшого використання.

Термін «електричний інструмент», що використовується у всіх застереженнях з техніки безпеки, наведених нижче, стосується електричного інструменту, що працює від мережі (зі шнуром живлення) або від акумуляторної батареї (без шнура живлення).

#### 1. Вказівки з техніки безпеки на робочому місці

- a. **Робоче місце має бути прибране та добре освітлене.** Безлад або погане освітлення на робочому місці можуть призвести до нещасного випадку.
- b. **Не працюйте з електроінструментом в місці зберігання вибухонебезпечних матеріалів, наприклад, у присутності легкозаймистих рідин, газів або пилу.** Іскри, що виникають під час роботи електричного інструмента, можуть призвести до займання пилу чи випарів.
- c. **Забороняється перебування дітей та сторонніх осіб поблизу електричного інструменту під час роботи.** Відволікання може призвести до втрати контролю за роботою інструмента.

#### 2. Електрична безпека

- a. **Вилка шнура живлення інструмента має відповідати мережевій розетці. Забороняється будь-яким чином змінювати конструкцію вилки шнура живлення. Забороняється використання будь-яких вилок-перехідників із заземлюваними (занулюваними) електричними інструментами.** Зміна конструкції вилок шнурів живлення та невідповідність електричних вилок і розеток збільшує ризик ураження електричним струмом.
- b. **Не торкайтеся поверхонь заземлених чи занулених предметів, наприклад, труб, радіаторів, електроплит або холодильників.** Заземлення чи занулення тіла підвищує ризик ураження електричним струмом.
- c. **Забороняється наражати електричні інструменти на вплив дощу чи підвищеної вологості.** Попадання вологи всередину електричного інструмента підвищує ризик ураження електричним струмом.
- d. **Поводитися зі шнуром живлення необхідно уважно і обережно. Забороняється підіймати, тягнути електричний інструмент та виймати його вилку з розетки за шнур. Слід берегти електричний шнур від впливу джерел тепла, оливи, гострих країв та рухомих деталей.** Пошкодження і заплутування шнурів живлення підвищує ризик ураження електричним струмом.
- e. **Під час роботи з електричним інструментом за межами приміщень необхідно використовувати відповідний подовжувач.** Використання подовжувача, призначеного для роботи поза приміщеннями, знижує ризик ураження електричним струмом.
- f. **Якщо електричним інструментом необхідно користуватись у вологому місці, слід використовувати пристрій захисного вимкнення (ПЗВ) електричної мережі.** Використання ПЗВ знижує ризик ураження електричним

струмом.

### 3. Індивідуальна техніка безпеки

- a.** Під час роботи з електричним інструментом необхідно бути обачним, слідкувати за роботою, що виконується, та керуватися здоровим глуздом. Забороняється працювати з електричним інструментом у стані втоми чи під впливом наркотиків, алкоголю і лікарських препаратів. Миттєве ослаблення уваги може призвести до серйозної травми.
- b.** Необхідно використовувати засоби індивідуального захисту. Необхідно завжди використовувати засоби захисту очей. Використання у відповідних умовах засобів індивідуального захисту, наприклад пилозахисної маски, протиковзного захисного взуття, захисної каски або засобів захисту органів слуху, зменшує ризик отримання травми.
- c.** Потрібно уникати ненавмисного вмикання інструмента. Перш ніж під'єднати джерело живлення та/або акумулятор, або в разі, якщо необхідно підняти або перенести інструмент, переконайтесь, що його вимикач знаходиться у вимкненому положенні. Якщо тримати палець на вимикачі під час перенесення інструмента чи під'єднання увімкненого інструмента до мережі, це підвищує ризик нещасного випадку.
- d.** Перш ніж увімкнути електричний інструмент, необхідно обов'язково виняти з нього регулювальний чи гайковий ключ. Якщо на рухомій деталі інструмента був залишений ключ, це може призвести до травми.
- e.** Забороняється намагатися дотягнутися до важкодоступних місць. Під час роботи необхідно міцно триматися на ногах і зберігати рівновагу. Це дозволяє краще контролювати електричний інструмент у непередбачуваних ситуаціях.
- f.** Необхідно використовувати захисний одяг. Забороняється одягати вільний одяг та прикраси. Волосся, одяг та рукавички мають знаходитися на безпечній відстані від рухомих деталей інструменту. Вільний одяг, прикраси чи довге волосся можуть бути захоплені рухомими елементами.
- g.** Якщо встановлені пристрої під'єднання засобів пиловловлювання та пилозбірників, необхідно перевіряти, щоб вони були під'єднані та використовувалися належним чином. Використання цих пристроїв знижує рівень ризику, пов'язаного з наявністю пилу в повітрі.
- h.** Досвід роботи з електричним інструментом та часте його використання не повинні ставати причиною легковажного ставлення до правил безпечної експлуатації чи їх ігнорування. Легковажне ставлення навіть на частку секунди може призвести до серйозної травми.
- 4.** Використання електричного інструменту та догляд за ним
- a.** Під час роботи з електричним інструментом забороняється прикладати надмірні зусилля. Дозволяється використовувати електричний інструмент тільки за призначенням. Правильно підібраний електричний інструмент дозволить виконати роботу краще і безпечніше на швидкості, на яку він розрахований.
- b.** Експлуатацію інструменту із несправним вимикачем заборонено. Електричний інструмент, роботою якого не можна керувати за допомогою вимикача, є небезпечним та підлягає обов'язковому ремонту.
- c.** Перш ніж виконувати регулювання електричного інструменту, замінювати на ньому приладдя чи класти його на зберігання, необхідно витягти вилку живлення з розетки та/або зняти з нього акумулятор. Такий запобіжний захід безпеки знижує ризик ненавмисного увімкнення інструменту.

d. Зберігати електричний інструмент, що на разі не використовується, необхідно в недоступному для дітей місці, а його використання особами, які не знайомі з ним або з цією інструкцією, заборонено. Електричний інструмент є небезпечним в руках ненавченої людини.

e. Необхідно проводити технічне обслуговування електричного інструменту. Перевіряйте центрування та з'єднання рухомих деталей, наявність пошкоджених деталей і будь-які фактори, які можуть негативно позначитися на роботі електричного інструмента. У разі виявлення пошкодження електричний інструмент необхідно відремонтувати, перш ніж його використовувати. Багато нещасних випадків трапляється через неналежне технічне обслуговування електричних інструментів.

f. Різальні інструменти мають бути загостреними і чистими. Різальний інструмент з гострими ріжучими кромками, який підтримується у належному робочому стані, менше застрягає, а керувати ним легше.

g. Використовуйте електричний інструмент, приладдя, вставні різці і т. п. згідно даним вказівкам і з урахуванням умов експлуатації і роботи, яка повинна бути виконана. Використання електричного інструмента не за призначенням може призвести до виникнення небезпечної ситуації.

h. Необхідно забезпечувати відсутність бруду, вологі та залишків оливи та мастила на рукоятках та поверхнях утримання інструменту. Слизькі рукоятки та поверхні утримання є джерелами небезпеки під час роботи з електричним інструментом та не дозволяють надійно керувати інструментом в нештатних ситуаціях.

## 5. Обслуговування

a. Обслуговувати електричний інструмент має тільки кваліфікований персонал із використанням виключно оригінальних запасних частин. Це

дозволить підтримувати безпечний стан електричного інструмента.

### Додаткові інструкції з безпечної експлуатації електричного інструмента



**Увага!** Додаткові інструкції з безпечної шліфування, зокрема наждаковим папером, чищення дротяною щіткою, полірування й абразивного різання.

- Цей електричний інструмент призначений для використання в якості шліфувальної машини. Необхідно ретельно ознайомитись із усіма попереджувальними знаками, вказівками щодо безпечної роботи, графічними матеріалами та технічними описами, що додаються до цього електричного інструмента. Недотримання вказівок щодо безпечної роботи може призвести до ураження електричним струмом, пожежі та/або серйозних травм персоналу.
- Операції, на які не розрахована конструкція цього електричного інструмента, можуть призвести до виникнення аварійної ситуації та травм.
- Не використовуйте приладдя, що не були розроблені та не рекомендовані виробником інструменту. Якщо приладдя можна встановити на ваш інструмент, це ще не є гарантією безпечної роботи.
- Номінальна швидкість приладдя повинна щонайменше дорівнювати максимальній швидкості, зазначеній на електричному інструменті. Приладдя, що працює з швидкістю, яка перевищує свою номінальну швидкість, може зруйнуватися та розлетітися в сторони.
- Зовнішній діаметр і товщина приладдя повинні лежати в межах характеристик вашого електричного інструмента. Приладдя неправильного розміру не можуть бути належним чином захищені запобіжним щитком, і їх роботу неможливо нормально контролювати.

- **Осьовий розмір коліс, фланців, підшов дисків та іншого приладдя повинен точно збігатися з розміром шпинделя електричного інструменту.** Приладдя з осьовими отворами, що не збігаються з елементами кріплення електричного інструменту, будуть розбалансованими, будуть викликати надмірні вібрації та можуть стати причиною втрати контролю над інструментом.
- **Забороняється використовувати пошкоджене приладдя. Перед початком роботи завжди перевіряйте приладдя: шліфувальні диски — на наявність сколів і тріщин, підшову — на наявність тріщин, розривів і надмірного зносу, а дротяну щітку — на наявність ослабленого або обламаного дроту. У випадку падіння електричного інструмента та приладдя перевірте їх на наявність пошкоджень або замініть пошкоджене приладдя. Після перевірки та встановлення приладдя ввімкніть електроінструмент на максимальній швидкості холостого ходу на одну хвилину. Пошкоджене приладдя за цей час зазвичай розлітається.**
- **Використовуйте засоби індивідуального захисту. Залежно від способу використання, використовуйте захисну прозору маску, відкриті або закриті захисні окуляри. У разі необхідності одягайте пілозахисну маску, засоби захисту органів слуху, захисні рукавички та робочий фартух, що здатні зупинити дрібні абразивні частки або осколки робочої деталі. Засіб захисту очей повинен зупиняти частинки, які розлітаються під час роботи. Пілозахисна маска або респіратор повинні відфільтровувати частинки, які з'являються під час роботи. Тривалий вплив сильного шуму може призвести до погіршення слуху.**
- **Сторонні особи повинні перебувати на безпечній відстані від робочої зони. Будь-які особи, які входять до робочої зони, повинні використовувати засоби індивідуального захисту.** Уламки робочої деталі або зруйнованого приладдя можуть розлітатися і стати причиною травмування персоналу за межами безпосередньої зони роботи.
- **Оскільки шнур живлення може торкнутися шліфувальної стрічки або основи, тримати інструмент необхідно за ізольовані поверхні.** У разі контакту з кабелем під напругою під напругу можуть потрапити металеві деталі електричного інструмента, унаслідок чого виникає небезпека ураження оператора електричним струмом.
- **Розташуйте шнур на безпечній відстані від рухомих деталей.** У разі втрати контролю можливе обрізання шнура або оголення проводів, а ваша рука може постраждати від контакту з рухомими деталями.
- **Забороняється класти інструмент до повної зупинки рухомих деталей.** Обертове приладдя може захопити частину поверхні, в результаті чого інструмент вийде з-під вашого контролю.
- **Не вмикайте електричний інструмент, який знаходиться збоку від вас.** В разі випадкового контакту обертowego приладдя може порватися ваш одяг, а приладдя може увійти в тіло.
- **Виконуйте регулярне очищення вентиляційних отворів електричного інструменту.** Вентилятор двигуна може втягувати пил всередину його корпусу, і через надмірне скупчення металевого пилу може виникнути небезпека ураження електричним струмом.
- **Не використовуйте електроінструмент поблизу легкозаймистих матеріалів.** Такі матеріали можуть займатися від іскор.
- **Не використовуйте приладдя, що потребує рідких охолоджувачів.** Використання води та інших рідких охолоджувачів може призвести до ураження електричним струмом або навіть до летального наслідку.



**Примітка:** Наведена вище інформація не відноситься до електричних інструментів, спеціально сконструйованих для роботи в рідинній системі.

### **Віддача та пов'язані з нею вказівки щодо безпечної роботи**

Віддача — це миттєва реакція на затиснуте або застопорене приладдя, яке обертається: підшошу, щітку тощо. Затискання або стопоріння призводить до швидкої зупинки обертового приладдя, що, у свою чергу, призводить до того, що некерований електричний інструмент починає обертатися в напрямку, протилежному напрямку обертання приладдя, в точці зчеплення. Наприклад, якщо шліфувальний диск застопорився або був затиснутий деталлю, що оброблюється, то край диска, який заходить в місце затиснення, може заглибитися в поверхню матеріалу, що призведе до виштовхування або віддачі з боку диска. Залежно від напрямку обертання диска в точці затиснення, диск може відскочити в напрямку оператора або від нього. Крім того, у таких умовах шліфувальний диск може розламатися. Віддача є результатом неправильного використання робочого інструменту та/або неправильної послідовності виконання дій та неправильних умов роботи, і може бути усунена при дотриманні заходів безпеки, зазначених нижче:

- **Необхідно міцно тримати інструмент і зайняти таке положення тіла та рук, що дозволяє чинити опір силам віддачі. Щоб максимально контролювати віддачу і реакцію від крутильного моменту під час пуску, необхідно використовувати додаткову рукоятку, якщо вона входить в комплект.** Оператор може контролювати реакцію від крутильного моменту або віддачу, якщо були забезпечено виконання належних запобіжних заходів.
- **Забороняється тримати руки поблизу приладдя, що обертається.** Приладдя може відскочити назад через руку.
- **Забороняється ставати в напрямку руху інструменту в разі віддачі.** Віддача буде штовхати інструмент в напрямку, протилежному напрямку руху

дису в місці затискання.

- **Під час роботи з кутами, гострими краями тощо необхідно зберігати особливу пильність. Необхідно уникати стрибків та затискання приладдя.** Кути, гострі краї та підстрибування призводять до затискання обертового приладдя і втрати контролю або віддачі.
- **Забороняється прикріплювати до інструмента ніж ланцюгової пилки для дерева або зубчастий різальний диск.** Таке різальне приладдя часто спричиняє віддачу та втрату керованості.

### **Додаткові інструкції з безпечного шліфування та різання**

#### **Спеціальні вказівки з безпечного виконання шліфування і абразивного різання**

- **Використовуйте тільки ті типи дисків, які рекомендовані для вашого електричного інструменту, та запобіжні щитки, розроблені для відповідного типу дисків.** Для дисків, які не відповідають конструкції вашого інструмента, не може бути встановлений належний запобіжний щиток, і тому використання таких дисків є небезпечним.
- **Запобіжний щиток має бути надійно прикріплений до електричного інструменту та встановлений в максимально безпечне положення, в якому до оператора буде звернена найменша відкрита частина диску.** Запобіжний щиток допомагає захищати оператора від часток кола, які розлітаються, і від випадкового контакту з колом.
- **Використання дисків дозволене тільки в тих випадках, коли вони рекомендовані до застосування.** Наприклад: не можна виконувати шліфування бічною поверхнею відрізного диску. Абразивні відрізни диски призначені для шліфування кромкою, тому поперечні сили, прикладені до такого диску, можуть призвести до його руйнування.
- **Завжди використовуйте тільки**

справні фланці для дисків, розмір та форма яких відповідають обраному диску. Правильно обраний фланець є опорою для диска, завдяки чому зменшується ймовірність руйнування диску. Фланці для відрізних дисків можуть відрізнятися від фланців для шліфувальних дисків.

- **Забороняється використовувати зношені диски від електричних інструментів більшого розміру.** Диск, призначений для інструменту більшого розміру, не підходить для більшої швидкості інструменту меншого розміру та може зруйнуватися.

#### Додаткові інструкції з безпечного абразивного різання

- **Не допускайте заклинювання відрізного кола та не прикладайте до нього надмірних зусиль. Не намагайтесь зробити проріз надлишкової глибини.** При перевантаженні кола підвищується його сприйнятність скручування і заклинювання під час різання і, як наслідок, збільшується ризик віддачі та руйнування кола.
- **Тіло шліфувальника не повинне знаходитись на одній лінії з колом, яке обертається, і за ним.** Якщо коло в точці контакту з оброблюваною ділянкою рухається від тіла шліфувальника, імовірна віддача може штовхнути коло, що обертається, і електроінструмент прямо на шліфувальника.
- **Якщо коло заклинило, або з якоїсь причини припинилось різання, вимкніть живлення електричного інструмента і тримайте його нерухомо доти, поки коло не зупиниться повністю. Ніколи не намагайтесь вийняти відрізне коло, що бertaється, з розрізаного заглиблення, оскільки може статись віддача.** Вивчіть ситуацію і відповідно скоригуйте свою роботу, щоб усунути причини заклинювання кола.
- **Забороняється повторно починати операцію різання, якщо коло знаходиться в оброблюваній деталі. Дозвольте колу набрати повну**

швидкість обертання і потім обережно введіть його в розрізане заглиблення. Якщо увімкнути інструмент, коли диск знаходиться всередині оброблюваної деталі, диск може заклинути, він може піти догори або дати віддачу.

- **Установіть панелі та великогабаритні робочі деталі на основу, щоб звести до мінімуму ризик стопоріння і віддачі.** Великі робочі деталі мають властивість прогинатися під дією власної ваги. Основа повинна підкладатись під деталь поблизу лінії зрізу і поблизу краю робочої деталі з обох сторін диска.
- **Будьте дуже уважні під час різання в «кишенях» стін і на інших ділянках, які недосяжні для огляду.** Коло, що виступає, може перерізати труби газопроводу і водогону, електричну проводку або може наштовхнутись на об'єкт, який відповість віддачею.

#### Інструкції з безпечного шліфування наждаковим папером

- **Забороняється використовувати наждаковий диск занадто великого розміру.** При виборі наждакового паперу дотримуйтесь рекомендацій виробника. Якщо наждаковий папір задалеко виступає за межі шліфувальної подушки, існує ризик його розриву, обдирання та стирання кола, а також віддачі.

#### Спеціальні вказівки щодо безпечного виконання полірування

- **Не дозволяйте відокремленим ділянкам полірувальної насадки або шнура для кріплення вільно обертатися. Сховайте або відріжте вільний край шнура для кріплення.** Вільно звисаючий шнурок для кріплення може чіплятися за пальці чи оброблювану деталь.

#### Інструкції з безпечного чищення дротяною щіткою

- **Пам'ятайте про те, що дротяні щітинки викидаються з щітки навіть під час виконання звичайної операції. Не перевантажуйте дротяні щітинки, прикладаючи надмірне навантаження до щітки.** Дротяні щітинки можуть легко проходити крізь легкий одяг і шкіру.

- **Якщо для очищення дротяною щіткою рекомендовано використовувати запобіжний щиток, він не має заважати дротяному колу або щітці.** Діаметр дротяного кола чи щітки може збільшуватись внаслідок дії робочого навантаження чи відцентрових сил.

### Безпека інших осіб

- Цей інструмент не призначений для використання особами (включаючи дітей) з обмеженими фізичними, сенсорними або розумовими здібностями або особами, у яких відсутній необхідний досвід і знання, крім випадків, коли вони знаходяться під наглядом і отримали належні вказівки по роботі з інструментом від особи, відповідальної за їхню безпеку.
- Щоб діти не гралися з інструментом, вони повинні знаходитися під наглядом.

### Наклейки на інструменті

Наклейка на вашому інструменті разом з кодом дати може містити наступні символи:



**Увага!** Для зниження ризику травмування оператор повинен прочитати цю інструкцію з експлуатації.



Для роботи з цим інструментом необхідно надягати захисні окуляри або окуляри-маску.



Для роботи з цим інструментом необхідно надягати засоби захисту органів слуху.

### Електрична безпека



Цей інструмент має подвійну ізоляцію, тому дріт заземлення йому не потрібен. Завжди перевіряйте, щоб мережева напруга відповідала значенню, зазначеному в таблиці з паспортними даними.

- У разі пошкодження шнура живлення, щоб уникнути виникнення небезпечних ситуацій, його заміну повинен виконати виробник обладнання або уповноважений сервісний центр BLACK+DECKER.

### Функції

Цей інструмент може бути оснащений усіма або деякими з перерахованих нижче функцій.

1. Вимикач
2. Бічна рукоятка
3. Кнопка фіксації шпинделя
4. Запобіжний кожух

### Монтаж



**Увага!** Перед монтажем перевірте, щоб інструмент був вимкнений, а вилка шнура була виїнята з розетки.

### Установлення та вилучення запобіжного щитка (рис. В та С)

Цей інструмент постачається з запобіжним щитком, який встановлюється тільки для виконання шліфування. Якщо інструмент буде виконувати різання, необхідно установити запобіжний щиток, спеціально призначений для цієї операції. Запобіжний щиток для різання має номер у каталозі 1004484-01, і його можна придбати в сервісних центрах BLACK + DECKER.

### Установлення

- Розмістіть інструмент на столі шпинделем (5) догори.
- Розмістіть пружинну шайбу (6) на шпинделі та встановіть шпindel на плече (7).
- Установіть запобіжний щиток (4) на інструменті, як показано.
- Установіть фланець (8) на шпинделі таким чином, щоб відмітки, що виступають, були направлені до щитка. Переконайтесь, що отвори у фланці розташовані навпроти отворів для гвинтів.
- Закріпіть фланець з допомогою гвинтів (9). Перевірте, щоб гвинти були закручені до кінця і щоб запобіжний щиток можна було повертати.

### Зняття

- Викрутіть з допомогою викрутки гвинти (9).
- Зніміть фланець (8), запобіжний щиток

(4) і пружинну шайбу (7). Зберігайте ці деталі окремо.



**Увага!** Забороняється використовувати цей інструмент без запобіжного щитка.

### Установлення бічного рук'я

- Закрутіть бічне рук'я (2) в один з монтажних отворів в інструменті.



**Увага!** Завжди використовуйте тільки бічне рук'я.

### Установлення та зняття шліфувальних і відрізних кіл (рис. D–F)

Тип кола завжди повинен відповідати виду виконуваної роботи. Завжди використовуйте кола належного зовнішнього діаметру і діаметру отвору (дивіться технічні дані).

#### Установлення

- Установіть запобіжний щиток, як було описано вище.
- Установіть внутрішній фланець (10) на шпинделі (5), як показано (рис. D). Переконайтесь, що фланець точно встановлений на плоских бічних поверхнях шпинделя.
- Установіть диск (11) на шпинделі (5), як показано (рис. D). Якщо коло має піднятий центр (12), перевірте, щоб він був спрямований до внутрішнього фланця.
- Переконайтесь, що коло правильно встановлено на зовнішньому фланці.
- Встановіть зовнішній фланець (13) на шпиндель. Під час установлення шліфувального кола піднятий центр зовнішнього фланця має бути спрямований до кола (А на рис. E). Під час установлення відрізного кола піднятий центр зовнішнього фланця має бути спрямований від кола (В на рис. E).
- Тримайте натиснутою кнопку фіксації шпинделя (3) і затягніть до кінця зовнішній фланець за допомогою двохштифтового гайкового ключа (14) (рис. F).

#### Зняття

- Тримайте натиснутою кнопку фіксації

шпинделя (3) і послабте зовнішній фланець (13) за допомогою двохштифтового гайкового ключа (14) (рис. F).

- Зніміть зовнішній фланець (13) і диск (11).

### Установлення та зняття наждакових кіл (рис. F та G)

З наждаковими колами слід використовувати спеціальний диск-підшову. Диск-підшову можна придбати в дилера BLACK + DECKER як приладдя.

#### Установлення

- Установіть внутрішній фланець (10) на шпинделі (5), як показано (рис. G). Переконайтесь, що фланець точно встановлений на плоских бічних поверхнях шпинделя.
- Установіть диск-підшову (15) на шпиндель.
- Установіть наждакове коло (16) на диск-підшову.
- Установіть зовнішній фланець (13) на шпинделі таким чином, щоб його піднята частина була спрямована від кола.
- Тримайте натиснутою кнопку фіксації шпинделя (3) і затягніть до кінця зовнішній фланець за допомогою двохштифтового гайкового ключа (14) (рис. F). Переконайтесь, що зовнішній фланець точно став на місце і що коло міцно закріплено.

#### Зняття

- Тримайте натиснутою кнопку фіксації шпинделя (3) і послабте зовнішній фланець (13) за допомогою двохштифтового гайкового ключа (14) (рис. F).
- Зніміть зовнішній фланець (13), наждакове коло (16) і диск-підшову (15).

#### Залишковий ризик

Додатковий залишковий ризик може виникнути у випадках використання інструменту, які можуть бути не враховані в перерахованих вказівках щодо безпечної роботи. Така небезпека може виникати в разі неправильного або тривалого використання тощо.

Навіть за умови дотримання всіх відповідних правил техніки безпеки та використанні захисних пристроїв, неможливо повністю усунути залишковий ризик. Серед них:

- травми, отримані внаслідок торкання обертових і рухомих деталей;
- травми, отримані під час заміни деталей, ножів та приладдя;
- травми, отримані внаслідок тривалого використання інструменту. При тривалому використанні інструмента необхідно робити регулярні перерви в роботі.
- погіршення слуху;
- Шкода для здоров'я, викликана вдиханням пилу, що з'являється під час роботи інструмента (наприклад, при роботі з деревом, особливо з дубом, буком або ДВП).

### Використання



**Увага!** Інструмент має працювати зі швидкістю, яка відповідає його технічним характеристикам. Не перевантажуйте його.

- Обережно прокладіть шнур живлення, щоб випадково його не перерізати.
- Будьте готові до зливи іскор під час контакту шліфувального чи відрізного кола з оброблюваною деталлю.
- Завжди вибирайте таке положення інструмента, щоб запобіжний щиток забезпечував максимальний захист від шліфувального чи відрізного кола.

### Вмикання та вимикання

- Щоб увімкнути інструмент, перемістіть вимикач (1) в переднє положення. Пам'ятайте, коли ви відпустите вимикач, інструмент буде продовжувати працювати.
- Щоб вимкнути інструмент, натисніть на задню частину рухомого вимикача.



**Увага!** Не вимикайте інструмент з прикладеним навантаженням. Поради щодо ефективного використання інструмента

- Міцно тримайте інструмент однією рукою

за бічне руків'я, іншою рукою — за головне руків'я.

- Під час шліфування завжди зберігайте кут приблизно 15° між площиною кола та поверхнею оброблюваної деталі.

### Технічне обслуговування

Конструкція вашого інструмента BLACK + DECKER розрахована на роботу протягом тривалого періоду часу за мінімального технічного обслуговування. Тривала задовільна робота інструмента залежить від належного догляду та регулярного чищення.



**Увага!** Перед виконанням будь-яких робіт з обслуговування інструмента з дротовим/бездротовим живленням:

- Вимкніть пристрій/інструмент і відключіть від розетки шнур його живлення.
- Або вимкніть побутовий прилад/інструмент і дістаньте з нього акумуляторну батарею, якщо побутовий прилад/інструмент обладнаний окремим батарейним відсіком.
- Або дайте акумуляторній батареї розрядитися до кінця, якщо вона є вбудованою, потім вимкніть побутовий прилад.
- Перед проведенням чищення зарядного пристрою вийміть його штепсельну вилку з розетки. Крім періодичного чищення, ваш зарядний пристрій не потребує технічного обслуговування.
- Регулярно очищуйте вентиляційні прорізи в інструменті, приладді та зарядному пристрої за допомогою м'якої щіточки або сухої тканини.
- Необхідно регулярно очищувати корпус двигуна за допомогою вологої тканини. Забороняється використовувати для очищення абразивні матеріали та засоби очищення на основі розчинників.
- Регулярно розкривайте й вибивайте затискний патрон (якщо його встановлено) для видалення пилу з його внутрішньої частини.

**ТЕХНИЧЕСКИЕ ХАРАКТЕРИСТИКИ****G915**

Напруга	В (змін. струм)	220 - 240
Споживана потужність	Вт (вхідн.)	900
Швидкість холостого ходу	хв-1	11000
Діаметр диска	mm	125
Діаметр отвору кола	mm	22.2
Макс. товщина шліф. кола	mm	6
відрізні кола	mm	3
Розмір шпінделя	mm	M14
Вага	кг	2.1

**Захист навколишнього середовища**

Під час утилізації необхідно сортувати компоненти. Забороняється утилізувати цей виріб разом зі звичайними побутовими відходами. Якщо ви вирішите, що ваш виріб BLACK+DECKER необхідно замінити, або якщо ви не будете його більше використовувати, не утилізуйте його разом із побутовими відходами. Цей виріб підлягає роздільному збору відходів.



Роздільний збір використаних продуктів та пакувальних матеріалів дозволяє здійснювати їх вторинну переробку з подальшим повторним використанням. Використання матеріалів, що пройшли вторинну переробку, знижує забруднення навколишнього середовища та зменшує потребу в сировинних матеріалах.

Нормативні акти місцевих органів влади можуть передбачати збір використаних електричних виробів окремо від побутових відходів, в муніципальних пунктах збору відходів або в магазині під час покупки нового обладнання.

Компанія BLACK+DECKER надає можливість для збору та повторної переробки виробів BLACK+DECKER після закінчення терміну їх служби. Щоб скористатися перевагою цього сервісу, будь ласка, надішліть ваш виріб будь-якому уповноваженому представнику з ремонту, який збирає такі вироби від нашого імені.

Ви можете дізнатися адресу вашого найближчого уповноваженого представника з ремонту, зателефонувавши в регіональне представництво BLACK+DECKER, вказане в цій інструкції. Крім того, список уповноважених представників з ремонту BLACK+DECKER і детальну інформацію про обслуговування після продажу та контактні дані можна знайти на сайті: **www.2helpU.com**.

## Гарантійні зобов'язання

Black + Decker впевнена в якості своїх виробів та надає виняткову гарантію. Дана заява про гарантії доповнює і ні в якій мірі не порушує ваші законні права.

Якщо продукт виробництва Black + Decker прийде в непридатність внаслідок неякісних матеріалів, неякісного виготовлення або невідповідності вимогам, BLACK+DECKER гарантує в межах 24-х місяців з дати продажу виконувати заміну дефектних деталей, виконувати ремонт виробів, які зазнали природного зносу, або виконувати заміну таких виробів, для зведення до мінімуму незручностей для покупця, за винятком перерахованих нижче випадків:

- Даний продукт був використаний для продажу, на промислових роботах або здавався на прокат.
- Даний продукт використовувався неправильно або без належного догляду.
- Даному продукту було завдано збитків сторонніми предметами, речовинами або внаслідок надзвичайної події.
- Була здійснена спроба ремонту продукту особами, які не є уповноваженими представниками з ремонту або ремонтно-обслуговуючим персоналом Black + Decker.

Щоб заявити претензію по гарантії, необхідно буде надати підтвердження покупки продавцю або уповноваженому представнику з ремонту. Ви можете дізнатися адресу вашого найближчого уповноваженого представника з ремонту, зателефонувавши в регіональне представництво BLACK+DECKER, вказане в цій інструкції. Крім того, список уповноважених представників з ремонту BLACK+DECKER, детальну інформацію про обслуговування після продажу та контактні дані можна знайти на сайті [www.2helpU.com](http://www.2helpU.com).



## Гарантійні умови

### Шановний покупець!

1. Вітаємо Вас з покупкою високоякісного виробу BLACK + DECKER і висловлюємо вдячність за Ваш вибір.
2. При покупці виробу вимагайте перевірки його комплектності і справності у Вашій присутності, інструкцію з експлуатації та заповнений гарантійний талон українською мовою

В гарантійному талоні повинні бути внесені: модель, дата продажу, серійний номер, дата виробництва інструменту; назва, печатка і підпис торговельно-організації. За відсутності у Вас правильно заповненого гарантійного талону, а також при невідповідності зазначених у ньому даних ми будемо змушені відхилити Ваші претензії щодо якості даного виробу.

3. Щоб уникнути непорозумінь, переконливо просимо Вас перед початком роботи з виробом уважно ознайомитися з інструкцією з його експлуатації. Правовою основою справжніх гарантійних умов є чинне Законодавство. Гарантійний термін на даний виріб складає 24 місяці і обчислюється з дня продажу. У разі усунення недовліків виробу, гарантійний строк продовжується на період його перебування в ремонті. Термін служби виробу становить 5 років з дня продажу.
4. У разі виникнення будь-яких проблем у процесі експлуатації виробу рекомендуємо Вам звертатися тільки в уповноважені сервісні центри BLACK + DECKER, адреси та телефони яких Ви зможете знайти в гарантійному талоні, на сайті [www.2helpU.com](http://www.2helpU.com) або дізнатися в магазині. Наші сервісні станції - це не тільки кваліфікований ремонт, але і широкий асортимент запчастин і аксесуарів.
5. Виробник рекомендує проводити періодичну перевірку і технічне обслуговування виробу в уповноважених сервісних центрах.
6. Наші гарантійні зобов'язання поширюються тільки на несправності, виявлені протягом гарантійного терміну і викликані дефектами виробництва та \ або матеріалів.
7. Гарантійні умови не поширюються на несправності виробу, що виникли в результаті:
- 7.1 Недотримання користувачем приписів інструкції з експлуатації виробу, застосування виробу не за призначенням, неправильного зберігання, використання приладдя, витратних матеріалів і запчастин, що не передбачені виробником.

- 7.2 Механічного пошкодження (відколи, тріщини і руйнування) внутрішніх і зовнішніх деталей виробу, основних і допоміжних ружок, мережевого кабелю, що викликані зовнішнім ударним або будь-яким іншим впливом
- 7.3 Потраплення у вентиляційні отвори та проникнення всередину виробу сторонніх предметів, матеріалів або речовин, що не є відходами, які супроводжують застосування виробу за призначенням, такими як: стружка, тирса, пісок, та ін.
- 7.4 Впливу на виріб несприятливих атмосферних і інших зовнішніх факторів, таких як дощ, сніг, підвищена вологість, нагрівання, агресивні середовища, невідповідність параметрів електромережі, що зазначені на інструменті.
- 7.5 Стихійного лиха. Пошкодження або втрати виробу, що пов'язані з непередбаченими лихами, стихійними явищами, у тому числі внаслідок дії непереборної сили (пожежа, блискавка, потоп і інші природні явища), а також внаслідок перепадів напруги в електромережі та іншими причинами, які знаходяться поза контролем виробника.
8. Гарантійні умови не поширюються:
- 8.1. На інструменти, що піддавались розкриттю, ремонту або модифікації поза уповноваженим сервісним центром.
- 8.2. На деталі, вузли та матеріали, що мають сліди природного зносу, такі як: приводні ремені і колеса, вугільні щітки, мастило, підшипники, зубчасті зчеплення редукторів, гумові ущільнення, сальники, направляючі ролики, муфти, вимикачі, бойки, штовхачі, стволы тощо.
- 8.3. На змінні частини: патрони, цанги, затиски гайки і фланці, фільтри, акумуляторні батареї, ножі, шліфувальні підшви, ланцюги, зірочки, пильні шини, захисні кожухи, пили, абразиви, пильні і абразивні диски, фрези, свердла, бури тощо
- 8.4. На несправності, що виникли в результаті перевантаження інструменту (як механічного, так і електричного), що спричинили вихід з ладу одночасно двох і більше деталей і вузлів, таких як: ротора і статора, обох обмоток статора, веденої і ведучої шестерень редуктора або інших вузлів і деталей. До безумовних ознак перевантаження виробу відносяться, крім інших: поява кольорів мінливості, деформація або оплавлення деталей і вузлів виробу, потемніння або обуглювання ізоляції проводів електродвигуна під впливом високої температури.



Виробник:  
**"Stanley BLACK+DECKER Deutschland GmbH"** Black-&-Decker Str.40, D-65510 Idstein, Німеччина



## Kullanım amacı

BLACK+DECKER avuç taşlama makineniz uygun tipte kesme ve taşlama diskinin kullanılarak metal ve taşların taşlanması ve kesilmesi için tasarlanmıştır. Uygun disk muhafazasının takılması suretiyle bu alet sadece hafif hizmet ve hobi kullanımı içindir.

## GÜVENLİK TALİMATLARI



### Genel elektrikli alet güvenlik uyarıları

**Uyarı! Bütün güvenlik uyarılarını ve talimatlarını mutlaka okuyun.** Aşağıda yer alan uyarılar ve talimatların herhangi birisine uyulmaması elektrik çarpması, yangın ve/veya ciddi yaralanma riskine neden olabilir.

### Bütün uyarı ve güvenlik talimatlarını ilerde bakmak üzere saklayın.

Aşağıda yer alan uyarılardaki «elektrikli alet» terimi şebeke elektriğiyle (kablolu) veya akü/pille (şarjlı) çalışan elektrikli aletinizi ifade etmektedir.

#### 1. Çalışma alanının güvenliği

- Çalışma alanını temiz ve aydınlık tutun.** Karışık veya karanlık alanlar kazaya davetiye çıkarır.
- Elektrikli aletleri, yanıcı sıvılar, gazlar ve tozların bulunduğu yerler gibi yanıcı ortamlarda çalıştırmayın.** Elektrikli aletler, toz veya dumanları ateşleyebilecek kıvılcımlar çıkarır.
- Bir elektrikli aleti çalıştırırken çocuklardan ve etraftaki kişilerden uzak tutun.** Dikkatinizi dağıtıcı şeyler kontrolü kaybetmenize neden olabilir.

#### 2. Elektrik güvenliği

- Elektrikli aletlerin fişleri prizlere uygun olmalıdır. Fiş üzerinde kesinlikle hiçbir değişiklik yapmayın.** Topraklı elektrikli aletlerde hiçbir adaptör fişi kullanmayın. Değiştirilmemiş fişler ve uygun prizler elektrik çarpması riskini azaltacaktır.
- Borular, radyatörler, ocaklar ve buzdolapları gibi topraklanmamış**

**yüzeylerle vücut temasından kaçının.** Vücudunuzun topraklanması halinde yüksek bir elektrik çarpması riski vardır.

- Elektrikli aletleri yağmura maruz bırakmayın veya ıslatmayın.** Elektrikli alete su girmesi elektrik çarpması riskini arttıracaktır.
  - Elektrik kablosunu uygun olmayan amaçlarla kullanmayın. Elektrikli aleti kesinlikle kablosundan tutarak taşımayın, çekmeyin veya prizden çıkartmayın.** Kabloyu sıccaktan, yağdan, keskin kenarlardan veya hareketli parçalardan uzak tutun. Hasarlı veya dolaşmış kablolar elektrik çarpması riskini artırır.
  - Elektrikli bir aleti açık havada çalıştırıyorsanız, açık havada kullanıma uygun bir uzatma kablosu kullanın.** Açık havada kullanıma uygun bir kablolu kullanılması elektrik çarpması riskini azaltır.
  - Eğer bir elektrikli aletin nemli bir bölgede çalıştırılması zorluyorsa, bir artık akım aygıtı (RCD) korumalı bir kaynak kullanın.** Bir RCD kullanılması elektrik şoku riskini azaltır.
- #### 3. Kişisel güvenlik
- Elektrikli bir aleti kullanırken her zaman dikkatli olun, yaptığınız işe yoğunlaşın ve sağduyulu davranın. Elektrikli bir aleti yorgunken veya ilaç ya da alkolün etkisi altındayken kullanmayın.** Elektrikli aletleri kullanırken bir anlık dikkatsizlik ciddi kişisel yaralanmayla sonuçlanabilir.
  - Kişisel koruyucu ekipmanları mutlaka kullanın. Daima koruyucu gözlük takın.** Koşullara uygun toz maskesi, kaymayan güvenlik ayakkabıları, baret veya kulaklık gibi koruyucu donanımların kullanılması kişisel yaralanmaları azaltacaktır.
  - İstem dışı çalıştırılmasını önleyin. Aleti güç kaynağına ve/veya aküye bağlamadan, yerden kaldırmadan veya taşımadan önce düğmenin kapalı konumda olduğundan emin olun.** Aleti,

parmağınız düğme üzerinde bulunacak şekilde taşımak veya açık konumdaki elektrikli aletleri elektrik şebekesine bağlamak kazaya davetiye çıkartır.

- d. Elektrikli aleti açmadan önce tüm ayarlama anahtarlarını çıkartın.** Elektrikli aletin hareketli bir parçasına takılı kalmış bir anahtar kişisel yaralanmaya neden olabilir.
  - e. Ulaşmakta zorlandığınız yerlerde kullanmayın. Daima sağlam ve dengeli basın.** Bu, beklenmedik durumlarda elektrikli aletin daha iyi kontrol edilmesine olanak tanır.
  - f. Uygun şekilde giyinin. Bol elbiseler giymeyin ve takı takmayın. Saçınızı, elbiselerinizi ve eldivenlerinizi hareketli parçalardan uzak tutun.** Bol elbiseler ve takılar veya uzun saç hareketli parçalara takılabilir.
  - g. Eğer kullandığınız üründe toz emme ve toplama özellikleri olan ataşmanlar varsa bunların bağlı olduğundan ve doğru şekilde kullanıldığından emin olun.** Bu toz toplama ataşmanların kullanılması tozla ilgili tehlikeleri azaltabilir.
  - h. Aletlerin sık kullanımından edindiğiniz aşinalığın sizi dikkatsiz kılmasına ve alet güvenlik prensiplerini önemsememeye izin vermeyin.** Dikkatsiz bir eylem, bir saniyeden daha az sürede ciddi yaralanmalara neden olabilir.
- 4. Elektrikli aletlerin kullanımı ve bakımı**
- a. Elektrikli aleti zorlamayın. Uygulamanız için doğru elektrikli aleti kullanın.** Doğru elektrikli alet, belirlendiği kapasite ayarında kullanıldığında daha iyi ve güvenli çalışacaktır.
  - b. Düğme açmıyor ve kapatmıyorsa elektrikli aleti kullanmayın.** Düğmeyle kontrol edilemeyen tüm elektrikli aletler tehlikelidir ve tamir edilmesi gerekmektedir.
  - c. Herhangi bir ayarlama, aksesuar değişimi veya elektrikli aletlerin**

**saklanması öncesinde fişi güç kaynağından çekin ve/veya aküyü elektrikli aletten ayırın.** Bu tür önleyici güvenlik tedbirleri aletin istem dışı olarak çalıştırılması riskini azaltacaktır.

- d. Elektrikli aleti, çocukların ulaşamayacağı yerlerde saklayın ve elektrikli aleti tanımayan veya bu talimatları bilmeyen kişilerin elektrikli aleti kullanımına izin vermeyin.** Elektrikli aletler, eğitimsiz kullanıcıların elinde tehlikelidir.
  - e. Elektrikli aletleri ve aksesuarları iyi durumda muhafaza edin. Hareketli parçalardaki hizalama hatalarını ve tutuklukları, parçalardaki kırılmalar ve elektrikli aletin çalışmasını etkileyebilecek tüm diğer koşulları kontrol edin. Hasarlı ise, elektrikli aleti kullanmadan önce tamir ettirin.** Kazaların çoğu, elektrikli aletlerin bakımının yeterli şekilde yapılmamasından kaynaklanır
  - f. Kesim aletlerini keskin ve temiz tutun.** Bakımı uygun şekilde yapılmış keskin kesim uçlu kesim aletlerinin sıkışma ihtimali daha düşüktür ve kontrol edilmesi daha kolaydır.
  - g. Elektrikli aleti, aksesuarlarını ve aletin diğer parçalarını kullanırken bu talimatlarla mutlaka uyun ve çalışma ortamının koşullarını ve yapılacak işin ne olduğunu göz önünde bulundurun.** Elektrikli aletin öngörülen işlemler dışındaki işlemler için kullanılması tehlikeli durumlara neden olabilir.
  - h. Kolları ve kavrama yüzeylerini kuru, yağsız ve gressiz tutun.** Kaygan kollar ve kavrama yüzeyleri, beklenmeyen durumlarda aletin güvenli bir şekilde taşınması ve kontrol edilmesine izin vermez.
- 5. Servis**
- a. Elektrikli aletinizi, sadece orijinal yedek parçaların kullanıldığı yetkili servise tamir ettirin.** Bu, elektrikli aletin güvenliğinin muhafaza edilmesini sağlayacaktır.

## Elektrikli el aletleri için ek güvenlik talimatları



**Uyarı!** Taşlama, zımparalama, fırçalama, polisaj veya aşındırıcı diskle kesme işleri için ek güvenlik talimatları.

- **Bu elektrikli alet bir taşlama, zımparalama, fırçalama, polisaj veya kesme makinesi olarak kullanılmak üzere tasarlanmıştır. Bu elektrikli alet ile verilen tüm güvenlik uyarıları, talimatlar, resimli açıklamalar ve teknik özellikleri okuyun.** Aşağıda belirtilen tüm talimatların herhangi birisine uyulmaması elektrik çarpması, yangın ve/veya ciddi yaralanma riskine neden olabilir.
- **Elektrikli aletin tasarlanma amacı dışındaki işlemler tehlike ve kişisel yaralanmalara neden olabilir.**
- **Üretici firma tarafından özel olarak tasarlanmamış ve tavsiye edilmemiş aksesuarları kullanmayın.** Aksesuarın elektrikli aletinize takılabilir olması güvenli bir çalışma temin edeceği anlamına gelmemektedir.
- **Aksesuarın nominal hızı en az elektrikli alet üzerinde yazan maksimum hıza eşit olmalıdır.** Nominal hızından daha hızlı çalışan aksesuarlar kırılabilir ve etrafa saçılabilir.
- **Aksesuarınızın dış çapı ve kalınlığı elektrikli aletinizin kapasite oranı içinde olmalıdır.** Yanlış ebatlı aksesuarlar yeteri kadar korunamaz ve kontrol edilemez.
- **Disk, flanş, taban ya da diğer aksesuarların mil çapı elektrikli aletin miline tam olarak uymalıdır.** Elektrikli aletin montaj donanımına uymayan mil çapına sahip aksesuarlar dengesiz çalışır, aşırı titreşim yapar ve kontrolü kaybetmeye neden olabilir.
- **Hasar görmüş olan bir aksesuarı kullanmayın. Her kullanımdan önce aksesuarları inceleyin, örneğin diski talaş ve çatlaklara karşı, tabanı çatlak, kopma ya da aşırı kullanıma karşı, tel fırçayı gevşek ya da kırık tellere karşı kontrol edin .Elektrikli alet ya da aksesuar düşürülürse, hasar olup olmadığını kontrol edin ya da sağlam aksesuar takın. Aksesuarın incelenmesi ve monte edilmesinden sonra bir dakika boyunca elektrikli aleti boşta ve maksimum hızda çalıştırın.** Bu test süresince hasarlı aksesuarlar normal olarak kırılarak dağılacaktır.
- **Kişisel koruyucu ekipmanları mutlaka kullanın. Uygulamaya bağlı olarak yüz kalkanı, koruyucu gözlük ya da güvenlik gözlükleri kullanın. Yeri geldiğinde küçük aşındırıcı maddeleri ya da işleme tabi tutulan parçaları durdurabilen toz maskesi, kulaklık, eldiven ve iş önlüğü giyin.** Göz koruması, çeşitli işlemler sonucu açığa çıkan uçan parçacıkları durdurabilmelidir. Toz maskesi ya da gaz maskesi yaptığınız işlem sonucu açığa çıkan parçacıkları filtreleyebilmelidir. Uzun süreli yüksek şiddetli gürültüye maruz kalınması işitme kaybına neden olabilir.
- **Çevrede bulunan şahısları çalışma alanından uzakta güvenli bir mesafede tutun. Çalışma alanına giren şahıslar kişisel koruyucu ekipman giymelidir.** İşleme tabi tutulan parçanın ya da kırık bir aksesuarın parçacıkları fırlayabilir ve çalışma alanının yakın çevresinde yaralanmalara neden olabilir.
- **Aletin zımpara kağıdı/tabanı kendi kablosuna temas edebileceği için elektrikli el aletini yalıtımlı kavrama yüzeylerinden tutun.** «Akım taşıyan» bir teli kesmesi metal kısımları «akım taşıyıcı» hale götürür ve operatörün çarpılmasına yol açacaktır.
- **Kabloyu dönen aksesuardan uzak tutun.** Kontrolü kaybederseniz kablo kesilebilir ya da kopabilir ve eliniz ya da kolunuz dönen aksesuar içine çekilebilir.
- **Aksesuar tamamen durmadıkça elektrikli aleti asla yere koymayın.**

Dönen aksesuar yüzeyi yakalayabilir ve elektrikli aleti kontrolünüzden çıkarabilir.

- **Elektrikli aleti yanınızda taşırken çalıştırmayın.** Kaza ile temas halinde, dönen aksesuar giysinize takılabilir, aksesuarı vücudunuza doğru çekebilir.
- **Elektrikli aletin hava çıkışlarını düzenli olarak temizleyin.** Motor fanı, tozu muhafaza içine çeker ve aşırı metal toplanması elektriksiz tehlike yaratabilir.
- **Elektrikli aleti yanıcı malzemelerin yakınında çalıştırmayın.** Kıvılcım bu malzemeleri tutuşturabilir.
- **Sıvı soğutucu gerektiren aksesuarlar kullanmayın.** Su ya da diğer sıvı soğutucuların kullanılması elektrik çarpması ya da şok ile sonuçlanabilir.

**Not:** Yukarıdaki uyarı sıvı sistemle çalışmak üzere tasarlanmış elektrikli el aletleri için geçerli değildir.

### Geri tepme ve ilgili uyarılar

Geri tepme, sıkışmış veya takılmış bir disk, taban, fırça veya diğer aksesuarlara verilen ani tepkidir. Sıkışma veya takılma dönen aksesuarın aniden durmasına neden olur, bu daha sonra temas noktasında elektrikli aletin kontrolsüzce, aksesuarın dönme yönünün tersine doğru zorlanmasıyla yol açar. Örneğin, bir aşındırıcı disk, işleme tabii tutulan parçaya takılır ya da sıkışır; sıkışma noktasına giren disk kenarı malzemenin yüzeyine saplanarak, diskin geri tepmesine ya da fırlamasına neden olabilir. Disk, sıkışma noktasındaki hareket yönüne bağlı olarak kullanıcıya doğru ya da kullanıcıdan uzağa fırlayabilir. Aşındırıcı diskler bu koşullar altında kırılabilir. Geri tepme, elektrik aletin yanlış kullanılmasından ve/veya yanlış çalıştırma işlemleri veya koşullarından kaynaklanır ve aşağıda da belirtilen uygun tedbirler alınarak önlenir:

- **Elektrikli aleti sıkıca tutun, vücudunuzu ve kolunuzu geri**

**tepme gücüne karşı koyacak şekilde konumlandırın. Geri tepmeye ya da çalıştırma sırasındaki döndürme momenti tepkisine karşı maksimum kontrol sağlamak için eğer varsa yan tutma kolunu kullanın.** Doğru önlemler alınırsa döndürme momenti tepkileri ya da geri tepmeler kullanıcı tarafından kontrol edilebilir.

- **Döner aksesuar civarına asla elinizi sokmayın. Aksesuar elinizde geri tepme etkisi yapabilir.** Geri tepmenin meydana gelmesi durumunda vücudunuzu elektrikli aletin hareket edeceği alanda bulundurmuyun. Geri tepme hareketi aleti takılma noktasında disk hareketine ters yönde itecektir.
- **Köşe, keskin kenarlar vb. yerlerle çalışırken özellikle dikkatli olun. Aksesuarın sekmesinden ve takılmasından kaçının.** Köşeler, keskin kenarlar ya da sektirme hareketi döner aksesuarı engelleme eğilimindedir ve kontrolün kaybedilmesine ya da geri tepmeye neden olabilir
- **Zincirli testere zinciri, ahşap oyma bıçağı ya da dişli daire/gönye testere bıçağı takmayın.** Bu tür bıçaklar sık sık geri tepme ve kontrol kaybı oluşturur.

### Taşıma ve kesme uygulamaları için ek güvenlik uyarıları

#### Taşıma ve aşındırıcı kesme uygulamaları için özel güvenlik uyarıları

- **Sadece elektrikli aletiniz için tavsiye edilen disk türlerini ve seçilen disk için tasarlanmış özel muhafazayı kullanın.** Elektrikli aletin birlikte kullanılmak için tasarlanmadığı diskler yeteri kadar korunamazlar ve güvenli değildir.
- **Muhafazanın elektrikli alete güvenli bir şekilde bağlanması ve maksimum güvenlik için konumlandırılması gerekir, böylece diskin çok az bir kısmı kullanıcıya açık olacaktır.** Muhafaza, kullanıcının kırılan disk parçacıklarından ve disk ile istenmeyen temaslardan korunmasına yardımcı olur.

- **Diskler sadece önerilen uygulamalar için kullanılmalıdır. Örneğin: kesme diskinin kenarı ile taşlama yapmayın.** Aşındırıcı kesici diskler çevresel aşındırma için tasarlanmıştır, bu disklere uygulanan yan kuvvetler diskleri parçalayabilir.
- **Her zaman seçilen disk için doğru ebat ve şekilde, hasarsız flanşları kullanın.** Uygun flanşlar, diski destekler ve disk kırılması olasılığını azaltır. Kesme diski flanşları taşlama diski flanşlarından farklı olabilir.
- **Daha büyük çaplı taşlamaların yıpranmış disklerini kullanmayın.** Daha büyük elektrikli aletler için tasarlanmış disk daha küçük bir aletin yüksek hızları için uygun değildir ve parçalanabilir.

#### **Aşındırıcı kesme uygulamalarına özel ilave güvenlik uyarıları**

- **Kesme diskinin sıkıştırmayın veya aşırı basınç uygulamayın. Çok derin kesmeye çalışmayın.** Diske aşırı yük uygulamak yüklemeyi, diskin kesim sırasında bükülme veya engellenme hassasiyetini ve geri tepme veya disk kırılması olasılığını artırır.
- **Vücudunuzu döner diskle aynı hizaya veya döner diskin arkasına konumlandırmayın.** Disk işlem sırasında sizden uzaklaşıyorsa, olası geri tepme, dönen diski ve elektrikli aleti doğrudan size doğru itebilir.
- **Disk herhangi bir nedenle kesimi engelliyor veya yarıda kesiyorsa, elektrikli aleti düşmesinden apatın ve disk tamamen durana kadar elektrikli aleti hareket ettirmeden tutun.** Disk hareket halindeyken, kesme diskinin kesimden uzaklaşmasını asla denemeyin, aksi takdirde geri tepme meydana gelebilir. Diskin engellenme nedenlerini ortadan kaldırmak için inceleme yapın ve düzeltici önlemler alın.

- **İşleme tabi tutulan parça üzerinde kesme işlemine tekrar başlamayın. Diskin son hıza ulaşmasını sağlayın ve kesim yerine dikkatle tekrar girin.** Elektrikli alet işleme tabi tutulan parça içinde yeniden çalıştırılırsa disk engellenebilir, ilerleyebilir veya geri tepebilir
- **Disk sıkışması ve geri tepmesi riskini en aza indirmek için, panelleri veya işleme tabi tutulan herhangi bir büyük boy işi destekleyin.** İşleme tabi tutulan büyük parçalar kendi ağırlıkları altında bükülme eğilimindedir. Destekler, kesme çizgisi yakınındaki işleme tabi tutulan parçanın altına ve diskin her iki yanında işleme tabi tutulan parçanın yakınına yerleştirilmelidir.
- **Var olan duvarların veya diğer kör alanların içine bir «cep kesim» yaparken aşırı özen gösterin.** Kesilen malzemeden çıkan disk, gaz veya su borularını, elektrik tesisatını veya geri tepmeye neden olabilecek nesnelere kesebilir.

#### **Zımparalama uygulamalarına özel ilave güvenlik uyarıları**

- **Çok büyük zımpara diski kullanmayın. Zımpara diski seçerken üreticinin tavsiyelerine uyun. Zımpara tabanından taşan zımpara diski paralanma tehlikesi yaratır ve takılmaya, diskin yırtılmasına ya da geri tepmeye yol açabilir.**

#### **Polisaj uygulamalarına özel ilave güvenlik uyarıları**

- **Polisaj bonesinin sarkan kısımlarının ya da bağlantı iplerinin serbestçe dönmesine izin vermeyin. Sarkan bağlantı iplerini bonenin içine sokun ya da kesin.** Sarkan veya dönen bağlantı ipleri parmaklarınıza dolanabilir veya çalışma malzemesine takılabilir.

#### **Tel fırça uygulamalarına özel ilave güvenlik uyarıları**

- **Sıradan işlemlerde bile fırçadan tel**

**parçacıkları fırlayabileceğini unutmayın. Fırçaya aşırı yük uygulayarak telleri aşırı germeyin.** Tel parçacıkları ince giysilere ve/ veya deriye kolayca nüfuz edebilir.

- **Tel fırçalama işlemi için muhafaza kullanımını tavsiye edilirse tel çanak ya da tekerlek fırçanın koruyucu ile temasına izin vermeyin.** Tekerlek ya da çanak fırça çapı çalışma yükü ve merkezkaç güçleri nedeniyle genişleyebilir.

### **Diğer kişilerin güvenliği**

- Bu alet fiziksel ve zihinsel kapasitesinin yanı sıra algılama gücü azalmış olan veya yeterince deneyim ve bilgisi bulunmayan kişiler (çocuklar dahil) tarafından kullanılmak üzere üretilmemiştir. Bu tür kişiler aleti ancak güvenliklerinden sorumlu bir kişi tarafından aletin kullanımıyla ilgili talimatların verilmesi veya sürekli kontrol altında tutulması durumunda kullanılabilir. Çocuklar, aletle oynamalarını önlemek amacıyla kontrol altında tutulmalıdır.

### **Titreşim**

Teknik veriler ve uygunluk beyanati içerisinde belirtilen titreşim emisyon değerleri EN60745 tarafından belirlenen standart bir test yöntemine uygun olarak ölçülmektedir ve diğer bir aletle karşılaştırma yaparken kullanılabilir. Beyan edilen titreşim emisyon değeri aynı zamanda maruz kalmanın önceden değerlendirilmesinde de kullanılabilir.



**Uyarı!** Elektrikli aletin mevcut kullanımı sırasındaki titreşim emisyon değeri, aletin kullanım yöntemine bağlı olarak, beyan edilen değere göre farklılık sergileyebilir. Titreşim düzeyi belirlenen seviyenin üzerinde artış gösterebilir.

İşyerinde düzenli olarak elektrikli alet kullanan çalışanları korumak amacıyla 2002/44/EC tarafından getirilen elektrik güvenliği önlemlerini belirlemek üzere titreşime maruz kalmayı değerlendirirken, çalışma döngüsü içerisinde örneğin

aletin kapalı olduğu ve aktif durumda olmasının yanı sıra boşta çalıştığı zamanlar gibi, bütün zaman dilimleri dahil olmak üzere mevcut kullanım durumu ve aletin kullanım şekli göz önünde bulundurularak değerlendirilmelidir.

### **Alet üzerindeki etiketler**



**Uyarı!** Yaralanma riskini en aza indirmek için kullanıcı kullanım talimatlarını mutlaka okumalıdır.



Bu aleti kullanırken koruyucu gözlük kullanın.



Aletle çalışırken kulaklık takın.

### **Elektrik güvenliği**



Bu alet çift yalıtımlıdır. Bu yüzden hiçbir topraklama kablosuna gerek yoktur. Her zaman şebeke geriliminin aletin üretim etiketinde belirlenmiş değerlere uyup uymadığını kontrol edin.

- Elektrik kablosu hasarlı ise, bir tehlike oluşmasını önlemek için üretici ya da yetkili Black & Decker Servis Merkezi tarafından değiştirilmelidir.

### **Özellikler (Şekil A)**

Bu alet, aşağıdaki özelliklerin bir kısmını veya tümünü içermektedir.

1. Açma/kapama düğmesi
2. Yan kol
3. Mil kilidi düğmesi
4. Muhafaza

### **Montaj**



**Uyarı!** Montajdan önce aletin kapalı ve fişinin çekilmiş olduğundan emin olun.

### **Muhafazanın takılması ve çıkartılması (Şekiller B ve C)**

Alet sadece taşlama amaçlı muhafaza ile donatılmıştır. Eğer alet kesme işleri için kullanılacaksa, kesmeye özel muhafaza takılmalıdır. Kesme işlerine uygun muhafaza 1004484-01 parça numarası ile mevcut olup ve BLACK + DECKER servisinde temin edilebilir.

**Takılması**

- Aleti, mili (5) yukarı bakacak şekilde bir masaya yerleştirin.
- Yay pulunu (6) milin üzerine takın ve destek parçası (7) üzerine yerleştirin.
- Muhafazayı (4) gösterildiği gibi aletin üzerine yerleştirin.
- Flaşşı (8), çıkıntılar muhafaza tarafına bakacak şekilde milin üzerine takın. Flaşş üzerindeki deliklerin vida delikleriyle hizalanmış olduğundan emin olun.
- Flaşşı vidaları (9) ile sabitleyin. Vidaların tamamen sıkıldığından ve muhafazanın döndürülebildiğinden emin olun.

**Çıkartılması**

- Tornavida yardımıyla vidaları (9) sökün.
- Flaşşı (8), muhafazayı (4) ve yay pulunu (7) çıkartın. Bu parçaları özenle saklayın.



**Uyarı!** Aleti, kesinlikle muhafazası olmadan kullanmayın.

**Yan kolun takılması**

- Yan kolu (2) alettaki montaj deliklerinden birine takın.



**Uyarı!** Daima yan kolu kullanın.

**Taşılama veya kesme disklerinin takılması ve çıkartılması (Şekil D - F)**

Daima uygulamanız için doğru tipte disk kullanın. Daima doğru çap ve mil bağlantı ölçüsüne sahip diskleri kullanın (Teknik özelliklerine bakın).

**Takılması**

- Muhafazayı, yukarıda belirtildiği gibi takın.
- İç flaşşı (10) gösterildiği gibi milin (5) üzerine yerleştirin (Şekil D). Flaşşın, milin düz tarafının üzerine doğru bir şekilde yerleştirildiğinden emin olun.

- Diski (11) gösterildiği gibi milin (5) üzerine yerleştirin (Şekil D). Disk çıkıntılı bir göbeğe sahipse (12), çıkıntılı göbeğin iç flaşa baktığından emin olun.
- Diskin iç flaşşın üzerine doğru yerleştirildiğinden emin olun.
- Dış flaşşı (13) milin üzerine yerleştirin. Taşıma diskini takarken dış flaştaki yüksek merkez diske bakmalıdır (Şekilde E, A kısmı). Kesme diskini takarken dış flaştaki yüksek merkez diskin aksi yöne bakmalıdır (Şekilde E, B kısmı).
- Mil kilidini (3) basılı tutun ve dış flaşşı çift pimli anahtarı (14) kullanarak sabitletin (Şekil F).

**Çıkartılması**

- Mil kilidini (3) basılı tutun ve dış flaşşı (13) çift pimli anahtarı (14) kullanarak gevşetin (Şekil F).
- Dış flaşşı (13) ve disk (11) çıkartın.

**Zımparalama disklerinin takılması ve çıkartılması (Şekil F ve G)**

Zımparalama için taban gerekmektedir. Tabanı BLACK + DECKER yetkili servisinden temin edebilirsiniz.

**Takılması**

- İç flaşşı (10) gösterildiği gibi milin (5) üzerine yerleştirin (Şekil G). Flaşşın, milin düz tarafının üzerine doğru bir şekilde yerleştirildiğinden emin olun.
- Tabanı (15) milin üzerine yerleştirin.
- Zımparalama disk (16) taban üzerine yerleştirin.
- Dış flaşşı (13), yüksek merkez diskten ters tarafa bakacak şekilde milin üzerine yerleştirin.
- Mil kilidini (3) basılı tutun ve dış flaşşı çift pimli anahtarı (14) kullanarak sabitletin (Şekil F). Dış flaşşın doğru takıldığından ve diskin sıkıca bağlandığından emin olun.

**Çıkartılması**

- Mil kilidini (3) basılı tutun ve dış flaşşı

(13) çift pimli anahtarı (14) kullanarak gevşetin (Şekil F).

- Dış flanşı (13), zımparalama diski (16) ve tabanı (15) çıkartın.

### Diğer tehlikeler

Aletin kullanımıyla ilgili ekte sunulan güvenlik uyarılarına dahil olmayan ilave kalıcı riskler ortaya çıkabilir. Bu riskler, hatalı, uzun süreli kullanım vb. dolayısıyla ortaya çıkabilir.

Emniyet tedbirlerini düzenleyen yönetmeliğin uygulanmasına ve emniyet sağlayıcı aygıtların kullanılmasına rağmen, başka belirli risklerden kaçınılamaz. Bunlar:

- Aletin dönen ve hareket eden parçalarına dokunma sonucu ortaya çıkan yaralanmalar.
- Herhangi bir parçayı, bıçak veya aksesuarı değiştirirken ortaya çıkan yaralanmalar.
- Aletin uzun süreli kullanılması sonucu ortaya çıkan yaralanmalar. Herhangi bir aleti uzun sürelerle kullanacaksanız düzenli olarak çalışmanıza ara verin.
- Duyuma bozukluğu.
- Aleti kullanırken ortaya çıkan tozun solunması sonucu ortaya çıkan sağlık sorunları (örnek: ahşapta çalışırken, özellikle meşe, akgürgen ve MDF).

### Kullanım



**Uyarı!** Aletin kendi hızında çalışmasına izin verin. Aşırı yüklenmeyin.

- Kaza ile kablonun kesilmesini önlemek için çalışırken kabloya dikkat edin.
- Taşlama veya kesme diski, üzerinde çalışılan parçaya temas ettiğinde bir kıvılcım akımına hazırlıklı olun.
- Aleti daima, muhafazanın, taşlama veya kesme diskinden en uygun korunmayı sağlamasına olanak tanıyacak şekilde tutun.

### Açılması ve kapatılması

- Aleti çalıştırmak için, açma/kapama düğmesini (1) ileriye kaydırın. Düğmeyi

bıraktığınızda aletin çalışmaya devam edeceğine dikkat edin.

- Aleti kapatmak için açma/kapama düğmesinin arka tarafına basın.



**Uyarı!** Aleti yük altındayken kapatmayın.

### En uygun kullanım için yararlı tavsiyeler

- Aleti tek elinizle yan kolun etrafından diğer elinizle ise ana koldan sıkı bir şekilde tutun.
- Taşlama yaparken, daima disk ile üzerinde çalıştığınız parçanın yüzeyi arasında yaklaşık 15°'lik bir açı bırakın.

### Bakım

BLACK + DECKER aletiniz minimum bakımla uzun bir süre çalışacak şekilde tasarlanmıştır. Kesintisiz olarak memnuniyet verici bir şekilde çalışması gerekli özenin gösterilmesine ve düzenli temizliğe bağlıdır.



**Uyarı!** Elektrikli/şarjlı alet üzerinde herhangi bir bakım işlemi gerçekleştirmeden önce:

- Aleti kapatın ve fişten çekin.
- Ya da aletin çıkartılabilir aküsü varsa; aleti kapatın ve aküyü aletten çıkartın.
- Veya aletin dahili aküsü varsa, bitene kadar çalıştırın ve sonra kapatın.
- Şarj cihazını temizlemeden önce fişten çekin. Şarj cihazınız, düzenli temizlik dışında herhangi bir bakım gerektirmemektedir.
- Aletinizdeki ve şarj cihazındaki havalandırma deliklerini yumuşak bir fırça veya kuru bir bezle düzenli olarak temizleyin.
- Motor muhafazasını düzenli olarak nemli bir bezle silin. Aşındırıcı veya çözücü bazlı temizleyiciler kullanmayın.
- Mandreni düzenli olarak tamamen açın ve içindeki tozu dökmek için hafifçe vurun (mandren alete takılıysa).



G915		
Voltaj	Vac	220 - 240
Yüksüz hızı	dev/dak	11000
Disk çapı	mm	125
Maks. disk gövde kalınlığı taşıma disk	mm	6
	mm	3
Mil boyutu	mm	M14
Ağırlık	kg	2.1

### Çevrenin korunması



Ayrı olarak atın. Bu ürün, normal evsel atıklarla birlikte atılmamalıdır. BLACK+DECKER ürününüzün değiştirilmesi gerektiğini düşünmeniz veya artık kullanılamaz durumda olması halinde onu, evsel atıklarla birlikte atmayın. Bu ürünü, ayrı olarak toplanacak şekilde atın.



Kullanılmış ürünlerin ve ambalajların ayrı olarak toplanması bu maddelerin geri dönüşüme sokularak yeniden kullanılmasına olanak tanır. Geri dönüşümlü maddelerin tekrar kullanılması çevre kirliliğinin önlenmesine yardımcı olur ve ham madde ihtiyacını azaltır.

Yerel yönetmelikler, elektrikli ürünlerin evlerden toplanıp belediye atık tesislerine aktarılması veya yeni bir ürün satın alırken perakende satıcı tarafından toplanması yönünde hükümler içerebilir.

BLACK+DECKER, hizmet ömrünün sonuna ulaşan BLACK+DECKER ürünlerinin toplanması ve geri dönüşme sokulması için bir imkan sunmaktadır. Bu hizmetin avantajlarından faydalanmak için, lütfen, ürününüzü bizim adımıza teslim alacak herhangi bir yetkili servise iade edin.

Bu kılavuzda belirtilen listeden size en yakın BLACK+DECKER yetkili tamir servisinin yerini öğrenebilirsiniz. Ya da, alternatif olarak internet'ten BLACK+DECKER yetkili tamir servislerinin listesini ve satış sonrası hizmetlerimizle ilgili tüm bilgiler ve temas bilgilerine aşağıdaki siteden ulaşabilirsiniz.

[www.2helpU.com](http://www.2helpU.com)

## Garanti

BLACK+DECKER, ürünün kalitesinden emindir ve bu yüzden kanunlarda belirtilen taleplerin üstünde bir garanti verir. Ayrıca bu garanti hiçbir şekilde garanti ile ilgili kanuni haklarınızı ihlal etmez ve haklarınızı hiç bir şekilde kısıtlamaz.

Eğer bir BLACK+DECKER ürünü, satın alma tarihinden itibaren 24 ay içinde hatalı malzeme, işçilik ya da uygunsuzluk nedeniyle bozulursa, müşteriye mümkün olabilecek en az sorunu yaşatarak BLACK+DECKER hatalı kısımları değiştirmeyi, adil bir şekilde aşınmış ve yıpranmış ürünleri tamir etmeyi veya değiştirmeyi garanti eder. Ancak bu belirtilenler şu durumlar dışında geçerlidir:

- Ürün ticari veya profesyonel amaçlarla kullanılmışsa veya kiraya verilmişse;
- Ürün yanlış veya amaç dışı kullanılmışsa;
- Ürün yabancı nesnelere, maddelere veya kaza sırasında zarar görmüşse;
- Yetkili tamir servisleri veya Black + Decker servis ekibinden başkası tarafından tamir edilmeye çalışılmışsa.

Garanti talebinde bulunmak için, satıcıya veya yetkili tamir servisine satın aldığınıza dair ispat sunmalısınız. Fatura ve garanti kartı gerekmektedir. Bu kılavuzda belirtilen listeden size en yakın BLACK+DECKER yetkili tamir servisinin yerini öğrenebilirsiniz. Ya da, alternatif olarak internet'ten BLACK+DECKER yetkili tamir servislerinin listesini ve satış sonrası hizmetlerimizle ilgili tüm bilgiler ve temas bilgilerine aşağıdaki siteden ulaşabilirsiniz. [www.2helpU.com](http://www.2helpU.com)

## حماية البيئة



جمع المخلفات وفرزها. يلزم عدم التخلص من هذا المنتج مع القمامة المنزلية العادية. إذا لزم في يوم ما استبدال منتج BLACK+DECKER الخاص بك، أو إذا لم تعد تستخدمه، فلا تتخلص منه مع القمامة المنزلية الأخرى. اجعل هذا المنتج جاهزاً لعملية جمع المخلفات وفرزها.



يسمح الجمع والفرز المنفصل للمنتجات المستعملة ومواد التغليف بإعادة تدوير المواد واستعمالها من جديد. إعادة استعمال المواد المعاد تصنيعها يساعد على منع التلوث البيئي ويقلل الطلب على المواد الأولية.

قد تنص الأنظمة المحلية على ضرورة الجمع المنفصل للمنتجات الكهربائية من المنازل أو في مواقع البلدية للتفاريات أو بواسطة بائع التجزئة عندما تشتري منتجاً جديداً.

توفر BLACK+DECKER التسهيلات لتجميع وإعادة تدوير منتجات BLACK+DECKER عندما تصل إلى نهاية حياتها العملية. للاستفادة من هذه الخدمة، يُرجى إعادة منتجك لوكيل الصيانة المعتمد وسوف يستلمها بالنيابة عنك.

يمكنك التعرف على موقع أقرب وكيل صيانة معتمد من خلال الاتصال على مكتب BLACK+DECKER المحلي لديك في العنوان الموضح في هذا الدليل. وكبديل آخر، توجد قائمة بوكلاء الصيانة المعتمدين التابعين لشركة BLACK+DECKER والتفاصيل الكاملة لخدمات ما بعد البيع ووسائل الاتصال الخاصة بنا على الإنترنت على: [www.2helpU.com](http://www.2helpU.com)

## الضمان

تتق بلاك أند ديكر بجودة منتجاتها وتقدم ضماناً مميزاً. ويكون بيان الضمان هذا بالإضافة ولا يخل بأي حال من الأحوال بالحقوق القانونية.

إذا أصبح منتج بلاك أند ديكر معيباً بسبب عيوب المواد والصناعة وعدم المطابقة، تضمن بلاك أند ديكر في غضون ٢٤ شهراً من تاريخ الشراء استبدال الأجزاء المعيبة وإصلاح المنتجات مع مراعاة البولي باستخدام العادي أو استبدال هذه المنتجات للتأكد من رضا العملاء ما لم:

- تم استخدام المنتج لأغراض تجارية أو مهنية أو للتأجير.
- إهمال أو إساءة استخدام المنتج.
- تعرض المنتج لتلف بسبب مواد أو أعراض غريبة أو الحوادث.
- محاولة إجراء عمليات الإصلاح من قبل الأشخاص الآخرين بخلاف وكلاء الإصلاح المصرح بهم أو فريق الخدمة التابع لبلاك أند ديكر.

للمطالبة بالضمان، يجب تقديم إثبات الشراء للبائع أو وكيل البيع المعتمد. ويمكنك معرفة مكان أقرب وكيل إصلاح معتمد بمراجعة مكتب بلاك أند ديكر المحلي في العنوان المشار إليه في الدليل. كما تتوفر قائمة بوكلاء الإصلاح المعتمدين لدى بلاك أند ديكر وبيانات خدمات ما بعد البيع والاتصال على الموقع الإلكتروني: [www.2helpU.com](http://www.2helpU.com)

## الإزالة

تحذيراً! عليك القيام بما يلي قبل إجراء أي صيانة على



الأجهزة السلكية/اللاسلكية:

- أوقف التشغيل وافصل الجهاز/الآلة عن الكهرباء.
- أو أوقف التشغيل وأزل البطاريات من الجهاز/الأداة إذا كان يحتوي على علب بطاريات منفصلة.
- أو استخدم الجهاز حتى تفرغ البطارية تماماً إن كانت مدمجة، ثم أوقف التشغيل.
- افصل الشاحن عن التيار الكهربائي قبل تنظيفه. لا يتطلب شاحنك أية صيانة سوى التنظيف المنتظم.
- قم بتنظيف منافذ التهوية بانتظام في أداك باستخدام فرشاة ناعمة أو قطعة قماش جافة.
- نظف مبيت المحرك بانتظام باستخدام قطعة قماش مبللة. لا تستخدم المنظفات الكاشطة أو المذيبة.
- احرص على فتح قامة اللقم بانتظام وانقر عليه لتنظيفه أي غبار عالق به من الداخل (عند تركيبه).

## البيانات الفنية

G915		
240 - 220	جهد تيار متردد	الجهد الكهربائي
900	(وات)	دخل الطاقة
11000	دقيقة-1-	سرعة بدون تحميل
125	ملم	قطر القرص
22.2	ملم	عمق القرص
6	ملم	السك الأقصى
3	ملم	للقرص أقراص الجليخ أقراص القطع
M14	ملم	مقاس محور الدوران
2.1	كجم	الوزن

- حافظ على قفل محور الدوران (3) مضغوطاً وفك الشفة الخارجية (13) باستخدام مفتاح ربط ثنائي (14) (الشكل F).
  - أزل الشفة الخارجية (13) وقرص الصنفرة (16) ولوح الدعم (15).
- المخاطر المتبقية
- عند استخدام الجهاز يمكن أن تظهر مخاطر متبقية إضافية قد لا تكون مدرجة في تحذيرات السلامة المرفقة. يمكن أن تنشأ تلك المخاطر من الاستخدام السيء أو المطول إلخ.
- حتى مع اتباع تعليمات السلامة وتطبيق تجهيزات السلامة فهناك بعض المخاطر الأخرى التي لا يمكن تجنب وقوعها. وتشمل:
- إصابات تنشأ جراء ملامسة أي أجزاء دوارة/متحركة.
  - إصابات تنشأ عند تغيير أي أجزاء أو شفرات أو ملحقات.
  - إصابات تنشأ جراء طول فترة استعمال الأداة. احرص على توفير فترات راحة منتظمة عند استعمال الأداة لفترات طويلة.
  - تضرر السمع.
  - المخاطر الصحية الناتجة عن استنشاق الغبار المتكون عند استخدام جهازك (على سبيل المثال: التعامل مع الأخشاب، ولا سيما البلوط والزنان والخشب المضغوط (MDF).

## الاستخدام

تحذيراً! اترك الآلة تعمل بوتيرتها المعتادة. لا تفرط في الأحمال.



- وجه وضع الكابل بعناية حتى لا تتسبب في قطعه دون قصد.
  - استعد لكمية كبيرة من الشرر بمجرد ملامسة قرص القطع أو الشدح للمشغولة.
  - التزم دائماً بضبط وضع الأداة بطريقة تجعل من الدرغ يوفر أفضل حماية من قرص القطع أو الشدح.
- التشغيل وإيقاف التشغيل
- للتشغيل، حرك مفتاح التشغيل/الإيقاف (1) للأمام. لاحظ أن الأداة ستستمر في العمل عند تحرير المفتاح.
  - لإيقاف التشغيل، اضغط على الجزء الخلفي من مفتاح التشغيل/إيقاف التشغيل.

تحذيراً! لا تقم بتشغيل أو إطفاء الأداة وهي تحت تأثير



- الحمل. تلمیحات الاستخدام الأمثل
- أمسك الأداة جيداً بوضع إحدى يديك على المقبض الجانبي واليد الأخرى على المقبض الرئيسي.
- عند الجليخ، ينبغي أن تحافظ دائماً على زاوية 15 درجة تقريباً بين القرص وسطح العمل.

## الصيانة

صُممت أداة BLACK+DECKER لكي تعمل على مدار فترة زمنية طويلة بأقل قدر من الصيانة. ويعتمد استمرار الآلة في أداء عملها على النحو المرضي على العناية المناسبة والتنظيف المنتظم.

تركيب وإزالة أقراص الجليخ والقطع (الشكل F - D)  
ننصح دائماً باستخدام النوع الصحيح من الأقراص التي تناسب  
الغرض من الاستخدام. كما ينبغي الالتزام باستخدام الأقراص  
ذات الأقطار والعمق المناسب (أنظر البيانات الفنية).

#### التركيب

- ثبت الدرغ وفق الموضع أعلاه.
- ثبت الشفة الداخلية (10) على محور الدوران (5) كما هو  
موضح (الشكل D). تأكد من وضع الشفة في وضعها الصحيح  
على الجانب المسطح من محور الدوران.
- ثبت الشفة الداخلية (11) على محور الدوران (5) كما هو  
موضح (الشكل D). إن كان القرص به بمركز مرتفع (12)،  
عليك التأكد من وضع المركز المرتفع تجاه الشفة الداخلية.
- تأكد من وضع القرص في بشكل صحيح على الشفة الداخلية.
- ضع الشفة الخارجية (13) على محور الدوران. عند تركيب  
قرص الجليخ، ينبغي أن يكون الوسط المرتفع من الشفة  
الخارجية مواجهاً للقرص (A في E). عند تركيب قرص القطع،  
ينبغي أن يكون الوسط المرتفع من الشفة الخارجية يخالف  
القرص (B في E).
- حافظ على قفل محور الدوران (3) مضغوطاً وأحكام ربط الشفة  
الخارجية بواسطة مفتاح ربط ثنائي (14) (الشكل F).

#### الإزالة

- حافظ على قفل محور الدوران (3) مضغوطاً وفك الشفة  
الخارجية (13) باستخدام مفتاح ربط ثنائي (14) (الشكل F).
- أزل الشفة الخارجية (13) والقرص (11).

#### تركيب وإزالة أقراص الصنفرة (الشكل F و G)

للصنفرة، يتطلب استخدام لوح دعم. يتوفر لوح الدعم من موزع  
BLACK+DECKER لديك كإحدى الكماليات.

#### التركيب

- ثبت الشفة الداخلية (10) على محور الدوران (5) كما هو  
موضح (الشكل G). تأكد من وضع الشفة في وضعها الصحيح  
على الجانب المسطح من محور الدوران.
- ضع لوح الدعم (15) على محور الدعم.
- ضع قرص الصنفرة (16) على لوح الدعم.
- ضع الشفة الخارجية (13) على محور الدوران حيث يخالف  
المركز المرتفع القرص.
- حافظ على قفل محور الدوران (3) مضغوطاً وأحكام ربط الشفة  
الخارجية بواسطة مفتاح ربط ثنائي (14) (الشكل F). تأكد من  
تركيب الشفة الخارجية بشكل صحيح وأن القرص مثبت  
بإحكام.

• في حالة تلف سلك الكهرباء، يجب استبداله من قبل المصنّع أو  
مركز خدمة BLACK+DECKER معتمد لتجنب المخاطر.  
الخصائص  
تشمل هذه الأداة على بعض أو جميع الخصائص التالية:

1. مفتاح التشغيل/الإيقاف
2. المقبض الجانبي
3. قفل محور الدوران
4. الدرغ

#### تجميع الأجزاء

تحذيراً: قبل التجميع تحقق من أن الجهاز مطلقاً  
ومفصول.

#### تركيب الواقي وإزالته (الشكل C, B)

تأتي هذه الأداة مزودة بواقي للاستخدام في أعمال الجليخ فقط. أما  
إن كان الغرض من استخدام الأداة هو أعمال القطع، فينبغي  
تركيب الدرغ المخصص لهذا الغرض. يُتاح الواقي المناسب  
لعمليات القطع بقطعة رقم 01-1004484 ويمكن الحصول عليه من  
مراكز خدمة BLACK + DECKER.

#### التركيب

- ضع الأداة على الطاولة، بحيث يكون محور الدوران (5)  
متجهاً لأعلى.
- ثبت حلقة زنبركية (6) فوق عمود الدوران وضعها على (7)  
المسند.
- ضع الواقي (4) على الأداة كما هو موضح.
- ضع الشفة (8) على محور الدوران بحيث تواجه النتوءات  
البارزة الدرغ. تأكد من محاذاة فتحات الشفة مع ثقوب  
البرافي.
- ثبت الحافة جيداً بالبرافي (9). تأكد من إحكام ربط البرافي  
وإمكانية تدوير الدرغ.

#### الإزالة

- استخدم مفك لإزالة البرافي (9).
- أزل الشفة (8)، والدرغ (4) والحلقة الزنبركية (7). التزم  
بتخزين القطع بعناية.

تحذيراً! لا تستخدم هذه الأداة مطلقاً بدون الدرغ.

#### تركيب المقبض الجانبي

- ثبت المقبض الجانبي (2) بواسطة المسامير في فتحات  
التركيب المخصصة له على جانب الأداة.
- تحذيراً! التزم باستخدام المقبض الجانبي دائماً.

## تحذيرات السلامة الخاصة بعمليات الصنفرة

- تجنب استخدام قرص صنفرة كبير الحجم أكثر من اللازم.
- التزم باتباع تعليمات المصنع، عند اختيار أوراق الصنفرة. يؤدي استخدام ورقة صنفرة أكبر من لوح الصنفرة إلى خطر التمزق، وقد تتسبب في تمزيق أو خرق القرص أو ارتداده.

## تحذيرات السلامة الخاصة بعمليات التلميع

- لا تترك أي أجزاء سائبة لطربوش التلميع أو خيوط الملحقة تدور بشكل حر. قم بتثذيب أو قطع أية خيوط سائبة. فخيوط الملحقة السائبة أو التي تدور بشكل حر يمكن أن تشبك مع أصابعك أو تتمزق على قطعة الشغل.

## تحذيرات السلامة الخاصة لاستخدام الفرشاة السلك

- انتبه إلى تطاير شظايا من سلك الفرشاة حتى أثناء عمليات التشغيل العادية. تجنب الإفراط في إجهاد الأسلاك بالحمل الزائد. قد تخترق شظايا فرشاة السلك الملابس و/أو البشرة بسهولة.
- إذا كان استخدام الواقي موصى به عند استخدام فرشاة السلك، فلا تسمح بأي تداخل بين عجلة ذات الأسلاك أو الفرشاة مع الواقي. حيث قد يمتد قطر فرشاة السلك نتيجة حمل التشغيل أو قوى الطرد المركزية.

## سلامة الآخرين

- هذا الجهاز غير مصمم ليستخدمه الأشخاص ذوو القدرات الجسدية والحسية والعقلية المتدنية أو من تنقصهم الخبرة والمعرفة (بما في ذلك الأطفال) إلا في ظل الإشراف عليهم أو إعطائهم التعليمات المتعلقة باستخدام الجهاز من قبل الشخص المسؤول عن سلامتهم.
- ينبغي مراقبة الأطفال لضمان عدم عبثهم بالجهاز.

## الملصقات الموجودة على الأداة

قد تشتمل الملصقة الموجودة في أداتك على الرموز الآتية بجانب كود التاريخ:

- تحذير! من أجل تقليل مخاطر الإصابة، يجب على المستخدم قراءة دليل التعليمات.
- ارتد نظارات حماية أو أمان عند استخدام هذه الأداة.
- ارتد واقي الأذن عند استخدام هذه الأداة.

## السلامة من مخاطر الكهرباء

- هذا الجهاز معزول عزلاً مزدوجاً، وبالتالي لا حاجة إلى توصيل سلك أرضي. تحقق دائماً من أن جهد وحدة الإمداد بالطاقة يتناسب مع الجهد المحدد على الجهد المقدّر.

- يجب استخدام الأقراص فقط للتطبيقات الموصى بها. على سبيل المثال: لا تقم بالحفر بجانب قرص القطع. أقراص القطع الجالخة مخصصة لأعمال الجلج الطرفي، وتطبيق أي قوة جانبية على هذه الأقراص يمكن أن يتسبب في تحطيمها.
- احرص دائماً على استخدام شفاة أقراص غير تالفة ولديها نفس المقاس والحجم الصحيح للقرص المختار. تعمل شفاة القرص المناسبة على دعم القرص وبالتالي تقليل احتمالية كسر القرص. من الممكن أن تكون شفاة أقراص القطع مختلفة عن شفاة أقراص الجلج.
- لا تستخدم الأقراص المتآكلة من أدوات أكبر. الأقراص المخصصة للاستخدام مع الأدوات الكهربائية الأكبر ليست مناسبة للعمل مع سرعات أعلى لأداة أصغر ويمكن أن تنشق.

## تحذيرات السلامة الإضافية خاصة بعمليات الجلج والقطع.

- لا تتسبب في "حشر" قرص القطع أو تطبيق ضغطاً مفرطاً. تجنب محاولة القطع على عمق كبير. يؤدي الضغط الشديد للقرص إلى زيادة التحميل واحتمال التواء أو تكبير القرص أثناء القطع واحتمالية حدوث ارتداد أو كسر للقرص.
- تجنب وضع جسدك في وضع مواز للقرص الدوار. عندما يتحرك القرص، عند نقطة اتصاله بالعمل، في اتجاه بعيد عن جسدك، قد يتسبب الارتداد في توجيه القرص الدوار والأداة الكهربائية مباشرة إليك.
- في حالة تكبير القرص أو توقف القطع لأي سبب من الأسباب، فسارع بإيقاف تشغيل الأداة الكهربائية وأوقف حركتها إلى أن يتوقف القرص تماماً عن الحركة. لا تحاول مطلقاً نزع القرص من عملية القطع أثناء تحرك القرص ولا فقد يحدث ارتداد. قم بالبحث واتخاذ الإجراءات اللازمة للقضاء على أسباب تكبير القرص.
- لا تعد عملية القطع على قطعة العمل. اترك القرص يصل إلى سرعته القصوى ثم أعد ادخاله بحرص في القطع. فربما تتعرض العجلة للانثناء، أو الارتداد إن قمت بإعادة تشغيل الأداة أثناء وجودها بالمشغولة.
- دعم العمل بألواح كبيرة وذلك لتقليل خطر ضغط القرص أو ارتداده. تميل الألواح الكبيرة للارتخاء بسبب تأثير وزنها. ينبغي وضع ألواح التدعيم تحت كلا جانبي القاعدة، بالقرب من خط القطع وبالقرب من حافة القاعدة على جانبي القرص.
- توخى أقصى الحذر عند القيام بـ "قطع جيبي" في الجدران القائمة أو المناطق العمياء الأخرى. يمكن استخدام القرص البارز في قطع أنابيب الغاز أو المياه، والأسلاك الكهربائية والأجسام التي قد تتسبب في الارتداد.

العالق أو لوح التدديم أو الفرشاة أو أية ملحقات أخرى. يتسبب الضغط أو العلق في التوقف السريع للملحِق الدوار والذي بدوره يتسبب في إجبار الأداة الكهربائية غير المتحكم فيها على التحرك في الاتجاه المضاد لاتجاه دوران الملحق عند نقطة الإعاقَة. على سبيل المثال، إذا علق أو انضغط قرص الجِلج في قطعة المشغل، فإن حافة القرص الداخلة في نقطة الضغط قد تدخل في سطح المادة مما قد يسبب انثناء القرص أو اعوجاجه. قد يقفز القرص تجاه المشغل أو بعيداً عنه، بحسب اتجاه حركة القرص في نقطة الضغط. وقد تنكسر أقراص الجِلج في ظل هذه الظروف. يحدث الارتداد نتيجة لسوء استخدام الأداة الكهربائية و/أو طريقة أو ظروف التشغيل غير الصحيحة، ويمكن تجنب ذلك من خلال اتخاذ الاحتياطات المناسبة، كما هو مبين أدناه.

- أحكم قبضتك على الأداة الكهربائية وثبت جسمك وذراعك في وضع يسمح لك بمقاومة قوى الارتداد. احرص دائماً على استخدام مقبض إضافي، إن وجد، للتحكم الأقصى في الارتداد أو رد فعل عزم الدوران أثناء بدء التشغيل. يمكن للمشغل التحكم في رد فعل عزم الدوران أو قوى الارتداد، في حال اتخاذ الاحتياطات المناسبة.
- لا تضع يدك مطلقاً بالقرب من قطعة الملحقات الدوارة. حيث قد ترتد قطعة الملحقات تجاه يدك.
- لا تضع جسمك في المنطقة التي سوف تتجه إليها الأداة الكهربائية في حالة حدوث الارتداد. سوف يدفع الارتداد الأداة في الاتجاه المضاد لحركة القرص عند نقطة العلق.
- يجب توخي العناية اللازمة عند العمل في الزوايا أو الحواف الحادة وما إلى ذلك. تجنب انزلاق أو علق الملحق. قد تسبب الزوايا أو الحواف الحادة أو الانزلاق علق قطعة الملحقات الدوارة؛ ما يؤدي إلى فقدان السيطرة أو الارتداد.
- لا توصل شفرة منشار حفر الخشب أو شفرة المنشار المسنن. حيث تتسبب مثل هذه الشفرات في حدوث ارتداد متكرر وفقدان التحكم.

تعليمات سلامة إضافية خاصة بعمليات الجِلج والقطع.  
تحذيرات السلامة الخاصة بعمليات الجِلج والقطع.

- استخدم فقط الأنواع الموصى بها للأداة الكهربائية الخاصة بك والواقي المخصص للقرص المحدد. لا يمكن الحفاظ بشكل ملائم على الأقراص التي لم تُصمم للاستخدام مع الأداة الكهربائية وتعتبر غير آمنة.
- ينبغي تركيب الواقي بدقة على الأداة الكهربائية ووضعه بأقصى قدر من الأمان، بحيث يكون أقل جزء من العجلة مكشوفاً بالنسبة للمشغل. يساعد الدرع على حماية المشغل من شظايا القرص المكسور والتلامس العرضي للقرص.

- ارتد معدات الحماية الشخصية. حسب التطبيق، استخدم واقي الوجه أو نظارات الوقاية أو نظارات الأمان. حسب الحاجة، ارتد قناع الأتربة وواقيات الأذن والقفازات ومئزر العمل القادرة على الحماية من الكواشط وشظايا العمل الصغيرة. يجب أن يكون واقي العينين قادراً على منع البقايا المتطايرة المتولدة عن العمليات المختلفة. قناع الأتربة أو كاماة التنفس يجب أن تكون قادرة على تنقية الجزيئات المتولدة عن العملية. يمكن أن يتسبب التعرض المستمر لضجيج شديد الكثافة في فقدان السمع.
- احرص على إبعاد المتواجدين في منطقة العمل بمسافة آمان كافية. يجب على أي شخص يدخل منطقة العمل ارتداء معدات الحماية الشخصية. يمكن أن تتطاير شظايا قطع العمل أو الملحقات المكسورة وتتسبب في إلحاق إصابات خارج نطاق منطقة التشغيل.
- امسك الأداة الكهربائية باستخدام أسطح إمساك معزولة، فقد يلامس شريط الصنفرة / قاعدة الصنفرة سلك الأداة نفسها. يمكن أن يؤدي قطع سلك "حي" إلى جعل الأجزاء المعدنية المكشوفة للأداة "طرف حي" مما قد يعرض المشغل لصدمة كهربائية.
- ضع السلك بحيث يكون خالياً من الملحقات الدوارة. إذا فقدت توازنك، فيمكن أن يتعرض السلك للقطع أو للتمزق، ويمكن أن تُسحب يدك أو ذراعك إلى داخل الملحق الدوار.
- لا تقم مطلقاً بإنزال الأداة الكهربائية حتى تتوقف تماماً عن الحركة. يمكن أن يتعلق الملحق الدوار بالسطح ويُخرج الأداة الكهربائية عن تحكّمك.
- لا تقم بتشغيل الأداة الكهربائية أثناء حملها على جانبك. يمكن أن يؤدي التلامس المفاجئ مع الملحق الدوار أن إلى التشتت بملابسك وسحب الملحق تجاه جسمك.
- نظف فتحات تهوية الأداة الكهربائية بانتظام. سوف تقوم مروحة المحرك بإدخال الغبار إلى المبيت، وقد يسبب التراكم الزائد للغبار المعدني وقوع مخاطر كهربائية.
- لا تشغل الأداة الكهربائية بالقرب من مواد قابلة للاشتعال حيث يمكن أن يشعل الشرر هذه المواد.
- لا تستخدم الملحقات التي تتطلب مواد تبريد سائلة. قد يتسبب استخدام الماء أو أية وسائل تبريد أخرى في التعرض لصدمة كهربائية أو الصعق.

ملاحظة: لا يسري التحذير السابق على الأدوات الكهربائية المصممة خصيصاً لتستخدم مع نظام السوائل.

### الارتداد والتحذيرات المتعلقة به

يُقصد بالارتداد هو رد الفعل المفاجئ للقرص الدوار المضغوط أو

5. الخدمة
- a. احرص على أن يقوم فني متخصص بإصلاح الأداة الكهربائية الخاصة بك وباستخدام قطع الغيار المتطابقة فقط. وذلك يضمن المحافظة على سلامة الأداة الكهربائية.
- تحذيرات السلامة الإضافية للأداة الكهربائية
- تحذيراً! تحذيرات سلامة إضافية خاصة بعمليات الجلك والصنفرة واستخدام فرشاة السلك، والتنعيم أو التجليخ أو القطع الكاشط.
- هذه الأداة الكهربائية مخصصة للعمل كمجلكة. احرص على قراءة كل تحذيرات السلامة والتعليمات والرسوم التوضيحية ذات الصلة والمواصفات المرفقة مع الأداة الكهربائية. أي قصور في اتباع تعليمات السلامة الموضحة أدناه يمكن أن تتسبب في التعرض لصدمة كهربائية ونشوب حريق و/أو وقوع إصابات بالغة.
- إن استخدام الأداة الكهربائية في العمليات التي لم تُصمم لتنفيذها يمكن أن يتسبب في وقوع مخاطر وإصابات شخصية بالغة.
- لا تستخدم الملحقات التي لم تُصمم خصيصاً وموصى بها من قبل الجهة المصنعة للأداة. لأن الملحقات يمكن توصيلها بالأداة الكهربائية الخاصة بك، ولا تضمن تشغيلاً آمناً.
- يجب أن تكون السرعة المقننة للملحقات على الأقل مساوية للسرعة القصوى الموضحة على الأداة الكهربائية. يمكن أن تنكسر وتتطاير الملحقات التي تعمل بمعدل أسرع من سرعتها المقررة.
- القطر الخارجي وسمك الملحقات الخاصة بك يجب أن يكون في إطار تقييم القدرة للأداة الكهربائية. الملحقات غير صحيحة المقاس لا يمكن حمايتها أو التحكم فيها بشكل مناسب.
- يجب أن يتلاءم مقاس محور العجلات والشفاه ووسادات التغطية أو أية كماليات مع محور الأداة الكهربائية بشكل مناسب. الكماليات ذات الفجوات غير المتوافقة مع هارديوير التركيب لأداة الطاقة الكهربائية سوف تخرج من التوازن وتهتز بشدة ويمكن أن تتسبب في فقدان التحكم.
- لا تستخدم كماليات متضررة. افحص الملحقات قبل كل استخدام مثل قرص السحج للتحقق من الشقوق والخدوش، أو وسادة التغطية للتحقق من الشقوق أو التمزق أو البلى الزائد، أو فحص الفرشاة السلكية للتحقق من الأسلاك المرتخية أو المشقوفة. إذا سقطت الأداة الكهربائية أو الملحقات، فتتحقق من وجود تلف أو قم بتركيب ملحق غير تالف. بعد فحص وتركيب ملحق شغل الأداة الكهربائية على أقصى سرعة بلا تحميل لمدة دقيقة واحدة. سوف تنكسر الملحقات التالفة في المعتاد أثناء فترة الاختبار هذه.
- h. لا تسمح لاعتيادك على استخدام الأدوات بشكل متكرر أن يبعث داخلك اطمئناناً قد يدفعك إلى تجاهل مبادئ السلامة المتعلقة باستخدام الأدوات. فأني تصرف طائش يمكن أن يتسبب في وقوع إصابات خطيرة في لمح البصر.
4. استخدام الأداة الكهربائية والعناية بها
- a. لا تستخدم الأداة الكهربائية في غير ما هي مخصصة له. استخدم الأداة الكهربائية المناسبة لاستعمالك. حيث ستقوم الأداة الكهربائية المناسبة بأداء العمل بشكل أفضل وأكثر أماناً وفقاً للمعدل التي صُممت لأجله.
- b. لا تستخدم الأداة الكهربائية إذا لم يقم المفتاح بالتشغيل والإيقاف. أي أداة كهربائية لا يمكن التحكم فيها باستخدام مفتاح التشغيل تكون خطرة ويجب إصلاحها.
- c. أفضل قابس الأداة الكهربائية عن مصدر الكهرباء و/أو علبة البطارية قبل إجراء أية تعديلات، أو تغيير أية ملحقات، أو تخزين الأدوات الكهربائية. تعمل إجراءات السلامة الوقائية هذه على الحد من خطر بدء تشغيل الأداة الكهربائية بدون قصد.
- d. خزّن الأدوات الكهربائية غير المستخدمة بعيداً عن متناول الأطفال، ولا تسمح للأشخاص غير المدربين على استخدام الأداة الكهربائية أو الذين لا يعلمون هذه التعليمات بتشغيلها. حيث تُشكل الأدوات الكهربائية خطراً كبيراً في أيدي الأشخاص غير المدربين.
- e. احرص على صيانة الأدوات الكهربائية. تحقق من عدم وجود أي مhadaة خاطئة أو عائق في الأجزاء المتحركة، أو كسر في الأجزاء، وأية حالة أخرى يمكن أن تؤثر على تشغيل الأدوات الكهربائية. فإذا كانت الأداة الكهربائية تالفة، يجب إصلاحها قبل الاستعمال. تقع عديد من الحوادث جراء عدم صيانة الأدوات الكهربائية بشكل جيد.
- f. احرص على أن تظل أدوات القطع حادة ونظيفة. تساعد الصيانة المناسبة لأدوات القطع ذات الحواف القاطعة الحادة على جعلها أقل عرضة للالتصاق وأكثر سهولة في التحكم بها.
- g. استخدم الأداة الكهربائية والملحقات ولقم الأداة وما إلى ذلك بما يتوافق مع هذه التعليمات، مع الوضع في الاعتبار ظروف العمل والعمل المراد تنفيذه. حيث إن استخدام الأداة الكهربائية في تنفيذ مهام غير مخصصة لها يمكن أن يتسبب في التعرض لمواقف خطيرة.
- h. حافظ على جفاف المقابض والأسطح القابضة ونظافتها وخلوها من الزيت والشحم. فالمقابض والأسطح القابضة المنزلة لا تسمح بالتعامل مع الأداة والتحكم فيها بأمان في المواقف غير المتوقعة.



## الغرض من الاستخدام

صُممت مجلخة الزاوية BLACK+DECKER لجلح وقطع المعادن والأبنية الحجرية باستخدام النوع المناسب من قرص القطع أو الجلع. تصبح هذه الأداة مناسبة لاستخدام المستهلكين فقط عند تزويدها بالوقاي المناسب.

## تعليمات السلامة

تحذيرات عامة متعلقة بسلامة الأداة الكهربائية



**تحذير! اقرأ كل تحذيرات الأمان وكل التعليمات.** أي قصور في اتباع التحذيرات والتعليمات المبينة بالأسفل يمكن أن يؤدي إلى حدوث صدمة كهربائية و/أو نشوب حريق و/أو إصابات بالغة.

## احتفظ بكل التحذيرات والتعليمات كمرجع في المستقبل.

يشير مصطلح "الأداة الكهربائية" الوارد في كل التحذيرات المدرجة أدناه إلى الأداة الكهربائية المُشغلة عن طريق التيار الكهربائي (بكابِل) أو بطارية (بدون كابِل).

## 1. سلامة منطقة العمل

- حافظ على نظافة وإضاءة منطقة العمل جيداً. فالمناطق غير المرتبة أو المظلمة عرضة لوقوع حوادث.
- لا تشغل الأدوات الكهربائية في أجواء قابلة للانفجار، مثل وجود غبار أو غازات أو سوائل قابلة للاشتعال. تطلق الأدوات الكهربائية شرراً يمكن أن يشعل الغبار أو الأبخرة.
- احرص على إبعاد الأطفال والأشخاص الموجودين في منطقة العمل عند تشغيل الأداة الكهربائية. فمن الممكن أن تجعلك المشتتات تفقد القدرة على التحكم.

## 2. السلامة من مخاطر الصدمات الكهربائية

- يلزم توافق قوابس الأداة الكهربائية مع مخرج التيار. يُحظر تعديل القابس بأي طريقة. كذلك لا تستخدم أي قوابس مهايئة مع الأدوات الكهربائية المتصلة بالأرض (المورضة). حيث إن عدم تعديل القابس واستخدام مخارج تيار مناسبة يحد من مخاطر الصدمات الكهربائية.
- تجنب ملامسة جسم الأداة مع أسطح موزعة أو أرضية، مثل المواسير والمدافئ والأفران والمبردات. يزداد خطر التعرض لصدمة كهربائية إذا كان جسمك موصولاً بالأرض أو في وضع تأريض.

- لا تعرض الأدوات الكهربائية للمطر أو لظروف رطبة. سوف يؤدي تسرب الماء إلى داخل الأداة الكهربائية إلى زيادة مخاطر التعرض للصدمة الكهربائية.

- تتعامل مع السلك بطريقة خاطئة. لا تستخدم السلك مطلقاً

في حمل الأداة الكهربائية أو سحبها أو فصلها من المقبس. أبقِ السلك بعيداً عن الحرارة أو الزيت أو الحواف الحادة أو الأجزاء المتحركة. تزيد الأسلاك التالفة أو المتشابكة من مخاطر التعرض للصدمة الكهربائية.

e. عند تشغيل الأداة الكهربائية في الخارج، استخدم سلك إطالة مناسباً للاستخدام الخارجي، حيث إن استخدام سلك مناسب لأغراض الاستخدام الخارجي يقلل من مخاطر التعرض للصدمة الكهربائية.

f. إذا لم يكن هناك مفر من تشغيل الأداة الكهربائية في منطقة رطبة، فاستخدم شبكة تغذية محمية بقاطع الدائرة المتبقية (RCD). وذلك لأن استخدام قاطع الدائرة المتبقية يحد من مخاطر التعرض للصدمة الكهربائية.

## 3. السلامة الشخصية

a. كن متيقظاً وراقب ما تفعل واستخدم حسك العام عند تشغيل الأداة الكهربائية. لا تستخدم الأداة الكهربائية عندما تكون مجهداً أو تحت تأثير المخدرات أو الكحوليات أو الأدوية. يمكن أن يؤدي عدم الانتباه للحظة أثناء تشغيل الأداة الكهربائية إلى وقوع إصابات جسيمة بالغة.

b. استخدم معدات الحماية الشخصية. احرص دائماً على ارتداء واقي العينين. سوف تساعد معدات الحماية -مثل قناع الغبار أو أذنية السلامة المقاومة للانزلاق أو الخوذة الصلبة أو واقي الأذن- المستخدمة في ظروف مناسبة على الحد من التعرض للإصابات الجسدية.

c. تجنب بدء العمل بدون قصد. تحقق من أن المفتاح في وضع الإيقاف قبل التوصيل بمصدر الكهرباء و/أو علبه البطارية أو قبل النقاط أو حمل الأداة. إن حمل الأدوات الكهربائية وأصبعك على مفتاح التشغيل أو توصيل الأدوات الكهربائية بالتيار ومفتاح التشغيل الخاص بها في وضع العمل قد يتسبب في وقوع حوادث.

d. تخلص من أي مفاتيح ضبط أو ربط قبل تشغيل الأداة الكهربائية. يمكن أن يتسبب أي مفتاح أو مفتاح ربط ترك متصلاً بالجزء الدوار في الأداة الكهربائية في وقوع إصابات جسيمة.

e. تجنب المبالغة في مد جسدك. ضع قدميك في وضع مناسب وحافظ على اتزانك طوال الوقت. ويتيح لك ذلك التحكم بصورة أفضل في الأداة الكهربائية في المواقف غير المتوقعة.

f. ارتد زياً مناسباً. لا ترتد الملابس الفضفاضة أو الحلي. لا تعرض شعرك وملابسك وقفازاتك للأجزاء المتحركة. فقد تعلق الملابس الفضفاضة أو الحلي أو الشعر الطويل في الأجزاء المتحركة.

g. إذا كانت الأجهزة معدة للتوصيل بوسائل إزالة وجمع الأتربة، فتأكد من توصيلها واستخدامها بشكل مناسب. استخدام هذه الأجهزة يمكن أن يقلل من المخاطر المتعلقة بالغبار.







## WARRANTY REGISTRATION CARD

YOUR NAME/ VOTRE NOM/ الإسم .....

.....

YOUR ADDRESS/ VOTRE ADRESSE/ العنوان .....

.....

.....

POSTCODE/ CODE POSTAL/ الرمز البريدي .....

.....

DATE OF PURCHASE/ JOUR D'ACHAT/ تاريخ الشراء .....

.....

DEALER'S NAME & ADDRESS/ NOM ET ADRESSE DU VENDEUR/ إسم و عنوان البائع .....

.....

.....



**PRODUCT MODEL NO. G915**