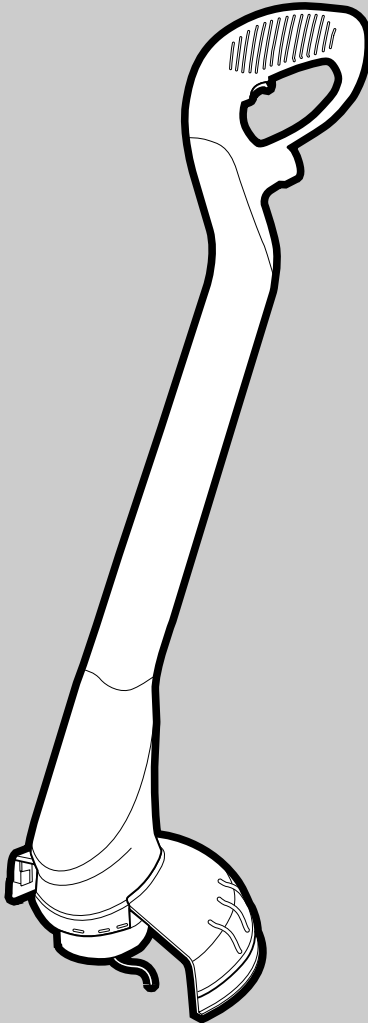
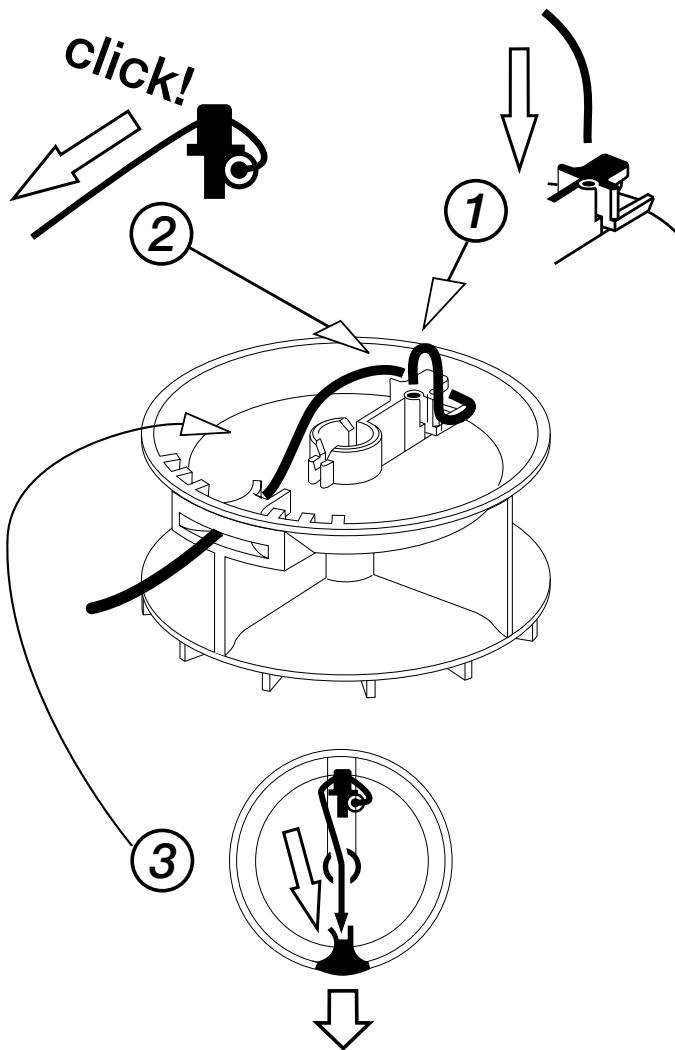


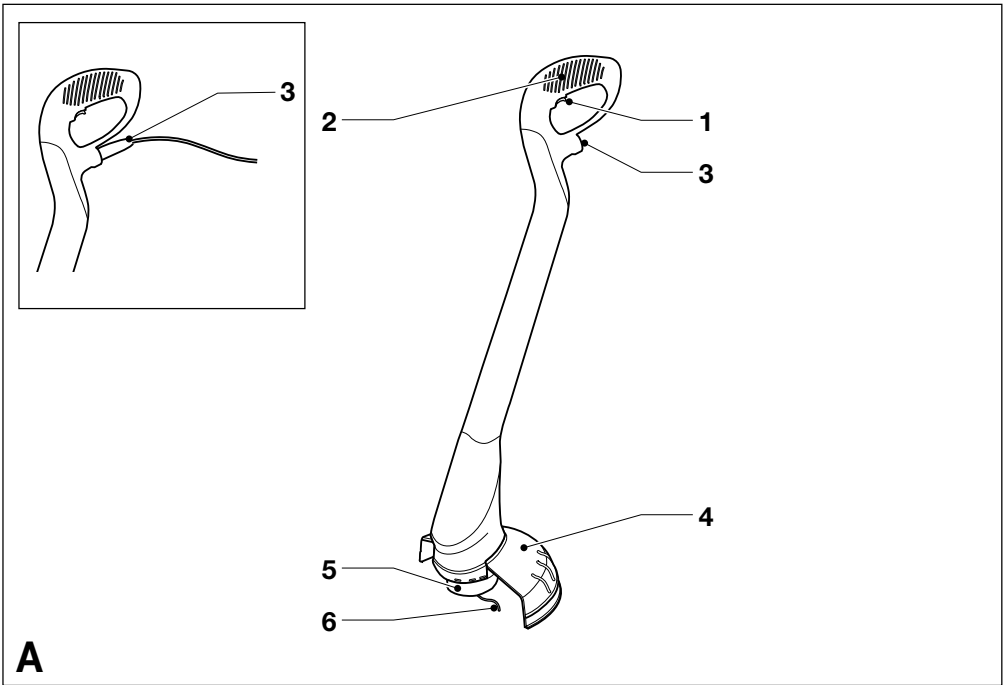


**BLACK &  
DECKER®**

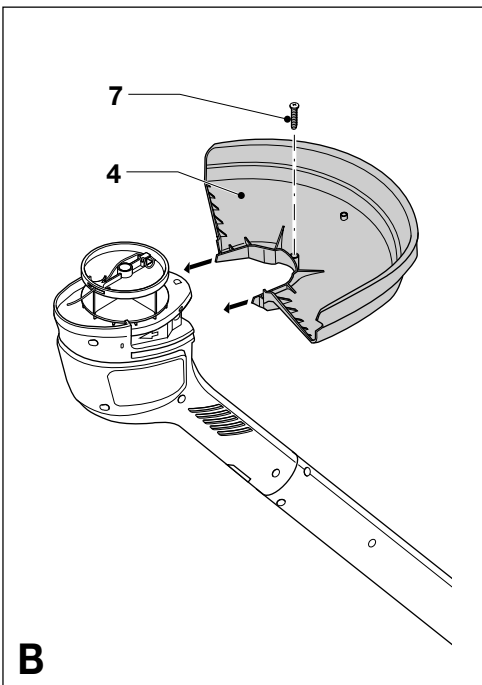


**GL20**

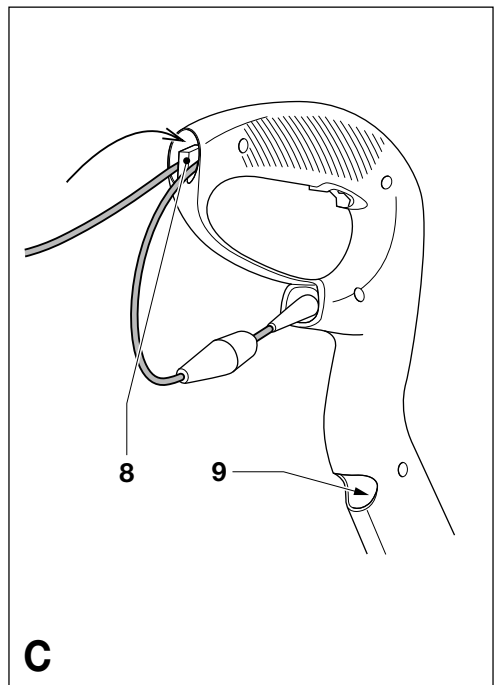




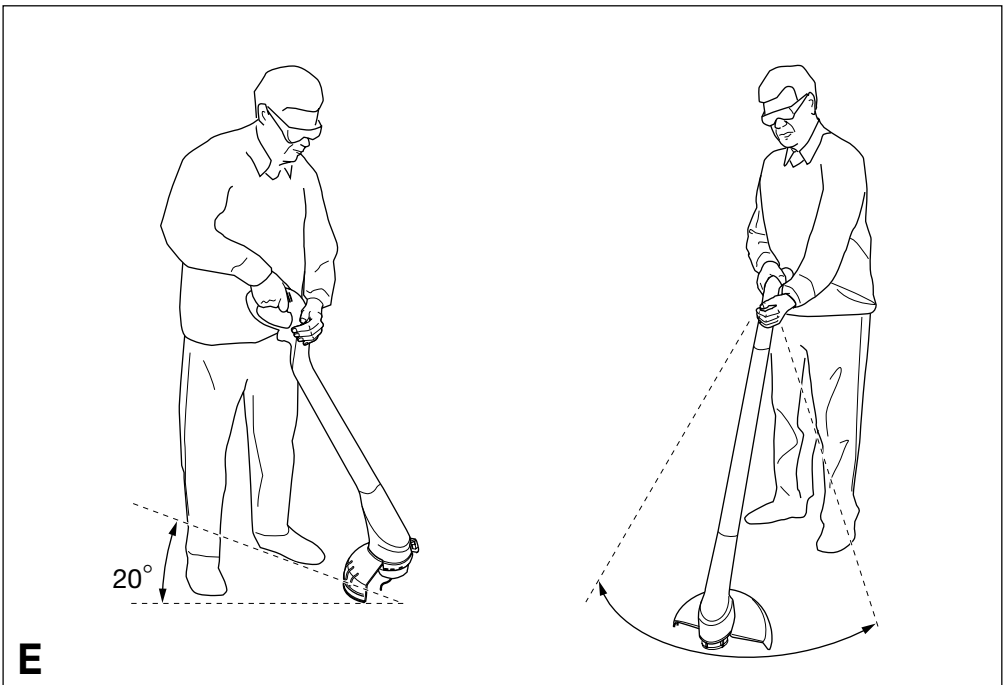
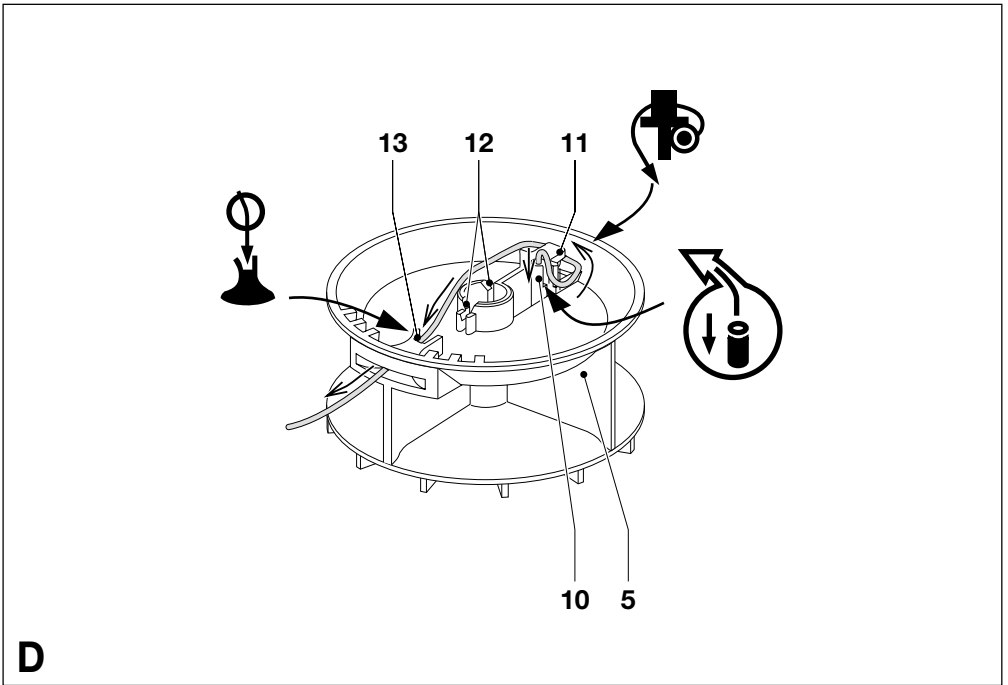
**A**

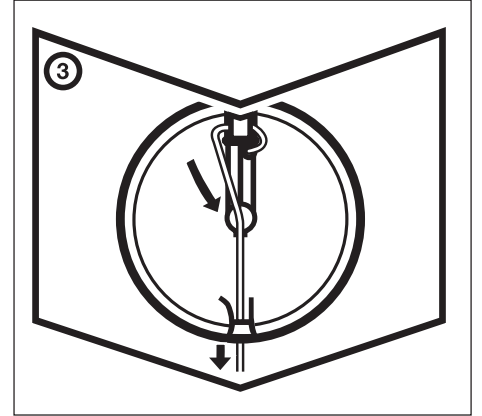
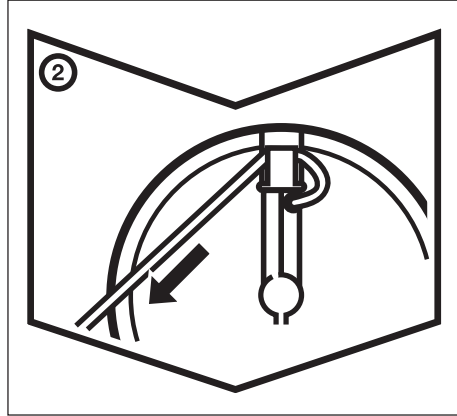
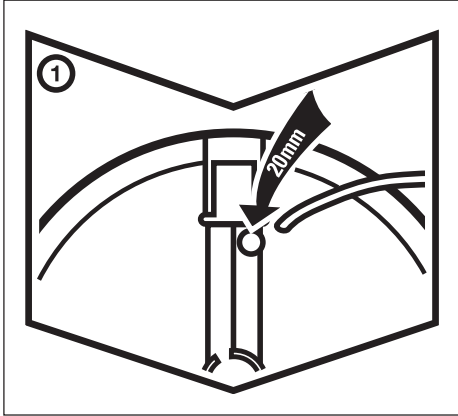


**B**



**C**





### ENGLISH

1. Insert one end of a new piece of cutting line into the hole.
2. Guide the line under the retaining clip and pull the line until it clicks into place.
3. Guide the line into the two slots as shown and thread the line through the exit hole.

### NEDERLANDS

1. Steek een uiteinde van een nieuw stuk snijdraad in het gat.
2. Voer de snijdraad onder de borgclip en trek totdat de draad vastklikt.
3. Voor de snijdraad zoals afgebeeld in de twee gleuven en steek de draad door de opening.

### NORSK

1. Før enden av en ny trimmertråd inn i hullet.
2. Før tråden under holderklemmen, og trekk tråden ut til den klikker på plass.
3. Før tråden inn i de to sporene som vist, og trå den gjennom utmatingshullet.

### DEUTSCH

1. Stecken Sie das eine Ende des neuen Schneidfadens in die Bohrung.
2. Führen Sie den Faden unter den Haken und ziehen Sie am Faden, bis er einrastet.
3. Führen Sie den Faden wie abgebildet in die beiden Nuten und stecken Sie den Faden durch die Öffnung.

### ESPAÑOL

1. Introduzca un extremo del hilo de corte en el agujero.
2. Guíe el hilo por debajo del clip de retención y tire del hilo hasta que se coloque en posición con un clic.
3. Guíe el hilo hacia el interior de las dos ranuras tal y como se muestra y páselo por el orificio de salida.

### DANSK

1. Indsæt den ene ende af et nyt stykke trimmertråd i hullet.
2. Før tråden under holdeclipsen og træk i tråden, til den klikker på plads.
3. Før tråden ind i de to riller som vist, og put den gennem udgangshullet.

### FRANÇAIS

1. Insérez un des extrémités d'un nouveau morceau de fil de coupe dans le trou.
2. Faites glisser le fil sous le clip de blocage et tirez-le jusqu'à ce qu'il se mette en place.
3. Faites glisser le fil dans les deux encoches comme indiqué et passez-le dans l'orifice de sortie.

### PORTUGUÊS

1. Insira no orifício uma das extremidades do novo fio de nylon.
2. Guie o fio por baixo do grampo retentor e puxe-o até encaixar no lugar.
3. Coloque o fio nas duas ranhuras conforme o indicado e passe-o pelo orifício de saída.

### SUOMI

1. Aseta uuden leikkuulangan palan toinen pää reikään.
2. Vie lanka kiinnityspidikkeen alta ja vedä lankaa, kunnes se napsahtaa paikalleen.
3. Aseta lanka kahteen uraan kuvan mukaisesti ja vie se ulostuloreiän läpi.

### ITALIANO

1. Inserire l'estremità di un nuovo pezzo di filo di taglio nel foro.
2. Guidare il filo sotto il fermo e tirarlo fino a che non si inserisce a scatto.
3. Guidare il filo nelle due fessure, come illustrato, e farlo passare attraverso il foro di uscita.

### SVENSKA

1. Stick in ena ändan av en ny bit trimtråd i hålet.
2. För in tråden under fasthållarklämman och dra i den tills den fastnar med ett knäpp.
3. För in tråden i de två skårorna enligt bilden och trä ut den genom hålet.

### ΕΛΛΗΝΙΚΑ

1. Τοποθετήστε το ένα άκρο ενός νέου κομματιού νήματος κοπής στην τρύπα.
2. Οδηγήστε το νήμα κάτω από το κλιπ συγκράτησης και τραβήξτε τη γραμμή μέχρι να κουμπώσει στη θέση της.
3. Οδηγήστε το νήμα μέσα στις δύο εγκοπές όπως εικονίζεται, και περάστε το νήμα μέσα από την οπή εξόδου.

# STRIMMER GL20

## CONGRATULATIONS!

You have chosen a Black & Decker tool. Our aim is to provide quality tools at an affordable price. We hope that you will enjoy using this tool for many years.

## EC DECLARATION OF CONFORMITY



GL20 family

Black & Decker declares that these products conform to: 98/37/EC, 89/336/EEC, 73/23/EEC, EN 60335, EN 55014, EN 61000, 2000/14/EC, Lawn trimmer,  $L \leq 50$  cm

Annex VIII, No. 00086

B.S.I., HP2 4SQ, United Kingdom

Level of sound pressure, measured according to 2000/14/EC:

			GL20 family
$L_{pA}$	(sound pressure)	dB(A)	81
$L_{WA}$	(acoustic power)	dB(A)	94
$L_{WA}$	(guaranteed)	dB(A)	96



Always wear ear protection if the sound pressure exceeds 85 dB(A).

Hand/arm weighted vibration value according to 98/37/EC:

		GL20 family
		$< 2.5$ m/s <sup>2</sup>

Brian Cooke

Director of Engineering

Spennymoor, County Durham DL16 6JG,

United Kingdom

1-12-2001

## INTENDED USE

Your Black & Decker strimmer has been designed for trimming lawn edges and to cut grass in confined spaces. This tool is intended for consumer use only.

## SAFETY INSTRUCTIONS

### Warning symbols

The following symbols are used in this manual:



Denotes risk of personal injury, loss of life or damage to the tool in case of non-observance of the instructions in this manual.



Denotes risk of electric shock.



Read the manual prior to operation.

### Know your appliance



- ◆ **Warning!** When using mains-powered appliances, basic safety precautions, including the following, should always be followed to reduce the risk of fire, electric shock and personal injury.
- ◆ Read all of this manual carefully before operating the appliance.
- ◆ Before operating the appliance, make sure that you know how to switch it off in an emergency.
- ◆ The intended use is described in this manual. The use of any accessory or attachment or performance of any operation with this appliance other than those recommended in this instruction manual may present a risk of personal injury.
- ◆ Retain this manual for future reference.

## Work area

- ◆ Do not expose the appliance to rain. Do not use the appliance in damp or wet conditions.
- ◆ Only use the appliance in daylight or good artificial light.

## Personal protection

- ◆ Wear stout shoes or boots to protect your feet. Do not operate the appliance wearing open-toed sandals or when barefoot.
- ◆ Wear long trousers to protect your legs.

## Using your appliance

- ◆ Be sure that the appliance is switched off when plugging in.
- ◆ Stay alert. Watch what you are doing. Use common sense.
- ◆ Do not operate the appliance when you are tired.
- ◆ If the appliance begins to vibrate abnormally, switch it off and remove the plug from the socket. Allow rotating parts to stop and inspect the appliance for damage and loose parts.
- ◆ Never pull the cord to disconnect the plug from the socket. Keep the cord away from heat, oil and sharp edges.
- ◆ If the mains cable is damaged during use, switch the appliance off and disconnect the plug from the mains immediately. **Do not touch the mains cable before disconnecting from the mains.**

## Safety of others

- ◆ Do not allow children or any person unfamiliar with these instructions to operate the appliance.
- ◆ Do not allow children, visitors or animals to come near the work area or to touch the appliance or mains cable.
- ◆ Remember that the operator may be held responsible for accidents or hazards occurring to other people or their property.

## After use

- ◆ Switch off, remove the plug from the socket and ensure that moving parts have stopped rotating before leaving the appliance unattended and before changing, cleaning or inspecting any parts of the appliance.

- ◆ When not in use, the appliance should be stored in a dry place. Children should not have access to stored appliances.

## Inspection and repairs

- ◆ Before use, check the appliance for damaged or defective parts. Check for misalignment and seizure of moving parts, breakage of parts, damage to guards and switches and any other conditions that may affect its operation.
- ◆ Do not use the appliance if any part is damaged or defective. Do not use the appliance if the switch does not turn it on and off.
- ◆ Never use the appliance when any guard or enclosure is damaged or not in place.
- ◆ Ensure that the appliance will operate properly and perform its intended function.
- ◆ Have any damaged or defective parts repaired or replaced by an authorised repair agent.
- ◆ Before use, check the mains cable for signs of damage, ageing and wear.
- ◆ Do not use the appliance if the mains cable is damaged or defective.
- ◆ If the mains cable is damaged or defective it must be repaired by an authorised repair agent to avoid a hazard.
- ◆ Never attempt to remove or replace any parts other than those specified in this manual.

## Additional safety instructions for grass trimmers

The following warning symbols are found on the appliance:



Wear safety glasses or goggles when operating this tool.



The cutting line will continue to run for a few seconds after switching the appliance off. Never attempt to force the line to come to a standstill.



Keep people and animals at least 6 m away from the cutting area.



Do not expose the appliance to rain or high humidity.



Switch off, remove the plug from the socket and ensure that moving parts have stopped rotating before leaving the appliance unattended and before changing, cleaning or inspecting any parts of the appliance.

- ◆ Before using the appliance, check that your cutting path is free from sticks, stones, wire and any other objects.
- ◆ Only use the appliance in the correct position, with the cutting line near the ground, as shown in the illustrations. Never switch the appliance on in any other position.
- ◆ Switch on the appliance only when hands and feet are away from the cutting line.
- ◆ Avoid body contact with the cutting line while the appliance is running.
- ◆ Do not work on steep slopes. Be sure of your footing. Be aware that freshly cut grass is damp and slippery.
- ◆ Take care when trimming near borders and gravel paths or roads, as stones and soil may be moved by the cutting line.
- ◆ Do not put the appliance down until the cutting line has come to a complete standstill.
- ◆ Use only the appropriate type of Black & Decker cutting line. Never use metal cutting line or fishing line.
- ◆ After extending new cutting line, always return the appliance to its normal operating position before switching on.
- ◆ Take care to keep the mains cable away from the cutting line. Always be aware of the position of the cable.

### ELECTRICAL SAFETY

The appliance has been designed for one voltage only. Always check that the power supply corresponds to the voltage on the rating plate.



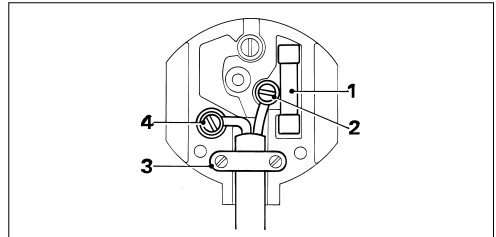
This appliance is designed for use on AC (mains) power supplies only. Do not attempt to use on any other supply.



This appliance is double insulated in accordance with EN 60335; therefore no earth wire is required.

- ◆ Prevent body contact with earthed or grounded surfaces (e.g. metal railings, lamp-posts etc.).
- ◆ Electric safety can be further improved by using a high-sensitivity (30 mA / 30 mS) residual current device (RCD).

### Mains plug replacement (U.K. & Ireland only)



- ◆ Should your mains plug need replacing and you are competent to do this, proceed as instructed below. If you are in doubt, contact an authorised repair agent or a qualified electrician.
- ◆ Disconnect the plug from the supply and remove the fuse from the plug.
- ◆ Cut off the plug and dispose of it safely; a plug with bared copper conductors is dangerous if engaged in a live socket outlet.
- ◆ Only fit 13 Amperes BS1363A approved plugs fitted with the correctly rated fuse (1). Use 5 Amperes fuses.
- ◆ The cable wire colours, or a letter, will be marked at the connection points of most good quality plugs. Attach the wires to their respective points in the plug (see above). Brown is for Live (L) (2), blue is for Neutral (N) (4).
- ◆ Before replacing the top cover of the mains plug ensure that the cable restraint (3) is holding the outer sheath of the cable firmly and that the leads are correctly fixed at the terminal screws.
- ◆ If the plug has a fuse cover, make sure that the fuse cover is fitted. Do not use the plug if the fuse cover is missing or damaged.





Never use a light socket.



Never use the tool unless the guard is properly fitted.

## Using an extension cable

Always use an approved extension cable suitable for the power input of this appliance (see rating plate). The extension cable must be suitable for outdoor use.

- ◆ Before use, inspect the cable for signs of damage, wear and ageing. Replace the extension cable if damaged or defective.
- ◆ When using a cable reel, always unwind the cable completely.
- ◆ Take care to keep the cable away from the cutting line. Always be aware of the position of the cable.

## CARTON CONTENTS

The carton contains:

- 1 Grass trimmer
- 1 Guard with mounting screw
- 1 Pack with pieces of cutting line
- 1 Instruction manual

- ◆ Carefully unpack all parts.

## OVERVIEW (fig. A)

1. On/off switch
2. Handle
3. Power inlet (not for UK)
3. Mains cable (UK)
4. Guard
5. Line retainer
6. Cutting line

## ASSEMBLY



Before assembly, make sure that the tool is switched off and unplugged.



The extension cable must be suitable for outdoor use.

## Fitting the guard (fig. B)

- ◆ Unplug the tool.
- ◆ Remove the screw (7) from the guard (4).
- ◆ Place the guard (4) onto the tool as shown.
- ◆ Firmly press the guard until it snaps into place.
- ◆ Secure the guard with the screw (7).



Let the tool work at its own pace. Do not overload.

## Switching on and off (fig. A)

- ◆ To switch the tool on, push the on/off switch (1).

## Fitting a new piece of cutting line (fig. C & D)

Replacement packs containing pieces of pre-cut cutting line are available from your Black & Decker dealer (cat. no. A5995). Alternatively, you can purchase a pack containing 25 or 40 m of cutting line (A6170/A6171) and cut the line into pieces of 177 mm each. The tool is equipped with a storage compartment (9) for pieces of cutting line (fig. C).

- ◆ Unplug the tool.
- ◆ Remove any remaining cutting line from the line retainer.
- ◆ Remove any dirt and grass from the line retainer.
  1. Insert one end of a new piece of cutting line into the hole (10).
  2. Guide the line under the retaining clip (11) and pull the line until it clicks into place.
  3. Guide the line into the two slots (12) as shown and thread the line through the exit hole (13).
- ◆ Make sure the line is securely fitted.



Only use 1.5 mm diameter Black & Decker cutting line.

## Connecting the tool to the mains (fig. A & C)

Unless the tool is fitted with a mains cable, you will need to connect an extension cable to the power inlet (3).

- ◆ Connect the female socket of a suitable extension cable to the power inlet (3).
- ◆ Loop the cable through the cable restraint (8) as shown to prevent the extension cable from becoming detached during use.
- ◆ Insert the mains plug into a mains outlet.

- ◆ To switch the tool off, release the the on/off switch.



Never attempt to lock a switch in the on position.

### Hints for optimum use

- ◆ Hold the tool as shown in fig. E.
- ◆ Gently swing the trimmer from side to side as shown in fig. E.
- ◆ When cutting long grass, work in stages from the top.
- ◆ Keep the tool away from hard objects and delicate plants.
- ◆ If the tool starts running slowly, reduce the load.
- ◆ In order to achieve optimum cutting results, only cut dry grass.
- ◆ Replace the cutting line when worn.

### MAINTENANCE

Your Black & Decker tool has been designed to operate over a long period of time with a minimum of maintenance. Continuous satisfactory operation depends upon proper tool care and regular cleaning.



- ◆ Before performing any maintenance, switch off and unplug the tool.
- ◆ Do not use any abrasive or solvent-based cleaner.
- ◆ Regularly clean the ventilation slots in your tool using a soft brush or dry cloth.
- ◆ Regularly clean the cutting line and line retainer using a soft brush or dry cloth.
- ◆ Regularly use a blunt scraper to remove grass and dirt from the underneath of the guard.
- ◆ Regularly check the cutting line for wear.

### TROUBLESHOOTING

If your tool seems not to operate properly, follow the instructions below. If this does not solve the problem, please contact your local Black & Decker repair agent.



Before proceeding, unplug the tool.

### Tool does not start

- ◆ Check that the power cables are properly connected.
- ◆ Check the mains fuses.

### Tool vibrates strongly

- ◆ Carefully clean the line retainer.
- ◆ Check that the line retainer is firmly attached and that it is not damaged. Have it repaired or replaced if necessary.
- ◆ Check that the cutting line is present and properly fitted.
- ◆ Check the cutting line for damage. Replace if necessary.

### PROTECTING THE ENVIRONMENT



Black & Decker provides a facility for recycling Black & Decker products once they have reached the end of their working life. This service is provided free of charge. To take advantage of this service please return your product to any authorised repair agent who will collect them on our behalf.

You can check the location of your nearest authorised repair agent by contacting your local Black & Decker office at the address indicated in this manual. Alternatively, a list of authorised Black & Decker repair agents and full details of our after-sales service and contacts are available on the Internet at: **[www.2helpU.com](http://www.2helpU.com)**.

### GUARANTEE

Black & Decker is confident of the quality of its products and offers an outstanding guarantee. This guarantee statement is in addition to and in no way prejudices your statutory rights. The guarantee is valid within the territories of the Member States of the European Union and the European Free Trade Area.

If a Black & Decker product becomes defective due to faulty materials, workmanship or lack of conformity, within 24 months from the date of purchase, Black & Decker guarantees to replace defective parts, repair products subjected to fair wear and tear or replace such products to ensure minimum inconvenience to the customer unless:

- ◆ The product has been used for trade, professional or hire purposes;
- ◆ The product has been subjected to misuse or neglect;
- ◆ The product has sustained damage through foreign objects, substances or accidents;
- ◆ Repairs have been attempted by other persons than authorised repair agents or Black & Decker service staff.

To claim on the guarantee, you will need to submit proof of purchase to the seller or an authorised repair agent. You can check the location of your nearest authorised repair agent by contacting your local Black & Decker office at the address indicated in this manual. Alternatively, a list of authorised Black & Decker repair agents and full details of our after-sales service and contacts are available on the Internet at:

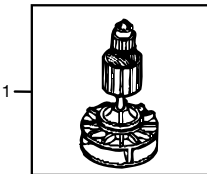
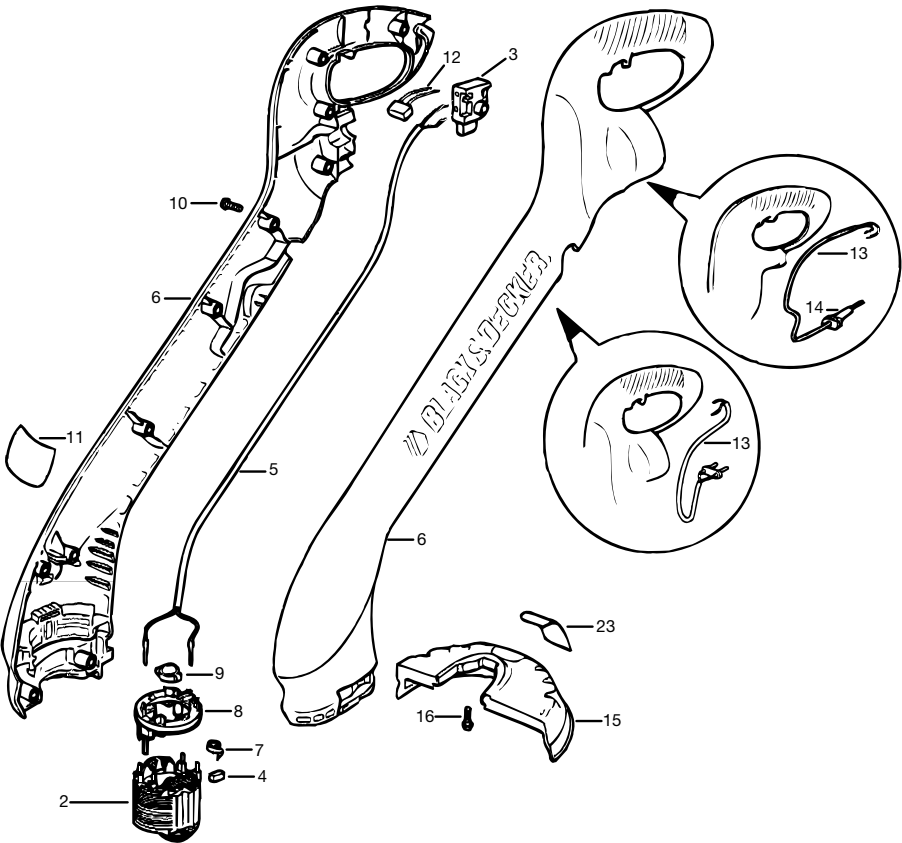
**[www.2helpU.com](http://www.2helpU.com)**.

## OTHER OUTDOOR TOOLS

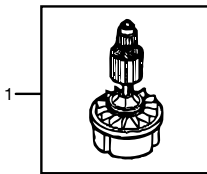
Black & Decker has a full range of outdoor power tools that make life in the garden easy. If you would like further information on the following products, please contact our Service and Information Centre (see the address page towards the end of this manual) or your local Black & Decker retailer.

String trimmers	Chainsaws
Cordless shear	Hedgetrimmers
Lawnmowers	Lawnrakers
Leafbusters	Shredders

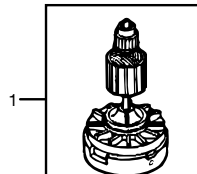
Not all products are available in all countries.



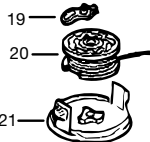
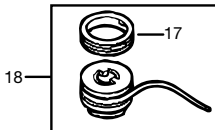
GL20S GL20SC



GL225/225S/225SC/225C



GL425/425S/425SC



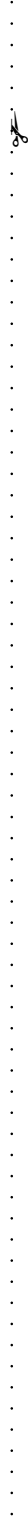




<b>Australia</b>	DeWALT Industrial Power Tool Company 7 Clarice Road Box Hill, Victoria 3128	Tel. 03 9895 9200 Fax 03 9899 7465
<b>New Zealand</b>	Black & Decker 81 Hugo Johnson Drive Penrose, Auckland, New Zealand	Tel. 09 579 7600 Fax 09 579 8200
<b>South Africa</b>	Black & Decker South Africa (Pty) Ltd Physical address: 146 Lechwe Street Corporate park Randjiesfontein, Midrand Postal address: Postnet Suite 107, Private Bag X65 Halfway House 1685	Tel. (011) 653-1400 Fax (011) 653-1499
<b>United Kingdom</b>	Black & Decker 210 Bath Road Slough, Berkshire SL1 3YD	Tel. 01753 511234 Fax 01753 551155 Helpline 01753 574277

Dealer address

Date of purchase



Name: .....

Was this tool bought as a replacement?

Address: .....

Yes  
 No

Town: .....

Postal code: .....

Dealer address: .....  
.....  
.....

Was this tool a gift?

Yes  
 No

Data protection act:  
Tick the box if you prefer not to receive further information.

Was this tool your first purchase?

Yes  
 No



## GUARANTEE CARD

.....

**Please complete this section immediately after the purchase of your tool and send it to Black & Decker in your country. If you live in Australia or New Zealand, please register by using the alternative guarantee card supplied.**