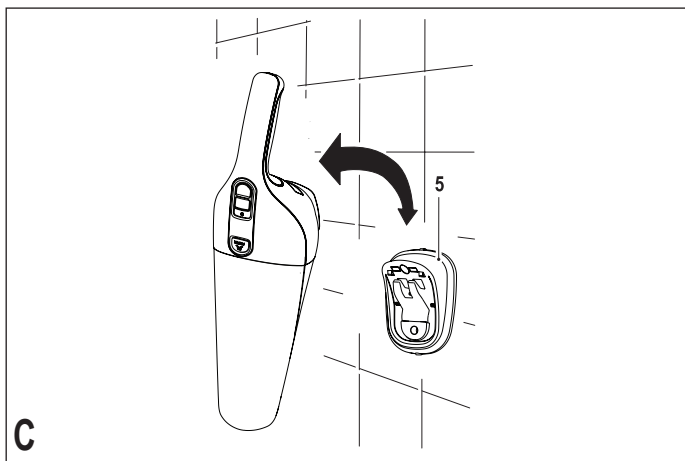
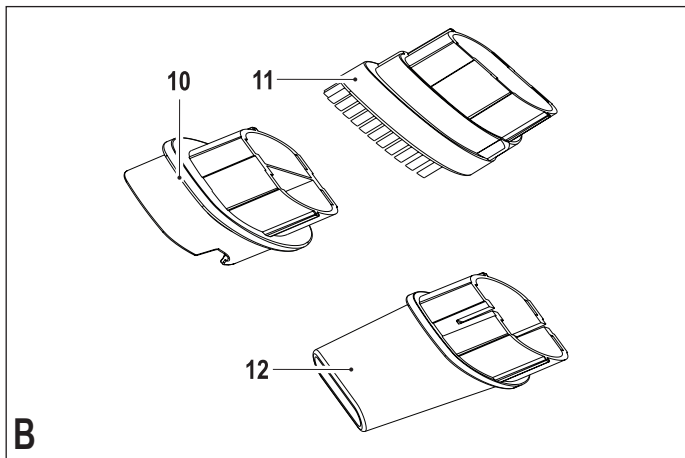
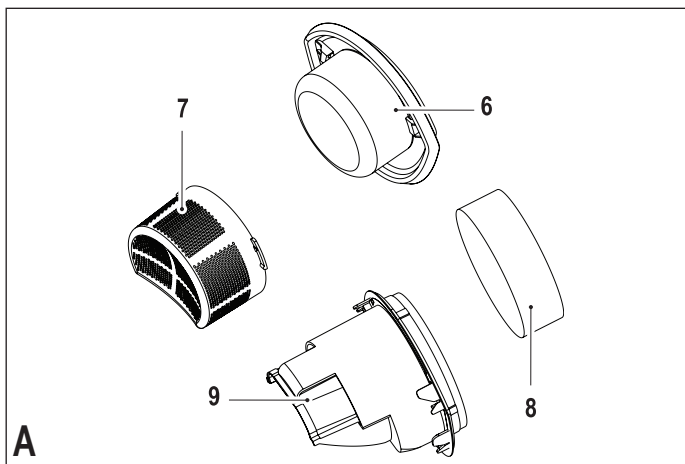
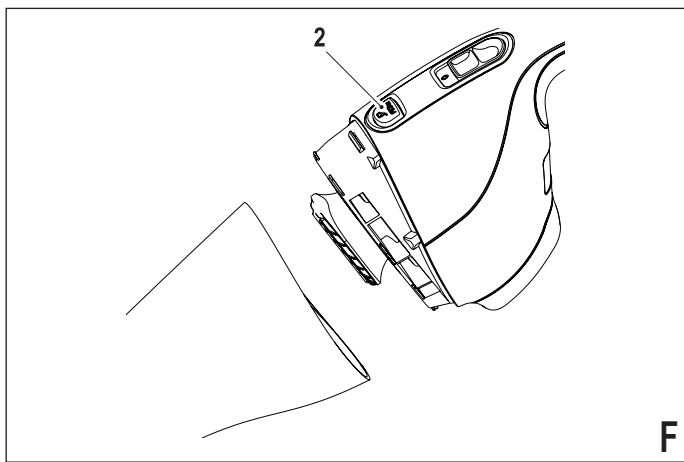
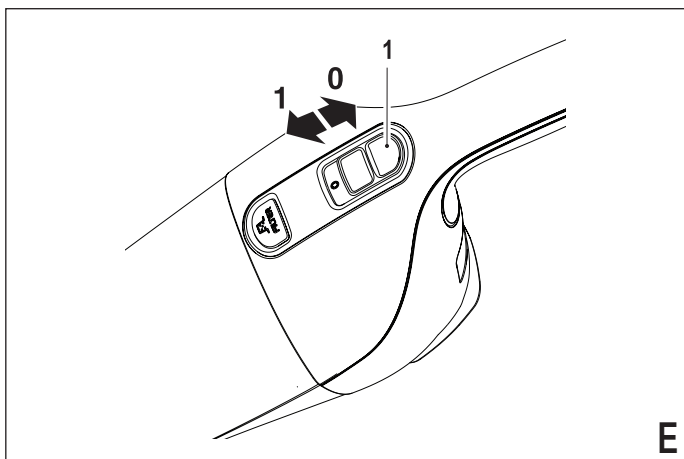
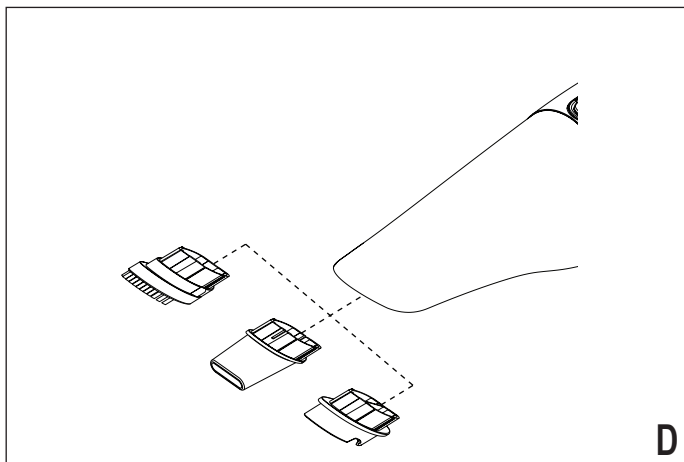
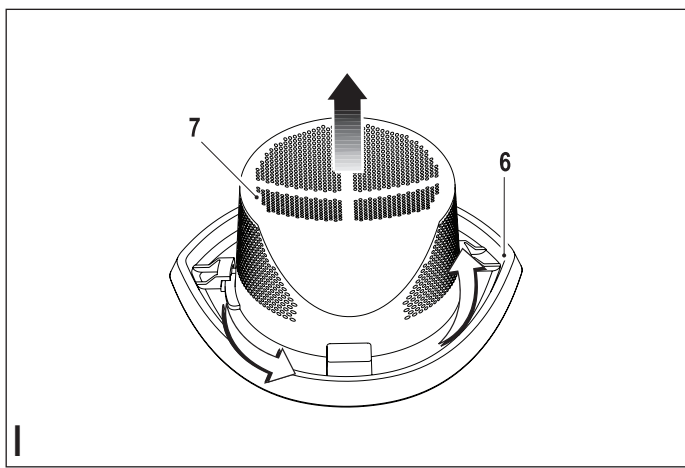
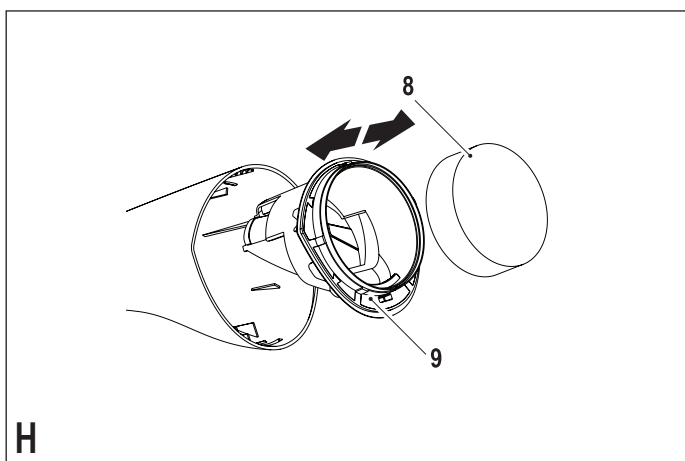
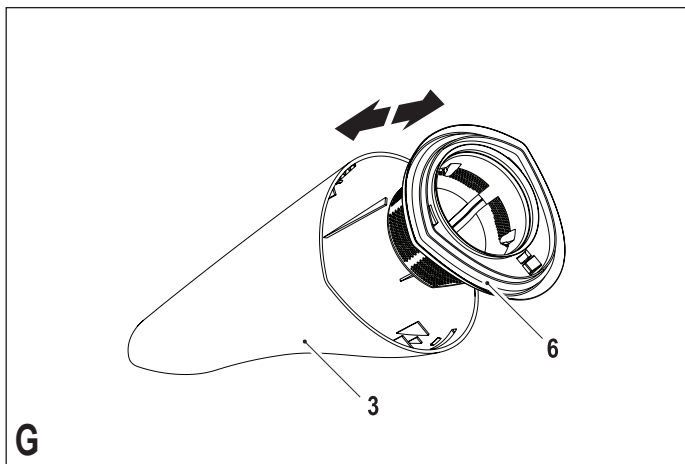


- NV2410N
- NV2420N
- NV3610N
- NV3620N
- NV4820N
- NV4820CN
- NV7210N
- NW3620N
- NW4820N







Intended use

Your Black & Decker Dustbuster® handheld vacuum cleaner has been designed for light dry vacuum cleaning purposes (NV2410N, NV2420N, NV3610N, NV3620N, NV4820N, NV4820CN & NV7210N). This appliance is intended for household use only.

Your Black & Decker Dustbuster® handheld vacuum cleaner has been designed for light wet and dry vacuum cleaning purposes (NW3620N & NW4820N). This appliance is intended for household use only.

Safety instructions



Warning! Read all safety warnings and all instructions. Failure to follow the warnings and instructions listed below may result in electric shock, fire and/or serious injury.



Warning! When using battery-powered appliances, basic safety precautions, including the following, should always be followed to reduce the risk of fire, leaking batteries, personal injury and material damage.

- ◆ Read all of this manual carefully before using the appliance.
- ◆ The intended use is described in this manual. The use of any accessory or attachment or the performance of any operation with this appliance other than those recommended in this instruction manual may present a risk of personal injury.
- ◆ Retain this manual for future reference.

Using your appliance

- ◆ Do not use the appliance to pick up liquids or any materials that could catch fire.
- ◆ Do not use the appliance near water.
- ◆ Do not immerse the appliance in water.
- ◆ Never pull the charger lead to disconnect the charger from the socket. Keep the charger lead away from heat, oil and sharp edges.

- ◆ This appliance can be used by children aged from 8 years and above and persons with reduced physical, sensory or mental capabilities or lack of experience and knowledge if they have been given supervision or instruction concerning use of the appliance in a safe way and understand the hazards involved. Children shall not play with the appliance. Cleaning and user maintenance shall not be made by children without supervision.

Inspection and repairs

- ◆ Before use, check the appliance for damaged or defective parts. Check for breakage of parts, damage to switches and any other conditions that may affect its operation.
- ◆ Do not use the appliance if any part is damaged or defective.
- ◆ Have any damaged or defective parts repaired or replaced by an authorized repair agent.
- ◆ Regularly check the charger lead for damage. Replace the charger if the lead is damaged or defective.
- ◆ Never attempt to remove or replace any parts other than those specified in this manual.

Additional safety instructions

Residual risks.

Additional residual risks may arise when using the tool which may not be included in the enclosed safety warnings. These risks can arise from misuse, prolonged use etc.

Even with the application of the relevant safety regulations and the implementation of safety devices, certain residual risks can not be avoided. These include:

- ◆ Injuries caused by touching any moving parts.
- ◆ Injuries caused by touching any hot parts.
- ◆ Injuries caused when changing any parts or accessories.

- ◆ Injuries caused by prolonged use of the appliance.
When using any appliance for prolonged periods ensure you take regular breaks.

Batteries and chargers

Batteries

- ◆ Never attempt to open for any reason.
- ◆ Do not expose the battery to water.
- ◆ Do not expose the battery to heat.
- ◆ Do not store in locations where the temperature may exceed 40°C.
- ◆ Charge only at ambient temperatures between 10°C and 40°C.
- ◆ Charge only using the charger provided with the appliance/tool. Using the wrong charger could result in an electric shock or overheating of the battery.
- ◆ When disposing of batteries, follow the instructions given in the section "Protecting the environment".
- ◆ Do not damage/deform the battery pack either by puncture or impact, as this may create a risk of injury and fire.
- ◆ Do not charge damaged batteries.
- ◆ Under extreme conditions, battery leakage may occur. When you notice liquid on the batteries carefully wipe the liquid off using a cloth. Avoid skin contact.
- ◆ In case of skin or eye contact, follow the instructions below.

Warning! The battery fluid may cause personal injury or damage to property. In case of skin contact, immediately rinse with water. If redness, pain or irritation occurs seek medical attention. In case of eye contact, rinse immediately with clean water and seek medical attention.

Chargers

Your charger has been designed for a specific voltage. Always check that the mains voltage corresponds to the voltage on the rating plate and the information in the technical data table.

Warning! Never attempt to replace the charger unit with a regular mains plug.

- ◆ Use your Black & Decker charger only to charge the battery in the appliance/tool with which it was supplied. Other batteries could burst, causing personal injury and damage.
- ◆ Never attempt to charge nonrechargeable batteries.
- ◆ If the supply cord is damaged, it must be replaced by the manufacturer or an authorised Black & Decker Service Centre in order to avoid a hazard.
- ◆ Do not expose the charger to water.
- ◆ Do not open the charger.
- ◆ Do not probe the charger.
- ◆ The appliance/tool/battery must be placed in a well ventilated area when charging.

Electrical safety

Your charger has been designed for a specific voltage. Always check that the mains voltage corresponds to the voltage on the rating plate. Never attempt to replace the charger unit with a regular mains plug.

Symbols on the charger



Read all of this manual carefully before using the appliance.



This tool is double insulated; therefore no earth wire is required. Always check that the power supply corresponds to the voltage on the rating plate.



Short circuit proof safety isolating transformer. The mains supply is electrically separated from the transformer output.



The charger automatically shuts off if the ambient temperature becomes too high. As a consequence the charger will be inoperable. The charging base must be disconnected from the mains supply and taken to an authorised service centre for repair.



The charging base is intended for indoor use only.

Features

This tool includes some or all of the following features.

1. On/off switch
2. Bowl release button
3. Dust bowl
4. Charger
5. Charging bracket

Fig. A

6. Dry pick up cloth filter (NV2410N, NV2420N, NV3610N, NV3620N, NV4820N, NV4820CN & NV7210N Only)
7. Pre-filter (NV2410N, NV2420N, NV3610N, NV3620N, NV4820N, NV4820CN & NV7210N Only)
8. Wet/Dry foam insert (NW3620N & NW4820N Only)
9. Wet/Dry deflector (NW3620N & NW4820N Only)

Fig. B

10. Squeegee (NW3620N & NW4820N Only)
11. Brush tool (NV2420N, NV3620N, NV4820N & NV4820CN Only)
12. Crevice tool (NV2420N, NV3620N, NV4820N & NV4820CN Only)

Note: The accessories can be stored by fitting them into the front of the appliance. For models that are supplied with both a brush and a crevice tool, first fit the brush into the front of the appliance then fit the crevice tool into the brush for storage.

Installation

Wall Mounting (fig. C)

The product can be attached to a wall to provide a convenient storage and charging point for the appliance.

When fixing to a wall, make sure that the fixing method is suitable for the wall type and is appropriate to the weight of the appliance.

- ◆ Mark the location of the screw holes (within reach of an electrical outlet for charging the vac while it is on the wall bracket).
- ◆ Fix the mounting bracket to the wall using appropriate screws and plugs for the type of wall and weight of the appliance.
- ◆ Hang the appliance on the wall by placing the opening on the base of the vac over the hooks in the wall mount charging bracket.

Assembly

Accessories (fig .B)

These models may be supplied with some of the following accessories:

- ◆ A squeegee tool (10) for wet use on hard surfaces.
- ◆ A brush tool (11) for furniture and stairs.
- ◆ A crevice tool (12) for confined spaces.

Fitting (Fig. D)

- ◆ Insert the appropriate accessory into the front of the appliance. Make sure that the accessory is pushed fully in.

Use

- ◆ Before first use, the battery must be charged for at least 24 hours.
- ◆ Place the appliance on the charging bracket whenever it is not in use.

Warning! Before charging, be sure to empty all liquid contents and dry thoroughly, to avoid damage to your appliance.

Charging the battery (Fig. C)

- ◆ Make sure that the appliance is switched off. The battery will not be charged with the on/off switch in the on position.
- ◆ Place the appliance on the charging bracket (5).
- ◆ Plug in the charger. Switch on at the mains.
- ◆ Leave the appliance to charge for at least 21 hours.

While charging, the charger may become warm. This is normal and does not indicate a problem. The appliance can be left connected to the charger indefinitely.

Warning! Do not charge the battery at ambient temperatures below 10 °C or above 40 °C.

Note: Ensure the appliance is fully seated onto the charging base. If the appliance is not fully seated then the appliance will not charge.

Switching on and off (fig. E)

- ◆ To switch the appliance on, slide the on/off switch (1) forward to position 1.
- ◆ To switch the appliance off, slide the on/off switch (1) back to position 0.

Dry pick up (NV2410N, NV2420N, NV3610N, NV3620N, NV4820N, NV4820CN & NV7210N Only)

- ◆ For everyday spills of dry material.

Wet and dry pick up (NW3620N & NW4820N Only)

- ◆ For everyday spills of dry material, use your appliance without the squeegee accessory.

Warning! Your product is designed for light spills only.

- ◆ This appliance can also be used to pick up everyday liquid spills. Use the squeegee accessory on non-absorbent, hard surfaces. On absorbent surfaces, such as carpet, your appliance will pick up wet spills better without the accessory.
- ◆ For best performance on hard surface wet pickups, insert squeegee into the bowl nozzle opening.
- ◆ For best results when using this accessory, hold the appliance at an angle of 45° and pull it slowly towards you.
- ◆ Do not fill the bowl beyond the end of the intake chute. If there is any liquid in the bowl, do not turn the unit upside down, sideways, point the nozzle upward, or shake the vac excessively.

- ◆ After picking up liquid substances clean the appliance and filter immediately. Mold and mildew may form if the unit is not properly cleaned after wet pickups.
- ◆ Before charging, be sure to empty all liquid contents and dry thoroughly, to avoid damage to your appliance.

Optimising the suction force

In order to keep the suction force optimised, the filters must be cleared regularly during use.

Emptying and cleaning the product.

Removing the dust bowl and filters (fig. F & G).

Warning! The filters are re-usable and should be cleaned regularly.

- ◆ Press the bowl release button (2) and pull the dust bowl (3) straight off.
- ◆ While holding the dust bowl over a bin or sink, pull out the filter to empty the contents of the bowl.
- ◆ To replace the dust bowl, place it back onto the handle until it “clicks” firmly into position.

Warning! Never use the appliance without the filters. Optimum dust collection will only be achieved with clean filters.

Foam insert (fig. H) (NW3620N & NW4820N Only)

- ◆ Place the foam insert (8) into the centre of the wet/dry deflector (9).

Warning! Never use the appliance for wet applications without the water deflector and foam insert fitted.

Pre-filter (fig. I) (NV2410N, NV2420N, NV3610N, NV3620N, NV4820N, NV4820CN & NV7210N Only)

The Filter and pre-filter can be separated to allow better cleaning.

- ◆ Twist the pre-filter (7) in an anti-clockwise direction and lift from the filter (6).

Cleaning the dust bowls and filters

- ◆ The dust bowls and filters can be washed in warm soapy water.
- ◆ Make sure that the filters and the dust bowl are dry before re-fitting.

Replacing the filters

The filters should be replaced every 6 to 9 months and whenever worn or damaged.

Replacement filters are available from your Black & Decker dealer:

For models: NV2410N, NV2420N, NV3610N, NV3620N, NV4820N, NV4820CN & NV7210N use filter part number FLVD10-XJ

For models: NW3620N & NW4820N use filter part number FLWD10-XJ

Maintenance

Your Black & Decker corded/cordless appliance/tool has been designed to operate over a long period of time with a minimum of maintenance. Continuous satisfactory operation depends upon proper tool care and regular cleaning.

Warning! Before performing any maintenance on corded/ cordless power tools:

- ◆ Switch off and unplug the appliance/tool.
- ◆ Or switch off and remove the battery from the appliance/tool if the appliance/tool has a separate battery pack.
- ◆ Or run the battery down completely if it is integral and then switch off.
- ◆ Unplug the charger before cleaning it. Your charger does not require any maintenance apart from regular cleaning.

- ◆ Regularly clean the ventilation slots in your appliance/tool/charger using a soft brush or dry cloth.
- ◆ Regularly clean the motor housing using a damp cloth. Do not use any abrasive or solvent-based cleaner.

Protecting the environment



Separate collection. This product must not be disposed of with normal household waste.

Should you find one day that your Black & Decker product needs replacement, or if it is of no further use to you, do not dispose of it with household waste. Make this product available for separate collection.



Separate collection of used products and packaging allows materials to be recycled and used again. Re-use of recycled materials helps prevent environmental pollution and reduces the demand for raw materials.

Local regulations may provide for separate collection of electrical products from the household, at municipal waste sites or by the retailer when you purchase a new product.

Black & Decker provides a facility for the collection and recycling of Black & Decker products once they have reached the end of their working life. To take advantage of this service please return your product to any authorised repair agent who will collect them on our behalf.

You can check the location of your nearest authorised repair agent by contacting your local Black & Decker office at the address indicated in this manual. Alternatively, a list of authorised Black & Decker repair agents and full details of our after-sales service and contacts are available on the Internet at: www.2helpU.com

Battery



If you want to dispose of the product yourself, the battery must be removed as described below and disposed of in accordance with local regulations.

- ◆ Preferably discharge the battery by operating the appliance until the motor stops.
- ◆ Press the bowl release button (2) and remove the dust bowl (3).
- ◆ Remove the five screws holding the body of the appliance together.
- ◆ Lift the housing cover away from the assembly.
- ◆ Detach all lead connections from the battery pack.
- ◆ Remove battery pack and motor assembly.
- ◆ Place the battery pack and motor assembly in suitable packaging to ensure that the terminals cannot be short-circuited.
- ◆ Take the battery pack and motor assembly to your service agent or to a local recycling station.

Once removed, the battery cannot be refitted.

Technical data

		NV2410N (H1) NV2420N (H1)	NV3610N (H1) NV3620N (H1) NW3620N (H1)	NV4820N (H1) NW4820N (H1)	NV4820CN (H1)	NV7210N (H1)
Voltage	V _{dc}	2.4	3.6	4.8	4.8	7.2
Battery	Type	NiMH	NiMH	NiMH	NiMH	NiMH
Weight	kg	0.66	0.74	0.77	0.8	0.86
Charger		VA035015D BA035015D	VA050020D BA050020D	VA070015D BA070015D	SSC- 180008EU SSC- 180008UK	SSC- 180008EU SSC- 180008UK
Input voltage	V _{ac}	230	230	230	100-240	100-240
Output voltage	V	3.5 _{ac}	5 _{ac}	7 _{ac}	27 _{dc}	27 _{dc}
Current	mA	150	200	150	85	85
Approximate charge time	h	14	14	14	21	21
Weight	kg	0.2	0.21	0.2	0.06	0.06

Guarantee

Black & Decker is confident of the quality of its products and offers an outstanding guarantee. This guarantee statement is in addition to and in no way prejudices your statutory rights. The guarantee is valid within the territories of the Member States of the European Union and the European Free Trade Area.

If a Black & Decker product becomes defective due to faulty materials, workmanship or lack of conformity, within 24 months from the date of purchase, Black & Decker guarantees to replace defective parts, repair products subjected to fair wear and tear or replace such products to ensure minimum inconvenience to the customer unless:

- ◆ The product has been used for trade, professional or hire purposes;
- ◆ The product has been subjected to misuse or neglect;
- ◆ The product has sustained damage through foreign objects, substances or accidents;
- ◆ Repairs have been attempted by persons other than authorised repair agents or Black & Decker service staff.

To claim on the guarantee, you will need to submit proof of purchase to the seller or an authorised repair agent. You can check the location of your nearest authorised repair agent by contacting your local Black & Decker office at the address indicated in this manual. Alternatively, a list of authorised Black & Decker repair agents and full details of our after-sales service and contacts are available on the Internet at: www.2helpU.com Please visit our website www.blackanddecker.co.uk to register your new Black & Decker product and to be kept up to date on new products and special offers. Further information on the Black & Decker brand and our range of products is available at www.blackanddecker.co.uk

Bestimmungsgemäße Verwendung

Der Handstaubsauger Black & Decker Dustbuster® wurde zum Saugen von leichtem, trockenem Schmutz entwickelt (NV2410N, NV2420N, NV3610N, NV3620N, NV4820N, NV4820CN & NV7210N). Dieses Gerät ist nicht für den gewerblichen Einsatz vorgesehen.

Der Handstaubsauger Black & Decker Dustbuster® wurde zum Saugen von feuchtem und trockenem leichtem Schmutz entwickelt (NW3620N und NW4820N). Dieses Gerät ist nicht für den gewerblichen Einsatz vorgesehen.

Sicherheitshinweise



Achtung! Lesen Sie sämtliche Sicherheitswarnungen und Anweisungen. Die Nichteinhaltung der nachstehend aufgeführten Warnungen und Anweisungen kann einen elektrischen Schlag, Brand und/oder schwere Verletzungen verursachen.



Achtung! Beachten Sie beim Umgang mit akkubetriebenen Geräten stets die grundlegenden Sicherheitshinweise, einschließlich der folgenden. Dadurch verhindern Sie weitgehend das Entstehen von Bränden, das Auslaufen von Akkus sowie Sach- und Personenschäden.

- Lesen Sie diese Anleitung vollständig und aufmerksam durch, bevor Sie das Gerät zum ersten Mal verwenden.
- Der vorgesehene Verwendungszweck ist in dieser Anleitung beschrieben. Bei Verwendung von Zubehör oder Anbauteilen, die nicht in dieser Anleitung empfohlen werden, sowie bei der Verwendung des Geräts in Abweichung von den in dieser Anleitung beschriebenen Verfahren besteht Verletzungsgefahr.
- Bewahren Sie diese Anleitung auf.

Verwendung des Geräts

- Benutzen Sie das Gerät nicht zum Aufsaugen von Flüssigkeiten oder entzündlichen Materialien.
- Betreiben Sie das Gerät nicht in der Nähe von Wasser.
- Tauchen Sie das Gerät nicht in Wasser.
- Ziehen Sie das Ladegerät nicht am Kabel aus der Netzsteckdose. Achten Sie darauf, dass das Kabel des Ladegeräts nicht in Kontakt mit starker Hitze, Öl oder scharfen Gegenständen kommt.
- Dieses Gerät darf von Kindern ab 8 Jahren und Personen mit eingeschränkten körperlichen, sensorischen oder geistigen Fähigkeiten sowie mangelnder Erfahrung und Wissen in Bezug auf dessen Gebrauch bedient werden, wenn sie bei der Verwendung des Geräts beaufsichtigt oder angeleitet werden und die möglichen Gefahren verstehen. Kinder dürfen nicht mit dem Gerät spielen. Reinigung und Wartungsarbeiten dürfen von Kindern nur unter Aufsicht durchgeführt werden.

Inspektion und Reparaturen

- Prüfen Sie das Gerät vor der Verwendung auf beschädigte oder defekte Teile. Prüfen Sie, ob Teile gebrochen sind, Schalter beschädigt wurden oder andere Bedingungen vorliegen, die die Funktion beeinträchtigen können.
- Betreiben Sie das Gerät nicht, wenn ein Teil beschädigt oder defekt ist.
- Lassen Sie beschädigte oder defekte Teile in einer Vertragswerkstatt reparieren oder austauschen.
- Überprüfen Sie das Ladegerätkabel in regelmäßigen Abständen auf Beschädigungen. Tauschen Sie das Ladegerät aus, wenn das Kabel beschädigt oder defekt ist.
- Ersetzen oder entfernen Sie keine Teile, für die in dieser Anleitung keine entsprechende Beschreibung enthalten ist.

Zusätzliche Sicherheitshinweise

Restrisiken.

Beim Gebrauch dieses Geräts verbleiben zusätzliche Restrisiken, die möglicherweise nicht in den Sicherheitswarnungen genannt werden. Diese Risiken bestehen beispielsweise bei Missbrauch oder längerem Gebrauch.

Auch bei der Einhaltung der entsprechenden Sicherheitsvorschriften und der Verwendung aller Sicherheitsgeräte bestehen weiterhin bestimmte Restrisiken. Diese werden im Folgenden aufgeführt:

- Verletzungen, die durch das Berühren von sich bewegenden Teilen verursacht werden.
- Verletzungen, die durch das Berühren von erhitzten Teilen verursacht werden.
- Verletzungen, die durch das Austauschen von Teilen oder Zubehör verursacht werden.
- Verletzungen, die durch längeren Gebrauch des Geräts verursacht werden. Legen Sie bei längerem Gebrauch regelmäßige Pausen ein.

Akkus und Ladegeräte

Akkus

- Akkus dürfen unter keinen Umständen geöffnet werden.
- Achten Sie darauf, dass der Akku nicht mit Wasser in Berührung kommt.
- Setzen Sie den Akku keinen hohen Temperaturen aus.
- Nicht bei Temperaturen über 40°C lagern.
- Laden Sie den Akku ausschließlich bei Umgebungstemperaturen zwischen 10 °C und 40 °C.
- Verwenden Sie ausschließlich das mit dem Gerät gelieferte Ladegerät. Das Verwenden des falschen Ladegeräts kann zu einem Stromschlag oder dem Überhitzen des Akkus führen.
- Bei der Entsorgung von Akkus oder Batterien die Hinweise im Abschnitt „Umweltschutz“ beachten.

- Der Akku darf nicht durch mechanische Krafteinwirkung oder Belastungen beschädigt oder verformt werden. Andernfalls besteht Verletzungs- und Brandgefahr.
- Laden Sie beschädigte Akkus nicht auf.
- Unter extremen Bedingungen können Akkus undicht werden. Wenn Sie feststellen, dass aus dem Akku Flüssigkeit austritt, wischen Sie diese vorsichtig mit einem Tuch ab. Vermeiden Sie Hautkontakt.
- Beachten Sie nach Haut- oder Augenkontakt die folgenden Hinweise.

Achtung! Batteriesäure kann Sach- oder Personenschäden verursachen. Spülen Sie die Säure nach Hautkontakt sofort mit Wasser ab. Suchen Sie einen Arzt auf, wenn sich auf der Haut Rötungen, Reizungen oder andere Irritationen zeigen. Spülen Sie das Auge nach Augenkontakt sofort mit sauberem Wasser aus, und suchen Sie einen Arzt auf.

Ladegeräte

Das Ladegerät ist für eine bestimmte Spannung ausgelegt. Stellen Sie sicher, dass die Netzspannung der auf dem Typenschild des Geräts angegebenen Spannung entspricht.

Achtung! Ersetzen Sie das Ladegerät keinesfalls durch ein normales Netzkabel.




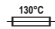

- Verwenden Sie das Black & Decker Ladegerät nur für den Akku des Geräts, mit dem es geliefert wurde. Andere Akkus könnten platzen und Sachschäden oder Verletzungen verursachen.
- Versuchen Sie keinesfalls, nicht aufladbare Batterien zu laden.
- Ist das Netzkabel beschädigt, muss es durch den Hersteller oder eine Black & Decker Vertragswerkstatt ausgetauscht werden, um eine mögliche Gefährdung zu vermeiden.
- Achten Sie darauf, dass das Ladegerät nicht mit Wasser in Berührung kommt.
- Versuchen Sie nicht, das Ladegerät zu öffnen.

- ◆ Nehmen Sie am Ladegerät keine Veränderungen vor.
- ◆ Während das Gerät/der Akku geladen wird, muss auf ausreichende Belüftung geachtet werden.

Elektrische Sicherheit

Das Ladegerät ist für eine bestimmte Spannung ausgelegt. Stellen Sie sicher, dass die Netzspannung der auf dem Typenschild des Geräts angegebenen Spannung entspricht. Ersetzen Sie das Ladegerät keinesfalls durch ein normales Netzkabel.

Symbole auf dem Ladegerät

-  Lesen Sie diese Anleitung vollständig und aufmerksam durch, bevor Sie das Gerät zum ersten Mal verwenden.
-  Dieses Gerät ist schutzisoliert, daher ist keine Erdleitung erforderlich. Überprüfen Sie stets, ob die Netzspannung der auf dem Typenschild des Geräts angegebenen Spannung entspricht.
-  Kurzschlussicherer Trenntrafo. Der Trafoausgang ist elektrisch von der Netzstromversorgung getrennt.
-  Bei extrem hohen Umgebungstemperaturen schaltet sich das Ladegerät automatisch ab. Das Ladegerät lässt sich danach nicht mehr in Betrieb nehmen. Es muss dann von der Netzstromversorgung getrennt und in einer Vertragswerkstatt repariert werden.
-  Die Ladestation darf nur im Innenbereich verwendet werden.

Merkmale

Dieses Gerät verfügt über einige oder alle der folgenden Merkmale.

1. Ein-/Ausschalter
2. Entriegelungstaste für den Auffangbehälter
3. Staubbehälter
4. Ladegerät
5. Ladehalterung

Abb. A

6. Stofffilter zum Trockensaugen (nur NV2410N, NV2420N, NV3610N, NV3620N, NV4820N, NV4820CN & NV7210N)
7. Vorfilter (nur NV2410N, NV2420N, NV3610N, NV3620N, NV4820N, NV4820CN & NV7210N)
8. Schaumstoffeinsatz zum Nass-/Trockensaugen (nur NW3620N und NW4820N)
9. Deflektor zum Nass-/Trockensaugen (nur NW3620N und NW4820N)

Abb. B

10. Gummiwischer (nur NW3620N und NW4820N)
11. Bürste (nur NV2420N, NV3620N, NV4820N und NV4820CN)
12. Fugendüse (nur NV2420N, NV3620N, NV4820N und NV4820CN)

Hinweis: Die Zubehörteile können durch Aufstecken in die Vorderseite des Geräts gespeichert werden. Für Modelle, die sowohl mit einer Bürste und einem Fugendüse geliefert werden, zuerst den Pinsel in die Vorderseite des Geräts passen dann die Fugendüse in die Bürste für die Lagerung.

Installation

Wandmontage (Abb. C)

Das Gerät kann so an einer Wand befestigt werden, dass ein bequem erreichbarer Ort zum Aufbewahren und Laden des Geräts zur Verfügung steht.

Achten Sie bei der Wandmontage darauf, dass die gewählten Befestigungsmittel für den jeweiligen Wandbaustoff geeignet sind und das Gerätegewicht tragen können.

- ◆ Markieren Sie die Position der Schraubenlöcher (in Reichweite einer Steckdose, damit der Staubsauger aufgeladen werden kann, während er an der Wand angebracht ist).
- ◆ Befestigen Sie die Aufhängvorrichtung mithilfe von für Wandtyp und Gerätegewicht geeigneten Schrauben und Dübeln an der Wand.
- ◆ Hängen Sie das Gerät an die Wand, indem Sie die Öffnung an der Unterseite des Staubsaugers auf die Haken an der Wandladerhalterung setzen.

Montage

Zubehör (Abb. B)

Diese Modelle werden mit einigen oder allen der folgenden Zubehörteile ausgeliefert:

- ◆ Gummiwischer (10) zum Nasssaugen von harten Oberflächen
- ◆ Bürste (11) für Möbel und Treppen
- ◆ Fugendüse (12) für beengte Platzverhältnisse

Anbringen (Abb. D)

- ◆ Schieben Sie das Zubehörteil vorn in die Öffnung des Geräts ein. Achten Sie darauf, dass das Zubehörteil vollständig eingesetzt wird.

Verwendung

- ◆ Vor der erstmaligen Verwendung des Geräts muss der Akku mindestens 24 Stunden lang aufgeladen werden.
- ◆ Setzen Sie das Gerät in die Ladehalterung ein, wenn Sie es nicht verwenden.

Achtung! Stellen Sie vor dem Laden sicher, dass sämtliche Flüssigkeit aus dem Gerät entfernt wurde, um Schäden am Gerät zu verhindern.

Laden des Akkus (Abb. C)

- ◆ Vergewissern Sie sich, dass das Gerät ausgeschaltet ist. Wenn sich der Ein-/Ausschalter in der Stellung „Ein“ befindet, wird der Akku nicht geladen.
- ◆ Setzen Sie das Gerät in die Ladehalterung (5) ein.
- ◆ Schließen Sie das Ladegerät an eine Netzsteckdose an. Schalten Sie ggf. die Netzstromversorgung ein.
- ◆ Warten Sie mindestens 21 Stunden, damit der Akku vollständig aufgeladen wird. Das Ladegerät kann sich während des Aufladens erwärmen. Dies ist normal und deutet nicht auf ein Problem hin. Das Ladegerät kann beliebig lange am Gerät angeschlossen bleiben.

Achtung! Laden Sie den Akku nicht, wenn die Umgebungstemperatur unter 10 °C oder über 40 °C liegt.

Hinweis: Stellen Sie das Gerät vollständig auf der Ladestation sitz. Wenn das Gerät nicht richtig sitzt dann wird das Gerät nicht aufgeladen.

Ein- und Ausschalten (Abb. E)

- ◆ Schieben Sie den Ein-/Ausschalter (1) nach vorn in Stellung 1, um das Gerät einzuschalten.
- ◆ Schieben Sie den Ein-/Ausschalter (1) zurück in Stellung 0, um das Gerät auszuschalten.

Trockensaugen (nur NV2410N, NV2420N, NV3610N, NV3620N, NV4820N, NV4820CN & NV7210N)

- ◆ Zum alltäglichen Saugen trockenen Schmutzes

Nass- und Trockensaugen (nur NW3620N und NW4820N)

- ◆ Verwenden Sie das Gerät zum alltäglichen Saugen von trockenem Schmutz ohne den Gummiwischer.

Achtung! Das Gerät ist nicht zum Aufsaugen großer Flüssigkeitsmengen geeignet.

- ◆ Das Gerät kann auch zum alltäglichen Aufsaugen von Flüssigkeiten verwendet werden. Verwenden Sie den Gummiwischer auf wasserabweisenden, harten Oberflächen. Auf wasserabsorbierenden Oberflächen (z. B. Teppichen) lassen sich ausgelaufene Flüssigkeiten besser ohne den Aufsatz zum Nassaugen aufsaugen.
- ◆ Die besten Ergebnisse beim Nassaugen harter Oberflächen erhalten Sie, wenn Sie den Gummiwischer in die Düsenöffnung des Behälters einsetzen.
- ◆ Halten Sie das Gerät mit dem Aufsatz zum Nassaugen im 45 Grad-Winkel, und ziehen Sie es langsam in Ihre Richtung.
- ◆ Füllen Sie den Behälter höchstens bis zum Ende der Ansaugrinne. Wenn sich Flüssigkeit im Behälter befindet, darf das Gerät nicht umgedreht oder zur Seite gedreht, die Düse nicht nach oben gerichtet und der Staubsauger nicht übermäßig geschüttelt werden.
- ◆ Reinigen Sie das Gerät und den Filter unmittelbar nach dem Saugen flüssiger Substanzen. Andernfalls kann sich Schimmel am Gerät bilden.
- ◆ Stellen Sie vor dem Laden sicher, dass sämtliche Flüssigkeit aus dem Gerät entfernt wurde, um Schäden am Gerät zu verhindern.

Optimieren der Saugkraft

Damit das Gerät stets die bestmögliche Saugkraft erzeugt, müssen die Filter während des Gebrauchs regelmäßig gereinigt werden.

Leeren und Reinigen des Produkts

Entfernen des Staubbehälters und der Filter (Abb. F & G)

Achtung! Die Filter sind wieder verwendbar und sollten regelmäßig gereinigt werden.

- ◆ Drücken Sie die Entriegelungstaste für den Auffangbehälter (2), und ziehen Sie den Staubbehälter (3) gerade ab.
- ◆ Ziehen Sie den Filter heraus, während Sie den Staubbehälter über einen Mülleimer oder ein Waschbecken halten, um den Behälter zu leeren.
- ◆ Schieben Sie anschließend den Staubbehälter auf den Griff, bis dieser sicher einrastet.

Achtung! Betreiben Sie das Gerät nie ohne Filter. Die beste Reinigungswirkung erzielen Sie bei sauberen Filtern.

Schaumstoffeinsatz (Abb. H) (nur NW3620N und NW4820N)

- ◆ Setzen Sie den Schaumstoffeinsatz (8) in der Mitte des Deflektors zum Nass-/Trockensaugen (9) ein.

Achtung! Verwenden Sie das Gerät nur dann zum Nasssaugen, wenn der Wasserddeflektor und der Schaumstoffeinsatz angebracht sind.

Vorfilter (Abb. I) (nur NV2410N, NV2420N, NV3610N, NV3620N, NV4820N, NV4820CN & NV7210N)

Der Filter und der Vorfilter lassen sich trennen, um eine bessere Reinigung zu ermöglichen.

- ◆ Drehen Sie den Vorfilter (7) gegen den Uhrzeigersinn, und heben Sie ihn vom Filter (6) ab.

Reinigen der Staubbehälter und der Filter

- ◆ Die Staubbehälter und Filter können mit warmer Seifenlauge gereinigt werden.
- ◆ Die Filter und der Staubbehälter müssen vor dem Wiedereinbau vollständig trocken sein.

Ersetzen der Filter

Die Filter sollten alle 6 bis 9 Monate ersetzt werden, bei sichtbaren Verschleißspuren oder Beschädigungen auch früher.

Ersatzfilter erhalten Sie im Black & Decker Fachhandel:

Verwenden Sie für die Modelle NV2410N, NV2420N, NV3610N, NV3620N, NV4820N, NV4820CN & NV7210N den Filter mit der Teilenummer FLVD10-XJ.

Verwenden Sie für die Modelle NW3620N und NW4820N den Filter mit der Teilenummer FLWD10-XJ.

Wartung

Ihr Black & Decker Gerät (mit und ohne Netzkabel) wurde im Hinblick auf eine lange Lebensdauer und einen möglichst geringen Wartungsaufwand entwickelt. Ein dauerhafter, einwandfreier Betrieb setzt eine regelmäßige Pflege und Reinigung voraus.

Achtung! Vor dem Ausführen jeglicher Wartungsarbeiten an Geräten mit und ohne Netzkabel:

- ◆ Schalten Sie das Gerät aus, und ziehen Sie den Netzstecker.
- ◆ Wenn das Gerät über einen separaten Batteriepack oder Akku verfügt, schalten Sie das Gerät ab, und entnehmen Sie die Batterien aus dem Gerät.

- ◆ Wenn der Akku integriert ist, entladen Sie diesen vor dem Abschalten vollständig.
- ◆ Ziehen Sie das Ladegerät aus der Netzsteckdose, bevor Sie es reinigen. Das Ladegerät benötigt keine Wartung, es sollte aber regelmäßig gereinigt werden.
- ◆ Reinigen Sie regelmäßig die Lüftungsschlitze des Geräts und des Ladegeräts mit einer weichen Bürste oder einem trockenen Tuch.
- ◆ Reinigen Sie das Motorgehäuse regelmäßig mit einem feuchten Tuch. Verwenden Sie keine scheuernden Reinigungsmittel oder Reinigungsmittel auf Lösungsmittelbasis.

Umweltschutz



Getrennte Entsorgung. Dieses Produkt darf keinesfalls mit dem Hausmüll entsorgt werden.

Sollten Sie Ihr Black & Decker Produkt eines Tages ersetzen oder nicht mehr benötigen, entsorgen Sie es nicht mit dem Hausmüll. Führen Sie das Produkt einer getrennten Sammlung zu.



Durch die getrennte Sammlung von ausgedienten Produkten und Verpackungsmaterialien können Rohstoffe recycelt und wiederverwendet werden. Die Wiederverwendung aufbereiteter Materialien trägt zur Vermeidung von Umweltverschmutzung bei und senkt den Rohstoffbedarf.

Die Verordnung zur Abfallentsorgung Ihrer Gemeinde sieht möglicherweise vor, dass Elektrogeräte getrennt vom Hausmüll gesammelt, an der örtlichen Abfallentsorgungseinrichtung abgegeben oder beim Kauf eines neuen Produkts vom Fachhandel zur Entsorgung angenommen werden müssen.

Black & Decker nimmt Ihre ausgedienten Black & Decker Geräte gern zurück und sorgt für eine umweltfreundliche Entsorgung bzw. Wiederverwertung. Um diese Dienstleistung in Anspruch zu nehmen, geben Sie das Gerät bitte bei einer autorisierten Reparaturwerkstatt ab, die für uns die Einsammlung übernimmt.

Die Adresse der zuständigen Niederlassung von Black & Decker steht in dieser Anleitung. Dort teilt man Ihnen gerne die nächstgelegene Vertragswerkstatt mit. Eine Liste der Vertragswerkstätten und aller Kundendienststellen von Black & Decker sowie der zuständigen Ansprechpartner finden Sie auch im Internet unter: www.2helpU.com

Akku



Wenn Sie das Gerät selbst entsorgen, müssen Sie den Akku wie unten beschrieben herausnehmen und ihn gemäß der Abfallentsorgungssatzung Ihrer Gemeinde entsorgen.

- ◆ Sorgen Sie dafür, dass der Akku vollständig entladen ist. Schalten Sie dazu das Gerät ein, und warten Sie, bis der Motor zum Stillstand kommt.
- ◆ Drücken Sie die Entriegelungstaste für den Auffangbehälter (2), und nehmen Sie den Staubbehälter (3) ab.
- ◆ Lösen Sie die fünf Schrauben, die das Gerät zusammenhalten.
- ◆ Entfernen Sie die Abdeckung vom Gerät.
- ◆ Trennen Sie alle Leitungen vom Akku.
- ◆ Entfernen Sie Motor und Akku aus dem Gerät.
- ◆ Verpacken Sie Akku und Motor in einem geeigneten Behälter, sodass die Kontakte nicht kurzgeschlossen werden können.

- ◆ Bringen Sie Akku und Motor zu Ihrer Vertragswerkstatt oder zu einer Rücknahmestelle in Ihrer Nähe.

Ein entnommener Akku kann nicht wieder eingesetzt werden.

Technische Daten

		NV2410N (H1) NV2420N (H1)	NV3610N (H1) NV3620N (H1) NW3620N (H1)	NV4820N (H1) NW4820N (H1)	NV4820CN (H1)	NV7210N (H1)
Spannung	V _{dc}	2.4	3.6	4.8	4.8	7.2
Akku	Typ	NiMH	NiMH	NiMH	NiMH	NiMH
Gewicht	kg	0.66	0.74	0.77	0.8	0.86
Ladegerät		VA035015D BA035015D	VA050020D BA050020D	VA070015D BA070015D	SSC- 180008EU SSC- 180008UK	SSC- 180008EU SSC- 180008UK
Eingangsspannung	V _{ac}	230	230	230	100-240	100-240
Ausgangsspannung	V	3.5 _{ac}	5 _{ac}	7 _{ac}	27 _{dc}	27 _{dc}
Stromstärke	mA	150	200	150	85	85
Ungefähre Ladezeiten	Std.	14	14	14	21	21
Gewicht	kg	0.2	0.21	0.2	0.06	0.06

Garantie

Black & Decker vertraut auf die Qualität der eigenen Geräte und bietet dem Käufer eine außergewöhnliche Garantie. Diese Garantiezusage versteht sich unbeschadet der gesetzlichen Gewährleistungsansprüche und schränkt diese keinesfalls ein. Sie gilt in sämtlichen Mitgliedstaaten der Europäischen Union und der Europäischen Freihandelszone EFTA.

Tritt innerhalb von 24 Monaten ab Kaufdatum an einem Gerät von Black & Decker ein auf Material- oder Verarbeitungsfehler zurückzuführender Mangel auf, garantiert Black & Decker den Austausch defekter Teile, die Reparatur von Geräten mit üblichem Verschleiß bzw. den Austausch eines mangelhaften Gerätes, ohne den Kunden dabei mehr als unbedingt nötig in Anspruch zu nehmen, allerdings vorbehaltlich folgender Ausnahmen:

- ◆ wenn das Gerät gewerblich, beruflich oder im Verleihgeschäft benutzt wurde;
- ◆ wenn das Gerät missbräuchlich verwendet oder mit mangelnder Sorgfalt behandelt wurde;
- ◆ wenn das Gerät durch irgendwelche Fremdeinwirkung beschädigt wurde;
- ◆ wenn ein unbefugter Reparaturversuch durch anderes Personal als das einer Vertragswerkstatt oder des Black & Decker Kundendienstes unternommen wurde.

Zur Inanspruchnahme dieser Garantie ist dem Verkäufer bzw. der Vertragswerkstatt ein Kaufnachweis vorzulegen. Die Adresse der zuständigen Niederlassung von Black & Decker steht in dieser Anleitung. Dort teilt man Ihnen gerne die nächstgelegene Vertragswerkstatt mit. Eine Liste der Vertragswerkstätten und aller Kundendienststellen von Black & Decker sowie der zuständigen Ansprechpartner finden Sie auch im Internet unter: www.2helpU.com

Bitte besuchen Sie unsere Website www.blackanddecker.de, um Ihr neues Black & Decker Produkt zu registrieren. Dort erhalten Sie auch Informationen über neue Produkte und Sonderangebote. Weitere Informationen über die Marke Black & Decker und unsere Produkte finden Sie unter www.blackanddecker.de.

Utilisation

Votre aspirateur à main Dustbuster Black & Decker® est conçu pour les petits travaux de nettoyage de zone légèrement humide (NV2410N, NV2420N, NV3610N, NV3620N, NV4820N, NV4820CN & NV7210N). Il est destiné à une utilisation exclusivement domestique.

Votre aspirateur à main Dustbuster Black & Decker® est conçu pour les petits travaux de nettoyage de zone sèche et humide (NW3620N & NW4820N). Il est destiné à une utilisation exclusivement domestique.

Consignes de sécurité



Attention ! Lisez avec attention tous les avertissements et toutes les instructions. Le non-respect de cette consigne peut entraîner une électrocution, un incendie et/ou de graves blessures.



Attention ! De simples précautions de sécurité sont à prendre pour l'utilisation d'appareil alimenté par pile. Les conseils suivants doivent toujours être appliqués, ceci afin de réduire le risque d'incendie, les fuites de pile, les blessures et les dommages matériels.

- ◆ Lisez attentivement le manuel complet avant d'utiliser l'appareil.
- ◆ Ce manuel décrit la manière d'utiliser cet appareil. L'utilisation d'un accessoire ou d'une fixation, ou bien l'utilisation de cet appareil à d'autres fins que celles recommandées dans ce manuel d'instruction peut présenter un risque de blessures.
- ◆ Gardez ce manuel pour référence ultérieure.

Utilisation de votre appareil

- ◆ N'utilisez pas cet appareil pour aspirer des liquides ou des matériaux qui pourraient prendre feu.
- ◆ N'utilisez pas cet appareil près d'une source d'eau.
- ◆ Ne plongez pas l'appareil dans l'eau.

- ◆ Ne tirez jamais sur le fil du chargeur pour le débrancher. Maintenez le fil du chargeur éloigné de toute source de chaleur, de zones graisseuses et de bords tranchants.
- ◆ Cet appareil peut être utilisé par des enfants âgés de 8 ans ou plus et des personnes ayant des déficiences physiques, mentales ou sensorielles. Cette consigne s'applique aux personnes ayant reçu les instructions appropriées d'utilisation fiable et ayant connaissance des dangers existants. Afin d'éviter que les enfants jouent avec cet appareil, ne les laissez pas sans surveillance. Les enfants ne peuvent en aucun cas assurer le nettoyage et la maintenance sans surveillance.

Vérification et réparations

- ◆ Avant l'utilisation, vérifiez si l'appareil est en bon état ou si aucune pièce ne manque. Recherchez des pièces cassées, des boutons endommagés et d'autres anomalies susceptibles de nuire au bon fonctionnement de l'appareil.
- ◆ N'utilisez pas l'appareil si une pièce est endommagée ou défectueuse.
- ◆ Faites réparer ou remplacer les pièces défectueuses ou endommagées par un réparateur agréé.
- ◆ Vérifiez régulièrement l'état du fil du chargeur. Si le fil est endommagé ou défectueux, remplacez le chargeur.
- ◆ Ne tentez jamais de retirer ou de remplacer des pièces autres que celles citées dans ce manuel.

Consignes de sécurité supplémentaires

Risques résiduels.

L'utilisation d'une machine non mentionnée dans les consignes de sécurité données peut entraîner des risques résiduels supplémentaires. Ces risques peuvent survenir si la machine est mal utilisée, si l'utilisation est prolongée, etc.

Malgré l'application des normes de sécurité requises et la présence de dispositifs de sécurité, certains risques résiduels ne peuvent être évités. Notamment :

- Les blessures dues au contact avec une pièce mobile.
- Les blessures dues au contact avec des pièces brûlantes.
- Les blessures survenues en changeant des pièces ou des accessoires.
- Les blessures dues à l'utilisation prolongée de l'appareil. Une utilisation prolongée de l'appareil nécessite des pauses régulières.

Batteries et chargeurs

Batteries

- En aucun cas, n'essayez d'ouvrir l'outil.
- Ne mettez pas la batterie en contact avec l'eau.
- N'approchez pas la batterie d'une source de chaleur.
- Ne le rangez pas dans des endroits où la température peut dépasser 40 °C.
- Ne chargez qu'à température ambiante comprise entre 10 °C et 40 °C.
- N'utilisez que le chargeur fournis avec l'appareil/outil. Le non respect de cette consigne pourrait entraîner un électrotraumatisme ou une surchauffe de la batterie.
- Pour la mise au rebut des batteries, suivez les instructions données dans la section "Protection de l'environnement".
- Ne déformez/n'endommagez pas le bloc batterie en le perçant ou en le cognant, ceci pourrait entraîner des blessures et un incendie.
- Ne chargez pas les batteries endommagées.
- Dans des conditions extrêmes, une batterie peut couler. Si vous détectez une fuite, utilisez un chiffon pour essuyer le liquide avec précaution. Évitez tout contact avec la peau.

- ◆ En cas de contact avec la peau ou les yeux, suivez les instructions ci-dessous.

Attention ! Le liquide de batterie peut provoquer des blessures ou des dommages. En cas de contact avec la peau, rincez immédiatement à l'eau. Si des rougeurs, une douleur ou une irritation se produisent, consultez un médecin. En cas de contact avec les yeux, rincez à l'eau et consultez immédiatement un médecin.

Chargeurs

Votre chargeur doit être utilisé avec une tension spécifique. Vérifiez toujours si la tension indiquée sur la plaque signalétique de l'appareil correspond à la tension de secteur.

Attention ! N'essayez jamais de remplacer le chargeur par une prise secteur.

- ◆ N'utilisez votre chargeur Black & Decker que pour charger la batterie fournie avec l'appareil/outil. D'autres batteries pourraient exploser, provoquant des blessures et des dommages.
- ◆ Ne tentez jamais de recharger des batteries non rechargeables.
- ◆ Si le câble d'alimentation est endommagé, il doit être remplacé par le fabricant ou par un centre de réparation agréé Black & Decker pour éviter tout risque.
- ◆ Ne mettez pas le chargeur en contact avec l'eau.
- ◆ N'ouvrez pas le chargeur.
- ◆ Ne testez pas le chargeur.
- ◆ Pour le rechargement, placez l'appareil/outil/batterie dans un endroit correctement aéré.

Sécurité électrique

Votre chargeur doit être utilisé avec une tension spécifique. Vérifiez toujours si la tension indiquée sur la plaque signalétique de l'appareil correspond à la tension de secteur. N'essayez jamais de remplacer le chargeur par une prise secteur.

Symboles sur le chargeur



Lisez attentivement le manuel complet avant d'utiliser l'appareil.



Cet appareil est doublement isolé. Par conséquent, aucun câble de mise à la terre n'est nécessaire. Vérifiez si l'alimentation mentionnée sur la plaque signalétique de l'outil correspond bien à la tension présente sur le lieu.



Transformateur avec dispositif de protection contre les courts-circuits. L'alimentation secteur est électriquement indépendante de la sortie du transformateur.



Le chargeur est automatiquement mis hors service si la température ambiante devient trop élevée. Il est alors impossible de l'utiliser. Débranchez la base de charge de l'alimentation secteur pour la faire réparer dans un centre agréé.



La base de charge ne peut être utilisée qu'à l'intérieur.

Caractéristiques

Cet outil comprend certains, ou tous, les éléments suivants :

1. Bouton marche/arrêt
2. Bouton de dégagement du bac à poussière
3. Bac à poussière
4. Chargeur
5. Support de charge

Figure A

6. Filtre en tissu pour éléments secs (NV2410N, NV2420N, NV3610N, NV3620N, NV4820N, NV4820CN & NV7210N uniquement)
7. Pré-filtre (NV2410N, NV2420N, NV3610N, NV3620N, NV4820N, NV4820CN & NV7210N uniquement)
8. Insert en mousse pour éléments secs/humides (NW3620N et NW4820N uniquement)
9. Déflecteur pour éléments secs/humides (NW3620N et NW4820N uniquement)

Figure B

10. Raclette (NW3620N et NW4820N uniquement)
11. Brosse (NV2420N, NV3620N, NV4820N et NV4820CN uniquement)
12. Suceur plat (NV2420N, NV3620N, NV4820N et NV4820CN uniquement)

Remarque: Les accessoires peuvent être stockés en les adaptant à l'avant de l'appareil. Pour les modèles qui sont fournis à la fois une brosse et un suceur plat, vous devrez placer le pinceau dans l'avant de l'appareil puis monter le suceur plat dans la brosse pour le stockage.

Installation

Fixation au mur (figure C)

Pour faciliter le rangement et la mise en charge de l'appareil, l'appareil peut être fixé sur un mur.

Pour l'installation au mur, assurez-vous que la fixation convient au type de mur et au poids de l'appareil.

- ◆ Repérez les trous de vis (à proximité d'une prise électrique pour charger l'aspirateur quand il est fixé au support mural).
- ◆ Installez le support de montage au mur avec les vis et les chevilles appropriées au type de mur et au poids de l'appareil.
- ◆ Accrochez l'appareil sur le mur en plaçant l'ouverture sur la base de l'aspirateur sur les crochets dans le support de charge mural.

Assemblage

Accessoires (figure B)

Ces modèles peuvent être livrés avec les accessoires suivants (pas nécessairement tous) :

- ◆ Une raclette (10) pour les éléments humides sur des surfaces dures.
- ◆ Une brosse (11) pour les meubles et les escaliers.
- ◆ Un suceur plat (12) pour les espaces restreints.

Mise en place (figure D)

- ◆ Insérez l'accessoire approprié à l'avant de l'appareil. Assurez-vous que l'accessoire est bien fixé.

Utilisation

- ◆ Avant la première utilisation, la batterie doit être chargée pendant au moins 24 heures.
- ◆ Placez l'appareil sur le support de charge dès qu'il n'est pas utilisé.

Attention ! Avant le chargement, videz la totalité du liquide et séchez à fond afin d'éviter d'endommager votre appareil.

Charge de la batterie (figure C)

- ◆ Assurez-vous que l'appareil est débranché. La batterie ne se recharge pas si le bouton marche/arrêt est en position de marche.
- ◆ Placez l'appareil sur le support de charge (5).
- ◆ Branchez le chargeur. Branchez au secteur.
- ◆ Laissez l'appareil en charge pendant au moins 21 heures.

Pendant le chargement, le chargeur peut chauffer. Ceci est un phénomène normal qui ne présente aucun problème. L'appareil peut rester branché au chargeur en permanence.

Attention ! Ne chargez pas la batterie si la température ambiante est inférieure à 10 °C ou supérieure à 40 °C.

Remarque: Assurer l'appareil est bien en place sur le socle de chargement. Si l'appareil n'est pas bien en place, puis l'appareil ne se charge pas.

Mise en marche et arrêt (figure E)

- ◆ Pour mettre l'appareil en marche, glissez l'interrupteur marche/arrêt (1) en position 1.
- ◆ Pour arrêter l'appareil, repassez l'interrupteur marche/arrêt (1) en position 0.

Filter pour éléments secs (NV2410N, NV2420N, NV3610N, NV3620N, NV4820N, NV4820CN & NV7210N uniquement)

- ◆ Pour aspirer régulièrement des éléments secs.

Aspiration d'éléments secs/humides (NW3620N et NW4820N uniquement)

- ◆ Pour une aspiration régulière des éléments secs, utilisez votre appareil sans la raclette.

Attention ! Votre produit est conçu pour n'aspirer que des petites quantités.

- ◆ Cet appareil peut aussi être utilisé pour aspirer des petites quantités de liquide. Utilisez la raclette sur les surfaces dures non absorbantes. Sur des surfaces absorbantes, comme un tapis, votre appareil aspire mieux sans l'accessoire.
- ◆ Pour mieux aspirer les éléments humides sur une surface dure, insérez la raclette dans l'ouverture du bac à poussière.
- ◆ Pour un meilleur résultat, maintenez l'appareil dans un angle de 45° et tirez-le lentement vers vous.
- ◆ Ne remplissez pas le bac au-delà de la limite. S'il y a du liquide dans le bac, ne renversez pas l'appareil, ne le placez pas sur le côté, ne pointez pas l'embout vers le haut ou ne secouez pas vigoureusement l'aspirateur.
- ◆ Après avoir aspiré des substances liquide, nettoyez immédiatement l'appareil et le filtre. De la moisissure pourrait apparaître si l'appareil n'est pas correctement nettoyé après avoir aspiré des éléments humides.
- ◆ Avant le chargement, videz la totalité du liquide et séchez à fond afin d'éviter d'endommager votre appareil.

Force d'aspiration maximale

Pour garder la force d'aspiration maximale, les filtres doivent être nettoyés régulièrement.

Vidage et nettoyage

Retrait du récipient à poussière et des filtres (figure F & G)

Attention ! Les filtres sont réutilisables et doivent être nettoyés régulièrement.

- ◆ Appuyez sur le bouton de dégagement du bac à poussière (2) et tirez le bac à poussière (3).
- ◆ Tout en maintenant le bac à poussière au-dessus d'un récipient ou d'un évier, tirez sur le filtre pour vider le bac.
- ◆ Pour replacer le bac de poussière, glissez-le sur la poignée jusqu'à ce qu'il s'enclenche.

Attention ! N'utilisez jamais l'appareil sans les filtres. Pour récupérer le maximum de poussière, les filtres doivent être propres.

Insert en mousse (figure H) (NW3620N et NW4820N uniquement)

- ◆ Placez l'insert en mousse (8) dans le centre du déflecteur pour éléments secs et humides (9).

Attention ! N'utilisez jamais l'appareil pour aspirer des éléments humides sans le déflecteur et l'insert en mousse.

Pré-filtre (figure I)(NV2410N, NV2420N, NV3610N, NV3620N, NV4820N, NV4820CN & NV7210N uniquement)

Le filtre et le pré-filtre peuvent être séparés pour un meilleur nettoyage.

- ◆ Tournez le pré-filtre (7) dans le sens inverse des aiguilles d'une montre et sortez-le du filtre (6).

Nettoyage des bacs à poussière et des filtres

- ◆ Les bacs à poussière et les filtres peuvent être nettoyés à l'eau chaude et au savon.
- ◆ Avant de les réinstaller, assurez-vous que les filtres et le bac à poussière sont secs.

Remplacement des filtres

Les filtres doivent être remplacés tous les 6 à 9 mois et chaque fois qu'ils sont usés ou endommagés.

Vous trouverez des filtres de rechange chez votre revendeur Black & Decker :

Modèles : NV2410N, NV2420N, NV3610N, NV3620N, NV4820N, NV4820CN & NV7210N, un filtre FLVD10-XJ doit être utilisé

Modèles : NW3620N et NW4820N, un filtre FLWD10-XJ doit être utilisé

Entretien

Votre appareil/outil sans fil/avec fil Black & Decker a été conçu pour fonctionner pendant longtemps avec un minimum d'entretien. Un fonctionnement continu satisfaisant dépend d'un nettoyage régulier et d'un entretien approprié de l'outil.

Attention ! À ne pas oublier avant l'entretien des appareils électriques sans fil/avec fil :

- ◆ Arrêtez l'appareil/outil, puis débranchez-le.
- ◆ Ou, arrêtez l'appareil et retirez la batterie de l'appareil/outil si celui-ci est muni d'un bloc-batterie séparé.
- ◆ Ou bien déchargez complètement la batterie si elle est intégrée au système, puis arrêtez l'appareil (position Off).
- ◆ Débranchez le chargeur avant de le nettoyer. Aucun entretien particulier n'est nécessaire pour le chargeur en dehors du nettoyage régulier.
- ◆ Nettoyez régulièrement les orifices de ventilation de votre appareil/outil/chargeur à l'aide d'une brosse souple ou d'un chiffon sec.
- ◆ Nettoyez régulièrement le compartiment du moteur à l'aide d'un chiffon humide. N'utilisez pas de produit abrasif ou à base de solvant.

Protection de l'environnement



Recyclage. Cet appareil ne doit pas être jeté avec les déchets ménagers.

Si votre appareil/outil Black & Decker doit être remplacé ou si vous ne l'utilisez plus, ne le jetez pas avec les ordures ménagères. Songez à la protection de l'environnement et recyclez-le.



La collecte séparée des produits et des emballages usagés permet de recycler et de réutiliser des matériaux. La réutilisation de matériaux recyclés évite la pollution de l'environnement et réduit la demande de matières premières.

Des réglementations locales peuvent stipuler la collecte séparée des produits électriques et des produits ménagers, dans des déchetteries municipales ou par le revendeur lorsque vous achetez un nouveau produit.

Black & Decker offre une solution permettant de recycler les produits Black & Decker lorsqu'ils ont atteint la fin de leur cycle de vie. Pour pouvoir profiter de ce service, veuillez retourner votre produit à un réparateur agréé qui se chargera de le collecter pour nous.

Pour connaître l'adresse du réparateur agréé le plus proche de chez vous, contactez le bureau Black & Decker à l'adresse indiquée dans ce manuel. Vous pourrez aussi trouver une liste de réparateurs agréés de Black & Decker et de plus amples détails sur notre service après-vente sur le site Internet à l'adresse suivante : www.2helpU.com

Batterie



Si vous jetez l'appareil, vous devez retirer la batterie, comme décrit ci-dessous, et la mettre au rebut conformément aux réglementations locales.

- ◆ Il est préférable de décharger complètement la batterie jusqu'à l'arrêt du moteur de l'appareil.
- ◆ Appuyez sur le bouton de dégagement du bac à poussière (2) et retirez le bac à poussière (3).
- ◆ Retirez les cinq vis qui fixent l'ensemble des éléments de l'appareil.
- ◆ Soulevez le couvercle du boîtier de l'ensemble.
- ◆ Détachez tous les raccords du bloc-batteries.
- ◆ Retirez complètement le bloc batterie et moteur.
- ◆ Placez le bloc batterie et moteur dans un emballage approprié pour éviter un court-circuit des bornes.
- ◆ Déposez le bloc batterie et moteur chez votre réparateur ou dans un centre de recyclage local.

Une fois retirée, la batterie ne peut être remplacée.

Caractéristiques techniques

		NV2410N (H1) NV2420N (H1)	NV3610N (H1) NV3620N (H1) NW3620N (H1)	NV4820N (H1) NW4820N (H1)	NV4820CN (H1)	NV7210N (H1)
Tension	V _{dc}	2.4	3.6	4.8	4.8	7.2
Batterie	Type	NiMH	NiMH	NiMH	NiMH	NiMH
Poids	kg	0.66	0.74	0.77	0.8	0.86

		NV2410N (H1) NV2420N (H1)	NV3610N (H1) NV3620N (H1) NW3620N (H1)	NV4820N (H1) NW4820N (H1)	NV4820CN (H1)	NV7210N (H1)
Chargeur		VA035015D BA035015D	VA050020D BA050020D	VA070015D BA070015D	SSC- 180008EU SSC- 180008UK	SSC- 180008EU SSC- 180008UK
Tension d'entrée	V _{ac}	230	230	230	100-240	100-240
Tension de sortie	V	3,5 _{ac}	5 _{ac}	7 _{ac}	27 _{dc}	27 _{dc}
Courant	mA	150	200	150	85	85
Durée approximative de charge	h	14	14	14	21	21
Poids	kg	0.2	0.21	0.2	0.06	0.06

Garantie

Black & Decker vous offre une garantie très élargie ainsi que des produits de qualité. Ce certificat de garantie est un document supplémentaire et ne peut en aucun cas se substituer à vos droits légaux. La garantie est valable sur tout le territoire des États Membres de l'Union Européenne et de la Zone de Libre Échange Européenne.

Si un produit Black & Decker s'avère défectueux en raison de matériaux en mauvaises conditions, d'une erreur humaine, ou d'un manque de conformité dans les 24 mois suivant la date d'achat, Black & Decker garantit le remplacement des pièces défectueuses, la réparation des produits usés ou cassés ou remplace ces produits à la convenance du client, sauf dans les circonstances suivantes :

- ◆ Le produit a été utilisé dans un but commercial, professionnel, ou a été loué;
- ◆ Le produit a été mal utilisé ou utilisé avec négligence;
- ◆ Le produit a subi des dommages à cause d'objets étrangers, de substances ou à cause d'accidents;
- ◆ Des réparations ont été tentées par des techniciens ne faisant pas partie du service technique de Black & Decker.

Pour avoir recours à la garantie, il est nécessaire de fournir une preuve d'achat au vendeur ou à un réparateur agréé. Pour connaître l'adresse du réparateur agréé le plus proche de chez vous, contactez le bureau Black & Decker à l'adresse indiquée dans ce manuel. Vous pourrez aussi trouver une liste de réparateurs agréés Black & Decker et de plus amples détails sur notre service après-vente sur le site Internet à l'adresse suivante : www.2helpU.com

Visitez notre site Web www.blackanddecker.fr pour enregistrer votre nouveau produit Black & Decker et être informé des nouveaux produits et des offres spéciales. Pour plus d'informations concernant la marque Black & Decker et notre gamme de produits, consultez notre site www.blackanddecker.fr

Uso previsto

L'aspirasolidi o aspiraliquidi portatile Black & Decker Dustbuster® è stato progettato per la pulizia leggera e a secco (NV2410N, NV2420N, NV3610N, NV3620N, NV4820N, NV4820CN & NV7210N). L'elettrodomestico è stato progettato solo per uso domestico.

L'aspirasolidi o liquidi portatile Black & Decker Dustbuster® è stato progettato per aspirare solidi e liquidi (NW3620N e NW4820N). L'elettrodomestico è stato progettato solo per uso domestico.

Istruzioni di sicurezza



Attenzione! Leggere tutti gli avvisi di sicurezza e tutte le istruzioni. La mancata osservanza dei presenti avvisi e istruzioni potrebbe causare scosse elettriche, incendi e/o infortuni gravi.



Avvertenza! Quando si usano elettrodomestici alimentati a batteria, osservare sempre le normali precauzioni di sicurezza per ridurre il rischio di incendio, di perdita di liquido dalle batterie, di lesioni personali e di danni materiali.

- ◆ Leggere attentamente il presente manuale prima di usare l'elettrodomestico.
- ◆ L'uso previsto è descritto nel presente manuale. Se questo elettrodomestico viene usato con accessori o per usi diversi da quelli raccomandati nel presente manuale d'uso, si potrebbero verificare lesioni personali.
- ◆ Conservare il presente manuale per futura consultazione.

Utilizzo dell'elettrodomestico

- ◆ Non usare l'elettrodomestico per aspirare liquidi o materiali che potrebbero incendiarsi.
- ◆ Non usare l'elettrodomestico vicino all'acqua.
- ◆ Non immergere l'elettrodomestico in acqua.
- ◆ Non tirare mai il filo per scollegare l'alimentatore dalla presa di corrente. Tenere il filo dell'alimentatore lontano da calore, olio e bordi taglienti.

- ◆ Questo elettrodomestico può essere usato da bambini dagli 8 anni in su e da persone portatrici di handicap fisici, psichici o sensoriali o che non abbiano la dovuta esperienza o conoscenza, sempre che siano seguite o opportunamente istruite sull'uso sicuro e comprendano i pericoli inerenti. I bambini non devono giocare con l'elettrodomestico. Gli interventi di pulizia e di manutenzione da parte dell'utente non devono essere eseguiti da bambini senza supervisione.

Ispezione e riparazioni

- ◆ Prima dell'impiego, controllare che l'elettrodomestico non sia danneggiato e non presenti parti difettose. Controllare che non vi siano parti rotte, che gli interruttori non siano danneggiati e che non vi siano altre condizioni che potrebbero avere ripercussioni sulle prestazioni.
- ◆ Non usare l'elettrodomestico se alcune parti sono danneggiate o difettose.
- ◆ Far riparare o sostituire le parti danneggiate o difettose da un tecnico autorizzato.
- ◆ Controllare a intervalli regolari che il filo dell'alimentatore non sia danneggiato. Sostituire l'alimentatore se il filo è danneggiato o difettoso.
- ◆ Non tentare di smontare o sostituire qualsiasi parte ad eccezione di quelle specificate nel presente manuale.

Ulteriori precauzioni di sicurezza

Rischi residui.

Quando si usa l'elettrodomestico, possono esservi altri rischi residui che possono non essere stati contemplati negli avvisi di sicurezza allegati. Tali rischi possono sorgere a seguito di un uso prolungato o improprio, ecc.

Perfino adottando gli appositi regolamenti di sicurezza e utilizzando i dispositivi di sicurezza, certi rischi residui non possono essere evitati. Essi comprendono:

- ◆ Lesioni causate dal contatto con parti in movimento.
- ◆ Lesioni causate dal contatto con parti calde.

- ◆ Lesioni causate durante la sostituzione di parti o accessori.
- ◆ Lesioni causate dall'impiego prolungato dell'elettrodomestico. Quando si usa qualsiasi elettrodomestico per lunghi periodi, accertarsi di fare regolarmente delle pause.

Batterie e alimentatori

Batterie

- ◆ Non tentare di aprirle per qualsiasi ragione.
- ◆ Non lasciare che la batteria si bagni.
- ◆ Non esporre la batteria al calore.
- ◆ Non riporre in luoghi dove la temperatura potrebbe superare i 40°C.
- ◆ Caricare solo a temperature ambiente tra 10°C e 40°C.
- ◆ Caricare solo usando l'alimentatore fornito con l'apparecchio/elettrodomestico. L'utilizzo dell'alimentatore sbagliato potrebbe causare scosse elettriche o il surriscaldamento della batteria.
- ◆ Quando si smaltiscono le batterie, seguire le istruzioni riportate al capitolo "Protezione dell'ambiente".
- ◆ Non danneggiare/deformare il battery pack forandolo o colpendolo per evitare il rischio di lesioni o di incendio.
- ◆ Non caricare le batterie danneggiate.
- ◆ In condizioni estreme, si potrebbe verificare la perdita di liquido dalle batterie. Se si nota la presenza di liquido sulle batterie, pulirle con attenzione con uno straccio. Evitare il contatto con l'epidermide.
- ◆ In caso di contatto con l'epidermide o gli occhi, seguire le istruzioni riportate di seguito.

Attenzione! Il liquido della batteria può causare lesioni alle persone o danni alle cose. In caso di contatto con la pelle, risciacquare immediatamente con acqua. In caso di rossore, dolore o irritazione, rivolgersi immediatamente a un medico. In caso di contatto con gli occhi, risciacquarli immediatamente con acqua pulita e consultare un medico.

Alimentatori

L'alimentatore è stato progettato per una tensione specifica. Controllare sempre che la tensione di rete corrisponda alla tensione indicata sulla targhetta dei dati tecnici.

Attenzione! Non tentare mai di sostituire l'alimentatore con una normale spina elettrica.

- Usare l'alimentatore Black & Decker solo per caricare la batteria nell'apparecchio/elettrodomestico con il quale è stato fornito. Altre batterie potrebbero scoppiare causando lesioni alle persone e danni.
- Non tentare mai di caricare batterie non ricaricabili.
- In caso di danneggiamento del filo di alimentazione, è necessario farlo riparare dal fabbricante o presso un centro assistenza Black & Decker autorizzato in modo da evitare eventuali pericoli.
- Non lasciare che l'alimentatore si bagni.
- Non aprire l'alimentatore.
- Non collegare l'alimentatore a sonde.
- L'apparecchio/elettrodomestico/batteria devono essere lasciati in una zona ben ventilata durante la carica.

Sicurezza elettrica

L'alimentatore è stato progettato per una tensione specifica. Controllare sempre che la tensione di rete corrisponda alla tensione indicata sulla targhetta dei dati tecnici. Non tentare mai di sostituire l'alimentatore con una normale spina elettrica.

Simboli sull'alimentatore

 Leggere attentamente il presente manuale prima di usare l'elettrodomestico.



Il doppio isolamento di cui è provvisto l'elettrodomestico rende superfluo il filo di terra. Controllare sempre che l'alimentazione corrisponda alla tensione indicata sulla targhetta dei dati tecnici.



Trasformatore di isolamento di sicurezza con protezione contro i corti circuiti. L'alimentazione di rete è separata elettricamente dall'uscita del trasformatore.



L'alimentatore si spegne automaticamente se la temperatura ambiente aumenta eccessivamente. Di conseguenza l'alimentatore diventa inutilizzabile. In questi casi la base di carica deve essere scollegata dall'alimentazione di rete e portata presso un centro di assistenza autorizzato per le necessarie riparazioni.



La base di carica può solo essere usata all'interno.

Caratteristiche

Questo elettrodomestico presenta alcune o tutte le seguenti caratteristiche.

1. Interruttore di accensione
2. Pulsante di rilascio contenitore raccogli-polvere
3. Contenitore raccogli-polvere
4. Caricabatterie
5. Staffa per carica

Fig. A

6. Filtro in tessuto per aspirazione a secco (solo NV2410N, NV2420N, NV3610N, NV3620N, NV4820N, NV4820CN & NV7210N)
7. Prefiltro (solo NV2410N, NV2420N, NV3610N, NV3620N, NV4820N, NV4820CN & NV7210N)
8. Inserto in espanso per aspirasolidi/aspiraliquidi (solo NW3620N e NW4820N)
9. Deflettore per aspirasolidi/aspiraliquidi (solo NW3620N e NW4820N)

Fig. B

10. Raschiatoio (solo NW3620N e NW4820N)
11. Spazzola (solo NV2420N, NV3620N, NV4820N e NV4820CN)
12. Bocchetta a lancia (solo NV2420N, NV3620N, NV4820N e NV4820CN).

Nota: Gli accessori possono essere memorizzati inserendoli nella parte anteriore dell'apparecchio. Per i modelli che vengono forniti sia con un pennello e una bocchetta a lancia, prima inserire il pennello nella parte anteriore dell'apparecchio poi montare la bocchetta a lancia con il pennello, per la conservazione.

Montaggio

Montaggio a parete (fig. C)

Il prodotto può essere fissato a parete per avere un posto comodo dove riporre l'elettrodomestico e dove caricarlo.

Quando si fissa la base sulla parete, accertarsi che il metodo usato sia idoneo al tipo di parete e al peso dell'elettrodomestico.

- ◆ Marcare la posizione dei fori delle viti (in prossimità di una presa di corrente per la carica dell'aspirapolvere quando è montato sulla staffa di montaggio a parete).
- ◆ Fissare la staffa di montaggio sulla parete usando viti e tasselli di tipo idoneo al tipo di parete e al peso dell'elettrodomestico.
- ◆ Appendere l'elettrodomestico sulla parete posizionando l'apertura alla base dell'aspirapolvere nei ganci nella staffa per carica a parete.

Montaggio

Accessori (fig. B)

Questi modelli sono forniti con alcuni o con tutti gli accessori elencati di seguito.

- ◆ Un raschiatoio (10) per impiego con l'aspiraliquidi su superfici dure.
- ◆ Una spazzola (11) per mobili e scale
- ◆ Una bocchetta a lancia (12) per spazi limitati.

Montaggio (fig. D)

- ◆ Inserire l'accessorio desiderato nella parte frontale dell'elettrodomestico. Accertarsi che l'accessorio sia completamente inserito.

Utilizzo

- ◆ Prima dell'utilizzo, caricare la batteria per almeno 24 ore.
- ◆ Appoggiare sempre l'elettrodomestico sulla staffa per carica quando non è utilizzato.

Attenzione! Prima della carica, accertarsi di aver svuotato l'elettrodomestico dal liquido presente e di averlo asciugato, per evitare possibili danni.

Carica della batteria (fig. C)

- ◆ Accertarsi che l'elettrodomestico sia spento. La batteria non si carica se l'interruttore di accensione è regolato su acceso.
- ◆ Appoggiare l'elettrodomestico sulla staffa per carica (5).
- ◆ Collegare l'alimentatore alla presa di corrente. Accendere l'alimentazione di rete.
- ◆ Lasciare che l'elettrodomestico si carichi per almeno 21 ore.

Durante la carica, l'alimentatore potrebbe riscaldarsi. Si tratta di un fatto normale che non indica che vi è un problema. L'elettrodomestico può essere lasciato collegato indefinitamente all'alimentatore.

Attenzione! Non caricare la batteria a temperature ambiente inferiori a 10 °C o superiori a 40 °C.

Nota: Assicurarsi che l'apparecchio sia completamente inserito sulla base di ricarica. Se l'apparecchio non sia completamente inserito allora l'apparecchio non si ricarica.

Accensione e spegnimento (fig. E)

- ◆ Per spegnere l'elettrodomestico, far scorrere in avanti l'interruttore di accensione (1) sulla posizione 1.
- ◆ Per spegnere l'elettrodomestico, riportare l'interruttore di accensione (1) sulla posizione 0.

Filtro per aspirazione a secco (solo NV2410N, NV2420N, NV3610N, NV3620N, NV4820N, NV4820CN & NV7210N)

- ◆ Per i normali versamenti di sostanze asciutte.

Funzione aspirasolidi/aspiraliquidi (solo NW3620N e NW4820N)

- ◆ Per i normali versamenti di sostanze asciutte, usare l'elettrodomestico senza il raschiatoio.

Attenzione! Questo prodotto è adatto solo per versamenti di piccola entità.

- ◆ Questo elettrodomestico può anche essere usato per aspirare normali versamenti di liquidi. Usare il raschiatoio su superfici non assorbenti e dure. Su superfici assorbenti, tipo la moquette, l'elettrodomestico aspira meglio i versamenti liquidi senza l'accessorio.
- ◆ Per ottenere le migliori prestazioni per l'aspirazione di liquidi da superfici dure, inserire il raschiatoio nell'apertura della bocchetta del contenitore.
- ◆ Per ottenere i migliori risultati quando si usa questo accessorio, inclinare l'elettrodomestico a 45° e tirarlo lentamente verso sé stessi.
- ◆ Non riempire il contenitore oltre l'estremità del condotto di aspirazione. Se il contenitore contiene del liquido, non capovolgerlo, non inclinarlo di lato, non puntare la bocchetta verso l'alto e non scuotere eccessivamente l'aspirapolvere.
- ◆ Dopo aver aspirato delle sostanze liquide, pulire immediatamente l'elettrodomestico e il filtro. Se l'elettrodomestico non viene pulito in modo adeguato dopo l'aspirazione di liquidi, al suo interno si potrebbe formare muffa.
- ◆ Prima della carica, accertarsi di aver svuotato l'elettrodomestico dal liquido presente e di averlo asciugato, per evitare possibili danni.

Massima forza aspirante

Per poter mantenere la massima forza aspirante, pulire regolarmente i filtri durante l'impiego.

Svuotamento e pulizia del prodotto.**Rimozione del contenitore raccogli-polvere e dei filtri (fig. F & G).**

Attenzione! i filtri sono riutilizzabili e devono essere puliti regolarmente.

- ◆ Premere il pulsante di rilascio (2) ed estrarre completamente il contenitore raccogli-polvere (3).
- ◆ Tenendo il contenitore raccogli-polvere sopra a un bidone o a un lavandino, estrarre il filtro per svuotare il contenitore.
- ◆ Per rimontare il contenitore raccogli-polvere, appoggiarlo di nuovo sul manico fino a quando si aggancia saldamente in sede.

Attenzione! Non usare mai l'elettrodomestico senza i filtri. La raccolta ottimale della polvere si ottiene solo con i filtri puliti.

Insero in espanso (fig. H) (solo NW3620N e NW4820N)

- ◆ Posizionare l'insero in espanso (8) nel centro del deflettore aspirasolidi/aspiraliquidi (9).

Attenzione! Non usare mai l'elettrodomestico come aspiraliquidi senza aver prima montato il deflettore per l'acqua e l'insero in espanso.

Prefiltro (fig. I) (solo NV2410N, NV2420N, NV3610N, NV3620N, NV4820N, NV4820CN & NV7210N)

Il filtro e il prefiltro possono essere divisi per consentire una migliore pulitura.

- ◆ Ruotare il prefiltro (7) in senso antiorario ed estrarlo dal filtro (6).

Pulitura dei contenitori raccogli-polvere e dei filtri

- ◆ I contenitori raccogli-polvere e i filtri possono essere lavati in acqua calda insaponata.
- ◆ Accertarsi che i filtri e il contenitore raccogli-polvere siano asciutti prima di rimontarli.

Sostituzione dei filtri

I filtri devono essere sostituiti ogni 6 - 9 mesi e quando sono usurati o danneggiati.

I filtri di ricambio sono reperibili presso il rivenditore Black & Decker:

Per i modelli: NV2410N, NV2420N, NV3610N, NV3620N, NV4820N, NV4820CN & NV7210N usare il filtro parte numero FLVD10-XJ

Per i modelli: NW3620N e NW4820N usare il filtro parte numero FLWD10-XJ

Manutenzione

Questo apparecchio/elettrodomestico Black & Decker con o senza filo è stato progettato per funzionare a lungo con una manutenzione minima. Per ottenere prestazioni sempre soddisfacenti occorre avere cura dell'elettrodomestico e sottoporlo a pulizia periodica.

Avvertenza! Prima di eseguire interventi di manutenzione su elettrodomestici con o senza filo procedere come descritto di seguito.

- ◆ Spegnerne e scollegare l'apparecchio/elettrodomestico dalla presa di corrente.
- ◆ Oppure spegnere ed estrarre la batteria se l'apparecchio/elettrodomestico è dotato di battery pack a parte.
- ◆ Oppure scaricare completamente la batteria se è di tipo integrale e quindi spegnerlo.
- ◆ Scollegare l'alimentatore dalla presa di corrente prima di pulirlo. L'alimentatore non richiede nessuna manutenzione salvo una regolare pulizia.
- ◆ Pulire regolarmente le prese di ventilazione dell'apparecchio/elettrodomestico/alimentatore con un pennello o con un panno morbido e asciutto.
- ◆ Il vano del motore deve essere pulito regolarmente con un panno umido. Non usare materiali abrasivi o detergenti a base di solventi.

Protezione dell'ambiente



Raccolta differenziata. Questo prodotto non deve essere smaltito con i normali rifiuti domestici.

Nel caso in cui l'elettrodomestico Black & Decker debba essere sostituito o non sia più necessario, non smaltirlo con i normali rifiuti domestici. Metterlo da parte per la raccolta differenziata.



La raccolta differenziata dei prodotti e degli imballaggi utilizzati consente il riciclaggio dei materiali e il loro continuo utilizzo. Il riutilizzo dei materiali riciclati favorisce la protezione dell'ambiente prevenendo l'inquinamento e riduce il fabbisogno di materie prime.

Seguire la regolamentazione locale per la raccolta differenziata dei prodotti elettrici che può prevedere punti di raccolta o la consegna dell'elettrodomestico al rivenditore presso il quale viene acquistato un nuovo prodotto.

Black & Decker offre ai propri clienti la possibilità di riciclare i prodotti Black & Decker che hanno esaurito la loro vita di servizio. Per usufruire di tale servizio, è sufficiente restituire il prodotto a qualsiasi tecnico autorizzato, incaricato della raccolta per conto dell'azienda.

Per individuare il tecnico autorizzato più vicino, rivolgersi alla sede Black & Decker locale, presso il recapito indicato nel presente manuale. Altrimenti, un elenco completo di tutti i tecnici autorizzati Black & Decker e i dettagli completi sui contatti e i servizi post-vendita sono disponibili su Internet all'indirizzo: www.2helpU.com

Batteria



Se si desidera smaltire il prodotto personalmente, estrarre la batteria come descritto di seguito e smaltirla in base ai regolamenti in vigore.

- ◆ è preferibile lasciare che la batteria si scarichi del tutto facendo funzionare l'elettrodomestico fino a quando il motore si ferma.
- ◆ Premere il pulsante di rilascio (2) ed estrarre il contenitore raccogli-polvere (3).
- ◆ Svitare le cinque viti che tengono unito il corpo dell'elettrodomestico.
- ◆ Sollevare il coperchio dell'alloggiamento dal gruppo.
- ◆ Scollegare tutti i collegamenti dei fili dal battery pack.
- ◆ Estrarre il battery pack e il motore.
- ◆ Imballare il battery pack e il motore in modo idoneo per evitare che i terminali possano essere cortocircuitati.
- ◆ Portare il battery pack e il motore da un rivenditore autorizzato o presso un centro di riciclaggio di zona.

Una volta tolta, la batteria non può essere rimontata.

Dati tecnici

		NV2410N (H1) NV2420N (H1)	NV3610N (H1) NV3620N (H1) NW3620N (H1)	NV4820N (H1) NW4820N (H1)	NV4820CN (H1)	NV7210N (H1)
Tensione	V_{dc}	2.4	3.6	4.8	4.8	7.2
Batteria	Tipo	NiMH	NiMH	NiMH	NiMH	NiMH
Peso	kg	0.66	0.74	0.77	0.8	0.86
Caricabatterie		VA035015D BA035015D	VA050020D BA050020D	VA070015D BA070015D	SSC- 180008EU SSC- 180008UK	SSC- 180008EU SSC- 180008UK
Tensione in ingresso	V_{ac}	230	230	230	100-240	100-240
Tensione erogata	V	3.5 _{ac}	5 _{ac}	7 _{ac}	27 _{dc}	27 _{dc}
Corrente	mA	150	200	150	85	85
Tempo di carica indicativo	h	14	14	14	21	21
Peso	kg	0.2	0.21	0.2	0.06	0.06

Garanzia

Certa della qualità dei suoi prodotti, Black & Decker offre una garanzia eccezionale. Il presente certificato di garanzia è complementare ai diritti legali e non li pregiudica in alcun modo. La garanzia è valida entro il territorio degli Stati membri dell'Unione Europea e dell'EFTA (European Free Trade Area).

Se un prodotto Black & Decker risulta difettoso per qualità del materiale, della costruzione o per mancata conformità entro 24 mesi dalla data di acquisto, Black & Decker garantisce la sostituzione delle parti difettose, provvede alla riparazione dei prodotti se ragionevolmente usurati oppure alla loro sostituzione, in modo da ridurre al minimo il disagio del cliente a meno che:

- ◆ il prodotto non sia stato destinato a usi commerciali, professionali o al noleggio;
- ◆ il prodotto non sia stato usato in modo improprio o scorretto;
- ◆ il prodotto non abbia subito danni causati da oggetti o sostanze estranee oppure incidenti;
- ◆ il prodotto non abbia subito tentativi di riparazione non effettuati da tecnici autorizzati né dall'assistenza Black & Decker.

Per attivare la garanzia è necessario esibire la prova di acquisto al venditore o al tecnico autorizzato. Per individuare il tecnico autorizzato più vicino, rivolgersi alla sede Black & Decker locale, presso il recapito indicato nel presente manuale. Altrimenti, un elenco completo di tutti i tecnici autorizzati Black & Decker e i dettagli completi sui contatti e i servizi post-vendita sono disponibili su Internet all'indirizzo: www.2helpU.com

I clienti che desiderano registrare il nuovo prodotto Black & Decker e ricevere gli aggiornamenti sui nuovi prodotti e le offerte speciali, sono invitati a visitare il sito Web www.blackanddecker.it. Ulteriori informazioni sul marchio e la gamma di prodotti Black & Decker sono disponibili all'indirizzo www.blackanddecker.it.

Beoogd gebruik

Deze Black & Decker Dustbuster® is ontworpen als handstofzuiger voor lichte droge stofzuigwerkzaamheden (NV2410N, NV2420N, NV3610N, NV3620N, NV4820N, NV4820CN & NV7210N). Het apparaat is uitsluitend bestemd voor huishoudelijk gebruik.

Deze Black & Decker Dustbuster® is ontworpen als handstofzuiger voor lichte natte en droge stofzuigwerkzaamheden (NW3620N en NW4820N). Het apparaat is uitsluitend bestemd voor huishoudelijk gebruik.

Veiligheidsinstructies



Waarschuwing! Lees alle veiligheidswaarschuwingen en alle instructies. Wanneer de volgende waarschuwingen en voorschriften niet in acht worden genomen, kan dit een elektrische schok, brand of ernstig letsel tot gevolg hebben.



Waarschuwing! Bij apparaten voor gebruik op accu's moeten bepaalde elementaire voorzorgsmaatregelen, waaronder de navolgende, altijd in acht worden genomen om het gevaar voor brand, lekkende accu's, persoonlijk letsel en materiële schade tot een minimum te beperken.

- Lees deze handleiding zorgvuldig door voordat u het apparaat in gebruik neemt.
- In deze handleiding wordt ingegaan op het beoogde gebruik. Het gebruik van andere accessoires of hulpstukken dan wel de uitvoering van andere handelingen dan in deze gebruikershandleiding worden aanbevolen, kan tot persoonlijk letsel leiden.
- Bewaar deze handleiding zorgvuldig zodat u deze altijd nog eens kunt raadplegen.

Gebruik van het apparaat

- Gebruik het apparaat nooit voor het opzuigen van vloeistoffen of materialen die vlam kunnen vatten.
- Gebruik het apparaat niet in de buurt van water.
- Dompel het apparaat niet onder in water.

- ♦ Trek de oplader nooit aan het snoer uit het stopcontact. Houd de oplader uit de buurt van warmtebronnen, olie en scherpe randen.
- ♦ Dit apparaat mag worden gebruikt door kinderen van 8 jaar en ouder en personen die lichamelijk of geestelijk minder valide zijn of die geen ervaring met of kennis van dit apparaat hebben, mits deze onder toezicht staan of instructies krijgen voor veilig manier gebruik van het apparaat en inzicht hebben in de mogelijke gevaren. Kinderen mogen niet met het apparaat spelen. Laat kinderen nooit zonder toezicht het apparaat schoonmaken of onderhouden.

Inspectie en reparaties

- ♦ Controleer het apparaat vóór gebruik op beschadigingen en defecten. Controleer het vooral op gebroken onderdelen, schade aan de schakelaars en andere omstandigheden die de werking ervan kunnen beïnvloeden.
- ♦ Gebruik het apparaat niet in geval van een of meer beschadigde of defecte onderdelen.
- ♦ Laat beschadigde of defecte onderdelen door een van onze servicecentra repareren of vervangen.
- ♦ Controleer het snoer van de lader regelmatig op beschadigingen. Vervang de lader als het snoer beschadigd of defect is.
- ♦ Probeer nooit andere onderdelen te verwijderen of vervangen dan in deze handleiding zijn vermeld.

Aanvullende veiligheidsinstructies

Overige risico's.

Er kunnen zich tijdens het gebruik van het gereedschap ook andere risico's voordoen, die misschien niet in de bijgevoegde veiligheidswaarschuwingen worden vermeld. Deze risico's kunnen zich voordoen als gevolg van onoordeelkundig gebruik, langdurig gebruik, enz.

Zelfs als de veiligheidsvoorschriften in acht worden genomen en de veiligheidsvoorzieningen worden geïmplementeerd, kunnen bepaalde risico's niet worden vermeden. Deze omvatten:

- Verwondingen die worden veroorzaakt door het aanraken van bewegende onderdelen.
- Verwondingen die worden veroorzaakt door het aanraken van warme onderdelen.
- Verwondingen die worden veroorzaakt bij het vervangen van onderdelen of accessoires.
- Verwondingen die worden veroorzaakt door langdurig gebruik van het apparaat. Als u lange tijd met het apparaat werkt, is het raadzaam om regelmatig een pauze in te lassen.

Accu's en laders

Accu's

- Probeer accu's niet te openen, om welke reden ook.
- Stel de accu niet bloot aan water.
- Stel de accu niet bloot aan hitte.
- Bewaar de accu niet op locaties met temperaturen die hoger zijn dan 40°C.
- Laad de accu alleen op bij een omgevingstemperatuur van 10 tot 40°C.
- Gebruik alleen de lader die bij het gereedschap/apparaat is geleverd. Het gebruik van de verkeerde lader kan resulteren in een elektrische schok of oververhitting van de accu.
- Gooi lege accu's weg volgens de instructies in het gedeelte "Milieu".
- De accubehuizing mag niet worden beschadigd of vervormd door er gaten in te laten komen of ertegen aan te stoten, aangezien dit kan leiden tot letsel of brand.
- Laad beschadigde batterijen niet op.
- Onder extreme omstandigheden kunnen accu's lekkages vertonen. Wanneer de accu nat of vochtig is, veegt u de vloeistof voorzichtig af met een doek. Vermijd huidcontact.

- ◆ Bij huid- of oogcontact volgt u de onderstaande instructies.

Waarschuwing! De accuvloeistof kan lichamelijk letsel of schade aan eigendommen veroorzaken. Bij huidcontact moet u de vloeistof direct afspoelen met water. Raadpleeg uw huisarts als er rode vlekken ontstaan of bij een pijnlijke of geïrriteerde huid. Bij oogcontact moet u de vloeistof direct afspoelen met water en uw huisarts raadplegen.

Laders

De lader is ontworpen voor een specifieke spanning. Controleer altijd of de netspanning overeenkomt met de waarde op het typeplaatje.

Waarschuwing! Probeer de lader nooit te vervangen door een normale netstekker.

- ◆ Gebruik de lader van Black & Decker alleen voor de accu in het gereedschap/apparaat waarbij de lader is bijgeleverd. Andere accu's kunnen exploderen met letsel en materiële schade als gevolg.
- ◆ Niet-laadbare accu's mogen nooit worden opgeladen.
- ◆ Als het netsnoer is beschadigd, moet dit worden vervangen door de fabrikant of een Black & Decker-servicecentrum om gevaren te voorkomen.
- ◆ Stel de lader niet bloot aan water.
- ◆ Open de lader niet.
- ◆ Prik nooit met een scherp voorwerp in de lader.
- ◆ Laad het apparaat/het gereedschap/de accu in een goed geventileerde locatie op.

Elektrische veiligheid

De lader is ontworpen voor een specifieke spanning. Controleer altijd of de netspanning overeenkomt met de waarde op het typeplaatje. Probeer de lader nooit te vervangen door een normale netstekker.

Symbolen op de lader



Lees deze handleiding zorgvuldig door voordat u het apparaat in gebruik neemt.



Dit gereedschap is dubbel geïsoleerd. Een aardaansluiting is daarom niet noodzakelijk. Controleer altijd of de netspanning overeenkomt met de waarde op het typeplaatje.



Scheidingstransformator met kortsluitingsbeveiliging. De netspanning is elektrisch van de transformatoruitgang gescheiden.



De lader wordt automatisch uitgeschakeld als de omgevingstemperatuur te ver oploopt. Hierdoor zal de lader onbruikbaar worden. Neem de lader in dat geval uit het stopcontact en laat deze door een erkend servicecentrum repareren.



De laadhouder is uitsluitend bestemd voor gebruik binnenshuis.

Onderdelen

Dit gereedschap kan de volgende onderdelen bevatten:

1. Aan/uit-schakelaar
2. Ontgrendelingsknop stofcompartiment
3. Stofcompartiment
4. Lader
5. Beugel voor lader

Fig. A

6. Stoffen filter voor droog opzuigen (alleen voor NV2410N, NV2420N, NV3610N, NV3620N, NV4820N, NV4820CN & NV7210N)
7. Voorfilter (alleen voor NV2410N, NV2420N, NV3610N, NV3620N, NV4820N, NV4820CN & NV7210N)
8. Schuimrubberen tussenstuk voor nat of droog (alleen NW3620N en NW4820N)
9. Deflector voor nat of droog (alleen voor NW3620N en NW4820N)

Fig. B

10. Trekker (alleen voor NW3620N en NW4820N)
11. Borstelhulpstuk (alleen voor NV2420N, NV3620N, NV4820N en NV4820CN)
12. Spleetzuiger (alleen voor NV2420N, NV3620N, NV4820N en NV4820CN)

Opmerking: De accessoires kunnen worden opgeslagen door ze aan de voorzijde van het apparaat. Voor modellen die worden geleverd met zowel een borstel en een kierenzuiger, eerst de borstel passen in de voorkant van het apparaat en monteer het spleetmondstuk in de borstel voor opslag.

Installatie

Wandmontage (fig. C)

Het apparaat kan aan een wand worden bevestigd om het apparaat gemakkelijk te kunnen opbergen en opladen.

Selecteer bij wandmontage een bevestigingsmethode die geschikt is voor het betreffende wandtype en het gewicht van het apparaat.

- ◆ Markeer de locatie van de schroefgaten (binnen bereik van een stopcontact voor het opladen van de stofzuiger wanneer deze in de wandhouder is geplaatst).
- ◆ Bevestig de monteerbeugel aan de wand met behulp van schroeven en pluggen die geschikt zijn voor het betreffende wandtype en het gewicht van het apparaat.
- ◆ Hang het apparaat aan de wand door de opening op de basis van de stofzuiger te plaatsen over de haken in de beugel voor de lader.

Monteren

Accessoires (fig. B)

Bij deze modellen worden mogelijk een of meer van de volgende hulpstukken meegeleverd:

- ◆ Een trekker (10) voor natte, harde oppervlakken.
- ◆ Een borstelhulpstuk (11) voor meubilair en trappen.
- ◆ Een spleetzuiger (12) voor smalle kieren.

Aanbrengen (fig. D)

- ◆ Plaats het gewenste hulpstuk in de voorzijde van het apparaat. Zorg ervoor dat het hulpstuk goed is bevestigd.

Gebruik

- ◆ Laad de accu vóór het eerste gebruik gedurende ten minste 24 uur op.
- ◆ Plaats het apparaat op de beugel voor de lader als dit niet wordt gebruikt.

Waarschuwing! Voordat u het apparaat oplaadt, moet u alle vloeibare inhoud verwijderen en het apparaat grondig drogen, zodat het niet beschadigd raakt.

De batterij laden (fig. C)

- ◆ Zorg ervoor dat het apparaat uitgeschakeld is. De accu wordt niet opgeladen als de aan/uit-schakelaar in de aan-stand staat.
- ◆ Plaats het apparaat op de houder voor de lader (5).
- ◆ Steek de stekker van de lader in het stopcontact. Schakel zonodig de netspanning in.
- ◆ Laat het apparaat ten minste 21 uur opladen.

Tijdens het opladen kan de lader warm worden. Dit is normaal en wijst niet op een probleem. Het apparaat kan voor onbepaalde tijd met de lader verbonden blijven.

Waarschuwing! Laad de accu niet op bij omgevingstemperaturen onder 10°C of boven 40°C.

Opmerking: Zorg ervoor dat het apparaat goed vastzit op het laadstation. Als het apparaat niet goed geplaatst dan dient het apparaat niet opgeladen.

In- en uitschakelen (fig. E)

- ◆ Schuif de aan/uit-schakelaar (1) in stand 1 om het apparaat in te schakelen.
- ◆ Schuif de aan/uit-schakelaar (1) in stand 0 om het apparaat uit te schakelen.

Droog opzuigen (alleen voor NV2410N, NV2420N, NV3610N, NV3620N, NV4820N, NV4820CN & NV7210N)

- ◆ Voor dagelijks droog vuil.

Nat of droog opzuigen (alleen voor NW3620N en NW4820N)

- ◆ Voor dagelijks droog vuil gebruikt u het apparaat zonder de trekker.

Waarschuwing! Het product is ontworpen voor kleine vlekken.

- ◆ Dit apparaat kan ook worden gebruikt om gemorste vloeistoffen op te zuigen. Gebruik de trekker op niet-absorberende, harde oppervlakken. Op absorberende oppervlakken zoals tapijt kan het apparaat natte plekken beter opzuigen zonder het hulpstuk.
- ◆ Plaats voor de beste prestaties op harde, natte oppervlakken de trekker in de opening van het mondstuk.
- ◆ Voor de beste resultaten met dit hulpstuk houdt u het apparaat in een hoek van 45° en trekt u dit langzaam naar u toe.
- ◆ Vul het stofcompartiment niet verder dan het einde van de zuiginvoer. Als er vloeistof in het stofcompartiment zit, moet u het apparaat niet ondersteboven of scheef houden, moet u het mondstuk niet naar boven houden en moet u de stofzuiger niet al te veel heen en weer schudden.
- ◆ Na het opzuigen van vloeistof moeten het apparaat en het filter meteen worden gereinigd. Als het apparaat niet adequaat wordt gereinigd na het opzuigen van vloeistof, kan zich schimmel vormen.
- ◆ Voordat u het apparaat oplaadt, moet u alle vloeibare inhoud verwijderen en het apparaat grondig drogen, zodat het niet beschadigd raakt.

Zuigkracht optimaal houden

Voor een optimale zuigkracht moeten de filters tijdens het gebruik regelmatig worden gereinigd.

Het apparaat legen en reinigen.**Stofcompartiment en filters verwijderen (fig. F & G).**

Waarschuwing! De filters zijn herbruikbaar en moeten regelmatig worden gereinigd.

- ◆ Druk op de ontgrendelingsknop (2) en trek het stofcompartiment (3) eraf.
- ◆ Houd het stofcompartiment boven een vuilnisbak of gootsteen en trek het filter naar buiten om het stofcompartiment te legen.
- ◆ U kunt het stofcompartiment terugplaatsen door het vast te klikken op het handvat.

Waarschuwing! Gebruik het apparaat nooit zonder de filters. Het apparaat werkt alleen optimaal bij schone filters.

Schuimrubberen tussenstuk (fig. H) (alleen voor NW3620N en NW4820N)

- ◆ Plaats het schuimrubberen tussenstuk (8) in het midden van de natte/droge deflector (9).

Waarschuwing! Gebruik het apparaat nooit voor natte toepassingen zonder eerst de waterdeflector en het schuimrubberen tussenstuk te plaatsen.

Voorfilter (fig. 1) (alleen voor NV2410N, NV2420N, NV3610N, NV3620N, NV4820N, NV4820CN & NV7210N)

Het filter en het voorfilter kunnen worden gescheiden voor grondigere reiniging.

- ◆ Draai het voorfilter (7) tegen de klok in en haal het uit het filter (6).

De stofcompartimenten en filters reinigen

- ◆ De stofcompartimenten en filters kunnen worden gewassen met warm water met een beetje zeep.
- ◆ Zorg ervoor dat de filters en het stofcompartiment droog zijn voordat u deze teruglaatst.

Filters vervangen

De filters moeten om de 6 à 9 maanden of bij tussentijdse slijtages of beschadiging worden vervangen.

Vervangende filters zijn verkrijgbaar via uw Black & Decker-leverancier:

Voor de modellen: NV2410N, NV2420N, NV3610N, NV3620N, NV4820N, NV4820CN & NV7210N gebruikt u het filter met onderdeelnummer FLVD10-XJ

Voor de modellen: NW3620N en NW4820N gebruiken het filter met onderdeelnummer FLWD10-XJ

Onderhoud

Uw Black & Decker-gereedschap/-apparaat (met netsnoer/snoerloos) is ontworpen om gedurende langere tijd te functioneren met een minimum aan onderhoud. U kunt het gereedschap naar volle tevredenheid blijven gebruiken als u voor correct onderhoud zorgt en het gereedschap regelmatig schoonmaakt.

Waarschuwing! Doe altijd het volgende voordat u onderhouds- of reinigingswerkzaamheden aan het gereedschap (met snoer/snoerloos) uitvoert.

- ◆ Schakel het gereedschap/apparaat uit en trek de stekker uit het stopcontact.
- ◆ Als het gereedschap/apparaat een afzonderlijke accu heeft, schakelt u het gereedschap/apparaat uit en haalt u de accu eruit.
- ◆ Als de accu is ingebouwd, laat u deze volledig ontladen. Schakel dan het apparaat uit.
- ◆ Neem de lader uit het stopcontact voordat u deze schoonmaakt. Naast regelmatige reiniging vereist de lader geen onderhoud.
- ◆ Reinig regelmatig de ventilatieopeningen van het gereedschap/apparaat/lader met een zachte borstel of droge doek.
- ◆ Reinig de behuizing van de motor regelmatig met een vochtige doek. Gebruik geen schuur- of oplosmiddel.

Milieu



Aparte inzameling. Dit product mag niet met normaal huishoudelijk afval worden weggegooid.

Mocht u op een dag constateren dat het Black & Decker-product aan vervanging toe is of dat u het apparaat niet meer nodig hebt, gooi het product dan niet bij het restafval. Het product valt onder de categorie voor elektrische apparaten.



Gescheiden inzameling van gebruikte producten en verpakkingsmaterialen maakt het mogelijk materialen te recyclen en opnieuw te gebruiken. Hergebruik van gerecycleerde materialen zorgt voor minder milieuvuiling en dringt de vraag naar grondstoffen terug.

Plaatselijke verordeningen kunnen voorzien in gescheiden inzameling van huishoudelijke elektrische producten via gemeentelijke stortplaatsen of via de leverancier bij wie u een nieuw product aanschaft.

Black & Decker biedt de mogelijkheid tot het recyclen van afgedankte Black & Decker-producten. Om gebruik te maken van deze service, dient u het product naar een van onze servicecentra te sturen, die de inzameling voor ons verzorgen.

U kunt het adres van het dichtstbijzijnde Black & Decker-servicecentrum opvragen via de adressen op de achterzijde van deze handleiding. U kunt ook een lijst van onze servicecentra en meer informatie m.b.t. onze klantenservice vinden op het volgende internetadres: www.2helpU.com

Accu



Als u het product zelf wilt afvoeren, moet u de accu op de hierna beschreven wijze verwijderen en conform de geldende voorschriften afvoeren.

- ◆ Laat het apparaat werken tot de motor stopt om de accu te ontladen.
- ◆ Druk op de ontgrendelingsknop (2) en verwijder het stofcompartiment (3).
- ◆ Verwijder de vijf schroeven waarmee de behuizing van het apparaat vastzit.
- ◆ Til de klep van de behuizing uit het apparaat.
- ◆ Ontkoppel alle stroomverbindingen van de accu.
- ◆ Verwijder de accu- en motoreenheid in zijn geheel uit het apparaat.
- ◆ Plaats de accu- en motoreenheid in een geschikte verpakking om ervoor te zorgen dat er geen kortsluiting tussen de polen kan ontstaan.
- ◆ Breng de accu- en motoreenheid naar het servicecentrum of een inzamellocatie in uw woonplaats.

Plaats een verwijderde accu niet meer terug in het apparaat.

Technische gegevens

		NV2410N (H1) NV2420N (H1)	NV3610N (H1) NV3620N (H1) NW3620N (H1)	NV4820N (H1) NW4820N (H1)	NV4820CN (H1)	NV7210N (H1)
Spanning	V_{dc}	2.4	3.6	4.8	4.8	7.2
Batterij	Type	NiMH	NiMH	NiMH	NiMH	NiMH
Gewicht	kg	0.66	0.74	0.77	0.8	0.86

		NV2410N (H1) NV2420N (H1)	NV3610N (H1) NV3620N (H1) NW3620N (H1)	NV4820N (H1) NW4820N (H1)	NV4820CN (H1)	NV7210N (H1)
Lader		VA035015D BA035015D	VA050020D BA050020D	VA070015D BA070015D	SSC- 180008EU SSC- 180008UK	SSC- 180008EU SSC- 180008UK
Ingangsspanning	V_{ac}	230	230	230	100-240	100-240
Uitgangsspanning	V	3,5 _{ac}	5 _{ac}	7 _{ac}	27 _{dc}	27 _{dc}
Laadstroom	mA	150	200	150	85	85
Oplaatijd bij benadering	uur	14	14	14	21	21
Gewicht	kg	0.2	0.21	0.2	0.06	0.06

Garantie

Black & Decker heeft vertrouwen in haar producten en biedt een uitstekende garantie. Deze garantiebepalingen vormen een aanvulling op uw wettelijke rechten en beperken deze niet. De garantie geldt in de lidstaten van de Europese Unie en de Europese Vrijhandelsassociatie.

Mocht uw Black & Decker product binnen 24 maanden na de datum van aankoop defect raken ten gevolge van materiaal- of constructiefouten, dan garanderen wij de kosteloze vervanging van defecte onderdelen, de reparatie van het product of de vervanging van het product, tenzij:

- ◆ Het product is gebruikt voor handelsdoeleinden, professionele toepassingen of verhuurdoeleinden.
- ◆ Het product onoordeelkundig is gebruikt.
- ◆ Het product is beschadigd door invloeden van buitenaf of door een ongeval.
- ◆ Reparaties zijn uitgevoerd door anderen dan onze servicecentra of Black & Decker-personeel.

Om een beroep te doen op de garantie, dient u een aankoopbewijs te overhandigen aan de verkoper of een van onze servicecentra. U kunt het adres van het dichtstbijzijnde Black & Decker-servicecentrum opvragen via de adressen op de achterzijde van deze handleiding. U kunt ook een lijst van Black & Decker-servicecentra en meer informatie m.b.t. onze klantenservice vinden op het volgende internetadres: www.2helpU.com

Meld u aan op onze website www.blackanddecker.nl om te worden geïnformeerd over nieuwe producten en speciale aanbiedingen. Verdere informatie over het merk Black & Decker en onze producten vindt u op www.blackanddecker.nl.

Uso específico

La aspiradora de mano Dustbuster® de Black & Decker se ha diseñado para proporcionar una limpieza suave mediante aspiración en seco o húmeda (NV2410N, NV2420N, NV3610N, NV3620N, NV4820N, NV4820CN & NV7210N). Este aparato está pensado únicamente para uso doméstico.

La aspiradora de mano Dustbuster® de Black & Decker se ha diseñado para proporcionar una limpieza suave mediante aspiración en seco y húmedo (NW3620N & NW4820N). Este aparato está pensado únicamente para uso doméstico.

Instrucciones de seguridad



¡Atención! Lea todas las advertencias e instrucciones de seguridad.

En caso de no atenerse a las siguientes advertencias e instrucciones de seguridad, podría producirse una descarga eléctrica, incendio o lesión grave.



¡Atención! Si utiliza aparatos alimentados por batería, es necesario tomar siempre algunas precauciones de seguridad básicas, incluidas las facilitadas a continuación, para reducir el riesgo de incendio, fugas del electrolito, lesiones y daños materiales.

- ◆ Lea todo el manual detenidamente antes de utilizar el aparato.
- ◆ En este manual se describe el uso para el que se ha diseñado el aparato. La utilización de accesorios o la realización de operaciones distintas de las recomendadas en este manual de instrucciones puede presentar un riesgo de lesiones.
- ◆ Conserve este manual para futuras consultas.

Utilización del aparato

- ◆ No utilice el aparato para recoger ningún líquido ni material inflamable.
- ◆ No utilice el aparato cerca del agua.
- ◆ No sumerja el aparato en agua.

- ◆ No tire del cable para desconectar el cargador de la toma de corriente. Mantenga el cable del cargador alejado de fuentes de calor, aceites y bordes afilados.
- ◆ Ninguna persona (incluidos los niños a partir de ocho años de edad) con capacidades físicas, sensoriales o mentales disminuidas, o que carezca de experiencia y conocimientos, debe utilizar este aparato, salvo que haya recibido supervisión o formación con respecto al uso del aparato de una forma segura y que comprenda los peligros que entraña. Los niños no deben jugar con el aparato. Ningún niño deberá realizar las tareas de limpieza y mantenimiento, salvo que lo hagan bajo supervisión.

Inspecciones y reparaciones

- ◆ Antes de utilizarlo, compruebe que el aparato no contenga piezas dañadas ni defectuosas. Compruebe que no hay piezas rotas, que los interruptores no están dañados y que no existen otros defectos que puedan afectar al funcionamiento del aparato.
- ◆ No utilice el aparato si presenta alguna pieza dañada o defectuosa.
- ◆ Solicite al servicio técnico autorizado la reparación o sustitución de las piezas dañadas o defectuosas.
- ◆ Compruebe con regularidad que el cable del cargador no ha sufrido daños. Sustituya el cargador si el cable está dañado o es defectuoso.
- ◆ Nunca intente extraer ni sustituir piezas no especificadas en este manual.

Instrucciones de seguridad adicionales

Riesgos residuales.

El uso de esta herramienta puede producir riesgos residuales adicionales no incluidos en las advertencias de seguridad adjuntas. Estos riesgos se pueden generar por un uso incorrecto, demasiado prolongado, etc.

El cumplimiento de las normas de seguridad correspondientes y el uso de dispositivos de seguridad no evitan ciertos riesgos residuales. Estos riesgos incluyen:

- ◆ Lesiones producidas por el contacto con piezas móviles.
- ◆ Lesiones producidas por el contacto con piezas calientes.
- ◆ Lesiones producidas al cambiar cualquier pieza o accesorio.
- ◆ Lesiones producidas al usar el aparato por un tiempo demasiado prolongado. Si utiliza un aparato durante períodos de tiempo demasiado prolongados, asegúrese de realizar pausas con frecuencia.

Baterías y cargadores

Baterías

- ◆ No intente abrirlas bajo ningún concepto.
- ◆ No exponga la batería al agua.
- ◆ No exponga la batería al calor.
- ◆ No guarde la batería en lugares en los que la temperatura pueda superar los 40 °C.
- ◆ Realice la carga únicamente a una temperatura ambiente de entre 10 °C y 40 °C.
- ◆ Utilice únicamente el cargador suministrado con el aparato o la herramienta para realizar la carga. La utilización de un cargador incorrecto podría provocar una descarga eléctrica o el recalentamiento de la batería.
- ◆ Para desechar las pilas o las baterías, siga las instrucciones facilitadas en la sección "Protección del medio ambiente".
- ◆ No dañe ni deforme la batería mediante perforaciones o golpes, ya que puede suponer un riesgo de incendio y de lesiones.
- ◆ No cargue baterías dañadas.

- ◆ Es posible que se produzcan fugas en las baterías en condiciones extremas. Cuando observe que se producen fugas en las baterías, limpie cuidadosamente el líquido con un paño. Evite el contacto con la piel.
- ◆ En caso de que se produzca contacto con la piel o los ojos, siga las instrucciones facilitadas a continuación.

¡Atención! El líquido de las baterías puede provocar lesiones o daños materiales. En caso de que se produzca contacto con la piel, lave la zona con agua inmediatamente. Si se produce enrojecimiento, dolor o irritación, solicite atención médica. En caso de contacto con los ojos, lave la zona inmediatamente con agua limpia y solicite atención médica.

Cargadores

El cargador se ha diseñado para un voltaje específico. Cada vez que utilice el aparato, debe comprobar que el voltaje de la red eléctrica coincide con el valor indicado en la placa de datos.

¡Atención! No intente sustituir el cargador por un enchufe convencional para la red eléctrica.

- ◆ Para cargar la batería del aparato o herramienta, utilice únicamente el cargador Black & Decker suministrado. Si intenta cargar otras baterías, estas podrían explotar y provocar lesiones y daños materiales.
- ◆ No intente cargar nunca baterías no recargables.
- ◆ Si se dañara el cable de alimentación, lo deberá sustituir el fabricante o un centro de asistencia técnica autorizado de Black & Decker para evitar cualquier situación de riesgo.
- ◆ No exponga el cargador al agua.
- ◆ No abra el cargador.
- ◆ No aplique ningún dispositivo para medir la resistencia del cargador.
- ◆ El aparato, la herramienta o la batería deben colocarse en una zona correctamente ventilada durante la carga.

Seguridad eléctrica

El cargador se ha diseñado para un voltaje específico. Cada vez que utilice el aparato, debe comprobar que el voltaje de la red eléctrica coincide con el valor indicado en la placa de datos. No intente sustituir el cargador por un enchufe convencional para la red eléctrica.

Símbolos del cargador



Lea todo el manual detenidamente antes de utilizar el aparato.



Esta herramienta lleva un doble aislamiento; por lo tanto, no requiere una toma a tierra. Compruebe siempre que la tensión de la red coincide con el valor indicado en la placa de datos de la herramienta.



Transformador aislante de seguridad a prueba de cortocircuitos. La alimentación de la toma de corriente está aislada eléctricamente de la salida del transformador.



El cargador se apaga automáticamente si detecta que la temperatura ambiente es excesivamente alta. En este caso, el cargador no se podrá utilizar. Deberá desconectar la base del cargador de la toma de corriente y llevar el cargador a un centro de servicio autorizado para que lo reparen.



La base del cargador está pensada únicamente para utilizarla en espacios interiores.

Características

Esta herramienta incluye una o más de las siguientes características.

1. Interruptor de encendido/apagado
2. Botón de liberación del recipiente
3. Recipiente para el polvo
4. Cargador
5. Soporte de carga

Fig. A

6. Filtro de tela para la recolección en seco (solo en los modelos NV2410N, NV2420N, NV3610N, NV3620N, NV4820N, NV4820CN & NV7210N)
7. Filtro previo (solo en los modelos NV2410N, NV2420N, NV3610N, NV3620N, NV4820N, NV4820CN & NV7210N)
8. Pieza de espuma para limpieza en húmedo/seco (solo en los modelos NW3620N y NW4820N)
9. Deflector para limpieza en húmedo/en seco (solo en los modelos NW3620N y NW4820N)

Fig. B

10. Escobilla de goma para secar superficies (solo en los modelos NW3620N y NW4820N)
11. Cepillo (solo en los modelos NV2420N, NV3620N, NV4820N y NV4820CN)
12. Boquilla estrecha (solo en los modelos NV2420N, NV3620N, NV4820N y NV4820CN).

Nota: Los accesorios pueden ser almacenados mediante la instalación de ellos en la parte frontal del aparato. Para los modelos que se suministran tanto con un cepillo y una herramienta de la grieta, en primer lugar ajustar el cepillo en la parte delantera del aparato y luego coloque la boquilla estrecha entre la maleza para el almacenamiento.

Instalación**Montaje de pared (Fig. C)**

El producto puede fijarse a una pared para proporcionar al aparato un punto de almacenamiento y de carga adecuado.

Cuando fije la base a la pared, asegúrese de que el método de fijación sea el adecuado para el tipo de pared y el peso del aparato.

- ◆ Marque la posición de los orificios de los tornillos (cerca de una toma corriente eléctrica para poder cargar la aspiradora mientras está fijada a la pared).
- ◆ Fije el soporte de montaje a la pared y utilice los tornillos y enchufes adecuados para el tipo de pared y para el peso del aparato.
- ◆ Cuelgue el aparato en la pared colocando la abertura de la base de la aspiradora sobre los ganchos de la pieza de carga.

Montaje**Accesorios (Fig. B)**

Estos modelos pueden suministrarse con algunos de los accesorios siguientes:

- ◆ Una escobilla de goma (10) para secar superficies duras.
- ◆ Un cepillo (11) para los muebles y las escaleras.
- ◆ Una boquilla estrecha (12), para acceder a los rincones más difíciles.

Colocación (Fig. D)

- ◆ Introduzca el accesorio apropiado en la parte frontal del aparato. Compruebe que ha introducido completamente el accesorio.

Uso

- ◆ Antes de utilizar al aparato por primera vez, se debe cargar la batería durante 24 horas como mínimo.
- ◆ Cuando no esté utilizando el aparato, colóquelo en soporte del cargador.

¡Atención! Antes de cargar el aparato, asegúrese de vaciar todo el contenido líquido y séquelo a conciencia para evitar que se produzcan daños.

Carga de la batería (Fig. C)

- ◆ Compruebe que el aparato está apagado. Si el interruptor de encendido/apagado está en la posición de encendido, la batería no se cargará.
- ◆ Coloque el aparato en el soporte del cargador (5).
- ◆ Enchufe el cargador. Conéctelo a la red eléctrica.
- ◆ El aparato se debe cargar durante un mínimo de 21 horas.

Durante la carga, es posible que el cargador se caliente. Esto es normal y no indica ningún fallo en el funcionamiento. Se puede dejar el aparato conectado al cargador indefinidamente.

¡Atención! No cargue la batería a una temperatura ambiente inferior a 10 °C o superior a 40 °C.

Nota: Asegúrese de que el aparato esté completamente asentado en la base de carga. Si el aparato no está completamente asentada entonces el aparato no se carga.

Encendido y apagado (Fig. E)

- ◆ Para encender el aparato, deslice el interruptor de encendido/apagado (1) hacia delante hasta la posición 1.
- ◆ Para apagar el aparato, vuelva a colocar el interruptor de encendido/apagado (1) en la posición 0.

Recolección en seco (solo en los modelos NV2410N, NV2420N, NV3610N, NV3620N, NV4820N, NV4820CN & NV7210N)

- ◆ Para residuos corrientes de material seco.

Recolección normal y en seco (solo en los modelos NW3620N y NW4820N)

- ◆ Para residuos corrientes de material seco, no utilice la escobilla de goma del aparato.

¡Atención! Este producto está diseñado para residuos ligeros únicamente.

- ◆ Este aparato también puede usarse para recoger residuos líquidos corrientes. Para las superficies duras, no absorbentes, utilice la escobilla de goma. En superficies absorbentes como, por ejemplo, una alfombra, el aparato aspirará mejor los residuos líquidos sin instalar el accesorio.
- ◆ Para obtener mejores resultados en las recolecciones en húmedo de superficies duras, introduzca la escobilla de goma en la boquilla del recipiente.
- ◆ Para obtener óptimos resultados al utilizar este accesorio, sujete el aparato con un ángulo de 45° y tire de él lentamente hacia usted.
- ◆ Al llenar el recipiente, no rebase el conducto de entrada. Si hay líquido en el recipiente, no ponga la unidad boca abajo, de lado ni con la boquilla mirando hacia arriba, ni agite en exceso la aspiradora.
- ◆ Después de recoger sustancias líquidas, limpie enseguida el aparato y el filtro. Si la unidad no se limpia adecuadamente después de las recolecciones en húmedo, se puede formar moho.
- ◆ Antes de cargar el aparato, asegúrese de vaciar todo el contenido líquido y séquelo a conciencia para evitar que se produzcan daños.

Optimización de la fuerza de succión

Para que el aparato conserve toda su fuerza de succión, es necesario limpiar los filtros periódicamente durante su uso.

Vaciado y limpieza del producto.

Extracción del recipiente y de los filtros para el polvo (Fig. F & G).

¡Atención! Los filtros son reutilizables y se deben limpiar con regularidad.

- ◆ Presione el botón de liberación del recipiente (2) y extraiga el recipiente para el polvo (3) tirando de él en línea recta.
- ◆ Para vaciar el contenido del recipiente para el polvo, extraiga el filtro sobre un cubo o fregadero.
- ◆ Para sustituir el recipiente para el polvo, vuelva a colocarlo en el soporte asegurándose de que quede bien encajado en su sitio.

¡Atención! No utilice nunca el aparato sin filtros. Solo conseguirá un óptimo rendimiento del aparato si los filtros están limpios.

Pieza de espuma (Fig. H) (solo NW3620N y NW4820N)

- ◆ Introduzca la pieza de espuma (8) en el centro del deflector para limpieza en húmedo/seco (9).

¡Atención! No utilice nunca el aparato para limpiezas en húmedo sin haber colocado el deflector de agua y la pieza de espuma.

Filtro previo (Fig. I) (solo NV2410N, NV2420N, NV3610N, NV3620N, NV4820N, NV4820CN & NV7210N)

El filtro y el filtro previo pueden separarse para facilitar su limpieza.

- ◆ Gire el filtro previo (7) en el sentido opuesto al de las agujas del reloj y levántelo para separarlo del filtro (6).

Limpieza de los recipientes y filtros para el polvo

- ◆ Los recipientes y filtros para el polvo pueden limpiarse con agua caliente y jabonosa.
- ◆ Antes de volver a colocar los filtros y el recipiente para el polvo, asegúrese de que estén secos.

Sustitución de los filtros

Es necesario cambiar los filtros cada 6 ó 9 meses y cuando se gasten o se dañen.

Encontrará filtros de repuesto en el distribuidor Black & Decker más cercano:

Para los modelos: NV2410N, NV2420N, NV3610N, NV3620N, NV4820N, NV4820CN & NV7210N utilice el componente de filtro número FLVD10-XJ

Para los modelos: NW3620N y NW4820N utilice el componente de filtro número FLWD10-XJ

Mantenimiento

Este aparato o herramienta con o sin cable de Black & Decker se ha diseñado para que funcione durante un largo período de tiempo con un mantenimiento mínimo. El funcionamiento satisfactorio continuado depende de un cuidado apropiado y una limpieza periódica de la herramienta.

¡Atención! Antes de realizar el mantenimiento de herramientas eléctricas con o sin cables:

- ◆ Apague y desenchufe el aparato o herramienta.
- ◆ O bien, apague y extraiga las pilas o la batería del aparato o herramienta, en caso de que disponga de una batería separada.
- ◆ O bien, deje que la batería se agote por completo si es integral y, a continuación, apague el aparato.

- ◆ Desenchufe el cargador antes de limpiarlo. El cargador no requiere ningún mantenimiento especial excepto la limpieza periódica.
- ◆ Limpie periódicamente las ranuras de ventilación de la herramienta, aparato o cargador con un cepillo suave o un paño seco.
- ◆ Limpie periódicamente la carcasa del motor con un paño húmedo. No utilice limpiadores de base abrasiva o disolventes.

Protección del medio ambiente



Recogida selectiva. No se debe desechar este producto con el resto de residuos domésticos.

Si llegase el momento en que fuese necesario sustituir su producto Black & Decker o si este dejase de tener utilidad para usted, no lo deseche junto con los residuos domésticos. Sepárelo para su recogida selectiva.



La recogida selectiva de productos y embalajes usados permite el reciclaje de materiales y su reutilización. La reutilización de materiales reciclados contribuye a evitar la contaminación medioambiental y reduce la demanda de materias primas.

Las normativas municipales deben ofrecer la recogida selectiva de productos eléctricos del hogar, en puntos municipales previstos para tal fin o a través del distribuidor cuando adquiera un nuevo producto.

Black & Decker proporciona facilidades para la recogida y reciclado de los productos Black & Decker que han llegado al final de su vida útil. Para poder utilizar este servicio, le rogamos que entregue el producto a cualquier agente de servicio técnico autorizado para que se haga cargo de él en nuestro nombre.

Puede consultar la dirección de su agente de servicio técnico más cercano si se pone en contacto con la oficina local de Black & Decker en la dirección que se indica en este manual. Como alternativa, puede consultar la lista de servicios técnicos autorizados de Black & Decker y obtener la información completa de nuestros servicios de posventa y contactos en la siguiente dirección de Internet: www.2helpU.com

Batería



Para desechar este producto personalmente, debe extraer la batería como se describe a continuación y desecharla según la legislación aplicable.

- ◆ Se recomienda descargar la batería utilizando el aparato hasta que se detenga el motor.
- ◆ Pulse el botón de liberación del recipiente (2) y extraiga el recipiente para el polvo (3).
- ◆ Extraiga los cinco tornillos que mantienen unido el cuerpo del aparato.
- ◆ Aparte la tapa de la carcasa del montaje.
- ◆ Separe todas las conexiones de plomo de la batería.
- ◆ Extraiga la batería y ensamblado de motor.
- ◆ Ponga la batería y el ensamblado de motor en un embalaje adecuado para evitar el riesgo de que se produzca un cortocircuito con los terminales.
- ◆ Lleve la batería y el ensamblado de motor a su agente de reparaciones o a un centro de reciclaje local.

Una vez extraída, la batería no se puede volver a colocar.

Ficha técnica

		NV2410N (H1) NV2420N (H1)	NV3610N (H1) NV3620N (H1) NW3620N (H1)	NV4820N (H1) NW4820N (H1)	NV4820CN (H1)	NV7210N (H1)
Voltaje	V _{dc}	2.4	3.6	4.8	4.8	7.2
Pila	Tipo	NiMH	NiMH	NiMH	NiMH	NiMH
Peso	kg	0.66	0.74	0.77	0.8	0.86
Cargador		VA035015D BA035015D	VA050020D BA050020D	VA070015D BA070015D	SSC- 180008EU SSC- 180008UK	SSC- 180008EU SSC- 180008UK
Voltaje de entrada	V _{ac}	230	230	230	100-240	100-240
Voltaje de salida	V	3.5 _{ca}	5 _{ca}	7 _{ca}	27 _{cc}	27 _{dc}
Corriente	mA	150	200	150	85	85
Tiempo de carga aproximado	h	14	14	14	21	21
Peso	kg	0.2	0.21	0.2	0.06	0.06

Garantía

Black & Decker confía plenamente en la calidad de sus productos y ofrece una garantía extraordinaria. Esta declaración de garantía es un añadido, y en ningún caso un perjuicio para sus derechos legales. La garantía es válida dentro de los territorios de los Estados miembros de la Unión Europea y de los de la Zona Europea de Libre Comercio.

Si un producto Black & Decker resultara defectuoso debido a materiales o mano de obra defectuosos o a la falta de conformidad, Black & Decker garantiza, dentro de los 24 meses de la fecha de compra, la sustitución de las piezas defectuosas, la reparación de los productos sujetos a un desgaste y rotura razonables o la sustitución de tales productos para garantizar al cliente el mínimo de inconvenientes, a menos que:

- ◆ El producto se haya utilizado con propósitos comerciales, profesionales o de alquiler.
- ◆ El producto se haya sometido a un uso inadecuado o negligente.
- ◆ El producto haya sufrido daños causados por objetos o sustancias extrañas o accidentes.
- ◆ Se hayan realizado reparaciones por parte de personas que no sean del servicio técnico autorizado o personal de servicios de Black & Decker.

Para reclamar en garantía, será necesario que presente la prueba de compra al vendedor o al agente de servicio técnico autorizado. Puede consultar la dirección de su agente de servicio técnico más cercano si se pone en contacto con la oficina local de Black & Decker en la dirección que se indica en este manual. Como opción alternativa, puede consultar la lista de los agentes de servicio técnico autorizados de Black & Decker y obtener la información completa de nuestros servicios de posventa y los contactos disponibles en la siguiente dirección de Internet: www.2helpU.com

Visite el sitio web www.blackanddecker.es para registrar su nuevo producto Black & Decker y estar al día sobre productos y ofertas especiales. Encontrará información adicional sobre la marca Black & Decker y nuestra gama de productos en www.blackanddecker.es.

Utilização prevista

O seu aspirador portátil Black & Decker Dustbuster® foi concebido para limpezas leves de detritos líquidos e sólidos (NV2410N, NV2420N, NV3610N, NV3620N, NV4820N, NV4820CN & NV7210N). Este aparelho destina-se apenas a utilização doméstica.

O seu aspirador portátil Black & Decker Dustbuster® foi concebido para limpezas leves de detritos líquidos e sólidos (NW3620N & NW4820N). Este aparelho destina-se apenas a utilização doméstica.

Instruções de segurança



Atenção! Leia com atenção todos os avisos de segurança e instruções. O não cumprimento dos seguintes avisos e instruções pode resultar em choque eléctrico, incêndio e/ou graves lesões.



Atenção! Quando utilizar aparelhos alimentados a pilhas, deve cumprir determinadas medidas de segurança, incluindo as que se seguem, de modo a reduzir os riscos de incêndio, fugas nas pilhas, ferimentos pessoais e danos do material.

- ◆ Leia cuidadosamente o manual completo antes de utilizar este aparelho.
- ◆ A utilização prevista para este aparelho está descrita no manual. A utilização de qualquer acessório ou a realização de qualquer operação com este aparelho que não se inclua no presente manual de instruções poderá representar um risco de ferimentos pessoais.
- ◆ Conserve este manual para referência futura.

Utilização do aparelho

- ◆ Não utilize este aparelho para aspirar líquidos ou quaisquer materiais combustíveis.
- ◆ Não utilize este aparelho perto de água.
- ◆ Não mergulhe o aparelho em água.

- ◆ Nunca puxe pelo cabo do carregador para desligar o carregador da tomada. Mantenha o cabo do carregador afastado do calor, combustíveis e extremidades afiadas.
- ◆ Este aparelho pode ser utilizado por crianças com idade de 8 anos e superior e por pessoas que apresentem capacidades físicas, sensoriais ou mentais reduzidas ou que não possuam os conhecimentos e a experiência necessários se tiverem sido vigiadas e instruídas acerca da utilização do aparelho de uma forma segura e entendam os perigos envolvidos. As crianças não deverão mexer no aparelho. A limpeza e manutenção não deverão ser efectuadas por crianças sem supervisão.

Inspecção e reparações

- ◆ Antes da utilização, verifique o aparelho quanto a peças danificadas ou avariadas. Verifique se há peças partidas, danos nos interruptores ou outro tipo de condições que possam afectar o seu funcionamento.
- ◆ Não utilize o aparelho se alguma das peças se encontrar danificada ou avariada.
- ◆ Mandar reparar ou substituir quaisquer peças danificadas ou avariadas por um agente de reparação autorizado.
- ◆ Verifique regularmente se existem danos no cabo do carregador. Substitua o carregador se o cabo estiver danificado ou com defeitos.
- ◆ Nunca tente retirar ou substituir quaisquer peças que não as especificadas neste manual.

Instruções de segurança adicionais

Riscos residuais.

Podem surgir riscos residuais adicionais durante a utilização da ferramenta que poderão não constar nos avisos de segurança incluídos. Estes riscos podem resultar de má utilização, uso prolongado, etc.

Mesmo com o cumprimento dos regulamentos de segurança relevantes e com a implementação de dispositivos de segurança, alguns riscos residuais não podem ser evitados. Estes riscos incluem:

- Ferimentos causados pelo contacto com peças em movimento.
- Ferimentos causados pelo contacto com peças quentes.
- Ferimentos causados durante a troca de peças ou acessórios.
- Ferimentos causados pela utilização prolongada do aparelho. Quando utilizar um aparelho durante um período prolongado, faça intervalos regulares.

Baterias e carregadores

Baterias

- Nunca tente abrir a bateria por motivo algum.
- Não exponha a bateria à água.
- Não exponha a bateria ao calor.
- Não armazene em locais onde a temperatura possa exceder os 40°C.
- Carregue apenas a temperaturas ambiente entre 10 °C e 40 °C.
- Carregue apenas com o carregador fornecido com o aparelho/ferramenta. A utilização do carregador errado pode resultar em choque eléctrico ou sobreaquecimento da bateria.
- Quando eliminar as baterias, siga as instruções da secção "Protecção do ambiente".
- Não danifique a bateria por perfuração ou impacto, pois poderá originar risco de ferimentos e incêndio.
- Não carregue baterias danificadas.
- Em condições extremas, pode ocorrer uma fuga nas baterias. Se detectar a fuga de líquido das baterias, limpe o líquido cuidadosamente com um pano. Evite o contacto com a pele.

- ◆ Em caso de contacto com a pele ou com os olhos, siga as instruções seguintes.

Atenção! O fluido da bateria pode causar ferimentos pessoais ou danos materiais. Em caso de contacto com a pele, enxagúe imediatamente com água. Em caso de vermelhidão, dor ou irritação, contacte um médico. Em caso de contacto com os olhos, enxagúe imediatamente com água limpa e contacte um médico.

Carregadores

O seu carregador foi concebido para uma tensão específica. Verifique sempre se a tensão de alimentação corresponde à tensão indicada na placa de especificações.

Atenção! Nunca tente substituir a unidade do carregador por uma tomada normal de alimentação.

- ◆ Utilize o seu carregador Black & Decker apenas para carregar a bateria do aparelho/ferramenta com que foi fornecido. Outras baterias podem rebentar, provocando ferimentos e danos.
- ◆ Nunca tente carregar baterias não recarregáveis.
- ◆ Se o cabo de alimentação estiver danificado, terá de ser substituído pelo fabricante ou por um centro de assistência autorizado Black & Decker para evitar acidentes.
- ◆ Não exponha o carregador à água.
- ◆ Não abra o carregador.
- ◆ Não manipule o interior do carregador.
- ◆ O aparelho/ferramenta/bateria deve ser colocado numa área com boa ventilação durante o carregamento.

Segurança eléctrica

O seu carregador foi concebido para uma tensão específica. Verifique sempre se a tensão de alimentação corresponde à tensão indicada na placa de especificações. Nunca tente substituir a unidade do carregador por uma tomada normal de alimentação.

Símbolos no carregador



Leia cuidadosamente o manual completo antes de utilizar este aparelho.



Esta ferramenta tem um isolamento duplo e, por isso, não é necessário um fio de terra. Verifique sempre se a fonte de alimentação corresponde à tensão indicada na placa de especificações.



Transformador com isolamento de segurança contra curto-circuito. A alimentação está electricamente separada da saída do transformador.



O carregador desliga-se automaticamente se a temperatura se tornar demasiado elevada. Consequentemente o carregador fica inoperável. A base de carregamento deve ser desligada da alimentação e encaminhada para reparação num centro de serviço autorizado.



A base de carga destina-se exclusivamente a uma utilização no interior.

Características

Esta ferramenta inclui algumas ou todas as seguintes características.

1. Interruptor para ligar/desligar
2. Botão de desbloqueio do depósito
3. Depósito de poeiras
4. Carregador
5. Suporte de carregamento

Fig. A

6. Filtro em tecido de recolha de resíduos secos (apenas NV2410N, NV2420N, NV3610N, NV3620N, NV4820N, NV4820CN & NV7210N)
7. Pré-filtro (apenas NV2410N, NV2420N, NV3610N, NV3620N, NV4820N, NV4820CN & NV7210N)
8. Acessório em espuma para resíduos líquidos/secos (apenas NW3620N e NW4820N)
9. Deflector de resíduos líquidos/secos (apenas NW3620N e NW4820N)

Fig. B

10. Utensílio de rolo de borracha (apenas NW3620N e NW4820N)
11. Acessório de escova (apenas NV2420N, NV3620N, NV4820N e NV4820CN)
12. Acessório de ponta chata (apenas NV2420N, NV3620N, NV4820N e NV4820CN)

Nota: Os acessórios podem ser armazenados, equipando-os para a frente do aparelho. Para os modelos que são fornecidos tanto com um pincel e uma ferramenta de fenda, primeiro encaixar o pincel na parte frontal do aparelho, em seguida, encaixar o bico para a escova para o armazenamento.

Instalação

Montagem na parede (fig. C)

O aparelho pode ser fixado na parede para proporcionar uma arrumação e um ponto de carga do aparelho práticos.

Ao fixar o aparelho numa parede, certifique-se de que o método de fixação é adequado ao tipo de parede e ao peso do aparelho.

- ◆ Marque o local dos orifícios dos parafusos (ao alcance de uma tomada eléctrica para carregar o aspirador quando este se encontra no suporte de parede).
- ◆ Fixe o aparelho na parede utilizando parafusos e buchas adequados ao tipo de parede e ao peso do aparelho.
- ◆ Pendure o suporte na parede colocando a abertura da base do aspirador sobre os ganchos do suporte de carga de parede.

Montagem

Acessórios (fig. B)

Estes modelos podem ser fornecidos com alguns dos seguintes acessórios:

- ◆ Uma ferramenta de rolo de borracha (10) para utilização em líquidos em superfícies rígidas.
- ◆ Um acessório de escova (11) para mobílias e escadas.
- ◆ Um acessório de ponta chata (12) para espaços exíguos.

Instalação (Fig. D)

- ◆ Introduza o acessório adequado na parte frontal do aparelho, tal como ilustrado. Certifique-se de que o acessório está completamente introduzido.

Utilização

- ◆ Antes da primeira utilização, a bateria deve ser carregada durante, pelo menos, 24 horas.
- ◆ Coloque o aparelho no suporte de carga quando este não estiver a ser utilizado.

Atenção! Para evitar danos no aparelho, antes de carregar certifique-se de que este não contém líquidos e que está seco.

Carregar a bateria (Fig. C)

- ◆ Certifique-se de que o aparelho está desligado. A bateria não carrega com o interruptor para ligar/desligar na posição ON.
- ◆ Coloque o aparelho no suporte de carga (5).
- ◆ Ligue o carregador. Ligue à corrente.
- ◆ Deixe o aparelho a carregar pelo menos 21 horas.

Ao carregar, o carregador pode aquecer. Isto é normal e não indicia qualquer problema. O aparelho pode ser deixado sempre ligado ao carregador.

Atenção! Não carregue a bateria a temperaturas ambientes abaixo de 10 °C ou acima de 40 °C.

Nota: Verifique se o aparelho está totalmente encaixado na base de carregamento. Se o aparelho não está totalmente encaixado em seguida, o aparelho não irá cobrar.

Ligar e desligar (fig. E)

- ◆ Para ligar o aparelho, faça deslizar para a frente o interruptor ligar/desligar (1) para a posição 1.
- ◆ Para desligar o aparelho, faça deslizar para trás o interruptor ligar/desligar (1) para a posição 0.

Recolha de resíduos secos (apenas NV2410N, NV2420N, NV3610N, NV3620N, NV4820N, NV4820CN & NV7210N)

- ◆ Para uso diário em resíduos secos.

Recolha de resíduos líquidos e secos (apenas NW3620N e NW4820N)

- ◆ Para a utilização diária em resíduos secos, utilize o aparelho sem o acessório de rolo de borracha.

Atenção! Este produto foi concebido apenas para pequenas sujidades.

- ◆ Este equipamento também pode ser utilizado para a recolha diária de resíduos líquidos. Utilize o acessório de rolo de borracha em superfícies rígidas não absorventes. Em superfícies absorventes, tais como alcatifas, o seu aparelho recolhe derrames de líquidos sem o acessório.
- ◆ Para um melhor desempenho de recolha de líquidos em superfícies rígidas, insira o acessório de rolo de borracha na abertura do bocal do depósito.
- ◆ Para melhores resultados ao utilizar este acessório, mantenha o aparelho a um ângulo de 45° e puxe-o lentamente na sua direcção.
- ◆ Não encha o depósito acima do limite do cano de entrada. Em caso de existência de líquidos no depósito, não vire a unidade ao contrário, não incline, não aponte o bocal para cima nem abane excessivamente o aspirador.
- ◆ Depois de recolher resíduos líquidos, limpe o depósito e o filtro imediatamente. Se a unidade não for limpa após a recolha de líquidos, poderá formar-se bolor e mofo.
- ◆ Para evitar danos no aparelho, antes de carregar certifique-se de que este não contém líquidos e que está seco.

Optimizar a potência de sucção

Para garantir uma potência de sucção otimizada, os filtros devem ser limpos regularmente durante a utilização.

Esvaziar e limpar o aparelho.

Remover o depósito de poeiras e os filtros (fig. F & G).

Atenção! Os filtros são reutilizáveis e devem ser limpos regularmente.

- ◆ Pressione o botão de desbloqueio do depósito (2) e retire o depósito de poeiras (3).
- ◆ Segurando o depósito de poeiras sobre um caixote do lixo ou lavatório, retire o filtro para limpar o conteúdo do depósito.
- ◆ Para voltar a montar o depósito de poeiras, coloque-o novamente no manípulo até este ficar fixo na posição correcta.

Atenção! Nunca utilize o aparelho sem filtros. Só será obtida uma excelente recolha das poeiras com os filtros limpos.

Acessório em espuma (fig. H) (apenas NW3620N e NW4820N)

- ◆ Coloque o acessório em espuma (8) no centro do deflector de resíduos secos/líquidos (9).

Atenção! Nunca utilize o aparelho para aplicação em líquidos sem o deflector de líquidos e o acessório em espuma instalados.

Pré-filtro (fig. I) (apenas NV2410N, NV2420N, NV3610N, NV3620N, NV4820N, NV4820CN & NV7210N)

O filtro e o pré-filtro podem ser separados para permitir uma limpeza mais eficaz.

- ◆ Rode o pré-filtro (7) no sentido contrário ao dos ponteiros do relógio e retire-o do filtro (6).

Limpar os compartimentos de poeiras e os filtros

- ◆ Os depósitos de poeiras e os filtros podem ser lavados em água tépida com sabão.
- ◆ Antes de reinstalar, certifique-se de que os filtros e o depósito de poeiras estão secos.

Substituição dos filtros

Os filtros deverão ser substituídos a cada 6 a 9 meses e sempre que estiverem gastos ou danificados.

Os filtros para substituição estão disponíveis junto do seu revendedor Black & Decker. Para os modelos: NV2410N, NV2420N, NV3610N, NV3620N, NV4820N, NV4820CN & NV7210N utilize filtros com o número de peça FLVD10-XJ

Para os modelos: NW3620N e NW4820N utilize filtros com o número de peça FLWD10-XJ

Manutenção

O seu aparelho/ferramenta Black & Decker com/sem fios foi concebido para funcionar durante um longo período de tempo com uma manutenção mínima. Um funcionamento contínuo e satisfatório depende de uma manutenção adequada e da limpeza regular da ferramenta.

Atenção! Antes de proceder a qualquer acção de manutenção em ferramentas eléctricas com/sem fios:

- ◆ Desligue o aparelho/ferramenta e retire a respectiva ficha da tomada.
- ◆ Ou desligue e remova a bateria do aparelho/ferramenta caso o aparelho/ferramenta tenha uma bateria individual.
- ◆ Ou deixe a bateria descarregar completamente se estiver incorporada e, em seguida, desligue-a.
- ◆ Desligue o carregador antes de o limpar. O seu carregador não necessita de manutenção para além da limpeza regular.
- ◆ Limpe regularmente as aberturas de ventilação do aparelho/ferramenta/carregador com uma escova suave ou um pano seco.
- ◆ Limpe regularmente o compartimento do motor com um pano húmido. Não utilize produtos de limpeza abrasivos ou à base de solventes.

Protecção do ambiente



Recolha separada. Este produto não pode ser eliminado juntamente com os resíduos domésticos normais.

Se, em algum momento, for necessário substituir este produto Black & Decker ou se este deixar de ter utilidade, não elimine o produto num caixote do lixo. Este produto pode ser separado para reciclagem.



A recolha separada de produtos e embalagens usados permite que os materiais sejam reciclados e reutilizados. A reutilização de materiais reciclados ajuda a evitar a poluição ambiental e reduz a procura de matérias-primas.

A legislação local poderá prever a recolha separada de produtos domésticos eléctricos, seja em lixeiras municipais ou através do revendedor quando adquire um produto novo.

A Black & Decker dispõe de instalações para recolha e reciclagem de produtos Black & Decker quando estes atingem o fim da vida útil. Para usufruir deste serviço, devolva o produto em qualquer agente de reparação autorizado, que os recolherá em seu nome.

Pode verificar a localização do agente de reparação autorizado mais perto de si, contactando os escritórios locais da Black & Decker através do endereço indicado neste manual. Se preferir, está disponível na Internet uma lista de agentes de reparação autorizados Black & Decker, com os contactos e detalhes completos do serviço pós-venda, no endereço: www.2helpU.com

Bateria



Se pretender eliminar o produto, deverá remover a bateria tal como descrito abaixo, eliminando-a de acordo com os regulamentos locais.

- ◆ É preferível descarregar a bateria colocando o aparelho em funcionamento até o motor parar.
- ◆ Pressione o botão de desbloqueio do depósito (2) e remova o depósito de poeiras (3).
- ◆ Retire os cinco parafusos que fixam a estrutura do aparelho.
- ◆ Retire a tampa protectora do aparelho.
- ◆ Retire todas as ligações do sistema da bateria.
- ◆ Remova o conjunto da bateria e motor.
- ◆ Coloque a o conjunto da bateria e motor numa embalagem adequada, certificando-se de que os terminais não entram em curto-circuito.
- ◆ Leve o conjunto da bateria e motor ao seu agente de manutenção ou a uma estação de reciclagem local.

Depois de removida, a bateria não pode ser reinserida.

Dados técnicos

		NV2410N (H1) NV2420N (H1)	NV3610N (H1) NV3620N (H1) NW3620N (H1)	NV4820N (H1) NW4820N (H1)	NV4820CN (H1)	NV7210N (H1)
Tensão	V _{dc}	2.4	3.6	4.8	4.8	7.2
Bateria	Tipo	NiMH	NiMH	NiMH	NiMH	NiMH
Peso	kg	0.66	0.74	0.77	0.8	0.86

		NV2410N (H1) NV2420N (H1)	NV3610N (H1) NV3620N (H1) NW3620N (H1)	NV4820N (H1) NW4820N (H1)	NV4820CN (H1)	NV7210N (H1)
Carregador		VA035015D BA035015D	VA050020D BA050020D	VA070015D BA070015D	SSC- 180008EU SSC- 180008UK	SSC- 180008EU SSC- 180008UK
Tensão de entrada	V _{ac}	230	230	230	100-240	100-240
Tensão de saída	V	3,5 _{ac}	5 _{ac}	7 _{ac}	27 _{dc}	27 _{dc}
Corrente	mA	150	200	150	85	85
Tempo de carga aproximado	h	14	14	14	21	21
Peso	kg	0.2	0.21	0.2	0.06	0.06

Garantia

A Black & Decker confia na qualidade dos seus produtos e oferece uma garantia excelente. Esta declaração de garantia é um complemento dos seus direitos estabelecidos por lei, não os prejudicando de forma alguma. A garantia é válida nos territórios dos Estados Membros da União Europeia e da Associação Europeia de Comércio Livre.

Se um produto Black & Decker avariar devido a defeitos de material, fabrico ou não conformidade, num período de 24 meses após a data da compra, a Black & Decker garante a substituição das peças defeituosas, a reparação de produtos sujeitos a um desgaste aceitável ou a substituição dos mesmos para garantir o mínimo de inconvenientes ao cliente, excepto se:

- ◆ o produto tiver sido utilizado para fins comerciais, profissionais ou de aluguer;
- ◆ o produto tiver sido submetido a utilização indevida ou negligência;
- ◆ o produto tiver sido danificado por objectos ou substâncias estranhos, bem como acidentes;
- ◆ tiverem sido tentadas reparações por pessoas que não sejam agentes de reparação autorizados ou técnicos de manutenção da Black & Decker.

Para accionar a garantia, terá de apresentar comprovativos de compra ao vendedor ou a um agente de reparação autorizado. Pode verificar a localização do agente de reparação autorizado mais perto de si, contactando os escritórios locais da Black & Decker através do endereço indicado neste manual. Se preferir, está disponível na Internet uma lista de agentes de reparação autorizados Black & Decker, com os contactos e detalhes completos do serviço pós-venda, no endereço: www.2helpU.com

Visite o nosso website www.blackanddecker.pt para registar o novo produto Black & Decker e manter-se actualizado relativamente a novos produtos e ofertas especiais. Pode encontrar mais informações sobre a marca Black & Decker e sobre a nossa gama de produtos em www.blackanddecker.pt

Användningsområde

Din Black & Decker Dustbuster®-handdamsugare är avsedd för lättare torrdamsugning (NV2410N, NV2420N, NV3610N, NV3620N, NV4820N, NV4820CN & NV7210N). Apparaten är endast avsedd för hemmabruk.

Din handdamsugare från Black & Decker Dustbuster® är avsedd för lättare torrdamsugning och uppsugning av mindre vätskemängder (NW3620N och NW4820N). Apparaten är endast avsedd för hemmabruk.

Säkerhetsanvisningar



Varning! Läs alla säkerhetsföreskrifter och alla anvisningar.

Fel som uppstår till följd av att säkerhetsföreskrifterna och anvisningarna nedan inte följts kan orsaka elstötar, brand och/eller allvarliga kroppsskador.



Varning! Vid användning av batteridrivna redskap ska grundläggande säkerhetsföreskrifter, inklusive följande föreskrifter, alltid följas. Detta för att minska risken för brand, läckande batterier, personskador och materiella skador.

- Läs hela den här bruksanvisningen noggrant innan du använder apparaten.
- Användningsområdet beskrivs i den här bruksanvisningen. Användning av andra tillbehör eller tillsatser eller andra åtgärder som utförs med redskapet än de som rekommenderas i den här bruksanvisningen kan leda till personskador.
- Spara den här bruksanvisningen för framtida bruk.

Använda redskapet

- Använd inte redskapet för att suga upp vätskor eller material som kan fatta eld.
- Använd inte redskapet i närheten av vatten.
- Doppa aldrig redskapet i vatten.
- Dra aldrig i sladden till laddaren när du drar ut den från vägguttaget. Håll sladden till laddaren borta från värme, olja och vassa kanter.

- ◆ Verktøget kan användas av barn från åtta år och personer med nedsatt fysisk eller psykisk förmåga eller bristande erfarenhet eller kunskap, om de får vägledning på ett säkert sätt och förstår farorna med det. Barn ska inte leka med apparaten. Rengöring och användarunderhåll ska inte göras av barn utan övervakning.

Kontroll och reparationer

- ◆ Kontrollera att apparaten är hel och att den inte innehåller några skadade delar innan du använder den. Kontrollera att inga delar är trasiga, att strömbrytaren fungerar och att inget annat föreligger som kan påverka redskapets funktion.
- ◆ Använd inte redskapet om någon del har skadats eller gått sönder.
- ◆ Reparera eller byt ut skadade eller trasiga delar på en auktoriserad verkstad.
- ◆ Kontrollera regelbundet att sladden till laddaren inte har skadats. Byt ut laddaren om sladden är skadad eller trasig.
- ◆ Försök aldrig avlägsna eller byta ut andra delar än de som anges i den här bruksanvisningen.

Ytterligare säkerhetsinstruktioner

Övriga risker.

Ytterligare risker som inte finns med i de bifogade säkerhetsanvisningarna kan uppstå när verktøget används. Dessa risker kan uppstå vid felaktig användning, långvarig användning, o.s.v.

Aven om alla relevanta säkerhetsföreskrifter följs och säkerhetsanordningar används kan vissa ytterligare risker inte undvikas. Dessa innefattar:

- ◆ Skador orsakade av att rörliga delar vidrörs.
- ◆ Skador orsakade av att varma delar vidrörs.
- ◆ Skador som uppstår vid byte av delar eller tillbehör.
- ◆ Skador som orsakas av långvarig användning av apparaten. Se till att ta regelbundna pauser när du använder en apparat under en längre period.

Batteri och laddare

Batterier

- Försök aldrig att öppna batterierna.
- Utsätt inte batteriet för vatten.
- Utsätt inte batteriet för värme.
- Förvara inte apparaten på platser där temperaturen kan bli högre än 40 °C.
- Ladda endast vid lufttemperaturer mellan 10 °C och 40 °C.
- Ladda endast med hjälp av laddaren som medföljer apparaten. Användning av fel laddare kan resultera i en elektrisk stöt eller att batteriet överhettas.
- Följ instruktionerna i avsnittet "Miljö" när du gör dig av med batterier.
- Skydda batteriet från skador/deformeringar i form av slag och stötar eftersom det kan leda till personskador eller eldsvåda.
- Ladda inte skadade batterier.
- Under extrema förhållanden kan batterierna läcka. Om det finns vätska på batterierna ska du torka bort vätskan försiktigt med en trasa. Undvik hudkontakt.
- Följ instruktionerna nedan vid kontakt med hud eller ögon.

Varning! Batterivätskan kan orsaka person- eller materialskador. Vid hudkontakt, skölj genast med vatten. Vid rodnader, smärta eller irritation ska läkare uppsökas. Vid kontakt med ögon, skölj genast med rent vatten, och uppsök läkare.

Laddare

Laddaren är avsedd för en viss spänning. Kontrollera alltid att nätspänningen överensstämmer med värdet på typskylten.

Varning! Försök aldrig byta ut kontakten till laddaren mot en vanlig kontakt.

- ◆ Använd laddaren från Black & Decker endast för att ladda batteriet i den apparat som laddaren levererades med. Andra batterier kan spricka och orsaka personskador och andra skador.
- ◆ Försök aldrig ladda batterier som inte är uppladdningsbara.
- ◆ Om nätsladden är skadad måste den bytas ut av tillverkaren eller en auktoriserad Black & Decker-verkstad för att undvika fara.
- ◆ Utsätt inte laddaren för vatten.
- ◆ Öppna inte laddaren.
- ◆ Gör ingen åverkan på laddaren.
- ◆ Redskapet/verkyget/batteriet ska placeras på en plats med god ventilation vid laddning.

Elsäkerhet

Laddaren är avsedd för en viss spänning. Kontrollera alltid att nätspänningen överensstämmer med värdet på typskylten. Försök aldrig byta ut kontakten till laddaren mot en vanlig kontakt.

Symboler på laddaren



Läs hela den här bruksanvisningen noggrant innan du använder apparaten.



Eftersom redskapet är dubbelisolerat behövs ingen jordledare. Kontrollera alltid att nätspänningen överensstämmer med värdet på typskylten.



Kortslutningssäker säkerhetsisoleringstransformator. Elnätet är elektriskt avskilt från transformatorns utgång.



Laddaren stängs av automatiskt om temperaturen blir för hög. Den går då inte längre att använda. Laddaren måste kopplas från eluttaget och tas till en auktoriserad verkstad för reparation.



Laddaren är endast avsedd för användning inomhus.

Funktioner

Denna apparat har några eller samtliga av följande funktioner.

1. Strömbrytare
2. Låsknapp för behållare
3. Dammbehållare
4. Laddare
5. Laddningsfäste

Fig. A

6. Tygfilter för torrsugning (endast NV2410N, NV2420N, NV3610N, NV3620N, NV4820N, NV4820CN & NV7210N)
7. Förfilter (endast NV2410N, NV2420N, NV3610N, NV3620N, NV4820N, NV4820CN & NV7210N)
8. Skumplastinsats, våt-/torrsugning (endast NW3620N och NW4820N)
9. Våt-/torrskydd (endast NW3620N och NW4820N)

Fig. B

10. Gummiskrapa (endast NW3620N och NW4820N)
11. Borstmunstycke (endast NV2420N, NV3620N, NV4820N och NV4820CN)
12. Elementmunstycke (endast NV2420N, NV3620N, NV4820N och NV4820CN)

Obs: Tillbehören kan förvaras genom att passa in dem i den främre delen av apparaten. För modeller som levereras med både en borste och en fogmunstycke först passa borsten på framsidan av apparaten och sedan montera fogmunstycke in borsten för lagring.

Installation

Väggmontering (fig. C)

Produkten kan monteras på en vägg för att du enkelt ska kunna förvara och ladda apparaten.

Om du monterar den på väggen ska du göra det på ett sätt som är lämpligt för väggtypen och för apparatens vikt.

- ◆ Markera platsen för skruvhålen (inom räckhåll från ett eluttag så att apparaten kan laddas medan den sitter i väggfästet).
- ◆ Montera fästet på väggen med lämpliga skruvar och pluggar för väggtypen och för apparatens vikt.
- ◆ Häng upp redskapet på väggen genom att placera basplattans öppning över krokarna på väggfästet.

Montering

Tillbehör (fig. B)

De här modellerna kan levereras med några av följande tillbehör:

- ◆ En gummiskrapa (10) för användning på våta och hårda ytor.
- ◆ Ett borstmunstycke (11) för möbler och trappor.
- ◆ Ett elementmunstycke (12) för trånga utrymmen.

Montering (Fig. D)

- ◆ Montera tillbehöret längst fram på apparaten. Se till att tillbehöret är helt inskjutet.

Användning

- ◆ Innan apparaten används första gången måste batteriet laddas i minst 24 timmar.
- ◆ Placera apparaten i laddningsfästet när den inte används.

Varning! Innan laddning ska du se till att tömma ut all vätska och torka apparaten noggrant så att den inte skadas.

Ladda batteriet (Fig. C)

- ◆ Kontrollera att apparaten är avstängd. Batteriet laddas inte om strömbrytaren är påslagen.
- ◆ Placera apparaten i laddningsfästet (5).
- ◆ Anslut laddaren. Slå på eluttaget.
- ◆ Låt apparaten laddas i minst 21 timmar.

Medan apparaten laddas kan laddaren bli varm. Det är normalt och innebär inte att något är fel. Apparaten kan lämnas ansluten till laddaren hur länge som helst.

Varning! Ladda inte batteriet om lufttemperaturen är lägre än 10 °C eller högre än 40 °C.

Obs: Se till att apparaten sitter ordentligt på laddaren. Om apparaten inte sitter ordentligt då apparaten inte kommer att debitera.

Slå på och av (fig. E)

- ◆ Slå på apparaten genom att dra fram strömbrytaren (1) till position 1.
- ◆ Slå av apparaten genom att dra tillbaka strömbrytaren (1) till position 0.

Torr sugning (endast NV2410N, NV2420N, NV3610N, NV3620N, NV4820N, NV4820CN & NV7210N)

- ◆ För dagliga mängder av torrt material.

Våt- och torrsugning (endast NW3620N och NW4820N)

- ◆ För normala mängder av torrt material använder du apparaten utan gummiskrapan.

Varning! Din produkt är endast avsedd att användas för uppsugning av små mängder.

- ◆ Det här redskapet kan också användas för uppsugning av normala vätskemängder. Använd gummiskrapan på icke-absorberande hårda ytor. På absorberande ytor, t.ex. mattor, blir vätskeuppsugningsförmågan bättre om apparaten används utan gummiskrapan.
- ◆ Bäst prestanda för vätsugning på hårda ytor får du genom att sätta fast gummiskrapan i behållarens munstycke.
- ◆ För bästa resultat med gummiskrapan bör apparaten hållas i 45° vinkel. Dra sedan apparaten långsamt mot dig.
- ◆ Fyll inte behållaren över änden på inloppet. Vänd inte enheten upp och ned eller i sidled, vänd inte munstycket uppåt och skaka inte redskapet för hårt om det finns vätska i behållaren.
- ◆ Rengör omedelbart redskapet och filtret efter att du har sugit upp vätska. Mögel och mjöldagg kan bildas om enheten inte rengörs ordentligt efter vätsugning.
- ◆ Innan laddning ska du se till att tömma ut all vätska och torka apparaten noggrant så att den inte skadas.

Optimera sugkraften

Filtren bör rengöras regelbundet för att optimera sugkraften.

Tömma och rengöra produkten.

Ta bort dammbehållaren och filtren (fig. F & G).

Varning! Filtren kan återanvändas och bör rengöras med jämna mellanrum.

- ◆ Tryck på låsknappen för behållaren (2) och ta bort dammbehållaren (3).
- ◆ Medan du håller dammbehållaren över en soptunna eller ett handfat drar du ut filtret och tömmer ut innehållet i behållaren.
- ◆ Sätt tillbaka dammbehållaren genom att trycka på den på handtaget tills den "klickar" på plats ordentligt.

Varning! Använd aldrig apparaten utan filtren. Dammsugningen fungerar bäst med rena filter.

Skumplastinsats (fig. H) (endast NW3620N och NW4820N)

- ◆ Sätt in skumplastinsatsen (8) i mitten av våt-/torrskyddet (9).

Varning! Använd aldrig apparaten för våta arbeten om inte vattenskyddet och skumplastskyddet är monterat.

Förfilter (fig. I) (endast NV2410N, NV2420N, NV3610N, NV3620N, NV4820N, NV4820CN & NV7210N)

Filtret och förfiltret kan separeras för bättre rengöring.

- ◆ Vrid förfiltret (7) moturs och ta av det från filtret (6).

Rengöra dammbehållarna och filtren

- ◆ Dammbehållarna och filtren kan tvättas i varmt tvålatten.
- ◆ Se till att filtren och dammbehållaren är torra innan återmonteringen.

Byta filtren

Filtren bör bytas ut var sjätte till nionde månad eller om de är utslitna eller trasiga.

Filter finns att köpa hos din Black & Decker-återförsäljare:

För modell: NV2410N, NV2420N, NV3610N, NV3620N, NV4820N, NV4820CN & NV7210N använd filterreservdelsnummer FLVD10-XJ

För modell: NW3620N och NW4820N använder du filterreservdelsnummer FLWD10-XJ

Underhåll

Den här Black & Decker-apparaten (med eller utan sladd) är konstruerad för att fungera under lång tid med minsta möjliga underhåll. Med rätt underhåll och regelbunden rengöring behåller verktyget sin prestanda.

Varning! Innan något underhåll utförs på elektriska redskap med eller utan sladd:

- ◆ Stäng av redskapet/verktyget och dra ur nätkontakten.
- ◆ Du kan också ta ut batteriet ur redskapet om redskapet har ett separat batteri.
- ◆ Om batteriet är inbyggt låter du det laddas ur helt innan avstängningen.
- ◆ Dra ur sladden till laddaren innan du rengör den. Laddaren behöver inget annat underhåll än regelbunden rengöring.
- ◆ Rengör regelbundet redskapets/verktygets/laddarens luftintag med en mjuk borste eller torr trasa.
- ◆ Rengör kåpan regelbundet med en fuktig trasa. Använd aldrig rengöringsmedel med lösnings- eller slipmedel.

Skydda miljön



Separat insamling. Produkten får inte kastas i hushållssoporna.

Tänk på miljön när du slänger denna Black & Decker-produkt. Släng den inte tillsammans med hushållsavfallet. Lämna produkten för separat insamling.



Insamling av uttjänta produkter och förpackningsmaterial gör att material kan återanvändas. Användning av återvunnet material minskar föroreningar av miljön och behovet av råmaterial.

Lokala föreskrifter kan kräva separat insamling av elprodukter från hushållen, vid kommunala insamlingsplatser eller hos återförsäljaren när du köper en ny produkt.

Black & Decker samlar in och återvinner uttjänta Black & Decker-produkter. Om du vill utnyttja denna tjänst återlämnar du produkten till en auktoriserad verkstad, som samlar in den för vår räkning.

För information om närmaste auktoriserade verkstad, kontakta det lokala Black & Decker-kontoret på den adress som är angiven i bruksanvisningen. En lista över alla auktoriserade Black & Decker-verkstäder samt servicevillkor finns på Internet: www.2helpU.com

Batteri



Om du vill skrota produkten själv måste batteriet tas bort enligt nedan och kastas enligt lokala bestämmelser.

- ◆ Du bör tömma batteriet genom att låta dammsugaren vara påslagen tills motorn stannar.
 - ◆ Tryck på låsknappen för dammbehållaren (2) och ta loss dammbehållaren (3).
 - ◆ Ta bort de fem skruvarna som håller ihop apparatens hölje.
 - ◆ Lyft bort kåpan från enheten.
 - ◆ Lossa alla anslutningar från batteriet.
 - ◆ Ta bort batteri och motorenhet.
 - ◆ Packa in batteriet och motorenheten så att polerna inte kan kortslutas.
 - ◆ Ta med batteriet och motorenheten till en verkstad eller en återvinningsstation.
- När batteriet har tagits ur går det inte att sätta tillbaka det.

Tekniska data

		NV2410N (H1) NV2420N (H1)	NV3610N (H1) NV3620N (H1) NW3620N (H1)	NV4820N (H1) NW4820N (H1)	NV4820CN (H1)	NV7210N (H1)
Spänning	V_{dc}	2.4	3.6	4.8	4.8	7.2
Batteri	Typ	NiMH	NiMH	NiMH	NiMH	NiMH
Vikt	kg	0.66	0.74	0.77	0.8	0.86

		NV2410N (H1) NV2420N (H1)	NV3610N (H1) NV3620N (H1) NW3620N (H1)	NV4820N (H1) NW4820N (H1)	NV4820CN (H1)	NV7210N (H1)
Laddare		VA035015D BA035015D	VA050020D BA050020D	VA070015D BA070015D	SSC- 180008EU SSC- 180008UK	SSC- 180008EU SSC- 180008UK
Inspänning	V _{ac}	230	230	230	100-240	100-240
Utspänning	V	3.5 _{ac}	5 _{ac}	7 _{ac}	27 _{dc}	27 _{dc}
Strömstyrka	mA	150	200	150	85	85
Ungefärlig laddningstid	tim	14	14	14	21	21
Vikt	kg	0.2	0.21	0.2	0.06	0.06

Garanti

Black & Decker garanterar att produkten är fri från material- och/eller fabriktionsfel vid leverans till kund. Garantin gäller utöver konsumentens rättigheter enligt lag och påverkar inte dessa. Garantin gäller inom medlemsstaterna i Europeiska Unionen och i det Europeiska Frihandelsområdet.

Om en Black & Decker-produkt går sönder på grund av material- och/eller fabriktionsfel eller brister i överensstämmelse med specifikationen, inom 24 månader från köpet, åtar sig Black & Decker att reparera eller byta ut produkten med minsta besvär för kunden, förutom om:

- ◆ Produkten har använts i kommersiellt eller yrkesmässigt syfte eller i uthyrningssyfte.
- ◆ Produkten har utsatts för felaktig användning eller skötsel.
- ◆ Produkten har skadats av främmande föremål, ämnen eller genom olyckshändelse.
- ◆ Reparation har utförts av någon annan än en auktoriserad Black & Decker-verkstad.

Vid garantianspråk ska produkten och inköpskvittot lämnas till återförsäljaren eller till en auktoriserad verkstad. För information om närmaste auktoriserade verkstad, kontakta det lokala Black & Decker-kontoret på den adress som är angiven i bruksanvisningen. En lista över alla auktoriserade Black & Decker-verkstäder samt fullständiga servicevilkor och kontaktuppgifter finns på Internet: www.2helpU.com

Besök vår webbplats www.blackanddecker.se för att registrera din nya Black & Decker-produkt samt för att erhålla information om nya produkter och specialerbjudanden. Vidare information om märket Black & Decker och vårt produktsortiment återfinns på www.blackanddecker.se

Bruksområde

Den håndholdte støvsugerer Dustbuster® fra Black & Decker er konstruert for lett støvsuging på tørre overflater (NV2410N, NV2420N, NV3610N, NV3620N, NV4820N, NV4820CN & NV7210N). Apparatet er bare beregnet for bruk i hjemmet.

Den håndholdte støvsugerer Dustbuster® fra Black & Decker er konstruert for lett støvsuging på våte og tørre overflater (NW3620N og NW4820N). Apparatet er bare beregnet for bruk i hjemmet.

Sikkerhetsinstruksjoner



Advarsel! Les alle sikkerhetsadvarslar og alle instruksjoner. Hvis advarslene og anvisningene nedenfor ikke overholdes, kan det medføre elektrisk støt, brann og/eller alvorlige personskader.



Advarsel! Når du bruker batteridrevne apparater, må du ta grunnleggende sikkerhetsforholdsregler, blant annet dem som er beskrevet nedenfor, for å redusere risikoen for brann, batterilekkasje, personskade og skade på materiell.

- Les hele håndboken nøye før du bruker apparatet.
- Beregnet bruk er beskrevet i denne håndboken. Hvis du bruker annet tilbehør, kobler til annet utstyr eller bruker dette produktet til andre oppgaver enn det som er anbefalt i denne håndboken, kan det føre til fare for personskade.
- Ta vare på denne håndboken for fremtidig bruk.

Bruke apparatet

- Ikke bruk apparatet til å suge opp væske eller materialer som kan ta fyr.
- Ikke bruk apparatet i nærheten av vann.
- Ikke senk apparatet ned i vann.
- Ikke dra i ledningen når du skal fjerne laderen fra stikkontakten. Hold ledningen til laderen borte fra varmekilder, olje og skarpe kanter.

- Dette apparatet kan brukes av barn på 8 år eller mer og personer som har reduserte fysiske, sansemessige eller mentale evner, eller som mangler erfaring og kunnskap, hvis de har tilsyn eller har fått veiledning i bruk av apparatet på en trygg måte og forstår farene som foreligger. Barn skal ikke leke med apparatet. Rengjøring og brukervedlikehold skal ikke utføres av barn uten tilsyn.

Kontroll og reparasjon

- Kontroller at apparatet ikke er skadet eller har defekte deler før du bruker det. Kontroller om noen av delene har sprekker, om bryterne er skadet, eller om det er andre forhold som kan påvirke bruken.
- Ikke bruk produktet hvis en av delene er skadet eller defekt.
- Overlat reparasjon eller utskifting av skadde eller defekte deler til et autorisert serviceverksted.
- Kontroller jevnlig om ledningen til laderen er skadet. Skift ut laderen hvis ledningen er skadet eller defekt.
- Forsøk aldri å fjerne eller skifte ut andre deler enn dem som er oppgitt i denne håndboken.

Ytterligere sikkerhetsinstruksjoner

Andre risikoer.

Ved bruk av produktet kan det oppstå ytterligere risikoer som kanskje ikke er inkludert i sikkerhetsadvarslene som følger med. Disse risikoene kan bli forårsaket av feil bruk, langvarig bruk osv. Selv om de relevante sikkerhetsbestemmelsene blir fulgt, og sikkerhetstiltakene blir gjennomført, kan visse gjenværende risikoer ikke unngås.

Disse omfatter:

- Personskader som forårsakes av berøring av en bevegelig del.
- Personskader som forårsakes av berøring av en varm del.
- Personskader som forårsakes av at en del eller tilbehør byttes.

- ◆ Personskader som forårsakes av langvarig bruk av produktet. Når du bruker et produkt i lange perioder, må du sørge for å ta regelmessige pauser.

Batterier og ladere

Batterier

- ◆ Forsøk ikke å åpne uansett hvilket formål du måtte ha.
- ◆ Ikke utsett batteriet for vann.
- ◆ Ikke utsett batteriet for varme.
- ◆ Skal ikke oppbevares på steder der temperaturen kan overskride 40 °C.
- ◆ Skal lades bare ved omgivelsestemperaturer mellom 10 °C og 40 °C.
- ◆ Bruk bare ladere av typen som følger med maskinen/apparatet. Hvis du bruker feil lader, kan dette føre til et elektrisk støt eller at batteriet overopphetes.
- ◆ Følg instruksjonene i avsnittet "Miljø" når du skal kaste batterier.
- ◆ Ikke skad eller deformer batteripakken ved punktering eller støt, da dette kan føre til risiko for personskade og brann.
- ◆ Ikke lad skadede batterier.
- ◆ Under ekstreme forhold kan det forekomme batterilekkasje. Hvis du oppdager væske på batteriene, må du tørke den forsiktig av med en klut. Unngå kontakt med huden.
- ◆ Hvis væsken kommer i kontakt med huden eller øynene, følger du instruksjonene nedenfor.

Advarsel! Batterivæsken kan føre til personskade eller skade på eiendom. Ved hudkontakt skyller du umiddelbart med vann. Hvis huden blir rød eller irritert eller smerter inntreffer, søk øyeblikkelig medisinsk hjelp. Hvis væsken kommer i kontakt med øynene, skyller du umiddelbart med vann og søker øyeblikkelig medisinsk hjelp.

Ladere

Laderen er konstruert for en bestemt spenning. Kontroller alltid at nettspenningen er i overensstemmelse med spenningen på typeskiltet.

Advarsel! Prøv aldri å skifte ut laderen med et vanlig nettstøpsel.


- Bruk bare Black & Decker-laderen til å lade batteriet i apparatet/verktøyet som laderen kom sammen med. Andre batterier kan sprekke og føre til personskade og materiell skade.
- Prøv aldri å lade ikke-oppladbare batterier.
- Hvis strømledningen blir skadet, må den skiftes av produsenten eller et autorisert Black & Decker-service-senter så man unngår fare.
- Ikke utsett laderen for vann.
- Ikke åpne laderen.
- Ikke stikk gjenstander eller fingre ned i laderen.
- Apparatet/verktøyet/batteriet må plasseres på et sted med god lufting når det lades.


Elektrisk sikkerhet

Laderen er konstruert for en bestemt spenning. Kontroller alltid at nettspenningen er i overensstemmelse med spenningen på typeskiltet. Prøv aldri å skifte ut laderen med et vanlig nettstøpsel.

Symboler på laderen

 Les hele håndboken nøye før du bruker apparatet.

 Dette apparatet er dobbeltisolert. Jording er derfor ikke nødvendig. Kontroller alltid at strømforsyningen er i overensstemmelse med spenningen på typeskiltet.

 Kortslutningssikker sikkerhetsskilletransformator. Nettstrømforsyningen er skilt elektrisk fra transformatorutgangen.



Laderen slår seg av automatisk hvis temperaturen i omgivelsene blir for høy. Som følge av dette vil ikke laderen virke. Ladeenheten må kobles fra strømmettet og repareres på et autorisert serviceverksted.



Ladeenheten er bare beregnet for bruk innendørs.

Funksjoner

Dette verktøyet inneholder enkelte av eller alle enhetene nedenfor.

1. Av/på-bryter
2. Utløserknapp for støvbeholder
3. Støvbeholder
4. Lader
5. Ladebrakett

Figur A

6. Tøyfilter for tørr støvsuging (bare NV2410N, NV2420N, NV3610N, NV3620N, NV4820N, NV4820CN & NV7210N)
7. Forfilter (bare NV2410N, NV2420N, NV3610N, NV3620N, NV4820N, NV4820CN & NV7210N)
8. Vått/tørt-skuminnatts (bare NW3620N og NW4820N)
9. Vått/tørt-deflektor (bare NW3620N og NW4820N)

Figur B

10. Nalverktøy (bare NW3620N og NW4820N)
11. Børsteverktøy (bare NV2420N, NV3620N, NV4820N og NV4820CN)
12. Smalt sugestykke (bare NV2420N, NV3620N, NV4820N og NV4820CN)

Merknad: Tilbehøret kan lagres ved å montere dem i fronten av apparatet. For modeller som leveres med både pensel og en fugemunnstykke, første plass børsten inn i fronten av apparatet og deretter passe fugemunnstykke i penselen for lagring.

Installasjon

Veggmontering (figur C)

Produktet kan festes til vegg, der det kan oppbevares og lades på en praktisk måte. Ved montering på vegg må du sørge for at festemetoden passer til veggtypen og at festet kan bære vekten av apparatet.

- ◆ Merk plasseringen av skruerullene (innenfor rekkevidde av en stikkontakt for lading av støvsugeren mens den henger på veggbraketten).
- ◆ Fest monteringsbraketten på vegg ved hjelp av skruer og støpsler som passer til veggtypen og vekten av apparatet.
- ◆ Heng apparatet på vegg ved å plassere åpningen i støvsugerens sokkel over krokene på ladebraketten for veggmontering.

Montering

Tilbehør (figur B)

Disse modellene kan leveres med noe eller alt av følgende tilbehør:

- ◆ Et nalverktøy (10) til bruk på våte harde overflater.
- ◆ En børste (11) for møbler og trapper.
- ◆ Et smalt sugestykke (12) for vanskelig tilgjengelige steder.

Montering (figur D)

- ◆ Sett på det aktuelle tilbehøret fremst på apparatet. Pass på at tilbehøret er skjøvet helt inn.

Bruk

- ◆ Før første gangs bruk skal batteriet lades i minst 24 timer.
- ◆ Sett apparatet i ladebraketten når det ikke er i bruk.

Advarsel! Før lading må du passe på å tømme ut all væske og tørke godt for å unngå skade på apparatet.

Lading av batteriet (figur C)

- ◆ Forsikre deg om at apparatet er slått av. Batteriet vil ikke bli ladet hvis på/av-bryteren er i på-stillingen.
- ◆ Sett apparatet på ladebraketten (5).
- ◆ Sett laderen i stikkontakten. Pass på at det er strøm i stikkontakten.
- ◆ La apparatet lade i minst 21 timer.

Under ladingen kan laderen bli varm. Dette er normalt og betyr ikke at noe er feil. Apparatet kan være tilkoblet laderen uten tidsbegrensning.

Advarsel! Ikke lad batteriet hvis temperaturen i omgivelsene er under 10 °C eller over 40 °C.

Merknad: Kontroller at apparatet er helt på plass på ladestasjonen. Hvis apparatet ikke er helt på plass da apparatet ikke vil belaste.

Slå på og av (figur E)

- ◆ Når du skal slå apparatet på, skyver du på/av-bryteren (1) fremover til posisjon 1.
- ◆ Når du skal slå apparatet av, skyver du på/av-bryteren (1) bakover til posisjon 0.

Tørr støvsuging (bare NV2410N, NV2420N, NV3610N, NV3620N, NV4820N, NV4820CN & NV7210N)

- ◆ For vanlig tørt avfall.

Våt og tørr støvsuging (bare NW3620N og NW4820N)

- ◆ Til vanlig tørt avfall bruker du apparatet uten nalttilbehøret.

Advarsel! Produktet er utformet bare for lett avfall.

- ◆ Dette apparatet kan også brukes til å suge opp vanlig søl av væsker. Bruk nalttilbehøret på ikke-sugende, harde overflater. På sugende flater, for eksempel tepper, vil apparatet suge opp vått søl bedre uten tilbehøret.
- ◆ Du får best resultat ved oppsuging av væske på harde overflater ved å sette nalverktøyet inn i munnstykket til beholderen.
- ◆ Du får best resultat ved bruk av dette tilbehøret hvis du holder apparatet i en vinkel på 45° og trekker det langsomt mot deg.
- ◆ Ikke fyll beholderen over enden av inntakskanalen. Hvis det er væske i beholderen, må du ikke snu enheten opp-ned eller sidelengs, rette munnstykket oppover eller riste støvsugeren kraftig.

- ◆ Når du har suget opp væske, må du rengjøre apparatet og filteret straks. Det kan bli dannet mugg og jordslag hvis enheten ikke blir rengjort godt etter oppsuging av væske.
- ◆ Før lading må du passe på å tømme ut all væske og tørke godt for å unngå skade på apparatet.

Oppnå best mulig sugekraft

For å opprettholde best mulig sugekraft må du rengjøre filterene regelmessig under bruk.

Tømme og rengjøre produktet.

Ta av støvbeholderen og filterene (figur F & G)

Advarsel! Filterene kan brukes på nytt og bør rengjøres jevnlig.

- ◆ Trykk på utløserknappen (2) for oppsamleren, og trekk støvbeholderen (3) rett av.
- ◆ Mens du holder støvbeholderen over en søppelbøtte eller lignende, trekker du ut filteret for å tømme ut innholdet i beholderen.
- ◆ Du setter støvbeholderen på plass igjen ved å sette den tilbake på håndtaket til den klikker på plass og sitter godt.

Advarsel! Bruk aldri apparatet uten filterene. Optimal støvsuging kan bare oppnås med rene filtre.

Skuminnatts (figur H) (bare NW3620N og NW4820N)

- ◆ Sett skuminnatts (8) midt i vått/tørt-deflektoren (9).

Advarsel! Bruk aldri apparatet til å suge opp væske uten at vanddeflektoren og skuminnatts er satt på.

Forfilter (fig. I) (bare NV2410N, NV2420N, NV3610N, NV3620N, NV4820N, NV4820CN & NV7210N)

Filteret og forfilteret kan skilles så de kan rengjøres bedre.

- ◆ Vri forfilteret (7) mot klokken, og løft det av filteret (6).

Rengjøring av støvbeholdere og filtre

- ◆ Støvbeholderne og filterene kan vaskes i varmt såpevann.
- ◆ Sørg for at filterene og støvbeholderen er tørre før du setter dem på plass igjen.

Utskifting av filterene

Filterene bør skiftes ut hver 6.–9. måned eller hvis de er slitte eller skadet.

Reservefiltere får du hos en Black & Decker-forhandler:

For modell NV2410N, NV2420N, NV3610N, NV3620N, NV4820N, NV4820CN & NV7210N bruker du filter med delenummer FLVD10-XJ

For modell NW3620N og NW4820N bruker du filter med delenummer FLWD10-XJ

Vedlikehold

Det nettdrevne/batteridrevne Black & Decker-apparatet/verktøyet er konstruert for å være i drift over lengre tid med et minimum av vedlikehold. Det er avhengig av riktig stell og regelmessig rengjøring for å fungere som det skal til enhver tid.

Advarsel! Før du utfører vedlikehold på nettdrevet/batteridrevet elektroverktøy:

- ◆ Slå av apparatet/verktøyet og trekk ut støpselet.
- ◆ Eller slå av apparatet/verktøyet og fjern batteriet fra dette hvis apparatet/verktøyet har separat batteripakke.
- ◆ Eller la batteriet gå helt tomt hvis det er innebygd, og slå deretter av.
- ◆ Fjern laderen fra stikkkontakten før du rengjør den. Laderen krever ikke annet vedlikehold enn regelmessig rengjøring.

- ◆ Rengjør ventilasjonsåpningene i apparatet/verktøyet/laderen jevnlig med en myk børste eller tørr klut.
- ◆ Rengjør motorhuset regelmessig med en fuktig klut. Ikke bruk slipende eller løsemiddelbaserte rengjøringsmidler.

Miljø



Separat avfallshåndtering. Dette produktet må ikke kastes sammen med husholdningsavfall.

Hvis du synes Black & Decker-produktet bør skiftes ut, eller du ikke har bruk for det lenger, må du ikke kaste det sammen med husholdningsavfall. Sørg for separat avfallshåndtering for dette produktet.



Hvis brukte produkter og emballasje leveres atskilt, kan materialer resirkuleres og brukes på nytt. Gjenbruk av resirkulerte materialer bidrar til redusert miljøforurensing og reduserer behovet for råmaterialer.

Det kan være lokale bestemmelser for separat avfallshåndtering for elektriske produkter fra husstander på kommunale avfallsplasser eller hos forhandleren, når du kjøper et nytt produkt.

Black & Decker har en ordning for innsamling og resirkulering av Black & Decker-produkter som ikke skal brukes lenger. Du kan benytte denne tjenesten ved å levere produktet til et hvilket som helst autorisert serviceverksted.

Du kan finne ut hvor nærmeste autoriserte serviceverksted er, ved å kontakte din lokale Black & Decker-avdeling på adressen som er oppgitt i denne håndboken. En oversikt over autoriserte Black & Decker-serviceverksteder og alle opplysninger om etter-salgsservice og kontakter er også tilgjengelig på Internett: www.2helpU.com

Batteri



Hvis du vil kaste produktet selv, må batteriene tas ut som beskrevet nedenfor og kastes i henhold til lokale forskrifter.

- ◆ Du bør lade ut batteriet ved å la apparatet gå til motoren stopper.
- ◆ Trykk på utløserknappen (2) for oppsamleren, og ta av støvbeholderen (3).
- ◆ Ta ut de fem skruene som holder apparatet sammen.
- ◆ Løft husdekslet bort fra enheten.
- ◆ Løsne alle ledningstilkoblinger på batteripakken.
- ◆ Ta ut batteriet og motorenheten.
- ◆ Ha batteriet og motorenheten i passende emballasje for å sikre at ikke terminalene kan kortsluttes.
- ◆ Ta batteriet og motorenheten til et autorisert serviceverksted eller til nærmeste spesialavfallsstasjon.

Når batteriet først er tatt ut, kan det ikke settes inn igjen.

Tekniske data

		NV2410N (H1) NV2420N (H1)	NV3610N (H1) NV3620N (H1) NW3620N (H1)	NV4820N (H1) NW4820N (H1)	NV4820CN (H1)	NV7210N (H1)
Spenning	V_{dc}	2.4	3.6	4.8	4.8	7.2
Batteri	Type	NiMH	NiMH	NiMH	NiMH	NiMH
Vekt	kg	0.66	0.74	0.77	0.8	0.86
Lader		VA035015D BA035015D	VA050020D BA050020D	VA070015D BA070015D	SSC- 180008EU SSC- 180008UK	SSC- 180008EU SSC- 180008UK
Inngangsspenning	V_{ac}	230	230	230	100-240	100-240
Utgangsspenning	V	3.5 _{ac}	5 _{ac}	7 _{ac}	27 _{dc}	27 _{dc}
Strøm	mA	150	200	150	85	85
Omtrentlig ladetid	t	14	14	14	21	21
Vekt	kg	0.2	0.21	0.2	0.06	0.06

Garanti

Black & Decker er trygg på kvaliteten av sine produkter og tilbyr en enestående garanti. Denne garantierklæringen kommer i tillegg til dine lovbestemte rettigheter og er ikke i konflikt med disse. Garantien er gyldig i EU- og EFTA-medlemsstatene.

Hvis et Black & Decker-produkt går i stykker på grunn av material- og/eller fabrikkasjonsfeil eller har mangler i forhold til spesifikasjonene innen 24 måneder fra kjøpet, påtar Black & Decker seg å skifte ut defekte deler, reparere produkter som har vært utsatt for alminnelig slitasje, eller bytte ut slike produkter med minst mulig vanskelighet for kunden, med mindre:

- ◆ Produktet har vært brukt i yrkes-/næringsvirksomhet eller til utleie.
- ◆ Produktet har vært utsatt for feilaktig bruk eller dårlig vedlikehold.
- ◆ Produktet har blitt skadet av fremmede gjenstander eller stoffer eller ved et uhell.
- ◆ Andre enn autoriserte serviceverksteder eller Black & Deckers serviceteknikere har forsøkt å reparere produktet.

For å ta garantien i bruk må du vise kjøpskvittering til forhandleren eller til et autorisert serviceverksted. Du kan finne ut hvor nærmeste autoriserte serviceverksted er, ved å kontakte din lokale Black & Decker-avdeling på adressen som er oppgitt i denne håndboken. En oversikt over autoriserte Black & Decker-serviceverksteder og alle opplysninger om ettersalgsservice og kontakter er også tilgjengelig på Internett: www.2helpU.com

Besøk vårt webområde www.blackanddecker.no for å registrere ditt nye Black & Decker-produkt og for å holde deg oppdatert om nye produkter og spesialtilbud. Du finner mer informasjon om Black & Decker og produktutvalget vårt på www.blackanddecker.no.

Tilsigtet brug

Din Black & Decker Dustbuster® håndholdte støvsuger er udviklet til let tør støvsugning (NV2410N, NV2420N, NV3610N, NV3620N, NV4820N, NV4820CN & NV7210N).

Apparatet er kun beregnet til brug i husholdninger.

Din Black & Decker Dustbuster® håndholdte støvsuger er udviklet til let våd og tør støvsugning (NW3620N og NW4820N). Apparatet er kun beregnet til brug i husholdninger.

Sikkerhedsanvisninger



Advarsel! Læs alle sikkerhedsadvarsler og instruktioner. Hvis nedenstående advarsler og anvisninger ikke følges, er der risiko for elektrisk stød, brand og/eller alvorlige personskader.



Advarsel! Ved brug af batteridrevne apparater er det vigtigt, at grundlæggende sikkerhedsforholdsregler, herunder nedenstående, altid følges for at mindske risikoen for brand, batterilækage, personskader og materielle skader.

- Læs hele denne vejledning omhyggeligt, før du bruger apparatet.
- Den tilsigtede brug er beskrevet i denne vejledning. Brugen af ekstraudstyr eller tilbehør eller udførelse af andet arbejde med dette apparat end det, der anbefales i denne vejledning, kan udgøre en risiko for personskade.
- Opbevar denne vejledning til senere brug.

Brug af apparatet

- Brug ikke apparatet til at opsamle væske eller stoffer, der kan være antændelige.
- Brug ikke apparatet i nærheden af vand.
- Apparatet må ikke nedsænkes i vand.
- Træk aldrig i laderens ledning for at afbryde laderen fra stikkontakten. Beskyt laderens ledning imod varmepåvirkninger, olie og skarpe kanter.

- Dette apparat kan bruges af børn i en alder fra 8 år og derover og personer med nedsatte fysiske, sensoriske eller mentale evner eller manglende erfaring og viden, hvis det sker under overvågning, eller de vejledes i brugen af apparatet på en sikker måde, og de forstår de farer, som er forbundet dermed. Børn må ikke lege med apparatet. Rengøring og brugervedligeholdelse må ikke foretages af børn uden opsyn.

Eftersyn og reparationer

- Kontroller apparatet for beskadigede eller defekte dele før brug. Se efter knækkede dele, skader på kontakter og eventuelle andre forhold, der kan påvirke apparatets funktion.
- Brug ikke apparatet med beskadigede eller defekte dele.
- Sørg for at få beskadigede eller defekte dele repareret eller udskiftet på et autoriseret værksted.
- Kontroller regelmæssigt laderens ledning for skader. Udskift laderen, hvis ledningen er beskadiget eller defekt.
- Forsøg aldrig at fjerne eller udskifte dele ud over dem, der er beskrevet i denne vejledning.

Yderligere sikkerhedsvejledninger

Restrisici.

Der kan opstå yderligere restrisici under brugen af værktøjet, som ikke kan medtages i vedlagte sikkerhedsadvarsler. Disse risici kan opstå pga. forkert anvendelse, langvarig brug etc.

Selv ved overholdelse af relevante sikkerhedsforskrifter og anvendelse af sikkerhedsudstyr kan visse restrisici ikke undgås. Disse omfatter:

- Tilskadekomst forårsaget af berøring af bevægelige dele.
- Tilskadekomst forårsaget af berøring af varme dele.
- Tilskadekomst forårsaget af udskiftning af dele eller tilbehør.

- Tilskadekomst forårsaget af langvarig brug af apparatet. Husk at holde pause jævnligt ved brug af et apparat i længere tid.

Batterier og ladere

Batterier

- Forsøg aldrig at åbne uanset årsag.
- Batteriet må ikke udsættes for fugt.
- Batteriet må ikke udsættes for varme.
- Opbevar ikke batterier på steder, hvor temperaturen kan overstige 40°C.
- Foretag kun opladning ved omgivelsestemperaturer mellem 10°C og 40°C.
- Brug kun den oplader, der fulgte med apparatet/værktøjet, til opladning. Brug af den forkerte oplader kan medføre elektrisk stød eller overophedning af batteriet.
- Følg vejledningen i afsnittet "Miljøbeskyttelse" ved bortskaffelse af batterier.
- Undgå at beskadige/deformere batteripakken ved at punktere den eller slå på den, da dette kan forårsage risiko for tilskadekomst eller brand.
- Beskadigede batterier må ikke oplades.
- Under ekstreme forhold kan der forekomme batterilækage. Hvis du bemærker væske på batterierne, skal du omhyggeligt tørre den af med en klud. Undgå kontakt med huden.
- I tilfælde af kontakt med hud eller øjne skal nedenstående instruktioner følges.

Advarsel! Batterivæsken kan forårsage personskader eller materielle skader. I tilfælde af kontakt med huden skylles straks med vand. Søg læge, hvis der opstår rødme, smerte eller irritation. Skyl straks med rent vand, og søg læge i tilfælde af kontakt med øjnene.

Ladere

Laderen er udviklet til en specifik spænding. Kontroller altid, at netspændingen svarer til spændingen på typeskiltet.




Advarsel! Forsøg aldrig at erstatte laderenheden med et almindeligt netstik.

- Brug kun din Black & Decker-lader til at oplade batteriet i det apparat/værktøj, som den blev leveret sammen med. Andre batterier kan eksplodere og forårsage personskader og materielle skader.
- Prøv aldrig på at oplade ikke-genopladelige batterier.
- Hvis netledningen beskadiges, skal den udskiftes af producenten eller et autoriseret Black & Decker-værksted, så farlige situationer undgås.
- Laderen må ikke udsættes for fugt.
- Laderen må ikke åbnes.
- Undersøg ikke laderen.
- Apparatet/værktøjet/batteriet skal anbringes et sted med god udluftning, når det oplades.

Elektricitet og sikkerhed

Laderen er udviklet til en specifik spænding. Kontroller altid, at netspændingen svarer til spændingen på typeskiltet. Forsøg aldrig at erstatte laderenheden med et almindeligt netstik.

Symboler på laderen

-  Læs hele denne vejledning omhyggeligt, før du bruger apparatet.
-  Dette værktøj er dobbelt isoleret. Derfor er jordledning ikke nødvendig. Kontroller altid, at strømforsyningen svarer til spændingen på typeskiltet.
-  Kortslutningssikker skilletransformer. Netforsyningen er elektrisk adskilt fra transformerudgangen.



Laderen slår automatisk fra, hvis omgivelsestemperaturen bliver for høj. Som følge deraf holder laderen op med at fungere. Laderens basisenhed skal afbrydes fra netforsyningen og indleveres til reparation på et autoriseret værksted.



Laderens basisenhed er kun beregnet til indendørs brug.

Komponenter

Dette værktøj leveres med nogle af eller alle de følgende komponenter.

1. Afbryderkontakt
2. Knap til frigørelse af beholderen
3. Støvbeholder
4. Lader
5. Ladeholder

Fig. A

6. Tøropsamlingsfilter (stof) (kun NV2410N, NV2420N, NV3610N, NV3620N, NV4820N, NV4820CN & NV7210N)
7. Forfilter (kun NV2410N, NV2420N, NV3610N, NV3620N, NV4820N, NV4820CN & NV7210N)
8. Våd/tør skumindsats (kun NW3620N og NW4820N)
9. Våd/tør deflektor (kun NW3620N og NW4820N)

Fig. B

10. Visker (kun NW3620N og NW4820N)
11. Børsteforsats (kun NV2420N, NV3620N, NV4820N og NV4820CN)
12. Sprækkeforsats (kun NV2420N, NV3620N, NV4820N og NV4820CN)

Bemærk: Tilbehøret kan opbevares ved at montere dem i den forreste del af apparatet. For modeller, der leveres med både en pensel og et sprækkemundstykke, passer først penslen i den forreste del af maskinen og sæt derefter sprækkemundstykket i penslen til opbevaring.

Installation

Vægmontering (fig. C)

Produktet kan monteres på væggen, hvilket giver et praktisk opbevarings- og opladningssted til apparatet.

Før vægmontering skal det sikres, at fastgøringsmetoden er egnet til væggens type og tilstrækkelig til at understøtte apparatets vægt.

- ◆ Marker hvor skruehullerne befinder sig (i nærheden af en stikkontakt, så støvsugeren kan oplades, mens den sidder i vægholderen).
- ◆ Fastgør monteringsholderen til væggen med passende skruer og stik for vægtypen og apparatets vægt.
- ◆ Monter apparatet på væggen ved at placere åbningen forned på støvsugeren over hængekrogene på vægladeholderen.

Samling

Tilbehør (fig. B)

Disse modeller kan leveres med enkelte dele fra det følgende tilbehør:

- ◆ En visker (10) til våd anvendelse på hårde overflader.
- ◆ En børsteforsats (11) til møbler og trappetrin.
- ◆ En sprækkeforsats (12) til arbejde under trange pladsforhold.

Påsætning (Fig. D)

- ◆ Sæt det ønskede tilbehør i forenden af apparatet. Kontroller, at tilbehøret er sat helt ind.

Anvendelse

- ◆ Før første brugtagning skal batteriet oplades i mindst 24 timer.
- ◆ Sæt apparatet i ladeholderen, når det ikke er i brug.

Advarsel! Før opladning skal vådt indhold tømmes ud, og apparatet skal tørres for at undgå beskadigelse.

Opladning af batteriet (fig. C)

- ◆ Kontroller, at apparatet er slukket. Batteriet oplades ikke, når afbryderkontakten er i tændt position.
- ◆ Sæt apparatet i ladeholderen (5).
- ◆ Tilslut opladeren. Tænd på stikkontakten.
- ◆ Lad apparatet lade i mindst 21 timer.

Under opladningen kan laderen blive varm. Dette er helt normalt og ikke tegn på et problem. Apparatet kan være tilsluttet til laderen i længere perioder.

Advarsel! Batteriet må ikke oplades i omgivelsestemperaturer under 10 °C eller over 40 °C.

Bemærk: Sørg for at apparatet er helt anbragt på en oplader. Hvis apparatet ikke sidder ordentligt fast så apparatet kan ikke oplades.

Tænd og sluk (fig. E)

- ◆ Tænd apparatet ved at skubbe tænd/sluk-kontakten (1) fremad til position 1.
- ◆ Sluk apparatet ved at skubbe tænd/sluk-kontakten (1) tilbage til position 0.

Tøropsamling (kun NV2410N, NV2420N, NV3610N, NV3620N, NV4820N, NV4820CN & NV7210N)

- ◆ For dagligt spild af tørt materiale.

Våd og tør opsamling (kun NW3620N og NW4820N)

- ◆ Til dagligt spild af tørt materiale anvendes apparatet uden visker.

Advarsel! Dit produkt er kun beregnet til lettere spild.

- ◆ Dette apparat kan også anvendes til opsamling af dagligt væskespild. Brug viskeren på ikke-absorberende, hårde overflader. På ikke-absorberende overflade, f.eks. tæppe, opsamler apparatet bedst væske, der er spildt, uden tilbehøret.
- ◆ Det bedste resultat for vådopsamling på hårde overflader opnås ved at indsætte viskeren i dyseåbningen på beholderen.
- ◆ Det bedste resultat opnås ved at holde apparatet i en vinkel på 45° og trække det langsomt mod dig selv.
- ◆ Fyld ikke beholderen længere op end til enden af indtaget. Hvis der er væske i beholderen, må enheden ikke vendes på hovedet eller holdes sidelæns, dysen må ikke holdes opad, og støvsugeren må ikke rystes for meget.

- ◆ Apparatet og filteret skal straks rengøres efter opsamling af væsker. Der kan dannes mug og skimmel, hvis enheden ikke rengøres omhyggeligt efter vådopsamling.
- ◆ Før opladning skal vådt indhold tømmes ud, og apparatet skal tørres for at undgå beskadigelse.

Optimering af sugeeffekten

For at sikre optimal sugeeffekt skal filtrene rengøres regelmæssigt under brug.

Tømning og rengøring af produktet.

Fjernelse af støvbeholderen og filtrene (fig. F & G).

Advarsel! Filtrene er genanvendelige og skal rengøres regelmæssigt.

- ◆ Tryk på beholderens udløserknap (2), og træk støvbeholderen (3) lige af.
- ◆ Hold støvbeholderen over en affaldsspand eller vask, og træk filteret ud for at tømme indholdet af beholderen ud.
- ◆ Støvbeholderen udskiftes ved at sætte det tilbage på håndtaget, indtil det klikker på plads.

Advarsel! Apparatet må aldrig bruges uden filtrene. Optimal støvsugning kan kun opnås med rene filtre.

Skumindsats (fig. H) (kun NW3620N og NW4820N)

- ◆ Sæt skumindsatsen (8) i midten af våd/tør-deflektoren (9).

Advarsel! Apparatet må ikke anvendes til vådopsamling uden at vanddeflektoren og skumindsatsen er monteret.

Forfilter (fig. I) (kun NV2410N, NV2420N, NV3610N, NV3620N, NV4820N, NV4820CN & NV7210N)

Filteret og forfilteret kan skilles ad for at lette rengøringen.

- ◆ Drej forfilteret (7) mod uret, og løft det af filteret (6).

Rengøring af støvbeholdere og filtre

- ◆ Støvbeholderne og filtrene kan vaskes i varmt sæbevand.
- ◆ Kontroller, at filtrene og støvbeholderen er helt tørre, før de monteres igen.

Udskiftning af filtrene

Filtrene skal udskiftes hver 6. til 9. måned, og i øvrigt hvis de bliver slidte eller beskadiget.

Udskiftningsfiltre fås hos Black & Decker-forhandleren:

Til modellerne: NV2410N, NV2420N, NV3610N, NV3620N, NV4820N, NV4820CN & NV7210N bruges filter nr. FLVD10-XJ

Til modellerne: NW3620N og NW4820N bruges filter nr. FLWD10-XJ

Vedligeholdelse

Dit Black & Decker-apparat/værktøj med eller uden ledning er beregnet til brug gennem lang tid med et minimum af vedligeholdelse. Forsat tilfredsstillende drift afhænger af korrekt behandling af værktøjet samt regelmæssig rengøring.

Advarsel! Før udførelse af nogen form for vedligeholdelse på elværktøj med/ uden ledning:

- ◆ Sluk, og tag apparatets/værktøjets stik ud af stikkontakten.
- ◆ Eller sluk og fjern batteriet fra apparatet/værktøjet, hvis det har en separat batteripakke.

- ◆ Eller aflad batteriet helt, hvis det er indbygget, og sluk derefter.
- ◆ Træk laderen ud af stikkontakten, før den rengøres. Laderen kræver ingen vedligeholdelse, men skal rengøres jævnligt.
- ◆ Rengør jævnligt apparatets/værktøjets/laderens ventilationshuller med en blød børste eller en tør klud.
- ◆ Rengør med jævne mellemrum motorhuset med en fugtig klud. Der må ikke bruges skuremidler eller opløsningsmidler.

Miljø



Separat bortskaffelse. Dette produkt må ikke bortskaffes sammen med almindeligt husholdningsaffald.

Når dit Black & Decker-produkt en dag er udtjent, eller du ikke længere har brug for det, må du ikke smide det ud sammen med det almindelige affald. Produktet skal bortskaffes separat.



Ved separat bortskaffelse af brugte produkter og emballage bliver der mulighed for at genanvende forskellige materialer. Genanvendelse af materialer medvirker til at forebygge miljøforurening og mindsker behovet for råstoffer.

Lokal lovgivning kan kræve separat indsamling af elektriske husholdningsapparater på kommunale affaldsdepoter eller af den detailhandlende ved køb af et nyt produkt.

Black & Decker sørger for at indsamle og genanvende Black & Decker-produkter, når disse ikke længere kan bruges. Hvis du vil benytte dig af denne service, skal du returnere produktet til et autoriseret værksted, der indsamler produkterne for os.

Kontakt det lokale Black & Decker-kontor på den adresse, der er angivet i denne vejledning, for at få oplysninger om nærmeste autoriserede værksted. En liste over alle autoriserede Black & Decker-serviceværksteder samt servicevilkår og kontaktpersoner er tilgængelig på internettet på adressen: www.2helpU.com

Batteri



Hvis du selv vil bortskaffe produktet, skal batteriet fjernes som beskrevet nedenfor og bortskaffes i overensstemmelse med gældende lovgivning.

- ◆ Det er hensigtsmæssigt at aflade batteriet ved at betjene apparatet, indtil motoren standser.
- ◆ Tryk på beholderens udløserknop (2), og fjern støvbeholderen (3).
- ◆ Fjern de fem skruer, der holder apparatets kabinet sammen.
- ◆ Løft huset af apparatet.
- ◆ Afmonter alle ledningsforbindelser fra batteripakken.
- ◆ Fjern batteripakken og motordelen.
- ◆ Anbring batteripakken og motordelen i en egnet emballage for at sikre, at terminalerne ikke kortsluttes.
- ◆ Aflever batteripakken og motordelen på et serviceværksted eller på et lokalt opsamlingssted.

Når batteriet er taget ud af apparatet, kan det ikke sættes i igen.

Tekniske data

		NV2410N (H1) NV2420N (H1)	NV3610N (H1) NV3620N (H1) NW3620N (H1)	NV4820N (H1) NW4820N (H1)	NV4820CN (H1)	NV7210N (H1)
Spænding	V _{dc}	2.4	3.6	4.8	4.8	7.2
Batteri	Type	NiMH	NiMH	NiMH	NiMH	NiMH
Vægt	kg	0.66	0.74	0.77	0.8	0.86
Lader		VA035015D BA035015D	VA050020D BA050020D	VA070015D BA070015D	SSC- 180008EU SSC- 180008UK	SSC- 180008EU SSC- 180008UK
Indgangsspænding	V _{ac}	230	230	230	100-240	100-240
Udgangsspænding	V	3.5 _{ac}	5 _{ac}	7 _{ac}	27 _{dc}	27 _{dc}
Strømstyrke	mA	150	200	150	85	85
Omtrentlig opladningstid	t	14	14	14	21	21
Vægt	kg	0.2	0.21	0.2	0.06	0.06

Garanti

Black & Decker garanterer, at produktet er fri for skader og fejl og tilbyder en fremragende garanti. Garantien er et tillæg til forbrugers lovsikrede rettigheder og påvirker ikke disse. Garantien gælder inden for medlemsstaterne af den Europæiske Union og i det Europæiske Frihandelsområde.

Hvis et Black & Decker-produkt går i stykker på grund af materiel skade og/eller fabriktionsfejl eller på anden måde ikke fungerer i overensstemmelse med specifikationen inden for 24 måneder fra købsdatoen, påtager Black & Decker sig at reparere eller ombytte produktet med mindst mulig ulempe for kunden. Garantien gælder ikke for fejl og mangler, der er sket i forbindelse med:

- ◆ Produktet har været anvendt erhvervsmæssigt eller til udlejning.
- ◆ Produktet har været anvendt forkert eller er ikke vedligeholdt.
- ◆ Produktet er beskadiget af fremmedlegemer, substanser eller pga. uheld.
- ◆ Garantien gælder ikke, hvis reparationer er udført af andre end et autoriseret Black & Decker-værksted.

For at udnytte garantien skal produktet og købskvitteringen indleveres til forhandleren eller til et autoriseret værksted. Kontakt det lokale Black & Decker-kontor på den adresse, der er opgivet i denne vejledning, for at få oplysninger om nærmeste autoriserede værksted. En liste over alle autoriserede Black & Decker-serviceværksteder samt servicevilkår og kontaktpersoner er tilgængelig på internettet på adressen: www.2helpU.com

Gå venligst ind på vores website www.blackanddecker.dk for at registrere dit nye produkt og for at blive holdt ajour om nye produkter og specialtilbud. Der findes yderligere oplysninger om mærket Black & Decker og vores produktsortiment på adressen www.blackanddecker.dk

Käyttötarkoitus

Black & Decker Dustbuster® -rikkaimuri on tarkoitettu kevyeen märkä- ja kuivaimurointiin (NV2410N, NV2420N, NV3610N, NV3620N, NV4820N, NV4820CN & NV7210N). Laite on tarkoitettu ainoastaan kotitalouskäyttöön.

Black & Decker Dustbuster® -rikkaimuri on tarkoitettu kevyeen märkä- ja kuivaimurointiin (NW3620N ja NW4820N). Laite on tarkoitettu ainoastaan kotitalouskäyttöön.

Turvallisuusohjeet



Varoitus! Lue kaikki turvavaroitukset ja ohjeet. Alla olevien varoitusten ja ohjeiden noudattamisen laiminlyönti saattaa johtaa sähköiskuun, tulipaloon ja/tai vakavaan loukkaantumiseen.



Varoitus! Käytettäessä akkukäyttöisiä laitteita on aina noudatettava perusvarotoimenpiteitä palovaaran, vuotavien akkujen, henkilövahinkojen ja aineellisten vaurioiden välttämiseksi.

- Lue nämä ohjeet huolellisesti ennen laitteen käyttöä.
- Käyttötarkoitus kuvataan tässä käyttöohjeessa. Muiden kuin tässä käyttöohjeessa suositeltujen lisävarusteiden tai -osien käyttö sekä laitteen käyttö muuhun kuin käyttöohjeessa suositeltuun tarkoitukseen voi aiheuttaa henkilövahingon vaaran.
- Säilytä tämä käyttöohje tulevaa tarvetta varten.

Laitteen käyttö

- Älä käytä laitetta nesteiden tai syttyvien materiaalien keräämiseen.
- Älä käytä laitetta veden lähellä.
- Älä upota laitetta veteen.
- Älä koskaan irrota laturia pistorasiasta vetämällä virtajohtoa. Pidä laturin virtajohto etäällä lämmönlähteistä, öljystä ja terävistä reunoista.

- Tämä laite soveltuu yli 8-vuotiaiden lasten ja sellaisten henkilöiden käyttöön, joilla on fyysisiä tai älyllisiä rajoitteita tai aistirajoitteita, kuten myös laitteen toimintaan perehtymättömien henkilöiden käyttöön, jos heitä valvotaan tai jos he ovat saaneet laitteen turvalliseen käyttöön liittyvää opastusta ja ymmärtävät laitteen käyttöön liittyvät vaarat. Älä anna lasten leikkiä laitteella. Puhdistus- ja huoltotöitä ei saa jättää lapsille ilman valvontaa.

Tarkastus ja korjaus

- Tarkista ennen laitteen käyttöä, ettei laitteessa ole vahingoittuneita tai viallisia osia. Tarkista osien ja kytkimien kunto sekä muut seikat, jotka voivat vaikuttaa laitteen toimintaan.
- Älä käytä laitetta, jos jokin osa on vahingoittunut tai viallinen.
- Korjauta tai vaihdata vaurioituneet tai vialliset osat valtuutetussa huoltoliikkeessä.
- Tarkista säännöllisesti, ettei laturin virtajohto ole vahingoittunut. Vaihda laturi, jos virtajohto on vahingoittunut tai viallinen.
- Älä koskaan yritä korjata tai vaihtaa muita kuin tässä käyttöohjeessa erikseen määriteltyjä osia.

Lisäturvaohjeet

Muut riskit.

Muut riskit ovat mahdollisia, jos käytät työkalua muulla kuin turvavaroituksissa mainitulla tavalla. Nämä riskit voivat liittyä muun muassa virheeliseen tai pitkäaikaiseen käyttöön.

Tiettyjä jäännösriskejä ei voi välttää, vaikka noudatat kaikkia turvamaaräyksiä ja käytät turvalaitteita. Näihin kuuluvat muun muassa

- liikkuvien osien koskettamisen aiheuttamat vahingot
- kuumien osien koskettamisen aiheuttamat vahingot
- osia tai lisälaitteita vaihdettaessa aiheutuneet vahingot
- laitteen pitkäaikaisen käytön aiheuttamat vahingot. Kun käytät laitetta pitkään, varmista, että pidät säännöllisesti taukoja.

Akut ja laturit

Akku

- Älä koskaan yritä avata akkua.
- Älä anna akun kastua.
- Älä altista akkua kuumuudelle.
- Älä säilytä akkua tiloissa, joissa lämpötila voi nousta yli 40 °C:n.
- Lataa akku paikassa, jonka lämpötila on vähintään 10 °C ja enintään 40 °C.
- Käytä akun lataamiseen vain laitteen mukana toimitettua laturia. Väärän tyyppinen laturi voi aiheuttaa sähköiskun tai akun ylikuumentumisen.
- Noudata akkujen hävittämisessä kohdassa Ympäristönsuojelu esitettyjä ohjeita.
- Suojaa akkua vahingoittumiselta niin, ettei sen kotelo rikkoudu eikä siihen kohdistu iskuja, sillä muutoin voi syntyä henkilövahinkojen ja tulipalon vaara.
- Älä lataa viallisia akkuja.
- Vaativissa oloissa voi ilmetä akkuvuotoja. Jos havaitset akkujen pinnalla nestettä, pyyhi se huolellisesti pois. Vältä ihokosketusta.
- Jos nestettä joutuu silmiin tai iholle, noudata alla olevia ohjeita.

Varoitus! Akuneste voi aiheuttaa aineellisia vahinkoja tai henkilövahinkoja. Jos nestettä joutuu iholle, se on välittömästi huuhdeltava pois vedellä. Jos ihoa kirvelee tai se punottaa tai on muuten ärtynyt, kysy lisäohjeita lääkäriltä. Jos nestettä joutuu silmiin, huuhto välittömästi puhtaalla vedellä ja mene lääkäriin.

Laturit

Laturi on tarkoitettu tietylle jännitteelle. Tarkista aina, että verkkojännite vastaa arvokilvessä ilmoitettua jännitettä.




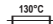
Varoitus! Älä yritä korvata laturiyksikköä tavallisella verkkopistokkeella.

- Käytä Black & Deckerin laturia vain laitteen/työkalun mukana toimitetun akun lataamiseen. Muut akut voivat räjähtää ja aiheuttaa henkilövahinkoja tai aineellisia vahinkoja.
- Älä koskaan yritä ladata paristoja, joita ei ole tarkoitettu ladattavaksi.
- Jos virtajohto vahingoittuu, sen vaihtaminen tulee turvallisuussyistä jättää valmistajan tai valtuutetun Black & Decker -huollon tehtäväksi.
- Älä altista laturia vedelle.
- Älä avaa laturia.
- Älä työnnä mitään laturin sisään.
- Lataa laite/työkalu/akku paikassa, jossa on kunnollinen ilmanvaihto.

Sähköturvallisuus

Laturi on tarkoitettu tietylle jännitteelle. Tarkista aina, että verkkojännite vastaa arvokilvessä ilmoitettua jännitettä. Älä yritä korvata laturiyksikköä tavallisella verkkopistokkeella.

Laturin symbolit

-  Lue tämä käyttöopas huolellisesti ennen laitteen käyttöä.
-  Tämä työkalu on kaksoeristetty, joten erillistä maadoitusta ei tarvita. Tarkista aina, että virtalähde vastaa arvokilvessä ilmoitettua jännitettä.
-  Oikosulkusuojattu toimintavarma eristävä muuntaja. Muuntajalähtö on eristetty sähköisesti sähköverkosta.
-  Laturi kytkeytyy automaattisesti pois päältä, jos ympäröivä lämpötila nousee liian korkeaksi. Tällöin laturia ei voi enää käyttää. Irrota laturi sähköverkosta ja toimita se valtuutettuun huoltoliikkeeseen korjattavaksi.



Laturi on tarkoitettu ainoastaan sisäkäyttöön.

Yleiskuvaus

Tässä työkalussa on joitakin tai kaikki seuraavista ominaisuuksista.

1. Virtakytkin
2. Astian vapautuspainike
3. Pölyastia
4. Laturi
5. Latauspidike

Kuva A

6. Kankainen kuivakeräyssuodatin (vain NV2410N, NV2420N, NV3610N, NV3620N, NV4820N, NV4820CN & NV7210N)
7. Esisuodatin (vain NV2410N, NV2420N, NV3610N, NV3620N, NV4820N, NV4820CN & NV7210N)
8. Märkä/kuiva vaahtomuovikappale (vain NW3620N ja NW4820N)
9. Märkä/kuiva ohjain (vain NW3620N ja NW4820N)

Kuva B

10. Ikkunalasta (vain NW3620N ja NW4820N)
11. Harjasuulake (vain NV2420N, NV3620N, NV4820N ja NV4820CN)
12. Rakosuulake (vain NV2420N, NV3620N, NV4820N ja NV4820CN)

Huomautus: Tarvikkeet voi säilyttää sovittamalla ne laitteen etuosan. Malleihin, jotka ovat mukana sekä harjalla ja rakosuuttimen ensin sopivat pensselin laitteen etuosan sitten sopivat rakosuutin osaksi harja varastointi.

Asennus

Seinäkiinnitys (kuva C)

Laitte voidaan kiinnittää seinään, ja se on kätevä laitteen säilytys- ja latauspaikka. Varmista seinäkiinnityksessä, että kiinnitystapa on seinätyyppiin ja laitteen painoon nähden sopiva.

- ◆ Merkitse ruuvinreikien paikat (oltava pistorasian lähellä, jotta imuria voidaan ladata, kun se on seinätelineessä).
- ◆ Kiinnitä asennuspidike seinään käyttämällä seinän tyyppiin ja laitteen painon mukaisia ruuveja ja asennustulppia.
- ◆ Kiinnitä laite seinälle kohdistamalla imurin pohjassa oleva aukko seinätelineen latauspitimessä oleviin koukkuihin.

Kokoaminen

Lisävarusteet (kuva B)

Näiden mallien mukana voidaan toimittaa seuraavat lisävarusteet:

- ◆ Ikkunalastatyökalu (10) tarkoitettu kovilla pinnoilla märkään käyttöön.
- ◆ Harjasuulake (11), tarkoitettu huonekalujen ja portaiden imurointiin.
- ◆ Rakosuulake (12), tarkoitettu ahtaiden tilojen imurointiin.

Kiinnittäminen (kuva D)

- ◆ Kiinnitä haluamasi lisävaruste laitteen nokkaan. Varmista, että lisävaruste on työnnetty kokonaan sisään.

Käyttö

- ◆ Ennen ensimmäistä käyttökertaa akkua on ladattava vähintään 24 tuntia.
- ◆ Aseta laite latauspidikkeeseen aina, kun et käytä laitetta.

Varoitus! Poista laitteesta kaikki nestemäinen sisältö ja kuivaa laite huolellisesti ennen lataamista, jotta se ei vahingoitu.

Akun lataaminen (kuva C)

- ◆ Varmista, että laite on kytketty pois päältä. Akku ei lataudu, jos laitteen virta on kytkettynä virtakytkimestä.
- ◆ Aseta laite latauspidikkeeseen (5).
- ◆ Kytke laturi pistorasiaan. Kytke virta.
- ◆ Anna laitteen latautua vähintään 21 tuntia.

Laturi saattaa lämmentä latautuessaan. Tämä on normaalia eikä ole merkki ongelmasta. Laitte voidaan jättää laturiin vaikka kuinka pitkäksi aikaa.

Varoitus! Älä lataa akkua, jos ympäristön lämpötila on alle +10 °C tai yli +40 °C.

Huomautus: Varmista, että laite on kunnolla kiinni lataustelineeseen. Jos laite ei ole täysin paikallaan niin laite ei lataudu.

Käynnistys ja pysäytys (kuva E)

- ◆ Käynnistä laite siirtämällä virtakytkin (1) eteenpäin asentoon 1.
- ◆ Sammuta laite siirtämällä virtakytkin (1) takaisin asentoon 0.

Kuivakeräyysuodatin (vain NV2410N, NV2420N, NV3610N, NV3620N, NV4820N, NV4820CN & NV7210N)

- ◆ Tarkoitettu kuivien aineiden jokapäiväiseen keräämiseen.

Märkä- ja kuivakeräys (vain NW3620N ja NW4820N)

- ◆ Käytä laitetta kuivien aineiden jokapäiväiseen keräämiseen ilman ikkunalastalisätarviketta.

Varoitus! Laitteella voi kerätä vain pieniä määriä kuivia aineita.

- ◆ Laitetta voi käyttää myös nesteiden keräämiseen. Käytä kovilla, kosteutta imevillä pinnoilla ikkunalastalisätarviketta. Laitte siivoaa märät roiskeet nestettä imeviltä pinnoilta (kuten matolta) paremmin ilman lisätarviketta.
- ◆ Kovilta pinnoilta märät roiskeet pystyy keräämään parhaiten asettamalla ikkunalastan astian suuttimen aukkoon.
- ◆ Parhaat tulokset tätä tarviketta käytettäessä saat pitämällä laitetta 45°:n kulmassa ja vetämällä sitä hitaasti itseäsi kohti.
- ◆ Älä anna astian täytyä imuaukon yli. Jos astiassa on nestettä, älä käännä laitetta ylösalaisin tai sivuittain, suuntaa suutinta ylöspäin tai ravista imuria voimakkaasti.
- ◆ Puhdista laite ja suodatin välittömästi nestemäisten aineiden keräämisen jälkeen. Laitteessa voi muodostua hometta, jos sitä ei puhdisteta kunnolla märkien aineiden keräämisen jälkeen.
- ◆ Poista laitteesta kaikki nestemäinen sisältö ja kuivaa laite huolellisesti ennen lataamista, jotta se ei vahingoitu.

Imutehon optimointi

Jotta imuteho pysyisi mahdollisimman hyvänä, suodattimet on puhdistettava säännöllisesti käytön aikana.

Laitteen tyhjentäminen ja puhdistaminen.

Pölyastian ja suodattimien irrottaminen (kuva F & G).

Varoitus! Suodattimet ovat uudelleen käytettäviä, ja ne on puhdistettava säännöllisesti.

- ◆ Paina astian vapautussalppaa (2) ja vedä pölyastia (3) irti.
- ◆ Pitele pölyastiaa roskakorin tai pesualtaan yläpuolella, vedä suodatin irti ja tyhjennä astian sisältö.
- ◆ Kiinnitä pölyastia takaisin kahvaan painamalla sitä, kunnes se napsahtaa kunnolla paikalleen.

Varoitus! Älä koskaan käytä laitetta ilman suodattimia. Parhaan puhdistustuloksen saa vain, kun suodattimet ovat puhtaat.

Vaahtomuovikappale (kuva H) (vain NW3620N ja NW4820N)

- ◆ Kiinnitä vaahtomuovikappale (8) märän/kuivan ohjaimen (9) keskelle .

Varoitus! Älä koskaan käytä laitetta märissä käyttökohteissa ilman vesiohjainta ja vaahtomuovikappaletta.

Esisuodatin (kuva I) (vain NV2410N, NV2420N, NV3610N, NV3620N, NV4820N, NV4820CN & NV7210N)

Puhdistusta voidaan tehostaa irrottamalla suodatin ja esisuodatin toisistaan.

- ◆ Kierrä esisuodatinta /7) vastapäivään ja nosta se irti suodattimesta (6).

Pölyastioiden ja suodattimien puhdistaminen

- ◆ Pölyastiat ja suodattimet voidaan pestä lämpimällä saippuavedellä.
- ◆ Varmista ennen uudelleenasetusta, että suodattimet ja pölyastia ovat täysin kuivia.

Suodattimien vaihtaminen

Suodattimet on hyvä vaihtaa 6–9 kuukauden välein ja aina, kun ne ovat kuluneet tai vahingoittuneet.

Vaihtosuodattimia saat Black & Decker -jälleenmyyjältä:

Mallissa Malleissa NV2410N, NV2420N, NV3610N, NV3620N, NV4820N, NV4820CN & NV7210N käytetään suodatinta, jonka osanumero on FLVD10-XJ.

Mallissa NW3620N ja NW4820N käytettävän suodattimen osanumero on FLWD10-XJ.

Huolto

Verkkojohdolla varustettu tai verkkojohdoton Black & Deckerin laite/työkalu on suunniteltu toimimaan mahdollisimman kauan mahdollisimman vähällä huollolla. Oikealla huollolla ja säännöllisellä puhdistuksella työkalu säilyttää suorituskykynsä.

Varoitus! Toimi ennen verkkojohdolla varustetun tai verkkojohdoton sähkötyökalun huoltoa seuraavasti:

- ◆ Sammuta laite/työkalu ja irrota se verkkovirrasta.
- ◆ Jos laitteessa/työkalussa on erillinen akku, sammuta laite/työkalu ja irrota sen akku.
- ◆ Jos akku on kiinteä, käytä akku täysin loppuun ja sammuta laite/työkalu sitten.
- ◆ Irrota laturi pistorasiasta ennen laturin puhdistamista. Laturi ei tarvitse säännöllisen puhdistamisen lisäksi mitään muuta huoltoa.
- ◆ Puhdista laitteen/työkalun/laturin ilma-aukot säännöllisesti pehmeällä harjalla tai kuivalla kangasliinalla.
- ◆ Puhdista moottorikotelo säännöllisesti kostealla liinalla. Älä koskaan käytä puhdistamiseen liuotainaineita tai syövyttäviä puhdistusaineita.

Ympäristönsuojelu



Erillinen keräys. Tätä tuotetta ei saa hävittää normaalin kotitalousjätteen mukana.

Kun Black & Decker -laitteesi aikanaan täytyy vaihtaa tai ei kelpaa enää käyttöön, älä hävitä laitetta kotitalousjätteen mukana. Toimita laite kierrätettäväksi.



Käytettyjen tuotteiden ja pakkausmateriaalien erilliskeruun avulla materiaalit voidaan kierrättää ja käyttää uudelleen. Kierrätysmateriaalien käyttö auttaa vähentämään ympäristön saastumista ja uusien raaka-aineiden tarvetta.

Paikallisissa säädöksissä voidaan määrätä, että kodin sähkötuotteiden keruu tapahtuu kaupunkien jätteidenkäsittelyasemilla tai laitteita myyvissä liikkeissä uuden tuotteen oston yhteydessä.

Kun laitteesi on käytetty loppuun, älä hävitä sitä tavallisten roskien mukana, Vie tuotteesi valtuutettuun huoltoliikkeeseen, joka kerää vanhat laitteet puolestamme.

Saat valtuutettujen huoltoliikkeiden yhteystiedot ottamalla yhteyden Black & Decker Oy:hyn tässä käyttöoppaassa ilmoitetussa osoitteessa. Valtuutettujen Black & Decker -huoltoliikkeiden yhteystiedot sekä lisätietoja palveluistamme ja takuuehdoista on myös Internetissä osoitteessa www.2helpU.com

Akku



Jos haluat hävittää laitteen itse, akku on poistettava alla kuvatulla tavalla ja hävitettävä paikallisten säädösten mukaisesti.

- ◆ On suositeltavaa tyhjentää akku käyttämällä laitetta, kunnes moottori pysähtyy.
- ◆ Paina astian vapautuspainiketta (2) ja irrota pölyastia (3).
- ◆ Avaa laitteen runkoa koossa pitävät viisi ruuvia.
- ◆ Nosta kotelon kansi irti laitteesta.
- ◆ Irrota kaikki johtimet akusta.
- ◆ Irrota akku- ja moottoriyksikkö.
- ◆ Pakkaa akut ja moottoriyksikkö niin, että navat eivät aiheuta oikosulkua.
- ◆ Toimita akku ja moottoriyksikkö huoltoliikkeeseen tai paikalliseen kierrätyspisteeseen.

Kun akku on irrotettu, sitä ei voi asettaa enää paikalleen.

Tekniset tiedot

		NV2410N (H1) NV2420N (H1)	NV3610N (H1) NV3620N (H1) NW3620N (H1)	NV4820N (H1) NW4820N (H1)	NV4820CN (H1)	NV7210N (H1)
Jännite	V _{dc}	2.4	3.6	4.8	4.8	7.2
Paristo	Tyyppi	NiMH	NiMH	NiMH	NiMH	NiMH
Paino	kg	0.66	0.74	0.77	0.8	0.86

		NV2410N (H1) NV2420N (H1)	NV3610N (H1) NV3620N (H1) NW3620N (H1)	NV4820N (H1) NW4820N (H1)	NV4820CN (H1)	NV7210N (H1)
Laturi		VA035015D BA035015D	VA050020D BA050020D	VA070015D BA070015D	SSC- 180008EU SSC- 180008UK	SSC- 180008EU SSC- 180008UK
Syöttöjännite	V _{ac}	230	230	230	100-240	100-240
Lähtöjännite	V	3.5 _{ac}	5 _{ac}	7 _{ac}	27 _{dc}	27 _{dc}
Virta	mA	150	200	150	85	85
Summittainen latausaika	h	14	14	14	21	21
Paino	kg	0.2	0.21	0.2	0.06	0.06

Takuu

Black & Decker takaa, ettei tuotteessa ole materiaali- ja/tai valmistusvikaa silloin, kun se toimitetaan ostajalle. Takuu on lisäys kuluttajan laillisiin oikeuksiin eikä vaikuta niihin. Takuu on voimassa Euroopan unionin jäsenmaissa ja Euroopan vapaakauppa-alueella (EFTA).

Mikäli Black & Decker -kone hajoaa materiaali- ja/tai valmistusvirheen tai teknisten tietojen epätarkkuuden vuoksi 24 kk:n kuluessa ostopäivästä, Black & Decker korjaa koneen ilman kustannuksia ostajalle tai vaihtaa sen Black & Decker Oy:n valinnan mukaan. Takuu ei kata vikoja, jotka johtuvat seuraavista:

- ◆ Tuotetta on käytetty kaupallisesti, ammattimaisesti tai vuokraukseen.
- ◆ Tuotetta on käytetty tai hoidettu virheellisesti.
- ◆ Tuotetta on vahingoitettu vieraalla esineellä tai aineella tai se on ollut onnettomuudessa.
- ◆ Jos korjauksia on yrittänyt joku muu kuin Black & Deckerin valtuuttama edustaja tai Black & Deckerin henkilökunta.

Edellytyksenä takuun saamiselle on, että ostaja jättää koneen ja ostokuitin jälleenympyjälle tai valtuutetulle huoltoliikkeelle. Saat valtuutettujen huoltoliikkeiden yhteystiedot ottamalla yhteyden Black & Decker Oy:hyn tässä käyttöoppaassa ilmoitetussa osoitteessa. Valtuutettujen Black & Decker -huoltoliikkeiden yhteystiedot sekä lisätietoja palveluistamme ja takuuehdoista on myös Internetissä osoitteessa www.2helpU.com

Voit rekisteröidä uuden Black & Decker -tuotteesi ja tarkastella tietoja uusista tuotteista ja erikoistarjousista verkkosivuillamme www.blackanddecker.fi. Saat lisätietoja Black & Deckerin tavaramerkistä ja tuotevalikoimastamme osoitteesta www.blackanddecker.fi.

Ενδειγμένη χρήση

Το ηλεκτρικό σκουπάκι χειρός Black & Decker Dustbuster® έχει σχεδιαστεί για ελαφρύ ηλεκτρικό σκούπισμα στεγνών επιφανειών (NV2410N, NV2420N, NV3610N, NV3620N, NV4820N, NV4820CN & NV7210N). Αυτή η συσκευή προορίζεται μόνο για οικιακή χρήση.

Το ηλεκτρικό σκουπάκι χειρός Black & Decker Dustbuster® έχει σχεδιαστεί για ελαφρύ ηλεκτρικό σκούπισμα υγρών και στεγνών επιφανειών (NW3620N & NW4820N). Αυτή η συσκευή προορίζεται μόνο για οικιακή χρήση.

Οδηγίες ασφαλείας



Προειδοποίηση! Διαβάστε όλες τις προειδοποιήσεις ασφαλείας και όλες τις οδηγίες. Η μη τήρηση των παρακάτω προειδοποιήσεων και οδηγιών μπορεί να προκαλέσει ηλεκτροπληξία, πυρκαγιά ή/και σοβαρούς τραυματισμούς.



Προειδοποίηση! Κατά τη χρήση συσκευών που τροφοδοτούνται με μπαταρία, θα πρέπει να λαμβάνονται οι βασικές προφυλάξεις ασφαλείας, συμπεριλαμβανομένων των παρακάτω, για τον περιορισμό του κινδύνου πυρκαγιάς, διαρροής υγρών μπαταρίας, τραυματισμού προσώπων και υλικών ζημιών.

- Πριν χρησιμοποιήσετε τη συσκευή διαβάστε προσεκτικά ολόκληρο το εγχειρίδιο.
- Η προοριζόμενη χρήση περιγράφεται σε αυτό το εγχειρίδιο. Τόσο η χρήση εξαρτημάτων ή προσαρτημάτων όσο και η πραγματοποίηση εργασιών με τη συσκευή που δε συνιστώνται σε αυτό το εγχειρίδιο οδηγούν εγγυημένο κίνδυνο τραυματισμού.
- Φυλάξτε αυτό το εγχειρίδιο για μελλοντική αναφορά.

Χρήση της συσκευής σας

- Μη χρησιμοποιείτε τη συσκευή για να περισυλλέξετε υγρά ή άλλα υλικά που θα μπορούσαν να πιάσουν φωτιά.
- Μη χρησιμοποιείτε τη συσκευή κοντά σε νερό.

- Μη βυθίζετε τη συσκευή μέσα σε νερό.
- Ποτέ μην αποσυνδέετε το φορτιστή από την πρίζα τραβώντας τον από το καλώδιό του. Διατηρείτε το καλώδιο φορτιστή σε απόσταση από πηγές θερμότητας, λάδια και κοφτερές αιχμές.
- Αυτή η συσκευή μπορεί να χρησιμοποιηθεί από παιδιά ηλικίας 8 ετών και άνω καθώς και από άτομα με μειωμένες φυσικές, αντιληπτικές ή διανοητικές ικανότητες ή άτομα χωρίς εμπειρία και γνώσεις, μόνο εφόσον επιτηρούνται ή τους έχουν δοθεί οδηγίες σχετικά με την ασφαλή χρήση της συσκευής και έχουν κατανοήσει τους πιθανούς κινδύνους. Τα παιδιά δεν πρέπει να παίζουν με τη συσκευή. Ο καθαρισμός και η συντήρηση δεν πρέπει να γίνεται από τα παιδιά χωρίς επίβλεψη.

Έλεγχος και επισκευή

- Πριν από τη χρήση, ελέγξτε τη συσκευή για τυχόν κατεστραμμένα ή ελαττωματικά εξαρτήματα. Ελέγξτε αν υπάρχουν σπασμένα εξαρτήματα, ζημιά σε διακόπτες και οτιδήποτε άλλο που μπορεί να επηρεάσει τη λειτουργία της.
- Μη χρησιμοποιείτε τη συσκευή εάν οποιοδήποτε εξάρτημα είναι κατεστραμμένο ή ελαττωματικό.
- Φροντίστε να γίνει η επισκευή ή η αντικατάσταση των τυχόν ελαττωματικών εξαρτημάτων από εξουσιοδοτημένο κέντρο επισκευών.
- Να ελέγχετε τακτικά την κατάσταση του καλωδίου του φορτιστή. Σε περίπτωση που το καλώδιο του φορτιστή παρουσιάζει ζημιά ή ελάττωμα, αντικαταστήστε το φορτιστή.
- Μην επιχειρήσετε ποτέ να αφαιρέσετε ή να αντικαταστήσετε οποιοδήποτε εξάρτημα, εκτός από αυτά που καθορίζονται σε αυτό το εγχειρίδιο.

Πρόσθετες οδηγίες ασφαλείας

Αναπόφευκτοι κίνδυνοι.

Ενδέχεται να δημιουργηθούν επιπρόσθετοι αναπόφευκτοι κίνδυνοι όταν χρησιμοποιείτε το εργαλείο, οι οποίοι ενδέχεται να μη συμπεριλαμβάνονται στις προειδοποιήσεις ασφαλείας που εσωκλείονται. Αυτοί οι κίνδυνοι μπορεί να προκληθούν από κακή χρήση, παρατεταμένη χρήση κτλ.

Ακόμα και με την τήρηση των σχετικών κανονισμών ασφαλείας και τη χρήση μέσων προστασίας, ορισμένοι κίνδυνοι δεν είναι δυνατό να εξαλειφθούν. Αυτοί περιλαμβάνουν:

- Τραυματισμούς από το άγγιγμα οποιωνδήποτε κινούμενων εξαρτημάτων.
- Τραυματισμούς από το άγγιγμα των καυτών εξαρτημάτων.
- Τραυματισμούς από αλλαγή οποιωνδήποτε εξαρτημάτων ή αξεσουάρ.
- Τραυματισμοί που προκαλούνται από παρατεταμένη χρήση του εργαλείου. Όταν χρησιμοποιείτε οποιαδήποτε συσκευή για παρατεταμένες χρονικές περιόδους βεβαιωθείτε ότι κάνετε τακτικά διαλείμματα.

Μπαταρίες και φορτιστές

Μπαταρίες

- Μην επιχειρήσετε ποτέ να ανοίξετε τις μπαταρίες για οποιονδήποτε λόγο.
- Μην εκθέτετε την μπαταρία σε νερό.
- Μην εκθέτετε την μπαταρία σε θερμότητα.
- Μη φυλάσσετε τις μπαταρίες σε μέρη όπου η θερμοκρασία μπορεί να υπερβεί τους 40°C.
- Η φόρτιση πρέπει να γίνεται μόνο σε θερμοκρασίες περιβάλλοντος μεταξύ 10°C και 40°C.
- Η φόρτιση πρέπει να γίνεται μόνο με το φορτιστή που παρέχεται μαζί με τη συσκευή/εργαλείο. Η χρήση άλλου φορτιστή μπορεί να προκαλέσει ηλεκτροπληξία ή υπερθέρμανση της μπαταρίας.

- Όταν απορρίπτετε τις μπαταρίες, ακολουθήστε τις οδηγίες που δίνονται στην ενότητα "Προστασία του περιβάλλοντος".
- Μην καταστρέφετε/παραμορφώνετε την μπαταρία είτε τρυπώντας ή χτυπώντας την, διότι μπορεί να προκληθεί κίνδυνος τραυματισμού ή πυρκαγιάς.
- Μη φορτίζετε τις κατεστραμμένες μπαταρίες.
- Κάτω από ακραίες συνθήκες, μπορεί να επέλθει διαρροή υγρών μπαταρίας. Αν παρατηρήσετε υγρό πάνω στις μπαταρίες, σκουπίστε το προσεκτικά με ένα πανί. Αποφύγετε την επαφή με το δέρμα.
- Στην περίπτωση επαφής με το δέρμα ή τα μάτια, ακολουθήστε τις παρακάτω οδηγίες.

Προειδοποίηση! Το υγρό της μπαταρίας μπορεί να προκαλέσει τραυματισμό ή υλικές ζημιές. Στην περίπτωση επαφής με το δέρμα, ξεπλύνετε αμέσως με άφθονο νερό. Αν παρουσιαστεί κοκκίνισμα του δέρματος, πόνος ή ερεθισμός, ζητήστε ιατρική βοήθεια. Στην περίπτωση επαφής με τα μάτια, ξεπλύνετε αμέσως με άφθονο καθαρό νερό και ζητήστε ιατρική βοήθεια.

Φορτιστές

Ο φορτιστής σας είναι σχεδιασμένος για μια συγκεκριμένη ηλεκτρική τάση. Ελέγχετε πάντα αν η τάση τροφοδοσίας αντιστοιχεί σε αυτήν που αναγράφεται στην πινακίδα χαρακτηριστικών.

Προειδοποίηση! Ποτέ μην επιχειρείτε να αντικαταστήσετε τη μονάδα φορτιστή με έναν κανονικό ρευματολήπτη.




- Ο φορτιστής Black & Decker πρέπει να χρησιμοποιείται αποκλειστικά και μόνο για τη φόρτιση της μπαταρίας της συσκευής/του εργαλείου που συνόδευε. Αν χρησιμοποιηθεί για άλλες μπαταρίες, αυτές μπορεί να εκραγούν, προκαλώντας τραυματισμό και ζημιές.
- Μην επιχειρήσετε ποτέ να φορτίσετε μη επαναφορτιζόμενες μπαταρίες.

- Αν το καλώδιο ρεύματος έχει υποστεί φθορά, πρέπει να αντικατασταθεί από τον κατασκευαστή ή από ένα εξουσιοδοτημένο κέντρο επισκευών της Black & Decker, ώστε να μην αποτελέσει κίνδυνο.
- Μην εκθέτετε το φορτιστή σε νερό.
- Μην ανοίγετε το φορτιστή.
- Μην επεμβαίνετε στο φορτιστή.
- Κατά τη φόρτιση, η συσκευή/το εργαλείο/ή μπαταρία πρέπει να βρίσκεται σε καλά αεριζόμενο χώρο.

Ασφαλής χρήση ηλεκτρικού ρεύματος

Ο φορτιστής σας είναι σχεδιασμένος για μια συγκεκριμένη ηλεκτρική τάση. Ελέγχετε πάντα αν η τάση τροφοδοσίας αντιστοιχεί σε αυτήν που αναγράφεται στην πινακίδα χαρακτηριστικών. Ποτέ μην επιχειρείτε να αντικαταστήσετε τη μονάδα φορτιστή με έναν κανονικό ρευματολήπτη.

Σύμβολα επάνω στο φορτιστή

-  Πριν χρησιμοποιήσετε τη συσκευή διαβάστε προσεκτικά ολόκληρο το εγχειρίδιο.
-  Αυτή η συσκευή διαθέτει διπλή μόνωση, επομένως δεν απαιτείται καλώδιο γείωσης. Ελέγχετε πάντοτε εάν η τάση τροφοδοσίας συμφωνεί με αυτήν που αναγράφεται στην πινακίδα τεχνικών χαρακτηριστικών.
-  Μονωτικός μετασχηματιστής ασφαλείας που δε βραχυκυκλώνει. Η τροφοδοσία δικτύου είναι ηλεκτρικά διαχωρισμένη από την έξοδο του μετασχηματιστή.



Ο φορτιστής απενεργοποιείται αυτόματα όταν η θερμοκρασία περιβάλλοντος ανέβει υπερβολικά με συνέπεια ο φορτιστής να αχρηστεύεται. Η βάση φόρτισης θα πρέπει να αποσυνδεθεί από την πρίζα και να μεταφερθεί σε ένα εξουσιοδοτημένο κέντρο για επισκευή.



Η βάση φόρτισης προορίζεται για χρήση σε εσωτερικούς χώρους μόνο.

Χαρακτηριστικά

Αυτό το εργαλείο διαθέτει μερικά από ή όλα τα παρακάτω χαρακτηριστικά.

1. Διακόπτης on/off
2. Κουμπί αποδέσμευσης κάδου
3. Κάδος συλλογής σκόνης
4. Φορτιστής
5. Βραχίονας φόρτισης

Εικ. Α

6. Υφασμάτινο φίλτρο για ξηρή περισυλλογή (NV2410N, NV2420N, NV3610N, NV3620N, NV4820N, NV4820CN & NV7210N μόνο)
7. Προ-φίλτρο (NV2410N, NV2420N, NV3610N, NV3620N, NV4820N, NV4820CN & NV7210N μόνο)
8. Αφρώδες παρέμβυσμα για υγρή/ξηρή περισυλλογή (NW3620N & NW4820N μόνο)
9. Εκτροπέας για υγρή/ξηρή περισυλλογή (NW3620N & NW4820N μόνο)

Εικ. Β

10. Εξάρτημα περισυλλογής υγρών (NW3620N & NW4820N μόνο)
11. Εξάρτημα βούρτσας (NV2420N, NV3620N, NV4820N & NV4820CN μόνο)
12. Εξάρτημα για χαραμάδες (NV2420N, NV3620N, NV4820N & NV4820CN μόνο)

Σημείωση: Τα εξαρτήματα μπορούν να αποθηκευτούν με προσαρμογή τους στο μπροστινό μέρος της συσκευής. Για τα μοντέλα που διατίθενται τόσο με μια βούρτσα και εξάρτημα για κοιλοότητες, κατάλληλα για πρώτη φορά το πινέλο στο μπροστινό μέρος της συσκευής ταιριάζουν τότε το εξάρτημα για κοιλοότητες μέσα στο πινέλο για αποθήκευση.

Εγκατάσταση

Επίτοιχη τοποθέτηση (εικ. C)

Η συσκευή αυτή μπορεί να εγκατασταθεί πάνω στον τοίχο για εύκολη φύλαξη και φόρτιση.

Όταν τη στερεώνετε στον τοίχο, να βεβαιώνετε ότι η μέθοδος στερέωσης είναι κατάλληλη για τον τύπο τοίχου και το βάρος της συσκευής.

- ◆ Σημειώστε τις θέσεις των οπών για τις βίδες (σε κοντινή απόσταση από μια πρίζα για τη φόρτιση της συσκευής, όσο βρίσκεται στο επίτοιχο στήριγμα).
- ◆ Στερεώστε το βραχίονα τοποθέτησης στον τοίχο, χρησιμοποιώντας κατάλληλες βίδες και ούπα για τον τύπο τοίχου και το βάρος της συσκευής.

- ◆ Αναρτήστε τη συσκευή στον τοίχο τοποθετώντας το άνοιγμα στη βάση της συσκευής πάνω από τα άγκιστρα στο βραχίονα επίτοιχης τοποθέτησης για τη φόρτιση.

Συναρμολόγηση

Αξεσουάρ (εικ. Β)

Με τα μοντέλα αυτά μπορεί να παρέχονται μερικά από τα παρακάτω εξαρτήματα:

- ◆ Ένα εξάρτημα περισυλλογής υγρών (10) για την απορρόφηση υγρών σε σκληρές επιφάνειες.
- ◆ Μία βούρτσα (11) για έπιπλα και σκάλες.
- ◆ Ένα εξάρτημα για χαραμάδες (12) για περιορισμένους χώρους.

Τοποθέτηση (Εικ. D)

- ◆ Εισαγάγετε το κατάλληλο εξάρτημα στο μπροστινό μέρος της συσκευής. Βεβαιωθείτε ότι έχετε εισαγάγει εντελώς μέσα το αξεσουάρ.

Χρήση

- ◆ Πριν από την πρώτη χρήση, η μπαταρία θα πρέπει να έχει φορτιστεί για 24 ώρες τουλάχιστον.
- ◆ Όταν η συσκευή δε χρησιμοποιείται θα πρέπει να τοποθετείται στο βραχίονα φόρτισης.

Προειδοποίηση! Πριν τη φόρτιση, βεβαιωθείτε ότι έχετε αδειάσει όλο το υγρό περιεχόμενο και στεγνώστε καλά, για την αποφυγή πρόκλησης ζημιών στη συσκευή.

Φόρτιση της μπαταρίας (Εικ. C)

- ◆ Βεβαιωθείτε ότι η συσκευή είναι απενεργοποιημένη. Η μπαταρία δε φορτίζεται όταν ο διακόπτης λειτουργίας είναι στη θέση "on".
- ◆ Τοποθετήστε τη συσκευή πάνω στο βραχίονα φόρτισης (5).
- ◆ Συνδέστε το φορτιστή στην πρίζα. Ενεργοποιήστε από το δίκτυο.
- ◆ Αφήστε τη συσκευή να φορτίσει τουλάχιστον για 21 ώρες.

Κατά τη φόρτιση, ο φορτιστής μπορεί να θερμανθεί. Αυτό είναι φυσιολογικό και δεν υποδεικνύει κάποιο πρόβλημα. Η συσκευή μπορεί να μείνει συνδεδεμένη στο φορτιστή για αόριστο χρονικό διάστημα.

Προειδοποίηση! Μη φορτίζετε την μπαταρία σε θερμοκρασίες περιβάλλοντος κάτω από 10°C ή πάνω από 40°C.

Σημείωση: Βεβαιωθείτε ότι η συσκευή είναι πλήρως κάθεται επάνω βάση φόρτισης. Εάν η συσκευή δεν έχει τοποθετηθεί πλήρως, τότε η συσκευή δεν θα χρεώσει.

Ενεργοποίηση και απενεργοποίηση (εικ. Ε)

- ◆ Για να θέσετε τη συσκευή σε λειτουργία, σύρετε το διακόπτη on/off (1) προς τα εμπρός στη θέση 1.
- ◆ Για να απενεργοποιήσετε τη συσκευή, μετατοπίστε το διακόπτη on/off (1) προς τα πίσω στη θέση 0.

Ξηρή περισυλλογή (NV2410N, NV2420N, NV3610N, NV3620N, NV4820N, NV4820CN & NV7210N μόνο)

- ◆ Για καθημερινές διαρροές ξηρών υλικών.

Υγρή και ξηρή περισυλλογή (NW3620N & NW4820N μόνο)

- ◆ Για καθημερινές διαρροές ξηρών υλικών, χρησιμοποιήστε τη συσκευή σας χωρίς το εξάρτημα περισυλλογής υγρών.

Προειδοποίηση! Το προϊόν σας είναι σχεδιασμένο για μικρές μόνο διαρροές.

- ◆ Η συσκευή αυτή μπορεί να χρησιμοποιηθεί και για τη συλλογή καθημερινών υγρών διαρροών. Χρησιμοποιήστε το εξάρτημα περισυλλογής υγρών σε μη απορροφητικές, σκληρές επιφάνειες. Σε απορροφητικές επιφάνειες, όπως χαλιά, η συσκευή σας θα συλλέξει τα χυμένα υγρά καλύτερα χωρίς το εξάρτημα.
- ◆ Για την καλύτερη περισυλλογή υγρών σε σκληρή επιφάνεια, εισαγάγετε το εξάρτημα για υγρά στο άνοιγμα του ρύγχους του κάδου.
- ◆ Για καλύτερα αποτελέσματα όταν χρησιμοποιείτε το εξάρτημα, κρατάτε τη συσκευή υπό γωνία 45° και τραβήξτε την απαλά προς το μέρος σας.
- ◆ Μη γεμίζετε το κάδο πέρα από το άκρο της χόανης εισαγωγής. Εάν υπάρχει υγρό στον κάδο, μη γυρίσετε τη συσκευή ανάποδα, προς το πλάι, μην κατευθύνετε το ρύγχος προς τα επάνω, ή μην ανακινήσετε υπερβολικά την συσκευή.
- ◆ Μετά από την περισυλλογή υγρών ουσιών καθαρίστε αμέσως τη συσκευή και το φίλτρο. Μπορεί να δημιουργηθεί μούχλα εάν η συσκευή δεν καθαριστεί σωστά μετά από περισυλλογή υγρών.
- ◆ Πριν τη φόρτιση, βεβαιωθείτε ότι έχετε αδειάσει όλο το υγρό περιεχόμενο και στεγνώστε καλά, για την αποφυγή πρόκλησης ζημιών στη συσκευή.

Βελτιστοποίηση της δύναμης απορρόφησης

Για να κρατήσετε τη βέλτιστη δύναμη απορρόφησης, καθαρίζετε τα φίλτρα τακτικά κατά τη χρήση.

Άδειασμα και καθαρισμός της συσκευής.

Αφαίρεση του κάδου συλλογής σκόνης και των φίλτρων (Εικ. F & G).

Προειδοποίηση! Τα φίλτρα είναι επαναχρησιμοποιήσιμα και θα πρέπει να καθαρίζονται τακτικά.

- ◆ Πιέστε το κουμπί αποδέσμευσης κάδου (2) και τραβήξτε τον κάδο συλλογής σκόνης (3) για να τον αφαιρέσετε.
- ◆ Ενώ κρατάτε τον κάδο συλλογής σκόνης πάνω από ένα κάδο ή ένα νεροχύτη, τραβήξτε έξω το φίλτρο για να αδειάσετε το περιεχόμενο του κάδου.
- ◆ Για να επανατοποθετήσετε τον κάδο συλλογής σκόνης, τοποθετήστε τον πάνω στη λαβή μέχρι να ασφαλίσει καλά στη θέση του.

Προειδοποίηση! Μη χρησιμοποιείτε ποτέ τη συσκευή χωρίς τα φίλτρα. Η βέλτιστη περισυλλογή της σκόνης επιτυγχάνεται μόνο με καθαρά φίλτρα.

Αφρώδες παρέμβυσμα (εικ. H) (NW3620N & NW4820N μόνο)

- ◆ Τοποθετήστε το αφρώδες παρέμβυσμα (8) μέσα στο κέντρο του εκτροπέα υγρής/ξηρής περισυλλογής (9).

Προειδοποίηση! Ποτέ μη χρησιμοποιείτε τη συσκευή για περισυλλογή υγρών χωρίς να είναι τοποθετημένα ο εκτροπέας νερού και το αφρώδες παρέμβυσμα.

Προ-φίλτρο (εικ. I) (NV2410N, NV2420N, NV3610N, NV3620N, NV4820N, NV4820CN & NV7210N μόνο)

Το φίλτρο και το προ-φίλτρο μπορούν να διαχωριστούν για να καθαριστούν καλύτερα.

- ◆ Περιστρέψτε το προ-φίλτρο (7) αριστερόστροφα και ανασηκώστε το από το φίλτρο (6).

Καθαρισμός των κάδων συλλογής σκόνης και των φίλτρων

- ◆ Οι κάδοι συλλογής σκόνης και τα φίλτρα μπορούν να πλυθούν με ζεστό σαπουνόνερο.
- ◆ Βεβαιωθείτε ότι τα φίλτρα και ο κάδος συλλογής σκόνης είναι απόλυτα στεγνά πριν την επανατοποθέτηση.

Αντικατάσταση των φίλτρων

Τα φίλτρα θα πρέπει να αντικαθιστώνται κάθε 6 με 9 μήνες και όταν έχουν φθαρεί ή καταστραφεί.

Ανταλλακτικά φίλτρα είναι διαθέσιμα από τον αντιπρόσωπο της Black & Decker:

Για τα μοντέλα: NV2410N, NV2420N, NV3610N, NV3620N, NV4820N, NV4820CN & NV7210N χρησιμοποιήστε το φίλτρο με αριθμό ανταλλακτικού FLVD10-XJ

Για τα μοντέλα: NW3620N & NW4820N χρησιμοποιήστε το φίλτρο με αριθμό ανταλλακτικού FLWD10-XJ

Συντήρηση

Αυτό το εργαλείο με καλώδιο/χωρίς καλώδιο της Black & Decker έχει σχεδιαστεί έτσι ώστε να λειτουργεί για μεγάλο χρονικό διάστημα με την ελάχιστη δυνατή συντήρηση. Η αδιάλειπτη και ικανοποιητική λειτουργία εξαρτάται από τη σωστή φροντίδα του εργαλείου και τον τακτικό καθαρισμό του.

Προειδοποίηση! Πριν πραγματοποιήσετε οποιαδήποτε συντήρηση σε ηλεκτρικά εργαλεία με καλώδιο/χωρίς καλώδιο:

- ◆ Απενεργοποιήστε και αποσυνδέστε τη συσκευή/εργαλείο από την πρίζα.
- ◆ Ή απενεργοποιήστε και αφαιρέστε την μπαταρία από τη συσκευή/εργαλείο, εάν η συσκευή/εργαλείο διαθέτει ξεχωριστή μπαταρία.
- ◆ Ή χρησιμοποιήστε την μπαταρία μέχρι να αδειάσει εντελώς και, στη συνέχεια, απενεργοποιήστε τη συσκευή/εργαλείο.
- ◆ Πριν καθαρίσετε το φορτιστή, αποσυνδέστε τον από την πρίζα. Ο φορτιστής σας δεν απαιτεί κάποια συντήρηση εκτός του τακτικού καθαρισμού.
- ◆ Να καθαρίζετε τακτικά τις εγχοπές εξαερισμού της συσκευής/εργαλείου/φορτιστή με μια μαλακή βούρτσα ή με ένα στεγνό πανί.
- ◆ Να καθαρίζετε τακτικά το περίβλημα του μοτέρ με ένα υγρό πανί. Μην χρησιμοποιείτε λειαντικά υγρά καθαρισμού ή υγρά καθαρισμού που περιέχουν διαλυτικά.

Προστασία του περιβάλλοντος



Επιλεκτική περισυλλογή. Αυτό το προϊόν δεν πρέπει να απορρίπτεται μαζί με τα κοινά οικιακά απορρίμματα.

Εάν κάποια μέρα διαπιστώσετε ότι το προϊόν σας Black & Decker χρειάζεται αντικατάσταση ή ότι δεν το χρειάζεστε άλλο, μην το απορρίψετε μαζί με τα κοινά οικιακά απορρίμματα, αλλά διαθέστε αυτό το προϊόν για ξεχωριστή περισυλλογή.



Η ξεχωριστή περισυλλογή των μεταχειρισμένων προϊόντων και των υλικών συσκευασίας επιτρέπει την ανακύκλωση και επαναχρησιμοποίηση των υλικών. Με την επαναχρησιμοποίηση των ανακυκλωμένων υλικών αποτρέπεται η μόλυνση του περιβάλλοντος και μειώνεται η ζήτηση πρώτων υλών.

Οι κανονισμοί που ισχύουν στην περιοχή σας ενδέχεται να προβλέπουν την ξεχωριστή περισυλλογή των ηλεκτρικών συσκευών που προέρχονται από νοικοκυριά σε δημοτικές εγκαταστάσεις ή από τον έμπορο όταν αγοράσετε ένα καινούργιο προϊόν.

Η Black & Decker δίνει τη δυνατότητα ανακύκλωσης των προϊόντων της που έχουν συμπληρώσει τη διάρκεια ζωής τους. Για να χρησιμοποιήσετε αυτήν την υπηρεσία, επιστρέψτε το προϊόν σας σε οποιοδήποτε εξουσιοδοτημένο κέντρο επισκευών, όπου θα το παραλάβουν εκ μέρους μας.

Ενημερωθείτε για το πλησιέστερο εξουσιοδοτημένο κέντρο επισκευών της περιοχής σας, επικοινωνώντας με τα γραφεία της Black & Decker στη διεύθυνση που αναγράφεται στο εγχειρίδιο. Επίσης, μια λίστα με τα εξουσιοδοτημένα κέντρα επισκευών της Black & Decker και πλήρεις λεπτομέρειες για τις υπηρεσίες που παρέχονται μετά την πώληση καθώς και στοιχεία επικοινωνίας υπάρχουν στο Διαδίκτυο, στη διεύθυνση: www.2helpU.com

Μπαταρία



Εάν θέλετε να απαλλαγείτε μόνος σας από την μπαταρία, η μπαταρία θα πρέπει να αφαιρεθεί όπως περιγράφεται παρακάτω και να απορριφθεί σύμφωνα με τους κανονισμούς που ισχύουν στην περιοχή σας.

- ◆ Να αποφορτίζετε κατά προτίμηση την μπαταρία λειτουργώντας τη συσκευή μέχρι να σταματήσει το μοτέρ.
- ◆ Πατήστε το κουμπί αποδέσμευσης κάδου (2) και αφαιρέστε τον κάδο συλλογής σκόνης (3).
- ◆ Αφαιρέστε τις πέντε βίδες που συγκρατούν το σώμα του εργαλείου.
- ◆ Ανασηκώστε το κάλυμμα του περιβλήματος από το συγκρότημα.
- ◆ Αποσυνδέστε όλες τις συνδέσεις από την μπαταρία.
- ◆ Αφαιρέστε την μπαταρία και το συγκρότημα συναρμογή μοτέρ.
- ◆ Τοποθετήστε τη συστοιχία μπαταρίας και το συγκρότημα μοτέρ σε κατάλληλη συσκευασία, ώστε να είναι αδύνατο το βραχυκύκλωμα των πόλων.
- ◆ Παραδώστε τη συστοιχία μπαταρίας και το συγκρότημα μοτέρ σε εξουσιοδοτημένο κέντρο επισκευών ή σε ένα σταθμό ανακύκλωσης της περιοχής σας.

Αφού αφαιρεθεί, η μπαταρία δεν μπορεί να επανατοποθετηθεί.

Τεχνικά χαρακτηριστικά

		NV2410N (H1) NV2420N (H1)	NV3610N (H1) NV3620N (H1) NW3620N (H1)	NV4820N (H1) NW4820N (H1)	NV4820CN (H1)	NV7210N (H1)
Τάση	V _{dc}	2.4	3.6	4.8	4.8	7.2
Μπαταρία	Τύπος	NiMH	NiMH	NiMH	NiMH	NiMH
Βάρος	kg	0.66	0.74	0.77	0.8	0.86

		NV2410N (H1) NV2420N (H1)	NV3610N (H1) NV3620N (H1) NW3620N (H1)	NV4820N (H1) NW4820N (H1)	NV4820CN (H1)	NV7210N (H1)
Φορτιστής		VA035015D BA035015D	VA050020D BA050020D	VA070015D BA070015D	SSC- 180008EU SSC- 180008UK	SSC- 180008EU SSC- 180008UK
Τάση εισόδου	V _{ac}	230	230	230	100-240	100-240
Τάση εξόδου	V	3.5 _{ac}	5 _{ac}	7 _{ac}	27 _{dc}	27 _{dc}
Ρεύμα	mA	150	200	150	85	85
Κατά προσέγγιση χρόνος φόρτισης	h	14	14	14	21	21
Βάρος	kg	0.2	0.21	0.2	0.06	0.06

Εγγύηση

Η Black & Decker είναι σίγουρη για την ποιότητα των προϊόντων της και παρέχει εξαιρετική εγγύηση. Η παρούσα γραπτή εγγύηση αποτελεί πρόσθετο δικαίωμά σας και δεν ζημιώνει τα νόμιμα δικαιώματά σας. Η εγγύηση ισχύει εντός της επικράτειας των Κρατών Μελών της Ευρωπαϊκής Ένωσης και της Ευρωπαϊκής Ζώνης Ελευθέρων Συναλλαγών.

Σε περίπτωση που κάποιο προϊόν της Black & Decker παρουσιάσει βλάβη εξαιτίας ελαττωματικών υλικών, ποιότητας εργασίας ή έλλειψης συμφωνίας με τις προδιαγραφές εντός 24 μηνών από την ημερομηνία αγοράς, η Black & Decker εγγυάται την αντικατάσταση των ελαττωματικών τμημάτων, την επισκευή προϊόντων που έχουν υποστεί εύλογη φθορά λόγω χρήσης ή την αντικατάσταση των προϊόντων προκειμένου να εξασφαλίσει την ελάχιστη ενόχληση στους πελάτες της, εκτός εάν:

- ◆ Το προϊόν έχει χρησιμοποιηθεί σε εργασιακό, επαγγελματικό περιβάλλον ή έχει εννοικιαστεί.
- ◆ Έχει γίνει εσφαλμένη χρήση του προϊόντος ή έχει παραμεληθεί.
- ◆ Το προϊόν έχει υποστεί βλάβη από άλλα αντικείμενα, από ουσίες ή λόγω ατυχήματος.
- ◆ Έχει γίνει προσπάθεια επισκευής από μη εξουσιοδοτημένα κέντρα επισκευών ή από τεχνικούς που δεν ανήκουν στο προσωπικό της Black & Decker.

Για να ισχύσει η εγγύηση, πρέπει να υποβάλετε απόδειξη αγοράς στον πωλητή ή το εξουσιοδοτημένο κέντρο επισκευών. Ενημερωθείτε για το πλησιέστερο εξουσιοδοτημένο κέντρο επισκευών της περιοχής σας, επικοινωνώντας με τα γραφεία της Black & Decker στη διεύθυνση που αναγράφεται στο εγχειρίδιο. Επίσης, μια λίστα με τα εξουσιοδοτημένα κέντρα επισκευών της Black & Decker και πλήρεις λεπτομέρειες για τις υπηρεσίες που παρέχονται μετά την πώληση, καθώς και στοιχεία επικοινωνίας, υπάρχουν στο Διαδίκτυο, στη διεύθυνση: www.2helpU.com

Παρακαλούμε επισκεφθείτε την ιστοσελίδα μας www.blackanddecker.gr για να καταχωρήσετε το νέο σας προϊόν Black & Decker και για να ενημερώνεστε για τα νέα προϊόντα και τις ειδικές προσφορές. Περισσότερες πληροφορίες σχετικά με τη μάρκα Black & Decker και τη σειρά των προϊόντων μας θα βρείτε στη διεύθυνση www.blackanddecker.gr

België/Belgique	Black & Decker (Belgium) N.V. Nieuwlandlaan 7 I.Z. Aarschot B156 3200 Aarschot	Tel. Tel. Fax.	070 220065 070 220064 016 68 91 11
Danmark	Black & Decker Sluseholmen 2-4, 2450 København SV www.blackanddecker.dk	Tel. Fax.	70 20 15 10 70 22 49 10
Deutschland	Black & Decker GmbH Black & Decker Str. 40, D - 65510 Idstein	Tel. Fax.	06126/21 - 0 06126/21 29 80
Ελλάδα	Black & Decker (Ελλάς) Α.Ε. Στράβωνος 7 & Λεωφ. Βουλιαγμένης 159 166 74 Γλυφάδα - Αθήνα www.blackanddecker.eu	Τηλ. Φαξ	210 8981616 210 8983285
España	Black & Decker Ibérica, S.C.A. Parc de Negocis "Mas Blau" Edificio Muntadas, c/Bergadá, 1, Of. A6 08820 El Prat de Llobregat (Barcelona)	Tel. Fax.	934 797 400 934 797 419
France	Black & Decker (France) S.A.S. 5 allée des Hêtres B.P. 30084 69579 Limonest Cédex	Tel. Fax.	04 72 20 39 20 04 72 20 39 00
Helvetia	ROFO AG Gewerbezone Seeblick 3213 Kleinbösingen	Tel. Fax.	026-6749391 026-6749394
Italia	Black & Decker Italia SpA Viale Elvezia 2 20052 Monza (MI)	Tel. Fax. Numero verde	039-23871 039-2387592/2387594 800-213935
Nederland	Black & Decker Benelux Joulehof 12, 4622 RG Bergen op Zoom	Tel. Fax.	0164 - 283065 0164 - 283100
Norge	Black & Decker (Norge) A/S Postboks 4814, Nydalen, 0422 Oslo Internet: www.blackanddecker.no	Tif. Fax.	22 90 99 00 22 90 99 01
Österreich	Black & Decker Vertriebsges.m.b.H Oberlaaerstraße 248, A-1230 Wien	Tel. Fax.	01 66116-0 01 66116-14
Portugal	Black & Decker Rua Egas Moniz 173 S. João do Estoril 2766-651 Estoril	Tel. Fax.	214667500 214667580
Suomi	Black & Decker Oy Keilasatama 3, 02150 Espoo	Puh. Faksi	010 400 430 (09) 2510 7100
	Black & Decker Oy Kägelhamnen 3, 02150 Esbo	Tel. Fax.	010 400 430 (09) 2510 7100
Sverige	Black & Decker AB Box 94, 431 22 Mölndal	Tel. Fax.	031-68 60 60 031-68 60 80
Türkiye	KALE Hırdavat ve Makina A.Ş. Defterdar Mah. Savaklar Cad. No:15 Edirnekapı / Eyüp / İstanbul 34050	Tel. Fax.	0212 533 52 55 0212 533 10 05
United Kingdom	Black & Decker 210 Bath Road Slough, Berkshire SL1 3YD	Tel. Fax. Helpline	01753 511234 01753 551155 01753 574277
Middle East & Africa	Black & Decker (Overseas) A.G. PB 5420, Dubai, United Arab Emirates	Tel. Fax.	+971 4 2826464 +971 4 2826466