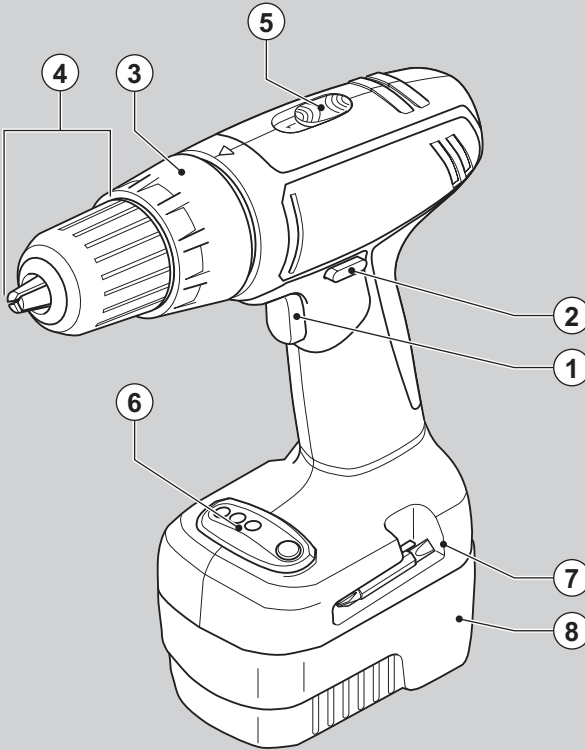
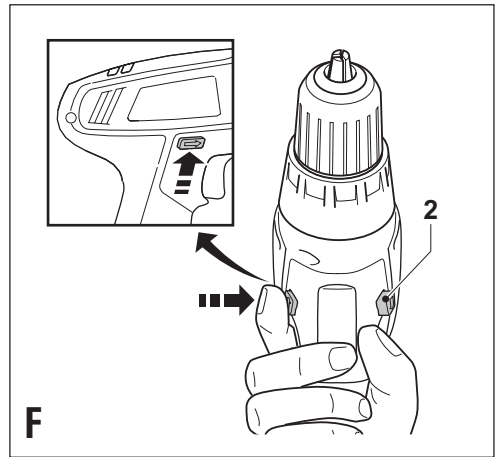
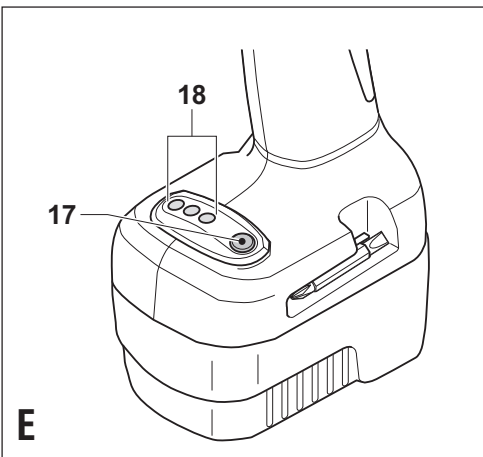
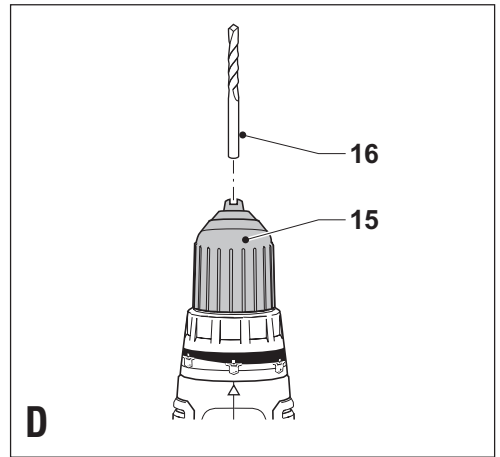
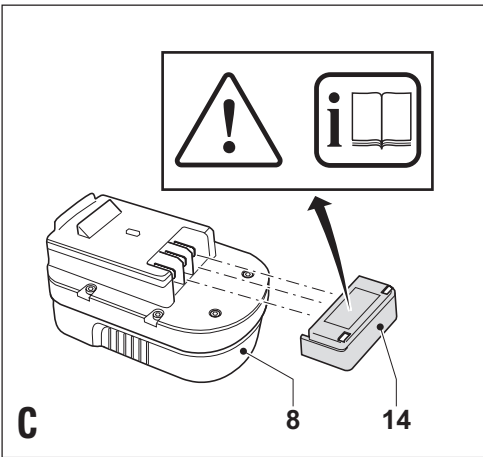
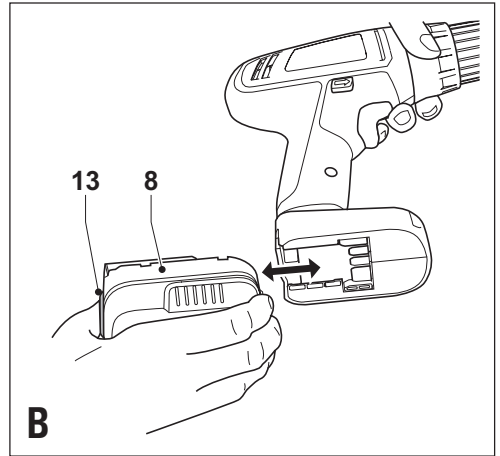
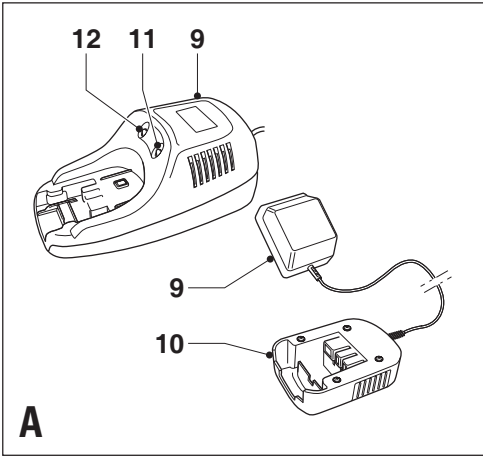


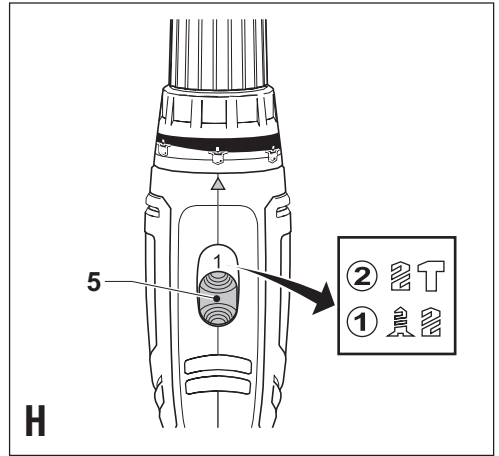
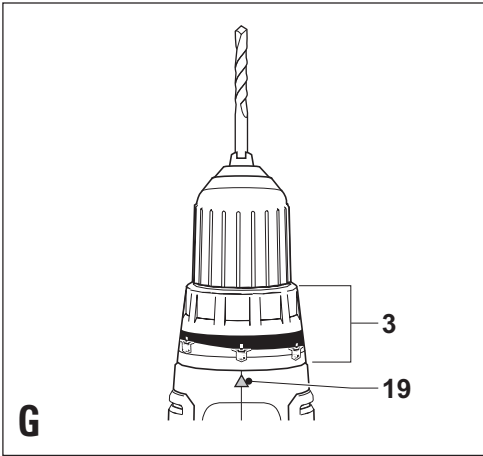


BLACK & DECKER®



English	4
Deutsch	9
Français	15
Italiano	21
Nederlands	27
Español	33
Português	39
Svenska	45
Norsk	50
Dansk	56
Suomi	62
Ελληνικά	00





Intended use

Your Black & Decker drill/screwdriver CP12K/CP14K has been designed for screwdriving applications and for drilling in wood, metal and plastics.

Your Black & Decker drill/screwdriver CP122K/CP142K has been designed for screwdriving applications and for drilling in wood, metal, plastics and soft masonry.

This tool is intended for consumer use only.

General safety rules

Warning! Read all instructions. Failure to follow all instructions listed below may result in electric shock, fire and/or serious injury. The term "power tool" in all of the warnings listed below refers to your mains operated (corded) power tool or battery operated (cordless) power tool.

SAVE THESE INSTRUCTIONS.

1. Work area

- a. **Keep work area clean and well lit.** Cluttered and dark areas invite accidents.
- b. **Do not operate power tools in explosive atmospheres, such as in the presence of flammable liquids, gases or dust.** Power tools create sparks which may ignite the dust or fumes.
- c. **Keep children and bystanders away while operating a power tool.** Distractions can cause you to lose control.

2. Electrical safety

- a. **Power tool plugs must match the outlet. Never modify the plug in any way. Do not use any adapter plugs with earthed (grounded) power tools.** Unmodified plugs and matching outlets will reduce risk of electric shock.
- b. **Avoid body contact with earthed or grounded surfaces such as pipes, radiators, ranges and refrigerators.** There is an increased risk of electric shock if your body is earthed or grounded.
- c. **Do not expose power tools to rain or wet conditions.** Water entering a power tool will increase the risk of electric shock.
- d. **Do not abuse the cord. Never use the cord for carrying, pulling or unplugging the power tool. Keep cord away from heat, oil, sharp edges or moving parts.** Damaged or entangled cords increase the risk of electric shock.
- e. **When operating a power tool outdoors, use an extension cord suitable for outdoor use.** Use of a cord suitable for outdoor use reduces the risk of electric shock.

3. Personal safety

- a. **Stay alert, watch what you are doing and use common sense when operating a power tool. Do not use a power tool while you are tired or under the influence of drugs, alcohol or medication.** A moment of inattention while operating power tools may result in serious personal injury.
- b. **Use safety equipment. Always wear eye protection.** Safety equipment such as dust mask, non-skid safety shoes, hard hat, or hearing protection used for appropriate conditions will reduce personal injuries.
- c. **Avoid accidental starting. Ensure the switch is in the off position before plugging in.** Carrying power tools with your finger on the switch or plugging in power tools that have the switch on invites accidents.
- d. **Remove any adjusting key or wrench before turning the power tool on.** A wrench or a key left attached to a rotating part of the power tool may result in personal injury.
- e. **Do not overreach. Keep proper footing and balance at all times.** This enables better control of the power tool in unexpected situations.
- f. **Dress properly. Do not wear loose clothing or jewellery. Keep your hair, clothing and gloves away from moving parts.** Loose clothes, jewellery or long hair can be caught in moving parts.
- g. **If devices are provided for the connection of dust extraction and collection facilities, ensure these are connected and properly used.** Use of these devices can reduce dust related hazards.

4. Power tool use and care

- a. **Do not force the power tool. Use the correct power tool for your application.** The correct power tool will do the job better and safer at the rate for which it was designed.
- b. **Do not use the power tool if the switch does not turn it on and off.** Any power tool that cannot be controlled with the switch is dangerous and must be repaired.
- c. **Disconnect the plug from the power source before making any adjustments, changing accessories, or storing power tools.** Such preventive safety measures reduce the risk of starting the power tool accidentally.
- d. **Store idle power tools out of the reach of children and do not allow persons unfamiliar with the power tool or these instructions to operate the power tool.** Power tools are dangerous in the hands of untrained users.
- e. **Maintain power tools. Check for misalignment or binding of moving parts, breakage of parts and any other condition that may affect the power tools operation. If damaged, have the power tool repaired before use.** Many accidents are caused by poorly maintained power tools.

- f. **Keep cutting tools sharp and clean.** Properly maintained cutting tools with sharp cutting edges are less likely to bind and are easier to control.
- g. **Use the power tool, accessories and tool bits etc., in accordance with these instructions and in the manner intended for the particular type of power tool, taking into account the working conditions and the work to be performed.** Use of the power tool for operations different from those intended could result in a hazardous situation.
- 5. Battery tool use and care**
- a. **Ensure the switch is in the off position before inserting battery pack.** Inserting the battery pack into power tools that have the switch on invites accidents.
- b. **Recharge only with the charger specified by the manufacturer.** A charger that is suitable for one type of battery pack may create a risk of fire when used with another battery pack.
- c. **Use power tools only with specifically designated battery packs.** Use of any other battery packs may create a risk of injury and fire.
- d. **When battery pack is not in use, keep it away from other metal objects like paper clips, coins, keys, nails, screws, or other small metal objects that can make a connection from one terminal to another.** Shorting the battery terminals together may cause burns or a fire.
- e. **Under abusive conditions, liquid may be ejected from the battery; avoid contact. If contact accidentally occurs, flush with water. If liquid contacts eyes, additionally seek medical help.** Liquid ejected from the battery may cause irritation or burns.

6. Service

- a. **Have your power tool serviced by a qualified repair person using only identical replacement parts.** This will ensure that the safety of the power tool is maintained.

Additional safety instructions for batteries and chargers

Batteries

- ◆ Never attempt to open for any reason.
- ◆ Do not expose the battery to water.
- ◆ Do not store in locations where the temperature may exceed 40 °C.
- ◆ Charge only at ambient temperatures between 4 °C and 40 °C.
- ◆ Charge only using the charger provided with the tool.
- ◆ When disposing of batteries, follow the instructions given in the section "Protecting the environment".

- ◆ Under extreme conditions, battery leakage may occur. When you notice liquid on the battery, proceed as follows:
 - Carefully wipe the liquid off using a cloth.
 - Avoid skin contact.
 - In case of skin or eye contact, follow the instructions below.
- ◆ **Warning!** The battery fluid, a 25-30% solution of potassium hydroxide, can be harmful. In case of skin contact, immediately rinse with water. Neutralise with a mild acid such as lemon juice or vinegar. In case of eye contact, rinse abundantly with clean water for at least 10 minutes. Consult a physician.
- ◆ Do not incinerate the battery.
- ◆ Do not attempt to charge damaged batteries.

Chargers

- ◆ Use your Black & Decker charger only to charge the battery in the tool with which it was supplied. Other batteries could burst, causing personal injury and damage.
- ◆ Never attempt to charge non-rechargeable batteries.
- ◆ Have defective cords replaced immediately.
- ◆ Do not expose the charger to water.
- ◆ Do not open the charger.
- ◆ Do not probe the charger.



The charger is intended for indoor use only.

Electrical safety



Your charger is double insulated; therefore no earth wire is required. Always check that the mains voltage corresponds to the voltage on the rating plate. Never attempt to replace the charger unit with a regular mains plug.

Features

This tool includes some or all of the following features.

1. Variable speed switch
2. Forward/reverse slider
3. Mode selector / torque adjustment collar
4. Chuck
5. Two-gear selector (CP122K/CP142K)
6. Battery charge indicator
7. Bit holder
8. Battery

Fig. A

9. Charger
10. Charger receptacle
11. Charging indicator
12. End of charge indicator

Assembly

Warning! Before assembly, remove the battery from the tool.

Fitting and removing the battery (fig. B & C)

- ◆ To fit the battery (8), line it up with the receptacle on the tool. Slide the battery into the receptacle and push until the battery snaps into place.
- ◆ To remove the battery, push the release button (13) while at the same time pulling the battery out of the receptacle.

Fitting the battery cap (fig. C)

Warning! Fit the cap (14) to the battery (8) for transportation and storage.

Fitting and removing a drill bit or screwdriver bit (fig. D)

This tool is fitted with a keyless chuck to allow for an easy exchange of bits.

- ◆ Lock the tool by setting the forward/reverse slider (2) to the centre position.
- ◆ Open the chuck by turning the sleeve (15) with one hand while holding the tool with the other.
- ◆ Insert the bit shaft (16) into the chuck.
- ◆ Firmly tighten the chuck by turning sleeve (15) with one hand while holding the tool with the other.

This tool is supplied with a double-ended screwdriver bit in the bit holder (7).

- ◆ To remove the screwdriver bit from the bit holder, lift the bit from the recess.
- ◆ To store the screwdriver bit, firmly push it into the holder.

Use

Warning! Let the tool work at its own pace. Do not overload.

Warning! Before drilling into walls, floors or ceilings, check for the location of wiring and pipes.

Charging the battery (fig. A)

The battery needs to be charged before first use and whenever it fails to produce sufficient power on jobs that were easily done before. When charging the battery for the first time, or after prolonged storage, it will only accept an 80% charge. After several charge and discharge cycles, the battery will attain full capacity. The battery may become warm while charging; this is normal and does not indicate a problem.

Warning! Do not charge the battery at ambient temperatures below 4 °C or above 40 °C. Recommended charging temperature: approx. 24 °C.

Using the 3 hr charger

- ◆ To charge the battery (8), remove it from the tool and slide the charger receptacle (10) onto the battery.

- ◆ Plug in the charger (9).

The battery will become warm while charging. After approx. 3 hours of charging, the battery will be sufficiently charged for use in regular applications. After approx. 6 hours of charging, the battery will be fully charged.

- ◆ Remove the charger receptacle from the battery.

Using the 1hr charger

- ◆ To charge the battery (8), remove it from the tool and insert it into the charger (9). The battery will only fit into the charger in one way. Do not force. Be sure that the battery is fully seated in the charger.

- ◆ Plug in the charger.
- ◆ Check if the red charging indicator (11) lights up. If the green end of charge indicator (12) lights up now instead, the battery is too hot and cannot be charged. If this happens, remove the battery from the charger, let the battery cool down for approx. 1 hour and re-insert it.

After approx. 1 hour of charging, the red charging indicator (11) will stop lighting and the green end of charge indicator (12) will light up. The battery is now fully charged.

- ◆ Remove the battery from the charger.

Checking the battery condition (fig. E)

This tool is fitted with a battery charge indicator, which allows you to check the condition of the battery.

- ◆ Press and hold down the button (17).
- ◆ Check to see how many of the lights (18) are on:

	Battery charge
1 light	low
2 lights	medium
3 lights	high


Selecting the direction of rotation (fig. F)

For drilling and for tightening screws, use forward (clockwise) rotation. For loosening screws or removing a jammed drill bit, use reverse (counterclockwise) rotation.


- ◆ To select forward rotation, push the forward/reverse slider (2) to the left.
- ◆ To select reverse rotation, push the forward/reverse slider to the right.
- ◆ To lock the tool, set the forward/reverse slider into the centre position.

Selecting the operating mode or torque (fig. G)

This tool is fitted with a collar to select the operating mode and to set the torque for tightening screws. Large screws and hard workpiece materials require a higher torque setting than small screws and soft workpiece materials. The collar has a wide range of settings to suit your application.

- ◆ For drilling in wood, metal and plastics, set the collar (3) to the drilling position by aligning the symbol  with the marking (19).
- ◆ For screwdriving, set the collar to the desired setting. If you do not yet know the appropriate setting, proceed as follows:
 - ◆ Set the collar (3) to the lowest torque setting.
 - ◆ Tighten the first screw.
 - ◆ If the clutch ratchets before the desired result is achieved, increase the collar setting and continue tightening the screw. Repeat until you reach the correct setting. Use this setting for the remaining screws.

CP122K/CP142K - Drilling in masonry (fig. G & H)

- ◆ For drilling in masonry, set the collar (3) to the hammer drilling position by aligning the symbol  with the marking (19).
- ◆ Slide the two-gear selector (5) towards the front of the tool (2nd gear).

CP122K/CP142K - Two-gear selector (fig. H)

- ◆ For drilling in steel and for screwdriving applications, slide the two-gear selector (5) towards the rear of the tool (1st gear).
- ◆ For drilling in materials other than steel, slide the two-gear selector (5) towards the front of the tool (2nd gear).

Drilling/screwdriving

- ◆ Select forward or reverse rotation using the forward/reverse slider (2).
- ◆ To switch the tool on, press the switch (1). The tool speed depends on how far you press the switch.
- ◆ To switch the tool off, release the switch.

Hints for optimum use

Drilling

- ◆ Always apply a light pressure in a straight line with the drill bit.
- ◆ Just before the drill tip breaks through the other side of the workpiece, decrease pressure on the tool.
- ◆ Use a block of wood to back up workpieces that may splinter.
- ◆ Use spade bits when drilling large diameter holes in wood.
- ◆ Use HSS drill bits when drilling in metal.
- ◆ Use masonry bits when drilling in soft masonry.
- ◆ Use a lubricant when drilling metals other than cast iron and brass.
- ◆ Make an indentation using a centre punch at the centre of the hole to be drilled in order to improve accuracy.

Screwdriving

- ◆ Always use the correct type and size of screwdriver bit.
- ◆ If screws are difficult to tighten, try applying a small amount of washing liquid or soap as a lubricant.
- ◆ Always hold the tool and screwdriver bit in a straight line with the screw.

Maintenance

Your Black & Decker tool has been designed to operate over a long period of time with a minimum of maintenance.

Continuous satisfactory operation depends upon proper tool care and regular cleaning.

Your charger does not require any maintenance apart from regular cleaning.

Warning! Before performing any maintenance on the tool, remove the battery from the tool. Unplug the charger before cleaning it.

- ◆ Regularly clean the ventilation slots in your tool and charger using a soft brush or dry cloth.
- ◆ Regularly clean the motor housing using a damp cloth. Do not use any abrasive or solvent-based cleaner.
- ◆ Regularly open the chuck and tap it to remove any dust from the interior.

Protecting the environment



Separate collection. This product must not be disposed of with normal household waste.

Should you find one day that your Black & Decker product needs replacement, or if it is of no further use to you, do not dispose of it with household waste. Make this product available for separate collection.



Separate collection of used products and packaging allows materials to be recycled and used again. Re-use of recycled materials helps prevent environmental pollution and reduces the demand for raw materials.

Local regulations may provide for separate collection of electrical products from the household, at municipal waste sites or by the retailer when you purchase a new product.

Black & Decker provides a facility for the collection and recycling of Black & Decker products once they have reached the end of their working life. To take advantage of this service please return your product to any authorised repair agent who will collect them on our behalf.

Technical data

		CP12	CP122	CP14	CP142
Voltage	V _{DC}	12	12	14.4	14.4
No-load speed	min ⁻¹	0-700	0-400/0-1300	0-750	0-400/0-1300
Max. torque	Nm	16	20	17	21
Chuck capacity	mm	10	10	10	10
Max. drilling capacity in steel/wood/masonry	mm	10	10	10	10
Battery cat. no.		A12	A12	A14	A14
Capacity	Ah	1.5	1.5	1.5	1.5
Weight	kg	1.7	1.8	1.7	1.8

You can check the location of your nearest authorised repair agent by contacting your local Black & Decker office at the address indicated in this manual. Alternatively, a list of authorised Black & Decker repair agents and full details of our after-sales service and contacts are available on the Internet at: **www.2helpU.com**

Batteries



Black & Decker batteries can be recharged many times. At the end of their useful life, discard batteries with due care for our environment:

- ◆ Run the battery down completely, then remove it from the tool.
- ◆ NiCd and NiMH batteries are recyclable. Take them to any authorised repair agent or a local recycling station.

Charger		3 hr	1 hr
Input voltage	V _{AC}	230	230
Approx. charging time	h	3	1

EC declaration of conformity

CP12/CP122/CP14/CP142

Black & Decker declares that these products conform to:
EN 50260, EN 55014, EN 60335, EN 61000

L_{PA} (sound pressure) 68 dB(A), L_{WA} (acoustic power) 79 dB(A),
hand/arm weighted vibration < 2,5 m/s²

K_{PA} (sound pressure uncertainty) 3 dB(A),

K_{WA} (acoustic power uncertainty) 3 dB(A)

Kevin Hewitt
Director of Consumer Engineering
Spennymoor, County Durham DL16 6JG,
United Kingdom
1-5-2005

Guarantee

Black & Decker is confident of the quality of its products and offers an outstanding guarantee. This guarantee statement is in addition to and in no way prejudices your statutory rights. The guarantee is valid within the territories of the Member States of the European Union and the European Free Trade Area.

If a Black & Decker product becomes defective due to faulty materials, workmanship or lack of conformity, within 24 months from the date of purchase, Black & Decker guarantees to replace defective parts, repair products subjected to fair wear and tear or replace such products to ensure minimum inconvenience to the customer unless:

- ◆ The product has been used for trade, professional or hire purposes;
- ◆ The product has been subjected to misuse or neglect;
- ◆ The product has sustained damage through foreign objects, substances or accidents;
- ◆ Repairs have been attempted by persons other than authorised repair agents or Black & Decker service staff.

To claim on the guarantee, you will need to submit proof of purchase to the seller or an authorised repair agent. You can check the location of your nearest authorised repair agent by contacting your local Black & Decker office at the address indicated in this manual. Alternatively, a list of authorised Black & Decker repair agents and full details of our after-sales service and contacts are available on the Internet at:

www.2helpU.com

Please visit our website **www.blackanddecker.co.uk** to register your new Black & Decker product and to be kept up to date on new products and special offers. Further information on the Black & Decker brand and our range of products is available at **www.blackanddecker.co.uk**

Bestimmungsgemäße Verwendung

Ihr Black & Decker Bohrschrauber CP12K/CP14K wurde für Schraubaufgaben sowie für das Bohren in Holz, Metall und Kunststoff konstruiert.

Ihr Black & Decker Bohrschrauber CP122K/CP142K wurde für Schraubaufgaben sowie für das Bohren in Holz, Metall, Kunststoff und weiches Mauerwerk konstruiert.

Dieses Gerät ist nicht für den gewerblichen Einsatz vorgesehen.

Allgemeine Sicherheitsregeln

Achtung! Sämtliche Anweisungen sind zu lesen. Die Nichteinhaltung der nachstehend aufgeführten Anweisungen kann elektrischen Schlag, Brand und/oder schwere Verletzungen verursachen. Der nachfolgend verwendete Begriff "Gerät" bezieht sich auf netzbetriebene Geräte (mit Netzkabel) und auf akkubetriebene Geräte (ohne Netzkabel).

BEWAHREN SIE DIESE ANWEISUNGEN AUF.

1. Arbeitsbereich

- a. **Halten Sie Ihren Arbeitsbereich sauber und gut ausgeleuchtet.** Unordnung und dunkle Arbeitsbereiche können zu Unfällen führen.
- b. **Arbeiten Sie mit Geräten nicht in explosionsgefährdeter Umgebung, in der sich brennbare Flüssigkeiten, Gase oder Stäube befinden.** Geräte erzeugen Funken, die den Staub oder die Dämpfe entzünden können.
- c. **Halten Sie Kinder und andere Personen während der Benutzung des Gerätes fern.** Bei Ablenkung können Sie die Kontrolle verlieren.

2. Elektrische Sicherheit

- a. **Der Anschlussstecker des Gerätes muß in die Steckdose passen. Der Stecker darf in keiner Weise verändert werden. Verwenden Sie keine Adapterstecker gemeinsam mit geschützten Geräten.** Unveränderte Stecker und passende Steckdosen verringern das Risiko eines elektrischen Schlages.
- b. **Vermeiden Sie Körperkontakt mit geerdeten Oberflächen von Rohren, Heizungen, Herden und Kühlschränken.** Es besteht ein erhöhtes Risiko eines elektrischen Schlags, wenn Ihr Körper geerdet ist.
- c. **Halten Sie Geräte von Regen und Nässe fern.** Das Eindringen von Wasser in ein Gerät erhöht das Risiko eines elektrischen Schlages.
- d. **Missbrauchen Sie nicht das Kabel. Verwenden Sie das Kabel niemals zum Tragen, Ziehen oder Trennen des Gerätes vom Netz. Halten Sie das Kabel fern von Hitze, Öl, scharfen Kanten oder sich bewegenden Teilen.** Beschädigte oder verwickelte Kabel erhöhen das Risiko eines elektrischen Schlages.

- e. **Wenn Sie mit einem Gerät im Freien arbeiten, verwenden Sie nur Verlängerungskabel, die auch für den Außenbereich zugelassen sind.** Die Verwendung eines für den Außenbereich geeigneten Verlängerungskabels verringert das Risiko eines elektrischen Schlages.

3. Sicherheit von Personen

- a. **Seien Sie aufmerksam, achten Sie darauf, was Sie tun, und gehen Sie vernünftig mit einem Gerät um. Benutzen Sie das Gerät nicht, wenn Sie müde sind oder unter dem Einfluss von Drogen, Alkohol oder Medikamenten stehen.** Ein Moment der Unachtsamkeit beim Gebrauch von Geräten kann zu ernsthaften Verletzungen führen.
- b. **Verwenden Sie Schutzausrüstung. Tragen Sie stets einen Augenschutz.** Schutzausrüstung wie Staubmaske, rutschfeste Sicherheitsschuhe, Schutzhelm oder Gehörschutz, je nach Art und Einsatz des Gerätes, verringert das Risiko von Verletzungen.
- c. **Vermeiden Sie eine unbeabsichtigte Inbetriebnahme. Stellen Sie sicher, daß sich der Schalter in der Aus-Stellung befindet, bevor das Gerät mit dem Netz verbunden wird.** Durch das Tragen des Gerätes mit dem Finger am Schalter oder durch das Verbinden eingeschalteter Geräte werden Unfälle provoziert.
- d. **Entfernen Sie EinstellGeräte oder Schraubenschlüssel, bevor Sie das Gerät einschalten.** Ein Gerät oder Schlüssel, der sich in einem drehenden Teil befindet, kann zu Verletzungen führen.
- e. **Nicht zu weit nach vorne strecken! Achten Sie auf einen sicheren Stand, um in jeder Arbeitsposition das Gleichgewicht zu halten.** Dadurch können Sie das Gerät in unerwarteten Situationen besser unter Kontrolle halten.
- f. **Tragen Sie geeignete Kleidung. Tragen Sie keine weite Kleidung oder Schmuck. Halten Sie Haare, Kleidung und Handschuhe fern von sich bewegenden Teilen.** Lockere Kleidung, Schmuck oder lange Haare können von sich bewegenden Teilen erfaßt werden.
- g. **Falls Staubabsaug- und -fangvorrichtungen vorhanden sind, vergewissern Sie sich, daß diese angeschlossen sind und richtig verwendet werden.** Das Verwenden dieser Einrichtungen verringert Gefährdungen durch Staub.

4. Gebrauch und Pflege von Geräten

- a. **Überlasten Sie das Gerät nicht. Verwenden Sie für Ihre Arbeit das dafür bestimmte Gerät.** Mit dem passenden Gerät arbeiten Sie besser und sicherer im angegebenen Leistungsbereich.

- b. Benutzen Sie kein Gerät, dessen Schalter defekt ist.** Ein Gerät, das sich nicht mehr ein- oder ausschalten lässt, ist gefährlich und muß repariert werden.
- c. Ziehen Sie den Stecker aus der Steckdose, bevor Sie Einstellungen vornehmen, Zubehörteile wechseln oder das Gerät weglegen.** Diese Vorsichtsmaßnahme verhindert den unbeabsichtigten Start des Gerätes.
- d. Bewahren Sie unbenutzte Geräte außerhalb der Reichweite von Kindern auf. Lassen Sie Geräte nicht von Personen benutzen, die damit nicht vertraut sind oder diese Anweisungen nicht gelesen haben.** Geräte sind gefährlich, wenn Sie von unerfahrenen Personen benutzt werden.
- e. Halten Sie Geräte in einem einwandfreien Zustand. Kontrollieren Sie, ob bewegliche Teile falsch ausgerichtet sind oder klemmen und ob Teile gebrochen oder so beschädigt sind, daß die Funktion des Gerätes beeinträchtigt ist. Lassen Sie beschädigte Geräte vor dem Gebrauch reparieren.** Viele Unfälle haben ihre Ursache in schlecht gewarteten Geräten.
- f. Halten Sie Schneidgeräte scharf und sauber.** Sorgfältig gepflegte Schneidgeräte mit scharfen Schneidkanten verklemmen sich weniger und sind leichter zu führen.
- g. Verwenden Sie Gerät, Zubehör, Einsatz-Bits, usw. entsprechend diesen Anweisungen und so, wie es für diesen speziellen Gerättyp vorgeschrieben ist. Berücksichtigen Sie dabei die Arbeitsbedingungen und die auszuführende Arbeit.** Der Gebrauch von Geräten für andere als die vorgesehenen Anwendungen kann zu gefährlichen Situationen führen.
- 5. Gebrauch und Pflege von Akku-Geräten**
- a. Stellen Sie sicher, daß das Gerät ausgeschaltet ist, bevor Sie den Akku einsetzen.** Das Einsetzen eines Akkus in ein eingeschaltetes Gerät kann zu Unfällen führen.
- b. Laden Sie die Akkus nur in Ladegeräten auf, die vom Hersteller angegeben wurden.** Für ein Ladegerät, das nur für eine bestimmte Akkuart geeignet ist, besteht Brandgefahr, wenn es mit anderen Akkus verwendet wird.
- c. Verwenden Sie nur die für die Geräte vorgesehenen Akkus.** Der Gebrauch von anderen Akkus kann zu Verletzungen und Brandgefahr führen.
- d. Halten Sie den nicht benutzten Akku fern von Büroklammern, Münzen, Schlüsseln, Nägeln, Schrauben oder anderen kleinen Metallgegenständen, die eine Überbrückung der Kontakte verursachen könnten.** Ein Kurzschluss zwischen den Akkukontakten kann Verbrennungen oder Feuer zur Folge haben.

- e. Bei falscher Anwendung kann Flüssigkeit aus dem Akku austreten. Vermeiden Sie den Kontakt damit. Bei unbeabsichtigtem Kontakt mit Wasser abspülen. Gelange die Flüssigkeit in die Augen, ziehen Sie außerdem ärztliche Hilfe hinzu.** Austretende Akkufflüssigkeit kann zu Hautreizungen oder Verbrennungen führen.

6. Service

- a. Lassen Sie Ihr Gerät nur von qualifiziertem Fachpersonal und nur mit Original-Ersatzteilen reparieren.** Damit wird gewährleistet, daß die Sicherheit des Gerätes erhalten bleibt.

Zusätzliche Sicherheitshinweise für Akkus und Ladegeräte

Akkus

- ◆ Versuchen Sie auf keinen Fall, einen Akku zu öffnen.
- ◆ Setzen Sie den Akku keiner Nässe aus.
- ◆ Nicht an einem Ort aufbewahren, wo die Temperatur 40 °C überschreiten kann.
- ◆ Nur bei Umgebungstemperaturen zwischen 4 °C und 40 °C aufladen.
- ◆ Laden Sie den Akku nur mit dem im Lieferumfang enthaltenen Ladegerät.
- ◆ Befolgen Sie bei der Entsorgung von Akkus die Anweisungen im Abschnitt "Umweltschutz".
- ◆ Unter extremen Einsatzbedingungen kann Akkufflüssigkeit aus dem Akku austreten. Wenn sich Flüssigkeit auf dem Akku befindet, gehen Sie folgendermaßen vor:
 - Wischen Sie die Flüssigkeit mit Hilfe eines Tuches vorsichtig vom Akku. Vermeiden Sie eine Berührung mit der Haut.
 - Falls die Flüssigkeit dennoch mit der Haut oder den Augen in Berührung kommen sollte, befolgen Sie die folgenden Anweisungen.
- ◆ **Achtung!** Die Akkufflüssigkeit, eine 25 bis 30% starke Kaliumhydroxidlösung, kann schädlich sein. Falls die Lösung mit der Haut in Berührung kommt, spülen Sie sofort mit reichlich Wasser. Neutralisieren Sie die Lösung mit einer milden Säure wie Zitronensaft oder Essig. Falls die Lösung mit den Augen in Berührung kommt, spülen Sie mindestens 10 Minuten lang mit reichlich klarem Wasser. Wenden Sie sich an einen Arzt.
- ◆ Verbrennen Sie den Akku nicht!
- ◆ Versuchen Sie nie, einen beschädigten Akku zu laden!

Ladegeräte

- ◆ Verwenden Sie Ihr Black & Decker Ladegerät nur zum Laden von Akkus vom im Lieferumfang enthaltenen Typ.

Andere Akkus könnten platzen und Sach- und Personenschäden verursachen.

- ◆ Versuchen Sie nie, nicht aufladbare Batterien zu laden.
- ◆ Lassen Sie beschädigte Leitungen sofort austauschen.
- ◆ Setzen Sie das Ladegerät niemals Nässe aus.
- ◆ Öffnen Sie das Ladegerät nicht.
- ◆ Fassen Sie nicht mit den Fingern oder irgendwelchen Gegenständen in das Ladegerät.



Das Ladegerät ist ausschließlich für den Gebrauch in geschlossenen Räumen vorgesehen.

Elektrische Sicherheit



Ihr Ladegerät ist schutzisoliert, daher ist keine Erdleitung erforderlich. Überprüfen Sie immer, ob die Netzspannung mit der Spannung auf der Datenplakette übereinstimmt. Tauschen Sie das Ladegerät auf keinen Fall gegen einen Netzstecker aus.

Merkmale

Dieses Gerät weist einige oder alle der folgenden Merkmale auf.

1. Drehzahl-Regelschalter
2. Rechts-/Linkslaufschalter
3. Betriebsart-Wahlschalter/Drehmoment-Einstellring
4. Bohrfutter
5. Zweigang-Wahlschalter (CP122K/CP142K)
6. Batterieladeanzeige
7. Bit-Halter
8. Akku

Abb. A

9. Ladegerät
10. Ladegerätaufnahme
11. Ladeanzeige
12. Statusanzeige

Montage

Achtung! Nehmen Sie vor der Montage den Akku vom Gerät.

Einsetzen und Entfernen des Akkus (Abb. B & C)

- ◆ Um den Akku (8) anzubringen, richten Sie ihn mit der Aufnahme am Gerät aus. Schieben Sie den Akku in die Aufnahme und drücken Sie, bis er einrastet.
- ◆ Um den Akku zu entfernen, drücken Sie den Löseknopf (13) und ziehen Sie gleichzeitig den Akku aus der Aufnahme heraus.

Anbringen des Akkudeckels (Abb. C)

Achtung! Bringen Sie zum Transport und zur Aufbewahrung den Deckel (14) am Akku (8) an.

Anbringen und Entfernen eines Bohrers oder einer Schrauberklinge (Abb. D)

Dieses Werkzeug ist mit einem Schnellspannbohrfutter ausgestattet, das ein leichtes und schnelles Austauschen von Bohrern und Schrauberklingen ermöglicht.

- ◆ Verriegeln Sie das Gerät, indem Sie den Linkslauf-/Rechtslauf-Umschalter (2) in die mittlere Stellung schieben.
- ◆ Öffnen Sie das Spannfutter, indem Sie die Manschette (15) mit der einen Hand aufdrehen, während Sie das Werkzeug mit der anderen Hand festhalten.
- ◆ Stecken Sie den Werkzeugschaft (16) in das Bohrfutter.
- ◆ Ziehen Sie das Spannfutter fest an, indem Sie die Manschette (15) mit der einen Hand zudrehen, während Sie das Werkzeug mit der anderen Hand festhalten.

Dieses Werkzeug wird mit einer zweiseitigen Schrauberklinge in der Aufnahme (7) ausgeliefert.

- ◆ Um die Schrauberklinge aus der Aufnahme zu entfernen, ziehen Sie sie aus der Aussparung.
- ◆ Um die Schrauberklinge in der Aufnahme anzubringen, drücken Sie sie fest in die Aufnahme.

Gebrauch

Achtung! Beschleunigen Sie den Arbeitsvorgang nicht mit Gewalt. Vermeiden Sie eine Überlastung des Gerätes.

Achtung! Informieren Sie sich vor dem Bohren in Wände, Böden und Decken über den genauen Verlauf von Leitungen und Rohren.

Laden des Akkus (Abb. A)

Der Akku ist zu laden, bevor Sie das Akku-Gerät zum ersten Mal benutzen sowie wenn die Leistung des Akku-Geräts spürbar nachläßt. Wenn der Akku zum ersten Mal oder nach längerer Lagerung geladen wird, wird er nur 80% der Nennkapazität erreichen. Erst nach mehreren Lade- und Entladezyklen wird der Akku die volle Kapazität erreichen. Während des Ladens kann sich der Akku erwärmen. Dies deutet nicht auf irgendein Problem hin.

Achtung! Laden Sie den Akku nicht bei einer Umgebungstemperatur unter 4 °C oder über 40 °C. Empfohlene Ladetemperatur: zirka 24 °C.

Gebrauch des 3-Stunden-Ladegeräts

- ◆ Um den Akku (8) zu laden, entfernen Sie ihn vom Gerät, und schieben Sie die Ladegerätaufnahme (10) auf den Akku.
- ◆ Stecken Sie das Ladegerät (9) in die Steckdose.

Der Akku wird beim Aufladen warm. Nach ca. 3 Stunden Ladezeit ist der Akku für den normalen Gebrauch ausreichend aufgeladen. Nach ca. 6 Stunden Ladezeit ist der Akku vollständig aufgeladen.

- ◆ Entfernen Sie die Aufnahme des Ladegeräts vom Akku.

Verwendung des 1-Stunden-Ladegeräts

- ◆ Um den Akku (8) zu laden, entfernen Sie ihn vom Gerät und stecken ihn in das Ladegerät (9). Der Akku läßt sich nur in einer Stellung in das Ladegerät einführen. Wenden Sie keine Gewalt an. Vergewissern Sie sich, daß der Akku vollständig in das Ladegerät eingeführt ist.
- ◆ Stecken Sie den Netzstecker des Ladegerätes in die Steckdose.
- ◆ Überprüfen Sie, ob die rote Ladeanzeige (11) aufleuchtet. Falls stattdessen die grüne Anzeige für das Ende des Ladevorgangs (12) aufleuchtet, ist der Akku zu heiß zum Laden. Ist dies der Fall, so nehmen Sie den Akku aus dem Ladegerät, lassen ihn ca. eine Stunde lang abkühlen und setzen ihn dann wieder in das Ladegerät ein.

Nach dem zirka einstündigen Ladevorgang erlischt die rote Ladeanzeige (11) und die grüne Statusanzeige (12) leuchtet auf. Der Akku ist nun vollständig geladen.

- ◆ Entfernen Sie den Akku vom Ladegerät.

Überprüfung des Akku-Zustandes (Abb. E)

Dieses Werkzeug ist mit einer Batterieladeanzeige ausgestattet. Hiermit kann der Zustand des Akkus überprüft werden.

- ◆ Drücken und halten Sie den Knopf (17).
- ◆ Prüfen Sie, wieviel Lampen (18) aufleuchten:
Akku-Ladezustand

1 Lampe	niedrig
2 Lampen	mittel
3 Lampen	hoch


Wahl der Drehrichtung (Abb. F)

Zum Bohren sowie zum Eindrehen von Schrauben verwenden Sie den Rechtslauf (im Uhrzeigersinn). Zum Lösen von Schrauben sowie zum Lösen eines festsitzenden Bohrers verwenden Sie den Linkslauf (gegen den Uhrzeigersinn).

- ◆ Für Rechtslauf schieben Sie den Rechts-/Linkslaufschalter (2) nach links.
- ◆ Für Linkslauf schieben Sie den Rechts-/Linkslaufschalter nach rechts.
- ◆ Um das Gerät zu verriegeln, schieben Sie den Rechts-/Linkslaufschalter in die Mittelstellung.


Wahl der Betriebsart bzw. des Drehmoments (Abb. G)

Dieses Gerät ist mit einem Drehring zur Einstellung der Betriebsart und zur Einstellung des Drehmoments beim Eindrehen von Schrauben ausgestattet. Große Schrauben und harte Werkstücke erfordern eine höhere Einstellung des Drehmoments als kleine Schrauben und weiche Werkstücke. Der Ring hat einen großen Einstellbereich, um Ihrem Einsatz gerecht zu werden.

- ◆ Zum Bohren in Holz, Metall und Kunststoff drehen Sie den Ring (3) in die Bohrstellung, indem Sie das Symbol  mit der Markierung (19) ausrichten.

- ◆ Zum Schrauben drehen Sie den Ring in die gewünschte Stellung. Falls Sie die richtige Einstellung noch nicht kennen, gehen Sie folgendermaßen vor:
 - ◆ Stellen Sie den Ring (3) in die Stellung mit dem geringsten Drehmoment.
 - ◆ Ziehen Sie die erste Schraube fest.
 - ◆ Falls die Kupplung zu schnell auskuppelt, stellen Sie den Ring auf einen größeren Wert ein und setzen Sie den Schraubvorgang fort. Wiederholen Sie diese Methode, bis Sie den richtigen Wert gefunden haben. Verwenden Sie diesen Wert für die anderen Schrauben.

CP122K/CP142K – Bohren in Mauerwerk (Abb. G & H)

- ◆ Zum Bohren in Mauerwerk drehen Sie den Ring (3) in die Schlagbohrstellung, indem Sie das Symbol  mit der Markierung (19) ausrichten.
- ◆ Schieben Sie den Zweigang-Wahlschalter (5) zur Vorderseite des Werkzeugs (2. Gang).

CP122K/CP142K – Zweigang-Wahlschalter (Abb. H)

- ◆ Zum Bohren in Stahl und für Schraubeinsätze schieben Sie den Zweigang-Wahlschalter (5) zur Hinterseite des Werkzeugs (1. Gang).
- ◆ Zum Bohren in Gegenstände, die nicht aus Stahl bestehen, schieben Sie den Zweigang-Wahlschalter (5) zur Vorderseite des Werkzeugs (2. Gang).

Bohren/Schrauben (Abb. A)

- ◆ Wählen Sie mit Hilfe des Rechts-/Linkslaufschalters (2) Rechts- bzw. Linkslauf.
- ◆ Um das Gerät einzuschalten, drücken Sie den Schalter (1). Je tiefer Sie den Schalter drücken, umso höher ist die Drehzahl des Geräts.
- ◆ Um das Gerät auszuschalten, lassen Sie den Schalter los.

Hinweise für optimale Arbeitsergebnisse

Bohren

- ◆ Üben Sie immer einen leichten Druck in Richtung der Bohrerspitze aus.
- ◆ Sobald Sie spüren, daß das Werkstück fast durchbohrt ist, reduzieren Sie schrittweise den Druck auf die Bohrerspitze, bis der Bohrvorgang beendet ist.
- ◆ Beim Bohren in Werkstücke, die leicht splintern oder ausreißen, legen Sie einen Holzklötzchen hinter das Werkstück.
- ◆ Verwenden Sie zum Bohren größerer Löcher in Holz einen Flachbohrer.
- ◆ Verwenden Sie zum Bohren in Metall HSS-Bohrer.
- ◆ Verwenden Sie zum Bohren in weiches Mauerwerk Steinbohrer.
- ◆ Verwenden Sie beim Bohren in andere Metalle als Gußeisen und Messing ein Schmiermittel.

- ◆ Markieren Sie die Bohrstelle mit Hilfe eines Bohrkörners, um ein positionsgenaueres Bohren zu gewährleisten.

Sollte Ihr Black & Decker Produkt eines Tages erneuert werden müssen, oder falls Sie es nicht weiter verwenden wollen, so darf es nicht über den Hausmüll entsorgt werden. Stellen Sie dieses Produkt zur getrennten Entsorgung bereit.



Durch die getrennte Entsorgung gebrauchter Produkte und Verpackungen können die Materialien recycelt und wiederverwertet werden. Die Wiederverwertung recycelter Materialien schont die Umwelt und verringert die Nachfrage nach Rohstoffen.

Schrauben

- ◆ Verwenden Sie immer ein Schraubendreher-Bit des richtigen Typs und in der richtigen Größe.
- ◆ Falls sich Schrauben schwer eindrehen lassen, tragen Sie etwas Spülmittel oder Seife als Schmiermittel an der Schraube auf.
- ◆ Halten Sie das Gerät und das Schraubendreher-Bit immer in einer geraden Linie mit der Schraube.

Die regionalen Bestimmungen schreiben unter Umständen die getrennte Entsorgung elektrischer Produkte aus dem Haushalt an Sammelstellen oder seitens des Händlers vor, bei dem Sie das neue Produkt erworben haben.

Black & Decker nimmt Ihre ausgedienten Black & Decker Geräte gern zurück und sorgt für eine umweltfreundliche Entsorgung und Wiederverwertung. Um diesen Dienst zu nutzen, schicken Sie bitte Ihr Produkt zu einer Vertragswerkstatt. Hier wird es dann auf unsere Kosten gesammelt.

Die Adresse der zuständigen Black & Decker Vertretung steht in diesem Handbuch, darüber läßt sich die nächstgelegene Vertragswerkstatt ermitteln. Außerdem ist eine Liste der Vertragswerkstätten und aller Kundendienststellen von Black & Decker sowie der zuständigen Ansprechpartner im Internet zu finden unter: www.2helpU.com

Akkus



Black & Decker Akkus lassen sich viele Male wiederaufladen. Entsorgen Sie eine leere Batterie am Ende ihrer Lebensdauer auf umweltgerechte Weise:

- ◆ Entladen Sie die Batterie vollständig, und entfernen Sie sie anschließend aus dem Werkzeug.
- ◆ NiCd- und NiMH-Akkus sind wiederverwertbar. Bringen Sie sie zu einer Vertragswerkstatt oder einer Recycling-Station in Ihrer Nähe.

Wartung

Ihr Black & Decker Gerät wurde im Hinblick auf eine lange Lebensdauer und einen möglichst geringen Wartungsaufwand entwickelt. Ein dauerhafter, einwandfreier Betrieb setzt eine regelmäßige Reinigung voraus.

Ihr Ladegerät bedarf keinerlei Wartung außer einer regelmäßigen Reinigung.

Achtung! Bevor Sie irgendwelche Wartungsarbeiten vornehmen, entfernen Sie den Akku vom Akku-Gerät. Ziehen Sie den Netzstecker des Ladegerätes aus der Steckdose, bevor Sie es reinigen.

- ◆ Reinigen Sie regelmäßig die Lüftungsschlitze im Gerät und Ladegerät mit Hilfe einer weichen Bürste oder eines trockenen Tuches.
- ◆ Reinigen Sie regelmäßig das Motorgehäuse mit Hilfe eines feuchten Tuches. Verwenden Sie keine scheuernden Reinigungsmittel oder Reinigungsmittel auf Lösungsmittelbasis.
- ◆ Reinigen Sie regelmäßig das Bohrfutter, indem Sie es öffnen und durch leichtes Klopfen Staub aus dem Inneren des Bohrfutters entfernen.

Umweltschutz



Getrennte Entsorgung. Dieses Produkt darf nicht über den normalen Hausmüll entsorgt werden.

Technische Daten

		CP12	CP122	CP14	CP142
Spannung	V _{DC}	12	12	14,4	14,4
Leerlaufdrehzahl	min ⁻¹	0-700	0-400/0-1300	0-750	0-400/0-1300
Max. Drehmoment	Nm	16	20	17	21
Bohrfutterkapazität	mm	10	10	10	10
Max. Bohrkapazität in Stahl/Holz/Mauerwerk	mm	10	10	10	10
Bestellnummer Akku		A12	A12	A14	A14
Kapazität	Ah	1,5	1,5	1,5	1,5
Gewicht	kg	1,7	1,8	1,7	1,8

Ladegerät	3 Stunden	1 Stunden
Netzspannung	V _{AC} 230	230
Ladezeit (zirka)	Std. 3	1

EG-Konformitätserklärung

CP12/CP122/CP14/CP142

Black & Decker erklärt, daß diese Produkte folgende Konformität erfüllen:

EN 50260, EN 55014, EN 60335, EN 61000

L_{PA} (Schalldruck) 68 dB(A), L_{WA} (Schalleistung) 79 dB(A),
gewichtete Hand-/Arm-vibrationen < 2,5 m/s²

K_{PA} (Schalldruck-Unsicherheitsfaktor) 3 dB(A),

K_{WA} (Schalleistungs-Unsicherheitsfaktor) 3 dB(A)



Kevin Hewitt
Director of Consumer Engineering
Spennymoor, County Durham DL16 6JG,
Vereinigtes Königreich
1-5-2005

Zur Inanspruchnahme dieser Garantie ist dem Verkäufer bzw. der Vertragswerkstatt ein Kaufnachweis vorzulegen. Der Kaufnachweis muß Kaufdatum und Gerätetyp bescheinigen. Die Adresse des zuständigen Büros von Black & Decker steht in dieser Anleitung, darüber läßt sich die nächstgelegene Vertragswerkstatt ermitteln. Außerdem ist eine Liste der Vertragswerkstätten und aller Kundendienststellen von Black & Decker sowie der zuständigen Ansprechpartner im Internet zu finden unter: **www.2helpU.com**

Bitte besuchen Sie unsere Webseite **www.blackanddecker.de**, um Ihr neues Black & Decker Produkt zu registrieren und über neue Produkte und Sonderangebote aktuell informiert zu werden. Weitere Informationen über die Marke Black & Decker und unsere Produkte finden Sie unter **www.blackanddecker.de**

Garantie

Black & Decker vertraut auf die Qualität der eigenen Geräte und bietet dem Käufer eine außergewöhnliche Garantie. Diese Garantiezusage versteht sich unbeschadet der gesetzlichen Gewährleistungsansprüche und schränkt diese keinesfalls ein. Sie gilt in sämtlichen Mitgliedsstaaten der Europäischen Union und der Europäischen Freihandelszone EFTA.

Tritt innerhalb von 24 Monaten ab Kaufdatum an einem Gerät von Black & Decker ein auf Material- oder Verarbeitungsfehler zurückzuführender Mangel auf, garantiert Black & Decker den Austausch defekter Teile, die Reparatur von Geräten mit üblichem Verschleiß bzw. den Austausch eines mangelhaften Geräts, ohne den Kunden dabei mehr als unbedingt nötig in Anspruch zu nehmen, allerdings vorbehaltlich folgender Ausnahmen:

- ◆ wenn das Gerät gewerblich, beruflich oder im Verleihgeschäft benutzt wurde;
- ◆ wenn das Gerät mißbräuchlich verwendet oder mit mangelnder Sorgfalt behandelt wurde;
- ◆ wenn das Gerät durch irgendwelche Fremdeinwirkung beschädigt wurde;
- ◆ wenn ein unbefugter Reparaturversuch durch anderes Personal als das einer Vertragswerkstatt oder des Black & Decker-Kundendienstes unternommen wurde.

Utilisation prévue

Votre perceuse / tournevis Black & Decker CP12K/CP14K a été conçue pour les applications de vissage et pour le perçage du bois, du métal et des matières plastiques.

Votre perceuse / tournevis Black & Decker CP122K/CP142K a été conçue pour les applications de vissage et pour le perçage du bois, du métal, des matières plastiques et de la maçonnerie légère.

Cet outil a été conçu pour une utilisation exclusivement domestique.

Consignes générales de sécurité

Attention ! Lisez toutes les instructions. Le non-respect des instructions indiquées ci-dessous peut entraîner une électrocution, un incendie ou de graves blessures. La notion d'« outil électroportatif » mentionnée par la suite se rapporte à des outils électriques raccordés au secteur (avec câble de raccordement) ou fonctionnant sur batteries (sans fil).
GARDEZ PRÉCIEUSEMENT CES CONSIGNES DE SECURITE.

1. Zone de travail

- a. **Maintenez la zone de travail propre et bien éclairée.** Un lieu de travail en désordre ou mal éclairé augmente le risque d'accidents.
- b. **N'utilisez pas les outils électroportatifs dans un environnement présentant des risques d'explosion ni en présence de liquides, gaz ou poussières inflammables.** Les outils électroportatifs génèrent des étincelles risquant d'enflammer les poussières ou les vapeurs.
- c. **Tenez les enfants et autres personnes éloignés durant l'utilisation de l'outil électroportatif.** En cas d'inattention, vous risquez de perdre le contrôle sur l'outil.

2. Sécurité électrique

- a. **La fiche de secteur de l'outil électroportatif doit convenir à la prise de courant. Ne modifiez en aucun cas la fiche. N'utilisez pas de fiches d'adaptateur avec des outils ayant une prise de terre.** Les fiches non modifiées et les prises de courant appropriées réduisent le risque de choc électrique.
- b. **Évitez le contact physique avec des surfaces mises à la terre telles que tuyaux, radiateurs, fours et réfrigérateurs.** Il y a un risque élevé de choc électrique si votre corps est relié à la terre.
- c. **N'exposez pas l'outil électroportatif à la pluie ni à l'humidité.** La pénétration d'eau dans un outil électroportatif augmente le risque de choc électrique.
- d. **Préservez le câble d'alimentation. N'utilisez pas le câble à d'autres fins que celles prévues, notamment pour porter l'outil, l'accrocher voire le débrancher de la prise de courant.**

Maintenez le câble éloigné des sources de chaleur, des parties grasses, des bords tranchants ou des parties de l'outil en rotation. Un câble endommagé ou enchevêtré augmente le risque de choc électrique.

- e. **Si vous utilisez l'outil électroportatif à l'extérieur, utilisez une rallonge homologuée pour utilisation à l'air libre.** L'utilisation d'une rallonge électrique homologuée pour les applications extérieures réduit le risque de choc électrique.
- ### 3. Sécurité personnelle
- a. **Restez vigilant, surveillez ce que vous faites. Faites preuve de bon sens quand vous utilisez l'outil électroportatif. N'utilisez pas l'outil lorsque vous êtes fatigué ou après avoir consommé de l'alcool, des drogues ou avoir pris des médicaments.** Un moment d'inattention lors de l'utilisation de l'outil peut entraîner de graves blessures.
 - b. **Portez des équipements de protection. Portez toujours des lunettes de protection.** Le port d'équipements de protection personnelle tels que masque anti-poussières, chaussures de sécurité antidérapantes, casque ou protection auditive, selon le travail à effectuer, réduit le risque de blessures.
 - c. **Évitez une mise en route accidentelle. Avant de brancher l'outil, vérifiez que l'interrupteur est sur la position arrêt.** Le transport ou le branchement d'outils électroportatifs avec l'interrupteur en position marche est une invite à l'accident.
 - d. **Enlevez tout outil ou clé de réglage avant de mettre l'appareil en marche.** Une clé ou un outil se trouvant sur une partie en rotation peut causer des blessures.
 - e. **Ne surestimez pas vos capacités. Conservez en permanence votre équilibre et les deux pieds à terre.** Vous contrôlerez mieux l'outil dans des situations inattendues.
 - f. **Portez des vêtements appropriés. Ne portez pas de vêtements amples ni de bijoux. N'approchez pas les cheveux, vêtements ou gants des parties de l'appareil en rotation.** Les vêtements amples, les bijoux ou les cheveux longs peuvent être attrapés dans les pièces en mouvement.
 - g. **Si des dispositifs servant à aspirer ou à recueillir les poussières doivent être utilisés, vérifiez qu'ils sont correctement raccordés et utilisés.** L'utilisation de tels dispositifs réduit les dangers dus aux poussières.
- ### 4. Utilisation des outils électroportatifs et précautions
- a. **Ne surchargez pas l'appareil. Utilisez l'outil électroportatif approprié pour le travail à effectuer.** Avec l'outil électroportatif approprié, vous travaillerez mieux et avec plus de sécurité à la vitesse pour laquelle il a été conçu.

- b. N'utilisez pas un outil électroportatif dont l'interrupteur est défectueux.** Un outil électroportatif qui ne peut plus être mis en ou hors fonctionnement est dangereux et doit être réparé.
- c. Retirez la fiche de la prise de courant avant d'effectuer des réglages sur l'appareil, de changer les accessoires ou de ranger l'outil.** Cette mesure de précaution empêche une mise en marche par mégarde.
- d. Rangez les outils électroportatifs hors de portée des enfants. Ne laissez pas les personnes n'étant pas familiarisées avec l'outil ou n'ayant pas lu ces instructions l'utiliser.** Les outils électroportatifs sont dangereux lorsqu'ils sont utilisés par des personnes non initiées.
- e. Prenez soin des outils électroportatifs. Vérifiez que les parties en mouvement fonctionnent correctement et qu'elles ne sont pas coincées ; vérifiez qu'il n'y a pas de pièces cassées ou endommagées susceptibles de nuire au bon fonctionnement de l'outil. S'il est endommagé, faites réparer l'outil avant de l'utiliser.** De nombreux accidents sont dus à des outils électroportatifs mal entretenus.
- f. Maintenez les outils de coupe aiguisés et propres.** Des outils soigneusement entretenus avec des bords tranchants bien aiguisés se coincent moins souvent et peuvent être guidés plus facilement.
- g. Utilisez les outils électroportatifs, les accessoires, les outils à monter etc. conformément à ces instructions et aux prescriptions en vigueur pour ce type d'outils. Tenez compte également des conditions de travail et du travail à effectuer.** L'utilisation des outils électroportatifs à d'autres fins que celles prévues peut entraîner des situations dangereuses.
- 5. Utilisation des outils à batterie et précautions**
- a. Assurez-vous que l'interrupteur est effectivement en position d'arrêt avant d'insérer la batterie.** L'introduction de la batterie dans l'outil alors que son interrupteur est sur la position marche est susceptible de provoquer un accident.
- b. Ne rechargez la batterie qu'avec le chargeur spécifié par le fabricant.** Un chargeur prévu pour un type de batterie présente un risque d'incendie s'il est utilisé avec un autre type de batterie.
- c. N'utilisez les outils électroportatifs qu'avec les batteries spécifiquement conçues pour eux.** L'utilisation d'autres batteries peut comporter un risque de blessures ou d'incendie.
- d. Quand vous ne l'utilisez pas, rangez la batterie loin d'autres objets métalliques tels que trombones, pièces, clous, vis ou autres pouvant créer une connexion entre deux bornes.** Court-circuiter les bornes de la batterie peut provoquer des brûlures ou un incendie.
- e. Dans des conditions inappropriées, la batterie peut rejeter du liquide. Évitez le contact. Si un contact accidentel se produit, rincez à l'eau. Si le liquide touche les yeux, consultez un médecin.** Le liquide rejeté par la batterie peut causer une irritation cutanée ou des brûlures.
- 6. Réparations**
- a. Faites réparer votre outil électroportatif uniquement par du personnel qualifié et seulement avec des pièces de rechange d'origine.** Cela garantira le maintien de la sécurité de votre outil.
- Instructions de sécurité supplémentaires pour les batteries et chargeurs**
- Batteries**
- ◆ Ne tentez jamais de l'ouvrir pour quelque raison que ce soit.
 - ◆ Ne mettez pas la batterie en contact avec de l'eau.
 - ◆ Ne pas ranger dans des endroits où la température peut être supérieure à 40 °C.
 - ◆ Chargez uniquement à température ambiante, entre 4 °C et 40 °C.
 - ◆ Chargez uniquement en utilisant le chargeur fourni avec l'outil.
 - ◆ Lorsque vous jetez des batteries, suivez les instructions données à la section "Protection de l'environnement".
 - ◆ Dans des conditions extrêmes, la batterie peut fuir. Si vous remarquez que la batterie a coulé, procédez comme suit:
 - Nettoyez soigneusement le liquide à l'aide d'un chiffon. Évitez le contact avec la peau.
 - En cas de contact avec la peau ou les yeux, suivez les instructions ci-dessous.
 - ◆ **Attention !** Le liquide de la batterie, une solution d'hydroxyde de potassium à 25-30%, est toxique. En cas de contact avec la peau, rincer abondamment à l'eau. Neutraliser avec un acide doux tel que du citron ou du vinaigre. En cas de contact avec les yeux, rincer abondamment à l'eau au moins pendant 10 minutes. Consulter un médecin.
 - ◆ N'incinerez pas la batterie.
 - ◆ Ne pas charger une batterie endommagée.

Chargeurs

- ◆ Utilisez uniquement votre chargeur Black & Decker pour charger les batteries fournies avec votre outil ou de même type et modèle. D'autres batteries pourraient exploser et causer des dommages ou blessures.
- ◆ Ne tentez jamais de charger des batteries non-rechargeables.
- ◆ Remplacez immédiatement les fils électriques défectueux.
- ◆ Ne mettez pas le chargeur en contact avec de l'eau.
- ◆ N'ouvrez pas le chargeur.
- ◆ Ne testez pas le chargeur.



Le chargeur a été conçu pour être utilisé uniquement à l'intérieur.

Sécurité électrique



Votre chargeur est doublement isolé ; par conséquent, aucun câble de masse n'est nécessaire. Vérifiez toujours que la tension du secteur correspond à la tension indiquée sur la plaque d'identification. Ne tentez jamais de remplacer le chargeur par une prise au secteur normale.

Caractéristiques

Cet outil comprend toutes ou certaines des caractéristiques suivantes.

1. Interrupteur à variateur de vitesse
2. Sélecteur de rotation droite / gauche
3. Sélecteur de mode / bague de réglage du couple
4. Mandrin
5. Sélecteur à deux vitesses (CP122K/CP142K)
6. Voyant de charge de la batterie
7. Porte-embout
8. Batterie

Fig. A

9. Chargeur
10. Boîtier du chargeur
11. Voyant de charge
12. Voyant de fin de charge

Assemblage

Attention ! Avant l'assemblage, enlevez la batterie.

Installation et retrait de la batterie (fig. B & C)

- ◆ Pour mettre la batterie en place (8), alignez-la avec le boîtier sur l'outil. Faites glisser la batterie dans le boîtier et poussez jusqu'à ce qu'elle se mette en place avec un bruit sec.
- ◆ Pour retirer la batterie, appuyez sur le bouton de déverrouillage (13) tout en retirant la batterie du boîtier.

Montage du cache de batterie (fig. C)

Attention ! Installez le cache (14) sur la batterie (8) pour la transporter et la ranger.

Installation et retrait d'un foret de perçage ou de vissage (fig. D)

Cet outil est équipé d'un mandrin sans clef pour vous permettre de changer les accessoires plus rapidement.

- ◆ Verrouillez l'outil en réglant le sélecteur de rotation droite / gauche (2) sur la position centrale.
- ◆ Ouvrez le mandrin en faisant tourner le manchon (15) d'une main tout en tenant l'outil de l'autre main.
- ◆ Insérez la tige de l'accessoire (16) dans le mandrin.
- ◆ Serrez fermement le mandrin en faisant tourner le manchon (15) d'une main tout en tenant l'outil de l'autre main.

Cet outil est livré avec un double embout de vissage dans le support d'embout (7).

- ◆ Pour retirer le double embout de vissage du support d'embout, soulevez l'embout de sa cavité.
- ◆ Pour remettre l'embout en place, poussez-le fermement dans le support.

Utilisation

Attention ! Laissez l'outil fonctionner à sa propre vitesse. Ne le surchargez pas.

Attention ! Avant de percer les murs, les planchers ou les plafonds, vérifiez l'emplacement des fils électriques et des tuyaux.

Chargement de la batterie (fig. A)

La batterie a besoin d'être chargée avant la première utilisation et à chaque fois qu'elle ne produit pas une puissance suffisante pour des travaux facilement effectués auparavant. Lorsque vous chargez la batterie pour la première fois ou suite à une inutilisation prolongée, le chargement ne se fera qu'à 80%. Après plusieurs cycles de chargement et de déchargement, la batterie atteindra sa capacité totale. La batterie peut chauffer pendant le chargement ; cela est normal et n'indique pas de problème particulier.

Attention ! Ne chargez pas la batterie à une température ambiante inférieure à 4 °C ou supérieure à 40 °C. Température de chargement recommandée : environ 24 °C.

Utilisation du chargeur 3 h

- ◆ Pour charger la batterie (8), retirez-la de l'outil et glissez le réceptacle du chargeur (10) sur la batterie.
- ◆ Branchez le chargeur (9).

La batterie se réchauffe lors du chargement. La batterie sera suffisamment chargée après un délai d'environ 3 heures pour une utilisation normale.

La batterie est complètement chargée après un délai d'environ 6 heures.

- ◆ Dégagez la batterie du boîtier du chargeur.

Utilisation du chargeur 1h

- ◆ Pour charger la batterie (8), retirez-la de l'outil et insérez-la dans le chargeur (9). La batterie ne rentrera dans le chargeur que d'une seule façon. Ne forcez pas. Assurez-vous que la batterie est complètement enclenchée dans le chargeur.
- ◆ Branchez le chargeur.
- ◆ Vérifiez si le voyant rouge de charge (11) s'allume. Si au lieu du voyant rouge c'est le voyant vert indicateur de fin de charge (12) qui s'allume, la batterie est trop chaude et ne peut être chargée. Si cela se produit, enlevez la batterie du chargeur, laissez-la refroidir pendant 1 heure environ et réinsérez-la.

Après environ 1 heure de charge, le voyant rouge de charge (11) s'éteindra et le voyant vert indicateur de fin de charge (12) s'allumera. La batterie sera alors complètement chargée.

- ◆ Enlevez-la du chargeur.

Vérification du niveau de charge de la batterie (fig. E)

Cet outil est équipé d'un voyant de charge de batterie qui permet de vérifier le niveau de charge de la batterie.

- ◆ Appuyez sur le bouton et maintenez-le enfoncé (17).
- ◆ Vérifiez le nombre de points lumineux (18)

Charge de la batterie

1 point lumineux	basse
2 points lumineux	moyenne
3 points lumineux	haute

Sélection du sens de rotation (fig. F)


Pour le perçage et le serrage des vis, utilisez la rotation vers l'avant (dans le sens des aiguilles d'une montre).

Pour desserrer les vis ou enlever un foret de perçage coincé, utilisez la rotation vers l'arrière (dans le sens inverse des aiguilles d'une montre).


- ◆ Pour sélectionner la rotation vers l'avant, poussez le sélecteur de rotation droite / gauche (2) vers la gauche.
- ◆ Pour sélectionner la rotation vers l'arrière, poussez le sélecteur de rotation droite / gauche vers la droite.
- ◆ Pour verrouiller l'outil, réglez le sélecteur de rotation droite / gauche sur la position centrale.

Sélection du mode de fonctionnement ou serrage (fig.G)

Cet outil est muni d'une bague servant à régler le mode de fonctionnement et le couple de serrage des vis. Les grosses vis et les matières d'ivoire rigides nécessitent un couple de serrage plus grand que les petites vis et les matières d'ivoire peu rigides. La bague possède une large gamme de réglages de manière à pouvoir répondre à vos besoins.

- ◆ Pour le perçage du bois, du métal et du plastique, placez la bague (3) sur la position de perçage en alignant le symbole  avec la marque (19).
- ◆ Pour le vissage, réglez la bague à la position désirée. Si vous ne connaissez pas encore le bon réglage, procédez comme suit :
 - ◆ Placez la bague (3) au réglage de couple le plus bas.
 - ◆ Serrez la première vis.
 - ◆ Si l'embrayage fait "clic" avant d'avoir obtenu le résultat désiré, augmentez le réglage de la bague et continuez à serrer la vis. Répétez jusqu'à obtenir le bon réglage. Utilisez ce réglage pour les vis restantes.

CP122K/CP142K – Perçage de la maçonnerie (fig. G & H)

- ◆ Pour le perçage de la maçonnerie, réglez la bague (3) sur la position de perçage à percussion en alignant le symbole  avec la marque (19).
- ◆ Glissez le sélecteur à deux vitesses (5) vers l'avant de l'outil (deuxième vitesse).

CP122K/CP142K - Sélecteur à deux vitesses (fig. H)

- ◆ Pour le perçage de l'acier et la pose de vis, glissez le sélecteur à deux vitesses (5) vers l'arrière de l'outil (première vitesse).
- ◆ Pour le perçage de matières autres que l'acier, glissez le sélecteur à deux vitesses (5) vers l'avant de l'outil (deuxième vitesse).

Perçage / vissage (fig. A)

- ◆ Sélectionnez la rotation vers la droite ou la gauche à l'aide du sélecteur de rotation droite / gauche (2).
- ◆ Pour mettre l'outil en marche, appuyez sur l'interrupteur de vitesse variable (1). La vitesse de l'outil dépend de la force que vous exercez sur l'interrupteur.
- ◆ Relâchez l'interrupteur pour mettre l'outil hors fonction.

Conseils pour une utilisation optimale

Perçage

- ◆ Appliquez toujours une pression légère en ligne droite avec le foret de perçage.
- ◆ Juste avant que le foret de perçage ne passe de l'autre côté de la pièce, diminuez la pression sur l'outil.
- ◆ Utilisez un bloc de bois pour protéger les pièces pouvant se briser.
- ◆ Utilisez des mèches à bois lorsque vous percez des trous d'un large diamètre dans du bois.
- ◆ Utilisez des forets de perçage HSS lorsque vous percez du métal.
- ◆ Utilisez des forets de maçonnerie lorsque vous percez des pièces de maçonnerie légères.

- ◆ Utilisez un lubrifiant lorsque vous percez des métaux autres que de la fonte et du laiton.
- ◆ Faites une entaille à l'aide d'une contrepointe de centrage au centre du trou à percer afin d'améliorer la précision.

Vissage

- ◆ Utilisez toujours le bon type et la bonne taille d'embout de tournevis.
- ◆ Si les vis sont difficiles à serrer, essayez d'appliquer un petit peu de liquide vaisselle ou de savon en tant que lubrifiant.
- ◆ Tenez toujours l'outil et l'embout de tournevis en ligne droite par rapport à la vis.

Entretien

Votre outil Black & Decker a été conçu pour fonctionner pendant longtemps avec un minimum d'entretien. Un fonctionnement continu satisfaisant dépend d'un nettoyage régulier et d'un entretien approprié de l'outil.

Votre chargeur ne nécessite aucun entretien autre qu'un nettoyage régulier.

Attention ! Avant de procéder à tout entretien de l'outil, retirez la batterie. Débranchez le chargeur avant de le nettoyer.

- ◆ Nettoyez régulièrement les orifices de ventilation de votre outil et le chargeur à l'aide d'une brosse douce ou d'un chiffon sec.
- ◆ Nettoyez régulièrement le carter du moteur à l'aide d'un chiffon humide. N'utilisez pas de produit abrasif ou à base de solvant.
- ◆ Ouvrez régulièrement le mandrin et tapotez dessus pour retirer toute poussière à l'intérieur.

Protection de l'environnement



Collecte séparée. Ce produit ne doit pas être jeté avec les déchets domestiques normaux.

Si vous décidez de remplacer ce produit Black & Decker, ou si vous n'en avez plus l'utilité, ne le jetez pas avec vos déchets domestiques. Rendez-le disponible pour une collecte séparée.



La collecte séparée des produits et emballages usés permet le recyclage des articles afin de les utiliser à nouveau. Le fait d'utiliser à nouveau des produits recyclés permet d'éviter la pollution environnementale et de réduire la demande de matières premières.

Les réglementations locales peuvent permettre la collecte séparée des produits électriques du foyer, dans des déchetteries municipales ou auprès du revendeur vous ayant vendu votre nouveau produit.

Black & Decker fournit un dispositif permettant de collecter et de recycler les produits Black & Decker lorsqu'ils ont atteint la fin de leur cycle de vie. Pour pouvoir profiter de ce service, veuillez retourner votre produit à un réparateur agréé qui se chargera de le collecter pour nous.

Pour connaître l'adresse du réparateur agréé le plus proche de chez vous, contactez le bureau Black & Decker à l'adresse indiquée dans ce manuel. Vous pourrez aussi trouver une liste des réparateurs agréés de Black & Decker et de plus amples détails sur notre service après-vente sur le site Internet à l'adresse suivante : www.2helpU.com

Packs-batteries



Les batteries Black & Decker peuvent être rechargées de nombreuses fois. A la fin de leur durée de vie technique, jetez les batteries en respectant l'environnement :

- ◆ Videz complètement la batterie, puis retirez-la de l'outil.
- ◆ Les batteries NiCd et NiMH sont recyclables. Apportez-les à votre réparateur agréé ou à un centre de recyclage local.

Caractéristiques techniques

		CP12	CP122	CP14	CP142
Voltage	V _{DC}	12	12	14,4	14,4
Vitesse à vide	min ⁻¹	0-700	0-400/0-1300	0-750	0-400/0-1300
Couple max.	Nm	16	20	17	21
Capacité mandrin	mm	10	10	10	10
Capacité de perçage max. dans l'acier / le bois / la maçonnerie	mm	10	10	10	10
Cat. no. batterie		A12	A12	A14	A14
Ampérage	Ah	1,5	1,5	1,5	1,5
Poids	kg	1,7	1,8	1,7	1,8

Chargeur	3 h	1 h
Tension secteur	V _{AC} 230	230
Temps de chargement approx.	h 3	1

Déclaration de conformité CE

CP12/CP122/CP14/CP142

Black & Decker déclare que ces produits sont conformes à :
EN 50260, EN 55014, EN 60335, EN 61000

L_{PA} (pression sonore) 68 dB(A), L_{WA} (puissance acoustique)
79 dB(A), poids de la vibration sur la main/bras < 2,5 m/s²

K_{PA} (incertitude de la pression acoustique) 3 dB(A),

K_{WA} (incertitude de la puissance acoustique) 3 dB(A)



Kevin Hewitt
Directeur Ingénierie Client
Spennymoor, County Durham DL16 6JG,
Royaume Uni
1-5-2005

Garantie

Black & Decker est confiant dans la qualité de ses produits et vous offre une garantie très étendue. Ce certificat de garantie est un document supplémentaire et ne peut en aucun cas se substituer à vos droits légaux. La garantie est valable sur tout le territoire des Etats Membres de l'Union Européenne et de la Zone de Libre Echange Européenne.

Si un produit Black & Decker s'avère défectueux en raison de matériaux en mauvaises conditions, d'une erreur humaine, ou d'un manque de conformité dans les 24 mois suivant la date d'achat, Black & Decker garantit le remplacement des pièces défectueuses, la réparation des produits usés ou cassés ou remplace ces produits à la convenance du client, sauf dans les circonstances suivantes :

- ◆ Le produit a été utilisé dans un but commercial, professionnel, ou a été loué.
- ◆ Le produit a été mal utilisé ou avec négligence.
- ◆ Le produit a subi des dommages à cause d'objets étrangers, de substances ou à cause d'accidents.
- ◆ Des réparations ont été tentées par des techniciens ne faisant pas partie du service technique de Black & Decker.

Pour avoir recours à la garantie, il est nécessaire de fournir une preuve d'achat au vendeur ou à un réparateur agréé.

Pour connaître l'adresse du réparateur agréé le plus proche de chez vous, contactez le bureau Black & Decker à l'adresse indiquée dans ce manuel. Vous pourrez aussi trouver une liste des réparateurs agréés de Black & Decker et de plus amples détails sur notre service après-vente sur le site Internet à l'adresse suivante : **www.2helpU.com**

Visitez notre site Web **www.blackanddecker.fr** pour enregistrer votre nouveau produit Black & Decker et être informé des nouveaux produits et des offres spéciales. Pour plus d'informations concernant la marque Black & Decker et notre gamme de produits, consultez notre site **www.blackanddecker.fr**

Uso previsto

Il trapano/avvitatore Black & Decker CP12K/CP14K è stato progettato per inserire ed estrarre viti e per forare legno, metalli e plastica.

Il trapano/avvitatore Black & Decker CP122K/CP142K è stato progettato per inserire ed estrarre viti e per forare legno, metalli, plastica e muratura.

L'utensile è stato progettato per un uso individuale.

Norme generiche di sicurezza

Attenzione! Leggere tutte le istruzioni. La mancata osservazione delle presenti istruzioni potrebbe causare scosse elettriche, incendi e/o infortuni gravi. Il termine "elettroutensile" che ricorre in tutte le avvertenze seguenti si riferisce ad utensili elettrici con o senza filo.

CONSERVARE QUESTE ISTRUZIONI.

1. Area di lavoro

a. Mantenere pulita e bene illuminata l'area di lavoro.

Il disordine e la scarsa illuminazione possono causare incidenti.

b. Evitare d'impiegare gli elettroutensili in ambienti esposti al rischio di esplosione, ad esempio in presenza di liquidi, gas o polveri infiammabili.

Gli elettroutensili producono scintille che possono far infiammare la polvere o i fumi.

c. Mantenere lontani bambini ed astanti mentre si usa l'elettroutensile. Eventuali distrazioni possono comportare la perdita del controllo dell'utensile.

2. Sicurezza elettrica

a. La spina elettrica deve essere adatta alla presa.

Evitare assolutamente di alterare la spina. Non impiegare spine adattatrici con utensili provvisti di messa a terra. L'uso di spine inalterate e delle prese corrispondenti riduce il rischio di scosse elettriche.

b. Evitare il contatto fisico con superfici collegate a terra, come tubi, radiatori, forni e frigoriferi: un corpo collegato a massa è esposto maggiormente al rischio di scosse elettriche.

c. Custodire gli elettroutensili al riparo dalla pioggia o dall'umidità. L'eventuale infiltrazione di acqua in un elettroutensile va ad aumentare il rischio di scosse elettriche.

d. Non esporre il cavo a sollecitazioni. Non usare il cavo per trasportare o trainare l'utensile e non tirarlo per estrarre la spina dalla presa di corrente. Mantenere il cavo al riparo dal calore, da bordi taglienti e/o da parti in moto. I cavi danneggiati o aggrovigliati aumentano il rischio di scosse elettriche.

e. Se l'elettroutensile viene adoperato all'aperto, usare esclusivamente prolunghes omologate per l'impiego all'esterno. Un cavo adatto per uso esterno riduce il rischio di scosse elettriche.

3. Sicurezza delle persone

a. È importante concentrarsi su ciò che si sta facendo e maneggiare con giudizio l'elettroutensile.

Non adoperare l'utensile se si è stanchi o sotto l'effetto di stupefacenti, alcol o medicinali: un attimo di distrazione può causare gravi infortuni personali.

b. Indossare sempre un equipaggiamento protettivo.

Indossare sempre degli occhiali di sicurezza. Se si avrà cura d'indossare l'equipaggiamento protettivo come necessario - ad esempio una maschera antipolvere, delle calzature antiscivolo, un casco o delle otoprotezioni - si riduce il rischio di infortuni.

c. Evitare l'accensione involontaria dell'utensile.

Prima d'inserire la spina nella presa, controllare che l'interruttore sia su Off. Per non esporsi al rischio d'incidenti, non trasportare gli elettroutensili tenendo le dita sull'interruttore oppure, se sono collegati all'alimentazione, con l'interruttore di accensione su On.

d. Prima di accendere un elettroutensile, togliere eventuali chiavi o attrezzi di regolazione. Un utensile o una chiave inglese lasciati in un componente mobile dell'utensile potranno causare lesioni.

e. Non sporgersi. Mantenere sempre un buon equilibrio evitando posizioni malsicure. In questo modo è possibile controllare meglio l'utensile in situazioni inaspettate.

f. Usare il vestiario appropriato. Evitare di indossare indumenti larghi o gioielli. Tenere capelli, vestiti e guanti lontani da pezzi in movimento. Vestiti svolazzanti, gioielli o capelli lunghi potranno impigliarsi nei componenti in movimento.

g. Se gli utensili sono provvisti di attacchi per la connessione di dispositivi di aspirazione o raccolta della polvere, assicurarsi questi siano installati e utilizzati correttamente. L'impiego dei suddetti dispositivi diminuisce i rischi correlati alle polveri.

4. Uso e cura degli elettroutensili

a. Non sovraccaricare l'utensile. Usare l'elettroutensile adatto per il lavoro da eseguire.

Utilizzando l'elettroutensile adatto si potrà lavorare meglio e con maggiore sicurezza alla potenza nominale prevista.

b. Non utilizzare elettroutensili con interruttori difettosi.

Un elettroutensile che non può essere controllato mediante l'interruttore è pericoloso e deve essere riparato.

c. Estrarre la spina dalla presa di corrente prima di regolare l'utensile, di sostituire degli accessori o di riporre l'utensile. Queste precauzioni di sicurezza riducono le possibilità che l'utensile venga messo in funzione inavvertitamente.

d. Quando non vengono usati, gli elettrodomestici vanno custoditi fuori della portata dei bambini.

Non consentire l'uso dell'apparecchio a persone inesperte o che non abbiano letto le presenti istruzioni, onde evitare pericoli.

e. Sottoporre gli elettrodomestici alle procedure di manutenzione del caso. Verificare che le parti mobili siano bene allineate e non s'inceppino, che non ci siano componenti rotti e/o non sussistano altre condizioni che possano compromettere il funzionamento dell'utensile. Eventuali guasti vanno riparati prima dell'uso. La scarsa manutenzione causa molti incidenti.

f. Mantenere affilati e puliti gli utensili da taglio.

Se sottoposti alla giusta manutenzione, gli utensili da taglio con taglienti affilati s'inceppano meno frequentemente e sono più facili da manovrare.

g. Utilizzare l'elettrodomestico, gli accessori, le punte ecc. in conformità delle presenti istruzioni e secondo la specifica destinazione prevista, tenendo conto delle condizioni di lavoro e del lavoro da completare.

L'impiego degli elettrodomestici per usi diversi da quelli consentiti può dar luogo a situazioni di pericolo.

5. Uso e cura degli utensili a batteria

a. Prima di inserire la batteria, assicurarsi che l'interruttore sia su Off. Se la batteria viene inserita in un utensile con l'interruttore su On ci si espone al rischio d'incidenti.

b. Ricaricare la batteria esclusivamente con il caricabatteria specificato dal fabbricante. Un caricabatteria adatto per un tipo di batteria può esporre al rischio d'incendio se usato con una batteria diversa.

c. Utilizzare gli elettrodomestici solo con le batterie indicate. L'uso di batterie diverse può esporre al rischio di infortuni e incendi.

d. Quando non è in uso, la batteria va conservata lontana da oggetti metallici come graffette, monete, chiavi, chiodi, viti o altre minuterie in metallo che possono creare contatto tra i poli. Il cortocircuito dei poli di una batteria può causare ustioni o incendi.

e. In condizioni di sovraccarico, le batterie possono perdere liquido: evitare di toccarlo. In caso di contatto accidentale, sciacquare con acqua. Se il liquido entra a contatto con gli occhi, rivolgersi ad un medico. Il liquido che fuoriesce dalla batteria può causare irritazioni o ustioni.

6. Riparazioni

a. Fare riparare l'utensile esclusivamente da personale qualificato e solo impiegando pezzi di ricambio originali, onde non alterare la sicurezza dell'utensile.

Istruzioni supplementari sulla sicurezza per batterie e caricatori

Batterie

- ◆ Non tentare mai di aprirle, per nessuna ragione.
- ◆ Non esporre la batteria all'acqua.
- ◆ Non conservarle in ambienti in cui la temperatura può superare i 40 °C.
- ◆ Caricarle solo a temperatura ambiente compresa tra i 4 °C e i 40 °C.
- ◆ Caricare la batteria solo usando il caricabatteria in corredo con l'attrezzo.
- ◆ Prima di smaltire le batterie, consultare le istruzioni riportate nella sezione "Protezione dell'ambiente".
- ◆ In condizioni estreme, la batteria può perdere liquido. Se si rileva la presenza di liquido sulla batteria, procedere come segue:
 - Asciugare con cura il liquido usando un panno. Evitare il contatto con l'epidermide.
 - In caso di contatto con l'epidermide o gli occhi, osservare le seguenti istruzioni.
- ◆ **Attenzione!** Il liquido delle batterie, una soluzione al 25-30% di idrossido di potassio, può essere nocivo. In caso di contatto con l'epidermide, sciacquare immediatamente con acqua. Intervenire con una sostanza leggermente acida, come succo di limone o aceto. In caso di contatto con gli occhi, sciacquare con abbondante acqua pulita per almeno 10 minuti. Consultare un medico.
- ◆ Non bruciare la batteria.
- ◆ Non tentare di caricare batterie danneggiate.

Caricabatterie

- ◆ Usate il vostro caricabatteria Black & Decker per caricare le batterie fornite con il vostro utensile. Batterie di altro tipo possono esplodere, provocando danni a persone e cose.
- ◆ Non tentare mai di ricaricare una batteria non ricaricabile.
- ◆ Sostituire immediatamente i cavi difettosi.
- ◆ Non esporre il caricabatteria all'acqua.
- ◆ Non aprire il caricabatteria.
- ◆ Non testare il caricabatteria.



Il caricabatteria è destinato ad essere usato esclusivamente in ambienti chiusi.

Sicurezza elettrica



Il caricabatteria è provvisto di doppio isolamento che rende superflua la messa a terra. Controllare che la tensione di alimentazione corrisponda a quella indicata sulla targhetta con i dati caratteristici. Non cercare di utilizzare una normale presa di corrente al posto del caricabatteria.

Caratteristiche

Questo elettroutensile è dotato di tutte le caratteristiche elencate di seguito, o di alcune di esse.

1. Interruttore a velocità variabile
2. Selettore avanti/indietro
3. Selettore modo/anello di regolazione coppia di serraggio
4. Mandrino
5. Selettore a due velocità (CP122K/CP142K)
6. Indicatore carica della batteria
7. Portapunta
8. Batteria

Fig. A

9. Caricabatteria
10. Base del caricabatteria
11. Indicatore di carica
12. Indicatore fine carica

Montaggio

Attenzione! Prima di montaggio, rimuovere la batteria.

Inserimento ed estrazione della batteria (fig. B & C)

- ◆ Per inserire la batteria (8), allinearla alla base sull'utensile. Fare scivolare la batteria nella base fino a che non s'inserisce con uno scatto.
- ◆ Per estrarre la batteria, premere il pulsante di sgancio (13) e, contemporaneamente, estrarla dalla base.

Inserimento del coperchio della batteria (fig. C)

Attenzione! Inserire il coperchio (14) sulla batteria (8) per trasportare e conservare l'elettroutensile.

Inserimento e rimozione di una punta per trapano o per cacciavite (fig. D)

L'utensile è dotato di un mandrino senza chiave che permette di cambiare con facilità le punte.

- ◆ Bloccate l'utensile posizionando il selettore avanti/indietro (2) nella posizione centrale.
- ◆ Aprire il mandrino girando la bussola (15) con una mano e sostenendo l'elettroutensile con l'altra mano.
- ◆ Inserire lo stelo della punta (16) nel mandrino.

- ◆ Serrare saldamente il mandrino girando la bussola (15) con una mano e sostenendo l'elettroutensile con l'altra mano. Questo elettroutensile viene fornito con un inserto a doppia punta inserito nel supporto punte (7).
- ◆ Per staccare l'inserto del cacciavite dal supporto punte, sollevarla dalla cava.
- ◆ Per rimettere nel supporto l'inserto, premerlo con decisione.

Uso

Attenzione! Lasciare che l'utensile lavori al suo ritmo, senza sovraccaricarlo.

Attenzione! Prima di forare pareti, pavimenti o soffitti, verificare l'ubicazione di cavi elettrici e tubazioni.

Caricamento della batteria (fig. A)

E' necessario caricare la batteria prima del primo utilizzo e ogniqualvolta che non eroghi la sufficiente energia per eseguire un lavoro che prima veniva eseguito con facilità. Quando si carica la batteria per la prima volta, o dopo un lungo periodo d'inattività, accetterà soltanto l'80% della sua capacità. Dopo diversi cicli di carica e scarica la batteria raggiunge la sua piena capacità. La batteria si può riscaldare durante il processo di carica; è normale e non è indicativo di nessun problema.

Attenzione! Non caricare la batteria ad una temperatura ambiente inferiore ai 4 °C o superiore ai 40 °C. La temperatura di carica consigliata è di circa 24 °C.

Uso del caricabatteria da 3 h

- ◆ Per caricare la batteria (8), toglierla dall'elettroutensile e collegarla al caricabatteria (10).
- ◆ Inserire la spina del caricabatteria nella presa (9). La batteria si riscalda durante la carica. Dopo circa tre ore la batteria sarà sufficientemente carica da consentire l'uso per applicazioni regolari. La batteria sarà completamente carica dopo circa sei ore.
- ◆ Togliere dalla batteria la base del caricabatteria.

Utilizzo del caricabatterie da 1 ora

- ◆ Per caricare la batteria (8), rimuoverla dall'utensile ed inserirla nel caricatore (9). La batteria s'inserisce in un solo verso nel caricabatteria. Assicuratevi che la batteria sia perfettamente inserita nel caricabatteria.
- ◆ Inserite la spina del caricabatteria.
- ◆ Controllare se la spia rossa della carica (11) s'illumina. Se, invece, s'illumina la spia verde di fine carica (12), significa che la batteria è troppo calda e non può essere caricata. In questo caso, togliere la batteria dal caricabatteria, farla raffreddare per circa 1 ora e poi reinserirla nel caricabatteria.

Dopo circa 1 ora di carica, la spia rossa di carica (11) si spegnerà e si accenderà la spia verde di fine carica (12).

A questo punto la batteria è completamente carica.

- ◆ Togliere la batteria dal caricabatterie.

Controllo delle condizioni della batteria (fig. E)

Questo utensile è dotato di un indicatore di carica della batteria che permette di controllare le condizioni della batteria.

- ◆ Premere e tenere premuto il pulsante (17).
- ◆ Controllare quante spie (18) sono accese:

Carica della batteria

1 spia	bassa
2 spie	medio
3 spie	alta


Selezione del senso di rotazione (fig. F)

Per trapanare e avvitare, selezionare il senso di rotazione in avanti (senso orario). Per svitare o per togliere una punta inceppata, selezionare il senso di rotazione indietro (senso antiorario).


- ◆ Per selezionare la rotazione in avanti, spingere il selettore avanti/indietro (2) verso sinistra.
- ◆ Per selezionare la rotazione indietro, spingere il selettore avanti/indietro verso destra.
- ◆ Per bloccare l'utensile, collocare il selettore avanti/indietro nella posizione centrale.

Selezione del modo operativo o della coppia di serraggio (fig. G)

Questo utensile è dotato di una ghiera che permette di regolare la coppia di serraggio alla quale avvitare le viti. Viti grandi e materiali duri richiedono una coppia di serraggio più elevata rispetto a viti piccole e materiali morbidi. La ghiera ha un'ampia gamma di impostazioni adatte ad ogni applicazione.

- ◆ Per trapanare legno, metallo e plastica, collocare l'anello (3) nella posizione di trapanatura allineando il simbolo  alla tacca (19).
- ◆ Per usare l'utensile come cacciavite, collocare la ghiera sull'impostazione desiderata. Se non si è ancora pratici delle impostazioni corrette, procedere come segue:
 - ◆ Collocare la ghiera (3) sull'impostazione della coppia di serraggio più bassa.
 - ◆ Stringere la prima vite.
 - ◆ Se la frizione si arresta prima che si sia ottenuto il risultato desiderato, regolare la ghiera su un valore maggiore e continuare a stringere la vite. Ripetere l'operazione fino ad ottenere l'impostazione corretta. Fare uso di quest'impostazione per tutte le altre viti.

CP122K/CP142K – Praticare fori in strutture in muratura (fig. G & H)

- ◆ Per trapanare muri, collocare l'anello (3) nella posizione di trapanatura allineando il simbolo  alla tacca (19).
- ◆ Fare slittare il selettore a due scatti (5) verso la parte anteriore dell'utensile (2° scatto).

CP122K/CP142K - Selettore a due velocità (fig. H)

- ◆ Per trapanare l'acciaio ed avvitare le viti, fare slittare il selettore della velocità (5) verso la parte posteriore dell'utensile (1° velocità).
- ◆ Per trapanare materiali diversi dall'acciaio, fare slittare il selettore a due scatti (5) verso la parte anteriore dell'utensile (2° velocità).

Istruzioni per trapanare/avvitare (fig. A)

- ◆ Selezionare il senso di rotazione usando il selettore avanti/indietro (2).
- ◆ Per accendere l'utensile, premere l'interruttore (1). La velocità dell'utensile dipende dalla pressione esercitata sull'interruttore.
- ◆ Per spegnere l'utensile, rilasciare l'interruttore.

Consigli per un'ottima utilizzazione

Istruzioni per trapanare

- ◆ Esercitare sempre una leggera pressione in linea retta con la punta.
- ◆ Prima che la punta fuoriesca dall'altra parte del pezzo in lavorazione, diminuire la pressione sull'utensile.
- ◆ Usare un blocco di legno per sostenere i pezzi in lavorazione che si possono scheggiare.
- ◆ Usare punte a pala per praticare fori di diametro largo su legno.
- ◆ Usare punte in acciaio rapido per trapanare i metalli.
- ◆ Usare punte per muratura per trapanare i muri.
- ◆ Usare un lubrificante per trapanare metalli diversi da ottone e ferro.
- ◆ Per aumentare l'accuratezza della trapanatura, fare una tacca con un punteruolo al centro del punto da trapanare.

Avvitatura

- ◆ Usare sempre una punta per avvitare di tipo e misura adeguati.
- ◆ Se le viti sono difficili da stringere, provare ad applicare una piccola quantità di liquido detergente o sapone come lubrificante.
- ◆ Mantenere sempre l'elettro utensile e la punta in linea retta rispetto alla vite.

Manutenzione

Questo utensile Black & Decker é stato progettato per funzionare a lungo con un minimo di manutenzione. Per ottenere prestazioni sempre soddisfacenti occorre avere cura dell'utensile e sottoporlo a manutenzione periodica.

Il caricabatteria non richiede alcun tipo di manutenzione oltre a una regolare pulizia.

Attenzione! Prima di eseguire qualsiasi tipo di manutenzione dell'utensile, estrarne le batterie. Scollegare il caricatore dalla presa elettrica prima di pulirlo.

- ◆ Pulite regolarmente con una spazzola morbida o un panno asciutto le prese di ventilazione dell'utensile e del caricabatteria.
- ◆ Il vano motore va pulito regolarmente con un panno umido. Non usare materiali abrasivi o detergenti a base di solventi.
- ◆ Aprire regolarmente il mandrino e colpirlo leggermente per togliere tutta la polvere dall'interno.

Protezione dell'ambiente



Raccolta differenziata. Questo prodotto non deve essere smaltito con i normali rifiuti domestici.

Nel caso in cui si decida di sostituire l'apparecchio oppure di disfarsene in quanto non più necessario, non dovrà essere smaltito con i normali rifiuti domestici. Smaltire il prodotto tramite raccolta differenziata.



La raccolta differenziata di prodotti e imballaggi usati, consente il riciclaggio e il riutilizzo dei materiali. Riutilizzare i materiali riciclati aiuta a prevenire l'inquinamento ambientale e riduce la richiesta di materie prime.

In base alle normative locali, i servizi per la raccolta differenziata di elettrodomestici possono essere disponibili presso i punti di raccolta municipali o presso il rivenditore, al momento dell'acquisto di un nuovo prodotto.

Black & Decker offre ai suoi clienti un servizio per la raccolta differenziata e la possibilità di riciclare i prodotti Black & Decker che hanno esaurito la loro durata in servizio. Per usufruire del servizio, è sufficiente restituire il prodotto a qualsiasi tecnico autorizzato, incaricato della raccolta per conto dell'azienda.

Per individuare il tecnico autorizzato più vicino, rivolgersi alla sede Black & Decker locale, presso il recapito indicato nel presente manuale. Altrimenti un elenco completo di tutti i tecnici autorizzati Black & Decker e i dettagli completi sui contatti e i servizi post-vendita sono disponibili sul sito Internet: **www.2helpU.com**

Batterie



Le batterie della Black & Decker si possono ricaricare più volte: al termine della loro durata in servizio, devono essere raccolte negli appositi contenitori, per garantirne lo smaltimento nel rispetto dell'ambiente.

- ◆ Quando è completamente esaurita, la batteria deve essere estratta dall'utensile.
- ◆ Le batterie NiCd e NiMH sono riciclabili e devono essere consegnate a un tecnico autorizzato o portate presso un impianto di riciclaggio di zona.

Caricabatteria	3 h	1 h
Tensione di rete	V _{AC} 230	230
Tempo approssimato di carica	h 3	1

Dati tecnici

	CP12	CP122	CP14	CP142
Tensione	V _{DC} 12	12	14,4	14,4
Velocità a vuoto	min ⁻¹ 0-700	0-400/0-1300	0-750	0-400/0-1300
Coppia max.	Nm 16	20	17	21
Capacità del mandrino	mm 10	10	10	10
Capacità max. di trapanatura acciaio/legno/muratura	mm 10	10	10	10
Cat. no. batteria	A12	A12	A14	A14
Capacità	Ah 1,5	1,5	1,5	1,5
Peso	kg 1,7	1,8	1,7	1,8

Dichiarazione CE di Conformità

CP12/CP122/CP14/CP142

Black & Decker dichiara che i presenti prodotti sono conformi a:

EN 50260, EN 55014, EN 60335, EN 61000

L_{pA} (pressione sonora) 68 dB(A), L_{WA} (potenza acustica) 79 dB(A), vibrazione misurata su braccio / mano < 2,5 m/s²

K_{pA} (incertezza sulla pressione sonora) 3 dB(A),

K_{WA} (incertezza sulla potenza acustica) 3 dB(A)



Kevin Hewitt

Direttore tecnico prodotti di consumo
Spennymoor, County Durham DL16 6JG,
Regno Unito
1-5-2005

I clienti che desiderano registrare il nuovo prodotto Black & Decker e ricevere gli aggiornamenti sui nuovi prodotti e le offerte speciali, sono invitati a visitare il sito Web (www.blackanddecker.it). Ulteriori informazioni sul marchio e la gamma di prodotti Black & Decker sono disponibili all'indirizzo www.blackanddecker.it

Garanzia

Certa della qualità dei suoi prodotti, Black & Decker offre una garanzia eccezionale. Il presente certificato di garanzia è complementare ai diritti statutari e non li pregiudica in alcun modo. La garanzia è valida entro il territorio degli Stati membri dell'Unione Europea e dell'EFTA (European Free Trade Area).

Se un prodotto Black & Decker risulta difettoso per qualità del materiale, della costruzione o per mancata conformità entro 24 mesi dalla data di acquisto, Black & Decker garantisce la sostituzione delle parti difettose, provvede alla riparazione dei prodotti se ragionevolmente usurati oppure alla loro sostituzione, in modo da ridurre al minimo il disagio del cliente a meno che:

- ◆ Il prodotto non sia stato destinato ad usi commerciali, professionali o al noleggio;
- ◆ Il prodotto non sia stato usato in modo improprio o scorretto;
- ◆ Il prodotto non abbia subito danni causati da oggetti o sostanze estranee oppure incidenti;
- ◆ Il prodotto non abbia subito tentativi di riparazione non effettuati da tecnici autorizzati né dall'assistenza Black & Decker.

Per attivare la garanzia è necessario esibire la prova comprovante l'acquisto al venditore o al tecnico autorizzato. Per individuare il tecnico autorizzato più vicino, rivolgersi alla sede Black & Decker locale, presso il recapito indicato nel presente manuale. Altrimenti un elenco completo di tutti i tecnici autorizzati Black & Decker e i dettagli completi sui contatti e i servizi post-vendita sono disponibili su Internet presso:

www.2helpU.com

Gebruik volgens bestemming

Uw Black & Decker schroef/boormachine CP12K/CP14K is bedoeld voor het in- en uitdraaien van schroeven en voor het boren in hout, metaal en kunststoffen.

Uw Black & Decker schroef/boormachine CP122K/CP142K is bedoeld voor het in- en uitdraaien van schroeven en voor het boren in hout, metaal, kunststoffen en zacht metselwerk.

Deze machine is uitsluitend bestemd voor consumentengebruik.

Algemene veiligheidsvoorschriften

Waarschuwing! Lees alle voorschriften. Wanneer de volgende voorschriften niet in acht worden genomen, kan dit een elektrische schok, brand of ernstig letsel tot gevolg hebben. Het hierna gebruikte begrip "elektrisch gereedschap" heeft betrekking op elektrische gereedschappen voor gebruik op het stroomnet (met netsnoer) of op accu (snoerloos). **BEWAAR DEZE VOORSCHRIFTEN GOED.**

1. Werkomgeving

- a. **Houd uw werkomgeving schoon en opgeruimd.**
Een rommelige of onverlichte werkomgeving kan tot ongevallen leiden.
- b. **Werk met de machine niet in een omgeving met explosiegevaar, zoals in de nabijheid van brandbare vloeistoffen, gasen of stof bevinden.** Elektrische gereedschappen veroorzaken vonken die het stof of de dampen tot ontsteking kunnen brengen.
- c. **Houd kinderen en andere personen tijdens het gebruik van het elektrische gereedschap uit de buurt.** Wanneer u wordt afgeleid, kunt u de controle over het gereedschap verliezen.

2. Elektrische veiligheid

- a. **De netstekker van het gereedschap moet in het stopcontact passen. De stekker mag in geen geval worden veranderd. Gebruik geen adapterstekkers in combinatie met gearde gereedschappen.**
Onveranderde stekkers en passende stopcontacten beperken het risico van een elektrische schok.
- b. **Voorkom aanraking van het lichaam met gearde oppervlakken, bijvoorbeeld buizen, verwarmingen, fornuizen en koelkasten.** Er bestaat een verhoogd risico voor een elektrische schok wanneer uw lichaam geaard is.
- c. **Houd het gereedschap uit de buurt van regen en vocht.** Het binnendringen van water in het elektrische gereedschap vergroot het risico van een elektrische schok.
- d. **Gebruik het snoer niet voor een verkeerd doel. Gebruik het snoer niet om het gereedschap te dragen of op te hangen of om de stekker uit het stopcontact te trekken. Houd het snoer uit de buurt van hitte, olie, scherpe randen of bewegende delen.**

Beschadigde of in de war geraakte snoeren vergroten het risico van een elektrische schok.

- e. **Wanneer u buitenshuis met elektrisch gereedschap werkt, dient u alleen verlengsnoeren te gebruiken die voor gebruik buitenshuis zijn goedgekeurd.**
Het gebruik van een voor gebruik buitenshuis geschikt verlengsnoer beperkt het risico van een elektrische schok.
- ### 3. Veiligheid van personen
- a. **Wees alert, let goed op wat u doet en ga met verstand te werk bij het gebruik van elektrische gereedschappen. Gebruik elektrisch gereedschap niet wanneer u moe bent of onder invloed van drugs, alcohol of medicijnen.** Een moment van onoplettendheid bij het gebruik van het gereedschap kan tot ernstige verwondingen leiden.
 - b. **Draag persoonlijke beschermende uitrusting. Draag altijd een veiligheidsbril.** Het dragen van persoonlijke beschermende uitrusting zoals een stofmasker, slipvaste werkschoenen, een veiligheidshelm of gehoorbescherming, afhankelijk van de aard en het gebruik van het elektrische gereedschap, vermindert het risico van verwondingen.
 - c. **Voorkom per ongeluk inschakelen. Controleer of de schakelaar in de uit-stand staat voordat u de stekker in het stopcontact steekt.** Wanneer u bij het dragen van het gereedschap uw vinger aan de schakelaar hebt of wanneer u het gereedschap ingeschakeld op de stroomvoorziening aansluit, kan dit tot ongevallen leiden.
 - d. **Verwijder instelgereedschappen of schroef sleutels voordat u het gereedschap inschakelt.**
Een instelgereedschap of sleutel in een draaiend deel van het gereedschap kan tot verwondingen leiden.
 - e. **Reik niet te ver. Zorg er altijd voor dat u stevig staat en in evenwicht blijft.** Daardoor kunt u het gereedschap in onverwachte situaties beter onder controle houden.
 - f. **Draag geschikte kleding. Draag geen loshangende kleding of sieraden. Houd haren, kleding en handschoenen uit de buurt van bewegende delen.**
Loshangende kleding, sieraden en lange haren kunnen door bewegende delen worden meegenomen.
 - g. **Wanneer stofafzuigings- of stofopvangvoorzieningen kunnen worden gemonteerd, dient u zich ervan te verzekeren dat deze zijn aangesloten en juist worden gebruikt.** Het gebruik van deze voorzieningen beperkt het gevaar door stof.

4. Gebruik en onderhoud van elektrische gereedschappen

- a. **Overbelast het gereedschap niet. Gebruik voor uw toepassing het daarvoor bestemde elektrische gereedschap.** Met het passende elektrische gereedschap werkt u beter en veiliger binnen het aangegeven capaciteitsbereik.
- b. **Gebruik geen elektrisch gereedschap waarvan de schakelaar defect is.** Elektrisch gereedschap dat niet meer kan worden in- of uitgeschakeld, is gevaarlijk en moet worden gerepareerd.
- c. **Trek de stekker uit het stopcontact voordat u het gereedschap instelt, toebehoren wisselt of het gereedschap weglegt.** Deze voorzorgsmaatregel voorkomt onbedoeld starten van het gereedschap.
- d. **Bewaars niet-gebruikte elektrische gereedschappen buiten bereik van kinderen. Laat het gereedschap niet gebruiken door personen die er niet mee vertrouwd zijn en deze aanwijzingen niet hebben gelezen.** Elektrische gereedschappen zijn gevaarlijk wanneer deze door onervaren personen worden gebruikt.
- e. **Verzorg het gereedschap zorgvuldig. Controleer of bewegende delen van het gereedschap correct functioneren en niet vastklemmen en of onderdelen zodanig gebroken of beschadigd zijn dat de werking van het gereedschap nadelig wordt beïnvloed. Laat beschadigde delen repareren voordat u het gereedschap gebruikt.** Veel ongevallen worden veroorzaakt door slecht onderhouden elektrische gereedschappen.
- f. **Houd snijdende inzetgereedschappen scherp en schoon.** Zorgvuldig onderhouden snijdende inzetgereedschappen met scherpe snijkanten klemmen minder snel vast en zijn gemakkelijker te geleiden.
- g. **Gebruik elektrische gereedschappen, toebehoren, inzetgereedschappen en dergelijke volgens deze aanwijzingen en zoals voor dit speciale gereedschapstype voorgeschreven. Let daarbij op de arbeidsomstandigheden en de uit te voeren werkzaamheden.** Het gebruik van elektrische gereedschappen voor andere dan de voorziene toepassingen kan tot gevaarlijke situaties leiden.

5. Gebruik en onderhoud van accu-gereedschappen

- a. **Controleer of de schakelaar in de uit-stand staat voordat u de accu in het gereedschap steekt.** Wanneer bij het aanbrengen van een accu in elektrisch gereedschap de schakelaar in de aan-stand staat, kan dit tot ongevallen leiden.

- b. **Laad accu's alleen op in opladers die door de fabrikant zijn gespecificeerd.** Voor een oplader die voor een bepaald type accu geschikt is, bestaat brandgevaar wanneer hij met andere accu's wordt gebruikt.
- c. **Gebruik elektrische gereedschappen alleen met de daarvoor bedoelde accu's.** Het gebruik van andere accu's kan leiden tot verwondings- en brandgevaar.
- d. **Houd accu's die niet in gebruik zijn uit de buurt van metalen voorwerpen zoals paperclips, munten, sleutels, spijkers, schroeven en andere kleine metalen voorwerpen die overbrugging van de contacten kunnen veroorzaken.** Kortsluiting tussen de accucontacten kan brandwonden of brand tot gevolg hebben.
- e. **Bij verkeerd gebruik kan vloeistof uit de accu lekken. Voorkom contact. Spoel in geval van onvoorzien contact met water af. Wanneer de vloeistof in de ogen komt, dient u bovendien een arts te raadplegen.** Uit de accu gelekte vloeistof kan huidirritaties of brandwonden veroorzaken.

6. Service

- a. **Laat het gereedschap alleen repareren door gekwalificeerd en vakkundig personeel en alleen met originele vervangingsonderdelen.** Daarmee wordt de veiligheid van het gereedschap gewaarborgd.

Aanvullende veiligheidsvoorschriften voor accu's en opladers

Accu's

- ◆ Probeer nooit een accu te openen.
- ◆ Stel de accu niet aan water bloot.
- ◆ Bewaar accu's niet op plaatsen waar de temperatuur 40 °C kan overschrijden.
- ◆ Laad accu's uitsluitend op bij een omgevingstemperatuur tussen 4 °C en 40 °C.
- ◆ Laad accu's uitsluitend op met behulp van de meegeleverde oplader.
- ◆ Volg bij het afdanken van accu's de instructies in de paragraaf "Milieu" op.
- ◆ Onder extreme gebruikscondities kan er vloeistof uit de accu vrijkomen. Als u vloeistof op de accu opmerkt, gaat u als volgt te werk:
 - Verwijder met behulp van een doekje voorzichtig de vloeistof van de accu. Vermijd huidcontact.
 - Als de vloeistof toch in aanraking komt met de huid of de ogen, volgt u de onderstaande instructies op.
- ◆ **Waarschuwing!** De accuvloeistof bestaat uit een 25-30 % oplossing van kaliumhydroxide en kan gevaarlijk zijn. Indien accuvloeistof met de huid in aanraking is gekomen, spoel dan de huid onmiddellijk met water af. Neutraliseer de vloeistof met een zwak zuur zoals citroensap of azijn.

Indien accu's in de ogen is gekomen, spoel de ogen dan gedurende minimaal 10 minuten met schoon stromend water. Raadpleeg vervolgens een arts.

- ◆ Verbrand de accu nooit.
- ◆ Probeer nooit een beschadigde accu op te laden.

Opladers

- ◆ Gebruik uw Black & Decker oplader uitsluitend voor het opladen van accu's van het meegeleverde type. Andere accu's kunnen barsten, waardoor letsel en materiële schade kunnen ontstaan.
- ◆ Probeer nooit om niet oplaadbare accu's op te laden.
- ◆ Laat een defect netsnoer onmiddellijk vervangen.
- ◆ Stel de oplader niet aan water bloot.
- ◆ Open de oplader niet.
- ◆ Steek geen voorwerpen in het inwendige van de oplader.



De oplader is uitsluitend bedoeld voor gebruik binnenshuis.

Elektrische veiligheid



Uw oplader is dubbel geïsoleerd; een aardaansluiting is daarom niet noodzakelijk. Controleer altijd of de netspanning overeenkomt met het voltage op het typeplaatje. Vervang de oplader nooit door een netstekker.

Onderdelen

Al naar gelang de uitvoering beschikt deze machine over de volgende onderdelen.

1. Schakelaar voor elektronisch regelbaar toerental
2. Links/rechtsschakelaar
3. Modusselectie/koppelstelkraag
4. Boorhouder
5. Twee versnellingen keuzeschakelaar (CP122K/CP142K)
6. Indicatie voor accu opladen
7. Bithouder
8. Accu

Fig. A

9. Oplader
10. Opladerhouder
11. Oplaadindicator
12. Indicator einde oplaadtijd

Montage

Waarschuwing! Neem voor de montage de accu van de machine.

Aanbrengen en verwijderen van de accu (fig. B & C)

- ◆ Om de accu (8) aan te brengen, houdt u hem voor de houder in de machine. Schuif de accu in de houder en duw deze aan totdat hij vastklikt.
- ◆ Druk om de accu te verwijderen de ontgrendelingsknop (13) in en trek tegelijkertijd de accu uit de houder.

Aanbrengen van de accukap (fig. C)

Waarschuwing! Plaats voor transport en opslag de accukap (14) op de accu (8).

Monteren en verwijderen van een boor of schroefbit (fig. D)

Deze machine is voorzien van een snelspanboorhouder voor het eenvoudig verwisselen van bits.

- ◆ Vergrendel de machine door de links/rechts-schuif (2) in de middenpositie te zetten.
- ◆ Open de boorhouder door met één hand aan de huls (15) te draaien en ondertussen met de andere hand de machine vast te houden.
- ◆ Steek de schacht van de boor of bit (16) in de boorhouder.
- ◆ Draai de boorhouder stevig vast door met één hand aan de huls (15) te draaien en ondertussen met de andere hand de machine vast te houden.

Deze machine wordt geleverd met een dubbelzijdige schroevendraaierbit in de bithouder (7).

- ◆ Om de schroefbit uit de bithouder te verwijderen, licht u de bit uit de uitsparing.
- ◆ Om de schroefbit te bewaren, drukt u deze stevig in de houder.

Gebruik

Waarschuwing! Laat de machine op haar eigen tempo werken. Niet overbelasten.

Waarschuwing! Controleer voordat u gaat boren in muren, vloeren of plafonds de locatie van eventueel aanwezige gas-, water- en elektriciteitsleidingen.

Opladen van de accu (fig. A)

De accu moet worden opgeladen voor het eerste gebruik alsmede zodra hij niet meer genoeg energie levert voor werkzaamheden die eerder moeiteloos konden worden verricht. Als u de accu voor de eerste keer of na langdurige opslag oplaadt, zal deze slechts voor ca. 80% worden opgeladen. Na een aantal laad- en ontlaad-cycli wordt de accu echter compleet opgeladen. Tijdens het opladen kan de accu warm aanvoelen. Dit is normaal en duidt niet op een defect.

Waarschuwing! Laad de accu niet op bij omgevingstemperaturen onder 4 °C of boven 40 °C. Aanbevolen oplaadtemperatuur: ca. 24 °C.

Gebruiken van de 3-uurslader

- ◆ Om de accu (8) op te laden, haalt u deze uit de machine en schuift u de opladerhouder (10) op de accu.
- ◆ Steek de stekker van de oplader (9) in het stopcontact. Tijdens het opladen wordt de accu warm. Na ongeveer 3 uur laden is de accu voldoende opgeladen voor normaal gebruik. Na ongeveer 6 uur laden is de accu volledig opgeladen.
- ◆ Verwijder de opladerhouder van de accu.

Gebruiken van de 1-uurslader

- ◆ Om de accu (8) op te laden, haalt u deze uit de machine en steekt hem in de oplader (9). De accu past slechts op één manier in de oplader. Niet forceren. Verzeker u ervan dat de accu volledig in de oplader is geplaatst.
- ◆ Steek de stekker van de oplader in het stopcontact.
- ◆ Controleer of de rode oplaadindicator (11) brandt. Als de groene indicator einde oplaadtijd (12) brandt, is de accu te heet en kan deze niet worden opgeladen. Indien dit gebeurt, haalt u de accu uit de oplader en laat hem ongeveer 1 uur afkoelen voordat u de accu terugplaatst.

Na ongeveer 1 uur opladen dooft de rode oplaadindicator (11) en gaat de groene indicator einde oplaadtijd (12) branden. De accu is nu volledig opgeladen.

- ◆ Verwijder de accu uit de oplader.

De staat van de accu controleren (fig. E)

Deze machine is voorzien van een ladingsindicator, waarmee u de staat van de accu kunt controleren.

- ◆ Druk de knop (17) in en houdt deze ingedrukt.
- ◆ Kijk hoeveel lampjes (18) er branden:

Acculading

1 lampje	laag
2 lampjes	half
3 lampjes	vol

Selecteren van de draairichting (fig. F)

Kies voor boren en schroeven indraaien de draairichting rechtsom (met de klok mee). Kies voor schroeven losdraaien of voor het verwijderen van een vastgelopen boor de draairichting linksom (tegen de klok in).

- ◆ Om de draairichting rechtsom te selecteren, drukt u de links/rechts-schakelaar (2) naar links.
- ◆ Om de draairichting linksom te selecteren, drukt u de links/rechts-schakelaar (2) naar rechts.
- ◆ Om de machine te vergrendelen, zet u de links/rechts-schakelaar in de middenpositie.

De werkmodus of het koppel selecteren (fig. G)

Deze machine is voorzien van een kraag om de werkmodus te selecteren en het koppel in te stellen voor het vastdraaien van schroeven.

Grote schroeven en werkstukken van harde materialen vereisen een hogere koppelingstelling dan kleine schroeven en werkstukken van zachte materialen. De kraag bevat een groot aantal instellingen om op uw toepassing af te stellen.

- ◆ Voor boren in hout, metaal en kunststoffen zet u de kraag (3) in de boorpositie door het symbool **B** op één lijn met de markering (19) te brengen.
- ◆ Voor schroevendraaien zet u de kraag in de gewenste stand. Als u de geschikte stand nog niet kent, gaat u als volgt te werk:
 - ◆ Zet de kraag (3) op de laagste koppelingstelling.
 - ◆ Draai de eerste schroef in.
 - ◆ Als de koppeling slijt voordat het gewenste resultaat is bereikt, verhoogt u de koppelstand en gaat u verder met het indraaien van de schroef. Herhaal totdat u de juiste stand bereikt. Gebruik deze stand voor de resterende schroeven.

CP122K/CP142K - Boren in metselwerk (fig. G & H)

- ◆ Voor boren in metselwerk zet u de kraag (3) in de klopperpositie door het symbool **T** op één lijn met de markering (19) te brengen.
- ◆ Schuif de twee versnellingen keuzeschakelaar (5) in de richting van de voorkant van de machine (tweede versnelling).

CP122K/CP142K - Twee versnellingen keuzeschakelaar (fig. H)

- ◆ Schuif voor boren in staal en voor schroevendraaiertoepassingen de twee versnellingen keuzeschakelaar (5) in de richting van de achterkant van de machine (eerste versnelling).
- ◆ Schuif voor boren in andere materialen dan staal de twee versnellingen keuzeschakelaar (5) in de richting van de voorkant van de machine (tweede versnelling).

Boren/schroeven

- ◆ Selecteer de draairichting links- of rechtsom met behulp van de links/rechts-schakelaar (2).
- ◆ Om de machine in te schakelen, drukt u de schakelaar (1) in. De machinesnelheid hangt af van hoever u de schakelaar indrukt.
- ◆ Om de machine uit te schakelen, laat u de schakelaar los.

Tips voor optimaal gebruik

Boren

- ◆ Voer altijd lichte druk uit in een rechte lijn met de boor.
- ◆ Verminder de druk op de machine net voordat de boorpunt door de andere kant van het werkstuk heengaat.
- ◆ Gebruik een blok hout om werkstukken die kunnen versplinteren te beschermen.

- ◆ Gebruik houtboren voor het boren van grote gaten in hout.
- ◆ Gebruik HSS-boren voor het boren in metaal.
- ◆ Gebruik steenboorbits voor boren in zacht metselwerk.
- ◆ Gebruik een smeermiddel voor boren in andere metalen dan gietijzer en koper.
- ◆ Maak een inkerving met behulp van een centerpons in het midden van het te boren gat om de nauwkeurigheid te vergroten.

Wanneer uw oude Black & Deckerproduct aan vervanging toe is of het u niet langer van dienst kan zijn, gooi het dan niet bij het huishoudelijk afval. Zorg ervoor dat het product gescheiden kan worden ingezameld.



Door gebruikte producten en verpakkingen gescheiden in te zamelen, worden de materialen gerecycled en opnieuw gebruikt. Hergebruik van gerecyclede materialen voorkomt milieuvervuiling en vermindert de vraag naar grondstoffen.

Schroeven

- ◆ Gebruik altijd het juiste type en de juiste maat schroefbit.
- ◆ Als schroeven moeilijk in te draaien zijn, gebruik dan een beetje vloeibaar wasmiddel of zeep als smeermiddel.
- ◆ Houd de machine en schroefbit altijd in een rechte lijn met de schroef.

Inzamelpunten voor gescheiden inzameling van elektrische huishoudproducten bij gemeentelijke vuilnisbergen of bij de verkoper waar u een nieuw product koopt, kunnen aan plaatselijke voorschriften gebonden zijn.

Onderhoud

Uw Black & Decker machine is ontworpen om gedurende langere periode te functioneren met een minimum aan onderhoud. Voortdurend tevreden gebruik is afhankelijk van correct onderhoud en regelmatig schoonmaken. Uw oplader heeft geen ander onderhoud dan een regelmatige reiniging.

Black & Decker biedt de mogelijkheid tot inzamelen en recyclen van afgedankte Black & Decker producten. Om gebruik van deze service te maken, dient u het product aan een van onze servicecentra te sturen, die voor ons de inzameling verzorgen.

Waarschuwing! Verwijder de accu van de machine alvorens onderhoudswerkzaamheden uit te voeren. Koppel voor het reinigen van de oplader de netstekker los van het lichtnet.

U kunt het adres van het dichtstbijzijnde servicecentrum opvragen via de adressen op de achterzijde van deze handleiding. U kunt ook een lijst van onze servicecentra en meer informatie m.b.t. onze klantenservice vinden op het volgende Internet-adres: www.2helpU.com

- ◆ Reinig regelmatig de ventilatieopeningen van de machine en oplader met behulp van een zachte borstel of een droge doek.
- ◆ Reinig regelmatig de behuizing van de motor met een vochtige doek. Gebruik geen schuur- of oplosmiddel.
- ◆ Open regelmatig de boorhouder en tik zachtjes om eventueel stof uit de binnenkant te verwijderen.

Accu's



Black & Decker accu's kunnen vele malen opnieuw worden opgeladen. Versleten accu's dienen op milieubewuste wijze te worden verwijderd:

- ◆ Gebruik de energie van de accu helemaal op en verwijder hem dan van de machine.
- ◆ NiCd- en NiMH-accu's zijn te recyclen. Breng ze naar een servicecentrum of naar een plaatselijk verwerkingscentrum voor klein chemisch afval.

Milieu



Gescheiden inzameling. Dit product mag niet met het gewone huishoudelijke afval worden weggegooid.

Oplader		3 uur	1 uur
Netspanning	V _{AC}	230	230
Gemiddelde oplaadtijd	h	3	1

Technische gegevens

		CP12	CP122	CP14	CP142
Spanning	V _{DC}	12	12	14,4	14,4
Onbelast toerental	min ⁻¹	0-700	0-400/0-1300	0-750	0-400/0-1300
Max. koppel	Nm	16	20	17	21
Boorhoudercapaciteit	mm	10	10	10	10
Max. boorcapaciteit in staal/hout/metselwerk	mm	10	10	10	10
Cat. nr. accu		A12	A12	A14	A14
Capaciteit	Ah	1,5	1,5	1,5	1,5
Gewicht	kg	1,7	1,8	1,7	1,8

EG-conformiteitsverklaring

CP12/CP122/CP14/CP142

Black & Decker verklaart dat deze producten in
overeenstemming zijn met:

EN 50260, EN 55014, EN 60335, EN 61000

L_{pA} (geluidsdruk) 68 dB(A), L_{WA} (geluidsvermogen) 79 dB(A),
gewogen kwadratische gemiddelde waarde van de versnelling
< 2,5 m/s²

K_{pA} (meetonzekerheid geluidsdruk) 3 dB(A),
 K_{WA} (meetonzekerheid geluidsvermogen) 3 dB(A)



Kevin Hewitt
Director of Consumer Engineering
Spennymoor, County Durham DL16 6JG,
Verenigd Koninkrijk
1-5-2005

Garantie

Black & Decker heeft vertrouwen in zijn producten en biedt een uitstekende garantie. Deze garantiebepalingen vormen een aanvulling op uw wettelijke rechten en beperken deze niet. De garantie geldt in de lidstaten van de Europese Unie en de Europese Vrijhandelsassociatie.

Mocht uw Black & Decker product binnen 24 maanden na datum van aankoop defect raken tengevolge van materiaal- of constructiefouten, dan garanderen wij de kosteloze vervanging van defecte onderdelen, de reparatie van het product of de vervanging van het product, tenzij:

- ◆ Het product is gebruikt voor handelsdoeleinden, professionele toepassingen of verhuurdoeleinden;
- ◆ Het product onoordeelkundig is gebruikt;
- ◆ Het product is beschadigd door invloeden van buitenaf of door een ongeval;
- ◆ Reparaties zijn uitgevoerd door anderen dan onze servicecentra of Black & Decker personeel.

Om een beroep op de garantie te doen, dient u een aankoopbewijs te overhandigen aan de verkoper of een van onze servicecentra. U kunt het adres van het dichtstbijzijnde servicecentrum opvragen via de adressen op de achterzijde van deze handleiding. U kunt ook een lijst van onze servicecentra en meer informatie m.b.t. onze klantenservice vinden op het volgende Internet-adres: **www.2helpU.com**

Meld u aan op onze website **www.blackanddecker.nl** om te worden geïnformeerd over nieuwe producten en speciale aanbiedingen. Verdere informatie over het merk Black & Decker en onze producten vindt u op **www.blackanddecker.nl**

Finalidad

El taladro/atornillador Black & Decker CP12K/CP14K ha sido diseñado para atornillar y desatornillar así como para taladrar madera, metal y plástico.

El taladro/atornillador Black & Decker CP122K/CP142K ha sido diseñado para atornillar y desatornillar así como para taladrar madera, metal, plástico y mampostería blanda.

Esta herramienta está pensada únicamente para uso doméstico.

Normas de seguridad generales

¡Atención! Lea íntegramente estas instrucciones. En caso de no atenerse a las instrucciones de seguridad siguientes, ello puede dar lugar a una descarga eléctrica, incendio o lesión grave. El término "herramienta eléctrica" empleado en las advertencias indicadas a continuación se refiere a la herramienta eléctrica con alimentación de red (con cable) o alimentada por batería (sin cable).

GUARDE ESTAS INSTRUCCIONES EN UN LUGAR SEGURO.

1. Área de trabajo

a. Mantenga limpia y bien iluminada el área de trabajo.

El desorden y una iluminación deficiente en las áreas de trabajo pueden provocar accidentes.

b. No utilice la herramienta eléctrica en un entorno con peligro de explosión, en el que se encuentren combustibles líquidos, gases o material en polvo.

Las herramientas eléctricas producen chispas que pueden llegar a inflamar los materiales en polvo o vapores.

c. Mantenga alejados a los niños y otras personas del área de trabajo al emplear la herramienta eléctrica.

Una distracción le puede hacer perder el control sobre la herramienta.

2. Seguridad eléctrica

a. El enchufe de la herramienta eléctrica debe corresponder a la toma de corriente utilizada. No es admisible modificar el enchufe en forma alguna. No emplee adaptadores en herramientas eléctricas dotadas con una toma de tierra.

Los enchufes sin modificar adecuados a las respectivas tomas de corriente reducen el riesgo de una descarga eléctrica.

b. Evite que su cuerpo toque partes conectadas a tierra como tuberías, radiadores, cocinas y refrigeradores.

El riesgo a quedar expuesto a una sacudida eléctrica es mayor si su cuerpo tiene contacto con tierra.

c. No exponga las herramientas eléctricas a la lluvia y evite que penetren líquidos en su interior. Existe el peligro de recibir una descarga eléctrica si penetran ciertos líquidos en la herramienta eléctrica.

d. Cuide el cable de alimentación. No utilice el cable de red para transportar o colgar la herramienta eléctrica, ni tire de él para sacar el enchufe de la toma de corriente. Mantenga el cable de red alejado del calor, aceite, bordes afilados o piezas móviles.

Los cables de red dañados o enredados pueden provocar una descarga eléctrica.

e. Al trabajar con la herramienta eléctrica en la intemperie utilice solamente cables de prolongación homologados para su uso en exteriores.

La utilización de un cable de prolongación adecuado para su uso en exteriores reduce el riesgo de una descarga eléctrica.

3. Seguridad personal

a. Esté atento a lo que hace y emplee la herramienta eléctrica con prudencia. No utilice la herramienta eléctrica si estuviese cansado, ni tampoco después de haber consumido alcohol, drogas o medicamentos.

El no estar atento durante el uso de una herramienta eléctrica puede provocar serias lesiones.

b. Utilice un equipo de protección y en todo caso unas gafas de protección.

El riesgo a lesionarse se reduce considerablemente si, dependiendo del tipo y la aplicación de la herramienta eléctrica empleada, se utiliza un equipo de protección adecuado como una mascarilla antipolvo, zapatos de seguridad con suela antideslizante, casco, o protectores auditivos.

c. Evite una puesta en marcha accidental de la herramienta. Compruebe que el interruptor esté en la posición de apagado antes de enchufar la herramienta.

Transportar la herramienta eléctrica con el dedo sobre el interruptor o enchufarla con el interruptor encendido puede provocar accidentes.

d. Retire las herramientas de ajuste o llaves fijas antes de conectar la herramienta eléctrica.

Una herramienta o llave colocada en una pieza giratoria puede producir lesiones al ponerse a funcionar.

e. Sea precavido. Mantenga un apoyo firme sobre el suelo y conserve el equilibrio en todo momento.

Ello le permitirá controlar mejor la herramienta eléctrica en caso de presentarse una situación inesperada.

f. Lleve puesta una vestimenta de trabajo adecuada. No lleve vestidos anchos ni joyas. Mantenga su pelo, vestimenta y guantes alejados de las piezas móviles.

La vestimenta suelta, las joyas y el pelo largo se pueden enganchar con las piezas en movimiento.

g. Siempre que sea posible utilizar unos equipos de aspiración o captación de polvo, asegúrese que éstos estén montados y que sean utilizados correctamente.

El empleo de estos equipos reduce los riesgos derivados del polvo.

4. Uso y cuidado de herramientas eléctricas

- a. **No sobrecargue la herramienta eléctrica. Use la herramienta eléctrica prevista para el trabajo a realizar.** Con la herramienta eléctrica adecuada podrá trabajar mejor y más seguro dentro del margen de potencia indicado.
- b. **No utilice herramientas eléctricas con un interruptor defectuoso.** Las herramientas eléctricas que no se puedan conectar o desconectar son peligrosas y deben hacerse reparar.
- c. **Saque el enchufe de la red antes de realizar un ajuste en la herramienta eléctrica, cambiar de accesorio o al guardar la herramienta.** Esta medida preventiva reduce el riesgo de conectar accidentalmente la herramienta eléctrica.
- d. **Guarde las herramientas eléctricas fuera del alcance de los niños y de las personas que no estén familiarizadas con su uso.** Las herramientas eléctricas utilizadas por personas inexpertas son peligrosas
- e. **Cuide sus herramientas eléctricas con esmero. Controle si funcionan correctamente, sin atascarse, las partes móviles de la herramienta eléctrica, y si existen partes rotas o deterioradas que pudieran afectar al funcionamiento de la herramienta. Si la herramienta eléctrica estuviese defectuosa haga que la reparen antes de volver a utilizarla.** Muchos de los accidentes se deben a herramientas eléctricas con un mantenimiento deficiente.
- f. **Mantenga las herramientas de corte limpias y afiladas.** Las herramientas de corte mantenidas correctamente se dejan guiar y controlar mejor.
- g. **Utilice herramientas eléctricas, accesorios, útiles de herramienta, etc. de acuerdo con estas instrucciones y en la manera indicada específicamente para esta herramienta eléctrica. Considere en ello las condiciones de trabajo y la tarea a realizar.** El uso de herramientas eléctricas para trabajos diferentes de aquellos para los que han sido concebidas puede resultar peligroso.

5. Uso y cuidado de herramientas con batería

- a. **Cerciórese de que el aparato esté desconectado antes introducir la batería.** No introduzca la batería en la herramienta con el interruptor encendido ya que puede provocar accidentes.
- b. **Recargue la batería únicamente con el cargador especificado por el fabricante.** Un cargador adecuado para un tipo de batería puede provocar un incendio si se utiliza con otra batería.
- c. **Use las herramientas únicamente con las baterías específicamente designadas.** El uso de cualquier otra batería puede provocar lesiones o un incendio.

d. **Cuando no utilice la batería, manténgala alejada de objetos metálicos como clips, monedas, llaves, clavos, tornillos, o cualquier otro objeto metálico pequeño que pueda dar lugar a una conexión entre los bornes.** El cortocircuito entre los bornes de la batería puede ocasionar quemaduras o un incendio.

e. **Un mal uso puede dar lugar a que la batería pierda líquido; evite cualquier contacto con el líquido. Si accidentalmente entra en contacto con el líquido, enjuáguese con agua. Si le entra líquido en los ojos, busque rápidamente asistencia médica.** El líquido que pierde la batería puede ocasionar irritación o quemaduras.

6. Servicio técnico

- a. **Haga reparar su herramienta eléctrica sólo por personal técnico autorizado que emplee exclusivamente piezas de repuesto originales.** Solamente así se garantiza la seguridad de la herramienta eléctrica.

Instrucciones de seguridad adicionales para baterías y cargadores

Baterías

- ◆ Nunca, por ningún motivo, trate de abrirla.
- ◆ No exponga la batería al agua.
- ◆ No las almacene en lugares donde la temperatura pueda superar los 40 °C.
- ◆ Cargue las baterías únicamente a temperaturas entre 4 °C y 40 °C.
- ◆ Recargue utilizando únicamente el cargador suministrado con la herramienta.
- ◆ Cuando deseche las baterías, siga las instrucciones indicadas en la sección "Protección del medio ambiente".
- ◆ Bajo condiciones extremas, la batería podría perder líquido. Si observa que la batería ha perdido líquido, proceda del modo siguiente:
 - Limpie cuidadosamente el líquido con un paño. Evite el contacto con la piel.
 - En caso de producirse contacto con la piel o los ojos, siga estas instrucciones.
- ◆ **¡Atención!** El líquido de la batería es una solución con un 25-30% de hidróxido de potasio, y puede resultar nocivo. En caso de que entre en contacto con la piel, lávese inmediatamente con agua. Neutralícelo con un ácido suave como zumo de limón o vinagre. En caso de contacto con los ojos, láveselos con abundante agua limpia durante, al menos, 10 minutos. Consulte a un médico.
- ◆ No arroje la batería al fuego.
- ◆ No intente cargar baterías en mal estado.

Cargadores

- ◆ Use el cargador Black & Decker únicamente para cargar baterías del tipo suministrado. Otras baterías podrían estallar, causando daños y lesiones personales.
- ◆ No intente nunca cargar baterías no recargables.
- ◆ Sustituya inmediatamente los cables defectuosos.
- ◆ No exponga el cargador al agua.
- ◆ No abra el cargador.
- ◆ No manipule el cargador.



El cargador está pensado únicamente para su uso en interiores.

Seguridad eléctrica



El cargador lleva un doble aislamiento; por lo tanto no requiere una toma a tierra. Compruebe siempre que la tensión de la red corresponda al valor indicado en la placa de características. No intente nunca sustituir el cargador por un enchufe normal a la red.

Características

Esta herramienta incluye alguna o todas las características siguientes.

1. Conmutador de velocidad variable
2. Guía de deslizamiento de avance/retroceso
3. Selector de modo/nivel de ajuste del par de apriete
4. Portabrocas
5. Selector de dos velocidades (CP122K/CP142K)
6. Indicador de carga de batería
7. Portapuntas
8. Batería

Fig. A

9. Cargador
10. Alojamiento del cargador
11. Indicador de carga
12. Indicador de carga completada

Montaje

¡Atención! Antes de proceder al montaje, extraiga siempre la batería.

Colocación y retirada de la batería (fig. B & C)

- ◆ Para introducir la batería (8), colóquela en línea con el alojamiento sobre la herramienta. Introduzca la batería en el alojamiento y empujela hasta que encaje en su sitio.
- ◆ Para quitar la batería, presione el botón liberador (13) al tiempo que extrae la batería de su alojamiento.

Instalación de la tapa de la batería (fig. C)

¡Advertencia! Instale la tapa (14) en la batería (8) para el transporte y almacenamiento.

Colocación y extracción de una broca o punta de atornillar (fig. D)

Esta herramienta lleva un portabrocas sin llave para facilitar el intercambio de brocas.

- ◆ Bloquee la herramienta colocando la guía de deslizamiento hacia adelante/atrás (2) en la posición central.
- ◆ Abra el portabrocas girando el casquillo (15) con una mano mientras sujeta la herramienta con la otra.
- ◆ Inserte el eje de la broca (16) en el portabrocas.
- ◆ Apriete firmemente el portabrocas girando el casquillo (15) con una mano mientras sujeta la herramienta con la otra.

Esta herramienta se suministra con una punta para atornillar doble dentro del portapuntas (7).

- ◆ Para extraer la punta del mango, levante la punta de la cavidad.
- ◆ Para colocar la punta, empujela firmemente dentro del mango.

Uso

¡Atención! Deje que la herramienta funcione a su ritmo. No lo sobrecargue.

¡Advertencia! Antes de taladrar paredes, suelos o techos, compruebe la ubicación de cableados y tuberías.

Carga de la batería (fig. A)

La batería debe cargarse antes de usarla por primera vez y siempre que no obtenga la suficiente potencia en trabajos que antes efectuaba con facilidad. Cuando cargue la batería por primera vez, o después de un prolongado almacenaje, sólo obtendrá una carga del 80%. Después de varios ciclos de carga y descarga, la batería alcanzará su capacidad máxima. Durante la carga, la batería podría calentarse; esto es normal y no indica ningún problema.

¡Atención! No cargue la batería a una temperatura ambiente inferior a 4 °C o superior a 40 °C. Temperatura recomendada de carga: aprox. 24 °C.

Uso del cargador de 3 horas

- ◆ Para cargar la batería (8), extráigala de la herramienta e inserte el alojamiento del cargador (10) en la batería.
- ◆ Enchufe el cargador (9).

La batería se calienta mientras se está cargando. Al cabo de unas 3 horas de carga, la batería estará lo suficientemente cargada para su uso en aplicaciones normales. Después de aproximadamente 6 horas de carga, la batería estará totalmente cargada.

- ◆ Extraiga el alojamiento del cargador de la batería.

Utilización del cargador de 1 hora

- ◆ Para cargar la batería (8), extráigala de la herramienta e insérta en el cargador (9). La batería encajará en el cargador sólo en un sentido. No la fuerce. Compruebe que la batería está totalmente insertada en el cargador.
- ◆ Enchufe el cargador.
- ◆ Compruebe que el indicador rojo de carga (11) esté encendido. Si en su lugar se enciende el indicador verde de carga (12), entonces la batería está demasiado caliente y no puede cargarse. Si ocurre esto, extraiga la batería del cargador, deje que se enfríe durante 1 hora aproximadamente y vuelva a insertarla.

Después de 1 hora aproximada de carga, el indicador rojo (11) se apagará y se encenderá el indicador verde (12). Entonces la batería estará totalmente cargada.

- ◆ Extraiga la batería del cargador.

Comprobación del estado de la batería (fig. E)

Esta herramienta lleva un indicador de carga de batería que le permite comprobar el estado de la misma.

- ◆ Pulse el botón (17) y manténgalo presionado.
- ◆ Observe cuántas luces (18) están encendidas.

Carga de la batería

1 luz	baja
2 luces	media
3 luces	alta


Selección de la dirección de rotación (fig. F)

Para taladrar y apretar tornillos, use la rotación hacia adelante (en el sentido de las agujas del reloj). Para aflojar tornillos o para extraer una broca atascada, use la rotación inversa (en sentido contrario a las agujas del reloj).

- ◆ Para seleccionar la rotación directa, empuje la guía de deslizamiento de avance/retroceso (2) hacia la izquierda.
- ◆ Para seleccionar la rotación inversa, empuje la guía de deslizamiento de avance/retroceso hacia la derecha.
- ◆ Para bloquear la herramienta, coloque la guía de deslizamiento de avance/retroceso en la posición central.

Selección del modo de funcionamiento o del par de torsión (fig. G)


Esta herramienta lleva acoplado un collarín para seleccionar el modo de funcionamiento o para ajustar el par de apriete de los tornillos. Los tornillos grandes y el material duro de las piezas a trabajar requieren un ajuste de par de apriete mayor que los tornillos pequeños y el material blando de las piezas de trabajo. El collarín dispone de una amplia gama de ajustes que se acoplan a sus necesidades.

- ◆ Para taladrar madera, metal y plásticos, coloque el collarín (3) en la posición de taladrado alineando el símbolo  con la marca (19).
- ◆ Para atornillar, coloque el collarín en el valor deseado.

Si todavía no sabe cuál es el valor apropiado, proceda del modo siguiente:

- ◆ Ponga el collarín (3) en el ajuste de par de apriete más bajo.
- ◆ Apriete el primer tornillo.
- ◆ Si la broca patina y hace ruido antes de lograr el resultado deseado, aumente el valor del collarín y continúe apretando el tornillo. Repita el procedimiento hasta que alcance el ajuste correcto. Utilice dicho ajuste para los tornillos restantes.

CP122K/CP142K - Perforación en mampostería (fig. G & H)

- ◆ Para taladrar mampostería, coloque el collarín (3) en la posición de taladrado a martillo alineando el símbolo  con la marca (19).
- ◆ Deslice el selector de dos marchas (5) hacia la parte frontal de la herramienta (2ª marcha).

CP122K/CP142K - Selector de dos velocidades (fig. H)

- ◆ Para taladrar acero y para trabajos de atornillar, deslice el selector de dos marchas (5) hacia la parte posterior de la herramienta (1ª marcha).
- ◆ Para taladrar materiales que no sean de acero, deslice el selector de dos marchas (5) hacia la parte delantera de la herramienta (2ª marcha).

Taladrado/atornillado (fig. A)

- ◆ Seleccione la rotación directa o inversa usando la guía de deslizamiento de avance/retroceso (2).
- ◆ Para encender la herramienta, presione el interruptor (1). La velocidad de la herramienta dependerá de hasta dónde presione el interruptor.
- ◆ Para apagar la herramienta, suelte el interruptor.

Consejos para un uso óptimo

Taladrado

- ◆ Aplique siempre una suave presión en línea recta con la broca.
- ◆ Justo antes de que la punta de la broca atraviese la pieza de trabajo, disminuya la presión sobre la herramienta.
- ◆ Use un bloque de madera como soporte de piezas de trabajo que puedan astillarse.
- ◆ Use brocas de pala para taladrar agujeros de gran diámetro en madera.
- ◆ Use brocas de acero rápido para taladrar metal.
- ◆ Use brocas de mampostería para taladrar mampostería blanda.
- ◆ Use un lubricante para taladrar metales distintos del hierro fundido y el latón.
- ◆ Haga una marca con un punzón de perforar en el centro del agujero que desea taladrar para mayor precisión.

Atornillado

- ◆ Use siempre el tipo y el tamaño adecuado de punta.
- ◆ Si le resulta difícil apretar los tornillos, intente aplicar una pequeña cantidad de jabón o líquido jabonoso como lubricante.
- ◆ Sujete siempre la herramienta y la punta en línea recta con el tornillo.

Mantenimiento

Su herramienta Black & Decker está diseñada para que funcione durante un largo período de tiempo con un mantenimiento mínimo. El funcionamiento satisfactorio continuado depende de un cuidado apropiado y una limpieza periódica de la herramienta.

Su cargador no requiere ningún mantenimiento aparte de una limpieza periódica.

¡Atención! Antes de efectuar cualquier mantenimiento en la herramienta, retire la batería de la herramienta. Desenchufe el cargador antes de limpiarlo.

- ◆ Limpie periódicamente las ranuras de ventilación de la herramienta y del cargador con un cepillo suave o un paño seco.
- ◆ Limpie periódicamente la carcasa del motor con un paño húmedo. No utilice ninguna sustancia limpiadora abrasiva o que contenga disolventes.
- ◆ Abra periódicamente el portabrocas y golpéelo suavemente para extraer el polvo del interior.

Protección del medio ambiente



Separación de desechos. Este producto no debe desecharse con la basura doméstica normal.

Si llega el momento de reemplazar su producto Black & Decker o éste ha dejado de tener utilidad para usted, no lo deseche con la basura doméstica normal. Asegúrese de que este producto se deseche por separado.



La separación de desechos de productos usados y embalajes permite que los materiales puedan reciclarse y reutilizarse. La reutilización de materiales reciclados ayuda a evitar la contaminación medioambiental y reduce la demanda de materias primas.

La normativa local puede prever la separación de desechos de productos eléctricos de uso doméstico en centros municipales de recogida de desechos o a través del distribuidor cuando adquiera un nuevo producto.

Black & Decker proporciona facilidades para la recogida y el reciclado de los productos Black & Decker que hayan llegado al final de su vida útil. Para hacer uso de este servicio, devuelva su producto a cualquier servicio técnico autorizado, que lo recogerá en nuestro nombre.

Pueden consultar la dirección de su servicio técnico más cercano poniéndose en contacto con la oficina local de Black & Decker en la dirección que se indica en este manual. Como alternativa, puede consultar en Internet la lista de servicios técnicos autorizados e información completa de nuestros servicios de posventa y contactos en la siguiente dirección:

www.2helpU.com

Baterías



Las baterías Black & Decker pueden recargarse muchas veces. Cuando se agoten, deséchelas respetando las normas de protección del entorno:

- ◆ Utilice la batería hasta que se agote por completo y luego retírela de la herramienta.
- ◆ Las baterías NiCd y NiMH son reciclables. Llévelas a cualquier servicio técnico autorizado o a un centro de reciclado.

Cargador		3 horas	1 horas
Tensión de la red	V _{AC}	230	230
Tiempo aproximado de carga	h	3	1

Características técnicas

		CP12	CP122	CP14	CP142
Voltaje	V _{DC}	12	12	14,4	14,4
Velocidad sin carga	min ⁻¹	0-700	0-400/0-1300	0-750	0-400/0-1300
Par de torsión máximo	Nm	16	20	17	21
Capacidad del portabrocas	mm	10	10	10	10
Máxima capacidad de taladrado de acero/madera	mm	10	10	10	10
Cat. no. batería		A12	A12	A14	A14
Capacidad	Ah	1,5	1,5	1,5	1,5
Peso	kg	1,7	1,8	1,7	1,8

Declaración de conformidad CE

CP12/CP122/CP14/CP142

Black & Decker declara que estos productos cumplen las normas siguientes:

EN 50260, EN 55014, EN 60335, EN 61000

L_{pA} (presión acústica) 68 dB(A), L_{WA} (potencia acústica) 79 dB(A), vibraciones soportadas en mano/brazo < 2,5 m/s²

K_{pA} (incertidumbre de presión acústica) 3 dB(A),

K_{WA} (incertidumbre de potencia acústica) 3 dB(A)



Kevin Hewitt

Director de Ingeniería del Consumidor
Spennymoor, County Durham DL16 6JG,

Reino Unido

1-5-2005

Para reclamar en garantía, será necesario que presente la prueba de compra al vendedor o al servicio técnico de reparaciones autorizado. Pueden consultar la dirección de su servicio técnico más cercano poniéndose en contacto con la oficina local de Black & Decker en la dirección que se indica en este manual. Como alternativa, se puede consultar en Internet, en la dirección siguiente, la lista de servicios técnicos autorizados e información completa de nuestros servicios de postventa y contactos:

www.2helpU.com

Visite nuestro sitio web **www.blackanddecker.com** para registrar su nuevo producto Black & Decker y mantenerse al día sobre nuestros productos y ofertas especiales. Encontrará información adicional sobre la marca Black & Decker y nuestra gama de productos en **www.blackanddecker.com**

Garantía

Black & Decker confía plenamente en la calidad de sus productos y ofrece una garantía extraordinaria. Esta declaración de garantía es una añadida, y en ningún caso un perjuicio para sus derechos estatutarios. La garantía es válida dentro de los territorios de los Estados Miembros de la Unión Europea y de los de la Zona Europea de Libre Comercio.

Si un producto Black & Decker resultará defectuoso debido a materiales o mano de obra defectuosos o a la falta de conformidad, Black & Decker garantiza, dentro de los 24 meses de la fecha de compra, la sustitución de las piezas defectuosas, la reparación de los productos sujetos a un desgaste y rotura razonables o la sustitución de tales productos para garantizar al cliente el mínimo de inconvenientes, a menos que:

- ◆ El producto haya sido utilizado con propósitos comerciales, profesionales o de alquiler;
- ◆ El producto haya sido sometido a un uso inadecuado o negligente;
- ◆ El producto haya sufrido daños causados por objetos o sustancias extrañas o accidentes;
- ◆ Se hayan realizado reparaciones por parte de personas que no sean los servicios de reparación autorizados o personal de servicios de Black & Decker;

Utilização

O berbequim/aparafusador CP12K/CP14K da Black & Decker foi projectado para aparafusar e furar madeira, metal e plástico. O berbequim/aparafusador CP122K/CP142K da Black & Decker foi projectado para aparafusar e perfurar madeira, metal, plástico e alvenaria. Esta ferramenta destina-se apenas ao doméstico.

Regras gerais de segurança

Advertência! Leia todas as instruções. O não cumprimento das instruções a seguir podem causar choque eléctrico, incêndio e/ou graves lesões. O termo “ferramenta eléctrica” utilizado a seguir refere-se a ferramentas eléctricas com ligação à corrente eléctrica (com fios) ou operadas a bateria (sem fios). **GUARDE BEM ESTAS INSTRUÇÕES.**

1. Área de trabalho

- a. **Mantenha a sua área de trabalho limpa e arrumada.** Desordem e áreas de trabalho com fraca iluminação podem causar acidentes.
- b. **Não trabalhar com a ferramenta eléctrica em áreas com risco de explosão, nas quais se encontrem líquidos, gases ou pó inflamáveis.** Ferramentas eléctricas produzem faíscas que podem provocar a ignição de pó e vapores.
- c. **Mantenha crianças e outras pessoas afastadas da ferramenta eléctrica durante o trabalho com a ferramenta.** Distrações podem causar a falta de controlo sobre o aparelho.

2. Segurança eléctrica

- a. **A ficha da ferramenta eléctrica deve caber na tomada. A ficha não deve ser modificada de modo algum. Não utilize quaisquer fichas de adaptação junto com ferramentas eléctricas ligadas à terra.** Fichas sem modificações e tomadas adequadas reduzem o risco de choques eléctricos.
- b. **Evite que o corpo entre em contacto com superfícies ligadas à terra, como por exemplo tubos, radiadores, fogões e frigoríficos.** Há um risco elevado de choques eléctricos, caso o corpo seja ligado à terra.
- c. **A ferramenta eléctrica não deve ser exposta à chuva nem humidade.** A penetração de água na ferramenta eléctrica aumenta o risco de choques eléctricos.
- d. **Manuseie o fio com cuidado. O cabo da ferramenta não deve ser utilizado para o transporte, para pendurar a ferramenta, nem para puxar a ficha da tomada. Mantenha o cabo afastado de calor, óleo, cantos afiados ou partes em movimento da ferramenta.** Cabos danificados ou torcidos aumentam o risco de choques eléctricos.

- e. **Ao trabalhar com a ferramenta eléctrica ao ar livre, use um cabo de extensão apropriado para áreas externas.** O uso de um cabo apropriado para áreas externas reduz o risco de choques eléctricos.

3. Segurança pessoal

- a. **Esteja alerta, observe o que está a fazer, e tenha prudência ao trabalhar com a ferramenta eléctrica. Não use a ferramenta eléctrica se estiver cansado ou sob a influência de drogas, álcool ou medicamentos.** Um momento de falta de atenção durante a operação da ferramenta eléctrica pode causar graves lesões.
 - b. **Usar um equipamento pessoal de protecção. Utilizar sempre óculos de protecção.** Equipamento de segurança, como por exemplo, máscara de protecção contra pó, sapatos de segurança anti-derrapantes, capacete de segurança ou protecção auricular, de acordo com o tipo e aplicação da ferramenta eléctrica, reduz o risco de lesões.
 - c. **Evite um accionamento involuntário. Assegure-se de que o interruptor está na posição de desligado antes de ligar.** O transporte de ferramentas eléctricas com o dedo no interruptor ou a ligação das mesmas que tenham o interruptor ligado provoca acidentes.
 - d. **Remover chaves de ajustes ou chaves de fenda, antes de ligar a ferramenta eléctrica.** Uma chave de fenda ou chave de ajuste que se encontre numa parte móvel da ferramenta, pode levar a lesões.
 - e. **Não se sobrestime. Mantenha-se sempre bem posicionado e em equilíbrio.** Desta forma poderá ser mais fácil controlar a ferramenta em situações inesperadas.
 - f. **Use vestuário apropriado. Não use roupa larga ou jóias. Mantenha o cabelo, roupa e luvas afastadas de partes em movimento.** Roupas largas, jóias ou cabelos longos podem ser agarradas por partes em movimento.
 - g. **Se for prevista a montagem de dispositivos de aspiração de pó e de dispositivos de recolha, assegure-se de que estão ligados e que são utilizados de forma correcta.** A utilização destes dispositivos reduz os riscos provocados por pó.
- ### 4. Utilização e manutenção da ferramenta eléctrica
- a. **Não sobrecarregue a ferramenta eléctrica. Use para o seu trabalho a ferramenta eléctrica correcta.** A ferramenta correcta realizará o trabalho de forma melhor e mais segura dentro da potência indicada.
 - b. **Não utilize a ferramenta eléctrica se o interruptor não puder ser ligado nem desligado.** Qualquer ferramenta eléctrica que não possa ser controlada através do interruptor de ligar-desligar é perigosa e deve ser reparada.

c. Desligue a ficha da tomada antes de efectuar ajustes na ferramenta, substituir acessórios ou armazenar a ferramenta eléctrica. Esta medida de segurança evita que a ferramenta eléctrica seja ligada acidentalmente.

d. Mantenha as ferramentas eléctricas que não estiverem a ser utilizadas fora do alcance de crianças. Não permita que a ferramenta seja utilizada por pessoas não familiarizadas com a mesma ou que não tenham lido estas instruções.

As ferramentas eléctricas são perigosas se utilizadas por pessoas não qualificadas.

e. Trate a sua ferramenta eléctrica com cuidado. Verifique se as partes móveis da ferramenta funcionam perfeitamente e não emperram, se há peças quebradas ou danificadas, que possam influenciar o funcionamento da ferramenta. As peças danificadas devem ser reparadas antes da utilização da ferramenta. Muitos acidentes têm como causa uma manutenção insuficiente das ferramentas eléctricas.

f. Mantenha as ferramentas de corte sempre afiadas e limpas. Ferramentas de cortes devidamente tratadas, com cantos afiados travam com menos frequência e podem ser controladas com maior facilidade.

g. Use a ferramenta eléctrica, os acessórios e as brocas da ferramenta etc., de acordo com estas instruções e da maneira determinada para este tipo especial de ferramenta eléctrica. Considere também as condições de trabalho e o trabalho a ser efectuado.

A utilização da ferramenta eléctrica para outros fins que os previstos pode resultar em situações perigosas.

5. Utilização e manutenção da bateria

a. Assegure-se de que o interruptor está na posição de desligado antes de introduzir a ficha na tomada.

A colocação da bateria nas ferramentas eléctricas com o interruptor ligado pode causar acidentes.

b. Recarregue apenas com o carregador especificado pelo fabricante. Um carregador que seja adequado a um tipo de bateria pode causar o risco de incêndio quando utilizado noutro tipo de bateria.

c. Utilize as ferramentas eléctricas apenas com as baterias especificamente designadas. A utilização de outro tipo de bateria pode causar o risco de lesões ou incêndio.

d. Quando a bateria não está a ser utilizada, mantenha-a afastada de quaisquer outros objectos metálicos, como clips de papel, moedas, chaves, pregos, parafusos ou outros objectos metálicos pequenos que possam efectuar a ligação de um terminal para outro. O contacto de ambos os terminais da bateria pode causar queimaduras ou incêndio.

e. Em condições abusivas, o líquido pode ser ejectado da bateria; evite o contacto. Caso isso aconteça, passe por água. Caso o líquido entre em contacto com os olhos, procure ajuda médica. O líquido ejectado da bateria pode causar irritação ou queimaduras.

6. Reparação

a. A sua ferramenta eléctrica só deve ser reparada por pessoal qualificado e só devem ser colocadas peças sobressalentes originais. Desta forma é assegurada a segurança da ferramenta eléctrica.

Instruções adicionais de segurança para baterias e carregadores

Baterias

- ◆ Nunca tente abrir a bateria seja qual for a razão.
- ◆ Não deixe que a bateria entre em contacto com a água.
- ◆ Não armazene em locais onde a temperatura possa exceder 40 °C.
- ◆ Carregue somente à temperatura ambiente entre 4 °C e 40 °C.
- ◆ Carregue somente utilizando o carregador fornecido com a ferramenta.
- ◆ Quando se desfizer das baterias, siga as instruções fornecidas na secção “Protecção do meio ambiente”.
- ◆ Sob condições extremas, é possível que a bateria apresente corrosão. Quando notar que há líquido na bateria, proceda da seguinte maneira:
 - Limpe o líquido cuidadosamente utilizando um pano. Evite o contacto com a pele.
 - Em caso de contacto com a pele ou com os olhos, siga as instruções abaixo.
- ◆ **Advertência!** O líquido da bateria, uma solução de hidróxido de potássio de 25-30%, pode ser nocivo. Em caso de contacto com a pele, lave imediatamente com água. Neutralize com um ácido suave, como sumo de limão ou vinagre. Em caso de contacto com os olhos, enxágue abundantemente com água limpa durante 10 minutos. Consulte um médico.
- ◆ Não exponha a bateria ao fogo.
- ◆ Não tente carregar baterias danificadas.

Carregadores

- ◆ Utilize seu carregador Black & Decker somente para carregar as baterias do tipo fornecido com sua ferramenta. Outras baterias poderiam explodir causando danos pessoais e estragos.
- ◆ Nunca tente carregar baterias não recarregáveis.
- ◆ Substitua os cabos defeituosos imediatamente.
- ◆ Não deixe que o carregador entre em contacto com a água.
- ◆ Não abra o carregador.
- ◆ Não submeta o carregador a testes.



O carregador destina-se apenas ao uso doméstico.

Segurança eléctrica



O seu carregador está duplamente isolado, pelo que não é necessário fio de terra. Verifique sempre se a tensão eléctrica corresponde à indicada na placa de especificação eléctrica. Nunca tente substituir o carregador por uma tomada normal.

Características

Esta ferramenta inclui algumas ou todas as seguintes características.

1. Interruptor de velocidade variável
2. Selector de reversibilidade
3. Selector de modo / anel de ajuste de par de torção
4. Bucha
5. Selector de duas velocidades (CP122K/CP142K)
6. Indicador de carga da bateria
7. Suporte de pontas
8. Bateria

Fig. A

9. Carregador
10. Receptáculo do carregador
11. Indicador de carga
12. Indicador de carga completa

Montagem

Advertência! Antes da montagem, retire a bateria.

Colocação e remoção da bateria (fig. B & C)

- ◆ Para colocar a bateria (8), alinhe-a com o respectivo receptáculo na ferramenta. Empurre a bateria em direcção ao respectivo receptáculo até encaixar.
- ◆ Para retirá-la, prima o botão de libertação (13) e puxe a bateria para fora do respectivo receptáculo.

Instalação da cobertura da bateria (fig. C)

Advertência! Coloque a cobertura (14) na bateria (8) para transporte e armazenamento.

Colocação e remoção de uma broca ou ponta de aparafusar (fig. D)

A ferramenta está equipada com uma bucha sem chave para permitir a troca fácil das brocas.

- ◆ Trave a ferramenta colocando o selector de reversibilidade (2) na posição central.
- ◆ Abra a bucha, girando a manga (15) com uma mão enquanto segura a ferramenta com a outra.
- ◆ Introduza a broca (16) na bucha.
- ◆ Aperte firmemente a bucha, girando a manga (15) com uma mão enquanto segura a ferramenta com a outra.

Esta ferramenta é fornecida com uma ponta de aparafusar dupla no suporte de pontas (7).

- ◆ Para remover a ponta de aparafusar do compartimento de broca, puxe-a.
- ◆ Para guardar a ponta de aparafusar, empurre-a firmemente no compartimento.

Utilização

Advertência! Deixe que a ferramenta funcione à vontade. Não o sobrecarregue.

Advertência! Antes de furar paredes, pisos ou tectos, verifique a localização de fios e canos.

Carregar a bateria (fig. A)

A bateria precisa ser carregada antes da primeira utilização e sempre que falhe em produzir potência suficiente para realizar trabalhos que antes eram facilmente realizados. Quando estiver a carregar a bateria pela primeira vez, ou após armazenamento prolongado, ela aceitará somente 80% da carga. Após vários ciclos de carga e descarga, a bateria atingirá sua capacidade total. A bateria pode ficar quente enquanto estiver a carregar; isto é normal e não indica um problema.

Advertência! Não carregue a bateria a temperaturas ambientes inferiores a 4 °C ou superiores a 40 °C.

A temperatura recomendada para carregar é de aproximadamente 24 °C.

Utilização do carregador de 3 h

- ◆ Para carregar a bateria (8), remova-a da ferramenta e insira-a no receptáculo do carregador (10) na bateria.
- ◆ Ligue o carregador (9).

A bateria aquece durante o processo de carga. Após 3 horas de carregamento, a bateria deverá estar recarregada e pronta a utilizar nas suas aplicações regulares. Após aproximadamente 6 horas de carga, a bateria estará completamente carregada.

- ◆ Retire o receptáculo do carregador da bateria.

Utilização do carregador de 1 h

- ◆ Para carregar a bateria (8), remova-a da ferramenta e insira-a no carregador (9). A bateria só encaixará no carregador de um modo. Não force. Esteja seguro de que a bateria está completamente encaixada no carregador.
- ◆ Ligue o carregador à corrente eléctrica.
- ◆ Verifique se o indicador vermelho de carregamento (11) acende. Se, em vez disso, o indicador verde de fim de carregamento (12) se acender, a bateria está muito quente e não pode ser carregada. Se isso acontecer, remova a bateria do carregador, deixe-a arrefecer durante, aproximadamente, 1 hora e insira-a de novo.

Depois de, aproximadamente, 1 hora de carregamento, o indicador vermelho de carga (11) apagar-se-á e o indicador verde de final de carregamento (12) acenderá. A bateria estará então completamente carregada.

- ◆ Retire a bateria do carregador.

Verificação do estado da bateria (fig. E)

Esta ferramenta está equipada com um indicador de carga da bateria, que permite que se verifique o estado da mesma.

- ◆ Prima e segure o botão (17).
- ◆ Verifique quantas luzes se acendem (18):

	Carga da bateria
1 luz	baixa
2 luzes	média
3 luzes	alta


Seleção da direcção de rotação (fig. F)

Para perfurar e apertar parafusos, utilize a rotação “avançar” (sentido dos ponteiros do relógio). Para soltar parafusos ou remover uma broca presa, utilize a rotação “inverter” (sentido anti-horário).

- ◆ Para seleccionar a rotação de avanço, empurre o selector de reversibilidade (2) para a esquerda.
- ◆ Para seleccionar a rotação inversa, empurre o selector para a direita.
- ◆ Para travar a ferramenta, coloque o selector na posição central.


Seleção do modo de operação ou par de aperto (fig. G)

Esta ferramenta está equipada com um anel de ajuste do par de aperto para apertar parafusos. Parafusos grandes e materiais duros requerem um par maior que parafusos pequenos e materiais mais moles. O anel dispõe de uma ampla variedade de ajustes com o fim de que a ferramenta se adapte a cada aplicação.

- ◆ Para perfurar madeira, metal e plástico, ajuste o anel (3) à posição de perfuração alinhando o símbolo  com a marca (19).

- ◆ Para aparafusar, ajuste o anel à posição desejada. Se não souber qual é a posição apropriada, proceda da seguinte maneira:
 - ◆ Ajuste o anel (3) ao menor par de aperto.
 - ◆ Aperte o primeiro parafuso.
 - ◆ Se a bucha breca antes que o resultado seja conseguido, aumente o ajuste e continue a apertar o parafuso. Repita esta operação até atingir o ajuste correcto. Utilize este ajuste para o resto dos parafusos.

CP122K/CP142K - Perfuração em alvenaria (fig. G & H)

- ◆ Para perfurar em alvenaria, ajuste o anel (3) à posição de perfuração de impacto alinhando o símbolo  com a marca (19).
- ◆ Empurre o selector de motor duplo (5) em direcção à parte frontal da ferramenta (segundo motor).

CP122K/CP142K - Selector de duas velocidades (fig. H)

- ◆ Para perfurar em aço e aparafusar, empurre o selector de motor duplo (5) em direcção à parte traseira da ferramenta (primeiro motor).
- ◆ Para perfurar em aço e aparafusar, empurre o selector de motor duplo (5) em direcção à parte frontal da ferramenta (segundo motor).

Furar/aparafusar (fig. A)

- ◆ Selecciona rotação de avanço ou recuo utilizando o selector de reversibilidade (2).
- ◆ Para ligar a ferramenta, prima o interruptor (1). A velocidade da ferramenta depende de quanto se pressiona o interruptor.
- ◆ Para desligar a ferramenta, solte o interruptor.

Sugestões para uma melhor utilização

Perfurar

- ◆ Aplique sempre uma leve pressão em linha recta com a broca.
- ◆ Um pouco antes de a broca atravessar a peça de trabalho, diminua a pressão sobre a ferramenta.
- ◆ Utilize uma peça de madeira como suporte para peças de trabalho que possam lascar.
- ◆ Utilize brocas puas quando perfurar orifícios de grande diâmetro em madeira.
- ◆ Utilize brocas de alta dureza quando perfurar em metal.
- ◆ Utilize brocas de pedra quando perfurar em alvenaria.
- ◆ Utilize um lubrificante quando perfurar em metais que não sejam ferro fundido e latão.
- ◆ Para um furo mais preciso, marque o centro do furo a executar utilizando um furador.

Aparafusar e desaparafusar

- ◆ Utilize sempre o tipo e tamanho correcto de ponta de aparafusar.
- ◆ Se os parafusos forem difíceis de apertar, tente aplicar uma pequena quantidade de detergente ou sabão como lubrificante.
- ◆ Segure sempre a ferramenta e a ponta de aparafusar em linha recta com o parafuso.



A recolha em separado de produtos e embalagens utilizados permite que os materiais sejam reciclados e reutilizados. A reutilização de materiais reciclados ajuda a evitar a poluição ambiental e a reduzir a procura de matérias-primas.

Manutenção

Esta ferramenta Black & Decker foi desenvolvida para funcionar por um longo período, com um mínimo de manutenção. O funcionamento contínuo e satisfatório depende da limpeza regular e cuidado adequado da ferramenta. O seu carregador não requer qualquer manutenção além de sua limpeza regular.

Advertência! Antes de executar qualquer manutenção na ferramenta, remova a bateria da ferramenta. Desligue o carregador de bateria antes de limpar o aparelho.

- ◆ Limpe regularmente as fendas de ventilação na ferramenta e no carregador utilizando uma escova macia ou pano seco.
- ◆ Limpe regularmente o compartimento do motor utilizando um pano húmido. Não utilize nenhum limpador abrasivo ou de base solvente.
- ◆ Abra regularmente o mandril e bata nele para remover qualquer poeira do interior.

Protecção do meio ambiente



Recolha em separado. Não deve deitar este produto fora juntamente com o lixo doméstico normal.

Caso chegue o momento em que um dos seus produtos Black & Decker precise de ser substituído ou decida desfazer-se do mesmo, não o deite fora juntamente com o lixo doméstico. Torne este produto disponível para uma recolha em separado.

Os regulamentos locais poderão providenciar a recolha em separado de produtos eléctricos junto das casas, em lixeiras municipais ou junto dos fornecedores ao adquirir um novo produto.

A Black & Decker oferece um serviço de recolha e reciclagem de produtos Black & Decker que tenha atingido o fim das suas vidas úteis. Para tirar proveito deste serviço, devolva seu produto a qualquer agente de reparação autorizado, que se encarregará de recolher o equipamento em nosso nome.

Para verificar a localização do agente de reparação mais próximo de si, contacte o escritório local da Black & Decker no endereço indicado neste manual. Se preferir, consulte a lista de agentes autorizados da Black & Decker e os dados completos dos nossos serviços de atendimento pós-venda na Internet no endereço: www.2helpU.com

Baterias



As baterias Black & Decker podem ser recarregadas inúmeras vezes. Quando atingirem o fim das suas vidas úteis, deite-as fora com o devido cuidado com o nosso meio ambiente.

- ◆ Descarregue completamente a bateria e remova-a do aparelho.
- ◆ As baterias NiCd e NiMH são recicláveis. Entregue-as em qualquer agente de reparação autorizado ou numa estação de reciclagem local.

Carregador	3 h	1 h
Voltagem	V _{AC} 230	230
Tempo aproximado de carregamento	h 3	1

Dados técnicos

	CP12	CP122	CP14	CP142
Voltagem	V _{DC} 12	12	14,4	14,4
Velocidade sem carga	min ⁻¹ 0-700	0-400/0-1300	0-750	0-400/0-1300
Par máx.	Nm 16	20	17	21
Capacidade da bucha	mm 10	10	10	10
Capacidade máx. de perfuração em aço/madeira/alvenaria	mm 10	10	10	10
Cat. no. bateria	A12	A12	A14	A14
Capacidade	Ah 1,5	1,5	1,5	1,5
Peso	kg 1,7	1,8	1,7	1,8

Declaração de conformidade CE

CP12/CP122/CP14/CP142

A Black & Decker declara que estes produtos estão em conformidade com a:

EN 50260, EN 55014, EN 60335, EN 61000

L_{pA} (pressão acústica) 68 dB(A), L_{WA} (potência acústica) 79 dB(A), vibração medida da mão/braço de < 2,5 m/s²

K_{pA} (imprecisão da pressão acústica) 3 dB(A),

K_{WA} (imprecisão da potência acústica) 3 dB(A)



Kevin Hewitt

Director de Engenharia do Consumo
Spennymoor, County Durham DL16 6JG,

Reino Unido

1-5-2005

Garantia

A Black & Decker confia na qualidade de seus produtos e oferece um programa de garantia excelente. Esta declaração de garantia soma-se aos seus direitos legais e não os prejudica em nenhum aspecto. A garantia será válida nos territórios dos Estados Membros da União Europeia e na Área de Livre Comércio da Europa.

Caso algum produto da Black & Decker apresente avarias devido a defeitos de material, mão-de-obra ou ausência de conformidade no prazo de 24 meses a partir da data de compra, a Black & Decker garantirá a substituição das peças defeituosas, a reparação dos produtos que foram submetidos a uso adequado e remoção ou substituição dos mesmos para assegurar o mínimo de inconvenientes ao cliente a menos que:

- ◆ O produto tenha sido utilizado para fins comerciais, profissionais ou aluguer;
- ◆ O produto tenha sido submetido a uso incorrecto ou descuido;
- ◆ O produto tenha sofrido danos causados por objectos estranhos, substâncias ou acidentes;
- ◆ Tenha um histórico de reparações efectuadas por terceiros que não sejam os agentes autorizados ou profissionais de manutenção da Black & Decker.

Para activar a garantia, será necessário enviar a prova de compra ao revendedor ou agente de reparação autorizado. Para verificar a localização do agente de reparação mais próximo de si contacte o escritório local da Black & Decker no endereço indicado neste manual. Se preferir, consulte a lista de agentes autorizados da Black & Decker e os dados completos de nossos serviços de atendimento pós-venda na Internet no endereço: **www.2helpU.com**

Visite o nosso website **www.blackanddecker.com** para registar o seu novo produto Black & Decker e para se manter actualizado sobre novos produtos e ofertas especiais. Estão disponíveis mais informações sobre a Black & Decker e sobre a nossa gama de produtos em **www.blackanddecker.com**

Användningsområde

Din bormaskin/skruvdragare CP12K/CP14K från Black & Decker kan användas till skruvdragning och bormning i trä, metall och plast.

Din bormaskin/skruvdragare CP122K/CP142K från Black & Decker kan användas till skruvdragning och för bormning i trä, metall, plast och mjukare byggnadssten.

Verktyget är endast avsett som konsumentverktyg.

Allmänna säkerhetsregler

Varning! Samtliga anvisningar ska läsas. Fel som uppstår till följd av att anvisningarna nedan inte följts kan orsaka elchock, brand och/eller allvarliga kroppsskador. Nedan använt begrepp "Elverktyg" hänför sig till nätdrivna elverktyg (med nätsladd) och till batteridrivna elverktyg (sladdlösa). TA VÅL VARA PÅ SÄKERHETSANVISNINGARNA.

1. Arbetsområde

- Håll arbetsplatsen ren och välbelyst.** Oordning på arbetsplatsen och dåligt belyst arbetsområde kan leda till olyckor.
- Använd inte elverktyget i explosionsfarlig omgivning med brännbara vätskor, gaser eller damm.** Elverktygen alstrar gnistor som kan antända dammet eller gaserna.
- Håll under arbetet med elverktyget barn och obehöriga personer på betryggande avstånd.** Om du störs av obehöriga personer kan du förlora kontrollen över elverktyget.

2. Elektrisk säkerhet

- Elverktygets stickpropp måste passa till vägguttaget. Stickproppen får absolut inte förändras. Använd inte adapterkontakter tillsammans med skyddsjordade elverktyg.** Oförändrade stickproppar och passande vägguttag reducerar risken för elchock.
- Undvik kroppskontakt med jordade ytor som t. ex. rör, värmeelement, spisar och kylskåp.** Det finns en större risk för elchock om din kropp är jordad.
- Skydda elverktyget mot regn och väta.** Tränger vatten in i ett elverktyg ökar risken för elchock.
- Misshandla inte nätsladden. Använd inte sladden för att bära eller hänga upp elverktyget och inte heller för att dra stickproppen ur vägguttaget. Håll nätsladden på avstånd från värme, olja, skarpa kanter och rörliga maskindelar.** Skadade eller tilltrasslade sladdar ökar risken för elchock.
- Använd när du arbetar med ett elverktyg utomhus endast förlängningssladdar som är godkända för utomhusbruk.** Om en avsedd förlängningssladd för utomhusbruk används minskar risken för elchock.

3. Personlig säkerhet

- Var uppmärksam, se på vad du gör och använd elverktyget med förnuft. Använd inte elverktyget när du är trött eller om du är påverkad av droger, alkohol eller mediciner.** Under användning av elverktyg kan även en kort ouppmärksamhet leda till allvarliga kroppsskador.
 - Använd personlig skyddsutrustning. Bär alltid skyddsglasögon.** Den personliga skyddsutrustningen som t. ex. dammfiltermask, halkfria säkerhetsskor, hjälm eller hörselskydd – med beaktande av elverktygets modell och driftsätt – reducerar risken för kroppsskada.
 - Undvik oavsiktlig igångsättning. Kontrollera att strömbrytaren står i avstängt läge innan du kopplar elverktyget till nätet.** Det kan vara mycket farligt att bära ett elverktyg med fingret på strömbrytaren eller koppla det till nätet med strömbrytaren i till-läge.
 - Ta bort alla inställningsverktyg och skruvnycklar innan du startar elverktyget.** Ett verktyg eller en nyckel i en roterande komponent kan medföra kroppsskada.
 - Sträck dig inte för långt. Se till att du alltid har säkert fotfäste och balans.** På så sätt kan du lättare kontrollera elverktyget i oväntade situationer.
 - Bär lämpliga kläder. Bär inte löst hängande kläder eller smycken. Håll hår, kläder och handskar undan från rörliga delar.** Löst hängande kläder, smycken och långt hår kan dras in av roterande delar.
 - Vid elverktyg med dammsugnings- och - uppsamlingsutrustning kontrollera att anordningarna är rätt monterade och används på korrekt sätt.** Dessa anordningar reducerar riskerna i samband med damm.
- ### 4. Bruk och skötsel av elverktyg
- Överbelasta inte elverktyget. Använd rätt elverktyg för det aktuella arbetet.** Med ett lämpligt elverktyg kan du arbeta bättre och säkrare inom angivet effektområde.
 - Ett elverktyg med defekt strömbrytare får inte användas.** Ett elverktyg som inte kan kopplas till eller från är farligt och måste repareras.
 - Dra stickproppen ur vägguttaget innan inställningar utförs, tillbehörsdelar byts ut eller elverktyget ställs undan.** Denna skyddsåtgärd förhindrar oavsiktlig inkoppling av elverktyget.
 - Förvara elverktygen oåtkomliga för barn. Låt inte elverktyget användas av personer som inte är förtrogna med dess användning eller inte läst denna anvisning.** Elverktygen är farliga om de används av oerfarna personer.

- e. **Sköt elverktyget omsorgsfullt. Kontrollera att rörliga komponenter fungerar felfritt och inte kärvar, att komponenter inte brustit eller skadats och inget annat föreligger som kan påverka elverktygets funktioner. Låt skadade delar repareras innan elverktyget används på nytt.** Många olyckor orsakas av dåligt skötta elverktyg.
- f. **Håll skärverktyg skarpa och rena.** Omsorgsfullt skötta skärverktyg med skarpa eggar fastnar inte så lätt och går lättare att styra.
- g. **Använd elverktyget, tillbehör, insatsverktyg osv. enligt dessa anvisningar och på sätt som föreskrivs för aktuell verktygsmodell. Ta hänsyn till arbetsvillkoren och arbetsmomenten.** Används elverktyget på icke ändamålsenligt sätt kan farliga situationer uppstå.

5. Bruk och skötsel av elverktyg

- a. **Kontrollera att elverktyget är frånkopplat innan batteriet placeras.** Insättning av batteriet i ett inkopplat elverktyg kan leda till olyckor.
- b. **Ladda batterierna endast i de laddare som tillverkaren rekommenderat.** Om en laddare som är avsedd för en viss typ av batterier används för andra batterityper finns risk för brand.
- c. **Använd endast batterier som är avsedda för aktuellt elverktyg.** Används andra batterier finns risk för kroppsskada och brand.
- d. **Håll gem, mynt, nycklar, spikar, skruvar och andra metallföremål på avstånd från reservbatterier för att undvika att kontakterna kortsluts.** Kortslutning av batteriets kontakter kan leda till brännskador eller brand.
- e. **Om batteriet används på felaktigt sätt finns risk för att vätska rinner ur batteriet. Undvik kontakt med vätskan. Vid oavsiktlig kontakt spola med vatten. Om vätska kommer i kontakt med ögonen uppsök dessutom läkare.** Batterivätskan kan medföra hudirritation eller brännskada.

6. Service

- a. **Låt elverktyget endast repareras av kvalificerad fackpersonal och med originalreservdelar.** Detta garanterar att elverktygets säkerhet bibehålls.

Extra säkerhetsföreskrifter för batterier och laddare

Batterier

- ◆ Försök aldrig öppna batteriet.
- ◆ Utsätt inte batteriet för vatten.
- ◆ Förvara inte batteriet i utrymmen där temperaturen kan överstiga 40 °C.
- ◆ Ladda endast inom temperaturområdet 4 °C till 40 °C.
- ◆ Ladda endast med laddaren som medföljer.

- ◆ När batterierna kasseras ska instruktionerna i kapitlet "Miljö" följas.
- ◆ Under extrema förhållanden kan batteriläckage uppstå. Om du upptäcker vätska från batteriet skall följande iakttagas:
 - Torka försiktigt bort vätskan med en trasa. Undvik kontakt med huden.
 - Vid kontakt med huden eller ögonen skall instruktionerna nedan följas.
- ◆ **Varning!** Batterivätskan, en 25-30 % lösning av kaliumhydroxid, kan vara skadlig. Vid kontakt med huden, skölj omedelbart med vatten. Neutralisera med en svag syra, t ex citronjuice eller ättika. Om syran kommer i kontakt med ögonen, skölj rikligt med rent vatten i minst 10 minuter. Kontakta läkare.
- ◆ Utsätt inte batteriet för eld.
- ◆ Försök aldrig ladda ett skadat batteri.

Laddare

- ◆ Använd Black & Decker-laddaren endast tillsammans med det batteri som medföljer verktyget. Andra typer av batterier kan explodera och förorsaka person- och materialskador.
- ◆ Försök aldrig ladda icke-uppladdningsbara batterier.
- ◆ Byt genast ut skadade sladdar.
- ◆ Utsätt inte laddaren för vatten.
- ◆ Öppna inte laddaren.
- ◆ Gör ingen åverkan på laddaren.



Laddaren är endast avsedd för inomhusanvändning.

Elektrisk säkerhet



Laddaren är dubbelisolerad; jordledare är således överflödiga. Kontrollera alltid att nätspänningen överensstämmer med typskylten. Försök aldrig att ersätta laddningsenheten med en vanlig nätkontakt.

Detaljbeskrivning

Verktyget har en del eller samtliga av nedanstående funktioner.

1. Steglös strömbrytare
2. Reglage höger- vänstergång
3. Lågesväljare/Krage för justering av vridmoment
4. Chuck
5. Växelreglage (CP122K/CP142K)
6. Indikator för batteriladdning
7. Bitshållare
8. Batteri

Fig. A

9. Laddare
10. Laddningsenhet
11. Laddningsindikator - laddning pågår

12. Laddningsindikator - full laddning

Montering

Varning! Tag alltid bort batteriet innan montering.

Montering och avlägsnande av batteriet (fig. B & C)

- ◆ Montera batteriet (8) genom att rikta det efter hållaren på verktyget. Skjut sedan in batteriet i hållaren tills det klickar fast.
- ◆ Avlägsna batteriet genom att trycka på knappen (13) och dra ut batteriet ur hållaren.

Montering av batterikåpan (fig. C)

Varning! Sätt kåpan (14) över batteriet (8) för transport och förvaring.

Isättning och borttagning av borr och skruvbits (fig. D)

För att det ska vara lätt att byta borr och bits är verktyget försett med en snabbchuck.

- ◆ Lås verktyget genom att ställa reglaget (2) i mittläge.
- ◆ Öppna chucken genom att vrida kragen (15) med en hand medan du håller verktyget med den andra handen.
- ◆ För in bitsskaftet (16) i chucken.
- ◆ Drag åt chucken stadigt genom att vrida kragen (15) med en hand medan du håller verktyget med den andra handen.

Verktyget levereras med ett dubbelsidigt skruvbits i bitshållaren (7).

- ◆ För att ta ut bitset, drar du ut det ur hållaren.
- ◆ För förvaring trycker du fast bitset i hållaren.

Användning

Varning! Överbelasta inte maskinen, låt den arbeta i sin egen takt.

Varning! Kontrollera var de elektriska ledningarna och rörledningarna är installerade innan du borrar i väggar, golv och tak.

Laddning av batteriet (fig. A)

Batteriet måste laddas innan det används första gången och alltid när verktyget inte längre fungerar effektivt. När batteriet laddas första gången eller efter en längre tids förvaring är laddningskapaciteten endast 80%. Efter flera uppladdnings- och urladdningscyklar uppnår batteriet full kapacitet. Batteriet kan bli varmt under laddningen; detta är en normal företeelse och indikerar inte något fel.

Varning! Ladda inte batteriet om lufttemperaturen är lägre än 4 °C eller högre än 40 °C. Rekommenderad temperatur vid laddning är cirka 24 °C.

Användning av 3-timmarsladdaren

- ◆ För att ladda batteriet (8) tar du ut det ur verktyget och skjuter laddningsenheten (10) på batteriet.
- ◆ Nätanslut laddaren (9).

Batteriet blir varmt när det laddas. Batteriet är laddat för normal användning efter ungefär 3 timmar. Batteriet är fulladdat efter ungefär 6 timmars laddning.

- ◆ Avlägsna laddningsenheten från batteriet.

Bruk av 1-timmarsladdaren

- ◆ När batteriet (8) skall laddas tas det ur verktyget och placeras i laddaren (9). Det finns bara ett sätt att sätta batteriet i laddaren. Bruka inte våld. Kontrollera att batteriet sitter ordentligt i laddaren.
- ◆ Sätt in laddarens kontakt i vägguttaget.
- ◆ Kontrollera att den röda laddningsindikatorn (11) tänds. Om den gröna laddningsindikatorn (12) lyser istället betyder det att batteriet är för varmt och inte kan laddas. Om detta händer ska batteriet tas ut ur laddaren och svalna under cirka 1 timma, varefter det placeras i laddaren igen.

Efter cirka 1 timmes laddning släcks den röda laddningsindikatorn (11) och den gröna laddningsindikatorn (12) tänds. Batteriet är nu fulladdat.

- ◆ Tag ut batteriet ur laddaren.

Kontrollera batteriladdningen (fig. E)

Detta verktyg är försett med en indikator för batteriladdning, så att du kan kontrollera hur mycket laddning som finns kvar.

- ◆ Tryck på knappen (17) och håll den intryckt.
- ◆ Se efter hur många lampor (18) som lyser:

	Batteriladdning
1 lampa	låg laddning
2 lampor	medelhög laddning
3 lampor	hög laddning

Höger-/vänstergång (fig. F)


När du borrar och drar i skruvar ska verktyget rotera framåt (medurs). För att dra ur skruvar eller lossa ett borr som har kört fast, används rotation bakåt (moturs).

- ◆ Välj rotation framåt genom att föra reglaget (2) åt vänster.
- ◆ Välj rotation bakåt genom att föra reglaget åt höger.
- ◆ Spärra verktyget genom att ställa reglaget i mittläge.


Val av driftläge eller vridmoment (fig. G)

Verktyget är försett med en krage för val av driftläge, och för att ställa in vridmomentet för iskrivning av skruvar.

Stora skruvar och hårda arbetsmaterial kräver högre vridmoment än små skruvar och mjukare arbetsmaterial. Kragen kan ställas in många olika lägen, för att anpassa vridmomentet.

- ◆ För borring i trä, metall eller plast ska kragen (3) vridas till borringssläget, d.v.s. med symbolen  vid märket (19).
- ◆ För skruvdragning ställer du in kragen i önskat läge. Gör så här om du inte är säker på rätt inställning:
 - ◆ Ställ kragen (3) på lägsta vridmoment.
 - ◆ Dra åt den första skruven.
 - ◆ Om kopplingen släpper innan önskat resultat uppnås höjer du vridmomentet och skruvar vidare. Upprepa tills du har rätt inställning. Använd denna inställning för de återstående skruvarna.

CP122K/CP142K – Borring i murverk (fig. G & H)

- ◆ För borring i murverk ska kragen (3) vridas till slagborrsläget, d.v.s. med symbolen  vid märket (19).
- ◆ Skjut växeln med två lägen (5) mot framsidan på verktyget (2:ans växel).

CP122K/CP142K - Växelreglage (fig. H)

- ◆ För borring i metall och iskrivning av skruvar ska växelreglaget (5) skjutas bakåt (1:ans växel).
- ◆ För borring i andra material än metall ska växelreglaget (5) skjutas framåt (2:ans växel).

Borring och skruvdragning (fig. A)

- ◆ Välj rotation framåt eller bakåt med reglaget (2).
- ◆ Tryck på strömbrytaren (1) för att starta verktyget. Verktygets hastighet beror på hur långt strömbrytaren trycks in.
- ◆ Släpp reglaget för att stänga av verktyget.

Råd för bästa resultat

Borring

- ◆ Utöva alltid ett lätt tryck i borrets längdriktning.
- ◆ Reducera trycket ytterligare strax innan borrspetsen tränger ut ur arbetsstyckets andra sida.
- ◆ Använd en träbit under arbetsstycket för att undvika att arbetsstycket spricker.
- ◆ Använd ett flatborr/spiralborr när du skall borra hål med stor diameter i trä.
- ◆ Använd HSS-borr vid borring i metall.
- ◆ Använd betongborr vid borring i murverk.
- ◆ Använd smörjmedel vid borring i andra metaller än gjutjärn och mässing.
- ◆ För bättre precision bör du slå ett kärnslag i mitten av hålet som skall borraras.

Skruvdragning

- ◆ Använd alltid rätt typ och storlek på bitset.
- ◆ Om det är svårt att dra åt skruven kan lite flytande tvättmedel eller tvål anbringas som smörjmedel.
- ◆ Håll alltid verktyget och bitset i rak linje med skruven.

Skötsel

Ditt Black & Decker verktyg har tillverkats för att fungera under lång tid med ett minimum av underhåll. Med rätt underhåll och regelbunden rengöring behåller verktyget sina prestanda. Laddaren behöver inget underhåll förutom regelbunden rengöring.

Varning! Tag bort batteriet innan underhåll utförs på verktyget. Tag ur laddarkontakten före rengöring.

- ◆ Rengör ventilationsöppningarna på verktyget och laddaren regelbundet med en mjuk borste eller torr trasa.
- ◆ Rengör kåpan regelbundet med en fuktig trasa. Använd aldrig rengöringsmedel med lösnings- eller slipmedel i.
- ◆ Öppna chucken regelbundet och knacka på den för att avlägsna eventuellt damm som hamnat inuti den.

Miljöskydd



Särskild insamling. Denna produkt får inte kastas bland vanliga hushållssopor.

Om du någon gång i framtiden behöver ersätta din Black & Decker-produkt med en ny, eller inte längre behöver den, ska du inte kasta den i hushållssoporna. Denna produkt skall lämnas till särskild insamling.



Efter insamling av använda produkter och förpackningsmaterial kan materialen återvinnas och användas på nytt. Användning av återvunna material skötar miljön och minskar förbrukningen av råvaror.

Enligt lokal lagstiftning kan det förekomma särskilda insamlingar av uttjänt elutrustning från hushåll, antingen vid kommunala miljöstationer eller hos detaljhandlaren när du köper en ny produkt.

Black & Decker erbjuder en samlings- och återvinningstjänst för Black & Decker-produkter när de en gång har tjänat ut. För att använda den här tjänsten lämnar du in produkten till en auktoriserad B & D –reparatör/representant som tar hand om den för din räkning.

Närmaste auktoriserad Black & Decker-representant finner du genom det lokala Black & Decker-kontoret på adressen i den här manualen. Annars kan du söka på Internet, på listan över auktoriserade Black & Decker-representanter och alla uppgifter om vår kundservice och andra kontakter. www.2helpU.com

Batterier



Black & Decker-batterierna kan laddas många gånger. Skydda miljön genom att lämna uttjänta batterier till avsedd uppsamlingsplats.

- Låt batteriet laddas ur helt och ta sedan bort det från verktyget.
- NiCd- och NiMH-batterier kan återvinnas. Lämna dem till inköpsstället eller den lokala återvinningsstationen.

Laddare	3 tim.	1 tim.
Spänning	V _{AC} 230	230
Laddningstid cirka	tim 3	1

EC-förklaring om överensstämmelse

CP12/CP122/CP14/CP142

Black & Decker förklarar att dessa produkter överensstämmer med:

EN 50260, EN 55014, EN 60335, EN 61000

L_{PA} (bullertryck) 68 dB(A), L_{WA} (akustisk effekt) 79 dB(A),
vägt geometriskt vibrationsvärde hand/arm < 2,5 m/s²

K_{PA} (osäkerhet bullertryck) 3 dB(A),

K_{WA} (osäkerhet akustisk effekt) 3 dB(A)

Kevin Hewitt

Director of Consumer Engineering
Spennymoor, County Durham DL16 6JG,
Storbritannien
1-5-2005

Reservdelar / reparationer

Reservdelar finns att köpa hos auktoriserade Black & Decker verkstäder, som även ger kostnadsförslag och reparerar våra produkter.

Förteckning över våra auktoriserade verkstäder finns på Internet, vår hemsida www.blackanddecker.se samt www.2helpU.com

Tekniska data

		CP12	CP122	CP14	CP142
Spänning	V _{DC}	12	12	14,4	14,4
Obelastad hastighet	min ⁻¹	0-700	0-400/0-1300	0-750	0-400/0-1300
Maximalt vridmoment	Nm	16	20	17	21
Chuck-kapacitet	mm	10	10	10	10
Maximal borrkapacitet för stål/trä/murverk	mm	10	10	10	10
Kat. nr. batteri		A12	A12	A14	A14
Kapacitet	Ah	1,5	1,5	1,5	1,5
Vikt	kg	1,7	1,8	1,7	1,8

Garanti

Black & Decker garanterar att produkten är fri från material- och/eller fabriktionsfel vid leverans till kund. Garantin är i tillägg till konsumentens lagliga rättigheter och påverkar inte dessa. Garantin gäller inom medlemsstaterna i Europeiska Unionen och i det Europeiska Frihandelsområdet.

Om en Black & Decker produkt går sönder på grund av material- och/eller fabriktionsfel eller brister i överensstämmelse med specifikationen, inom 24 månader från köpet, åtar sig Black & Decker att reparera eller byta ut produkten med minsta besvär för kunden.

Garantin gäller inte för fel som beror på:

- normalt slitage
- felaktig användning eller skötsel
- att produkten skadats av främmande föremål, ämnen eller genom olyckshändelse

Garantin gäller inte om reparation har utförts av någon annan än en auktoriserad Black & Decker verkstad.

För att utnyttja garantin skall produkten och inköpskvittot lämnas till återförsäljaren eller till en auktoriserad verkstad senast 2 månader efter det att felet har upptäckts. För information om närmaste auktoriserad verkstad; kontakta det lokala Black & Decker kontoret på den adress som är angiven i bruksanvisningen. En lista på alla auktoriserade verkstäder samt servicevillkor finns även tillgängligt på Internet, adress: www.2helpU.com

Besök vår webbplats www.blackanddecker.se för att registrera din nya Black & Decker-produkt samt för att erhålla information om nya produkter och specialerbjudanden. Vidare information om märket Black & Decker och vårt produktsortiment kan återfinnas på www.blackanddecker.se

Bruksområder

Din Black & Decker drill/skrutrekker CP12K/CP14K er utformet for skruing og boring i tre, metall og plast.

Black & Decker drill/skrutrekker CP122K/CP142K er konstruert for skruing og boring i tre, metall, plast og mur.

Verktøyet er tiltenkt kun som konsumentverktøy.

Generelle sikkerhetsforskrifter

Advarsel! Les gjennom alle anvisningene. Hvis anvisningene nedenfor ikke overholdes, kan det medføre elektrisk støt, brann og/eller alvorlige skader. Uttrykket «elektroverktøy» i alle advarslene nedenfor gjelder for strøm-drevne elektroverktøy (med ledning) og batteridrevne elektroverktøy (uten ledning).

TA GODT VARE PÅ DISSE ANVISNINGENE.

1. Arbeidsplassen

- Hold arbeidsområdet rent og godt opplyst.** Rotete arbeidsområder og arbeidsområder uten godt lys kan føre til ulykker.
- Ikke arbeid med elektroverktøy i eksplosjonsfarlige omgivelser – der det finnes seg brennbare væsker, gass eller støv.** Elektroverktøy forårsaker gnister som kan antenne støv eller damper.
- Hold barn og andre personer unna når elektroverktøyet brukes.** Hvis du blir forstyrret under arbeidet, kan du miste kontrollen.

2. Elektrisk sikkerhet

- Støpselet til elektroverktøyet må passe inn i stikkkontakten. Støpselet må ikke forandres på noen som helst måte. Ikke bruk adapterstøpsler sammen med jordete elektroverktøy.** Bruk av originale støpsler og passende stikkontakter reduserer risikoen for elektrisk støt.
- Unngå kroppskontakt med jordete overflater som rør, radiatorer, komfyrer og kjøleskap.** Det er større fare for elektrisk støt hvis kroppen din er jordet.
- Hold elektroverktøy unna regn eller fuktighet.** Dersom det kommer vann i et elektroverktøy, øker risikoen for elektrisk støt.
- Unngå uforsvarlig behandling av ledningen. Elektroverktøyet må aldri bæres eller trekkes etter ledningen, og trekk heller ikke ut støpselet ved å rykke i ledningen. Hold ledningen unna varme, olje, skarpe kanter eller bevegelige deler.** Med skadde eller sammenflokete ledninger øker risikoen for elektrisk støt.
- Når du arbeider utendørs med et elektroverktøy, må du kun bruke en skjøteledning som er godkjent til utendørs bruk.** Ved å bruke en skjøteledning som er egnet for utendørs bruk, reduseres risikoen for elektrisk støt.

3. Personikkerhet

- Vær oppmerksom, pass på hva du gjør og gå fornuftig fram når du arbeider med et elektroverktøy. Ikke bruk elektroverktøy når du er trett eller er påvirket av narkotika, alkohol eller medikamenter.** Et øyeblikks uoppmerksomhet under bruk av verktøyet kan føre til alvorlige personskader.
 - Bruk personlig verneutstyr. Bruk alltid vernebriller.** Bruk av personlig verneutstyr, for eksempel støvmaske, sklislire vernesko, hjelm eller hørselsvern som passer til forholdene, reduserer risikoen for personskader.
 - Unngå utilsiktet start av elektroverktøyet. Påse at bryteren står i posisjon "AV" før verktøyet koples til.** Det kan føre til ulykker hvis du bærer elektroverktøyet med fingeren på bryteren, eller kople til verktøyet når bryteren ikke står i posisjon "AV".
 - Fjern innstillingsverktøy eller skrunøkler før du slår på elektroverktøyet.** Et verktøy eller en nøkkel som befinner seg i en roterende del, kan føre til personskade.
 - Ikke strekk deg for langt. Pass på at du alltid har sikkert fotfeste og god balanse.** Da kan du kontrollere elektroverktøyet bedre i uventede situasjoner.
 - Bruk alltid egnede klær. Ikke bruk løstsittende klær eller smykker. Hold hår, klær og hansker unna bevegelige deler.** Løstsittende tøy, smykker eller langt hår kan komme inn i bevegelige deler.
 - Hvis det kan monteres støvavsug- og oppsamlingsinnretninger, må du forvise deg om at disse er tilkoblet og brukes på korrekt måte.** Bruk av disse innretningene reduserer farer i forbindelse med støv.
- ### 4. Aktsom håndtering og bruk av elektroverktøy
- Ikke bruk makt på elektroverktøyet. Bruk et elektroverktøy som er beregnet på den type arbeid du vil utføre.** Med et passende elektroverktøy arbeider du bedre og sikrere i det angitte effektområdet.
 - Ikke bruk elektroverktøy med defekt strømbryter.** Et elektroverktøy som ikke lenger kan slås av eller på med bryteren, er farlig og må repareres.
 - Trekk støpselet ut av stikkkontakten før du utfører innstillinger på elektroverktøyet, skifter tilbehørsdeler eller legger elektroverktøyet bort.** Disse tiltakene reduserer risikoen for en utilsiktet start av elektroverktøyet.
 - Elektroverktøy som ikke er i bruk, må oppbevares utilgjengelig for barn. Ikke la verktøyet brukes av personer som ikke er fortrolig med dette, eller som ikke har lest disse bruksanvisningene.** Elektroverktøy er farlige når de brukes av uerfarne personer.

- e. **Vær nøye med vedlikehold av elektroverktøy. Kontroller om bevegelige deler fungerer feilfritt og ikke klemmes fast, om deler er brukket eller skadet og andre forhold som kan innvirke på elektroverktøyets funksjon. Hvis elektroverktøyet er skadet, må det repareres før bruk.** Dårlig vedlikeholdte elektroverktøy er årsaken til mange uhell.
- f. **Hold skjæreverktøy skarpe og rene.** Godt vedlikeholdte skjæreverktøy med skarpe egger setter seg ikke så ofte fast og er lettere å føre.
- g. **Bruk elektroverktøy, tilbehør, bits osv. i henhold til disse anvisningene og slik det er foreskrevet for denne spesielle verktøytypen. Ta hensyn til arbeidsforholdene og arbeidet som skal utføres.** Bruk av elektroverktøy til andre formål enn det som er angitt, kan føre til farlige situasjoner.

5. Aktsom håndtering og bruk av oppladbare elektroverktøy

- a. **Sørg for at verktøy er slått av før du setter i batteriet.** Hvis du setter batteriet i et elektroverktøy som er slått på, kan dette medføre uhell.
- b. **Lad batteriet kun opp i laderen som er anbefalt av produsenten.** Det oppstår brannfare hvis en lader som er egnet til en bestemt type batterier, brukes med andre batterier.
- c. **Bruk kun riktig type batterier for elektroverktøyene.** Bruk av andre batterier kan medføre skader og brannfare.
- d. **Hold batterier som ikke er i bruk, unna binders, mynter, nøkler, spikre, skruer eller andre mindre metallgjenstander som kan lage en forbindelse mellom kontaktene.** En kortslutning mellom batterikontaktene kan føre til forbrenninger eller brann.
- e. **Ved feilaktig bruk kan det lekke væske ut av batteriet. Unngå kontakt med denne væsken. Ved tilfeldig kontakt må det skylles med vann. Hvis det kommer væske i øynene, må du i tillegg oppsøke lege.** Batterivæske som renner ut, kan føre til hudirritasjoner eller forbrenninger.

6. Service

- a. **Elektroverktøyet ditt skal alltid repareres av kvalifisert personell og kun med originale reservedeler.** Dette forsikrer at elektroverktøyets sikkerhet opprettholdes.

Ekstra sikkerhetsforskrifter for batterier og ladere

Batterier

- ◆ Må aldri åpnes.
- ◆ Batteriet må ikke komme i kontakt med vann.

- ◆ Må ikke oppbevares på steder hvor temperaturen kan overstige 40 °C.
- ◆ Må bare lades ved lufttemperaturer mellom 4 °C og 40 °C.
- ◆ Må bare lades med laderen som følger med verktøyet.
- ◆ Når du kasserer batteriet, følger du instruksene som er gitt i avsnittet "Miljø".
- ◆ Under ekstreme forhold kan batterilekkasje forekomme. Hvis du merker væske på batteriet, må du gjøre som følger:
 - Tørk forsiktig væsken av med en klut. Unngå kontakt med huden.
 - I tilfeller hvor det oppstår kontakt med hud eller øyne, skal instruksjonene nedenfor følges.
- ◆ **Advarsel!** Batterivæsken, en 25-30 % løsning av kaliumhydroksid, kan være skadelig. Hvis den kommer i berøring med hud, må du straks skylle med vann. Nøytraliser med en svak syre, f.eks. sitronsaft eller eddik. Hvis du får væsken i øynene, må du rense dem med rikelige mengder rent vann i minst 10 minutter. Kontakt lege.
- ◆ Batteriet må ikke brennes.
- ◆ Bruk aldri et skadet batteri.

Ladere

- ◆ Bruk din Black & Decker lader kun sammen med det batteriet som blir levert med verktøyet. Andre typer batterier kan eksplodere og forårsake person- og materialskader.
- ◆ Forsøk aldri å lade ikke-oppladbare batterier.
- ◆ Bytt straks ut defekte ledninger.
- ◆ Laderen må ikke komme i kontakt med vann.
- ◆ Laderen må ikke åpnes.
- ◆ Ikke skad eller feilbehandle laderen.



Laderen er kun beregnet på innendørs bruk.

Elektrisk sikkerhet



Laderen er dobbeltisolert. Derfor er ikke jording nødvendig. Kontroller at nettspenningen er i overensstemmelse med spenningen på typeskiltet. Du må aldri forsøke å bytte laderen ut med et vanlig støpsel.

Funksjoner

Dette verktøyet har noen av eller alle disse funksjonene:

1. Trinnløs strømbryter
2. Bryter for høyre-/venstregange
3. Justering for funksjonsvalg/dreiemoment
4. Chuck
5. Girvelger (CP122K/CP142K)
6. Indikator for batterilading
7. Borkroneholder
8. Batteri

Fig. A

9. Lader
10. Ladeenhet
11. Ladeindikator - lading pågåår
12. Ladeindikator - lading fullført

Montering

Advarsel! Før montering må du alltid ta ut batteriet.

Sette inn og ta ut batteriet (fig. B & C)

- ◆ Når du skal sette i batteriet (8), holder du det på høyde med holderen på verktøyet. Skyv batteriet inn i holderen, og trykk til det sitter på plass.
- ◆ Når du skal fjerne batteriet, trykker du på de to utløserknappene (13) samtidig, mens du drar batteriet ut av holderen.

Sette på batterihetten (fig. C)

Advarsel! Sett hetten (14) på batteriet (8) før det skal transporteres eller legges på lager.

Sette på og ta av bor og bits (fig. D)

Dette verktøyet er utstyrt med en nøkkelfri chuck, slik at det blir enklere å bytte bor og biter.

- ◆ Lås verktøyet ved å stille bryteren for høyre-/venstregange (2) på midtstillingen.
- ◆ Åpne chucken ved å dreie sylindren (15) med den ene hånden, mens du holder verktøyet med den andre hånden.
- ◆ Sett tilbehøret (16) inn i chucken.
- ◆ Stram chucken godt ved å dreie sylindren (15) med den ene hånden, mens du holder verktøyet med den andre hånden.

Dette verktøyet leveres med en tosidig skrutrekkerbits i bitsholderen (7).

- ◆ For å fjerne bitsen, løfter du den ut av holderen.
- ◆ For å oppbevare bitsen trykker du den godt inn i holderen.

Bruk

Advarsel! La verktøyet jobbe med sin egen hastighet. Ikke overbelast det.

Advarsel! Før boring i vegger, gulv eller tak, må du undersøke hvor ledninger og rør befinner seg.

Lading av batteriet (fig. A)

Batteriet må lades før første gangs bruk og alltid når verktøyet ikke lenger fungerer effektivt. Når batteriet lades for første gang, eller etter at det ikke har vært brukt i en periode, er ladekapasiteten kun 80%. Etter flere ladings- og utladingsperioder, vil batteriet oppnå full kapasitet. Batteriet kan bli varmt mens det lades; dette er normalt og indikerer ikke at noe er feil.

Advarsel! Lad ikke batteriet hvis lufttemperaturen er under 4 °C eller over 40 °C. Anbefalt ladingstemperatur: ca. 24 °C.

Bruke 3-timesladeren

- ◆ For å lade batteriet (8) må du ta det ut av verktøyet og skyve laderkontakten (10) inn på batteriet.
- ◆ Koble laderen (9) til stikkkontakten.

Batteriet blir varmt under lading. Etter omtrent 3 timers lading er batteriet tilstrekkelig ladet for alminnelig bruk.

Etter omtrent 6 timers lading vil batteriet være helt oppladet.

- ◆ Fjern batteriladeren fra batteriet.

Bruke 1-timesladeren

- ◆ For å lade batteriet (8), ta det ut av verktøyet og sett det inn i laderen (9). Det er bare en måte å plassere batteriet inn i laderen. Ikke bruk makt. Kontroller at batteriet ligger ordentlig på plass i laderen.
- ◆ Sett laderens kontakt i vegguttaket.
- ◆ Sjekk om den røde ladeindikatoren (11) lyser. Hvis den grønne ladeindikatoren (12) lyser i stedet, er batteriet for varmt og kan ikke lades. Hvis dette skjer, tar du batteriet ut av laderen, lar det avkjøles i 1 time og setter det inn igjen.

Etter ca. 1 times lading, vil den røde ladeindikatoren (11) slukke og den grønne ladeindikatoren (12) lyser. Batteriet er nå ferdig oppladet.

- ◆ Ta batteriet ut av laderen.

Kontroll av batteriladingen (fig. E)

Dette verktøyet er utstyrt med en indikator for batterilading, som kan brukes til å sjekke hvor mye lading det er igjen på batteriet.

- ◆ Hold knappen (17) nede.
- ◆ Se etter hvor mange av lampene (18) som lyser:

	Batterilading
1 lampe	lav
2 lamper	middels
3 lamper	høy

Velge rotasjonsretning (fig. F)

Til boring og isetting av skruer skal verktøyet rotere forover (med klokken). For å løsne skruer eller fjerne et blokkert bor bruker du rotasjon bakover (mot klokken).

- ◆ For å velge rotasjon forover trykker du bryteren (2) mot venstre.
- ◆ For å velge rotasjon bakover trykker du bryteren mot høyre.
- ◆ For å låse verktøyet stiller du bryteren i midtstilling.

Valg av driftsmodus eller dreiemoment (fig. G)

Dette verktøyet er utstyrt med en justering for valg av driftsmodus og for innstilling av dreiemomentet for isetting av skruer.

Store skruer og harde materialer krever en høyere innstilling av dreiemomentet enn små skruer og myke materialer. Kraven har en lang rekke innstillinger som passer til forskjellige oppgaver.

- For boring i tre, metall og plast stiller du kraven (3) inn på boreposisjon ved å sette drillsymbolet **1** på linje med merket (19).
- For skruing stilles kraven til ønsket innstilling. Hvis du ikke vet hvilken innstilling du bør bruke, gjør du slik:
 - ◆ Sett kraven (3) på det laveste dreiemomentet.
 - ◆ Stram den første skruen.
 - ◆ Hvis koplingen frigjøres før det ønskete resultatet er oppnådd, øker du innstillingen på justeringen og fortsetter å stramme skruen. Gjenta dette til du har oppnådd den korrekte innstillingen. Bruk denne innstillingen for de resterende skruene.

CP122K/CP142K – Boring i mur (fig. G & H)

- For boring i mur stiller du justeringen inn (3) på slagborposisjon ved å sette symbolet **T** på linje med merket (19).
- Skyv girvelgeren (5) mot fronten av verktøyet (2. gir).

CP122K/CP142K - Girvelger (fig. H)

- For boring i stål og for skruarbeider skyver du girvelgeren (5) bakover (1. gir).
- For boring i andre materialer enn stål skyver du girvelgeren (5) fremover (2. gir).

Boring og skruing (fig. A)

- Velg rotasjon forover eller bakover med bryteren (2).
- For å slå verktøyet på trykker du inn strømbryteren (1). Verktøyets hastighet er avhengig av hvor langt inn du trykker bryteren.
- Slipp strømbryteren for å stanse verktøyet.

Råd for optimalt resultat

Boring

- Boret skal trykkes lett og rett mot arbeidsstykket.
- Like før boret bryter gjennom på den andre siden av arbeidsstykket, slipper du trykket litt.
- Bruk en trebit under arbeidsstykket for å unngå at arbeidsstykket splintres.
- Bruk et flatbor/spiralbor når du skal bore hull med stor diameter i tre.
- Bruk HSS-bor når du borer i metall.
- Bruk betongbor når du borer i mur.
- Bruk smøremiddel når du borer i annet metall enn støpejern og messing.
- For bedre presisjon: lag en fordypning med en kjørner i midten av hullet som skal bores.

Skruing

- ◆ Bruk alltid riktig type og størrelse på skrutrekkerkronen.
- ◆ Hvis det er vanskelig å stramme skruene, kan du forsøke å bruke litt flytende vaskemiddel eller såpe som smøremiddel.
- ◆ Hold alltid verktøyet og skrutrekkerkronen i rett linje med skruen.

Vedlikehold

Ditt Black & Decker verktøy har blitt utformet for å være i drift over en lang periode med et minimum av vedlikehold.

Med riktig vedlikehold og regelmessig rengjøring beholder verktøyet ytelsen.

Laderen din behøver ikke annet vedlikehold enn at den rengjøres med jevne mellomrom.

Advarsel! Før det utføres noen form for vedlikehold av verktøyet, må batteriet tas ut. Trekk ut kontakten når laderen skal gjøres ren.

- ◆ Rengjør ventilasjonsåpningene på verktøyet og laderen regelmessig med en myk børste eller en tørr klut.
- ◆ Rengjør kåpen regelmessig med en fuktig klut. Ikke bruk slipende eller løsemiddelbaserte rengjøringsmidler.
- ◆ Åpne opp chucken regelmessig, og slå lett på den for å fjerne eventuelt støv fra innsiden.

Miljøvern



Kildesortering. Dette produktet må ikke kastes i det vanlige husholdningsavfallet.

Hvis du finner ut at Black & Decker-produktet ditt må skiftes ut, eller hvis du ikke lenger har bruk for det, må du unnlate å kaste det sammen med det vanlige husholdningsavfallet. Sørg for at dette produktet gjøres tilgjengelig for kildesortering.



Kildesortering av brukte produkter og emballasje gjør det mulig å resirkulere materialer og bruke dem igjen. Gjenbruk av resirkulerte materialer bidrar til å forhindre forurensning av miljøet og reduserer behovet for råmaterialer.

Lokale regelverk kan legge tilrette for kildesortering av elektriske produkter fra husholdningen, ved kommunale deponier eller gjennom forhandleren når du kjøper et nytt produkt.

Black & Decker har tilrettelagt for innsamling og resirkulering av Black & Decker-produkter etter at de har utspilt sin rolle. Ønsker du å benytte deg av denne tjenesten, returnerer du produktet ditt til et autorisert serviceverksted, som tar det imot og formidler det videre.

Du kan få adressen til ditt nærmeste autoriserte serviceverksted ved å kontakte ditt lokale Black & Decker-kontor på adressen oppgitt i denne håndboken. Du kan også finne en komplett liste over autoriserte Black & Decker-serviceverksteder og utfyllende informasjon om vår etter salg-service og kontaktnumre på Internett på følgende adresse: **www.2helpU.com**

Batterier



Black & Decker-batterier kan lades mange ganger. Beskytt miljøet ved å levere kasserte batteriet til kildesortering:

- ◆ Kjør batteriet til det er helt flatt og ta det så ut av verktøyet.
- ◆ NiCd- og NiMH-batterier kan resikuleres. Ta dem med til en hvilken som helst autorisert forhandler eller en lokal kildesorteringsstasjon.

Lader	3 time	1 time
Spenning	V_{AC} 230	230
Ladetid, ca	timer 3	1

Samsvarserklæring for EU

CP12/CP122/CP14/CP142

Black & Decker erklærer at disse produktene overholder:
EN 50260, EN 55014, EN 60335, EN 61000

L_{pA} (lydtrykk) 68 dB(A), L_{WA} (akustisk effekt) 79 dB(A),
hånd/arm-vektet vibrasjon < 2,5 m/s²

K_{pA} (lydtrykksikkerhet) 3 dB(A),
 K_{WA} (usikkerhet i akustisk effekt) 3 dB(A)

Kevin Hewitt
Adm. dir. for forbrukerteknikk
Spennymoor, County Durham DL16 6JG,
Storbritannia
1-5-2005

Reservdeler / reparasjoner

Reservdeler kan kjøpes hos autoriserte Black & Decker serviceverksteder, som også gir kostnadsoverslag og reparerer våre produkter.

Oversikt over våre autoriserte serviceverksteder finnes på Internet, vår hjemmeside **www.blackanddecker.no** samt **www.2helpU.com**

Garanti

Black & Decker garanterer at produktet ikke har material- og/eller fabrikkasjonsfeil ved levering til kunde. Garantien er i tillegg til kundens lovlige rettigheter og påvirker ikke disse. Garantien gjelder innen medlemsstatene i den Europeiske Unionen og i det Europeiske Frihandelsområdet.

Hvis et Black & Decker produkt går i stykker på grunn av material- og/eller fabrikkasjonsfeil eller har mangler i forhold til spesifikasjonene, innen 24 måneder fra kjøpet, påtar Black & Decker seg å reparere eller bytte ut produktet med minst mulig vanskelighet for kunden.

Garantien gjelder ikke for feil som kommer av:

- ◆ normal slitasje
- ◆ feilaktig bruk eller vedlikehold (mislighold)
- ◆ at produktet har blitt skadet av fremmede gjenstander, emner eller ved et uhell

Det gjøres oppmerksom på at produktet ikke er beregnet på industriell/profesjonell/yrkesmessig bruk, men til hus- og hjemmebruk.

Garantien gjelder ikke om reparasjoner har blitt utført av noen andre enn et autorisert Black & Decker serviceverksted.

For å ta garantien i bruk skal produktet og kjøpekvittring leveres til forhandleren eller til et autorisert serviceverksted senest 2 måneder etter at feilen har blitt oppdaget.

For informasjon om nærmeste autoriserte serviceverksted; kontakt det lokale Black & Decker kontoret på den adressen som er angitt i bruksanvisningen. En oversikt over alle autoriserte serviceverksteder samt servicevilkår finnes også tilgjengelig på Internet, adresse: **www.2helpU.com**

Tekniske data

		CP12	CP122	CP14	CP142
Spenning	V_{DC}	12	12	14,4	14,4
Hastighet ubelastet	min ⁻¹	0-700	0-400/0-1300	0-750	0-400/0-1300
Maks. dreiemoment	Nm	16	20	17	21
Chuck-kapasitet	mm	10	10	10	10
Maks. borekap. i stål/tre/mur	mm	10	10	10	10
Kat.nr. batteri		A12	A12	A14	A14
Kapasitet	Ah	1,5	1,5	1,5	1,5
Vekt	kg	1,7	1,8	1,7	1,8

Vennligst stikk innom våre nettsider på www.blackanddecker.no for å registrere ditt nye Black & Decker-produkt og for å holde deg oppdatert om nye produkter og spesialtilbud. Du finner mer informasjon om Black & Decker og produktutvalget vårt på www.blackanddecker.no

Anvendelsesområde

Din Black & Decker boremaskine/skruetrækker CP12K/CP14K er designet til skruetrækningsopgaver og boring i træ, metal og plastik.

Din Black & Decker boremaskine/skruetrækker CP122K/CP142K er designet til skruetrækningsopgaver og boring i træ, metal, plastik og blødt murværk.

Værktøjet er kun beregnet til privat brug.

Generelle sikkerhedsregler

Advarsel! Læs alle instrukserne. Hvis nedenstående instrukser ikke følges, er der risiko for elektrisk stød, brand og/eller alvorlige personskader. Det benyttede begreb "el-værktøj" i nedennævnte advarsler refererer til netdrevne (med tilslutningsledning) eller batteridrevne maskiner (uden tilslutningsledning).
DISSE INSTRUKSER BØR OPBEVARES TIL SENERE BRUG.

1. Arbejdsområde

- Sørg for, at arbejdsområdet er rent og ryddeligt.** Uordentlige og uoplyste arbejdsområder øger faren for uheld.
- Brug ikke el-værktøj i eksplosionsfarlige omgivelser, f.eks. hvor der er brændbare væsker, gasser eller støv.** El-værktøj kan slå gnister, der kan antænde støv eller dampe.
- Sørg for, at børn og andre personer holder sig på afstand, når el-værktøjet er i brug.** Hvis man distraheres, kan man miste kontrollen over maskinen.

2. El-sikkerhed

- El-værktøjsstik skal passe til kontakten. Stikket må under ingen omstændigheder ændres. Brug ikke adapterstik sammen med jordforbundet el-værktøj.** Uændrede stik, der passer til kontakterne, nedsætter risikoen for elektrisk stød.
- Undgå kropskontakt med jordforbundne overflader som f.eks. rør, radiatorer, komfurer og køleskabe.** Hvis din krop er jordforbundet, øges risikoen for elektrisk stød.
- El-værktøj må ikke udsættes for regn eller fugt.** Indtrængen af vand i el-værktøj øger risikoen for elektrisk stød.
- Undgå at ødelægge ledningen. Undgå at bære, trække eller afbryde el-værktøjet ved at rykke i ledningen. Beskyt ledningen mod varme, olie, skarpe kanter eller maskindele, der er i bevægelse.** Beskadigede eller indviklede ledninger øger risikoen for elektrisk stød.
- Hvis el-værktøj benyttes i det fri, skal der benyttes en forlængerledning, som er godkendt til udendørs brug.** Brug af en forlængerledning til udendørs brug nedsætter risikoen for elektrisk stød.

3. Personlig sikkerhed

- Det er vigtigt at være opmærksom, holde øje med, hvad man laver og bruge el-værktøjet fornuftigt. Man bør ikke bruge maskinen, hvis man er træt, har nydt alkohol eller er påvirket af medicin eller euforiserende stoffer.** Få sekunders uopmærksomhed ved brug af el-værktøjet kan føre til alvorlige personskader.
 - Brug sikkerhedsudstyr. Brug altid beskyttelsesbriller.** Brug af sikkerhedsudstyr som f.eks. støvmaske, skridsikkert fodtøj, beskyttelseshjelm eller høreværn afhængigt af maskintype og anvendelse nedsætter risikoen for personskader.
 - Undgå utilsigtet igangsætning. Sørg for, at el-værktøjets afbryder er på off, før det slutes til strømmen.** Hvis man bærer el-værktøj med fingeren på afbryderen, eller hvis man slutter værktøjet til strømmen, mens afbryderen er på on, er der risiko for ulykker.
 - Fjern indstillingsværktøj eller skruenøgle, inden el-værktøjet tændes.** Et værktøj eller en nøgle, der efterlades i en roterende del i el-værktøjet, kan resultere i personskader.
 - Overvurder ikke dig selv. Sørg for, at du altid har sikkert fodfæste og balance.** Det gør det nemmere at kontrollere el-værktøjet, hvis der skulle opstå uventede situationer.
 - Brug egnet arbejdstøj. Undgå løse beklædningsgenstande eller smykker. Hold hår, tøj og handsker væk fra dele, der bevæger sig.** Bevægelige dele kan gribe fat i løstsiddende tøj, smykker eller langt hår.
 - Hvis støvudsugnings- og opsamlingsudstyr kan monteres, er det vigtigt, at dette tilsluttes og benyttes korrekt.** Brug af dette udstyr nedsætter risikoen for personskader som følge af støv.
- ### 4. Brug og vedligeholdelse af el-værktøj
- Undgå at overbelaste el-værktøjet. Brug altid det rette el-værktøj til opgaven.** Med det rigtige el-værktøj udføres arbejdet lettere og sikrere inden for det angivne effektområde.
 - Brug ikke el-værktøjet, hvis afbryderen er defekt.** El-værktøj, der ikke kan kontrolleres med afbryderen, er farligt og skal repareres.
 - Træk stikket ud af stikkontakten inden indstilling, tilbehørsudskiftning eller opbevaring af el-værktøjet.** Disse sikkerhedsforanstaltninger reducerer risikoen for utilsigtet start af værktøjet.

- d. **Opbevar ubenyttet el-værktøj uden for børns rækkevidde. Lad aldrig personer, der ikke er fortrolige med el-værktøj, eller som ikke har gennemlæst disse instrukser, benytte maskinen.**
El-værktøj er farligt, hvis det benyttes af ukyndige personer.
- e. **El-værktøj bør vedligeholdes omhyggeligt. Kontroller, om bevægelige dele fungerer korrekt og ikke sidder fast, og om delene er brækket eller beskadiget, således at el-værktøjets funktion påvirkes. Få beskadigede dele repareret, inden el-værktøjet tages i brug.** Mange uheld skyldes dårligt vedligeholdt el-værktøj.
- f. **Sørg for, at skæreværktøjer er skarpe og rene.**
Omhyggeligt vedligeholdt skæreværktøjer med skarpe skærekanter sætter sig ikke så hurtigt fast og er nemmere at føre.
- g. **Brug el-værktøj, tilbehør, indsatsværktøj osv. i overensstemmelse med disse instrukser, og sådan som det kræves for denne specielle værktøjstype. Tag hensyn til arbejdsforholdene og det arbejde, der skal udføres.** I tilfælde af anvendelse af el-værktøjet til formål, som ligger uden for det fastsatte anvendelsesområde, kan der opstå farlige situationer.

5. Brug og vedligeholdelse af batteriværktøj

- a. **Sørg for, at maskinen er slukket, før batteriet indsættes.** Indsættelse af batteriet i el-værktøj, hvis afbryder er på on, kan føre til ulykker.
- b. **Oplades kun ved hjælp af ladeaggregater, der er anbefalet af fabrikanten.** Et ladeaggregat, der er egnet til en bestemt type batterier, kan udgøre brandfare, hvis det bruges med andre batterityper.
- c. **Brug kun el-værktøjet med specifikt fremstillede batterier.** Brug af andre batterier kan øge risikoen for personskader og er forbundet med brandfare.
- d. **Batterier, der ikke er i brug, må ikke komme i berøring med andre metalgenstande som f.eks. kontorclips, mønter, nøgler, søm, skruer eller andre små metalgenstande, da disse kan kortslutte kontakterne.** En kortslutning mellem batteripolerne kan medføre forbrændinger eller brand.
- e. **Hvis batteriet anvendes forkert, kan der slippe væske ud af det. Undgå kontakt med denne væske. Hvis der alligevel skulle forekomme kontakt, skylles med vand. Søg læge, hvis væsken kommer i øjnene.** Væske fra batteriet kan give hudirritation eller forbrændinger.

6. Service

- a. **Sørg for, at el-værktøjet kun repareres af kvalificerede fagfolk, og at der kun benyttes originale reservedele.**
Dermed opretholdes el-værktøjets sikkerhed.

Yderligere sikkerhedsanvisninger til batterier og opladere

Batterier

- ◆ Man må aldrig forsøge at åbne et batteri.
- ◆ Udsæt ikke batteriet for vand.
- ◆ Det må ikke opbevares i et lokale, hvor temperaturen overstiger 40 °C.
- ◆ Det må kun oplades ved omgivelsestemperaturer mellem 4 °C og 40 °C.
- ◆ Oplad kun med den vedlagte oplader.
- ◆ Ved bortskaffelse af batterier skal man følge vejledningen i afsnittet "Beskyttelse af miljøet".
- ◆ Under ekstreme forhold kan der forekomme batteriutætheder. Hvis man opdager væske på batteriet, skal man gå frem på følgende måde:
 - Tør forsigtigt væsken af med en klud.
 - Undgå kontakt med huden.
 - I tilfælde af, at væsken kommer i kontakt med huden eller øjnene, skal man følge nedenstående vejledning.
- ◆ **Advarsel!** Batterivæsken, en 25-30% opløsning af kaliumhydroxid, kan være skadelig. Ved hudkontakt skal stedet omgående skylles med vand. Neutraliser med en mild syre såsom citronsaft eller eddike. Rens med rigeligt rent vand i mindst 10 minutter, hvis det kommer i kontakt med øjnene. Opsøg læge.
- ◆ Brænd ikke batteriet.
- ◆ Oplad ikke beskadigede batterier.

Opladere

- ◆ Din Black & Decker lader må kun benyttes til Black & Decker batterier af samme slags, som de med værktøjet leverede batterier. Andre batterier kan eksplodere og derved forårsage personskader og skader på ting.
- ◆ Man må aldrig forsøge at genoplade ikke-opladelige batterier.
- ◆ Defekte ledninger skal straks udskiftes.
- ◆ Udsæt ikke opladeren for vand.
- ◆ Opladeren må ikke åbnes.
- ◆ Opladeren må ikke manipuleres.



Opladeren er kun beregnet til indendørs brug.

El-sikkerhed



Din oplader er dobbelt isoleret. Derfor er jordledning ikke nødvendig. Før brug skal det kontrolleres, at netspændingen svarer til den, der er angivet på typeskiltet. Forsøg aldrig at udskifte opladerenheden med et almindeligt netstik.

Funktioner

Dette værktøj har nogle af eller alle følgende funktioner:

1. Afbryder med variabel hastighedskontrol
2. Højre/venstre omskifter
3. Funktionsvælger / kravet til vridmomentjustering
4. Borepatron
5. Vælger med to gear (CP122K/CP142K)
6. Batteriopladningsindikator
7. Bitsholder
8. Batteri

Fig. A

9. Lader
10. Opladerholder
11. Opladningsindikator - "ladning i gang"
12. Opladningsindikator - "fuld ladning"

Montering

Advarsel! Før montering skal batteriet altid afmonteres.

Isætning og fjernelse af batteriet (fig. B & C)

- ◆ Sæt batteriet (8) i ved at placere det på linje med værktøjets batteriholder. Dernæst placeres batteriet i holderen og skubbes på plads.
- ◆ Tag batteriet ud ved at trykke på udløserknappen (13) samtidig med, at batteriet tages ud af batteriholderen.

Montering af batterihætten (fig. C)

Advarsel! Sæt hætten (14) på batteriet (8) ved transport og opbevaring.

Montering og demontering af en bore- eller skruetrækkerbit (fig. D)

Værktøjet er udstyret med en selvspændende patron for at lette udskiftning af bits.

- ◆ Fastlås værktøjet ved at sætte højre/venstre omskifteren (2) i midterposition.
- ◆ Åbn patronen ved at dreje manchetten (15) med den ene hånd, mens værktøjet holdes med den anden.
- ◆ Sæt bittens stang (16) ind i patronen.
- ◆ Spænd patronen ved at dreje manchetten (15) fast med den ene hånd, mens værktøjet holdes med den anden.

Værktøjet leveres med en dobbelt skruetrækkerbit i bitholderen (7).

- ◆ For at fjerne skruetrækkerbitsen fra bitsholderen skal den løftes ud af holderen.
- ◆ For at opbevare skruetrækkerbitsen skubbes den ind i holderen.

Anvendelse

Advarsel! Lad værktøjet arbejde i dets eget tempo.

Det må ikke overbelastes.

Advarsel! Før der bores i vægge, gulve eller lofter checkes ledningers og rørs placering.

Opladning af batteriet (fig. A)

Batteriet skal oplades, før det tages i brug for første gang, og derefter skal der genoplades når maskinen virker træg og ikke længere arbejder med vanlig præstation. Når batteriet oplades for første gang eller efter en længere periode uden at være brugt, kan det kun oplades 80%. Efter adskillige opladnings- og afladningsperioder opnår batteriet fuld kapacitet. Batteriet kan blive opvarmet under opladning; dette er normalt og er ikke ensbetydende med, at der er problemer.

Advarsel! Batteriet må ikke oplades i omgivelsestemperaturer på under 4 °C eller over 40 °C.

Anbefalet opladningstemperatur: ca. 24 °C.

Brug af 3 times oplader

- ◆ Oplad batteriet (8) ved at fjerne det fra værktøjet og skubbe opladerholderen (10) på plads på batteriet.
- ◆ Sæt opladeren (9) i stikkontakten.

Batteriet bliver varmt under opladningen. Efter ca. 3 timers opladning er batteriet tilstrækkelig opladet til brug til generelle anvendelser. Efter ca. 6 timers opladning er batteriet fuldt opladet.

- ◆ Fjern opladerholderen fra batteriet.

Brug af 1 times opladeren

- ◆ For at oplade batteriet (8), fjernes det fra værktøjet og sættes ind i laderen (9). Batteriet kan kun sættes ind på én måde. Man må ikke tvinge det. Man skal sikre sig, at batteriet er fuldstændig indsat i laderen.
- ◆ Sæt laderen i stikkontakten.
- ◆ Check, at den røde opladningsindikator (11) lyser. Hvis den grønne ende af opladningsindikatoren (12) lyser, betyder det, at batteriet er for varmt og derfor ikke kan oplades. Hvis dette sker, fjernes batteriet fra opladeren og køles ned i ca. 1 time, hvorefter det kan sættes i opladeren igen.

Efter ca. 1 times opladning holder den røde opladningsindikator (11) op med at lyse, og den grønne ende af opladningsindikatoren (12) lyser. Batteriet er nu fuldt opladet.

- ◆ Fjern batteriet fra opladeren.

Kontrol af batteriets tilstand (fig. E)

Denne maskine er udstyret med en opladningsindikator til batteriet, hvorpå du kan kontrollere hvornår batteriet trænger til ny opladning.

- ◆ Tryk på knappen (17), og hold den nede.
- ◆ Kontrollér, hvor mange af lamperne (18) der lyser:

	Batteriopladning
1 lampe	lav
2 lamper	medium
3 lamper	høj

Valg af rotationsretningen (fig. F)

Til boring og stramning af skruer benyttes fremadrotation (med uret). Til løsning af skruer eller fjernelse af blokerede borebits bruges bagudrotation (mod uret).

- Vælg fremadrotation ved at skubbe fremad/bagud skyderen (2) til venstre.
- Vælg bagudrotation ved at skubbe fremad/bagud skyderen til højre.
- For at låse værktøjet sættes højre/venstre omskifteren i midten.

Valg af funktionstilstand eller vridmoment (fig. G)

Værktøjet er udstyret med en krave til valg af funktionstilstanden og til indstilling af vridmomentet til stramning af skruer. Store skruer og hårde arbejdsemner kræver en højere vridmomentindstilling end små skruer og bløde arbejdsemner. Kraven har mange indstillinger til ethvert behov.

- Hvis man vil bore i træ, metal og plastic, indstilles kraven (3) på borepositionen ved at sætte **A** ud for markeringen (19).
- Hvis man ønsker at skruer skruer, indstilles kraven på den ønskede position. Hvis ikke man kender den korrekte indstilling, skal man gå frem som angivet nedenfor:
 - Indstil kraven (3) på det laveste vridmoment.
 - Stram den første skrue.
 - Hvis ikke man opnår det ønskede resultat, øges kravens indstilling, og man fortsætter med at stramme skruen. Proceduren gentages, indtil man opnår det ønskede resultat. Denne indstilling benyttes til resten af skrueerne.

CP122K/CP142K - Boring i murværk (fig. G & H)

- Hvis man vil bore i murværk, indstilles kraven (3) på slagborepositionen ved at sætte **T** ud for markeringen (19).
- Skyd to-gearsvælgeren (5) hen mod forenden af værktøjet (2. gear).

CP122K/CP142K - Vælger med to gear (fig. H)

- Skyd to-gearsvælgeren (5) hen mod bagenden af værktøjet (1. gear) for at bore i stål og for at skruer skruer i.
- Skyd to-gearsvælgeren (5) hen mod forenden af værktøjet (2. gear) for at bore i alle andre materialer end stål.

Boring/skruetrækning (fig. A)

- Man vælger højre- eller venstrotation ved hjælp af højre/venstre omskifteren (2).
- For at tænde værktøjet trykkes på afbryderen (1). Værktøjets hastighed afhænger af, hvor langt ind man trykker afbryderen.

- Sluk for værktøjet ved at slippe afbryderkontakten.

Gode råd til optimalt brug

Boring

- Man skal altid trykke let nedad i lige linie med borebitsen.
- Lige før borespidsen går igennem arbejdsemnets bagside, lettes trykket på værktøjet.
- Benyt en trækloids til at støtte bagsiden af arbejdsemner, som kan splintre.
- Benyt spadebits, når der bores huller med stor diameter i træ.
- Benyt HSS borebits, når der bores i metal.
- Benyt murbor til boring i blødt murværk.
- Benyt smøremiddel, når der bores i metal, som ikke er støbejern eller messing.
- Lav et prøvehul ved at benytte en kørner i centrum af det hul, som skal bores, for således at forbedre nøjagtigheden.

Anvendelse som skruetrækker

- Man skal altid benytte skruetrækkerbits af korrekt type og størrelse.
- Hvis skrueerne er svære at stramme, kan man påsmøre en smule sæbe som smøremiddel.
- Værktøjet og skruetrækkerbit'en skal altid holdes lige på skruen.

Vedligeholdelse

Black & Decker værktøjet er blevet designet til at være i drift gennem en længere periode med en minimal vedligeholdelse. Fortsat tilfredsstillende drift afhænger af korrekt behandling af værktøjet samt regelmæssig rengøring. Opladeren kræver ingen anden vedligeholdelse end regelmæssig rengøring.

Advarsel! Før udførelse af vedligeholdelsesopgaver på værktøjet, skal batteriet fjernes. Tag opladeren ud af stikkontakten, før den rengøres.

- Man skal regelmæssigt rengøre værktøjets ventilationshuller og oplader med en blød børste eller en tør klud.
- Man skal regelmæssigt gøre motorhuset rent med en fugtig klud. Man må ikke bruge slibemidler eller opløsningsmidler.
- Man skal regelmæssigt åbne patronen og banke den let for på denne måde at fjerne støv fra dens indre.

Beskyttelse af miljøet



Separat indsamling. Dette produkt må ikke bortskaffes sammen med almindeligt husholdningsaffald.

Hvis du en dag skal udskifte dit Black & Decker produkt, eller hvis du ikke skal bruge det længere, må du ikke bortskaffe det sammen med husholdningsaffald. Dette produkt skal være tilgængeligt for separat indsamling.



Separat indsamling af brugte produkter og emballage gør det muligt at genbruge materialer. Genbrugte materialer forebygger miljøforurening og nedbringer behovet for råstoffer.

Lokale regler kan give mulighed for separat indsamling af elektriske husholdningsprodukter på kommunale lossepladser eller hos den forhandler, som du købte produktet af.

Black & Decker har en facilitet til indsamling og genbrug af Black & Decker-produkter, når deres levetid er slut. Få fordelene ved denne service ved at returnere produktet til en autoriseret tekniker, der samler værktøj sammen på vores vegne.

Du kan få oplyst den nærmeste autoriserede tekniker ved at kontakte det lokale Black & Decker-kontor på den adresse, der er angivet i denne brugsanvisning. Alternativt findes der en liste over autoriserede Black & Decker-teknikere og oplysninger om vores eftersalgsservice og kontaktpersoner på Internettet på adressen: www.2helpU.com

Batterier



Black & Decker batterier kan oplades mange gange. Ved endt teknisk levetid skal man kassere dem med omtanke for miljøet:

- Aflad batteriet fuldstændigt, og fjern det derefter fra værktøjet.
- NiCd- og NiMH-batterier kan genbruges. Bring dem til en autoriseret tekniker eller en lokal genbrugscentral.

Lader	3 time	1 time
Spænding	V_{AC} 230	230
Opladningstid (ca.)	t 3	1

Tekniske data

		CP12	CP122	CP14	CP142
Spænding	V_{DC}	12	12	14,4	14,4
Ubelastet hastighed	min^{-1}	0-700	0-400/0-1300	0-750	0-400/0-1300
Maks. vridmoment	Nm	16	20	17	21
Patronkapacitet	mm	10	10	10	10
Max. borekapacitet i stål/træ/murværk	mm	10	10	10	10
Kat. nr. batteri		A12	A12	A14	A14
Kapacitet	Ah	1,5	1,5	1,5	1,5
Vægt	kg	1,7	1,8	1,7	1,8

EU overensstemmelseserklæring

CP12/CP122/CP14/CP142

Black & Decker erklærer, at disse produkter er i overensstemmelse med følgende:
EN 50260, EN 55014, EN 60335, EN 61000

L_{pA} (lydtryk) 68 dB(A), L_{WA} (lydintensitet) 79 dB(A),
hånd/arm vægget vibration < 2,5 m/s²

K_{pA} (lydtryk usikkerhed) 3 dB(A),
 K_{WA} (lydintensitet usikkerhed) 3 dB(A)

Kevin Hewitt
Director of Consumer Engineering
Spennymoor, County Durham DL16 6JG,
Storbritannien
1-5-2005

Reserve dele / reparationer

Reserve dele kan købes hos autoriserede Black & Decker serviceværksteder, som giver forslag til omkostninger og reparerer vore produkter. Oversigt over vore autoriserede værksteder findes på internettet på vor hjemmeside www.blackanddecker.dk samt www.2helpU.com

Garanti

Black & Decker garanterer, at produktet er fri for materielle skader og/eller fabriksfejl ved levering til kunden. Garantien er et tillæg til konsumentens lovlige rettigheder og påvirker ikke disse. Garantien gælder indenfor medlemsstaterne af den Europæiske Union og i det Europæiske Frihandelsområde.

Hvis et Black & Decker produkt går i stykker på grund af materiel skade og/eller fabriksfejl eller på anden måde ikke fungerer i overensstemmelse med specifikationen, inden for 24 måneder fra købsdatoen, påtager Black & Decker sig at reparere eller ombytte produktet med mindst muligt besvær for kunden.

Garantien gælder ikke for fejl og mangler, der er sket i forbindelse med:

- ◆ normal slitage
- ◆ uheldige følger efter unormal anvendelse af værktøjet
- ◆ overbelastning, hærværk eller overdrevent intensivt brug af værktøjet
- ◆ ulykkeshændelse

Garantien gælder ikke hvis reparationer er udført af nogen anden end et autoriseret Black & Decker værksted.

For at udnytte garantien skal produktet og købskvitteringen indleveres til forhandleren eller til et autoriseret værksted, senest 2 måneder efter at fejlen opdages. For information om nærmeste autoriserede værksted: kontakt det lokale Black & Decker kontor på den adresse som er opgivet i brugsanvisningen. Liste over alle autoriserede Black & Decker serviceværksteder samt servicevilkår er tilgængelig på internettet, på adressen **www.2helpU.com**

Gå venligst ind på vores website **www.blackanddecker.dk** for at registrere dit nye produkt og for at blive holdt ajour om nye produkter og specialtilbud. Der findes yderligere oplysninger om mærket Black & Decker og vores produktsortiment på adressen **www.blackanddecker.dk**

Käyttötarkoitus

Black & Deckerin akkuporakone/ruuvinväännin CP12K/CP14K on tarkoitettu ruuvaamiseen sekä puun, metallin ja muovin poraamiseen.

Black & Deckerin porakone/ruuvinväännin CP122K/CP142K on suunniteltu ruuvaamiseen sekä puun, metallin, muovien ja betonin poraamiseen.

Kone on tarkoitettu kotikäyttöön.

Yleiset turvallisuutta koskevat säännöt

Varoitus! Kaikki ohjeet täytyy lukea. Alla olevien ohjeiden noudattamisen laiminlyönti saattaa johtaa sähköiskun, tulipaloon ja/tai vakavaan loukkaantumiseen.

Seuraavassa käytetty käsite ”sähkötyökalu” käsittää verkkokäyttöisiä sähkötyökaluja (verkkojohdolla) ja akkukäyttöisiä sähkötyökaluja (ilman verkkojohdtoa).

SÄILYÄ NÄMÄ OHJEET HYVIN.

1. Työalue

- Pidä työskentelyalue puhtaana ja hyvin valaistuna.** Työpaikan epäjärjestys ja valaisemattomat työalueet voivat johtaa tapaturmiin.
- Älä työskentele sähkötyökalulla räjähdyksalttiissa ympäristössä, jossa on palavaa nestettä, kaasua tai pölyä.** Sähkötyökalu muodostaa kipinöitä, jotka saattavat sytyttää pölyn tai höyryt.
- Pidä lapset ja sivulliset loitolla sähkötyökalua käyttäessäsi.** Voit menettää laitteesi hallinnan, huomiosi suuntautuessa muualle.

2. Sähköturvallisuus

- Sähkötyökalun pistotulpan tulee sopia pistorasiaan. Pistotulppaa ei saa muuttaa millään tavalla. Älä käytä mitään pistorasia-adaptoreita maadoitettujen sähkötyökalujen kanssa.** Alkuperäisessä kunnossa olevat pistotulpat ja sopivat pistorasiat vähentävät sähköiskun vaaraa.
- Vältä koskettamasta maadoitettuja pintoja, kuten putkia, pattereita, liesiä tai jääkaappeja.** Sähköiskun vaara kasvaa, jos kehosi on maadoitettu.
- Älä altista sähkötyökalua sateelle tai kosteudelle.** Veden tunkeutuminen sähkötyökalun sisään kasvattaa sähköiskun riskiä.
- Älä käytä verkkojohdtoa väärin. Älä käytä sitä sähkötyökalun kantamiseen, vetämiseen tai pistotulpan irrottamiseen pistorasiasta. Pidä johto loitolla kuumuudesta, öljystä, terävistä reunoista ja liikkuvista osista.** Vahingoittuneet tai sotkeutuneet johdot kasvattavat sähköiskun vaaraa.

- Käyttäessäsi sähkötyökalua ulkona, käytä ainoastaan ulkokäyttöön soveltuvaa jatkojohtoa.** Ulkokäyttöön soveltuvan jatkojohdon käyttö pienentää sähköiskun vaaraa.

3. Henkilöturvallisuus

- Ole valpas, kiinnitä huomiota työskentelyysi ja noudata tervettä järkeä sähkötyökalua käyttäessäsi. Älä käytä sähkötyökalua, jos olet väsynyt tai huumeiden, alkoholin tahi lääkkeiden vaikutuksen alaisena.** Hetken tarkkaamattomuus sähkötyökalua käytettäessä saattaa johtaa vakavaan loukkaantumiseen.
 - Käytä suojavarusteita. Käytä aina suojalaseja.** Suojavarusteet, kuten pölynsuojanaamari, luistamattomat turvajalkineet, kypärä ja kuulosuojaimet pienentävät, tilanteen mukaan oikein käytettynä, loukkaantumisriskiä.
 - Vältä sähkötyökalun tahatonta käynnistämistä. Varmista, että kytkin on off-asennossa ennen kytkennän tekemistä.** Onnettomuusvaara lisääntyy, jos kannat sähkötyökalua sormi käyttökytkimellä tai kytket työkalun virtajohdon pistorasiaan, kun käyttökytkin on päällä.
 - Poista kaikki säätötyökalut ja ruuvitaltat, ennen kuin käynnistät sähkötyökalun.** Työkalu tai avain, joka sijaitsee laitteen pyörivässä osassa, saattaa johtaa loukkaantumiseen.
 - Älä kurkota. Seiso aina tukevasti ja tasapainossa.** Täten voit paremmin hallita sähkötyökalua odottamattomissa tilanteissa.
 - Käytä tarkoitukseen soveltuvia vaatteita. Älä käytä löysiä työvaatteita tai koruja. Pidä hiukset, vaatteet ja käsinneet loitolla liikkuvista osista.** Väljät vaatteet, korut ja pitkät hiukset voivat takertua liikkuviin osiin.
 - Jos pölynimu- ja keräilylaitteita voidaan asentaa työkaluun, sinun pitää tarkistaa, että ne on liitetty ja että niitä käytetään oikealla tavalla.** Näiden laitteiden käyttö vähentää pölyn aiheuttamia vaaroja.
- Sähkötyökalujen käyttö ja hoito**
 - Älä ylikuormita laitetta. Käytä kyseiseen työhön tarkoitettua sähkötyökalua.** Sopivaa sähkötyökalua käyttäen työskentelet paremmin ja varmemmin tehoalueella, jolle sähkötyökalu on tarkoitettu.
 - Älä käytä sähkötyökalua, jota ei voida käynnistää ja pysäyttää virtakytkimestä.** Sähkötyökalu, jota ei enää voida käynnistää ja pysäyttää käynnistyskytkimellä, on vaarallinen ja se täytyy korjata.
 - Irrota pistotulppa pistorasiasta, ennen kuin suoritat säätöjä, vaihdat tarvikkeita tai siirrä sähkötyökalun varastoitavaksi.** Nämä turvatoimenpiteet pienentävät sähkötyökalun tahattoman käynnistysriskin.

- d. **Säilytä sähkötyökalut poissa lasten ulottuvilta, kun niitä ei käytetä. Älä anna sellaisten henkilöiden käyttää sähkötyökalua, jotka eivät tunne sitä tai jotka eivät ole lukeneet tätä käyttöohjetta.** Sähkötyökalut ovat vaarallisia, jos niitä käyttävät kokemattomat henkilöt.
- e. **Hoida sähkötyökalusi huolella. Tarkista, että liikkuvat osat toimivat moitteettomasti, eivätkä ole puristuksessa ja että työkalussa ei ole murtuneita tai vahingoittuneita osia, jotka saattaisivat vaikuttaa haitallisesti sen toimintaan. Korjautattaa mahdolliset viat ennen käyttöönottoa.** Moni tapaturma aiheutuu huonosti huolletuista laitteista.
- f. **Pidä leikkausterät terävinä ja puhtaina.** Huolellisesti hoidetut leikkaustyökalut, joiden leikkausreunat ovat teräviä, eivät tartu helposti kiinni ja niitä on helpompi hallita.
- g. **Käytä sähkötyökaluja, tarvikkeita, vaihtotyökaluja jne. näiden ohjeiden mukaisesti ja tavalla, joka on tarkoitettu erityisesti kyseiselle sähkötyökalulle. Ota tällöin huomioon työolosuhteet ja suoritettava toimenpide.** Sähkötyökalun käyttö muuhun kuin sille määrättyyn käyttöön, saattaa johtaa vaarallisiin tilanteisiin.
5. **Akkukäyttöisten työkalujen käyttö ja hoito**
- a. **Varmista, että sähkötyökalu on poiskytketty, ennen kuin asennat akun siihen.** Akun asennus sähkötyökaluun, jonka käynnistyskytkin on käyntiasennossa altistaa onnettomuuksille.
- b. **Lataa akku vain valmistajan määrätelmässä laturissa.** Laturi, joka soveltuu määrättytyypiselle akulle, saattaa muodostaa tulipalovaaran erilaista akkua ladattaessa.
- c. **Käytä sähkötyökalussa ainoastaan kyseiseen sähkötyökaluun tarkoitettua akkua.** Jonkun muun akun käyttö saattaa johtaa loukkaantumiseen ja tulipaloon.
- d. **Pidä irrallista akkua loitolla metalliesineistä, kuten paperinliittimistä, koloista, avaimista, nauloista, ruuveista tai muista pienistä metalliesineistä, jotka voivat oikosulkea akun koskettimet.** Akkukoskettimien välinen oikosulku saattaa aiheuttaa palovammoja tai johtaa tulipaloon.
- e. **Väärästä käytöstä johtuen saattaa akusta vuotaa nestettä, jota ei tule koskettaa. Jos nestettä vahingossa joutuu iholle, huuhtelee kosketuskohta vedellä. Jos nestettä pääsee silmiin, tarvitaan tämän lisäksi lääkärin apua.** Akusta vuotava neste saattaa aiheuttaa ärsytystä ja palovammoja.

6. Huolto

- a. **Anna koulutettujen ammattitaitoisten henkilöiden korjata sähkötyökalusi ja hyväksy korjauksiin vain alkuperäisiä varaosia.** Täten varmistat, että sähkötyökalu säilyy turvallisena.

Lisäturvaohjeet akuille ja latureille

Akut

- ◆ Älä koskaan yritä avata akkua.
- ◆ Älä altista akkua vedelle.
- ◆ Älä säilytä akkua paikassa, jonka lämpötila saattaa ylittää +40 °C.
- ◆ Lataa akku ainoastaan lämpötilan ollessa 4 °C - +40 °C.
- ◆ Lataa akku käyttäen ainoastaan koneen mukana toimitettua laturia.
- ◆ Kun poistat akun käytöstä, noudata kappaleessa "Ympäristö" annettuja ohjeita.
- ◆ Ääriolosuhteissa akku saattaa vuotaa. Kun havaitset akusta tulevan nestettä, toimi seuraavasti:
 - Kuivaa neste varovasti pois siivousliinalla. Vältä nesteen joutumista iholle.
 - Mikäli nestettä joutuu iholle tai silmiin, noudata alla olevia ohjeita.
- ◆ **Varoitus!** Akkuneste (25-30 % kaliumhydroksidiliuosta) saattaa olla haitallista. Jos akkunestettä pääsee iholle, huuhto se välittömästi vedellä. Neutralisoi akkuneste esim. etikalla tai sitruunamehulla. Jos akkunestettä joutuu silmiin, huuhtelee silmiä runsaalla puhtaalla vedellä vähintään 10 minuutin ajan. Ota yhteys lääkäriin.
- ◆ Älä polta akkua.
- ◆ Älä koskaan yritä ladata viallisia akkua.

Laturit

- ◆ Käytä Black & Decker-laturia ainoastaan koneen mukana toimitetun akun lataamiseen. Muunlaiset akut saattavat räjähtää aiheuttaen henkilö- ja esinevahinkoja.
- ◆ Älä koskaan yritä ladata ei-ladattavia akkua.
- ◆ Vaihda vialliset johdot välittömästi.
- ◆ Älä altista laturia vedelle.
- ◆ Älä avaa laturia.
- ◆ Älä vahingoita laturia.



Laturi on tarkoitettu vain sisäkäyttöön.

Sähköturvallisuus



Laturi on kaksoiseristetty; siksi erillistä maadoitusta ei tarvita. Tarkista aina ennen laitteen käyttöä, että verkkojännite vastaa arvokilvessä ilmoitettua jännitettä. Älä koskaan yritä vaihtaa laturia normaaliin verkkovirtapistokkeeseen.

Yleiskuvaus

Tällä koneella on kaikki tai joiakin seuraavista ominaisuuksista.

1. Virrankatkaisija portaattomalla nopeudensäädöllä
2. Suunnanvaihtokytkin
3. Porausasennon valitsin / vääntömomentin säädin
4. Istukka
5. Vaihteenvalitsin (CP122K/CP142K)
6. Akun latauksen tunnistin
7. Terän pidike
8. Akku

Kuva A

9. Laturi
10. Laturiliitäntä
11. Latausvalo - lataus käynnissä
12. Latausvalo - akku täynnä

Kokoaminen

Varoitus! Poista akku koneesta aina ennen kokoamista.

Akun kiinnittäminen ja irrottaminen (kuvat B & C)

- ◆ Kiinnitä akku (8) asettamalla se koneen liitännän kanssa samaan linjaan. Liu'uta akkua liitäntään, kunnes se lukittuu paikalleen.
- ◆ Poista akku painamalla vapautusnappia (13) samanaikaisesti, kun vedät akkua irti.

Akun kannen kiinnittäminen (kuva C)

Varoitus! Kiinnitä kansi (14) akkuun (8) kuljetusta ja säilytystä varten.

Poranterien ja ruuvitaltojen kiinnitys ja poisto (kuva D)

Koneessa on pikaistukka, jonka avulla terien vaihtaminen on helppoa.

- ◆ Lukitse työkalu laittamalla suunnanvaihtokytkin (2) keskiasentoon.
- ◆ Avaa istukka kiertämällä pidikettä (15) toisella kädellä samalla, kun pidät toisella kädellä kiinni työkalusta.
- ◆ Laita tarvike (16) istukkaan.
- ◆ Kiristä istukka kiertämällä pidikettä (15) toisella kädellä samalla, kun pidät toisella kädellä kiinni työkalusta.

Koneen ruuvitaltan pidikkeessä (7) on kaksipäinen ruuvitalta.

- ◆ Irrota ruuvitalta poistamalla se pidikkeestä.
- ◆ Laita ruuvitalta takaisin painamalla se kunnolla pidikkeeseen.

Käyttö

Varoitus! Anna koneen käydä omaan tahtiinsa.

Älä ylikuormita sitä.

Varoitus! Ennen seinien, lattioiden tai kattojen poraamista tarkista sähköjohtojen ja putkistojen sijainnit.

Akun lataaminen (kuva A)

Akku tulee ladata ennen ensimmäistä käyttökertaa ja aina silloin, kun se ei enää riittävästi virtaa toimintoihin, jotka aikaisemmin hoituivat helposti. Ladatessasi akkua ensimmäistä kertaa tai pitkäaikaisen säilytyksen jälkeen, latautuu se vain 80 %:sesti. Usean lataamis- ja tyhjentyiskerran jälkeen akku saavuttaa täyden kapasiteettinsa. Akku voi lämmetä ladattaessa; tämä on normaalia eikä ole merkinä minkäänlaisesta ongelmasta.

Varoitus! Älä lataa akkua alle +4 °C tai yli +40 °C asteen lämpötiloissa. Suositeltu lämpötila lataamiseen on noin +24 °C.

3 tunnin laturin käyttäminen

- ◆ Ladataksesi akun (8) poista se koneesta ja työnnä laturiliitäntä (10) akkuun.
- ◆ Liitä laturi (9) virtalähteeseen.

Akku lämpenee latauksen aikana. Akku on latautunut riittävän täyteen normaalia käyttöä varten noin 3 tunnin lataamisen jälkeen. Akku on latautunut täyteen noin 6 tunnin latauksen jälkeen.

- ◆ Poista akku laturista.

1 tunnin laturin käyttö

- ◆ Akun (8) lataamiseksi poista se koneesta ja aseta se laturiin (9). Akku sopii laturiin vain yhdessä asennossa.

Älä laita sitä laturiin väkisin. Varmista, että akku on kunnolla laturissa.

- ◆ Liitä laturi virtalähteeseen.
- ◆ Tarkista, että punainen latausvalo (11) palaa. Mikäli vihreä latausvalo (12) palaa punaisen sijasta, akku on liian kuuma, eikä sitä voi ladata. Jos näin tapahtuu, poista akku laturista, anna sen jäähtyä noin tunnin ajan ja aseta se sitten takaisin.

Noin tunnin lataamisen jälkeen punainen latausvalo (11) sammuu ja vihreä latausvalo (12) syttyy. Akku on nyt latautunut täyteen.

- ◆ Poista akku laturista.

Akun kunnan tarkistaminen (kuva E)

Koneessa on akun latauksen tunnistin, jonka avulla voidaan tarkistaa jäljellä oleva laatus.

- ◆ Paina nappia (17) ja pidä se alhaalla.
- ◆ Tarkista, montako valoa (18) palaa:

	Akun lataustila
1 valo	alhainen
2 valoa	keskivälissä
3 valoa	korkea

Pyörimissuunnan valitseminen (kuva F)


Käytä eteenpäin (myötöpäivään) suuntautuvaa pyörimisliikettä poraamiseen ja ruuvien kiristämiseen.

Käytä taaksepäin (vastapäivään) suuntautuvaa pyörimisliikettä ruuvien tai jumiutuneen poranterän irrottamiseen.


- ◆ Valitaksesi pyörimissuunnan eteenpäin siirrä suunnanvaihtokytkintä (2) vasemmalle.
- ◆ Kun haluat vaihtaa pyörimissuunnan taaksepäin, siirrä suunnanvaihtokytkintä oikealle.
- ◆ Lukitse kone asettamalla suunnanvaihtokytkin keskiasentoon.

Käyttöasennon ja vääntömomentin valitseminen (kuva G)

Koneessa on säädin, jolla valitaan porausasento tai vääntömomentti ruuvien kiristämistä varten. Isot ruuvit ja kovat materiaalit vaativat suuremman momentin kuin pienet ruuvit ja pehmeät materiaalit. Säätimessä on monia valintamahdollisuuksia eri käyttötarkoituksia varten.

- ◆ Jos aiot porata puuta, metallia tai muoveja, aseta säädin (3) porausasentoon siirtämällä merkki  kohdakkain nuolen (19) kanssa.
- ◆ Ruuvaamista varten aseta säädin haluttuun momenttiin. Jos et tiedä vielä oikeaa momentiasetusta, toimi seuraavalla tavalla:
 - ◆ Aseta säädin (3) pienimmälle momentille.
 - ◆ Kiristä ensimmäinen ruuvi.
 - ◆ Jos momentti ei riitä ruuvien ruuvaukseen, lisää momenttia ja jatka ruuvien kiristämistä. Toista toimenpide, kunnes löydät oikean momentin. Käytä samaa momenttia jäljellä olevien ruuvien kiristämiseen.

CP122K/CP142K – Betonin poraus (kuva G & H)

- ◆ Jos aiot porata betonia, aseta säädin (3) iskuporausasentoon siirtämällä merkki  kohdakkain nuolen (19) kanssa.
- ◆ Siirrä vaihtenvalitsinta (5) eteenpäin koneen etuosaa kohti (2. vaihde).

CP122K/CP142K - Vaihtenvalitsin (kuva H)

- ◆ Jos aiot porata terästä tai ruuvata, siirrä säädintä (5) koneen takaosaa kohti (1. vaihde).
- ◆ Jos aiot porata muuta kuin terästä, siirrä säädintä (5) koneen etuosaa kohti (2. vaihde).

Poraus ja ruuvaus (kuva A)

- ◆ Valitse suunnanvaihtokytkimellä (2) pyörimissuunnaksi eteen- tai taaksepäin.
- ◆ Käynnistä kone painamalla virrankatkaisijaa (1). Koneen nopeus riippuu siitä, kuinka paljon virrankatkaisijaa painetaan.
- ◆ Sammuta kone päästämällä irti kytkimestä.

Vinkkejä parhaimman tuloksen saamiseksi

Poraus

- ◆ Paina terää kevyesti suoraan työstökappaletta kohti.
- ◆ Vähennä koneen painamista juuri ennen kuin terän kärki tulee ulos työstökappaleen toiselta puolelta.
- ◆ Käytä puunpalaa työstökappaleen alla halkeilun estämiseksi.
- ◆ Käytä litteää puuporanterää poratessasi suuria reikiä puuhun.
- ◆ Käytä HSS-teriä (pikaterästeriä) poratessasi metallia.
- ◆ Käytä betoniteriä poratessasi betonia.
- ◆ Käytä voiteluainetta poratessasi muita metalleja kuin valurautaa tai messinkiä.
- ◆ Tee pistepuikolla aloitusreikä porattavan reiän keskikohtaan, niin porauksen tarkkuus paranee.

Ruuvaus

- ◆ Käytä aina oikean mallista ja -kokoista ruuvinväänintä.
- ◆ Jos ruuvi on hankala kiristää, voidaan voiteluaineena käyttää hiukan nestemäistä pesuainetta tai saippua.
- ◆ Pidä konetta ja ruuvinväänintä aina kohtisuorassa ruuviin nähden.

Huolto

Black & Deckerin kone on suunniteltu toimimaan mahdollisimman pitkän aikaa mahdollisimman vähällä huollolla. Oikealla huollolla ja säännöllisellä puhdistuksella kone säilyttää suorituskykynsä. Laturi ei tarvitse säännöllisen puhdistamisen lisäksi minkään muunlaista huoltoa.

Varoitus! Poista akku ennen työkalun huoltamista. Irrota laturi virtalähteestä ennen puhdistamista.

- ◆ Puhdista koneen ja laturin ilma-aukot säännöllisesti pehmeällä harjalla tai kuivalla siivousliinalla.
- ◆ Puhdista työkalun kuori säännöllisesti kostealla siivousliinalla. Älä koskaan käytä puhdistamiseen liuotaineita tai syövyttäviä puhdistusaineita.
- ◆ Avaa istukka säännöllisin väliajoin ja kopauta sitä pölyjen poistamiseksi sisältä.

Ympäristö



Erillinen keräys. Tätä tuotetta ei saa hävittää normaalin kotitalousjätteen kanssa.

Kun Black & Decker -koneesi on käytetty loppuun, älä hävitä sitä kotitalousjätteen mukana. Tämä tuote on kerättävä erikseen.



Käytettyjen tuotteiden ja pakkausten erillinen keräys mahdollistaa materiaalien kierrätyksen ja uudelleenkäytön.

Kierrätettyjen materiaalien uudelleenkäyttö auttaa ehkäisemään ympäristön saastumisen ja vähentää raaka-aineiden kysyntää.

Paikallisten säännösten mukaisesti on mahdollista viedä kotitalouksien sähkölaitteet kuntien kaatopaikoille tai jättää ne vähittäismyyjälle ostettaessa uusi tuote.

Black & Decker tarjoaa mahdollisuuden Black & Decker – tuotteiden keräykseen ja kierrätykseen sen jälkeen, kun ne on poistettu käytöstä. Jotta voisit hyötyä tästä palvelusta, palauta laitteesi johonkin valtuutettuun huoltoliikkeeseen, joka kerää laitteet meidän puolestamme.

Voit tarkistaa lähimmän valtuutetun huoltoliikkeen sijainnin ottamalla yhteyden Black & Deckerin toimistoon, joka sijaitsee tässä käsikirjassa annetussa osoitteessa. Lista valtuutetuista Black & Decker -huoltoliikkeistä sekä yksityiskohtaiset tiedot korjauspalvelustamme ovat vaihtoehtoisesti saatavilla Internetissä, osoitteessa www.2helpU.com

Akut



Black & Deckerin akut voidaan ladata useaan kertaan. Vie loppuunkäytetyt akut niille tarkoitettuun keräyspaikkaan tai –astiaan:

- Käytä akku täysin loppuun ja poista se sitten työkalusta.
- NiCd- ja NiMH-akut ovat kierrätettäviä. Voit viedä ne mihin tahansa valtuutettuun huoltoliikkeeseen tai paikalliseen kierrätyskeskukseen. Kerätyt akut toimitetaan kierrätykseen tai käsitellään asianmukaisesti.

Laturi		3 tunti	1 tunti
Jännite	V_{AC}	230	230
Latausaika (noin)	h	3	1

Tekniset tiedot

		CP12	CP122	CP14	CP142
Jännite	V_{DC}	12	12	14,4	14,4
Kuormittamaton nopeus	min^{-1}	0-700	0-400/0-1300	0-750	0-400/0-1300
Suurin mahdollinen vääntömomentti	Nm	16	20	17	21
Istukka	mm	10	10	10	10
Max. porausteho teräs/puu/betoni	mm	10	10	10	10
Akun tuotenro		A12	A12	A14	A14
Teho	Ah	1,5	1,5	1,5	1,5
Paino	kg	1,7	1,8	1,7	1,8

EU:n yhdenmukaisuusilmoitus

CP12/CP122/CP14/CP142

Black & Decker vakuuttaa näiden tuotteiden olevan seuraavien standardien vaatimusten mukaisia:

EN 50260, EN 55014, EN 60335, EN 61000

L_{pA} (äänenpaine) 68 dB(A), L_{WA} (akustinen teho) 79 dB(A),
käden/käsivarren painotettu värinä < 2,5 m/s²

K_{pA} (äänenpaineen epävarmuus) 3 dB(A),
 K_{WA} (akustisen tehon epävarmuus) 3 dB(A)

Kevin Hewitt
Director of Consumer Engineering
Spennymoor, County Durham DL16 6JG,
Iso-Britannia
1-5-2005

Korjaukset / varaosat

Mikäli koneeseen tulee vikaa, jätä se aina Black & Deckerin valtuuttamaan huoltoliikkeeseen korjattavaksi (tiedot löytyvät uusimmasta tuoteluettelostamme tai ottamalla yhteyttä Black & Decker Oy:hyn). Varaosia myyvät valtuutetut Black & Deckerin huoltoliikkeet, ja heiltä voi myös pyytää kustannusarvion koneen korjauksesta.

Tiedot valtuutetuista huoltoliikkeistä löytyvät myös internetistä osoitteesta www.2helpU.com sekä kotisivuiltamme www.blackanddecker.fi

Takuu

Black & Decker Oy takaa, ettei koneessa ollut materiaali- ja/ tai valmistusvikaa silloin, kun se toimitettiin ostajalle. Takuu on lisäys kuluttajan laillisiin oikeuksiin eikä vaikuta niihin. Takuu on voimassa Euroopan Unionin jäsenmaissa ja Euroopan vapaakauppa-alueella (EFTA).

Mikäli Black & Decker -kone hajoaa materiaali- ja/ tai valmistusvirheen tai teknisten tietojen epätarkkuuden vuoksi 24 kk:n kuluessa ostopäivästä, Black & Decker korjaa koneen ilman kustannuksia ostajalle tai vaihtaa sen uuteen Black & Decker Oy:n valinnan mukaan.

Takuu ei kata vikoja, jotka johtuvat koneen

- ◆ normaalista kulumisesta
- ◆ ylikuormituksesta, virheellisestä käytöstä tai hoidosta
- ◆ vahingoittamisesta vieraalla esineellä tai aineella tai onnettomuustapauksessa.

Takuu ei ole voimassa, mikäli konetta on korjannut joku muu kuin Black & Deckerin valtuuttama huoltoliike.

Edellytyksenä takuun saamiselle on, että ostaja jättää koneen ja ostokuitin jälleenmyyjälle tai valtuutetulle huoltoliikkeelle viimeistään 2 kuukauden kuluessa vian ilmenemisestä.

Tiedot valtuutetuista huoltoliikkeistä saa ottamalla yhteyttä Black & Decker Oy:hyn sekä internetistä osoitteesta

www.2helpU.com, jossa on myös takuehdot.

Voit vierailla verkkosivullamme **www.blackanddecker.fi**

rekisteröidäksesi uuden Black & Decker-tuotteesi ja saadaksesi tietoa uusista tuotteista ja erikoistarjouksista.

Saat lisätietoja Black & Deckerin tavaramerkistä ja

tuotevalikoimastamme osoitteesta **www.blackanddecker.fi**

Ενδειγμένη χρήση

Το δραπενοκατσάβιδο σας Black & Decker CP12K/CP14K έχει σχεδιαστεί για εφαρμογές βιδώματος και για διάτρηση σε ξύλο, μέταλλο και πλαστικά.

Το δραπενοκατσάβιδο σας Black & Decker CP122K/CP142K έχει σχεδιαστεί για εφαρμογές βιδώματος και για διάτρηση σε ξύλο, μέταλλο, πλαστικά και μαλακή τοιχοποιία.

Αυτο το εργαλείο προορίζεται μόνο για ερασιτεχνική χρήση.

Γενικοί κανόνες ασφαλείας

Προειδοποίηση! Διαβάστε όλες τις υποδείξεις. Η μη τήρηση όλων των παρακάτω υποδείξεων μπορεί να προκαλέσει ηλεκτροπληξία, πυρκαγιά ή/και σοβαρούς τραυματισμούς. Ο χαρακτηρισμός “ηλεκτρικό εργαλείο” που χρησιμοποιείται στις παρακάτω προειδοποιητικές υποδείξεις αφορά ή το εργαλείο που συνδέεται στην πρίζα (με καλώδιο) ή το εργαλείο που λειτουργεί με μπαταρία (χωρίς καλώδιο). ΦΥΛΑΞΤΕ ΑΥΤΕΣ ΤΙΣ ΟΔΗΓΙΕΣ.

1. Χώρος εργασίας

- Διατηρείτε το χώρο που εργάζεστε καθαρό και καλά φωτισμένο.** Η αταξία στο χώρο που εργάζεστε και τα σημεία χωρίς καλό φωτισμό μπορεί να οδηγήσουν σε ατυχήματα.
- Μη χρησιμοποιείτε τα ηλεκτρικά εργαλεία σε περιβάλλον όπου υπάρχει κίνδυνος έκρηξης, π.χ. παρουσία εύφλεκτων υγρών, αερίων ή σκόνης.** Τα ηλεκτρικά εργαλεία μπορεί να δημιουργήσουν σπινθηρισμό ο οποίος μπορεί να αναφλέξει τη σκόνη ή τις αναθυμιάσεις.
- Όταν χρησιμοποιείτε το ηλεκτρικό εργαλείο, κρατάτε τα παιδιά και τα υπόλοιπα άτομα μακριά από το χώρο που εργάζεστε.** Σε περίπτωση που άλλα άτομα αποσπάσουν την προσοχή σας μπορεί να χάσετε τον έλεγχο του μηχανήματος.

2. Ηλεκτρική ασφάλεια

- Το φως του καλωδίου του ηλεκτρικού εργαλείου πρέπει να ταιριάζει στην αντίστοιχη πρίζα. Δεν επιτρέπεται με κανένα τρόπο η μετασκευή του φως. Μη χρησιμοποιείτε προσαρμοστικά φως στα γειωμένα ηλεκτρικά εργαλεία.** Τα φως που δεν έχουν υποστεί τροποποιήσεις και οι κατάλληλες πρίζες μειώνουν τον κίνδυνο ηλεκτροπληξίας.
- Αποφύγετε την επαφή του σώματός σας με γειωμένες επιφάνειες όπως σωλήνες, θερμαντικά σώματα (καλοριφέρ), κουζίνες και ψυγεία.** Όταν το σώμα σας είναι γειωμένο, αυξάνεται ο κίνδυνος ηλεκτροπληξίας.
- Μην εκθέτετε το ηλεκτρικό εργαλείο στη βροχή ή την υγρασία.** Η διείσδυση νερού στο ηλεκτρικό εργαλείο αυξάνει τον κίνδυνο ηλεκτροπληξίας.

- Μην κακομεταχειρίζεστε το καλώδιο. Μη χρησιμοποιήσετε ποτέ το καλώδιο για να μεταφέρετε, να τραθήξετε ή να αποσυνδέσετε το εργαλείο από την πρίζα. Κρατάτε το καλώδιο μακριά από υψηλές θερμοκρασίες, λάδια, κοφτερές ακμές ή κινούμενα εξαρτήματα.** Τυχόν χαλασμένα ή μπερδεμένα καλώδια αυξάνουν τον κίνδυνο ηλεκτροπληξίας.
- Όταν χρησιμοποιείτε το ηλεκτρικό εργαλείο σε εξωτερικούς χώρους, να χρησιμοποιείτε πάντοτε προεκτάσεις (μπαλαντέζες) που έχουν εγκριθεί για χρήση σε εξωτερικούς χώρους.** Η χρήση προεκτάσεων εγκριμένων για εργασία σε εξωτερικούς χώρους μειώνει τον κίνδυνο ηλεκτροπληξίας.

3. Ασφάλεια προσώπων

- Όταν χρησιμοποιείτε το ηλεκτρικό εργαλείο, να είστε προσεκτικοί, να δίνετε προσοχή στην εργασία που κάνετε και να επιστρατεύετε την κοινή λογική. Μη χρησιμοποιείτε το ηλεκτρικό εργαλείο όταν είστε κουρασμένοι ή όταν θρίσκεστε υπό την επίρεια ναρκωτικών, οινοπνεύματος ή φαρμάκων.** Μια στιγμιαία απροσεξία κατά το χειρισμό του ηλεκτρικού εργαλείου μπορεί να οδηγήσει σε σοβαρούς τραυματισμούς.
- Να χρησιμοποιείτε εξοπλισμό ασφαλείας. Να φοράτε πάντα προστατευτικά γυαλιά.** Ο κίνδυνος τραυματισμών μειώνεται όταν χρησιμοποιείτε εξοπλισμό ασφαλείας, όπως μάσκα προστασίας από σκόνη, αντιολισθητικά παπούτσια ασφαλείας, κράνη ή ωτασπίδες, ανάλογα με τις συνθήκες εργασίας.
- Αποφύγετε την αθέλητη θέση σε λειτουργία του ηλεκτρικού εργαλείου. Βεβαιωθείτε, ότι ο διακόπτης λειτουργίας βρίσκεται στη θέση “OFF” πριν συνδέσετε το ηλεκτρικό εργαλείο στην πρίζα.** Αν μεταφέρετε το ηλεκτρικό εργαλείο έχοντας το δάκτυλό σας πάνω στο διακόπτη λειτουργίας ή αν συνδέσετε το ηλεκτρικό εργαλείο στην πρίζα όταν ο διακόπτης λειτουργίας βρίσκεται στη θέση “ON”, αυτό μπορεί να οδηγήσει σε σοβαρούς τραυματισμούς.
- Πριν θέσετε το ηλεκτρικό εργαλείο σε λειτουργία, αφαιρέστε τυχόν εργαλεία ή κλειδιά ρύθμισης.** Ενα εργαλείο ή κλειδί συναρμολογημένο στο περιστρεφόμενο εξάρτημα ενός ηλεκτρικού εργαλείου μπορεί να προκαλέσει τραυματισμούς.
- Μην τεντώνεστε. Φροντίστε πάντοτε να έχετε την κατάλληλη στάση και να διατηρείτε την ισορροπία σας.** Αυτό σας επιτρέπει τον καλύτερο έλεγχο του ηλεκτρικού εργαλείου σε περιπτώσεις απροσδόκτων καταστάσεων.
- Φοράτε κατάλληλη ενδυμασία εργασίας. Μη φοράτε φορδιά ρούχα ή κοσμήματα. Κρατάτε τα μαλλιά, τα ενδύματα και τα γάντια σας μακριά από τα κινούμενα εξαρτήματα.** Τα φορδιά ρούχα, τα κοσμήματα και τα μακριά μαλλιά μπορεί να εμπλακούν στα κινούμενα εξαρτήματα.

- g. Αν προβλέπονται διατάξεις απαγωγής και συλλογής της σκόνης, δεβαιωθείτε ότι είναι συνδεδεμένες και ότι χρησιμοποιούνται σωστά.** Η χρήση τέτοιων διατάξεων μειώνει τους κινδύνους που προέρχονται από τη σκόνη.
- 4. Χρήση και συντήρηση του ηλεκτρικού εργαλείου**
- a. Μην υπερφορτώνετε το ηλεκτρικό εργαλείο.** Χρησιμοποιείτε για την εκάστοτε εργασία σας το ηλεκτρικό εργαλείο που προορίζεται γι' αυτήν. Με το κατάλληλο ηλεκτρικό εργαλείο εργάζεσθε καλύτερα και ασφαλέστερα στην ονομαστική περιοχή ισχύος του.
- b. Μη χρησιμοποιήσετε ποτέ ένα ηλεκτρικό εργαλείο του οποίου ο διακόπτης λειτουργίας είναι χαλασμένος.** Ένα ηλεκτρικό εργαλείο του οποίου η λειτουργία δεν μπορεί να ελεγχθεί με το διακόπτη είναι επικίνδυνο και πρέπει να επισκευαστεί.
- c. Βγάλτε το φως από την πρίζα πριν διεξάγετε κάποια εργασία ρύθμισης στο ηλεκτρικό εργαλείο, πριν αλλάξετε κάποιο εξάρτημα ή όταν πρόκειται να το αποθηκεύσετε.** Αυτά τα προληπτικά μέτρα ασφαλείας μειώνουν τον κίνδυνο να τεθεί το μηχανήμα αθέλητα σε λειτουργία.
- d. Να φυλάτε τα ηλεκτρικά εργαλεία που δεν χρησιμοποιείτε μακριά από παιδιά. Μην αφήνετε άτομα που δεν είναι εξοικειωμένα με το ηλεκτρικό εργαλείο ή που δεν έχουν διαβάσει αυτές τις οδηγίες χρήσης να το χρησιμοποιήσουν.** Τα ηλεκτρικά εργαλεία είναι επικίνδυνα όταν χρησιμοποιούνται από άπειρα άτομα.
- e. Να συντηρείτε τα ηλεκτρικά εργαλεία. Ελέγξτε εάν τα κινούμενα μέρη είναι σωστά ευθυγραμμισμένα ή αν έχουν μπλοκάρει, εάν έχουν σπάσει κομμάτια και εάν πληρούνται όλες οι υπόλοιπες συνθήκες που ενδεχομένως να επηρεάσουν τη σωστή λειτουργία του εργαλείου. Δώστε τυχόν χαλασμένα εξαρτήματα του ηλεκτρικού εργαλείου για επισκευή πριν το χρησιμοποιήσετε πάλι.** Η ανεπαρκής συντήρηση των ηλεκτρικών εργαλείων αποτελεί αιτία πολλών ατυχημάτων.
- f. Διατηρείτε τα κοπτικά εργαλεία κοφτερά και καθαρά.** Τα κοπτικά εργαλεία με αιχμηρά κοπτικά άκρα που συντηρούνται σωστά έχουν λιγότερες πιθανότητες να μπλοκάρουν και ελέγχονται ευκολότερα.
- g. Να χρησιμοποιείτε τα ηλεκτρικά εργαλεία, τα εξαρτήματα και τα άκρα των εργαλείων κλπ σύμφωνα με τις παρούσες οδηγίες καθώς και όπως προβλέπεται για τον κάθε τύπο μηχανήματος, λαμβάνοντας υπόψη σας τις συνθήκες εργασίας και την εργασία που θέλετε να εκτελέσετε.** Η χρήση του ηλεκτρικού εργαλείου για άλλες εκτός από τις προβλεπόμενες εργασίες μπορεί να δημιουργήσει επικίνδυνες καταστάσεις.
- 5. Χρήση και συντήρηση του εργαλείου μπαταρίας**
- a. Πριν τοποθετήσετε τη μπαταρία δεβαιωθείτε ότι ο διακόπτης λειτουργίας βρίσκεται στη θέση "OFF".** Η τοποθέτηση της μπαταρίας στο ηλεκτρικό εργαλείο όταν ο διακόπτης λειτουργίας βρίσκεται στη θέση "ON" μπορεί να οδηγήσει σε ατυχήματα.
- b. Να επαναφορτίσετε τις μπαταρίες μόνο με το φορτιστή που προβλέπει ο κατασκευαστής.** Ένας φορτιστής που είναι κατάλληλος για έναν τύπο μπαταρίας μπορεί να προκαλέσει πυρκαγιά όταν χρησιμοποιηθεί για τη φόρτιση κάποιου άλλου τύπου μπαταρίας.
- c. Να χρησιμοποιείτε τα ηλεκτρικά εργαλεία μόνο με τις προβλεπόμενες γι' αυτά μπαταρίες.** Η χρήση μπαταριών διαφορετικού τύπου μπορεί να οδηγήσει σε τραυματισμούς ή πυρκαγιά.
- d. Να φυλάτε τις μπαταρίες που δεν χρησιμοποιείτε μακριά από μεταλλικά αντικείμενα, όπως συνδετήρες χαρτιών, νομίσματα, κλειδιά, καρφιά, βίδες κι άλλα παρόμοια μικροαντικείμενα, τα οποία θα μπορούσαν να γεφυρώσουν τους δυο πόλους.** Τυχόν βραχυκύκλωση των πόλων της μπαταρίας μπορεί να προκαλέσει εγκαύματα ή πυρκαγιά.
- e. Υπό δυσμενείς συνθήκες λειτουργίας μπορεί να διαρρέουσιν υγρά από τη μπαταρία. Αποφεύγετε κάθε επαφή με μια μη στεγανή μπαταρία. Σε περίπτωση ακούσιας επαφής με τα υγρά, ξεπλύνετε αμέσως με νερό. Εκτός από αυτό, αν τα υγρά διεισδύσουν στα μάτια σας, επισκεφτείτε χωρίς καθυστέρηση ένα γιατρό.** Τα διαρρέοντα υγρά των μπαταριών μπορεί να προκαλέσουν ερεθισμούς ή και εγκαύματα.
- 6. Σέρβις**
- a. Το σέρβις του ηλεκτρικού σας εργαλείου πρέπει να αναλαμβάνει έμπειρος τεχνικός που θα χρησιμοποιεί μόνο γνήσια ανταλλακτικά.** Εται εξασφαλίζεται η διατήρηση της ασφάλειας του ηλεκτρικού εργαλείου.

Επιπρόσθετες οδηγίες ασφαλείας για μπαταρίες και φορτιστές

Μπαταρίες

- ◆ Μην επιχειρήσετε ποτέ να την ανοίξετε, για κανένα λόγο.
- ◆ Μην εκθέτετε την μπαταρία σε νερό.
- ◆ Μην την αποθηκεύετε σε χώρους όπου η θερμοκρασία μπορεί να υπερβεί τους 40 °C.
- ◆ Να τη φορτίζετε μόνο σε θερμοκρασία περιβάλλοντος μεταξύ 4 °C και 40 °C.
- ◆ Η φόρτιση πρέπει να γίνεται μόνο με το φορτιστή που παρέχεται με το εργαλείο.
- ◆ Όσον αφορά την απόρριψη των μπαταριών, ακολουθήστε τις οδηγίες που παρατίθενται στην ενότητα "Προστασία του περιβάλλοντος".

- ◆ Σε περίπτωση έκθεσης σε ακραίες συνθήκες, η μπαταρία ενδέχεται να παρουσιάσει διαρροή. Αν παρατηρήσετε υγρά στην μπαταρία, ενεργήστε ως ακολούθως:
 - Σκουπίστε προσεκτικά τα υγρά με ένα πανί. Αποφύγετε την επαφή με το δέρμα.
 - Σε περίπτωση επαφής με το δέρμα ή τα μάτια, ακολουθήστε τις παρακάτω οδηγίες.
- ◆ Προειδοποίηση! Το υγρό μπαταριών, ένα διάλυμα 25-30% υδροξειδίου του καλίου, μπορεί να είναι βλαβερό. Σε περίπτωση δερματικής επαφής, ξεπλύνετε αμέσως με νερό. Εξουδετερώστε με ήπιο οξύ όπως χυμός λεμονιού ή ξίδι. Σε περίπτωση επαφής με τα μάτια, ξεπλύνετε με άφθονο καθαρό νερό για τουλάχιστον 10 λεπτά. Συμβουλευτείτε γιατρό.
- ◆ Μην καίτε την μπαταρία.
- ◆ Μην φορτίζετε κατεστραμμένες μπαταρίες.

Φορτιστές

- ◆ Χρησιμοποιήστε μόνο το φορτιστή της Black & Decker για τη φόρτιση μπαταριών του τύπου που συνοδεύει το εργαλείο σας. Σε άλλες μπαταρίες ενδέχεται να σημειωθεί διάρρηξη, προκαλώντας τραυματισμό και ζημιά.
- ◆ Μην επιχειρήσετε ποτέ να επαναφορτίσετε μη επαναφορτιζόμενες μπαταρίες.
- ◆ Αντικαταστήστε αμέσως τα ελαττωματικά καλώδια.
- ◆ Μην εκθέτετε το φορτιστή σε νερό.
- ◆ Μην ανοίγετε το φορτιστή.
- ◆ Μην επιχειρήσετε να διερευνήσετε το εσωτερικό του φορτιστή.



Ο φορτιστής προορίζεται μόνο για χρήση σε εσωτερικούς χώρους.

Ασφαλής χρήση του ηλεκτρικού ρεύματος



Ο φορτιστής σας φέρει διπλή μόνωση, επομένως δεν απαιτείται σύρμα γείωσης. Ελέγχετε πάντα αν η τάση τροφοδοσίας αντιστοιχεί σε αυτήν που αναγράφεται στην πινακίδα χαρακτηριστικών. Ποτέ μην επιχειρήσετε να υποκαταστήσετε το φορτιστή με κοινή πρίζα ρεύματος.

Χαρακτηριστικά

Το εργαλείο διαθέτει όλα ή ορισμένα από τα εξής χαρακτηριστικά.

1. Διακόπτης μεταβλητής ταχύτητας
2. Συρόμενος διακόπτης εμπρός/πίσω
3. Διακόπτης επιλογής λειτουργίας / κολάρο ρύθμισης ροπής
4. Τσοκ
5. Διακόπτης επιλογής δύο ταχυτήτων (HP122K)
6. Ενδειξη φόρτισης μπαταρίας

7. Υποδοχή συγκράτησης μύτης
8. Μπαταρία

Εικ. Α

9. Φορτιστής
10. Υποδοχή φορτιστή
11. Ενδειξη φόρτισης
12. Ενδειξη τέλους φόρτισης

Συναρμολογηση

Προειδοποίηση! Πριν από τη συναρμολόγηση, αφαιρείτε πάντα την μπαταρία.

Τοποθέτηση και αφαίρεση της μπαταρίας (εικ. Β & C)

- ◆ Για να τοποθετήσετε την μπαταρία (8), ευθυγραμμίστε την με την υποδοχή πάνω στο εργαλείο. Ολισθήστε τη μπαταρία μέσα στη θήκη και σπρώξτε τη μέχρι να κουμπώσει στη θέση της.
- ◆ Για να βγάλετε τη μπαταρία, πατήστε το κουμπί απελευθέρωσης (13) και τραβήξτε ταυτόχρονα τη μπαταρία έξω από τη θήκη.

Τοποθέτηση του καπακιού μπαταρίας (εικ. C)

Προειδοποίηση! Τοποθετήστε το καπάκι (14) στη μπαταρία (8) για μετακίνηση και αποθήκευση.

Τοποθέτηση και αφαίρεση τρυπανιού ή μύτης κατασιδιδιού (εικ. D)

Το εργαλείο αυτό διαθέτει τσοκ χωρίς κλειδί ώστε να διευκολύνεται η αλλαγή εξαρτημάτων.

- ◆ Ασφαλίστε το εργαλείο, θέτοντας το συρόμενο διακόπτη λειτουργίας εμπρός/ανάποδα (2) στην κεντρική θέση.
- ◆ Ανοίξτε στο τσοκ, γυρίζοντας το δακτύλιο (15) με το ένα χέρι και ταυτόχρονα κρατώντας το εργαλείο (111) με το άλλο.
- ◆ Εισάγετε τον άξονα της μύτης (16) μέσα στο τσοκ.
- ◆ Σφίξτε καλά το τσοκ γυρίζοντας το δακτύλιο (15) με το ένα χέρι και ταυτόχρονα κρατώντας το εργαλείο (111) με το άλλο.

Το εργαλείο αυτό συνοδεύεται με μύτη κατασιδιδιού διπλής όψης στην υποδοχή μύτης (7).

- ◆ Για να αφαιρέσετε τη μύτη του κατασιδιδιού από την υποδοχή, ανασηκώστε τη μύτη από την εσοχή.
- ◆ Για να αποθηκεύσετε τη μύτη του κατασιδιδιού, πιέστε την καλά πάνω στην υποδοχή.

Χρήση

Προειδοποίηση! Αφήστε το εργαλείο να λειτουργήσει με το δικό του ρυθμό. Μην το υπερφορτώνετε.

Προειδοποίηση! Πριν από τη διάτρηση τοίχων, διαπέδων ή οροφών, εντοπίστε τις θέσεις όπου βρίσκονται καλώδια και σωληνώσεις.

Φόρτιση της μπαταρίας (εικ. Α)

Η μπαταρία πρέπει να φορτιστεί πριν από την πρώτη χρήση και όποτε δεν μπορεί να παράγει αρκετή ισχύ για εργασίες που παλαιότερα εκτελούνταν με ευκολία. Όταν η μπαταρία φορτίζεται για πρώτη φορά ή μετά από παρατεταμένη αποθήκευση, θα φορτιστεί μόνο κατά το 80%. Μετά από μερικούς κύκλους φόρτισης και αποφόρτισης, η μπαταρία θα αποκτήσει πλήρη χωρητικότητα. Η μπαταρία μπορεί να ζεσταθεί κατά τη φόρτισή της. Αυτό είναι φυσιολογικό και δεν είναι ενδεικτικό κάποιου προβλήματος.

Προειδοποίηση! Μη φορτίζετε τη μπαταρία σε θερμοκρασίες περιβάλλοντος κάτω των 4 °C ή άνω των 40 °C. Συνιστώμενη θερμοκρασία φόρτισης: περίπου 24 °C.

Χρήση του φορτιστή 3 ωρών

- ♦ Για να φορτίσετε τη μπαταρία (8), αφαιρέστε την από το εργαλείο και τοποθετήστε την υποδοχή φόρτισης (10) στη μπαταρία.
- ♦ Βάλτε το φορτιστή (9) στην πρίζα.

Κατά τη φόρτιση, η μπαταρία θα ζεσταθεί. Μετά από περίπου 3 ώρες φόρτισης, η μπαταρία θα είναι ικανοποιητικά φορτισμένη για χρήση σε κανονικές εφαρμογές. Μετά από φόρτιση περίπου 6 ωρών, η μπαταρία θα είναι τελειώς φορτισμένη.

- ♦ Αφαιρέστε την υποδοχή φόρτισης από την μπαταρία.

Χρήση του φορτιστή 1 ώρας

- ♦ Για να φορτίσετε τη μπαταρία (8), αφαιρέστε την από το εργαλείο και τοποθετήστε την στο φορτιστή (9). Η μπαταρία μπαίνει στο φορτιστή κατά ένα τρόπο και μόνο. Μην τη ζορίζετε. Βεβαιωθείτε ότι η μπαταρία έχει εφαρμόσει καλά στο φορτιστή.
- ♦ Βάλτε το φορτιστή στην πρίζα.
- ♦ Ελέγξτε αν ανάβει η κόκκινη ένδειξη φόρτισης (11). Αν, αντί για την κόκκινη ένδειξη, ανάβει τώρα η πράσινη ένδειξη τέλους φόρτισης (12), η μπαταρία είναι ιδιαίτερα ζεστή και δεν μπορεί να φορτιστεί. Αν συμβεί αυτό, αφαιρέστε την μπαταρία από το φορτιστή, αφήστε την να κρυώσει για 1 ώρα περίπου και μετά βάλτε την και πάλι στο φορτιστή.

Μετά από περίπου 1 ώρα φόρτισης, ο κόκκινος δείκτης φόρτισης (11) θα σταματήσει να είναι αναμμένος και θα ανάψει ο πράσινος δείκτης τέλους φόρτισης (12). Η μπαταρία είναι πλέον τελειώς φορτισμένη.

- ♦ Αφαιρέστε τη μπαταρία από το φορτιστή.

Ελεγχος κατάστασης της μπαταρίας (εικ. Ε)

Το εργαλείο αυτό διαθέτει ένδειξη φόρτισης μπαταρίας, η οποία σας επιτρέπει να ελέγξετε την κατάσταση της μπαταρίας.

- ♦ Πατήστε και κρατήστε πατημένο το μπουτόν (17).
 - ♦ Ελέγξτε πόσες από τις λυχνίες είναι αναμμένες (18):
Φόρτιση μπαταρίας
- | | |
|-----------|--------|
| 1 λυχνία | χαμηλή |
| 2 λυχνίες | μεσαία |
| 3 λυχνίες | υψηλή |


Επιλογή της κατεύθυνσης περιστροφής (εικ. F)

Για διάτρηση και για τη σύσφιξη βιδών, χρησιμοποιείτε την περιστροφή προς τα εμπρός (δεξιόστροφη). Για το ξεβιδωμα των βιδών ή για να αφαιρέσετε τρυπάνι που έχει κολλήσει, χρησιμοποιείτε την ανάποδη περιστροφή (αριστερόστροφη).


- ♦ Για να επιλέξετε την ανάποδη περιστροφή (αριστερόστροφη).
- ♦ Για να επιλέξετε την ανάποδη περιστροφή, πιέστε το συρόμενο διακόπτη εμπρός/πίσω (2) προς τα αριστερά.
- ♦ Για να επιλέξετε την ανάποδη περιστροφή, πιέστε το συρόμενο διακόπτη εμπρός/πίσω προς τα δεξιά.
- ♦ Για να ασφαλίσετε το εργαλείο, τοποθετήστε το συρόμενο διακόπτη εμπρός / πίσω στη μεσαία θέση.

Επιλογή της λειτουργίας ή της ροπής (εικ. G)

Το εργαλείο αυτό διαθέτει κολάρο για την επιλογή της κατάστασης λειτουργίας και για τη ρύθμιση της ροπής για σύσφιξη βιδών. Οι μεγάλες βίδες και τα τεμάχια από σκληρό υλικό απαιτούν υψηλότερη ρύθμιση ροπής σε σύγκριση με τις μικρές βίδες και τα τεμάχια από μαλακό υλικό. Το κολάρο αυτό προσφέρει μία μεγάλη κλίμακα ρυθμίσεων ανάλογα με την εφαρμογή σας.

- ♦ Για διάτρηση σε ξύλο, μέταλλο και πλαστικά, θέστε το κολάρο (3) στη θέση διάτρησης ευθυγραμμίζοντας το σύμβολο  με την ένδειξη (19).
- ♦ Για λειτουργία κατασβιδιού, θέστε το κολάρο στην επιθυμητή θέση. Αν δεν γνωρίζετε ακόμη την κατάλληλη θέση που πρέπει να επιλεγεί, ακολουθήστε τα παρακάτω βήματα:
 - ♦ Ρυθμίστε το δακτύλιο (3) στη ρύθμιση της χαμηλότερης ροπής.
 - ♦ Σφίξτε την πρώτη βίδα.
 - ♦ Αν ο συμπλεκτής σταματήσει πριν επιτευχθεί το επιθυμητό αποτέλεσμα, αυξήστε τη ρύθμιση στο δακτύλιο και συνεχίστε να σφίγγετε τη βίδα. Επαναλάβετε τη διαδικασία αυτή μέχρι να επιτύχετε την κατάλληλη ρύθμιση. Με τη ρύθμιση αυτή, βιδώστε τις υπόλοιπες βίδες.

CP122K/CP142K – Διάτρηση σε τοιχοποιία (εικ. G & H)

- ♦ Για διάτρηση σε τοιχοποιία, θέστε το κολάρο (3) στη θέση κρουστικής διάτρησης ευθυγραμμίζοντας το σύμβολο  με την ένδειξη (19).

- ♦ Ολισθήστε το διακόπτη επιλογής δύο ταχυτήτων (5) προς τα εμπρός του εργαλείου (2η ταχύτητα).

CP122K/CP142K - Διακόπτης επιλογής δύο ταχυτήτων (εικ. Η)

- ♦ Για διάτρηση σε χάλυβα και για εφαρμογές βιδώματος, ολισθήστε τον διακόπτη επιλογής δύο ταχυτήτων (5) προς το πίσω μέρος του εργαλείου (1η ταχύτητα).
- ♦ Για διάτρηση σε υλικά άλλα εκτός από τον χάλυβα, ολισθήστε τον διακόπτη επιλογής δύο ταχυτήτων (5) προς το εμπρός μέρος του εργαλείου (2η ταχύτητα).

Διάτρηση/βίδωμα (εικ. Α)

- ♦ Επιλέξτε την περιστροφή εμπρός ή πίσω χρησιμοποιώντας το στροβόμενο διακόπτη εμπρός / πίσω (2).
- ♦ Για να θέσετε σε λειτουργία το εργαλείο, πατήστε το διακόπτη (1). Η ταχύτητα του εργαλείου εξαρτάται από το βαθμό που θα πατήσετε το διακόπτη.
- ♦ Για να θέσετε το εργαλείο εκτός λειτουργίας, αφήστε το διακόπτη.

Συμβουλές για άριστη χρήση

Διάτρηση

- ♦ Να ασκείτε πάντα μια ελαφρά πίεση στην ίδια ευθεία με το τρυπάνι.
- ♦ Μόλις πριν το τρυπάνι βγει από την άλλη πλευρά του τεμαχίου εργασίας, ελαττώστε την ασκούμενη πίεση στο εργαλείο.
- ♦ Χρησιμοποιήστε ένα κομμάτι ξύλο για να στηρίξετε τα τεμάχια εργασίας, των οποίων το υλικό ενδέχεται να εμφανίσει ρωγμές κατά το τρύπημα.
- ♦ Για τη διάτρηση οπών μεγάλης διαμέτρου σε ξύλο, χρησιμοποιήστε τρυπάνι διχαλωτής μορφής.
- ♦ Για τη διάτρηση σε μέταλλο, χρησιμοποιήστε τρυπάνια από ταχυχάλυβα (HSS).
- ♦ Χρησιμοποιήστε τρυπάνια τοίχου κατά τη διάτρηση μαλακής τοιχοποιίας.
- ♦ Χρησιμοποιήστε λιπαντικό κατά τη διάτρηση μετάλλων εκτός από χυτοσίδηρο και ορείχαλκο.
- ♦ Δημιουργήστε μια μικρή εγκοπή με μία πόντα στο κέντρο της οπής που θα τρυπηθεί προκειμένου να τρυπήσετε με μεγαλύτερη ακρίβεια.

Βίδωμα

- ♦ Να χρησιμοποιείτε πάντα τον κατάλληλο τύπο και μέγεθος μύτης κατσαβιδιού.
- ♦ Αν το σφίξιμο των βιδών παρουσιάζει δυσκολία, απλώστε μικρή ποσότητα υγρού απορρυπαντικού ή σαπουνιού σαν λιπαντικό.
- ♦ Το εργαλείο και η μύτη του κατσαβιδιού πρέπει να κρατούνται πάντα στην ίδια ευθεία με τη βίδα.

Συντήρηση

Αυτό το εργαλείο της Black & Decker έχει σχεδιαστεί έτσι ώστε να λειτουργεί για μεγάλο χρονικό διάστημα με την ελάχιστη δυνατή φροντίδα. Η αδιάλειπτη και κανονική λειτουργία του εξαρτάται από τη φροντίδα του εργαλείου και τον τακτικό καθαρισμό του.
Ο φορτιστής σας δεν απαιτεί καμία συντήρηση εκτός από τον τακτικό καθαρισμό του.

Προειδοποίηση! Πριν εκτελέσετε οποιαδήποτε εργασία συντήρησης στο εργαλείο, αφαιρέστε τη μπαταρία από το εργαλείο. Βγάλτε τον φορτιστή από την πρίζα πριν τον καθαρίσετε.

- ♦ Καθαρίζετε τακτικά τις οπές εξερισμού του εργαλείου σας και του φορτιστή με μαλακή βούρτσα ή με στεγνό πανί.
- ♦ Να καθαρίζετε τακτικά το περιβλήμα της μηχανής χρησιμοποιώντας ένα βρεγμένο πανί. Μη χρησιμοποιείτε σπλινθωτικά ή υγρά καθαρισμού που περιέχουν διαλυτικές ουσίες.
- ♦ Να ανοίγετε τακτικά το τσοκ και να το αδειάζετε, προκειμένου να αφαιρείται η σκόνη από το εσωτερικό του.

Διάθεση εργαλείων και περιβάλλον



Ξεχωριστή συλλογή. Αυτό το προϊόν δεν πρέπει να απορριφθεί με συνηθισμένα σπιτικά απορρίμματα.

Εάν κάποια μέρα διαπιστώσετε ότι το προϊόν σας Black & Decker χρειάζεται αντικατάσταση ή δεν σας χρησιμεύει πλέον, μην το απορρίψετε με τα σπιτικά απορρίμματα. Κάντε αυτό το προϊόν διαθέσιμο για ξεχωριστή συλλογή.



Η ξεχωριστή συλλογή χρησιμοποιημένων προϊόντων και συσκευασιών επιτρέπει την ανακύκλωση υλικών. Η επανάχρηση ανακυκλωμένων υλικών βοηθάει την προστασία του περιβάλλον και μειώνει την ζήτηση για σπάνια υλικά.

Οι τοπικοί κανονισμοί μπορεί να παρέχουν ξεχωριστή συλλογή ηλεκτρικών προϊόντων από κατοικίες, δημοτικές τοποθεσίες απορριμμάτων ή από τον έμπορα όταν αγοράσατε το καινούργιο προϊόν.

Η Black & Decker δίνει τη δυνατότητα συλλογής και ανακύκλωσης των προϊόντων της που έχουν συμπληρώσει τη διάρκεια ζωής τους. Αν θέλετε να χρησιμοποιήσετε την εν λόγω υπηρεσία, επιστρέψτε το προϊόν σας σε οποιοδήποτε εξουσιοδοτημένο κέντρο επισκευών, όπου θα το παραλάβουν εκ μέρους σας.

Ενημερωθείτε για το πλησιέστερο κέντρο επισκευών της περιοχής σας, επικοινωνώντας με τα γραφεία της Black & Decker στη διεύθυνση που αναγράφεται στο εγχειρίδιο. Επίσης, για να πληροφορηθείτε τα εξουσιοδοτημένα κέντρα επισκευών της Black & Decker και τις λεπτομέρειες και τους αρμόδιους των υπηρεσιών που παρέχονται μετά την πώληση, μπορείτε να ανατρέξετε στο Διαδίκτυο στη διεύθυνση: www.2helpU.com

Μπαταρίες



Οι μπαταρίες Black & Decker μπορούν να επαναφορτιστούν πολλές φορές. Όταν πλέον δεν μπορούν να ξαναχρησιμοποιηθούν, απορρίψτε τις με τρόπο κατάλληλο για το περιβάλλον:

- ◆ Εξαντλήστε πλήρως τη μπαταρία και μετά αφαιρέστε την από το εργαλείο.
- ◆ Οι μπαταρίες NiCd και NiMH είναι ανακυκλώσιμες. Στείλτε τις σε κάποιο εξουσιοδοτημένο κέντρο επισκευών ή στον τοπικό σταθμό ανακύκλωσης.

Φορτιστής		3 ώρα	1 ώρα
Τάση δικτύου	V_{AC}	230	230
Χρόνος φόρτισης κατά προσέγγιση	h	3	1

Δήλωση συμμόρφωσης με την Ευρωπαϊκή Κοινότητα

CP12/CP122/CP14/CP142

Η Black & Decker δηλώνει ότι τα προϊόντα αυτά συμμορφώνονται με:

EN 50260, EN 55014, EN 60335, EN 61000

L_{pA} (πίεση ήχου) 68 dB(A), L_{WA} (ακουστική ισχύς) 79 dB(A),
χειροβραχιονική δόνηση < 2,5 m/s²

K_{pA} (αβεβαιότητα πίεσης ήχου) 3 dB(A),
 K_{WA} (αβεβαιότητα ακουστικής ισχύς) 3 dB(A)

Kevin Hewitt

Διευθυντής Εξυπηρέτησης Πελατών
Spennymoor, County Durham DL16 6JG,
Αγγλία
1-5-2005

Εγγύηση

Η Black & Decker είναι σύγουρη για την ποιότητα των προϊόντων της και παρέχει σημαντική εγγύηση. Η παρούσα γραπτή εγγύηση αποτελεί πρόσθετο δικαίωμά σας και δεν ζημιώνει τα συνταγματικά σας δικαιώματα. Η εγγύηση ισχύει εντός της επικράτειας των Κρατών Μελών της Ευρωπαϊκής Ένωσης και της Ευρωπαϊκής Ζώνης Ελευθέρων Συναλλαγών.

Σε περίπτωση που κάποιο προϊόν της Black & Decker παρουσιάσει βλάβη εξαιτίας ελαττωματικών υλικών, ποιότητας εργασίας ή έλλειψης συμφωνίας με τις προδιαγραφές εντός 24 μηνών από την ημερομηνία αγοράς, η Black & Decker εγγυάται την αντικατάσταση των ελαττωματικών τμημάτων, την επισκευή προϊόντων που έχουν υποστεί εύλογη φθορά λόγω χρήσης ή την αντικατάσταση των προϊόντων προκειμένου να εξασφαλίσει την ελάχιστη ενόχληση στους πελάτες της, εκτός αν:

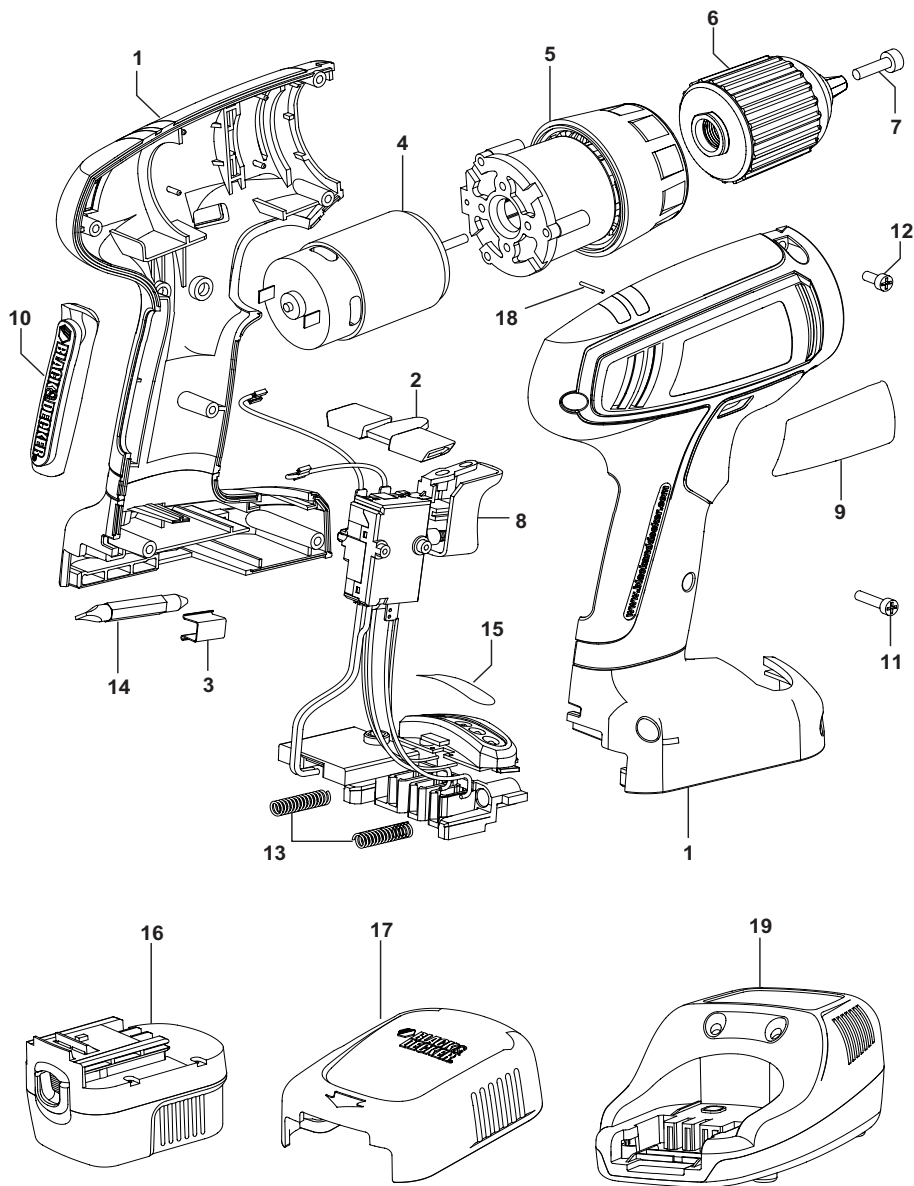
- ◆ Το προϊόν έχει χρησιμοποιηθεί σε εργασιακό, επαγγελματικό περιβάλλον ή αν έχει εννοικιαστεί
- ◆ Έχει γίνει εσφαλμένη χρήση του προϊόντος ή αν έχει παραμεληθεί
- ◆ Το προϊόν έχει υποστεί βλάβη από άλλα αντικείμενα, από ουσίες ή λόγω ατυχήματος
- ◆ Έχει γίνει προσπάθεια επισκευής από μη εξουσιοδοτημένα κέντρα επισκευών ή από προσωπικό που δεν ανήκει στο προσωπικό της Black & Decker

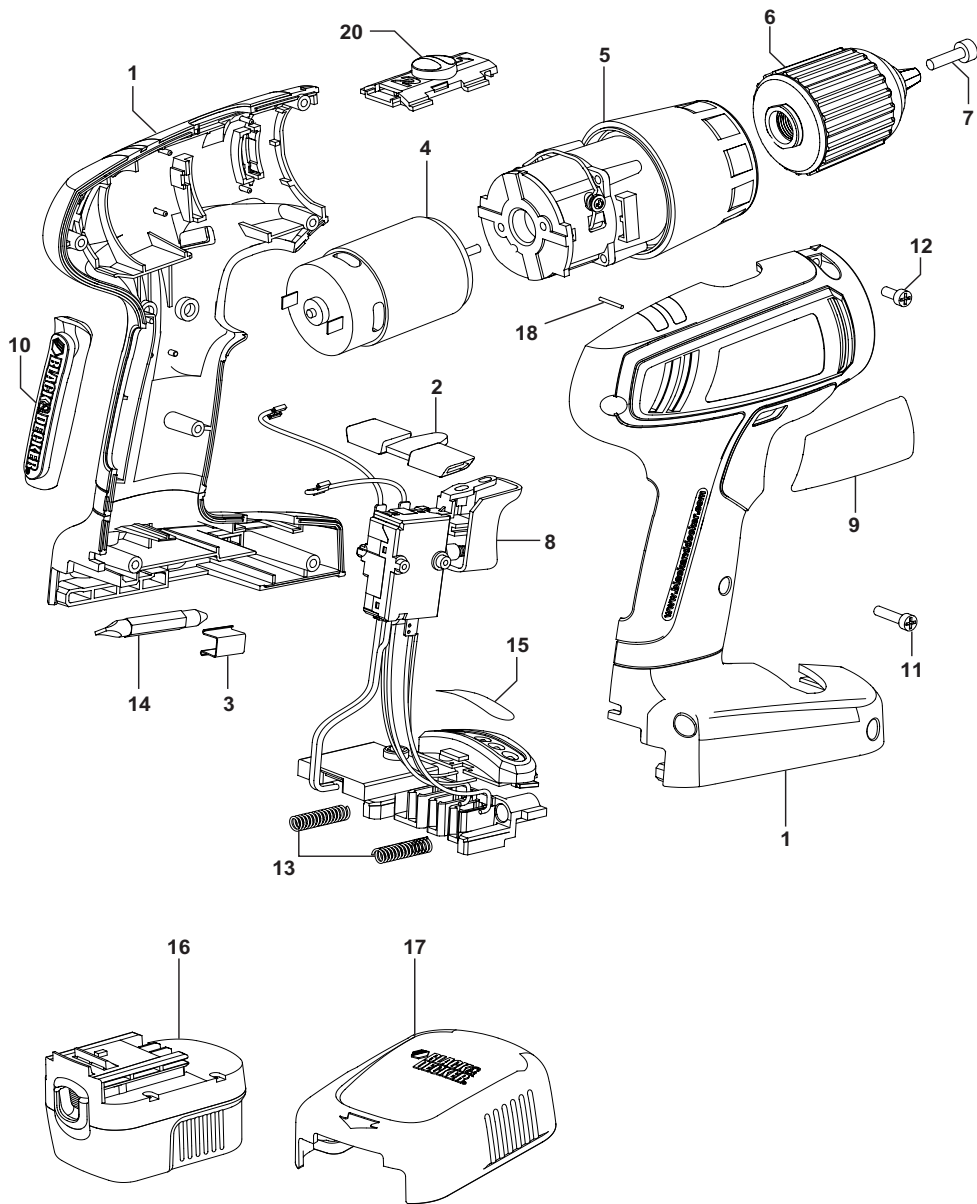
Για να ισχύσει η εγγύηση, πρέπει να υποβάλετε απόδειξη αγοράς στον πωλητή ή το εξουσιοδοτημένο κέντρο επισκευών. Ενημερωθείτε για το πλησιέστερο κέντρο επισκευών της περιοχής σας, επικοινωνώντας με τα γραφεία της Black & Decker στη διεύθυνση που αναγράφεται στο εγχειρίδιο. Επίσης, για να πληροφορηθείτε για τα εξουσιοδοτημένα κέντρα επισκευών της Black & Decker, τις λεπτομέρειες και τους αρμόδιους των υπηρεσιών που παρέχονται μετά την πώληση, μπορείτε να ανατρέξετε στο Διαδίκτυο στη διεύθυνση: www.2helpU.com

Τεχνικά χαρακτηριστικά

	CP12	CP122	CP14	CP142
Τάση	V_{DC} 12	12	14,4	14,4
Ταχύτητα άφορτου κίνησης	min-1 0-700	0-400/0-1300	0-750	0-400/0-1300
Μέγιστη ροπή	Nm 16	20	17	21
Απόδοση τσok	mm 10	10	10	10
Μέγιστη ικανότητα διάτρησης σε χάλυβα / ξύλο / τοιχοποιία	mm 10	10	10	10
Κωδ. καταλόγου μπαταρίας	A12	A12	A14	A14
Χωρητικότητα	Ah 1,5	1,5	1,5	1,5
Βάρος	kg 1,7	1,8	1,7	1,8

Παρακαλούμε να επισκεφτείτε την ιστοσελίδα μας www.blackanddecker.com για να καταχωρήσετε το νέο σας προϊόν Black & Decker και για να ενημερώνεστε για τα νέα προϊόντα και τις ειδικές προσφορές. Περισσότερες πληροφορίες σχετικά με τη μάρκα Black & Decker και τη σειρά προϊόντων μας θα βρείτε στη διεύθυνση www.blackanddecker.com





Australia	Black & Decker (Australia) Pty. Ltd. 20 Fletcher Road, Mooroolbark, Victoria, 3138	Tel. 03-8720 5100 Fax 03-9727 5940
België/Belgique	Black & Decker (Belgium) N.V. Campus Noord, Schaliënhoevedreef 20E 2800 Mechelen	Tel. 015 - 47 92 11 Fax 015 - 47 92 10
Danmark	Black & Decker Sluseholmen 2-4, 2450 København SV Internet: www.blackanddecker.dk	Tel. 70 20 15 15 Fax 36 94 49 01
Deutschland	Black & Decker GmbH Black & Decker Str. 40, D - 65510 Idstein	Tel. 06126/21 - 0 Fax 06126/21 29 80
Ελλάδα	Black & Decker (Ελλάς) Α.Ε. Στράβωνος 7 & Λεωφ. Βουλιαγμένης 159 166 74 Γλυφάδα - Αθήνα	Τηλ. 210 8981616 Φαξ 210 8983285 www.blackanddecker.gr
España	Black & Decker Ibérica, S.C.A. Parque de Negocios "Mas Blau" Edificio Muntadas, c/Bergadá, 1, Of. A6 08820 El Prat de Llobregat (Barcelona)	Tel. 934 797 400 Fax 934 797 419
France	Black & Decker (France) S.A.S. B.P. 21, 69571 Dardilly Cédex	Tel. 04 72 20 39 20 Fax 04 72 20 39 00
Helvetia	ROFO AG Gewerbezone Seeblick 3213 Kleinbödingen	Tel. 026-6749391 Fax 026-6749394
Italia	Black & Decker Italia SpA Viale Elvezia 2 20052 Monza (MI)	Tel. 039-23871 Fax 039-2387592/2387594 Numero verde 800-213935
Nederland	Black & Decker Benelux Joulehof 12, 4622 RG Bergen op Zoom	Tel. 0164 - 283000 Fax 0164 - 283100
New Zealand	Black & Decker 81 Hugo Johnston Drive Penrose, Auckland, New Zealand	Tel. 09 579 7600 Fax 09 579 8200
Norge	Black & Decker (Norge) A/S Postboks 4814, Nydalen, 0422 Oslo Internet: www.blackanddecker.no	Tlf. 22 90 99 00 Fax 22 90 99 01
Österreich	Black & Decker Vertriebsges.m.b.H Erlaaerstraße 165, 1231 Wien	Tel. 01 66116-0 Fax 01 66116-14
Portugal	Black & Decker Rua Egas Moniz 173 S. João do Estoril 2766-651 Estoril	Tel. 214667500 Fax 214667575
Suomi	Black & Decker Oy Keilasatama 3, 02150 Espoo Black & Decker Oy, Kägelhamnen 3, 02150 Esbo	Puh.: 010 400 430 Faksi: (09) 2510 7100 Tel: 010 400 430 Fax: (09) 2510 7100
Sverige	Black & Decker AB Fabriksg. 7, 412 50 Göteborg	Tel: 031-68 60 60 Fax: 031-68 60 80
Türkiye	İntratek Mühendislik ve Dış Tic. A.Ş. Atatürk Mah. Girne Cad. No. 45 34750 Küçükbakkalköy Kadıköy İstanbul	Tel. 0216 456 60 60 Faks 0216 456 60 84
United Kingdom	Black & Decker 210 Bath Road Slough, Berkshire SL1 3YD	Tel. 01753 511234 Fax 01753 551155 Helpline 01753 574277
Middle East & Africa	Black & Decker (Overseas) A.G. PB 5420, Dubai, United Arab Emirates	Tel. +971 4 2826464 Fax +971 4 2826466

Dealer address
Händleradresse
Cachet du revendeur
Indirizzo del rivenditore
Adres van de dealer
Dirección del detallista
Morada do revendedor
Återförsäljarens adress
Forhandlerens adresse
Forhandler adresse
Jälleenmyyjän osoite
Διεύθυνση αντιπροσώπου

Date of purchase
Kaufdatum
Date d'achat
Data d'acquisto
Aankoopdatum
Fecha de compra
Data de compra
Inkipsdatum
Innkjøpsdato
Indkøbsdato
Ostopäivä
Ημερομηνία αγοράς

◆ Name ◆ Name ◆ Nom ◆ Nome
◆ Naam ◆ Nombre ◆ Nume ◆ Namm
◆ Navn ◆ Navn ◆ Nimi ◆ Oνομα:

◆ Address ◆ Adresse ◆ Adresse ◆ Indirizzo ◆
Adres ◆ Dirección ◆ Morada ◆ Address ◆
Adresse ◆ Adresse ◆ Osoite ◆ Διεύθυνση:

◆ Town ◆ Ort ◆ Ville ◆ Città ◆ Plaats
◆ Ciudad ◆ Localidade ◆ Ort ◆ By ◆ By
◆ Paikkakunta ◆ Πόλη:

◆ Postal code ◆ Postleitzahl ◆ Code postal ◆
Codice postale ◆ Postcode
◆ Código ◆ Código postal ◆ Postnr.
◆ Postnr. ◆ Postnr. ◆ Postnummer
◆ Κωδικός

◆ Is this tool a gift? ◆ Ist dieses Gerät ein
Geschenk? ◆ S' agit-il d'un cadeau? ◆ Si tratta
di un regalo? ◆ Kreeg u de machine als cadeau?
◆ ¿Ha recibido usted esta herramienta como
regalo? ◆ Recebeu esta ferramenta como
presente? ◆ Är verktyget en gåva?
◆ Er verkjøyet en gave? ◆ Er verkjøyet en gave?
◆ Onko kone lahja?
◆ Το εργαλείο είναι δώρο?

Yes ◆ Ja ◆ Oui ◆ Si ◆ Ja ◆ Si
 Sim ◆ Ja ◆ Ja ◆ Ja ◆ Ja ◆ Kyllä ◆ Na

No ◆ Nein ◆ Non ◆ No ◆ Ne
 No ◆ Não ◆ Nej ◆ Nei ◆ Nej
 Ei ◆ OX

◆ Is this tool your first purchase? ◆ Ist dieses
Gerät ein Erstkauf? ◆ Est-ce un 1er achat? ◆
Questo prodotto è il suo primo acquisto? ◆ Is
deze machine uw eerste aankoop? ◆ ¿Es esta
herramienta la primera de este tipo?
◆ Esta ferramenta é a sua primeira compra? ◆
Ar dette ditt første B&D-verktøy? ◆ Er dette ditt
første B&D verktøy? ◆ Er dette ditt første B&D
verktøj? ◆ Onko tämä ensimmäinen B&D-

koneesi? ◆ Είναι το εργαλείο αυτό η
πρώτη σας αγορά?

Yes ◆ Ja ◆ Oui ◆ Si ◆ Ja ◆ Si
 Sim ◆ Ja ◆ Ja ◆ Ja ◆ Ja ◆ Kyllä ◆ Na
 No ◆ Nein ◆ Non ◆ No ◆ Ne
 No ◆ Não ◆ Nej ◆ Nei ◆ Nej
 Ei ◆ OX

◆ Dealer address ◆ Händleradresse
◆ Cachet du revendeur ◆ Indirizzo del
rivenditore ◆ Adres van de dealer
◆ Dirección del detallista ◆ Morada do
revendedor ◆ Återförsäljarens adress
◆ Forhandlerens adresse ◆ Forhandler adresse
◆ Jälleenmyyjän osoite
◆ Διεύθυνση αντιπροσώπου

Cat. no.:



- ◆ GUARANTEE CARD
- ◆ GARANTIEKART
- ◆ GARANTI KORT
- ◆ GARANTIEKARTE
- ◆ TARJETA DE GARANTÍA
- ◆ GARANTI KORT
- ◆ CARTÉ DE GARANTIE
- ◆ CARTÃO DE GARANTIA
- ◆ TAKUKUKORTTI
- ◆ TAGLIANDO DI GARANZIA
- ◆ GARANTIBEVIS
- ◆ KAPTA EΓΓΥΗΣΗΣ



English

Please complete this section immediately after the purchase of your tool and send it to Black & Decker in your country. If you live in Australia or New Zealand, please register by using the alternative guarantee card supplied.

Deutsch

Bitte schneiden Sie diesen Abschnitt ab, stecken ihn in einen frankierten Umschlag und schicken ihn an die Black & Decker Adresse Ihres Landes.

Français

Découpez cette partie et envoyez-la sous enveloppe timbrée à l'adresse de Black & Decker dans votre pays, ceci immédiatement après votre achat.

Italiano

Per favore ritagliate questa parte, inseritela in una busta con francobollo e speditea subito dopo l'acquisto del prodotto all'indirizzo della Black & Decker nella vostra nazione.

Nederlands

Knip dit gedeelte uit en zend het direct na aankoop in een gefrankeerde, geadresseerde envelop naar het adres van Black & Decker in uw land.

Español

Después de haber comprado su herramienta envíe usted, por favor, esta tarjeta a la central de Black & Decker en su país.

Português

Por favor, recorte esta parte, coloque-a num envelope selado e endereçado e envie-o logo após a compra do seu produto para o endereço da Black & Decker do seu país.

Svenska

Var vänlig klipp ur denna del och sänd den i ett frankerat kuvert till Black & Deckers adress i Ditt land.

Norsk

Vennligst klipp ut denne delen umiddelbart etter du har pakket ut ditt produkt og legg det i en adressert konvolutt til Black & Decker (Norge) A/S.

Dansk

Venligst klip denne del ud og send frankeret til Black & Decker i ditt land.

Suomi

Leikkaa irti tämä osa, laita se kuoreen ja postita kuori paikalliseen Black & Deckers osastoeseen.

Ελληνικά

Παράκατω κόψτε αυτό το κομμάτι και τοχυψοποιήσατε το questoς μετά την αγορά του προϊόντος σας στην διεύθυνση της Black & Decker στην Ελλάδα.