

## Intended use

Your Black & Decker angle grinder has been designed for grinding and cutting metal and masonry using the appropriate type of cutting or grinding disc. When fitted with the appropriate guard, this tool is intended for consumer use only.

## Safety instructions

### General power tool safety warnings



**Warning!** Read all safety warnings and all instructions. Failure to follow the warnings and instructions listed below may result in electric shock, fire and/or serious injury.

Save all warnings and instructions for future reference. The term "power tool" in all of the warnings listed below refers to your mains operated (corded) power tool or battery operated (cordless) power tool.

1. Work area safety
  - a. Keep work area clean and well lit. Cluttered or dark areas invite accidents.
  - b. Do not operate power tools in explosive atmospheres, **such as in the presence of flammable liquids, gases or dust**. Power tools create sparks which may ignite the dust or fumes.
  - c. Keep children and bystanders away while operating a power tool. Distractions can cause you to lose control.
2. Electrical safety
  - a. Power tool plugs must match the outlet. Never modify the plug in any way. Do not use any adapter plugs with earthed (grounded) power tools. Unmodified plugs and matching outlets will reduce risk of electric shock.
  - b. Avoid body contact with earthed or grounded surfaces such as pipes, radiators, ranges and refrigerators. There is an increased risk of electric shock if your body is earthed or grounded.
  - c. Do not expose power tools to rain or wet conditions. Water entering a power tool will increase the risk of electric shock.
  - d. Do not abuse the cord. Never use the cord for carrying, pulling or unplugging the power tool. Keep cord away from heat, oil, sharp edges or moving parts. Damaged or entangled cords increase the risk of electric shock.
  - e. When operating a power tool outdoors, use an extension cord suitable for outdoor use. Use of a cord suitable for outdoor use reduces the risk of electric shock.
  - f. If operating a power tool in a damp location is unavoidable, use a residual current device (RCD) protected supply. Use of an RCD reduces the risk of electric shock.
3. Personal safety
  - a. Stay alert, watch what you are doing and use common sense when operating a power tool. Do not use a **power tool while you are tired or under the influence of drugs, alcohol or medication**. A moment of inattention while operating power tools may result in serious personal injury.
  - b. **Use personal protective equipment. Always wear eye protection.** Protective equipment such as dust mask, non-skid safety shoes, hard hat, or hearing protection used for appropriate conditions will reduce personal injuries.
  - c. Prevent unintentional starting. Ensure the switch is in the off-position before connecting to power source and/or battery pack, picking up or carrying the tool. Carrying power tools with your finger on the switch or energising power tools that have the switch on invites accidents.
  - d. Remove any adjusting key or wrench before turning the power tool on. A wrench or a key left attached to a rotating part of the power tool may result in personal injury.
  - e. Do not overreach. Keep proper footing and balance at all times. This enables better control of the power tool in unexpected situations.
  - f. Dress properly. Do not wear loose clothing or jewellery. Keep your hair, clothing and gloves away from moving parts. Loose clothes, jewellery or long hair can be caught in moving parts.
  - g. If devices are provided for the connection of dust extraction and collection facilities, ensure these are connected and properly used. Use of dust collection can reduce dust-related hazards.
4. Power tool use and care
  - a. Do not force the power tool. Use the correct power tool for your application. The correct power tool will do the job better and safer at the rate for which it was designed.
  - b. Do not use the power tool if the switch does not turn it on and off. Any power tool that cannot be controlled with the switch is dangerous and must be repaired.
  - c. Disconnect the plug from the power source and/or the battery pack from the power tool before making any adjustments, changing accessories, or storing power tools. Such preventive safety measures reduce the risk of starting the power tool accidentally.

- d. Store idle power tools out of the reach of children and do not allow persons unfamiliar with the power tool or these instructions to operate the power tool. Power tools are dangerous in the hands of untrained users.
  - e. Maintain power tools. Check for misalignment or binding of moving parts, breakage of parts and any other condition that may affect the power tools operation. If damaged, have the power tool repaired before use. Most accidents are caused by poorly maintained power tools.
  - f. Keep cutting tools sharp and clean. Properly maintained cutting tools with sharp cutting edges are less likely to bind and are easier to control.
  - g. Use the power tool, accessories and tool bits etc. in accordance with these instructions, taking into account the working conditions and the work to be performed. Use of the power tool for operations different from those intended could result in a hazardous situation.
5. Service
- a. **Have your power tool serviced by a qualified repair person using only identical replacement parts.** This will ensure that the safety of the power tool is maintained.

### Additional power tool safety warnings



Warning! Additional safety warnings for grinding, sanding, wire brushing, polishing or abrasive cutting-off operations

- ◆ This power tool is intended to function as a grinder, sander, wire brush, polisher or cut-off tool. Read all safety warnings, instructions, illustrations and specifications provided with this power tool. Failure to follow all instructions listed below may result in electric shock, fire and/or serious injury.
- ◆ Operations for which the power tool was not designed may create a hazard and cause personal injury.
- ◆ **Do not use accessories which are not specifically designed and recommended by the tool manufacturer.** Just because the accessory can be attached to your power tool, it does not assure safe operation.
- ◆ The rated speed of the accessory must be at least **equal to the maximum speed marked on the power tool.** Accessories running faster than their rated speed can break and fly apart.
- ◆ The outside diameter and the thickness of your accessory must be within the capacity rating of your power tool. Incorrectly sized accessories cannot be adequately guarded or controlled.
- ◆ **The arbour size of wheels, flanges, backing pads or any other accessory must properly fit the spindle of the power tool.** Accessories with arbour holes that do not match the mounting hardware of the power tool will run out of balance, vibrate excessively and may cause loss of control.
- ◆ Do not use a damaged accessory. Before each use inspect the accessory such as abrasive wheels for chips and cracks, backing pad for cracks, tear or excess wear, wire brush for loose or cracked wires. If power tool or accessory is dropped, inspect for damage or install an undamaged accessory. After inspecting and installing an accessory and run the power tool at maximum no-load speed for one minute. Damaged accessories will normally break apart during this test time.
- ◆ **Wear personal protective equipment. Depending on application, use face shield, safety goggles or safety glasses. As appropriate, wear dust mask, hearing protectors, gloves and workshop apron capable of stopping small abrasive or workpiece fragments.** The eye protection must be capable of stopping flying debris generated by various operations. The dust mask or respirator must be capable of filtering particles generated by your operation. Prolonged exposure to high intensity noise may cause hearing loss.
- ◆ Keep bystanders a safe distance away from work area. Anyone entering the work area must wear personal **protective equipment.** Fragments of workpiece or of a broken accessory may fly away and cause injury beyond immediate area of operation.
- ◆ Hold power tool by insulated gripping surfaces only, when performing an operation where the cutting accessory may contact hidden wiring or its own cord. Cutting accessory contacting a "live" wire may make exposed metal parts of the power tool "live" and shock the operator.
- ◆ Position the cord clear of the spinning accessory. If you lose control, the cord may be cut or snagged and your hand or arm may be pulled into the spinning accessory.
- ◆ Never lay the power tool down until the accessory has come to a complete stop. The spinning accessory may grab the surface and pull the power tool out of your control.
- ◆ Do not run the power tool while carrying it at your side. Accidental contact with the spinning accessory could snag your clothing, pulling the accessory into your body.
- ◆ Regularly clean the power tool's air vents. The motor's fan will draw the dust inside the housing and excessive accumulation of powdered metal may cause electrical hazards.

- ◆ **Do not operate the power tool near flammable materials.** Sparks could ignite these materials.
- ◆ **Do not use accessories that require liquid coolants.** Using water or other liquid coolants may result in electrocution or shock.

Note: The above warning does not apply for power tools specifically designed for use with a liquid system.

### Kickback and related warnings

Kickback is a sudden reaction to a pinched or snagged rotating wheel, backing pad, brush or any other accessory. Pinching or snagging causes rapid stalling of the rotating accessory which in turn causes the uncontrolled power tool to be forced in the direction opposite of the accessory's rotation at the point of the binding.

For example, if an abrasive wheel is snagged or pinched by the workpiece, the edge of the wheel that is entering into the pinch point can dig into the surface of the material causing the wheel to climb out or kick out. The wheel may either jump toward or away from the operator, depending on direction of the wheel's movement at the point of pinching.

Abrasive wheels may also break under these conditions.

Kickback is the result of power tool misuse and/or incorrect operating procedures or conditions and can be avoided by taking proper precautions as given below.

- ◆ **Maintain a firm grip on the power tool and position your body and arm to allow you to resist kickback forces.** Always use auxiliary handle, if provided, for **maximum control over kickback or torque reaction during start-up.** The operator can control torque reactions or kickback forces, if proper precautions are taken.
- ◆ **Never place your hand near the rotating accessory.** Accessory may kickback over your hand.
- ◆ **Do not position your body in the area where power tool will move if kickback occurs.** Kickback will propel the tool in direction opposite to the wheel's movement at the point of snagging.
- ◆ **Use special care when working corners, sharp edges etc.** Avoid bouncing and snagging the accessory. Corners, sharp edges or bouncing have a tendency to snag the rotating accessory and cause loss of control or kickback.
- ◆ **Do not attach a saw chain woodcarving blade or toothed saw blade.** Such blades create frequent kickback and loss of control.

### Safety warnings specific for grinding and abrasive cutting-off operations

- ◆ Use only wheel types that are recommended for your **power tool and the specific guard designed for the selected wheel.** Wheels for which the power tool was not designed cannot be adequately guarded and are unsafe.
- ◆ The guard must be securely attached to the power tool and positioned for maximum safety, so the least amount of wheel is exposed towards the operator. The guard helps to protect operator from broken wheel fragments and accidental contact with wheel.
- ◆ Wheels must be used only for recommended applications. For example: **do not grind with the side of cut-off wheel.** Abrasive cut-off wheels are intended for peripheral grinding, side forces applied to these wheels may cause them to shatter.
- ◆ **Always use undamaged wheel flanges that are of correct size and shape for your selected wheel.** Proper wheel flanges support the wheel thus reducing the possibility of wheel breakage. Flanges for cut-off wheels may be different from grinding wheel flanges.
- ◆ **Do not use worn down wheels from larger power tools.** Wheel intended for larger power tool is not suitable for the higher speed of a smaller tool and may burst.

### Additional safety warnings specific for abrasive cutting-off operations

- ◆ Do not "jam" the cut-off wheel or apply excessive pressure. Do not attempt to make an excessive depth of cut. Over stressing the wheel increases the loading and susceptibility to twisting or binding of the wheel in the cut and the possibility of kickback or wheel breakage.
- ◆ **Do not position your body in line with and behind the rotating wheel.** When the wheel, at the point of operation, is moving away from your body, the possible kickback may propel the spinning wheel and the power tool directly at you.
- ◆ **When wheel is binding or when interrupting a cut for any reason, switch off the power tool and hold the power tool motionless until the wheel comes to a complete stop.** Never attempt to remove the cut-off wheel from the cut while the wheel is in motion otherwise kickback may occur. Investigate and take corrective action to eliminate the cause of wheel binding.
- ◆ **Do not restart the cutting operation in the workpiece.** Let the wheel reach full speed and carefully re-enter the cut. The wheel may bind, walk up or kickback if the power tool is restarted in the workpiece.

- ◆ Support panels or any oversized workpiece to minimize the risk of wheel pinching and kickback. Large workpieces tend to sag under their own weight. Supports must be placed under the workpiece near the line of cut and near the edge of the workpiece on both sides of the wheel.
- ◆ Use extra caution when making a "pocket cut" into existing walls or other blind areas. The protruding wheel may cut gas or water pipes, electrical wiring or objects that can cause kickback.

### Safety warnings specific for sanding operations

- ◆ Do not use excessively oversized sanding disc paper. Follow manufacturers recommendations, when selecting sanding paper. Larger sanding paper extending beyond the sanding pad presents a laceration hazard and may cause snagging, tearing of the disc or kickback.

### Safety warnings specific for polishing operations

- ◆ Do not allow any loose portion of the polishing bonnet or its attachment strings to spin freely. Tuck away or trim any loose attachment strings. Loose and spinning attachment strings can entangle your fingers or snag on the workpiece.

### Safety warnings specific for wire brushing operations

- ◆ Be aware that wire bristles are thrown by the brush even during ordinary operation. Do not overstress the wires by applying excessive load to the brush. The wire bristles can easily penetrate light clothing and/or skin.
- ◆ If the use of a guard is recommended for wire brushing, do not allow any interference of the wire wheel or brush with the guard. Wire wheel or brush may expand in diameter due to work load and centrifugal forces.

### Safety of others

- ◆ This appliance is not intended for use by persons (including children) with reduced physical, sensory or mental capabilities, or lack of experience and knowledge, unless they have been given supervision or instruction concerning use of the appliance by a person responsible for their safety.
- ◆ Children should be supervised to ensure that they do not play with the appliance.

### Residual risks.

Additional residual risks may arise when using the tool which may not be included in the enclosed safety warnings. These risks can arise from misuse, prolonged use etc.

Even with the application of the relevant safety regulations and the implementation of safety devices, certain residual risks can not be avoided. These include:

- ◆ Injuries caused by touching any rotating/moving parts.
- ◆ Injuries caused when changing any parts, blades or accessories.
- ◆ Injuries caused by prolonged use of a tool. When using any tool for prolonged periods ensure you take regular breaks.
- ◆ Impairment of hearing.
- ◆ Health hazards caused by breathing dust developed when using your tool (example:- working with wood, especially oak, beech and MDF.)

### Vibration

The declared vibration emission values stated in the technical data and the declaration of conformity have been measured in accordance with a standard test method provided by EN 60745 and may be used for comparing one tool with another. The declared vibration emission value may also be used in a preliminary assessment of exposure.

**Warning!** The vibration emission value during actual use of the power tool can differ from the declared value depending on the ways in which the tool is used. The vibration level may increase above the level stated.

When assessing vibration exposure to determine safety measures required by 2002/44/EC to protect persons regularly using power tools in employment, an estimation of vibration exposure should consider, the actual conditions of use and the way the tool is used, including taking account of all parts of the operating cycle such as the times when the tool is switched off and when it is running idle in addition to the trigger time.

### Labels on tool

The following pictograms are shown on the tool:



**Warning!** To reduce the risk of injury, the user must read the instruction manual.



Wear safety glasses or goggles when operating this tool.



Wear ear protection when operating this tool.

## Electrical safety



This tool is double insulated; therefore no earth wire is required. Always check that the power supply corresponds to the voltage on the rating plate.

- ◆ If the supply cord is damaged, it must be replaced by the manufacturer or an authorised Black & Decker Service Centre in order to avoid a hazard.

## Features

This tool includes some or all of the following features.

1. On/off switch
2. Side handle
3. Spindle lock
4. Guard

## Assembly

**Warning!** Before assembly, make sure that the tool is switched off and unplugged.

### Fitting and removing the guard (fig. A)

The tool is supplied with a guard intended for grinding purposes only. If the unit is intended to perform cutting off operations, a guard specific for this operation must be fitted. A suitable guard for cutting off operations part numbers 1004484-06 for KG701/KG901 and 1004484-07 for KG902 are available and can be obtained from Black & Decker service centres.

### Fitting

- ◆ Place the tool on a table, with the spindle (5) facing up.
- ◆ Release the clamping lock (7) and hold the guard (4) over the tool as shown.
- ◆ Align the lugs (8) with the notches (9).
- ◆ Press the guard down and rotate it counterclockwise to the required position.
- ◆ Fasten the clamping lock (7) to secure the guard to the tool.
- ◆ If required, tighten the screw (6) to increase the clamping force.

### Removing

- ◆ Release the clamping lock (7).
- ◆ Rotate the guard clockwise to align the lugs (8) with the notches (9).
- ◆ Remove the guard from the tool.

**Warning!** Never use the tool without the guard.

## Fitting the side handle

- ◆ Screw the side handle (2) into one of the mounting holes in the tool.

**Warning!** Always use the side handle.

## Fitting and removing grinding or cutting discs (fig. B - D)

Always use the correct type of disc for your application.

Always use discs with the correct diameter and bore size (see technical data).

### Fitting

- ◆ Fit the guard as described above.
- ◆ Place the inner flange (10) onto the spindle (5) as shown (fig. B). Make sure that the flange is correctly located on the flat sides of the spindle.
- ◆ Place the disc (11) onto the spindle (5) as shown (fig. B). If the disc has a raised centre (12), make sure that the raised centre faces the inner flange.
- ◆ Make sure that the disc locates correctly on the inner flange.
- ◆ Place the outer flange (13) onto the spindle. When fitting a grinding disc, the raised centre on the outer flange must face towards the disc (A in fig. C). When fitting a cutting disc, the raised centre on the outer flange must face away from the disc (B in fig. C).
- ◆ Keep the spindle lock (3) depressed and tighten the outer flange using the two-pin spanner (14) (fig. D).

### Removing

- ◆ Keep the spindle lock (3) depressed and loosen the outer flange (13) using the two-pin spanner (14) (fig. D).
- ◆ Remove the outer flange (13) and the disc (11).

## Fitting and removing sanding discs (fig. D & E)

For sanding, a backing pad is required. The backing pad is available from your Black & Decker dealer as an accessory.

### Fitting

- ◆ Place the inner flange (10) onto the spindle (5) as shown (fig. E). Make sure that the flange is correctly located on the flat sides of the spindle.
- ◆ Place the backing pad (15) onto the spindle.
- ◆ Place the sanding disc (16) onto the backing pad.
- ◆ Place the outer flange (13) onto the spindle with the raised centre facing away from the disc.
- ◆ Keep the spindle lock (3) depressed and tighten the outer flange using the two-pin spanner (14) (fig. D). Make sure that the outer flange is fitted correctly and that the disc is clamped tightly.



## Removing

- ◆ Keep the spindle lock (3) depressed and loosen the outer flange (13) using the two-pin spanner (14) (fig. D).
- ◆ Remove the outer flange (13), the sanding disc (16) and the backing pad (15).

## Use

**Warning!** Let the tool work at its own pace. Do not overload.

- ◆ Carefully guide the cable in order to avoid accidentally cutting it.
- ◆ Be prepared for a stream of sparks when the grinding or cutting disc touches the workpiece.
- ◆ Always position the tool in such a way that the guard provides optimum protection from the grinding or cutting disc.

## Switching on and off

- ◆ To switch on, slide the on/off switch (1) forward then press it in. Note that the tool will continue running when you release the switch.
- ◆ To switch off, press the rear part of the on/off switch.

**Warning!** Do not switch the tool off while under load.

## Hints for optimum use

- ◆ Firmly hold the tool with one hand around the side handle and the other hand around the main handle.
- ◆ When grinding, always maintain an angle of approx. 15° between the disc and the workpiece surface.

## Maintenance

Your Black & Decker corded/cordless appliance/tool has been designed to operate over a long period of time with a minimum of maintenance. Continuous satisfactory operation depends upon proper tool care and regular cleaning.

**Warning!** Before performing any maintenance on corded/cordless power tools:

- ◆ Switch off and unplug the appliance/tool.
- ◆ Or switch off and remove the battery from the appliance/tool if the appliance/tool has a separate battery pack.
- ◆ Or run the battery down completely if it is integral and then switch off.
- ◆ Unplug the charger before cleaning it. Your charger does not require any maintenance apart from regular cleaning.
- ◆ Regularly clean the ventilation slots in your appliance/tool/charger using a soft brush or dry cloth.
- ◆ Regularly clean the motor housing using a damp cloth. Do not use any abrasive or solvent-based cleaner.
- ◆ Regularly open the chuck and tap it to remove any dust from the interior (when fitted).

## Mains plug replacement (U.K. & Ireland only)

If a new mains plug needs to be fitted:

- ◆ Safely dispose of the old plug.
- ◆ Connect the brown lead to the live terminal in the new plug.
- ◆ Connect the blue lead to the neutral terminal.

**Warning!** No connection is to be made to the earth terminal. Follow the fitting instructions supplied with good quality plugs. Recommended fuse: 13 A.

## Protecting the environment



Separate collection. This product must not be disposed of with normal household waste.

Should you find one day that your Black & Decker product needs replacement, or if it is of no further use to you, do not dispose of it with household waste. Make this product available for separate collection.



Separate collection of used products and packaging allows materials to be recycled and used again. Re-use of recycled materials helps prevent environmental pollution and reduces the demand for raw materials.

Local regulations may provide for separate collection of electrical products from the household, at municipal waste sites or by the retailer when you purchase a new product.

Black & Decker provides a facility for the collection and recycling of Black & Decker products once they have reached the end of their working life. To take advantage of this service please return your product to any authorised repair agent who will collect them on our behalf.

You can check the location of your nearest authorised repair agent by contacting your local Black & Decker office at the address indicated in this manual. Alternatively, a list of authorised Black & Decker repair agents and full details of our after-sales service and contacts are available on the Internet at: [www.2helpU.com](http://www.2helpU.com)

## Technical data

		KG701 (Type 1)	KG901 (Type 1)	KG902 (Type 1)
Input voltage	V <sub>ac</sub>	230	230	230
Power input	W	710	900	900
No-load speed	min <sup>-1</sup>	10,500	11,000	11,000
Disc diameter	mm	115	115	125
Disc bore	mm	22	22	22
<b>Max disc thickness</b>				
grinding discs	mm	6	6	6
cutting discs	mm	3.5	3.5	3.5
Spindle size		M14	M14	M14
Weight	kg	2.1	2.1	2.1

$L_{pA}$ (sound pressure) 92.6 dB(A), Uncertainty (K) 3 dB(A)
$L_{WA}$ (sound power) 103.6 dB(A), Uncertainty (K) 3 dB(A)
<b>Vibration total values (triax vector sum) according to EN 60745:</b>
Surface grinding ( $a_{h,SG}$ ) 9.9 m/s <sup>2</sup> , uncertainty (K) 1.5 m/s <sup>2</sup>
Cutting-off ( $a_p$ ) 6.2 m/s <sup>2</sup> , uncertainty (K) 1.5 m/s <sup>2</sup>
Polishing ( $a_{h,p}$ ) 4.6 m/s <sup>2</sup> , uncertainty (K) 1.5 m/s <sup>2</sup>
Disc sanding ( $a_{h,DS}$ ) 9.6 m/s <sup>2</sup> , uncertainty (K) 1.5 m/s <sup>2</sup>
Wire brushing ( $a_p$ ) 10.2 m/s <sup>2</sup> , uncertainty (K) 1.5 m/s <sup>2</sup>

## EC declaration of conformity

MACHINERY DIRECTIVE



KG701 / KG901 / KG902

Black & Decker declares that these products described under "technical data" are in compliance with:  
2006/42/EC, EN 60745-1, EN 60745-2-3

These products also comply with Directive  
2004/108/EC and 2011/65/EU.

For more information, please contact Black & Decker at the following address or refer to the back of the manual.  
The undersigned is responsible for compilation of the technical file and makes this declaration on behalf of Black & Decker.

Kevin Hewitt  
Vice-President Global Engineering  
Black & Decker Europe, 210 Bath Road, Slough,  
Berkshire, SL1 3YD, United Kingdom  
30/03/2012

## Guarantee

Black & Decker is confident of the quality of its products and offers an outstanding guarantee. This guarantee statement is in addition to and in no way prejudices your statutory rights. The guarantee is valid within the territories of the Member States of the European Union and the European Free Trade Area.

If a Black & Decker product becomes defective due to faulty materials, workmanship or lack of conformity, within 24 months from the date of purchase, Black & Decker guarantees to replace defective parts, repair products subjected to fair wear and tear or replace such products to ensure minimum inconvenience to the customer unless:

- ◆ The product has been used for trade, professional or hire purposes;
- ◆ The product has been subjected to misuse or neglect;
- ◆ The product has sustained damage through foreign objects, substances or accidents;
- ◆ Repairs have been attempted by persons other than authorised repair agents or Black & Decker service staff.

To claim on the guarantee, you will need to submit proof of purchase to the seller or an authorised repair agent. You can check the location of your nearest authorised repair agent by contacting your local Black & Decker office at the address indicated in this manual. Alternatively, a list of authorised Black & Decker repair agents and full details of our after-sales service and contacts are available on the Internet at: [www.2helpU.com](http://www.2helpU.com)

Please visit our website [www.blackanddecker.co.uk](http://www.blackanddecker.co.uk) to register your new Black & Decker product and to be kept up to date on new products and special offers. Further information on the Black & Decker brand and our range of products is available at [www.blackanddecker.co.uk](http://www.blackanddecker.co.uk)

## Bestimmungsgemäße Verwendung

Ihr Black & Decker Winkelschleifer wurde zum Schleifen und Schneiden von Metall und Mauerwerk mithilfe der entsprechenden Trenn- oder Schleifscheibe entwickelt. Dieses Gerät verfügt über eine Schutzvorrichtung und ist nicht für den gewerblichen Einsatz vorgesehen.

## Sicherheitshinweise

### Allgemeine Sicherheitswarnungen für das Gerät



**Achtung!** Lesen Sie sämtliche Sicherheitswarnungen und Anweisungen. Die Nichteinhaltung der nachstehend aufgeführten Warnungen und Anweisungen kann einen elektrischen Schlag, Brand und/oder schwere Verletzungen verursachen.

Bewahren Sie alle Sicherheitswarnungen und Anweisungen gut auf. Der nachfolgend verwendete Begriff „Gerät“ bezieht sich auf netzbetriebene Geräte (mit Netzkabel) und auf akkubetriebene Geräte (ohne Netzkabel).

1. Sicherheit im Arbeitsbereich
  - a. Halten Sie Ihren Arbeitsbereich sauber, und sorgen Sie für ausreichende Beleuchtung. Unordnung oder dunkle Arbeitsbereiche können zu Unfällen führen.
  - b. Verwenden Sie die Geräte nicht in Umgebungen, in denen Explosionsgefahr z. B. aufgrund von brennbaren Flüssigkeiten, Gasen oder Staub besteht. Geräte erzeugen Funken, die den Staub oder die Dämpfe entzünden können.
  - c. Halten Sie Kinder und andere Personen während der Benutzung eines Geräts fern. Bei Ablenkung können Sie die Kontrolle verlieren.
2. Elektrische Sicherheit
  - a. Der Netzstecker des Geräts muss in die Steckdose passen. Der Stecker darf in keiner Weise verändert werden. Verwenden Sie für schutzgeerdete Geräte keine Adapterstecker. Unveränderte Stecker und passende Steckdosen verringern das Risiko eines elektrischen Schlags.
  - b. Vermeiden Sie Körperkontakt mit geerdeten **Oberflächen von Rohren, Heizungen, Herden und Kühlschränken**. Es besteht ein erhöhtes Risiko eines elektrischen Schlags, wenn Ihr Körper geerdet ist.
  - c. Halten Sie Geräte von Regen und Feuchtigkeit fern. Das Eindringen von Wasser in ein Gerät erhöht das Risiko eines elektrischen Schlags.
  - d. Verwenden Sie das Kabel ordnungsgemäß. Verwenden Sie es niemals zum Tragen. Trennen Sie das Gerät nicht durch Ziehen am Kabel vom Netz. Halten Sie das Kabel fern von Hitze, Öl, scharfen Kanten oder sich bewegenden Teilen. Beschädigte oder verwickelte Kabel erhöhen das Risiko eines elektrischen Schlags.
  - e. Verwenden Sie nur für den Außenbereich zugelassene Verlängerungskabel, wenn Sie mit dem Gerät im Freien arbeiten. Die Verwendung eines für den Außenbereich geeigneten Verlängerungskabels verringert das Risiko eines elektrischen Schlags.
  - f. Wenn das Gerät in einer feuchten Umgebung verwendet werden muss, schließen Sie es unbedingt an eine Steckdose mit Fehlerstromschutzschalter (RCD). Die Verwendung eines Fehlerstromschutzschalters verringert das Risiko eines elektrischen Schlags.
3. Sicherheit von Personen
  - a. Verwenden Sie das Gerät aufmerksam und vernünftig. Benutzen Sie das Gerät nicht, wenn Sie müde sind **oder unter dem Einfluss von Drogen, Alkohol oder Medikamenten** stehen. Ein Moment der Unachtsamkeit beim Gebrauch von Geräten kann zu ernsthaften Verletzungen führen.
  - b. Verwenden Sie eine geeignete Schutzausrüstung. Tragen Sie stets eine Schutzbrille. Schutzausrüstung wie Staubmaske, rutschfeste Sicherheitsschuhe, Schutzhelm oder Gehörschutz, je nach Art und Einsatz des Geräts, verringert das Risiko von Verletzungen.
  - c. Vermeiden Sie eine unbeabsichtigte Inbetriebnahme. Vergewissern Sie sich, dass das Gerät ausgeschaltet ist, bevor Sie es an eine Steckdose oder einen Akku anschließen, es hochheben oder tragen. Durch das Tragen des Geräts mit dem Finger am Schalter oder durch das Anschließen eingeschalteter Geräte werden Unfälle provoziert.
  - d. Entfernen Sie Einstell- oder Schraubenschlüssel, bevor Sie das Gerät einschalten. Ein Schlüssel in einem sich drehenden Teil kann zu Verletzungen führen.
  - e. Beugen Sie sich nicht zu weit nach vorne über. Achten Sie auf einen sicheren Stand, um in jeder Arbeitsposition das Gleichgewicht zu halten. Dadurch können Sie das Gerät in unerwarteten Situationen besser unter Kontrolle halten.
  - f. Tragen Sie geeignete Kleidung. Tragen Sie keine weite Kleidung oder Schmuck. Halten Sie Haare, Kleidung und Handschuhe fern von sich bewegenden Teilen. Lockere Kleidung, Schmuck oder lange Haare können von sich bewegenden Teilen erfasst werden.

- g. Falls Staubabsaug- und -fangvorrichtungen vorhanden sind, vergewissern Sie sich, dass diese angeschlossen sind und richtig verwendet werden. Das Verwenden einer Staubauffangvorrichtung verringert Gefährdungen durch Staub.

#### 4. Gebrauch und Pflege von Geräten

- a. Überlasten Sie das Gerät nicht. Verwenden Sie das für Ihre Arbeit passende Gerät. Durch das Arbeiten in dem für das Gerät angegebenen Leistungsbereich erzielen Sie nicht nur optimale Ergebnisse, Sie erhöhen auch die Sicherheit.
- b. Verwenden Sie das Gerät nicht, wenn der Ein-/Ausschalter nicht funktioniert. Ein Gerät, das sich nicht mehr ein- oder ausschalten lässt, ist gefährlich und muss repariert werden.
- c. Ziehen Sie den Stecker aus der Steckdose, und/oder trennen Sie das Gerät vom Akku, bevor Sie Einstellungen vornehmen, Zubehörteile wechseln oder das Gerät lagern. Diese Vorsichtsmaßnahme verhindert den unbeabsichtigten Start des Geräts.
- d. Bewahren Sie unbebenutzte Geräte außerhalb der Reichweite von Kindern auf. Lassen Sie Geräte nicht von Personen benutzen, die damit nicht vertraut sind oder diese Anweisungen nicht gelesen haben. Geräte sind gefährlich, wenn sie von unerfahrenen Personen benutzt werden.
- e. Halten Sie Geräte in einem einwandfreien Zustand. Kontrollieren Sie, ob bewegliche Teile falsch ausgerichtet sind oder klemmen und ob Teile gebrochen oder so beschädigt sind, dass die Funktion des Geräts beeinträchtigt ist. Lassen Sie beschädigte Geräte vor dem Gebrauch reparieren. Viele Unfälle haben ihre Ursache in schlecht gewarteten Geräten.
- f. Halten Sie Schneidwerkzeuge scharf und sauber. Sorgfältig gepflegte Schneidwerkzeuge mit scharfen Schneidkanten verklemmen sich weniger und sind leichter zu führen.
- g. Verwenden Sie Geräte, Zubehör, Einsätze usw. entsprechend diesen Anweisungen, und berücksichtigen Sie dabei die Arbeitsbedingungen und die auszuführende Arbeit. Der Gebrauch von Geräten für andere als die vorgesehenen Anwendungen kann zu gefährlichen Situationen führen.
5. Service
- a. Lassen Sie das Gerät nur von qualifiziertem Fachpersonal und nur mit Originalersatzteilen reparieren. So wird gewährleistet, dass die Sicherheit des Geräts erhalten bleibt.

#### Zusätzliche Sicherheitswarnungen für das Gerät



Achtung! Zusätzliche Sicherheitswarnungen zum Schleifen, Bürsten, Polieren und Trennschleifen

- ◆ Dieses Gerät dient zum Schleifen, Bürsten, Polieren sowie zum Trennschleifen. Machen Sie sich mit sämtlichen Sicherheitswarnungen, Anweisungen, Abbildungen und technischen Daten des Geräts vertraut. Die Nichteinhaltung der nachstehend aufgeführten Anweisungen kann einen elektrischen Schlag, Brände und/oder schwere Verletzungen verursachen.
- ◆ Die unsachgemäße Verwendung von Geräten ist gefährlich und kann Verletzungen zur Folge haben.
- ◆ Verwenden Sie keine Zubehörteile, die nicht speziell für die Verwendung mit dem Gerät bestimmt und von Hersteller empfohlen sind. Die Tatsache, dass sich ein Zubehörteil an das Gerät anbringen lässt, gewährleistet keinen sicheren Betrieb.
- ◆ Die Nenndrehzahl des Zubehörteils muss mindestens der auf dem Gerät angegebenen maximalen Drehzahl entsprechen. Zubehörteile, deren Nenndrehzahl überschritten wird, können brechen, Einzelteile können umhergeschleudert werden.
- ◆ Der Außendurchmesser und die Stärke von Zubehörteilen müssen den Nennabmessungen des Geräts entsprechen. Zubehörteile mit falschen Abmessungen werden nicht ordnungsgemäß geschützt und gesteuert.
- ◆ Das Passstück von Scheiben, Flanschen, Schleiftellern und anderem Zubehör muss exakt auf die Spindel des Geräts passen. Zubehörteile mit Anschlussstücken, die nicht den Befestigungsteilen des Geräts entsprechen, laufen ungleichmäßig, vibrieren übermäßig und können einen Kontrollverlust zur Folge haben.
- ◆ Verwenden Sie keine beschädigten Zubehörteile. Überprüfen Sie Zubehörteile vor jeder Verwendung auf Folgendes: Trennscheiben auf Späne und Risse; Schleifteller auf Risse, Verschleiß und überdurchschnittliche Abnutzung; Drahtbürsten auf lose oder angebrochene Drähte. Überprüfen Sie heruntergefallene Geräte und Zubehörteile auf Beschädigungen, und bringen Sie ggf. ein unbeschädigtes Zubehörteil an. Betreiben Sie das Gerät, nachdem Sie es kontrolliert und ein Zubehörteil angebracht haben, eine Minute lang bei maximaler Leerlaufdrehzahl. In der Regel brechen beschädigte Zubehörteile während dieser Testphase.

- ◆ Tragen Sie eine geeignete Schutzausrüstung. Verwenden Sie entsprechend der Anwendung einen Gesichtsschutzschild bzw. eine Sicherheitsbrille. Tragen Sie ggf. eine Staubschutzmaske, einen Gehörschutz, Handschuhe und eine Werkstattschürze, die kleine Schleif- bzw. Werkstücke aufhalten kann. Der Augenschutz muss bei der jeweiligen Anwendung umhergeschleuderte Kleinteile abfangen können. Die Staubschutzmaske oder Atemschutzmaske muss den bei der jeweiligen Anwendung anfallenden Staub filtern können. Dauerhafter starker Lärm kann Gehörschäden verursachen.
- ◆ Sorgen Sie dafür, dass unbeteiligte Personen einen Sicherheitsabstand zum Arbeitsbereich einhalten. Alle Personen im Arbeitsbereich müssen über eine Schutzausrüstung verfügen. Bruchstücke von Werkstücken oder Zubehörteilen können umhergeschleudert werden und auch außerhalb des unmittelbaren Arbeitsbereichs Verletzungen verursachen.
- ◆ Halten Sie das Gerät ausschließlich an den isolierten **Griffflächen, wenn Sie Arbeiten ausführen, bei denen das Werkzeug ein verdecktes Kabel oder das Gerätekabel berühren könnte**. Der Kontakt mit stromführenden Leitungen kann auch offenliegende Metallteile am Gerät unter Strom setzen und zu einem Stromschlag führen.
- ◆ Halten Sie das Kabel vom rotierenden Zubehörteil fern. Wenn Sie die Kontrolle verlieren, kann das Kabel durchtrennt werden oder sich im Zubehörteil verfangen. Dies kann dazu führen, dass die Hand oder der Arm in das rotierende Zubehörteil gezogen werden.
- ◆ Legen Sie das Gerät erst dann ab, wenn das Zubehörteil zum vollständigen Stillstand gekommen ist. Das rotierende Zubehörteil kann die Oberfläche der Ablage erfassen und das Gerät zurückschlagen lassen.
- ◆ Betreiben Sie das Gerät nicht, während Sie es seitlich tragen. Das rotierende Zubehörteil kann sich in der Kleidung verfangen und in Kontakt mit Ihrem Körper kommen.
- ◆ Reinigen Sie die Lüftungsschlitze des Geräts regelmäßig. Der Motorlüfter verursacht eine Staubansammlung innerhalb des Gehäuses. Große Mengen angesammelter Metallstaubs können elektrische Fehlfunktionen und Stromschläge verursachen.
- ◆ Betreiben Sie das Gerät nicht in der Umgebung brennbarer Materialien. Diese Materialien können durch Funken entzündet werden.
- ◆ **Verwenden Sie keine Zubehörteile, die flüssige Kühlmittel erfordern.** Wasser oder andere flüssige Kühlmittel können Stromschläge verursachen.

Hinweis: Die vorherige Warnung gilt nicht für Geräte, die speziell für Flüssigkeitssysteme entwickelt wurden.

## Rückschlag und zugehörige Warnungen

Ein Rückschlag ist eine plötzliche Bewegung, die durch eine Scheibe, einen Schleifteller, eine Bürste oder ein anderes verklemmtes oder verfangenes Zubehörteil verursacht wird. Wenn sich ein rotierendes Zubehörteil verklemmt oder verkantet, wird dieses plötzlich abgebremst, sodass das Gerät an der Befestigungsstelle unkontrolliert in die der Drehrichtung des Zubehörteils entgegengesetzte Richtung ausschlägt.

Beispielsweise kann das Verklemmen bzw. Verkanten einer Trennscheibe dazu führen, dass die Kante der Scheibe am Quetschpunkt in die Oberfläche des Werkstücks eindringt und die Scheibe heraustritt oder ausschlägt. Entsprechend der Drehrichtung zum Zeitpunkt des Verklemmens springt die Scheibe entweder in Richtung des Bedieners oder in die Gegenrichtung. Trennscheiben können unter diesen Bedingungen auch brechen.

Ein Rückschlag wird durch falsche Bedienung bzw. unsachgemäße Verwendung des Geräts oder ungeeignete Arbeitsbedingungen hervorgerufen. Er kann durch die folgenden Vorsichtsmaßnahmen vermieden werden.

- ◆ Durch einen festen Griff mit beiden Händen und eine entsprechende Körper- und Armhaltung können die Kräfte eines Rückschlags aufgefangen werden. Verwenden Sie stets einen Zusatzgriff, wenn dieser im Lieferumfang enthalten ist, um Rückschläge und Drehmomentkräfte beim Starten des Geräts zu vermeiden. Drehmoment- bzw. Rückschlagkräfte können vom Bediener durch entsprechende Vorsichtsmaßnahmen kontrolliert werden.
- ◆ Halten Sie Ihre Hände stets von rotierenden Zubehörteilen fern. Ein Rückschlag kann dazu führen, dass das Zubehörteil Ihre Hände berührt.
- ◆ Meiden Sie die Bereiche, in die sich das Gerät im Fall eines Rückschlags bewegen würde. Das Gerät wird bei einem Rückschlag entgegen der Drehrichtung der Scheibe zum Zeitpunkt des Verkantens bewegt.
- ◆ Gehen Sie bei der Arbeit in Ecken, an scharfen Kanten usw. besonders vorsichtig vor. Vermeiden Sie ein Springen bzw. Verkanten des Zubehörteils. Ecken, scharfe Kanten und das Springen des Geräts können dazu führen, dass sich das Zubehörteil verfängt und einen Kontrollverlust bzw. Rückschlag verursacht.
- ◆ Verwenden Sie kein Ketten- oder gezahntes Sägeblatt. Diese Sägeblätter verursachen häufig einen Rückschlag oder den Verlust der Gerätekontrolle.

## Besondere Sicherheitshinweise zum Schleifen und Trennschleifen

- ◆ Verwenden Sie ausschließlich für das Gerät zugelassene Scheiben und die dafür vorgesehenen Schutzvorrichtungen. Scheiben, die nicht für das Gerät entwickelt wurden, können nicht ausreichend geschützt werden und sind unsicher.
- ◆ Die Schutzvorrichtung muss sicher am Gerät angebracht und auf ein Höchstmaß an Sicherheit eingestellt werden. Dabei zeigt der kleinstmögliche Teil der Scheibe offen in Richtung des Bedieners. Die Schutzvorrichtung dient zum Schutz des Bedieners vor Bruchstücken und einem unbeabsichtigten Berühren der Scheibe.
- ◆ Scheiben dürfen ausschließlich für empfohlene Anwendungen verwendet werden. Verwenden Sie beispielsweise die Seite einer Trennscheibe nicht zum Schleifen. Trennscheiben dienen zum horizontalen Durchtrennen. Wird Druck auf deren Seiten ausgeübt, können diese Scheiben splintern.
- ◆ **Verwenden Sie stets unbeschädigte Scheibenflansche** der richtigen Größe und Form für die entsprechende Scheibe. Geeignete Scheibenflansche stützen die Scheibe und vermindern so die Gefahr von Scheibenbruch. Trennscheibenflansche unterscheiden sich möglicherweise von Schleifscheibenflanschen.
- ◆ Verwenden Sie keine abgenutzten Scheiben von größeren Geräten. Scheiben für größere Geräte sind nicht für die höheren Drehzahlen von kleineren Geräten ausgelegt und können brechen.

## Weitere besondere Sicherheitshinweise zum Trennschleifen

- ◆ Vermeiden Sie ein Blockieren der Trennscheibe oder zu hohen Anpressdruck. Führen Sie keine übermäßig tiefen Schnitte durch. Eine Überlastung der Trennscheibe erhöht die Beanspruchung und die Anfälligkeit zum Verkanten oder Blockieren und damit die Möglichkeit eines Rückschlags oder Scheibenbruchs.
- ◆ Meiden Sie den Bereich vor und hinter der rotierenden Trennscheibe. Wenn sich die Scheibe am Werkstück von ihnen wegbewegt, kann Ihnen im Fall eines Rückschlags das Gerät mit der sich drehenden Scheibe entgegen geschleudert werden.
- ◆ Wenn die Trennscheibe verkantet oder Sie die Arbeit aus sonstigen Gründen unterbrechen, schalten Sie das Gerät aus, und halten Sie es ruhig, bis die Scheibe vollständig zum Stillstand gekommen ist. Versuchen Sie nie, die noch laufende Trennscheibe aus dem Schnitt zu ziehen, da sonst ein Rückschlag erfolgen kann. Ermitteln Sie die Ursache für die verkantete Trennscheibe, und ergreifen Sie entsprechende Gegenmaßnahmen.

- ◆ Schalten Sie das Gerät nicht wieder ein, solange **es sich im Werkstück befindet. Warten Sie, bis die** Trennscheibe die volle Drehzahl erreicht hat, bevor Sie das Gerät wieder in den Schnitt einführen. Wenn das Gerät im Werkstück gestartet wird, kann es verkanten, aus dem Werkstück springen oder einen Rückschlag verursachen.
- ◆ Stützen Sie Platten oder große Werkstücke ab, um die Gefahr einer eingeklemmten Trennscheibe und eines Rückschlags zu vermindern. Große Werkstücke können sich unter ihrem eigenen Gewicht durchbiegen. Das Werkstück muss auf beiden Seiten des Schnitts von unten abgestützt werden, und zwar nahe der Schnittlinie und nahe am Werkstückrand.
- ◆ Gehen Sie beim Ausschägen in Wänden oder sonstigen unübersichtlichen Bereichen besonders vorsichtig vor. Die eintauchende Trennscheibe kann in Gas-, Wasser- oder elektrische Leitungen eindringen oder andere Objekte schneiden, die einen Rückschlag verursachen.

## Besondere Sicherheitshinweise zum Sandpapierschleifen

- ◆ Verwenden Sie keine überdimensionierten Schleifblätter. Befolgen Sie die Herstellerangaben zur Schleifblattgröße. Schleifblätter, die über den Schleifteller herausragen, können Verletzungen verursachen und zum Blockieren bzw. Zerreißen der Schleifblätter oder zum Rückschlag führen.

## Besondere Sicherheitshinweise zum Arbeiten mit der Polierhaube

- ◆ Vergewissern Sie sich, dass keine losen Teile der Polierhaube oder deren Befestigung umherschleudern können. Fixieren oder kürzen Sie lose Befestigungen. Lose und frei umherschleudernde Befestigungen können sich um Ihre Finger schlingen oder sich am Werkstück verhaken.

## Besondere Sicherheitshinweise zum Arbeiten mit Drahtbürsten

- ◆ Beachten Sie, dass die Drahtbürste auch während des üblichen Gebrauchs Drahtstücke verliert. Überlasten Sie die Drähte nicht durch zu hohen Anpressdruck. Drahtstücke können dünne Kleidung und/oder Haut problemlos durchdringen.
- ◆ Wenn zum Verwenden der Drahtbürste eine Schutzvorrichtung empfohlen wird, achten Sie darauf, dass Drahtscheibe und -bürste nicht durch diese behindert werden. Aufgrund von Betriebsbelastung und Zentrifugalkräften kann sich der Durchmesser von Drahtscheibe und -bürste vergrößern.

## Sicherheit anderer Personen

- ◆ Dieses Gerät darf nicht von Personen (einschließlich Kindern) mit eingeschränkten körperlichen, sensorischen oder geistigen Fähigkeiten sowie mangelnder Erfahrung und Kenntnissen bedient werden, es sei denn, sie werden bei der Verwendung des Geräts von einer erfahrenen Person beaufsichtigt oder angeleitet.
- ◆ Kinder müssen beaufsichtigt werden, um sicherzustellen, dass sie nicht mit dem Gerät spielen.

## Restrisiken.

Für den Gebrauch dieses Geräts verbleiben zusätzliche Restrisiken, die möglicherweise nicht in den Sicherheitswarnungen genannt werden. Diese Risiken bestehen beispielsweise bei Missbrauch oder längerem Gebrauch.

Auch bei der Einhaltung der entsprechenden Sicherheitsvorschriften und der Verwendung aller Sicherheitsgeräte bestehen weiterhin bestimmte Restrisiken. Diese werden im Folgenden aufgeführt:

- ◆ Verletzungen, die durch das Berühren von sich drehenden/bewegenden Teilen verursacht werden.
- ◆ Verletzungen, die durch das Austauschen von Teilen, Messern oder Zubehör verursacht werden.
- ◆ Verletzungen, die durch längeren Gebrauch eines Geräts verursacht werden. Legen Sie bei längerem Gebrauch regelmäßige Pausen ein.
- ◆ Beeinträchtigung des Gehörs.
- ◆ Gesundheitsrisiken durch das Einatmen von Staub bei Verwendung des Geräts (beispielsweise bei Holzarbeiten, insbesondere Eiche, Buche und Pressspan).

## Vibration

Die in den Abschnitten „Technische Daten“ und „EG-Konformitätserklärung“ angegebenen Werte für die Vibrationsemission wurden mit einer Standard-Prüfmethode nach EN 60745 ermittelt und können zum Vergleich verschiedener Geräte herangezogen werden. Außerdem kann mit Hilfe dieses Werts die Belastung bei Verwendung des Geräts schon im Voraus eingeschätzt werden.

**Achtung!** Die bei Verwendung des Geräts auftretende Vibrationsemission hängt von der Art des Gerätegebrauchs ab und kann dementsprechend von dem angegebenen Wert abweichen. Gegebenenfalls kann die Vibration über dem angegebenen Wert liegen.

Für die Ermittlung der Vibrationsbelastung müssen die tatsächlichen Einsatzbedingungen und Verwendungen des Geräts während des gesamten Arbeitsgangs berücksichtigt werden, einschließlich der Zeiten, wenn das Gerät nicht verwendet oder im Leerlauf betrieben wird. Diese Werte werden benötigt, um die gemäß 2002/44/EG erforderlichen Sicherheitsmaßnahmen zum Schutz von Personen festlegen zu können.

## Warnsymbole am Gerät

Am Gerät sind folgende Warnsymbole angebracht:



**Achtung!** Lesen Sie vor Gebrauch die Anleitung. Andernfalls besteht Verletzungsgefahr.



Tragen Sie eine Schutzbrille, wenn Sie mit dem Gerät arbeiten.



Tragen Sie einen Gehörschutz, wenn Sie mit dem Gerät arbeiten.

## Elektrische Sicherheit



Dieses Gerät ist schutzisoliert, daher ist keine Erdleitung erforderlich. Überprüfen Sie stets, ob die Netzspannung der auf dem Typenschild des Geräts angegebenen Spannung entspricht.

- ◆ Wenn das Netzkabel beschädigt ist, muss es durch den Hersteller oder eine Black & Decker Vertragswerkstatt ausgetauscht werden, um eine mögliche Gefährdung zu vermeiden.

## Merkmale

Dieses Gerät verfügt über einige oder alle der folgenden Merkmale.

1. Ein-/Ausshalter
2. Seitlicher Haltegriff
3. Spindelarreterung
4. Schutzvorrichtung

## Montage

**Achtung!** Vergewissern Sie sich vor der Montage, dass das Gerät ausgeschaltet ist und der Netzstecker gezogen wurde.



## Anbringen und Entfernen der Schutzvorrichtung (Abb. A bis B)

Das Gerät ist mit einer Schutzvorrichtung ausgestattet, die nur für Schleifarbeiten vorgesehen ist. Wenn mit dem Gerät Schneidarbeiten ausgeführt werden sollen, muss eine entsprechende Schutzvorrichtung angebracht werden. Für Schneidarbeiten sind die Schutzvorrichtungen mit der Teilenummer 1004484-06 für KG701/KG901 und 1004484-07 für KG902 erhältlich und können über eine Black & Decker Werkstatt bezogen werden.

### Montage

- ◆ Legen Sie das Gerät mit der Spindel (5) nach oben auf einen Tisch.
- ◆ Entriegeln Sie die Klemmvorrichtung (7), und positionieren Sie die Schutzvorrichtung (4) wie dargestellt über dem Gerät.
- ◆ Richten Sie die Zapfen (8) an den Aussparungen (9) aus.
- ◆ Drücken Sie die Schutzvorrichtung nach unten, und drehen Sie sie entgegen dem Uhrzeigersinn in die gewünschte Position.
- ◆ Verriegeln Sie die Klemmvorrichtung (7), um die Schutzvorrichtung am Gerät zu befestigen.
- ◆ Ziehen Sie, falls erforderlich, die Schraube (6) fest, um die Haltekraft zu erhöhen.

### Abnehmen

- ◆ Entriegeln Sie die Klemmvorrichtung (7).
- ◆ Drehen Sie die Schutzvorrichtung im Uhrzeigersinn, um die Zapfen (8) an den Aussparungen (9) auszurichten.
- ◆ Entfernen Sie die Schutzvorrichtung vom Gerät.

**Achtung!** Verwenden Sie das Gerät keinesfalls ohne Schutzvorrichtung.

### Anbringen des seitlichen Haltegriffs

- ◆ Schrauben Sie den seitlichen Haltegriff (2) in eines der Montagelöcher des Geräts.

**Achtung!** Verwenden Sie stets den seitlichen Haltegriff.

### Anbringen und Abnehmen von Schleif- oder Trennscheiben (Abb. B bis D)

Verwenden Sie stets die für die jeweilige Arbeit passende Scheibenart. Verwenden Sie stets Scheiben mit geeignetem Durchmesser und Bohrungsdurchmesser (siehe "Technische Daten").

### Montage

- ◆ Bringen Sie die Schutzvorrichtung wie oben beschrieben an.
- ◆ Setzen Sie den inneren Flansch (10) wie in Abb. B dargestellt auf die Spindel (5) auf. Überprüfen Sie, ob der Flansch ordnungsgemäß an den abgeflachten Seiten der Spindel aufsitzt.

- ◆ Setzen Sie die Scheibe (11) wie in Abb. B dargestellt auf die Spindel (5) auf. Weist die Scheibe in der Mitte eine Erhöhung (12) auf, muss diese Erhöhung in Richtung des inneren Flansches zeigen.
- ◆ Überprüfen Sie, dass die Scheibe richtig auf dem inneren Flansch aufsitzt.
- ◆ Setzen Sie den äußeren Flansch (13) auf die Spindel auf. Beim Anbringen einer Schleifscheibe ist darauf zu achten, dass die Erhöhung in der Mitte des äußeren Flansches in Richtung der Scheibe zeigt (A in Abb. C). Beim Anbringen einer Trennscheibe muss die Erhöhung in der Mitte des äußeren Flanschs von der Scheibe weg zeigen (B in Abb. C).
- ◆ Halten Sie die Spindelarretierung (3) gedrückt, und ziehen Sie den äußeren Flansch mithilfe des Zweilochschlüssels (14) fest (Abb. D).

### Abnehmen

- ◆ Halten Sie die Spindelarretierung (3) gedrückt, und lösen Sie den äußeren Flansch (13) mithilfe des Zweilochschlüssels (14) (Abb. D).
- ◆ Nehmen Sie den äußeren Flansch (13) und die Scheibe (11) ab.

### Anbringen und Abnehmen der Schleifscheibe (Abb. D und E)

Zum Schleifen wird ein Schleifteller benötigt. Schleifteller erhalten Sie im Black & Decker Fachhandel als Zubehörteil.

### Anbringen

- ◆ Setzen Sie den inneren Flansch (10) wie in Abb. E dargestellt auf die Spindel (5) auf. Überprüfen Sie, ob der Flansch ordnungsgemäß an den abgeflachten Seiten der Spindel aufsitzt.
- ◆ Setzen Sie den Schleifteller (15) auf die Spindel auf.
- ◆ Setzen Sie die Schleifscheibe (16) auf den Schleifteller auf.
- ◆ Setzen Sie den äußeren Flansch (13) so auf die Spindel auf, dass die Erhöhung in der Mitte des Flansches von der Scheibe weg zeigt.
- ◆ Halten Sie die Spindelarretierung (3) gedrückt, und ziehen Sie den äußeren Flansch mithilfe des Zweilochschlüssels (14) fest (Abb. D). Überprüfen Sie, ob der äußere Flansch korrekt angebracht ist und die Scheibe fest aufsitzt.

### Abnehmen

- ◆ Halten Sie die Spindelarretierung (3) gedrückt, und lösen Sie den äußeren Flansch (13) mithilfe des Zweilochschlüssels (14) (Abb. D).
- ◆ Entfernen Sie den äußeren Flansch (13), die Schleifscheibe (16) und den Schleifteller (15).

## Gebrauch

**Achtung!** Beschleunigen Sie den Arbeitsvorgang nicht mit Gewalt. Vermeiden Sie eine Überlastung des Geräts.

- ◆ Achten Sie auf sorgfältige Kabelführung, um unbeabsichtigte Kabelschäden zu vermeiden.
- ◆ Beachten Sie, dass Funken entstehen können, wenn die Schleif- oder Trennscheibe mit dem Werkstück in Berührung kommt.
- ◆ Positionieren Sie das Gerät stets so, dass Sie durch die Schutzvorrichtung optimal vor der Schleif- oder Trennscheibe geschützt sind.

## Ein- und Ausschalten

- ◆ Zum Einschalten des Geräts schieben Sie den Ein-/Ausschalter (1) nach vorn. Beachten Sie, dass das Gerät weiter läuft, wenn Sie den Schalter loslassen.
- ◆ Zum Ausschalten des Geräts drücken Sie auf den hinteren Teil des Ein-/Ausschalters.

**Achtung!** Schalten Sie das Gerät nicht unter Last aus.

## Hinweise für optimale Arbeitsergebnisse

- ◆ Halten Sie das Gerät mit einer Hand am seitlichen Haltegriff und der anderen Hand am Hauptgriff sicher fest.
- ◆ Achten Sie beim Schleifen auf einen Winkel von ca. 15° zwischen der Schleifscheibe und der Oberkante des Werkstücks.

## Wartung

Ihr Black & Decker Gerät (mit und ohne Netzkabel) wurde im Hinblick auf eine lange Lebensdauer und einen möglichst geringen Wartungsaufwand entwickelt. Ein dauerhafter, einwandfreier Betrieb setzt eine regelmäßige Pflege und Reinigung voraus.

**Achtung!** Vor dem Ausführen jeglicher Wartungsarbeiten an Geräten mit und ohne Netzkabel:

- ◆ Schalten Sie das Gerät aus, und ziehen Sie den Netzstecker.
- ◆ Wenn das Gerät über einen separaten Batteriepack oder Akku verfügt, schalten Sie das Gerät ab, und entnehmen Sie die Batterien aus dem Gerät.
- ◆ Wenn der Akku integriert ist, entladen Sie diesen vor dem Abschalten vollständig.
- ◆ Ziehen Sie das Ladegerät aus der Netzsteckdose, bevor Sie es reinigen. Das Ladegerät benötigt keine Wartung, es sollte aber regelmäßig gereinigt werden.
- ◆ Reinigen Sie regelmäßig die Lüftungsschlitze des Geräts und des Ladegeräts mit einer weichen Bürste oder einem trockenen Tuch.
- ◆ Reinigen Sie das Motorgehäuse regelmäßig mit einem feuchten Tuch. Verwenden Sie keine scheuernden Reinigungsmittel oder Lösungsmittel auf Lösungsmittelbasis.

- ◆ Öffnen Sie regelmäßig das Spannfutter, und entfernen Sie durch Klopfen ggf. Staub aus dem Inneren des Geräts.

## Austauschen des Netzsteckers (nur Großbritannien und Irland)

Gehen Sie folgendermaßen vor, wenn ein neuer Netzstecker angeschlossen werden muss:

- ◆ Entsorgen Sie den alten Stecker auf sachgerechte Weise.
- ◆ Verbinden Sie die braune Leitung mit dem spannungsführenden Anschluss des Steckers.
- ◆ Verbinden Sie die blaue Leitung mit dem neutralen Anschluss.

**Achtung!** Der Erdleiter wird nicht angeschlossen. Befolgen Sie die Anleitungen, die dem Stecker beiliegen. Empfohlene Sicherung: 13 A.

## Umweltschutz



Getrennte Entsorgung. Dieses Produkt darf keinesfalls mit dem Hausmüll entsorgt werden.

Sollten Sie Ihr Black & Decker Produkt eines Tages ersetzen oder nicht mehr benötigen, entsorgen Sie es nicht mit dem Hausmüll. Führen Sie das Produkt einer getrennten Sammlung zu.



Durch die separate Sammlung von ausgedienten Produkten und Verpackungsmaterialien können Rohstoffe recycelt und wiederverwendet werden. Die Wiederverwendung aufbereiteter Materialien trägt zur Vermeidung der Umweltverschmutzung bei und senkt den Rohstoffbedarf.

Die Verordnung zur Abfallentsorgung Ihrer Gemeinde sieht möglicherweise vor, dass Elektrogeräte getrennt vom Hausmüll gesammelt, an der örtlichen Abfallentsorgungseinrichtung abgegeben oder beim Kauf eines neuen Produkts vom Fachhandel zur Entsorgung angenommen werden müssen.

Black & Decker nimmt Ihre ausgedienten Black & Decker Geräte gern zurück und sorgt für eine umweltfreundliche Entsorgung bzw. Wiederverwertung. Um diese Dienstleistung in Anspruch zu nehmen, geben Sie das Gerät bitte bei einer autorisierten Reparaturwerkstatt ab, die für uns die Einsammlung übernimmt.

Die Adresse der zuständigen Niederlassung von Black & Decker steht in dieser Anleitung. Dort teilt man Ihnen gerne die nächstgelegene Vertragswerkstatt mit. Eine Liste der Vertragswerkstätten und aller Kundendienststellen von Black & Decker sowie der zuständigen Ansprechpartner finden Sie auch im Internet unter: [www.2helpU.com](http://www.2helpU.com)

## Technische Daten

		KG701 (Type 1)	KG901 (Type 1)	KG902 (Type 1)
Eingangsspannung	V <sub>ac</sub>	230	230	230
Leistungsaufnahme	W	710	900	900
Leerlaufdrehzahl	min <sup>-1</sup>	10,500	11,000	11,000
Scheibendurchmesser	mm	115	115	125
Bohrungsdurchmesser der Scheibe	mm	22	22	22
<b>Max. Scheibenstärke</b>				
Schleifscheiben	mm	6	6	6
Trennscheiben	mm	3.5	3.5	3.5
Spindelgewinde		M14	M14	M14
Gewicht	kg	2.1	2.1	2.1

L <sub>PA</sub> (Schalldruckpegel) 92.6 dB(A), Unsicherheit (K) 3 dB(A)
L <sub>WA</sub> (Schalleistungspegel) 103.6 dB(A), Unsicherheit (K) 3 dB(A)
Schwingungsgesamtwerte (Vektorsumme dreier Richtungen) gemäß EN 60745:
Oberflächenschleifen (a <sub>n,SG</sub> ) 9.9 m/s <sup>2</sup> , Unsicherheit (K) 1.5 m/s <sup>2</sup>
Trennschneiden (a <sub>n</sub> ) 6.2 m/s <sup>2</sup> , Unsicherheit (K) 1.5 m/s <sup>2</sup>
Polieren (a <sub>n,P</sub> ) 4.6 m/s <sup>2</sup> , Unsicherheit (K) 1.5 m/s <sup>2</sup>
Schleifen (a <sub>n,DS</sub> ) 9.6 m/s <sup>2</sup> , Unsicherheit (K) 1.5 m/s <sup>2</sup>
Bürsten (a <sub>n</sub> ) 10.2 m/s <sup>2</sup> , Unsicherheit (K) 1.5 m/s <sup>2</sup>

## EG-Conformitätserklärung

MASCHINENRICHTLINIE



KG701 / KG901 / KG902

Black & Decker erklärt, dass diese unter "Technische Daten" beschriebenen Geräte übereinstimmen mit: 2006/42/EG, EN 60745-1, EN 60745-2-3

Diese Produkte entsprechen außerdem den Richtlinien 2004/108/EG und 2011/65/EU.

Weitere Informationen erhalten Sie von Black & Decker unter der folgenden Adresse. Diese befindet sich auch auf der Rückseite dieser Anleitung.

Der Unterzeichnete ist verantwortlich für die Zusammenstellung der technischen Daten und gibt diese Erklärung im Namen von Black & Decker ab.

Kevin Hewitt  
Vice-President Global Engineering  
Black & Decker Europe, 210 Bath Road, Slough,  
Berkshire, SL1 3YD, United Kingdom  
30/03/2012

## Garantie

Black & Decker vertraut auf die Qualität der eigenen Geräte und bietet dem Käufer eine außergewöhnliche Garantie. Diese Garantiezusage versteht sich unbeschadet der gesetzlichen Gewährleistungsansprüche und schränkt diese keinesfalls ein. Sie gilt in sämtlichen Mitgliedstaaten der Europäischen Union und der Europäischen Freihandelszone EFTA.

Tritt innerhalb von 24 Monaten ab Kaufdatum an einem Gerät von Black & Decker ein auf Material- oder Verarbeitungsfehler zurückzuführender Mangel auf, garantiert Black & Decker den Austausch defekter Teile, die Reparatur von Geräten mit üblichem Verschleiß bzw. den Austausch eines mangelhaften Gerätes, ohne den Kunden dabei mehr als unbedingt nötig in Anspruch zu nehmen, allerdings vorbehaltlich folgender Ausnahmen:

- ◆ wenn das Gerät gewerblich, beruflich oder im Verleihegeschäft benutzt wurde;
- ◆ wenn das Gerät missbräuchlich verwendet oder mit mangelnder Sorgfalt behandelt wurde;
- ◆ wenn das Gerät durch irgendwelche Fremdeinwirkung beschädigt wurde;
- ◆ wenn ein unbefugter Reparaturversuch durch anderes Personal als das einer Vertragswerkstatt oder des Black & Decker Kundendienstes unternommen wurde.

Zur Inanspruchnahme dieser Garantie ist dem Verkäufer bzw. der Vertragswerkstatt ein Kaufnachweis vorzulegen. Die Adresse der zuständigen Niederlassung von Black & Decker steht in dieser Anleitung. Dort teilt man Ihnen gerne die nächstgelegene Vertragswerkstatt mit. Eine Liste der Vertragswerkstätten und aller Kundendienststellen von Black & Decker sowie der zuständigen Ansprechpartner finden Sie auch im Internet unter: [www.2helpU.com](http://www.2helpU.com)

Bitte besuchen Sie unsere Website [www.blackanddecker.de](http://www.blackanddecker.de), um Ihr neues Black & Decker Produkt zu registrieren. Dort erhalten Sie auch Informationen über neue Produkte und Sonderangebote. Weitere Informationen über die Marke Black & Decker und unsere Produkte finden Sie unter [www.blackanddecker.de](http://www.blackanddecker.de).

## Utilisation

Votre meuleuse d'angle Black & Decker est conçue pour meuler et couper du métal et de la pierre à l'aide du disque de meulage ou de coupe approprié. Avec la protection appropriée, cet outil est destiné à une utilisation exclusivement domestique.

## Consignes de sécurité

### Consignes de sécurité concernant les outils électroportatifs



Attention ! Lisez avec attention tous les avertissements et toutes les instructions. Le non-respect de cette consigne peut entraîner une électrocution, un incendie et/ou de graves blessures.

Conservez tous les avertissements et instructions pour référence ultérieure. La notion d'« outil électroportatif » mentionnée par la suite se rapporte à des outils électriques raccordés au secteur (avec câble de raccordement) ou fonctionnant avec piles (sans fil).

1. Sécurité de la zone de travail
  - a. Maintenez la zone de travail propre et bien éclairée. Un lieu de travail en désordre ou mal éclairé augmente le risque d'accidents.
  - b. N'utilisez pas les outils électroportatifs dans un **environnement présentant des risques d'explosion ni en présence de liquides, gaz ou poussières inflammables**. Les outils électroportatifs génèrent des étincelles risquant d'enflammer les poussières ou les vapeurs.
  - c. Pendant l'utilisation d'un outil électroportatif, les enfants et autres personnes doivent rester éloignés. En cas d'inattention, vous risquez de perdre le contrôle de l'outil.
2. Sécurité électrique
  - a. La prise de l'outil électroportatif doit être compatible avec la prise d'alimentation. Ne modifiez en aucun cas la prise. N'utilisez pas de prises d'adaptateur avec des appareils ayant une prise de terre. Le respect de ces consignes réduit le risque de choc électrique.
  - b. **Évitez le contact physique avec des surfaces mises à la terre telles que tuyaux, radiateurs, fours et réfrigérateurs**. Le risque de choc électrique augmente si votre corps est relié à la terre.
  - c. N'exposez pas l'outil électroportatif à la pluie ou à l'humidité. La pénétration d'eau dans un outil électroportatif augmente le risque de choc électrique.
  - d. Préservez le câble d'alimentation. N'utilisez pas le câble pour porter l'outil, pour l'accrocher. Ne le tirez pas pour le débrancher. Maintenez le câble éloigné des sources de chaleurs, des parties huilées, des bords tranchants ou des pièces en rotation. Le risque de choc électrique augmente si les câbles sont endommagés ou emmêlés.
  - e. Si vous utilisez l'outil électroportatif à l'extérieur, utilisez une rallonge homologuée pour une utilisation à l'extérieur. L'utilisation d'une rallonge électrique homologuée pour les travaux à l'extérieur réduit le risque de choc électrique.
  - f. Si l'outil doit être utilisé dans un endroit humide, prenez les précautions nécessaires en utilisant un dispositif à courant résiduel (RCD). L'utilisation d'un tel dispositif réduit les risques d'électrocution.
3. Sécurité personnelle
  - a. **Restez vigilant, surveillez ce que vous faites. Faites preuve de bon sens quand vous utilisez un outil électroportatif. N'utilisez pas l'outil lorsque vous êtes fatigué ou après avoir consommé de l'alcool ainsi que des médicaments**. Un moment d'inattention en utilisant l'outil peut entraîner de graves blessures.
  - b. **Portez un équipement de protection. Portez toujours des lunettes de protection**. Selon le travail à effectuer, le port d'équipement de protection tels que masque anti-poussières, chaussures de sécurité antidérapantes, casque ou protection auditive, réduit le risque de blessures.
  - c. Évitez un démarrage imprévu. L'appareil doit être en position OFF (arrêt) avant d'effectuer le branchement à l'alimentation et/ou au bloc-batterie, de le ramasser ou de le porter. Ne laissez pas votre doigt sur le bouton de commande en le transportant. N'alimentez pas l'outil si le bouton est activé. Ceci pourrait être à l'origine d'accident.
  - d. Retirez les outils ou clés de réglage avant de mettre l'outil en marche. Une clé ou un outil se trouvant sur une partie en rotation peut causer des blessures.
  - e. Adoptez une position confortable. Adoptez une **position stable et gardez votre équilibre en permanence**. Vous contrôlerez ainsi mieux l'outil dans des situations inattendues.
  - f. Portez des vêtements appropriés. Ne portez pas de vêtements amples ou de bijoux. N'approchez pas les cheveux, vêtements ou gants des parties des pièces mobiles. Les vêtements amples, les bijoux ou les cheveux longs peuvent s'accrocher dans les pièces en mouvement.

- g. En cas d'utilisation d'appareils servant à aspirer ou à recueillir les poussières, assurez-vous qu'ils sont correctement raccordés et utilisés. L'utilisation de tels dispositifs réduit les dangers dus aux poussières.
4. Utilisation des outils électroportatifs et précautions
- a. Respectez la capacité de l'outil. Utilisez l'outil électroportatif approprié pour le travail à effectuer. Avec un outil approprié, vous travaillerez mieux et en toute sécurité.
- b. N'utilisez pas un outil électroportatif dont le bouton marche/arrêt est défectueux. Un outil électroportatif qui ne répond pas à la commande marche/arrêt est dangereux et doit être réparé.
- c. Retirez la prise de courant et/ou débranchez le bloc-batterie avant d'effectuer des réglages, de changer les accessoires ou de ranger l'outil. Cette mesure de précaution empêche de mettre l'outil en marche accidentellement.
- d. Rangez les outils électroportatifs hors de portée des enfants. Les personnes ne connaissant pas l'outil ou n'ayant pas lu ces instructions ne doivent en aucun cas l'utiliser. Les outils électroportatifs sont dangereux lorsqu'ils sont utilisés par des personnes non initiées.
- e. **Entretenez les outils électroportatifs. Vérifiez que les parties en mouvement fonctionnent correctement et qu'elles ne sont pas coincées. Vérifiez qu'il n'y a pas de pièces cassées ou endommagées susceptibles de nuire au bon fonctionnement de l'outil. S'il est endommagé, faites réparer l'outil avant de l'utiliser.** De nombreux accidents sont la conséquence d'outils mal entretenus.
- f. Les outils de coupe doivent toujours être aiguisés et propres. Des outils soigneusement entretenus avec des bords tranchants bien aiguisés se coincent moins souvent et peuvent être guidés plus facilement.
- g. Utilisez les outils électroportatifs, les accessoires, etc. en suivant ces instructions et en tenant compte des **conditions de travail, ainsi que du travail à effectuer.** L'utilisation des outils électroportatifs à d'autres fins que celles prévues peut vous mettre en situation dangereuse.
5. Réparations
- a. **Faites réparer votre outil électroportatif uniquement par du personnel qualifié et seulement avec des pièces de rechange appropriées.** Cela garantira le maintien de la sécurité de votre outil.

## Consignes de sécurité supplémentaires concernant les outils électroportatifs



Attention ! Consignes de sécurité supplémentaires pour meuler, poncer, nettoyer avec une brosse métallique ou découper par abrasion

- ◆ Cet outil peut être utilisé comme meuleuse, ponceuse, brosse métallique, polisseuse ou outil à tronçonner. Lisez avec attention tous les avertissements, instructions, illustrations et spécifications donnés avec cet outil. Le non-respect des instructions indiquées ci-dessous peut entraîner une électrocution, un incendie et/ou de graves blessures.
- ◆ **L'utilisation des outils électroportatifs à d'autres fins que celles prévues présente un danger et peut causer des blessures graves.**
- ◆ **Seuls les accessoires spécialement conçus et recommandés par le fabricant doivent être utilisés.** Si l'accessoire peut être fixé à l'outil, cela ne signifie pas que votre outil fonctionne en toute sécurité.
- ◆ La vitesse nominale des accessoires doit être au moins égale à la vitesse maximale inscrite sur l'outil. Les accessoires dont la rotation est plus rapide que la vitesse nominale peuvent se briser en plusieurs morceaux.
- ◆ Le diamètre extérieur et l'épaisseur de votre accessoire doivent correspondre à la capacité nominale de votre outil. Il est impossible de garantir la protection ou le contrôle des accessoires de dimension incorrecte.
- ◆ **La dimension de l'alésage central des disques, des flasques, du plateau porte-disques ou autres accessoires doit correspondre exactement à l'axe de l'outil.** Les accessoires avec un alésage central qui ne correspond pas au matériel de fixation de l'outil peuvent être difficiles à contrôler. Le niveau de vibrations peut augmenter, ce qui peut causer la perte du contrôle.
- ◆ N'utilisez pas d'accessoires endommagés. Avant chaque utilisation, vérifiez l'état des accessoires ; la présence de copeaux et de fissures sur les disques polisseurs, des fissures ou une usure excessive sur le plateau porte-disque, des poils de brosse métallique endommagés. Si l'outil ou l'accessoire tombe, vérifiez l'état ou le cas échéant, installez un accessoire en bon état. Après la vérification et l'installation d'un accessoire, mettez l'outil en marche à vitesse à vide maximale pendant une minute. Les accessoires endommagés ne résistent en général pas au cours de cette période d'essai.

- ◆ **Portez un équipement de protection. En fonction du travail à exécuter, utilisez un masque ou des lunettes de protection. Le cas échéant, portez un masque anti-poussière, des protections auditives, des gants et un tablier de travail afin de vous protéger des éventuels éclats.** En protégeant vos yeux, vous éviterez les éclats créés pendant le travail. En portant un masque anti-poussière, vous éviterez des respirer les particules créées pendant le travail. Une exposition prolongée aux bruits trop puissants peut entraîner la perte de l'ouïe.
- ◆ **Pour le maintien de la sécurité, éloignez les personnes autour de la zone de travail. Toute personne entrant dans la zone de travail doit porter l'équipement de protection.** Des éclats de la pièce ou un accessoire cassé peuvent être projetés au-delà de la zone de travail et causer des blessures.
- ◆ **Tenez l'outil uniquement au niveau des surfaces de prise isolées.** Ceci permet d'éviter les accidents en cas de contact de l'accessoire de coupe avec des fils cachés ou son propre câble.. En touchant un fil sous tension, la charge électrique passe dans les parties métalliques de l'outil électroporatif et il y a risque de choc électrique.
- ◆ **Éloignez le cordon des accessoires en rotation.** Si vous perdez le contrôle, le cordon peut être coupé ou s'accrocher et votre main ou votre bras peut se trouver entraîné dans l'accessoire en rotation.
- ◆ **Ne posez pas l'outil avant l'arrêt complet de l'accessoire.** L'accessoire en rotation peut s'accrocher à la surface, ce qui vous ferez perdre le contrôle.
- ◆ **Ne mettez pas l'outil en marche en le portant.** L'accessoire en rotation peut attraper vos vêtements et vous toucher.
- ◆ **Nettoyez régulièrement les aérations de l'outil.** Le ventilateur de l'outil entraîne la poussière à l'intérieur de l'outil et une accumulation excessive de la poudre de métal peut causer des accidents liés à l'électricité.
- ◆ **Ne faites pas fonctionner l'outil dans un environnement proche de matières inflammables.** Les étincelles risquent d'enflammer ces matières.
- ◆ **N'utilisez pas d'accessoires nécessitant du liquide de refroidissement.** L'utilisation d'eau ou d'autre liquide de refroidissement peut entraîner un choc électrique ou une électrocution.

**Remarque :** Les avertissements ci-dessus ne s'appliquent pas aux outils conçus pour être utilisés avec un système liquide.

## Effet de retour et avertissements

L'effet de retour est une réaction soudaine d'un disque en rotation, d'un plateau porte-disques, de brosse ou de tout autre accessoire coincé ou accroché. Ce genre de problème arrête rapidement l'accessoire de rotation. L'outil devient alors incontrôlable et est entraîné en direction inverse de la rotation.

Par exemple, si un disque polisseur est accroché ou coincé par la pièce, le bord du disque qui se trouve au point de pincement peut creuser la surface du matériel se qui provoque une mauvaise rotation du disque. Le disque peut être éjecté vers l'utilisateur ou à l'opposé, selon la direction du mouvement du disque au point de pincement. Les disques polisseurs peuvent aussi se casser dans certaines conditions.

L'effet de retour est le résultat d'une utilisation inappropriée de l'outil voire de procédures ou de conditions d'utilisation incorrectes. Il peut être évité en appliquant les précautions adéquates, décrites ci-dessous.

- ◆ **En maintenant fermement l'outil, placez votre corps et votre bras de manière à pouvoir résister à la puissance d'un retour. Utilisez toujours la poignée auxiliaire pour contrôler au maximum le retour ou le couple au démarrage.** L'utilisateur peut contrôler les réactions de couple ou les forces de retour, si les précautions nécessaires sont prises.
- ◆ **Ne placez jamais votre main à côté de l'accessoire en rotation.** L'accessoire peut se retourner sur votre main.
- ◆ **Ne vous placez pas dans la zone de déplacement de l'outil si un effet de retour se produit.** L'effet de retour pousse l'outil dans la direction opposée au mouvement du disque au point d'accrochage.
- ◆ **Prenez les précautions nécessaires pour travailler dans les coins, les arêtes vives, etc.** Évitez de coincer ou de faire rebondir l'accessoire. Les coins, les arêtes vives ou les à-coups ont tendance à coincer l'accessoire en rotation et à causer la perte de contrôle ou un effet de retour.
- ◆ **Ne fixez pas une lame pour sculpture ou une lame de scie dentée.** Ce genre de lames créent un effet de retour et la perte du contrôle.

## Consignes de sécurité spécifiques pour meuler et découper par abrasion

- ◆ **N'utilisez que les types de disque recommandés pour votre outil et la protection spécifique au disque sélectionné.** Les disques destinés à d'autres outils, ne peuvent être protégés correctement et par conséquent sont dangereux.

- ◆ **La protection doit être correctement fixée à l'outil et exposer le minimum de disque possible vers l'utilisateur afin de le protéger au maximum.** La protection permet de protéger l'utilisateur des éclats et d'un contact accidentel avec le disque.
- ◆ **Les disques ne doivent être utilisés que pour les applications recommandées.** Par exemple : ne meulez pas avec le côté du disque de coupe. Les disques polis-seurs sont destinés au meulage périphérique. Des forces latérales auraient pour conséquence de les émousser.
- ◆ **N'utilisez que les flasques en bon état, de dimension et de forme appropriées à votre disque.** Les flasques de disque appropriés soutiennent le disque, ce qui limite le risque de casse. Les flasques des disques de coupe peuvent être différents de ceux de meulage.
- ◆ **N'utilisez pas les disques usés pris sur des plus grandes meuleuses.** Les disques destinés aux grandes meuleuses ne sont pas adaptés aux vitesses rapides des petites meuleuses et peuvent se décrocher.
- ◆ Prenez toutes les précautions nécessaires si une "coupe en poche" dans un mur existant ou dans des zones de visibilité nulle, doit être exécutée. Les parties du disque qui dépassent risquent de couper les conduits d'eau et de gaz, le câblage électrique ou les objets, ce qui a pour effet de provoquer un effet de retour.

### Consignes de sécurité spécifiques pour poncer

- ◆ **N'utilisez pas de disques papier de grande dimension.** Suivez les recommandations des fabricants pour sélectionner le papier abrasif. Des disques plus larges que le plateau de ponçage risquent de se déchirer et peuvent coincer le disque ou provoquer un effet de retour.

### Consignes de sécurité spécifiques pour polir

- ◆ **Ne laissez aucune partie mobile du dispositif de polissage ou ses fixations tourner librement. Rangez toutes les fixations desserrées.** Les fixations mobiles et desserrées peuvent s'enrouler autour de vos doigts ou se coincer sur la pièce.

### Consignes de sécurité spécifiques pour utiliser une brosse métallique

- ◆ **N'oubliez pas que les poils de la brosse peuvent être projetés peu importe le travail effectué.** N'appuyez pas trop sur la brosse, cela pourrait endommager les poils. Les poils peuvent facilement pénétrer dans les vêtements légers et/ou dans la peau.
- ◆ **S'il est recommandé d'utiliser une protection en utilisant la brosse métallique, prenez les précautions nécessaires pour que le disque ou la brosse n'entre pas en contact avec la protection.** Le diamètre du disque ou de la brosse peut changer selon la charge et les forces centrifuges.

### Sécurité des personnes

- ◆ Cet appareil ne doit pas être utilisé par des personnes (y compris les enfants) ayant des déficiences physiques, mentales ou sensorielles. Cette consigne s'applique aussi aux personnes manquant d'expérience et de connaissance du matériel, à moins que celles-ci n'aient reçu les instructions appropriées ou qu'elles ne soient encadrées par une personne responsable de leur sécurité pour utiliser l'appareil.
- ◆ Ne laissez jamais les enfants sans surveillance pour éviter qu'ils ne jouent avec cet outil.

### Risques résiduels.

L'utilisation d'un outil non mentionné dans les consignes de sécurité données peut entraîner des risques résiduels supplémentaires. Ces risques peuvent survenir si l'outil est mal utilisé, si l'utilisation est prolongée, etc.

### Consignes de sécurité supplémentaires pour découper par abrasion

- ◆ **N'exercez pas trop de pression sur le disque.** N'essayez pas de faire une coupe profonde. Pousser le disque augmente la charge et risque de coincer ou de tordre le disque dans la coupe. Ceci aurait pour conséquence d'endommager le disque ou de provoquer un effet de retour.
- ◆ **Ne restez pas dans la direction du disque de rotation, ni derrière.** Quand le disque, au point de fonctionnement, s'éloigne de vous, l'effet de retour peut projeter le disque en rotation et l'outil directement vers vous.
- ◆ **Quand le disque se coince ou quand la coupe est interrompue pour une raison quelconque, mettez l'outil hors tension.** Attendez l'arrêt complet avant de poser l'outil. **N'essayez jamais de retirer le disque de coupe de l'entaille tant que le disque tourne.** Un effet de retour pourrait se produire. Recherchez pourquoi le disque se coince et prenez les mesures appropriées pour éliminer le problème.
- ◆ **Ne recommencez pas la coupe dans l'entaille. Laissez le disque atteindre la vitesse maximale avant de le réinsérer dans l'entaille.** Le disque peut se coincer, il peut y avoir un effet de retour ou un sursaut quand l'outil redémarre dans l'entaille.
- ◆ **Soutenez les panneaux ou les pièces de grandes dimensions pour limiter les pincements et les effets de retour du disque.** Les grandes pièces ont tendance à fléchir à cause de leur propre poids. Il faut les maintenir en dessous, près de la ligne de coupe et près du bord du panneau, des deux côtés du disque.



Malgré l'application des normes de sécurité correspondantes et la présence de dispositifs de sécurité, les risques résiduels suivants ne peuvent être évités. Ceci comprend :

- ◆ Les blessures dues au contact avec une pièce mobile/ en rotation.
- ◆ Les blessures causées en changeant des pièces, lames ou accessoires.
- ◆ Les blessures dues à l'utilisation prolongée d'un outil. Une utilisation prolongée de l'outil nécessite des pauses régulières.
- ◆ **Déficience auditive.**
- ◆ **Risques pour la santé causés par l'inhalation de poussières produites pendant l'utilisation de l'outil (exemple : travail avec du bois, surtout le chêne, le hêtre et les panneaux en MDF).**

### Vibration

La valeur des émissions de vibration déclarée dans la section Déclaration/Données techniques de conformité a été mesurée selon une méthode d'essai standard fournie par la norme EN 60745 et peut être utilisée pour comparer un outil à un autre. Elle peut aussi être utilisée pour une évaluation préliminaire à l'exposition.

**Attention !** Selon la manière dont l'outil est utilisé, la valeur des émissions de vibration pendant l'utilisation de l'outil peut être différente de la valeur déclarée. Le niveau de vibration peut augmenter au-dessus du niveau établi.

Quand l'exposition aux vibrations est évaluée afin de déterminer les mesures de sécurité requises par la norme 2002/44/CE pour protéger les personnes utilisant régulièrement des outils électroportatifs, il faut tenir compte d'une estimation de l'exposition aux vibrations, des conditions actuelles d'utilisation et de la manière dont l'outil est utilisé. Il faut aussi tenir compte de toutes les pièces du cycle de fonctionnement comme la durée pendant laquelle l'outil est arrêté et quand il fonctionne au ralenti, ainsi que la durée du déclenchement.

### Étiquettes de l'outil

Les pictogrammes ci-dessous se trouvent sur l'appareil :



Attention ! L'utilisateur doit lire le manuel d'instructions afin de réduire le risque de blessures.



Portez toujours des lunettes de sécurité pour utiliser cet outil.



Portez toujours des protections auditives pour utiliser cet outil.

### Sécurité électrique



Cet outil est doublement isolé. Par conséquent, aucun câble de mise à la terre n'est nécessaire. Vérifiez si l'alimentation mentionnée sur la plaque signalétique de l'appareil correspond bien à la tension présente sur le lieu.

- ◆ Si le câble d'alimentation est endommagé, il doit être remplacé par le fabricant ou par un Centre de réparation Black & Decker agréé pour éviter tout danger.

### Éléments

Cet outil comprend certains, ou tous, les éléments suivants :

1. Bouton marche/arrêt
2. Poignée latérale
3. Verrou de l'axe
4. Protection

### Assemblage

**Attention !** Avant l'assemblage, assurez-vous que l'outil est éteint et débranché.

### Installation et retrait de la protection (figure A)

La protection fournie avec l'outil n'est à utiliser que pour les travaux de meulage. Pour les travaux de coupe, une protection spécifique doit être installée. Une protection adaptée à la coupe, réf. 1004484-06 pour KG701/KG901 et 1004484-07 pour KG902, est disponible dans les centres de réparation agréés Black & Decker.

### Mise en place

- ◆ Placez l'outil sur une table, avec l'axe (5) vers le haut.
- ◆ Relâchez le dispositif de fixation (7) et maintenez la protection (4) au-dessus de l'outil, comme indiqué.
- ◆ Alignez les repères (8) sur les encoches (9).
- ◆ Appuyez sur la protection et tournez-la dans le sens inverse des aiguilles d'une montre dans la position désirée.
- ◆ Serrez le dispositif de fixation (7) pour maintenir la protection sur l'outil.
- ◆ Le cas échéant, serrez la vis (6) pour sécuriser la fixation.

### Retrait

- ◆ Relâchez le dispositif de fixation (7).
- ◆ Tournez la protection dans le sens des aiguilles d'une montre pour aligner les repères (8) avec les encoches (9).
- ◆ Retirez la protection de l'outil.

**Attention !** N'utilisez jamais l'outil sans protection.

### Installation de la poignée latérale

- ◆ Vissez la poignée latérale (2) dans un des trous de fixation de l'outil.

Attention ! Utilisez toujours la poignée latérale.

### Installation et retrait du disque de coupe ou de meulage (figures B - D)

Utilisez toujours le disque approprié au travail à effectuer.

Utilisez toujours les disques avec un alésage et un diamètre correct (voir caractéristiques techniques).

#### Mise en place

- ◆ Installez la protection, comme décrit ci-dessus.
- ◆ Placez le flasque intérieur (10) sur l'axe (5) comme indiqué (figure B). Assurez-vous que le flasque est correctement placé sur les bords plats de l'axe.
- ◆ Placez le disque (11) sur l'axe (5) comme indiqué (figure B). Si le centre du disque est relevé (12), ce dernier doit être orienté vers le flasque intérieur.
- ◆ Assurez-vous que le disque est correctement placé sur le flasque intérieur.
- ◆ Placez le flasque extérieur (13) sur l'axe. Pour installer un disque de meulage, la partie bombée au centre sur le flasque extérieur doit être orientée vers le disque (A dans la figure C). Pour installer un disque de coupe, la partie bombée au centre sur le flasque extérieur doit être orientée vers l'extérieur (B dans la figure C).
- ◆ Maintenez le verrou de l'axe (3) enfoncé et serrez le flasque extérieur à l'aide d'une clé (14) (figure D).

#### Retrait

- ◆ Maintenez le verrou de l'axe (3) enfoncé et desserrez le flasque extérieur (13) à l'aide d'une clé (14) (figure D).
- ◆ Retirez le flasque extérieur (13) et le disque (11).

### Installation et retrait des disques de ponçage (figures D et E)

Pour le ponçage, un plateau porte-disques est requis. Cet accessoire est disponible auprès de votre revendeur Black & Decker.

#### Mise en place

- ◆ Placez le flasque intérieur (10) sur l'axe (5) comme indiqué (figure E). Assurez-vous que le flasque est correctement placé sur les bords plats de l'axe.
- ◆ Placez le plateau porte-disques (15) sur l'axe.
- ◆ Placez le disque de ponçage (16) sur le plateau porte-disques.
- ◆ Installez le flasque extérieur (13) sur l'axe, avec la partie bombée orientée vers l'extérieur.
- ◆ Maintenez le verrou de l'axe (3) enfoncé et serrez le flasque extérieur à l'aide d'une clé (14) (figure D). Assurez-vous que le flasque extérieur est correctement placé et que le disque est suffisamment serré.

#### Retrait

- ◆ Maintenez le verrou de l'axe (3) enfoncé et desserrez le flasque extérieur (13) à l'aide d'une clé (14) (figure D).
- ◆ Retirez le flasque extérieur (13), le disque de ponçage (16) et le plateau porte-disques (15).

### Utilisation

Attention ! Laissez l'outil fonctionner à sa propre vitesse. Ne le poussez pas au-delà de sa limite.

- ◆ Prenez les précautions nécessaires pour guider le câble et éviter de le sectionner.
- ◆ Des étincelles se produisent pendant le meulage ou la coupe.
- ◆ Placez toujours l'outil de manière à ce que la protection limite au maximum ces étincelles.

#### Mise en marche et arrêt

- ◆ Pour mettre l'appareil en marche, glissez le bouton marche/arrêt (1) vers l'avant. Notez que l'outil continue de fonctionner quand vous relâchez le bouton.
- ◆ Pour éteindre l'outil, appuyez sur la partie arrière de l'interrupteur marche/arrêt.

Attention ! Ne mettez pas l'outil hors tension quand il est sous charge.

#### Conseils pour une utilisation optimale

- ◆ Maintenez fermement l'outil avec une main autour de la poignée latérale et l'autre sur la poignée principale.
- ◆ Pour meuler, conservez toujours un angle d'environ 15° entre le disque et la surface de la pièce.

### Entretien

Votre appareil/outil sans fil/avec fil Black & Decker a été conçu pour fonctionner pendant longtemps avec un minimum d'entretien. Un fonctionnement continu satisfaisant dépend d'un nettoyage régulier et d'un entretien approprié de l'outil.

Attention ! À ne pas oublier avant l'entretien des appareils électriques sans fil/avec fil :

- ◆ Arrêtez l'appareil/outil, puis débranchez-le.
- ◆ Ou, arrêtez l'appareil et retirez la batterie de l'appareil/outil si celui-ci est muni d'un bloc-batterie séparé.
- ◆ Ou bien déchargez complètement la batterie si elle est intégrée au système, puis arrêtez l'appareil (position Off).
- ◆ Débranchez le chargeur avant de le nettoyer. Aucun entretien particulier n'est nécessaire pour le chargeur en dehors du nettoyage régulier.
- ◆ Nettoyez régulièrement les orifices de ventilation de votre appareil/outil/chargeur à l'aide d'une brosse souple ou d'un chiffon sec.
- ◆ Nettoyez régulièrement le compartiment du moteur à l'aide d'un chiffon humide. N'utilisez pas de produit abrasif ou à base de solvant.

- ◆ Ouvrez régulièrement le mandrin et retirez la poussière à l'intérieur en le tapant (si installé).

## Remplacement des prises secteur (RU et Irlande uniquement)

Si une nouvelle prise secteur doit être installée :

- ◆ Mettez au rebut la vieille prise.
- ◆ Branchez le fil brun dans la borne de la nouvelle prise.
- ◆ Branchez le fil bleu à la borne neutre.

**Attention !** Aucune connexion ne doit être faite à la borne de terre. Suivez les instructions de montage fournies avec les prises de bonne qualité. Fusibles recommandés : 13 A.

## Protection de l'environnement



Recyclage. Cet appareil ne doit pas être jeté avec les déchets ménagers.

Si votre appareil/outil Black & Decker doit être remplacé ou si vous ne l'utilisez plus, ne le jetez pas avec les ordures ménagères. Songez à la protection de l'environnement et recyclez-le.



La collecte séparée des produits et des emballages usagés permet de recycler et de réutiliser des matériaux. La réutilisation de matériaux recyclés évite la pollution de l'environnement et réduit la demande de matières premières.

Des réglementations locales peuvent stipuler la collecte séparée des produits électriques et des produits ménagers, dans des déchetteries municipales ou par le revendeur lorsque vous achetez un nouveau produit.

Black & Decker offre une solution permettant de recycler les produits Black & Decker lorsqu'ils ont atteint la fin de leur cycle de vie. Pour pouvoir profiter de ce service, veuillez retourner votre produit à un réparateur agréé qui se chargera de le collecter pour nous.

Pour connaître l'adresse du réparateur agréé le plus proche de chez vous, contactez le bureau Black & Decker à l'adresse indiquée dans ce manuel. Vous pourrez aussi trouver une liste de réparateurs agréés de Black & Decker et de plus amples détails sur notre service après-vente sur le site Internet à l'adresse suivante : [www.2helpU.com](http://www.2helpU.com)

## Caractéristiques techniques

		KG701 (Type 1)	KG901 (Type 1)	KG902 (Type 1)
Tension d'entrée	$V_{ac}$	230	230	230
Puissance	W	710	900	900
Aucune vitesse de charge	$\text{min}^{-1}$	10,500	11,000	11,000
Diamètre de disque	mm	115	115	125
Alésage disque	mm	22	22	22
Épaisseur max. disque				
Disques de meulage	mm	6	6	6
Disques de coupe	mm	3.5	3.5	3.5
Dimension de l'axe		M14	M14	M14
Poids	kg	2.1	2.1	2.1

$L_{pA}$ (pression sonore) 92.6 dB(A), incertitude (K) 3 dB(A)
$L_{WA}$ (puissance sonore) 103.5 dB(A), incertitude (K) 3 dB(A)
Valeurs totales des vibrations (somme vectorielle triaxiale) selon la norme EN 60745 :
Surface de meulage ( $a_{h,s}$ ) 9.9 $\text{m/s}^2$ , incertitude (K) 1.5 $\text{m/s}^2$
Coupe ( $a_{h,c}$ ) 6.2 $\text{m/s}^2$ , incertitude (K) 1.5 $\text{m/s}^2$
Polissage ( $a_{h,p}$ ) 4.6 $\text{m/s}^2$ , incertitude (K) 1.5 $\text{m/s}^2$
Disque de ponçage ( $a_{h,DS}$ ) 9.6 $\text{m/s}^2$ , incertitude (K) 1.5 $\text{m/s}^2$
Brosse ( $a_{h,b}$ ) 10.2 $\text{m/s}^2$ , incertitude (K) 1.5 $\text{m/s}^2$

**Déclaration de conformité CE**

CONSIGNES DE MACHINERIE



KG701 / KG901 / KG902

Black & Decker confirme que les produits décrits dans les "Données techniques" sont conformes aux normes :  
2006/42/CE, EN 60745-1, EN 60745-2-3

Ces produits sont conformes aux Directives  
2004/108/CE et 2011/65/UE.

Pour plus de détails, veuillez contacter Black & Decker à l'adresse suivante ou reportez-vous au dos du manuel. Le soussigné est responsable des données de la fiche technique et fait cette déclaration au nom de Black & Decker.

Kevin Hewitt  
Vice-Président - ingénierie internationale  
Black & Decker Europe, 210 Bath Road, Slough,  
Berkshire, SL1 3YD, Royaume-Uni  
30/03/2012

**Garantie**

Black & Decker assure la qualité de ses produits et vous offre une garantie très élargie. Ce certificat de garantie est un document supplémentaire et ne peut en aucun cas se substituer à vos droits légaux. La garantie est valable sur tout le territoire des États Membres de l'Union Européenne et de la Zone de Libre Échange Européenne.

Si un produit Black & Decker s'avère défectueux en raison de matériaux en mauvaises conditions, d'une erreur humaine, ou d'un manque de conformité dans les 24 mois suivant la date d'achat, Black & Decker garantit le remplacement des pièces défectueuses, la réparation des produits usés ou cassés ou remplace ces produits à la convenance du client, sauf dans les circonstances suivantes :

- ◆ Le produit a été utilisé dans un but commercial, professionnel, ou a été loué;
- ◆ Le produit a été mal utilisé ou utilisé avec négligence;
- ◆ Le produit a subi des dommages à cause d'objets étrangers, de substances ou à cause d'accidents;
- ◆ Des réparations ont été tentées par des techniciens ne faisant pas partie du service technique de Black & Decker.

Pour avoir recours à la garantie, il est nécessaire de fournir une preuve d'achat au vendeur ou à un réparateur agréé.

Pour connaître l'adresse du réparateur agréé le plus proche de chez vous, contactez le bureau Black & Decker à l'adresse indiquée dans ce manuel. Vous pourrez aussi trouver une liste de réparateurs agréés de Black & Decker et de plus amples détails sur notre service après-vente sur le site Internet à l'adresse suivante : [www.2helpU.com](http://www.2helpU.com)

Visitez notre site Web [www.blackanddecker.fr](http://www.blackanddecker.fr) pour enregistrer votre nouveau produit Black & Decker et être informé des nouveaux produits et des offres spéciales. Pour plus d'informations concernant la marque Black & Decker et notre gamme de produits, consultez notre site [www.blackanddecker.fr](http://www.blackanddecker.fr)

## Uso previsto

La smerigliatrice angolare Black & Decker è stata progettata per smerigliare e tagliare il metallo e le murature usando il corretto tipo di disco di taglio o di smerigliatura. Quando è dotato di protezione idonea, questo elettrodomestico è stato progettato solo per uso individuale.

## Istruzioni di sicurezza

### Avvisi di sicurezza generici per gli elettrodomestici



Attenzione! Leggere tutti gli avvisi di sicurezza e tutte le istruzioni. La mancata osservazione dei presenti avvisi e istruzioni potrebbe causare scosse elettriche, incendi e/o infortuni gravi.

Conservare tutte le istruzioni e le avvertenze per futura consultazione. Il termine "elettrodomestico" che ricorre in tutti gli avvisi seguenti si riferisce ad utensili elettrici con o senza filo.

1. Sicurezza nella zona di lavoro
    - a. Mantenere pulita e bene illuminata l'area di lavoro. Il disordine o la scarsa illuminazione possono causare incidenti.
    - b. Evitare d'impiegare gli elettrodomestici in ambienti esposti al rischio di esplosione, ad esempio in **presenza di liquidi, gas o polveri infiammabili**. Gli elettrodomestici producono scintille che possono far infiammare la polvere o i fumi.
    - c. Mantenere lontani bambini e osservatori mentre si usa l'elettrodomestico. Eventuali distrazioni possono comportare la perdita del controllo dell'elettrodomestico.
  2. Sicurezza elettrica
    - a. Le spine elettriche degli elettrodomestici devono essere **adatte alla presa. Evitare assolutamente di modificare la spina elettrica**. Non impiegare spine adattatrici con elettrodomestici provvisti di messa a terra. L'uso di spine inalterate e delle prese corrispondenti riduce il rischio di scosse elettriche.
    - b. **Evitare il contatto fisico con superfici collegate a terra**, come tubi, radiatori, forni e frigoriferi. Un corpo collegato a terra è esposto maggiormente al rischio di scosse elettriche.
    - c. Custodire gli elettrodomestici al riparo dalla pioggia o dall'umidità. L'eventuale infiltrazione di acqua in un elettrodomestico va ad aumentare il rischio di scosse elettriche.
  - d. Non utilizzare il cavo in modo improprio. Non usare il cavo per trasportare o trainare l'elettrodomestico e non tirarlo per estrarre la spina dalla presa di corrente. Mantenere il cavo al riparo da calore, olio, bordi taglienti e/o da parti in movimento. I cavi danneggiati o aggrovigliati aumentano il rischio di scosse elettriche.
  - e. Se l'elettrodomestico viene adoperato all'aperto, usare esclusivamente prolunghine omologate per l'impiego all'esterno. Un cavo adatto per uso esterno riduce il rischio di scosse elettriche.
  - f. Se non è possibile evitare di lavorare in una zona umida, usare un'alimentazione elettrica protetta da un dispositivo a corrente residua (RCD). L'uso di un dispositivo RCD riduce il rischio di scosse elettriche.
3. Sicurezza delle persone
    - a. È importante concentrarsi su ciò che si sta facendo e maneggiare con giudizio l'elettrodomestico. Non adoperare l'elettrodomestico se si è stanchi o sotto l'effetto di stupefacenti, alcol o medicinali. Un attimo di distrazione durante l'uso dell'elettrodomestico può causare gravi infortuni personali.
    - b. **Utilizzare un equipaggiamento di protezione personale**. Indossare sempre occhiali di sicurezza. Se si avrà cura d'indossare l'equipaggiamento protettivo necessario, ad esempio una maschera antipolvere, delle calzature antiscivolo, un casco o delle otoprotezioni, si ridurrà il rischio di infortuni.
    - c. Impedire l'avviamento involontario. Accertarsi che l'interruttore di accensione sia spento prima di collegare l'elettrodomestico all'alimentazione elettrica e/o al battery pack, di prenderlo in mano o di trasportarlo. Per non esporsi al rischio di incidenti, non trasportare gli elettrodomestici tenendo le dita sull'interruttore oppure, se sono collegati a un'alimentazione elettrica, con l'interruttore acceso.
    - d. Prima di accendere un elettrodomestico, togliere eventuali chiavi o attrezzi di regolazione. Un attrezzo o una chiave lasciati in un componente mobile dell'elettrodomestico possono causare infortuni.
    - e. Non piegarsi eccessivamente in avanti. **Mantenere sempre un buon equilibrio evitando posizioni instabili**. In questo modo è possibile controllare meglio l'elettrodomestico in situazioni inaspettate.
    - f. Vestirsi adeguatamente. Evitare di indossare indumenti larghi o gioielli. Tenere capelli, vestiti e guanti lontani da pezzi in movimento. Indumenti larghi, gioielli o capelli lunghi possono impigliarsi nelle parti in movimento.

- g. Se gli elettrodomestici sono provvisti di attacchi per il collegamento di dispositivi di aspirazione o di raccolta della polvere, assicurarsi che questi siano installati e utilizzati correttamente. L'impiego di dispositivi di raccolta della polvere diminuisce i rischi relativi alle polveri.
4. Uso e cura degli elettrodomestici
- a. Non sovraccaricare l'elettrodomestico. Usare l'elettrodomestico adatto al lavoro da eseguire. Utilizzando l'elettrodomestico adatto si potrà lavorare meglio e con maggiore sicurezza alla potenza nominale prevista.
- b. Non utilizzare elettrodomestici con interruttori difettosi. Un elettrodomestico che non può essere controllato mediante l'interruttore è pericoloso e deve essere riparato.
- c. Scollegare la spina dalla presa di corrente e/o il battery pack dall'elettrodomestico prima di regolarlo, di sostituire gli accessori o di riportarlo. Queste precauzioni di sicurezza riducono la possibilità che l'elettrodomestico sia messo in funzione inavvertitamente.
- d. Quando non sono usati, gli elettrodomestici devono essere custoditi fuori della portata dei bambini. Non consentire l'uso dell'elettrodomestico a persone inesperte o che non abbiano letto le presenti istruzioni. Gli elettrodomestici risultano pericolosi se usati da persone inesperte.
- e. Sottoporre gli elettrodomestici alle necessarie procedure di manutenzione. Verificare che le parti mobili siano bene allineate e non inceppate, che non vi siano componenti rotti e che non sussistano altre condizioni che possono compromettere il funzionamento dell'elettrodomestico. In caso di danni, riparare l'elettrodomestico prima dell'uso. La scarsa manutenzione causa molti incidenti.
- f. **Mantenere affilati e puliti gli utensili da taglio.** Se sottoposti alla giusta manutenzione, gli utensili da taglio con taglienti affilati s'inceppano meno frequentemente e sono più facili da manovrare.
- g. Utilizzare l'elettrodomestico, gli accessori e le punte in conformità alle presenti istruzioni, tenendo conto delle condizioni di lavoro e del lavoro da eseguire. L'impiego dell'elettrodomestico per usi diversi da quelli consentiti può dar luogo a situazioni pericolose.
5. Riparazioni
- a. Fare riparare l'elettrodomestico solo ed esclusivamente da personale specializzato e solo impiegando pezzi di ricambio originali, onde non alterarne la sicurezza.

## Altri avvisi di sicurezza per gli elettrodomestici



Avvertenza! Addizionali avvisi di sicurezza per le operazioni di smerigliatura, levigatura, spazzolatura con spazzola di acciaio, lucidatura o taglio con abrasivo

- ◆ Questo elettrodomestico è stato progettato per funzionare come smerigliatrice, levigatrice, spazzola in acciaio, lucidatrice o utensile da taglio. Consultare tutti gli avvisi di sicurezza, le istruzioni, le illustrazioni e i dati tecnici forniti con questo elettrodomestico. La mancata osservazione delle presenti istruzioni potrebbe causare scosse elettriche, incendi e/o infortuni gravi.
- ◆ **Se usato per operazioni per le quali non è stato progettato, l'elettrodomestico potrebbe diventare pericoloso e causare lesioni personali.**
- ◆ Non usare accessori che non sono stati progettati e consigliati in modo specifico dal fabbricante dell'elettrodomestico. Il fatto che un accessorio possa essere montato sul proprio elettrodomestico non ne garantisce un funzionamento sicuro.
- ◆ La velocità nominale dell'accessorio deve essere almeno pari a quella massima riportata sull'elettrodomestico. Gli accessori che funzionano a una velocità superiore a quella nominale, possono rompersi e volare via.
- ◆ Il diametro esterno e lo spessore dell'accessorio devono rientrare nel valore della capacità nominale dell'elettrodomestico. Gli accessori di misura sbagliata non possono essere protetti o controllati in modo adeguato.
- ◆ **La misura dell'albero di dischi, flange, tamponi di rinforzo o di qualsiasi altro accessorio deve essere quella giusta per il mandrino dell'elettrodomestico.** Gli accessori con fori dell'alberino che non combaciano con gli attacchi dell'elettrodomestico funzioneranno in modo sbilanciato, vibreranno eccessivamente e possono causare la perdita di controllo.
- ◆ Non usare accessori danneggiati. Prima di ogni impiego, verificare che i dischi abrasivi non siano scheggiati o incrinati, che i tamponi di rinforzo non siano incrinati, strappati o eccessivamente usurati, che le spazzole in acciaio non siano allentate o con i fili in acciaio incrinati. Se l'elettrodomestico o l'accessorio cadono, verificare che non abbiano subito danni oppure installare un accessorio non danneggiato. Dopo aver ispezionato e installato un accessorio, far funzionare l'elettrodomestico alla velocità massima a vuoto per un minuto. Gli accessori danneggiati si dovrebbero normalmente spezzare durante questo periodo di prova.

- ◆ **Usare l'equipaggiamento di protezione personale.** A seconda dell'applicazione, usare una maschera e occhiali di sicurezza. Se richiesto, indossare mascherine antipolvere, otoprotezioni, guanti e grembiuli **d'officina in grado di fermare piccoli pezzi o frammenti** abrasivi. Gli occhiali di protezione devono essere in grado di fermare le schegge volanti generate dalle varie operazioni. La mascherina antipolvere o il respiratore devono essere in grado di filtrare le particelle generate dall'operazione eseguita. L'esposizione prolungata a rumori molto intensi può causare la perdita dell'udito.
- ◆ **Mantenere gli osservatori a una distanza di sicurezza dall'area di lavoro.** Chi entra nell'area di lavoro deve **indossare un equipaggiamento di protezione personale.** Frammenti di un pezzo o di un accessorio frantumato potrebbero volare via e causare lesioni anche a una certa distanza dalla zona di lavoro immediata.
- ◆ **Tenere l'elettrotensile solo afferrando le impugnature isolate se si sta eseguendo un'operazione dove esiste la possibilità che la punta del trapano possa venire a contatto di cavi nascosti o del filo di alimentazione.** Il contatto tra la punta da trapano e un filo sotto tensione mette sotto tensione le parti metalliche esposte dell'elettrotensile e potrebbe esporre l'operatore a scosse elettriche.
- ◆ **Posizionare il filo di alimentazione lontano dall'accessorio rotante.** Se si perde il controllo, il filo di alimentazione potrebbe tagliarsi o impigliarsi e la mano e il braccio dell'operatore potrebbero essere attirati verso l'accessorio rotante.
- ◆ **Non appoggiare mai un elettrotensile prima che si sia totalmente fermato.** L'accessorio rotante potrebbe afferrare la superficie e tirare l'elettrotensile fuori dalla mano dell'operatore.
- ◆ **Non far funzionare l'elettrotensile mentre lo si trasporta tenendolo lungo il fianco.** Il contatto accidentale con l'accessorio rotante potrebbe farlo impigliare nell'abbigliamento, attirando l'elettrotensile contro il corpo.
- ◆ **Pulire regolarmente gli sfianti dell'aria dell'elettrotensile.** La ventola del motore attira la polvere all'interno dell'alloggiamento e un accumulo eccessivo di metallo polverizzato potrebbe causare rischi elettrici.
- ◆ **Non far funzionare l'elettrotensile nelle vicinanze di materiali infiammabili.** Le scintille potrebbero incendiare tali materiali.
- ◆ **Non usare accessori che richiedono l'uso di liquidi refrigeranti.** L'uso di acqua o di altri liquidi refrigeranti potrebbe causare l'elettrocuzione o scosse elettriche.

**Nota:** Il suddetto avviso non è inteso per gli elettrotensili progettati in modo specifico per essere usati con un impianto a base di liquido.

## Contraccolpi e avvisi in merito

Il contraccolpo è la reazione che si avverte immediatamente se un disco rotante, un tampone di rinforzo, una spazzola o qualsiasi altro accessorio si inceppano o si impigliano. L'inceppamento o l'impigliamento causano il bloccaggio rapido dell'accessorio rotante, che a sua volta spinge l'elettrotensile, non più controllato, in direzione opposta a quella di rotazione dell'accessorio nel punto in cui era rimasto inceppato.

Ad esempio, se un disco abrasivo si impiglia o rimane inceppato nel pezzo, il bordo del disco che sta penetrando nel punto di inceppamento potrebbe conficcarsi nella superficie del materiale causando la fuoriuscita o l'espulsione del disco stesso. Il disco potrebbe saltare verso l'operatore, o dalla parte opposta, a seconda della direzione del movimento del disco nel punto di inceppamento. Anche i dischi abrasivi potrebbero rompersi in queste condizioni.

Un contraccolpo è la conseguenza di un utilizzo non appropriato oppure non corretto dell'elettrotensile. Esso può essere evitato soltanto adottando le misure di sicurezza idonee come descritto di seguito.

- ◆ **Mantenere una presa salda sull'elettrotensile e posizionare il corpo e il braccio in un modo tale da poter resistere alle forze del contraccolpo.** Usare sempre l'impugnatura ausiliaria, se presente, per avere il massimo controllo in caso di contraccolpi o di reazione di coppia all'avviamento. L'operatore è in grado di resistere alla forza esercitata da eventuali reazioni di coppia o contraccolpi se adotta le misure del caso.
- ◆ **Non appoggiare mai la mano vicino all'accessorio rotante.** L'accessorio potrebbe dare un contraccolpo alla mano.
- ◆ **Non posizionare il corpo nella zona verso la quale l'elettrotensile potrebbe spostarsi in caso di contraccolpo.** Il contraccolpo potrebbe lanciare l'elettrotensile nella direzione opposta a quella di rotazione del disco nel momento in cui si incastra.
- ◆ **Prestare particolare quando si lavora negli angoli, su bordi aguzzi e così via, evitando di far saltellare e di incastrare l'accessorio.** Gli angoli, i bordi taglienti o il saltellamento tendono a far impigliare l'accessorio rotante e causano la perdita di controllo o dei contraccolpi.
- ◆ **Non montare una catena da sega, una lama da intaglio o una lama di sega dentata.** Tali lame causano contraccolpi frequenti e la perdita di controllo.

### Avvisi di sicurezza specifici per le operazioni di smerigliatura e di taglio con abrasivo

- ◆ Usare solo dischi di tipo consigliato per l'elettrotensile in oggetto e protezioni anch'esse progettate in modo specifico per il disco selezionato. Dischi diversi da quelli appositamente progettati per l'elettrotensile non possono essere protetti in modo idoneo e sono pericolosi.
- ◆ La protezione deve essere fissata in modo saldo all'elettrotensile e posizionata per garantire la massima sicurezza, in modo che una quantità minima di disco sia esposto verso l'operatore. La protezione aiuta a proteggere l'operatore dai frammenti, se il disco si dovesse spezzare, e dal contatto accidentale con lo stesso.
- ◆ I dischi devono essere usati solo per le applicazioni consigliate. Ad esempio: non smerigliare con il lato di un disco di taglio. I dischi di taglio abrasivi sono stati progettati per la smerigliatura periferica, eventuali forze laterali esercitate su questi dischi potrebbero causarne la frantumazione.
- ◆ Usare sempre flange di dischi non danneggiate che sono di misura e forma corrette per il disco selezionato. Delle flange corrette sorreggono il disco riducendo in tal modo la possibilità di rottura dello stesso. Le flange dei dischi di taglio possono essere diverse da quelle dei dischi di smerigliatura.
- ◆ Non usare dischi usurati che erano appartenuti a elettrotensili di maggiori dimensioni. I dischi progettati per elettrotensili di maggiori dimensioni non sono adatti alla velocità più alta degli elettrotensili più piccoli e potrebbero frantumarsi.

### Addizionali avvisi di sicurezza specifici per le operazioni di taglio con abrasivo

- ◆ Non inceppare il disco di taglio e non esercitare una pressione eccessiva. Non cercare di effettuare un taglio troppo profondo. Una sollecitazione eccessiva del disco aumenta il carico e la suscettibilità del disco stesso a piegarsi o a incepparsi nel taglio con la possibilità di contraccolpi o di rottura del disco.
- ◆ Non posizionare il corpo in linea con il disco rotante e neppure dietro di esso. Un eventuale contraccolpo mentre il disco, durante il funzionamento, si sta allontanando dal corpo dell'operatore, potrebbe lanciare il disco rotante e l'elettrotensile direttamente verso l'operatore.

- ◆ Se il disco si inceppa, oppure quando, per una qualsiasi ragione, si interrompe l'operazione di taglio, spegnere l'elettrotensile e tenerlo fermo nel pezzo fino a quando il disco di arresta del tutto. Non tentare mai di rimuovere il disco di taglio dal taglio quando sta ancora ruotando, dato che facendolo si potrebbe causare un contraccolpo. Indagare la causa dell'inceppamento del disco e adottare il necessario intervento correttivo per eliminarla.
- ◆ Non riprendere l'operazione di taglio nel pezzo. Lasciare che il disco raggiunga la massima velocità e rientrare con attenzione nel taglio. Il disco potrebbe incepparsi, spostarsi o dare un contraccolpo se l'elettrotensile viene fatto ripartire nel pezzo.
- ◆ Sorreggere i pannelli o i pezzi di grandi dimensioni per contenere al massimo il rischio che il disco si inceppi e causi un contraccolpo. I pezzi più grandi tendono a incurvarsi sotto il loro peso. Infilare dei supporti sotto il pezzo vicino alla linea di taglio e al bordo del pezzo da ambo i lati del disco.
- ◆ Prestare una maggiore attenzione quando si pratica un "taglio di cavità" in pareti esistenti o in altre zone con scarsa visibilità. Il disco sporgente potrebbe tagliare i tubi del gas o dell'acqua, i fili elettrici o altri oggetti che possono causare un contraccolpo.

### Avvisi di sicurezza specifici per le operazioni di levigatura

- ◆ Non usare dischi di levigatura di dimensioni maggiori. Seguire i consigli del fabbricante quando si sceglie la carta vetrata. Dei dischi di carta vetrata che sporgono dal tampone di levigatura presentano il rischio di lacerazioni e potrebbero causare l'impigliamento o lo strappo del disco o un contraccolpo.

### Avvisi di sicurezza specifici per le operazioni di lucidatura

- ◆ Non lasciare che parti allentate della cuffia di lucidatura oppure le cordicelle di fissaggio girino liberamente. Riporre o tagliare via le cordicelle di fissaggio troppo lunghe. Delle cordicelle di fissaggio troppo lunghe e che girano liberamente potrebbero attorcigliarsi sulle dita dell'operatore o impigliarsi sul pezzo.

### Avvisi di sicurezza specifici per le operazioni con la spazzola in acciaio

- ◆ Essere consapevoli del fatto che la spazzola potrebbe far volare via i fili in acciaio perfino durante il funzionamento normale. Non sollecitare eccessivamente i fili in acciaio esercitando un carico eccessivo sulla spazzola. I fili in acciaio potrebbero penetrare facilmente nell'abbigliamento leggero e/o nell'epidermide.



- ◆ Se è consigliato l'uso di una protezione per la spazzolatura con spazzola in acciaio, non lasciare che la spazzola o il disco in acciaio vengano a contatto della protezione. Il diametro del disco o della spazzola in acciaio potrebbe aumentare a causa del carico di lavoro e delle forze centrifughe.

### Sicurezza altrui

- ◆ Questo elettroutensile non è stato progettato per impiego da parte di persone (o bambini) portatrici di handicap fisici, psichici o sensoriali o che non abbiano la dovuta esperienza o conoscenza, a meno che non siano seguite o opportunamente istruite sul suo impiego da parte di una persona responsabile della loro sicurezza.
- ◆ Controllare che i bambini non giochino con l'elettroutensile.

### Rischi residui.

Quando si usa l'elettroutensile, possono esservi altri rischi residui che possono non essere stati contemplati negli avvisi di sicurezza allegati. Tali rischi possono sorgere a seguito di un uso prolungato o improprio, ecc.

Perfino adottando gli appositi regolamenti di sicurezza e utilizzando i dispositivi di sicurezza, certi rischi residui non possono essere evitati. Essi comprendono:

- ◆ Lesioni causate o subite a seguito del contatto con parti rotanti/in movimento.
- ◆ Lesioni causate o subite durante la sostituzione di parti, lame o accessori.
- ◆ Lesioni causate dall'impiego prolungato di un elettroutensile. **Quando si usa qualsiasi elettroutensile per lunghi periodi, accertarsi di fare regolarmente delle pause.**
- ◆ Problemi di udito.
- ◆ Rischi per la salute causati dall'aspirazione di polvere generata dall'utilizzo dell'elettroutensile (ad esempio quando si lavora con il legno, in modo particolare quello di quercia, faggio o l'MDF.)

### Vibrazioni

I valori dichiarati delle emissioni di vibrazioni al paragrafo Dati tecnici e nella Dichiarazione di conformità del presente manuale sono stati misurati in base al metodo di test standard previsto dalla normativa EN 60745 e possono essere usati come parametri di confronto tra due utensili. Il valore delle emissioni di vibrazioni dichiarato può anche essere usato come valutazione preliminare dell'esposizione.

**Attenzione!** Il valore delle emissioni di vibrazioni durante l'impiego effettivo dell'elettroutensile può variare da quello dichiarato a seconda delle modalità d'uso. Il livello delle vibrazioni può aumentare oltre quello dichiarato.

Quando si valuta l'esposizione alle vibrazioni per determinare le misure di sicurezza richieste, in conformità alla normativa 2002/44/CE e destinata alla protezione delle persone che usano regolarmente gli elettroutensili nello svolgimento delle proprie mansioni, è necessario prendere in considerazione le condizioni effettive di utilizzo e il modo in cui l'utensile è usato, oltre a tenere in conto tutte le componenti del ciclo operativo, vale a dire i periodi in cui l'elettroutensile è spento, quelli in cui è acceso, ma a riposo e quelli in cui è effettivamente utilizzato.

### Etichette sull'elettroutensile

Sull'elettroutensile appaiono i seguenti pittogrammi:



**Avvertenza!** Per ridurre il rischio di infortuni, l'utente deve leggere il manuale d'uso.



Indossare occhiali di sicurezza quando si usa l'elettroutensile.



Indossare otoprotezioni quando si usa questo elettroutensile.

### Sicurezza elettrica



Il doppio isolamento di cui è provvisto l'elettroutensile rende superfluo il filo di terra. Controllare sempre che l'alimentazione corrisponda alla tensione indicata sulla targhetta delle caratteristiche.

- ◆ In caso di danneggiamento del filo di alimentazione, è necessario farlo riparare dal fabbricante o presso un centro assistenza Black & Decker autorizzato in modo da evitare eventuali pericoli.

### Caratteristiche

Questo elettroutensile presenta alcune o tutte le seguenti caratteristiche.

1. Interruttore di accensione
2. Impugnatura laterale
3. Blocco alberino
4. Protezione

### Montaggio

**Avvertenza!** Prima di montarlo, assicurarsi che l'elettroutensile sia spento e scollegato dalla presa di corrente.

## Montaggio e smontaggio della protezione (fig. A)

L'elettrotensile è dotato di protezione adatta solo alle operazioni di smerigliatura. Se deve invece essere usato per il taglio, è necessario montare una protezione specifica, idonea a tale operazione. Una protezione idonea alle operazioni di taglio, numero di parte 1004484-06 per il modello KG701/ KG901 e 1004484-07 per il KG902, è reperibile presso i centri di assistenza Black & Decker.

### Montaggio

- ◆ Appoggiare l'elettrotensile su di un tavolo, con l'alberino (5) rivolto verso l'alto.
- ◆ Rilasciare il gancio di serraggio (7) e tenere la protezione (4) sopra l'elettrotensile come illustrato.
- ◆ Allineare le linguette (8) alle tacche (9).
- ◆ Premere la protezione verso il basso e ruotarla in senso antiorario fino alla posizione richiesta.
- ◆ Serrare il gancio di serraggio (7) per fissare la protezione sull'elettrotensile.
- ◆ Se necessario, serrare la vite (6) per aumentare la forza di serraggio.

### Distacco

- ◆ Rilasciare il gancio di serraggio (7).
- ◆ Ruotare la protezione in senso orario per allineare le linguette (8) alle tacche (9).
- ◆ Rimuovere la protezione dall'elettrotensile.

**Avvertenza!** Non usare mai l'elettrotensile senza la protezione.

## Montaggio dell'impugnatura laterale

- ◆ Avvitare l'impugnatura laterale (2) in uno dei fori di fissaggio nell'elettrotensile.

**Avvertenza!** Usare sempre l'impugnatura laterale.

## Montaggio e rimozione dei dischi di smerigliatura o di taglio (fig. B - D)

Usare sempre il corretto tipo di disco per l'applicazione in oggetto. Usare sempre dischi con diametro e alesaggio di misura corretta (vedere i dati tecnici).

### Montaggio

- ◆ Montare la protezione come descritto qui sopra.
- ◆ Appoggiare la flangia interna (10) sull'alberino (5) come illustrato (fig. B). Verificare che la flangia sia correttamente situata sui lati piatti dell'alberino.
- ◆ Appoggiare il disco (11) sull'alberino (5) come illustrato (fig. B). Se il disco ha un centro rialzato (12), accertarsi che sia rivolto verso la flangia interna.
- ◆ Verificare che il disco si centri correttamente sulla flangia interna.

- ◆ Appoggiare la flangia esterna (13) sull'alberino. Quando si monta un disco di smerigliatura, il centro sollevato sulla flangia esterna deve essere rivolto verso il disco (A in fig. C). Quando si monta un disco di taglio, il centro sollevato sulla flangia esterna deve essere rivolto dalla parte opposta al disco (B in fig. C).
- ◆ Tenere premuto il blocco dell'alberino (3) e serrare la flangia esterna usando la chiave a due perni (14) (fig. D).

### Distacco

- ◆ Tenere premuto il blocco dell'alberino (3) e allentare la flangia esterna (13) usando la chiave a due perni (14) (fig. D).
- ◆ Rimuovere la flangia esterna (13) e il disco (11).

## Montaggio e rimozione dei dischi di levigatura (figg. D ed E)

Per la levigatura, è necessario usare un tampone di rinforzo. Tale tampone di rinforzo è reperibile quale accessorio presso il rivenditore Black & Decker di zona.

### Montaggio

- ◆ Appoggiare la flangia interna (10) sull'alberino (5) come illustrato (fig. E). Verificare che la flangia sia correttamente situata sui lati piatti dell'alberino.
- ◆ Infilare il tampone di rinforzo (15) sull'alberino.
- ◆ Posizionare il disco di levigatura (16) sul tampone di rinforzo.
- ◆ Appoggiare la flangia esterna (13) sull'alberino con il centro sollevato rivolto dalla parte opposta al disco.
- ◆ Tenere premuto il blocco dell'alberino (3) e serrare la flangia esterna usando la chiave a due perni (14) (fig. D). Verificare che la flangia esterna sia montata correttamente e che il disco sia serrato saldamente.

### Distacco

- ◆ Tenere premuto il blocco dell'alberino (3) e allentare la flangia esterna (13) usando la chiave a due perni (14) (fig. D).
- ◆ Smontare la flangia esterna (13), il disco di levigatura (16) e il tampone di rinforzo (15).

## Utilizzo

**Avvertenza!** Lasciare che l'elettrotensile funzioni al suo ritmo. Non sovraccaricarlo.

- ◆ Stendere con attenzione il cavo per evitare di tagliarlo accidentalmente.
- ◆ Aspettarsi tutta una serie di scintille quando il disco di smerigliatura o di taglio tocca il pezzo.
- ◆ Posizionare sempre l'elettrotensile in modo tale che la protezione protegga in modo ottimale dal disco di smerigliatura o di taglio.

## Accensione e spegnimento

- ◆ Per accenderlo, far scorrere in avanti l'interruttore di accensione(1). Tenere presente che l'elettrotensile continuerà a funzionare quando si rilascia l'interruttore.
- ◆ Per spegnere l'elettrotensile, premere la parte posteriore dell'interruttore di accensione.

**Avvertenza!** Non spegnere l'elettrotensile quando è sotto carico.

## Consigli per un utilizzo ottimale

- ◆ Tenere saldamente l'elettrotensile con una mano sull'impugnatura laterale e l'altra su quella principale.
- ◆ Durante la smerigliatura, mantenere sempre un angolo di 15° circa tra il disco e la superficie del pezzo.

## Manutenzione

Questo apparecchio/elettrotensile Black & Decker con o senza filo è stato progettato per funzionare a lungo con una manutenzione minima. Per ottenere prestazioni sempre soddisfacenti occorre avere cura dell'elettrotensile e sottoporlo a pulizia periodica.

**Avvertenza!** Prima di eseguire interventi di manutenzione su elettrotensili con o senza filo procedere come descritto di seguito.

- ◆ Spegnerlo e scollegare l'apparecchio/elettrotensile dalla presa di corrente.
- ◆ Oppure spegnere ed estrarre la batteria se l'apparecchio/elettrotensile è dotato di battery pack a parte.
- ◆ Oppure scaricare completamente la batteria se è di tipo integrale e quindi spegnerlo.
- ◆ Scollegare l'alimentatore prima di pulirlo. L'alimentatore non richiede nessuna manutenzione salvo una regolare pulizia.
- ◆ Pulire regolarmente le prese di ventilazione dell'apparecchio/elettrotensile/alimentatore con un pennello o con un panno morbido e asciutto.
- ◆ Il vano del motore deve essere pulito regolarmente con un panno umido. Non usare materiali abrasivi o detersivi a base di solventi.
- ◆ Aprire regolarmente il mandrino e batterlo leggermente per eliminare la polvere dall'interno (se in dotazione).

## Sostituzione della spina (solo Regno Unito e Irlanda)

Se è necessario montare una nuova spina,

- ◆ smaltire in tutta sicurezza quella vecchia.
- ◆ Collegare il filo marrone al morsetto sotto tensione della nuova spina.
- ◆ Collegare il filo blu al morsetto neutro.

**Attenzione!** Non effettuare nessun collegamento sul morsetto di terra. Seguire le istruzioni fornite con le spine di buona qualità. Fusibile raccomandato: 13 A.

## Protezione dell'ambiente



Raccolta differenziata. Questo prodotto non deve essere smaltito con i normali rifiuti domestici.

Nel caso in cui l'elettrotensile Black & Decker debba essere sostituito o non sia più necessario, non smaltirlo con i normali rifiuti domestici. Metterlo da parte per la raccolta differenziata.



La raccolta differenziata dei prodotti e degli imballaggi utilizzati consente il riciclaggio dei materiali e il loro continuo utilizzo. Il riutilizzo dei materiali riciclati favorisce la protezione dell'ambiente prevenendo l'inquinamento e riduce il fabbisogno di materie prime.

Seguire la regolamentazione locale per la raccolta differenziata dei prodotti elettrici che può prevedere punti di raccolta o la consegna dell'elettrotensile al rivenditore presso il quale viene acquistato un nuovo prodotto.

Black & Decker offre ai propri clienti la possibilità di riciclare i prodotti Black & Decker che hanno esaurito la loro vita di servizio. Per usufruire di tale servizio, è sufficiente restituire il prodotto a qualsiasi tecnico autorizzato, incaricato della raccolta per conto dell'azienda.

Per individuare il tecnico autorizzato più vicino, rivolgersi alla sede Black & Decker locale, presso il recapito indicato nel presente manuale. Altrimenti, un elenco completo di tutti i tecnici autorizzati Black & Decker e i dettagli completi sui contatti e i servizi post-vendita sono disponibili su Internet all'indirizzo: [www.2helpU.com](http://www.2helpU.com)

## Dati tecnici

		KG701 (Type 1)	KG901 (Type 1)	KG902 (Type 1)
Tensione in ingresso	V <sub>ac</sub>	230	230	230
Potenza assorbita	W	710	900	900
Regime a vuoto	min <sup>-1</sup>	10,500	11,000	11,000
Diametro disco	mm	115	115	125
Alésaggio disco	mm	22	22	22
Spessore max. disco				
Dischi di smerigliatura	mm	6	6	6
Dischi di taglio	mm	3.5	3.5	3.5
Misura alberino		M14	M14	M14
Peso	kg	2.1	2.1	2.1

L <sub>pA</sub> (pressione sonora) 92.6 dB(A), incertezza (K) 3 dB(A)
L <sub>WA</sub> (pressione acustica) 103.5 dB(A), incertezza (K) 3 dB(A)
Valori totali vibrazioni (somma vettoriale triassiale) in base a EN 60745:
Smerigliatura superficiale (a <sub>h,SG</sub> ) 9.9 m/s <sup>2</sup> , incertezza (K) 1.5 m/s <sup>2</sup>
Taglio (a <sub>h,T</sub> ) 6.2 m/s <sup>2</sup> , incertezza (K) 1.5 m/s <sup>2</sup>
Lucidatura (a <sub>h,P</sub> ) 4.6 m/s <sup>2</sup> , incertezza (K) 1.5 m/s <sup>2</sup>
Levigatura a disco (a <sub>h,DS</sub> ) 9.6 m/s <sup>2</sup> , incertezza (K) 1.5 m/s <sup>2</sup>
Spazzolatura con spazzola in acciaio (a <sub>h</sub> ) 10.2 m/s <sup>2</sup> , incertezza (K) 1.5 m/s <sup>2</sup>

## Dichiarazione di conformità CE

DIRETTIVA SUI MACCHINARI



KG701 / KG901 / KG902

Black & Decker dichiara che questi prodotti descritti al paragrafo "Dati tecnici" sono conformi a:  
2006/42/CE, EN 60745-1, EN 60745-2-3

Questi prodotti sono conformi alla Direttiva  
2004/108/CE e 2011/65/U.

Per ulteriori informazioni, rivolgersi a Black & Decker al seguente indirizzo oppure consultare l'ultima di copertina del manuale.

Il sottoscritto è responsabile della redazione di questo documento tecnico e rilascia questa dichiarazione per conto di Black&Decker.

Kevin Hewitt

Vice-President Global Engineering  
Black & Decker Europe, 210 Bath Road, Slough,  
Berkshire, SL1 3YD, Regno Unito  
30/03/2012

## Garanzia

Certa della qualità dei suoi prodotti, Black & Decker offre una garanzia eccezionale. Il presente certificato di garanzia è complementare ai diritti legali e non li pregiudica in alcun modo. La garanzia è valida entro il territorio degli Stati membri dell'Unione Europea e dell'EFTA (European Free Trade Area).

Se un prodotto Black & Decker risulta difettoso per qualità del materiale, della costruzione o per mancata conformità entro 24 mesi dalla data di acquisto, Black & Decker garantisce la sostituzione delle parti difettose, provvede alla riparazione dei prodotti se ragionevolmente usurati oppure alla loro sostituzione, in modo da ridurre al minimo il disagio del cliente a meno che:

- ◆ il prodotto non sia stato destinato a usi commerciali, professionali o al noleggio;
- ◆ il prodotto non sia stato usato in modo improprio o scorretto;
- ◆ il prodotto non abbia subito danni causati da oggetti o sostanze estranee oppure incidenti;
- ◆ il prodotto non abbia subito tentativi di riparazione non effettuati da tecnici autorizzati né dall'assistenza Black & Decker.

Per attivare la garanzia è necessario esibire la prova di acquisto al venditore o al tecnico autorizzato. Per individuare il tecnico autorizzato più vicino, rivolgersi alla sede Black & Decker locale, presso il recapito indicato nel presente manuale. Altrimenti, un elenco completo di tutti i tecnici autorizzati Black & Decker e i dettagli completi sui contatti e i servizi post-vendita sono disponibili su Internet all'indirizzo: [www.2helpU.com](http://www.2helpU.com)

I clienti che desiderano registrare il nuovo prodotto Black & Decker e ricevere gli aggiornamenti sui nuovi prodotti e le offerte speciali, sono invitati a visitare il sito Web ([www.blackanddecker.it](http://www.blackanddecker.it)). Ulteriori informazioni sul marchio e la gamma di prodotti Black & Decker sono disponibili all'indirizzo [www.blackanddecker.it](http://www.blackanddecker.it).

## Beoogd gebruik

Uw Black & Decker haakse slijper is ontworpen voor het slijpen en zagen van metaal en steen met het juiste type schijf voor zagen of slijpen. Dit gereedschap is alleen bestemd voor consumentengebruik en moet worden voorzien van de juiste beschermkap.

## Veiligheidsinstructies

### Algemene veiligheidswaarschuwingen voor elektrisch gereedschap



**Waarschuwing!** Lees alle veiligheidswaarschuwingen en alle instructies. Wanneer de volgende waarschuwingen en voorschriften niet in acht worden genomen, kan dit een elektrische schok, brand of ernstig letsel tot gevolg hebben.

Bewaar alle waarschuwingen en instructies als referentiemateriaal. Het hierna gebruikte begrip 'elektrisch gereedschap' heeft betrekking op elektrische gereedschappen voor gebruik op de netspanning (met netsnoer) of op een accu (snoerloos).

#### 1. Veilige werkomgeving

- Zorg dat uw werkomgeving schoon is en goed verlicht. Een rommelige of slecht verlichte werkomgeving kan tot ongevallen leiden.
- Gebruik elektrisch gereedschap niet in een omgeving met explosiegevaar, zoals in de nabijheid van brandbare vloeistoffen, gassen of stof. Elektrisch gereedschap veroorzaakt vonken die het stof of de dampen tot ontsteking kunnen brengen.
- Houd kinderen en andere personen tijdens het gebruik van elektrisch gereedschap uit de buurt. Wanneer u wordt afgeleid, kunt u de controle over het gereedschap verliezen.

#### 2. Elektrische veiligheid

- De netstekker van het gereedschap moet in het stopcontact passen. De stekker mag in geen geval worden omgebouwd. Gebruik geen adapterstekkers in combinatie met gearde gereedschappen. Niet-omgebouwde stekkers en passende stopcontacten beperken het risico van een elektrische schok.
- Vermijd aanraking van het lichaam met gearde oppervlakken, bijvoorbeeld buizen, verwarmingen, fornuizen en koelkasten. Er bestaat een verhoogd risico op een elektrische schok wanneer uw lichaam geard is.
- Houd het gereedschap uit de buurt van regen en vocht. Het binnendringen van water in het elektrische gereedschap vergroot het risico van een elektrische schok.

- Gebruik het snoer niet voor een verkeerd doel. Gebruik het snoer niet om het gereedschap te dragen of op te hangen of om de stekker uit het stopcontact te trekken. Houd het snoer uit de buurt van hitte, olie, scherpe randen of bewegende delen. Beschadigde of in de war geraakte snoeren vergroten het risico van een elektrische schok.
  - Wanneer u buitenshuis met elektrisch gereedschap werkt, dient u alleen verlengsnoeren te gebruiken die zijn goedgekeurd voor gebruik buitenshuis. Het gebruik van een verlengsnoer dat geschikt is voor gebruik buitenshuis, beperkt het risico van een elektrische schok.
  - Als u een elektrisch gereedschap moet gebruiken in een vochtige locatie, moet u een reststroomschakelaar (RCD) gebruiken. Met een aardlekschakelaar wordt het risico van een elektrische schok verkleind.
- #### 3. Veiligheid van personen
- Wees alert, let goed op wat u doet en ga met verstand te werk bij het gebruik van elektrische gereedschappen. Gebruik elektrisch gereedschap niet wanneer u moe bent of onder invloed van drugs, alcohol of medicijnen. Een moment van onoplettendheid bij het gebruik van het gereedschap kan leiden tot ernstige verwondingen.
  - Draag een persoonlijke beschermende uitrusting. Draag altijd een veiligheidsbril. Het dragen van een persoonlijke beschermende uitrusting zoals een stofmasker, slipvaste werkschoenen, een veiligheidshelm of gehoorbescherming, afhankelijk van de aard en het gebruik van het elektrische gereedschap, vermindert het risico van verwondingen.
  - Voorkom per ongeluk inschakelen. Controleer of de schakelaar in de uit-stand staat voordat u het gereedschap aansluit op het stopcontact en/of de accu en voordat u het gereedschap optilt of gaat dragen. Wanneer u bij het dragen van het gereedschap uw vinger op de schakelaar houdt of wanneer u het gereedschap per ongeluk inschakelt, kan dat leiden tot ongevallen.
  - Verwijder instelgereedschappen of schroef sleutels voordat u het gereedschap inschakelt. Een instelgereedschap of sleutel in een draaiend deel van het gereedschap kan tot verwondingen leiden.
  - Reik niet te ver. Zorg er altijd voor dat u stevig staat en in evenwicht blijft. Daardoor kunt u het gereedschap in onverwachte situaties beter onder controle houden.
  - Draag geschikte kleding. Draag geen loshangende kleding of sieraden. Houd haren, kleding en handschoenen uit de buurt van bewegende delen. Loshangende kleding, sieraden en lange haren kunnen door bewegende delen worden meegenomen.

g. Wanneer stofafzuigings- of stofopvangvoorzieningen kunnen worden gemonteerd, dient u zich ervan te verzekeren dat deze zijn aangesloten en juist worden gebruikt. Het gebruik van stofopvangvoorzieningen beperkt het gevaar door stof.

4. Gebruik en onderhoud van elektrisch gereedschap

- a. Overbelast het gereedschap niet. Gebruik het geschikte elektrische gereedschap voor uw toepassing. Met het geschikte elektrische gereedschap werkt u beter en veiliger binnen het aangegeven capaciteitsbereik.
- b. Gebruik geen elektrisch gereedschap waarvan de schakelaar defect is. Elektrisch gereedschap dat niet meer kan worden in- of uitgeschakeld, is gevaarlijk en moet worden gerepareerd.
- c. Trek de stekker uit het stopcontact en/of verwijder de accu uit het elektrisch gereedschap voordat u het gereedschap instelt, toebehoren wisselt of het gereedschap overbergt. Met deze voorzorgsmaatregel voorkomt u onbedoeld starten van het gereedschap.
- d. Bewaar niet-gebruikte elektrische gereedschappen buiten bereik van kinderen. Laat het gereedschap niet gebruiken door personen die er niet vertrouwd mee zijn en deze aanwijzingen niet hebben gelezen. Elektrische gereedschappen zijn gevaarlijk wanneer deze door onervaren personen worden gebruikt.
- e. Verzorg het gereedschap zorgvuldig. Controleer of bewegende delen van het gereedschap correct functioneren en niet klemmen, en of er onderdelen zodanig zijn gebroken of beschadigd dat de werking van het gereedschap nadelig wordt beïnvloed. Laat beschadigde delen repareren voordat u het gereedschap gebruikt. Veel ongevallen worden veroorzaakt door slecht onderhouden elektrische gereedschappen.
- f. Houd snijdende inzetgereedschappen scherp en schoon. Zorgvuldig onderhouden snijdende inzetgereedschappen met scherpe snijkanten klemmen minder snel en zijn gemakkelijker te geleiden.
- g. Gebruik elektrische gereedschappen, toebehoren, inzetgereedschappen en dergelijke volgens deze aanwijzingen. Let daarbij op de arbeidsomstandigheden en de uit te voeren werkzaamheden. Het gebruik van elektrische gereedschappen voor andere dan de bedoelde toepassingen kan leiden tot gevaarlijke situaties.

5. Service

- a. Laat het gereedschap alleen repareren door **gekwalificeerd en vakkundig personeel en alleen met originele reserveonderdelen**. Daarmee wordt de veiligheid van het gereedschap gewaarborgd.

## Aanvullende veiligheidswaarschuwingen voor elektrisch gereedschap



**Waarschuwing!** Aanvullende veiligheidswaarschuwingen voor slijpen, schuren, borstelen, polijsten of zagen

- ◆ Dit elektrische gereedschap is bedoeld om te worden gebruikt als een slijpmachine, schuurmachine, staalborstel, polijstmachine of zaag. Neem alle veiligheidswaarschuwingen, instructies, illustraties en specificaties door die bij dit gereedschap worden geleverd. Wanneer de volgende voorschriften niet in acht worden genomen, kan dit elektrische schokken, brand en/of ernstig letsel tot gevolg hebben.
- ◆ Bewerkingen waarvoor het gereedschap niet is bedoeld, kunnen gevaarlijk zijn en persoonlijk letsel tot gevolg hebben.
- ◆ **Gebruik geen hulpstukken die niet specifiek voor dit gereedschap zijn ontworpen en worden aanbevolen door de fabrikant.** Een veilige werking is niet gegarandeerd omdat het hulpstuk kan worden bevestigd aan het gereedschap.
- ◆ De opgegeven snelheid van het hulpstuk moet ten minste gelijk zijn aan de maximumsnelheid die op het gereedschap is aangegeven. Hulpstukken die sneller werken dan de gespecificeerde snelheid kunnen breken en kapot slaan.
- ◆ De buitendiameter en de dikte van het hulpstuk moeten overeenkomen met de opgegeven capaciteit van het gereedschap. Hulpstukken met onjuiste afmetingen kunnen niet correct worden beveiligd of bediend.
- ◆ **De asdikte van schijven, flietzen, steunpads of andere hulpstukken moet overeenkomen met de spil van het gereedschap.** Hulpstukken met asgaten die niet passen op de bevestigingsmaterialen van het gereedschap, raken in onbalans en gaan sterk trillen waardoor u de controle kwijtraakt.
- ◆ Gebruik geen beschadigde hulpstukken. Inspecteer hulpstukken als slijpschijven voor elk gebruik op breuken en scheuren, steunpads op scheuren of te sterke slijtage en staalborstels op losse of gebroken draden. Als het gereedschap of het hulpstuk op de grond valt, controleert u het op beschadigingen of plaatst u een onbeschadigd hulpstuk. Na inspectie en installatie van een hulpstuk laat u het gereedschap onbelast één minuut lang op maximale snelheid draaien. Beschadigde hulpstukken breken gewoonlijk tijdens deze test.

- ◆ Draag beschermende uitrusting. Maak afhankelijk van de toepassing gebruik van gezichts- of oogbescherming of een veiligheidsbril. Gebruik indien nodig een stofmasker, gehoorbeschermers, handschoenen en een voorschoot dat kleine schurende deeltjes of fragmenten van het werkstuk kan tegenhouden. De oogbescherming moet beveiliging bieden tegen rondvliegende stof dat afkomstig is van diverse bewerkingen. Het stofmasker moet in staat zijn om de deeltjes te filteren die door uw activiteiten worden geproduceerd. Bij langdurige blootstelling aan geluid met een hoge intensiteit kan gehoorbeschadiging optreden.
- ◆ Houd omstanders op een veilige afstand van het werkgebied. Iedereen die het werkgebied betreedt, moet persoonlijk beschermingsmateriaal dragen. Fragmenten van het werkstuk of een gebroken hulpstuk kunnen wegvliegen en letsel veroorzaken buiten het onmiddellijke werkgebied.
- ◆ Houd het gereedschap alleen vast bij de geïsoleerde greepoppervlakken als u een handeling uitvoert waarbij het snijdende hulpstuk met onzichtbare draden of met het eigen snoer in aanraking kan komen. Als een draad onder spanning wordt geraakt door het snijdende hulpstuk, komen onbedekte metalen onderdelen van het gereedschap onder spanning te staan en krijgt u een schok.
- ◆ Houd het snoer weg van het draaiende hulpstuk. Als u de controle over het apparaat verliest, kan het snoer worden doorgesneden of vast komen te zitten en kan uw hand of arm in het draaiende hulpstuk worden getrokken.
- ◆ Leg het gereedschap nooit weg voordat het hulpstuk helemaal is uitgedraaid. Het draaiende hulpstuk kan in het oppervlak vastgrijpen en het gereedschap buiten uw bereik trekken.
- ◆ Laat het gereedschap niet draaien terwijl u het aan één kant draagt. Als het draaiende hulpstuk per ongeluk in contact komt met uw kleding, wordt het tegen uw lichaam getrokken.
- ◆ Maak de ventilatieopeningen van het gereedschap regelmatig schoon. Door de ventilator van de motor wordt stof in de behuizing gezogen. Door opeenhoping van poedervormig metaal kunnen elektrische schokken ontstaan.
- ◆ Gebruik het gereedschap niet in de buurt van ontvlambaar materiaal. Door vonken kunnen deze materialen vlam vatten.
- ◆ Gebruik geen hulpstukken die vloeibare koelmiddelen vereisen. Als u water of andere vloeibare koelmiddelen gebruikt, kan dat leiden tot elektrocutiegevaar of elektrische schokken.

Opmerking: de bovenstaande waarschuwing is niet van toepassing op gereedschap dat speciaal is ontworpen om met een vloeistofsysteem te werken.

## Terugslag en samenhangende waarschuwingen

Een terugslag is een plotselinge reactie van een vastgelopen of vastzittende draaischijf, steunpad, borstel of een ander hulpstuk. Door het vastzitten komt het roterende hulpstuk snel tot stilstand. Hierdoor wordt het ongecontroleerde gereedschap vervolgens geprojecteerd in de tegenovergestelde richting van de rotatie van het hulpstuk op het moment van vastlopen.

Als een zaagschijf bijvoorbeeld vastloopt in het werkstuk, zal de rand van de schijf die komt vast te zitten, dieper in het oppervlak van het materiaal dringen met als gevolg dat de schijf eruit loopt of eruit schiet. De schijf kan van de gebruiker af of juist naar de gebruiker toe springen, afhankelijk van de richting van de rotatie op het moment van vastlopen. Zaagschijven kunnen in dit geval ook breken.

Terugslag is het gevolg van het verkeerde gebruik of onjuiste gebruiksomstandigheden van het gereedschap. Met geschikte voorzorgsmaatregelen, zoals hieronder zijn beschreven, kan terugslag worden voorkomen.

- ◆ Houd het gereedschap met beide handen stevig vast en houd uw lichaam en armen zodanig dat u weerstand kunt bieden aan de terugslagkrachten. Gebruik indien aanwezig altijd de hulphandgreep zodat u maximale controle hebt over de terugslag of de torsiereactie bij het starten. Met geschikte voorzorgsmaatregelen kan de gebruiker de torsiereacties of terugslagkrachten onder controle houden.
- ◆ Plaats uw hand nooit vlakbij het roterende hulpstuk. Het hulpstuk kan terugslaan over uw hand.
- ◆ Houd uw lichaam altijd weg van de richting waarin het gereedschap zal bewegen in het geval van een terugslag. Door de terugslag zal het gereedschap worden geprojecteerd in de tegenovergestelde richting van de schijfbeweging op het moment van vastlopen.
- ◆ Wees met name voorzichtig bij het bewerken van hoeken, scherpe randen enzovoort. Voorkom dat het hulpstuk stuiterd en vast komt te zitten. Door hoeken, scherpe randen of stuiteren kan het roterende hulpstuk vast komen te zitten, waardoor u de controle verliest of een terugslag van het apparaat wordt veroorzaakt.
- ◆ Bevestig geen zaagblad van een kettingzaag of een getand zaagblad. Dergelijke bladen zijn vaak de oorzaak van een terugslag of verlies van controle.

## Veiligheidswaarschuwingen voor slijpen en zagen

- ◆ Gebruik uitsluitend schijven die zijn aanbevolen voor uw gereedschap en gebruik de beveiliging die bestemd is voor de geselecteerde schijf. Schijven die niet voor het gereedschap zijn ontworpen, kunnen niet afdoende worden afgeschermd en zijn dus niet veilig.



- ◆ De beschermkap moet stevig en in de juiste positie zijn bevestigd op het gereedschap zodat de schijf zo min mogelijk naar de gebruiker is gericht. De beschermkap beveiligd de gebruiker tegen afgebroken schijffragmenten en onbedoeld contact met de schijf.
- ◆ Gebruik de schijven alleen voor aanbevolen toepassingen. Bijvoorbeeld: probeer niet te slijpen met de zijkant van een zaagschijf. Zaagschijven zijn bedoeld om rondom te slijpen. Als er zijdelingse krachten op worden uitgeoefend, kunnen ze in stukjes breken.
- ◆ **Gebruik altijd onbeschadigde schijfflenzen met de juiste afmetingen en vorm voor de door u gekozen schijf.** Geschikte schijfflenzen ondersteunen de schijf en verminderen de kans op breken van de schijf. Flenzen voor zaagschijven kunnen afwijken van flenzen voor slijpschijven.
- ◆ Gebruik geen versleten schijven van grotere apparaten. Schijven van grotere apparaten zijn niet geschikt voor de hogere snelheid van het kleinere apparaat en kunnen barsten.

### Aanvullende veiligheidswaarschuwingen voor zagen

- ◆ Oefen niet te veel druk of kracht uit op de zaagschijf. Probeer niet een heel diepe zaagsnede te maken. Als u te veel druk uitoefent, wordt de schijf te zwaar belast en neemt de kans toe dat de schijf in de snee draait of vastgrijpt waardoor een terugslag kan ontstaan of de schijf kan breken.
- ◆ Ga niet op één lijn of achter de draaiende schijf staan. Als de schijf tijdens het gebruik van uw lichaam wegdraait, worden de draaiende schijf en het gereedschap bij een mogelijke terugslag recht naar u toe geslingerd.
- ◆ Wanneer de schijf vast komt te zitten, of wanneer u het zagen om welke reden dan ook wilt onderbreken, schakelt u het gereedschap uit en houdt u het zonder beweging vast totdat de schijf tot volledige stilstand is gekomen. Probeer de zaagschijf nooit uit de zaagsnede te halen terwijl de schijf nog beweegt. Hierdoor kan een terugslag optreden. Als de schijf vast komt te zitten, controleert u de oorzaak hiervan en lost u het probleem op.
- ◆ Start het gereedschap zaag niet opnieuw terwijl de zaag in het werkstuk zit. Laat de schijf eerst op volledige snelheid komen en plaats de schijf vervolgens voorzichtig weer in de zaagsnede. De schijf kan vast komen te zitten, omhoog schieten of terugslaan als het gereedschap opnieuw wordt gestart met de zaag in het werkstuk.

- ◆ Ondersteun panelen of andere grote werkstukken om het risico van vastlopen en terugslaan zo klein mogelijk te maken. Grote werkstukken zakken vaak in onder hun eigen gewicht. Er moeten steunen onder het werkstuk worden geplaatst: naast de snijlijn en naast de rand van het werkstuk aan beide zijden van de schijf.
- ◆ Wees extra voorzichtig wanneer u een dieptesnede wilt maken in bestaande muren of andere 'blinde' gebieden. De schijf kan gas- of waterleidingen, elektriciteitsdraden of andere objecten raken die een terugslag kunnen veroorzaken.

### Veiligheidswaarschuwingen voor schuren

- ◆ Gebruik geen schuurpapier met te grote afmetingen. Volg de aanbevelingen van de fabrikanten bij het selecteren van schuurpapier. Te groot schuurpapier dat uitsteekt buiten de schijf, kan scheuren of vastlopen, van de schijf losscheuren of een terugslag veroorzaken.

### Veiligheidswaarschuwingen voor polijsten

- ◆ Zorg dat er geen onderdelen van de polijstschijf of bevestigingsdraden loshangen. Stop ze weg of knip eventuele losse draden af. Losse en draaiende draden kunnen zich rond uw vingers wikkelen of in het werkstuk vast blijven zitten.

### Veiligheidswaarschuwingen voor borstelen

- ◆ Houd er rekening mee dat de borsteldraden ook bij normale werking afbreken. Oefen niet te veel kracht uit op de draden en de borstel. De borsteldraden kunnen gemakkelijk door dunne kleding en/of uw huid dringen.
- ◆ Als het gebruik van een beschermkap wordt aanbevolen voor het borstelen, zorg dan dat de borstelschijf of de borstel niet in contact komt met de kap. De diameter van de borstelschijf of de borstel kan toenemen door de belasting tijdens het werk en door middelpuntvliedende krachten.

### Veiligheid van anderen

- ◆ Dit apparaat mag niet worden gebruikt door personen (waaronder kinderen) met een lichamelijke of geestelijke beperking of die geen ervaring met of kennis van dit apparaat hebben, tenzij ze onder toezicht staan of instructies krijgen wat betreft het gebruik van het apparaat van een persoon die verantwoordelijk is voor hun veiligheid.
- ◆ Houd toezicht op kinderen om ervoor te zorgen dat zij niet met het apparaat gaan spelen.

## Overige risico's

Er kunnen zich tijdens het gebruik van het gereedschap ook andere risico's voordoen, die misschien niet in de bijgevoegde veiligheidswaarschuwingen worden vermeld. Deze risico's kunnen zich voordoen als gevolg van onoordeelkundig gebruik, langdurig gebruik, enz.

Zelfs als de veiligheidsvoorschriften in acht worden genomen en de veiligheidsvoorzieningen worden geïmplementeerd, kunnen bepaalde risico's niet worden vermeden. Deze omvatten:

- ◆ Verwondingen die worden veroorzaakt door het aanraken van draaiende of bewegende onderdelen.
- ◆ Verwondingen die worden veroorzaakt bij het vervangen van onderdelen, bladen of accessoires.
- ◆ Verwondingen die worden veroorzaakt door langdurig gebruik van het gereedschap. Als u langere periodes met het gereedschap werkt, is het raadzaam om regelmatig een pauze in te lassen.
- ◆ Gehoorbeschadiging.
- ◆ Gezondheidsrisico's als gevolg van het inademen van stof dat door gebruik van het gereedschap wordt veroorzaakt (bijvoorbeeld tijdens het werken met hout, vooral eiken, beuken en MDF.)

## Trillingen

De aangegeven waarden voor trillingsemisatie in de technische gegevens en de conformiteitsverklaring zijn gemeten conform een standaardtestmethode die door EN 60745 wordt geboden. Hiermee kan het ene gereedschap met het andere worden vergeleken. De aangegeven waarde voor trillingsemisatie kan ook worden gebruikt bij een voorlopige bepaling van blootstelling.

**Waarschuwing!** De waarde voor trillingsemisatie tijdens het werkelijke gebruik van het gereedschap kan verschillen van de aangegeven waarde afhankelijk van de manieren waarop het gereedschap wordt gebruikt. Het trillingsniveau kan hoger worden dan het aangegeven niveau.

Wanneer de blootstelling aan trillingen wordt vastgesteld teneinde veiligheidsmaatregelen te bepalen die worden vereist door 2002/44/EC ter bescherming van personen die tijdens hun werk regelmatig elektrische gereedschappen gebruiken, moet bij een schatting van de blootstelling aan trillingen rekening worden gehouden met de werkelijke omstandigheden van het gebruik en de manier waarop het gereedschap wordt gebruikt. Daarbij moet ook rekening worden gehouden met alle stappen in de gebruikscyclus, zoals het moment waarop het gereedschap wordt uitgeschakeld en wanneer het gereedschap stationair loopt alsook de aanlooptijd.

## Labels op het gereedschap

Het apparaat is voorzien van de volgende pictogrammen:



**Waarschuwing!** De gebruiker moet de instructiehandleiding lezen om het risico op letsel te verminderen.



Draag een veiligheidsbril of een stofbril als u deze machine gebruikt.



Draag gehoorbeschermers als u deze machine gebruikt.

## Elektrische veiligheid



Dit gereedschap is dubbel geïsoleerd. Een aardaansluiting is daarom niet noodzakelijk. Controleer altijd of uw netspanning overeenkomt met de waarde op het typeplaatje.

- ◆ Als het netsnoer is beschadigd, moet dit worden vervangen door de fabrikant of een Black & Decker-servicecentrum om gevaren te voorkomen.

## Onderdelen

Dit gereedschap kan de volgende onderdelen bevatten:

1. Aan/uit-schakelaar
2. Zijgreep
3. Spilvergrendeling
4. Beschermkap

## Montage

**Waarschuwing!** Zorg vóór aanvang van de montage dat de machine is uitgeschakeld en de netstekker is losgekoppeld van het lichtnet.

## Aanbrengen en verwijderen van de beschermkap (fig. A)

Het gereedschap is uitgerust met een beschermkap, die alleen bedoeld is voor slijpen. Als het gereedschap wordt gebruikt om te zagen, moet een specifieke beschermkap voor deze toepassing worden gemonteerd. Een geschikte beschermkap voor zagen, artikelnummer 1004484-06 voor KG701/ KG901 of 1004484-07 voor KG902, is verkrijgbaar bij Black & Decker-servicecentra.

## Bevestigen

- ◆ Plaats het gereedschap op een tafel met de spil (5) naar boven.
- ◆ Haal de vergrendeling los (7) en houd de beschermkap(4) boven het gereedschap zoals in de afbeelding.
- ◆ Lijn de lipjes (8) uit met de inkepingen (9).

- ◆ Druk de kap naar beneden en draai deze linksom in de juiste positie.
- ◆ Bevestig de vergrendeling (7) om de kap op het gereedschap vast te zetten.
- ◆ Draai indien gewenst de schroef (6) aan om nog sterker te vergrendelen.

#### Verwijderen

- ◆ Haal de vergrendeling (7) los.
- ◆ Draai de kap naar rechts om de lipjes (8) uit te lijnen met de inkepingen (9).
- ◆ Verwijder de beschermkap van het gereedschap.

**Waarschuwing!** Gebruik het apparaat nooit zonder de beschermkap.

#### Aanbrengen van de zijgreep

- ◆ Schroef de zijgreep (2) op een van de bevestigingsgaten in het gereedschap.

**Waarschuwing!** Gebruik de zijgreep altijd.

#### Slijp- of zaagschijven monteren en loshalen (fig. B - D)

Gebruik altijd het juiste type schijf voor uw toepassing. Gebruik altijd schijven met de juiste diameter en boring (zie technische gegevens).

#### Bevestigen

- ◆ Plaats de beschermkap op de hiervoor beschreven wijze.
- ◆ Plaats de binnenste flens(10) op de spil (5) zoals is afgebeeld (fig. B). Zorg dat de flens correct op de vlakke zijden van de as rust.
- ◆ Plaats de schijf (11) op de spil (5) zoals is afgebeeld (fig. B). Als de schijf een verhoogde middengedeelte heeft (12), houdt u dit in de richting van de binnenste flens.
- ◆ Zorg dat u de schijf correct op de binnenste flens plaatst.
- ◆ Plaats de buitenste flens (13) op de spil. Wanneer u een slijpschijf aanbrengt, moet het verhoogde middengedeelte van de buitenste flens naar de schijf zijn gericht (A in fig. C). Wanneer u een zaagschijf aanbrengt, moet het verhoogde middengedeelte van de buitenste flens van de schijf af zijn gericht (B in fig. C).
- ◆ Houd de spilvergrendeling (3) ingedrukt en bevestig de buitenste flens met de haaksleutel (14) (fig. D).

#### Verwijderen

- ◆ Houd de spilvergrendeling (3) ingedrukt en haal de buitenste flens (13) los met de haaksleutel (14) (fig. D).
- ◆ Verwijder de buitenste flens (13) en de schijf (11).

#### Schuurschijven plaatsen en verwijderen (fig. D & E)

Voor schuurtoepassingen is een steunpad vereist. Steunpads zijn als accessoire verkrijgbaar bij uw Black & Decker-leverancier.

#### Bevestigen

- ◆ Plaats de binnenste flens(10) op de spil (5) zoals is afgebeeld (fig. E). Zorg dat de flens correct op de vlakke zijden van de as rust.
- ◆ Plaats de steunpad (15) op de spil.
- ◆ Plaats de schuurschijf (16) op de steunpad.
- ◆ Plaats de buitenste flens (13) op de spil met het verhoogde middengedeelte van de schijf af gericht.
- ◆ Houd de spilvergrendeling (3) ingedrukt en bevestig de buitenste flens met de haaksleutel (14) (fig. D). Zorg dat de buitenste flens correct is aangebracht en dat de schijf stevig vastzit.

#### Verwijderen

- ◆ Houd de spilvergrendeling (3) ingedrukt en haal de buitenste flens (13) los met de haaksleutel (14) (fig. D).
- ◆ Verwijder de buitenste flens (13), de schuurschijf (16) en de steunpad (15).

#### Gebruik van het gereedschap

**Waarschuwing!** Laat het gereedschap in zijn eigen tempo werken. Niet overbelasten.

- ◆ Geleid het snoer zorgvuldig om te voorkomen dat het per ongeluk wordt beschadigd.
- ◆ Wees voorbereid op een vonkenregen wanneer de slijp- of zaagschijf het werkstuk raakt.
- ◆ Plaats het gereedschap altijd zo dat de beschermkap optimale bescherming biedt voor de slijp- of zaagschijf.

#### In- en uitschakelen

- ◆ Schuif de aan/uit-schakelaar (1) naar voren om het apparaat in te schakelen. Het gereedschap blijft werken wanneer u de schakelaar loslaat.
- ◆ Om de machine uit te schakelen drukt u op het achterste deel van de aan/uit-schakelaar.

**Waarschuwing!** Zet het gereedschap niet uit of aan terwijl het contact maakt met het werkstuk.

#### Tips voor optimaal gebruik

- ◆ Houd het gereedschap stevig vast met één hand rond de zijgreep en de andere rond de hoofdgreep.
- ◆ Houd bij slijpen altijd een hoek van circa 15° aan tussen de schijf en het oppervlak van het werkstuk.

#### Onderhoud

Uw Black & Decker-gereedschap-/apparaat (met netsnoer/snoerloos) is ontworpen om gedurende langere tijd te functioneren met een minimum aan onderhoud. U kunt het gereedschap naar volle tevredenheid blijven gebruiken als u voor correct onderhoud zorgt en het gereedschap regelmatig schoonmaakt.

**Waarschuwing!** Doe altijd het volgende voordat u onderhouds- of reinigingswerkzaamheden aan het gereedschap (met snoer/snoerloos) uitvoert.

- ◆ Schakel het gereedschap/apparaat uit en trek de stekker uit het stopcontact.
- ◆ Als het gereedschap/apparaat een afzonderlijke accu heeft, schakelt u het gereedschap/apparaat uit en haalt u de accu eruit.
- ◆ Als de accu is ingebouwd, laat u deze volledig ontladen. Schakel dan het apparaat uit.
- ◆ Neem de lader uit het stopcontact voordat u deze schoonmaakt. Naast regelmatige reiniging vereist de lader geen onderhoud.
- ◆ Reinig regelmatig de ventilatieopeningen van het gereedschap/apparaat/lader met een zachte borstel of droge doek.
- ◆ Reinig de behuizing van de motor regelmatig met een vochtige doek. Gebruik geen schuur- of oplosmiddel.
- ◆ Open regelmatig de spanknop en tik erop om eventueel stof uit het binnenste te verwijderen (indien van toepassing).

### Netstekker vervangen (alleen Verenigd Koninkrijk en Ierland)

Als er een nieuwe netstekker moet worden aangebracht:

- ◆ Gooi de oude stekker op verantwoorde wijze weg.
- ◆ Verbind de bruine draad met de spannings-/fasepool in de nieuwe stekker.
- ◆ Verbind de blauwe draad met de nul-/neutraalpool.

**Waarschuwing!** De aardepool hoeft niet te worden aangesloten. Volg de bevestigingsinstructies die met hoogwaardige stekkers worden meegeleverd. Aanbevolen zekering: 13 A.

### Milieu



Aparte inzameling. Dit product mag niet met normaal huishoudelijk afval worden weggegooid.

Mocht u op een dag constateren dat het Black & Decker-product aan vervanging toe is of dat u het apparaat niet meer nodig hebt, gooi het product dan niet bij het restafval. Het product valt onder de categorie voor elektrische apparaten.



Gescheiden inzameling van gebruikte producten en verpakkingsmaterialen maakt het mogelijk materialen te recycleren en opnieuw te gebruiken. Hergebruik van gerecycleerde materialen zorgt voor minder milieuvuiling en dringt de vraag naar grondstoffen terug.

Plaatselijke verordeningen kunnen voorzien in gescheiden inzameling van huishoudelijke elektrische producten via gemeentelijke stortplaatsen of via de leverancier bij wie u een nieuw product aanschaft.

Black & Decker biedt de mogelijkheid tot het recyclen van afgedankte Black & Decker-producten. Om gebruik te maken van deze service, dient u het product naar een van onze servicecentra te sturen, die de inzameling voor ons verzorgen.

U kunt het adres van het dichtstbijzijnde servicecentrum opvragen via de adressen op de achterzijde van deze handleiding. Een lijst van onze servicecentra en meer informatie over onze klantenservice vindt u ook op het volgende internetadres: [www.2helpU.com](http://www.2helpU.com)

### Technische gegevens

		KG701 (Type 1)	KG901 (Type 1)	KG902 (Type 1)
Ingangsspanning	V <sub>ac</sub>	230	230	230
Opgenomen vermogen	W	710	900	900
Onbelaste snelheid	min <sup>-1</sup>	10,500	11,000	11,000
Diameter schijf	mm	115	115	125
Schijfboring	mm	22	22	22
<b>Maximale schijfdikte</b>				
slijpschijven	mm	6	6	6
zaagschijven	mm	3.5	3.5	3.5
Spilgrootte		M14	M14	M14
Gewicht	kg	2.1	2.1	2.1

<b>L<sub>DA</sub> (geluidsdruk) 92.6 dB(A), onzekerheid (K) 3 dB(A)</b>
<b>L<sub>VIA</sub> (geluidsvermogen) 103.5 dB(A), onzekerheid (K) 3 dB(A)</b>
<b>Totale trillingswaarden (som triaxvector) volgens EN 60745:</b>
Slijpen (a <sub>h,SG</sub> ) 9.9 m/s <sup>2</sup> , onzekerheid (K) 1.5 m/s <sup>2</sup>
Zagen (a <sub>h</sub> ) 6.2 m/s <sup>2</sup> , onzekerheid (K) 1.5 m/s <sup>2</sup>
Polijssten (a <sub>h,p</sub> ) 4.6 m/s <sup>2</sup> , onzekerheid (K) 1.5 m/s <sup>2</sup>
Schuren (a <sub>h,DS</sub> ) 9.6 m/s <sup>2</sup> , onzekerheid (K) 1.5 m/s <sup>2</sup>
Staalborstel (a <sub>h</sub> ) 10.2 m/s <sup>2</sup> , onzekerheid (K) 1.5 m/s <sup>2</sup>

**EG-conformiteitsverklaring**

RICHTLIJN MACHINERIEËN



KG701 / KG901 / KG902

Black & Decker verklaart dat deze producten, die zijn beschreven onder "Technische gegevens", voldoen aan:

2006/42/EC, EN 60745-1, EN 60745-2-3

Deze producten voldoen tevens aan richtlijn 2004/108/EG en 2011/65/EU.

Neem voor meer informatie contact op met Black & Decker op het volgende adres of raadpleeg de achterzijde van de handleiding.

Ondergetekende is verantwoordelijk voor de compilatie van het technische bestand en geeft deze verklaring namens Black&Decker af.

Kevin Hewitt

Vice-President Global Engineering  
Black & Decker Europe, 210 Bath Road, Slough,  
Berkshire, SL1 3YD, Groot-Brittannië  
30/03/2012

**Garantie**

Black & Decker heeft vertrouwen in haar producten en biedt een uitstekende garantie. Deze garantiebepalingen vormen een aanvulling op uw wettelijke rechten en beperken deze niet. De garantie geldt in de lidstaten van de Europese Unie en de Europese Vrijhandelsassociatie.

Mocht uw Black & Decker product binnen 24 maanden na de datum van aankoop defect raken ten gevolge van materiaal- of constructiefouten, dan garanderen wij de kosteloze vervanging van defecte onderdelen, de reparatie van het product of de vervanging van het product, tenzij:

- ◆ Het product is gebruikt voor handelsdoeleinden, professionele toepassingen of verhuurdoeleinden.
- ◆ Het product onoordeelkundig is gebruikt.
- ◆ Het product is beschadigd door invloeden van buitenaf of door een ongeval.
- ◆ Reparaties zijn uitgevoerd door anderen dan onze servicecentra of Black & Decker-personeel.

Om een beroep te doen op de garantie, dient u een aankoopbewijs te overhandigen aan de verkoper of een van onze servicecentra. U kunt het adres van het dichtstbijzijnde servicecentrum opvragen via de adressen op de achterzijde van deze handleiding. Een lijst van onze servicecentra en meer informatie over onze klantenservice vindt u ook op het volgende internetadres: [www.2helpU.com](http://www.2helpU.com)

Meld u aan op onze website [www.blackanddecker.nl](http://www.blackanddecker.nl) om te worden geïnformeerd over nieuwe producten en speciale aanbiedingen. Verdere informatie over het merk Black & Decker en onze producten vindt u op [www.blackanddecker.nl](http://www.blackanddecker.nl).

## Uso previsto

La amoladora angular de Black & Decker se ha diseñado para pulir y cortar metales y mampostería con el tipo de disco abrasivo o de corte apropiado. Cuando se encuentra colocada con la protección adecuada, esta herramienta está pensada únicamente para uso doméstico.

## Instrucciones de seguridad

### Advertencias de seguridad generales para herramientas eléctricas



¡Atención! Lea todas las advertencias e instrucciones de seguridad. En caso de no atenerse a las siguientes advertencias e instrucciones de seguridad, podría producirse una descarga eléctrica, incendio o lesión grave.

Guarde todas las advertencias e instrucciones para futuras consultas. El término "herramienta eléctrica" empleado en las advertencias a continuación hace referencia a la herramienta eléctrica con alimentación de red (con cable) o alimentada por batería (sin cable).

#### 1. Seguridad del área de trabajo

- a. Mantenga limpia y bien iluminada el área de trabajo. El desorden o una iluminación deficiente en las áreas de trabajo puede provocar accidentes.
- b. No utilice la herramienta eléctrica en un entorno con **peligro de explosión, en el que se encuentren líquidos, gases o material en polvo inflamables**. Las herramientas eléctricas producen chispas que pueden llegar a inflamar el polvo o los vapores.
- c. Cuando utilice la herramienta eléctrica, mantenga alejados a los niños y a otras personas del área de trabajo. Una distracción le puede hacer perder el control sobre la herramienta.

#### 2. Seguridad eléctrica

- a. El enchufe de la herramienta eléctrica debe corresponder a la toma de corriente utilizada. **No modifique el enchufe. No emplee adaptadores** en herramientas eléctricas dotadas con toma de tierra. Estas pautas le ayudarán a reducir el riesgo de descargas eléctricas.
- b. Evite tocar partes conectadas a tierra como tuberías, radiadores, cocinas y refrigeradores. El riesgo de descarga eléctrica es mayor si el usuario entra en contacto con elementos conectados a tierra.
- c. No exponga las herramientas eléctricas a la lluvia y **evite que penetren líquidos en su interior**, ya que existe el peligro de recibir una descarga eléctrica.

- d. Cuide el cable de alimentación. No lo utilice para transportar o colgar la herramienta eléctrica, ni tire de él para sacar el enchufe de la toma de corriente. **Manténgalo alejado del calor, aceite, bordes afilados o piezas móviles**. Los cables de red dañados o enredados incrementan el riesgo de descarga eléctrica.
- e. Si trabaja con la herramienta eléctrica en el exterior, utilice solamente cables de prolongación homologados para uso en exteriores. Esto le ayudará a reducir el riesgo de descarga eléctrica.
- f. Si la utilización de una herramienta eléctrica en un lugar húmedo es inevitable, utilice una fuente protegida con un dispositivo de corriente residual (RCD). La utilización de un RCD reduce el riesgo de sufrir descargas eléctricas.

#### 3. Seguridad personal

- a. **Esté atento a lo que hace y utilice la herramienta eléctrica con prudencia**. No utilice la herramienta eléctrica si estuviese cansado, ni tampoco después de haber consumido alcohol, drogas o medicamentos. Si desatiende la herramienta, aunque sea durante unos instantes, puede haber riesgo de lesiones graves.
- b. Utilice material de protección personal. Utilice siempre gafas de protección. El riesgo de lesiones se reduce considerablemente si se utiliza material de protección adecuado como una mascarilla antipolvo, zapatos de seguridad con suela antideslizante, casco o protectores auditivos.
- c. **Impida que la herramienta se ponga en marcha accidentalmente. Asegúrese de que el interruptor de encendido/apagado se encuentre en la posición de apagado antes de conectar la herramienta a la fuente de alimentación o a la batería, o de coger o transportar la herramienta**. Transportar la herramienta eléctrica con el dedo sobre el interruptor o enchufarla con el interruptor encendido puede provocar accidentes.
- d. **Retire las herramientas de ajuste o llaves fijas antes de conectar la herramienta eléctrica**. Una herramienta o llave colocada en una pieza giratoria de la herramienta puede producir lesiones al ponerse ésta en marcha.
- e. **Sea precavido. Evite adoptar una posición que fatigue su cuerpo; mantenga un apoyo firme sobre el suelo y conserve el equilibrio en todo momento**. Ello le permitirá controlar mejor la herramienta eléctrica en caso de presentarse una situación inesperada.
- f. Vístase con la ropa adecuada. **No lleve ropa holgada ni joyas**. Aleje el pelo, la ropa y los guantes de las piezas móviles. La ropa holgada, las joyas y el pelo largo se pueden enganchar con las piezas en movimiento.

- g. **Siempre que sea posible utilizar unos equipos de aspiración o captación de polvo, asegúrese de que éstos estén montados y que sean utilizados** correctamente. El empleo de estos equipos reduce los riesgos derivados del polvo.
4. Uso y cuidado de herramientas eléctricas
- a. No sobrecargue la herramienta eléctrica. Use la herramienta adecuada para cada aplicación. Con la herramienta eléctrica adecuada podrá trabajar mejor y más seguro dentro del margen de potencia indicado.
- b. No utilice herramientas eléctricas con un interruptor defectuoso. Las herramientas eléctricas que no se puedan conectar o desconectar son peligrosas y deben hacerse reparar.
- c. Desconecte de la herramienta eléctrica el enchufe de la fuente de alimentación y de la batería antes de **realizar cualquier ajuste, cambiar accesorios o guardar la herramienta**. Esta medida preventiva reduce el riesgo de encender accidentalmente la herramienta eléctrica.
- d. Guarde las herramientas eléctricas fuera del alcance **de los niños y de las personas que no estén** familiarizadas con su uso. Las herramientas eléctricas utilizadas por personas inexpertas son peligrosas.
- e. Cuide sus herramientas eléctricas con esmero. Controle si funcionan correctamente, sin atascarse, las partes móviles de la herramienta eléctrica, y si **existen partes rotas o deterioradas que pudieran** afectar al funcionamiento de la herramienta. Si la **herramienta eléctrica estuviese defectuosa haga que** la reparen antes de volver a utilizarla. Muchos accidentes se deben a herramientas eléctricas con un mantenimiento deficiente.
- f. **Mantenga las herramientas de corte limpias y afiladas**. Las herramientas de corte mantenidas correctamente se dejan guiar y controlar mejor.
- g. Utilice la herramienta eléctrica, los accesorios, los útiles de la herramienta, etc. de acuerdo con estas instrucciones, y tenga en cuenta las condiciones de **trabajo y la tarea que se va a realizar**. El uso de herramientas eléctricas para trabajos diferentes de aquellos para los que han sido concebidas puede resultar peligroso.
5. Servicio técnico
- a. Esta herramienta eléctrica solo la puede reparar **personal técnico autorizado que emplee** exclusivamente piezas de repuesto originales. Solamente así se garantiza la seguridad de la herramienta eléctrica.

## Advertencias de seguridad adicionales para herramientas eléctricas



¡Atención! Advertencias de seguridad adicionales para las operaciones de abrasión, lijado, cepillado eléctrico, pulido o corte abrasivo

- ◆ Esta herramienta eléctrica está diseñada para funcionar como herramienta abrasiva, lijadora, de cepillado eléctrico pulidora o de corte abrasivo. Lea todas las advertencias, instrucciones, ilustraciones y **especificaciones suministradas con esta herramienta** eléctrica. En caso de no atenerse a las instrucciones de seguridad siguientes, ello puede dar lugar a una descarga eléctrica, incendio o lesión grave.
- ◆ **Realizar operaciones para las que no se ha diseñado** esta herramienta eléctrica podría causar riesgos y provocar lesiones personales.
- ◆ **No utilice accesorios que el fabricante de la herramienta no haya diseñado ni recomendado específicamente**. Por el simple hecho de que el accesorio se pueda colocar en la herramienta eléctrica, no asegura que tenga un funcionamiento seguro.
- ◆ La velocidad nominal del accesorio debe ser al menos igual a la velocidad máxima marcada en la herramienta eléctrica. Los accesorios que se utilicen a una velocidad superior a su velocidad nominal pueden romperse y volar en pedazos.
- ◆ El diámetro exterior y el grosor del accesorio deben estar dentro del rango de capacidad de la herramienta eléctrica. Los accesorios de un tamaño inadecuado no se podrán proteger o controlar correctamente.
- ◆ La forma del eje de ruedas, bridas, almohadillas protectoras u otros accesorios debe encajar correctamente con el eje de la herramienta eléctrica. Los accesorios que dispongan de orificios para el eje que no encajen con los elementos de montaje de la herramienta eléctrica se desequilibrarán, vibrarán de manera excesiva y pueden causar una pérdida de control.
- ◆ **No utilice un accesorio dañado**. Antes de cada uso, compruebe aspectos del accesorio como las virutas y las grietas de las ruedas abrasivas, grietas, desgaste o rotura excesiva de la almohadilla protectora o cables sueltos o agrietados del cepillo eléctrico. Si la herramienta eléctrica o el accesorio se caen, **compruebe que no haya daños o instale un accesorio que no esté dañado**. Después de comprobar e instalar un accesorio, utilice la herramienta eléctrica a la velocidad máxima sin carga durante un minuto. Por lo general, los accesorios dañados se romperán durante este tiempo de prueba.

- ◆ **Lleve un equipo de protección personal. En función de la aplicación, utilice careta de protección, gafas de seguridad o gafas protectoras. Si es necesario, lleve mascarilla antipolvo, protectores para los oídos, guantes y un delantal protector capaz de detener pequeños fragmentos abrasivos o de piezas de trabajo.** La protección ocular debe ser capaz de detener residuos volantes generados por diferentes operaciones. La mascarilla antipolvo o la mascarilla de oxígeno deben ser capaces de filtrar las partículas que se han generado debido al funcionamiento. La exposición prolongada a ruidos de intensidad elevada puede provocar una pérdida de la audición.
- ◆ **Mantenga alejadas a una distancia segura a otras personas de la zona de trabajo. Cualquier persona que entre en la zona de trabajo debe llevar el equipo de protección personal.** Los fragmentos de piezas de trabajo de un accesorio roto pueden salir disparados y causar lesiones en las inmediaciones de la zona de trabajo.
- ◆ **Sujete la herramienta eléctrica únicamente por la superficie de agarre protegida cuando realice una operación en la que el accesorio de corte pueda entrar en contacto con cableado oculto o con su propio cable.** El contacto del accesorio de corte con un cable conectado a la red eléctrica podría hacer que las partes metálicas de la herramienta transmitieran esa electricidad y producir una descarga al usuario.
- ◆ **Coloque el cable alejado del accesorio giratorio.** Si pierde el control, el cable podría cortarse o quedarse enganchado y la mano o el brazo podrían introducirse en el accesorio giratorio.
- ◆ **No deposite nunca la herramienta eléctrica hasta que el accesorio se haya detenido por completo.** El accesorio giratorio podría agarrar la superficie y hacerle perder el control de la herramienta eléctrica.
- ◆ **No utilice la herramienta eléctrica mientras la lleva con usted.** El contacto accidental con el accesorio giratorio podría rasgar la ropa, lo que podría provocar que el accesorio entrara en contacto con su cuerpo.
- ◆ **Limpie las ventilaciones de aire de la herramienta eléctrica de forma regular.** El ventilador del motor llevará el polvo al interior del depósito y la acumulación excesiva de metal en polvo podría causar descargas eléctricas.
- ◆ **No utilice la herramienta eléctrica cerca de materiales inflamables.** Las chispas podrían inflamar dichos materiales.
- ◆ **No utilice accesorios que necesiten líquidos de refrigeración.** Si utiliza agua u otros líquidos refrigerantes, podría causar una electrocución o un shock.

Nota: Las advertencias anteriores no se aplican para herramientas eléctricas diseñadas específicamente para su uso con un sistema con líquido.

## Retroceso y advertencias relacionadas

El retroceso es una acción repentina a una rueda giratoria, almohadilla protectora, cepillo o cualquier otro accesorio que se ha enganchado. Al engancharse, el accesorio giratorio se atasca rápidamente, lo que provoca que la herramienta eléctrica se dirija de manera forzada e incontrolada en dirección contraria a la rotación del accesorio en el punto en el que se ha bloqueado.

Por ejemplo, si una rueda abrasiva se engancha con una pieza de trabajo, el borde de la rueda que se está introduciendo en el punto de enganche podría realizar un orificio en la superficie del material, lo que provocaría que la rueda ascendiera o se saliera. La rueda podría acercarse o alejarse del operario de un salto, en función de la dirección del movimiento de la rueda en el momento de engancharse. Las ruedas abrasivas también pueden romperse en las siguientes condiciones.

El retroceso es el resultado de la utilización inadecuada de la herramienta eléctrica y/o procedimientos o condiciones de trabajo incorrectos y puede evitarse tomando las precauciones que se detallan a continuación.

- ◆ **Sujete con firmeza la herramienta eléctrica y coloque el cuerpo y el brazo de manera que resista las fuerzas de retroceso.** Utilice siempre un mango auxiliar si se ha suministrado para obtener un control máximo sobre las reacciones de retroceso o torsión durante el arranque. El operario puede controlar las reacciones de torsión o las fuerzas de retroceso si se toman las precauciones adecuadas.
- ◆ **No coloque nunca la mano cerca del accesorio giratorio.** El accesorio podría retroceder sobre la mano.
- ◆ **No coloque el cuerpo en la zona hacia la que la herramienta eléctrica se moverá si se produce el retroceso.** El retroceso propulsará la herramienta hacia la dirección contraria del movimiento de la rueda en el punto en el que se ha enganchado.
- ◆ **Tenga especial cuidado al trabajar con esquinas, bordes afilados, etc. Evite que la herramienta se balancee o se enganche.** Las esquinas, los bordes afilados o el balanceo tienden a provocar que el accesorio giratorio se enganche y se pierda el control o se produzca el retroceso.
- ◆ **No coloque una hoja de sierra de cadena para cortar madera o una hoja de sierra dentada.** Dichas hojas crean con frecuencia retroceso y pérdida de control.



## Advertencias de seguridad para operaciones de corte de lijado y abrasivas

- ◆ Utilice únicamente tipos de rueda recomendados para la **herramienta eléctrica y la protección específica** diseñada para la rueda seleccionada. Las ruedas que no han sido diseñadas para la herramienta eléctrica no se pueden proteger adecuadamente y no son seguras.
- ◆ La **protección se debe instalar con firmeza en la herramienta eléctrica y colocarse con la máxima seguridad, de manera que la menor parte de la rueda quede expuesta al operario**. La protección ayuda al operario a protegerlo de los fragmentos de rueda rota y del contacto accidental con la rueda.
- ◆ Las ruedas se deben utilizar únicamente para las aplicaciones recomendadas. Por ejemplo: no lije con el lateral de la rueda de corte. Las ruedas de corte abrasivo están diseñadas para lijar de manera periférica, si se aplican fuerzas laterales a estas ruedas podría destruirlas.
- ◆ **Utilice siempre bridas de rueda que no estén dañadas del tamaño y la forma correctos para la rueda seleccionada**. Las bridas de rueda adecuadas sujetan la rueda, reduciendo así la posibilidad de que esta se rompa. Es posible que las bridas para las ruedas de corte sean diferentes a las bridas de rueda de lijado.
- ◆ No utilice ruedas desgastadas de herramientas eléctricas más grandes. Una rueda diseñada para una herramienta eléctrica más grande no es adecuada para la mayor velocidad de una herramienta más pequeña y podría estallar.

## Advertencias de seguridad adicionales específicas para operaciones de corte abrasivas

- ◆ **No "atasque" la rueda de corte ni aplique excesiva presión**. No intente realizar un corte demasiado profundo. Presionar demasiado la rueda aumenta la carga y la susceptibilidad a que la rueda se gire o se incline en el corte, así como la posibilidad de que se produzca un retroceso o que la rueda se rompa.
- ◆ **No coloque el cuerpo en línea con la rueda giratoria ni detrás de ella**. Cuando la rueda, en el momento de la operación, se está alejando del cuerpo, el posible retroceso puede propulsar la rueda giratoria y la herramienta eléctrica directamente hacia usted.
- ◆ **Cuando la rueda se bloquee o cuando, por algún motivo, interrumpa un corte, apague la herramienta eléctrica y no la mueva hasta que la rueda se haya detenido por completo**. No intente nunca extraer la rueda de corte del corte mientras la rueda está en movimiento o de lo contrario, es posible que se produzca un retroceso. Investigue y adopte la medida correctora necesaria para eliminar la causa del bloqueo de la rueda.

- ◆ No reinicie la operación de corte en la pieza de trabajo. **Deje que la rueda alcance la máxima velocidad** y vuelva a introducirla en el corte con cuidado. La rueda podría bloquearse, acercarse o sufrir retroceso si la herramienta eléctrica se reinicia en la pieza de trabajo.
- ◆ **Apoye los paneles o cualquier pieza de trabajo de gran tamaño en una superficie para minimizar el riesgo de que la rueda quede atrapada o salga despedida hacia atrás**. Las piezas de trabajo grandes tienen tendencia a combarse por su propio peso. Es preciso poner soportes bajo la pieza de trabajo, cerca de la línea de corte y del borde de la pieza a ambos lados de la rueda.
- ◆ Adopte medidas de precaución extraordinarias cuando efectúe un "corte de cavidad" en muros u otras zonas ciegas. La parte que sobresalga de la rueda puede cortar tuberías de gas o de agua, cables eléctricos u objetos que pueden provocar que salga disparada hacia atrás.

## Advertencias de seguridad específicas para operaciones de lijado

- ◆ No utilice papel para discos de lijado excesivamente grandes. Siga las recomendaciones de los fabricantes cuando seleccione el papel de lija. Un papel de lija más grande que se extienda más allá de la almohadilla de lijado produce daños por laceración y puede provocar que el disco se enganche, se rompa o salga disparado hacia atrás.

## Advertencias de seguridad específicas para operaciones de pulido

- ◆ **No permita que ninguna parte suelta de la cubierta para pulido o las cintas de sujeción estén girando sin control. Sujete o corte cualquier cinta de sujeción que esté suelta**. Las cintas de sujeción sueltas que giran pueden enrollarse en sus dedos o rasgar la pieza de trabajo.

## Advertencias de seguridad específicas para operaciones de cepillado eléctrico

- ◆ **Tenga en cuenta que el cepillo despide cerdas de alambre incluso durante el funcionamiento normal**. No ejerza demasiada presión sobre los cables al aplicar una carga excesiva al cepillo. Las cerdas de alambre pueden penetrar fácilmente en ropa ligera o en la piel.
- ◆ Si se recomienda el uso de una protección para el **cepillado eléctrico, no permita que haya interferencias en la rueda o en el cepillo eléctricos con la protección**. La rueda o el cepillo eléctricos pueden ampliar su diámetro debido a la carga de trabajo y las fuerzas centrífugas.

## Seguridad de terceros

- ◆ Ninguna persona (incluyendo niños) con capacidades físicas, sensoriales o mentales disminuidas, o que carezca de experiencia y conocimientos, debe utilizar este aparato, salvo que haya recibido supervisión o formación con respecto al uso del aparato por parte de una persona responsable de su seguridad.
- ◆ Los niños deben vigilarse en todo momento para garantizar que el aparato no se toma como elemento de juego.

## Riesgos residuales.

El uso de esta herramienta puede producir riesgos residuales adicionales no incluidos en las advertencias de seguridad adjuntas. Estos riesgos se pueden generar por un uso incorrecto, demasiado prolongado, etc.

El cumplimiento de las normas de seguridad correspondientes y el uso de dispositivos de seguridad no evitan ciertos riesgos residuales. Estos riesgos incluyen:

- ◆ Lesiones producidas por el contacto con piezas móviles o giratorias.
- ◆ **Lesiones producidas al cambiar cualquier pieza, cuchilla o accesorio.**
- ◆ Lesiones producidas al usar una herramienta por un tiempo demasiado prolongado. Si utiliza una herramienta durante periodos de tiempo demasiado prolongados, asegúrese de realizar pausas con frecuencia.
- ◆ Discapacidad auditiva.
- ◆ **Riesgos para la salud producidos al respirar el polvo que se genera al usar la herramienta (por ejemplo: en los trabajos con madera, especialmente de roble, haya y tableros de densidad mediana).**

## Vibración

El valor de emisión de vibraciones declarado en el apartado de características técnicas y en la declaración de conformidad se ha calculado según un método de prueba estándar proporcionado por la norma EN 60745 y puede utilizarse para comparar una herramienta con otra. El valor de emisión de vibraciones especificado también podrá utilizarse en una evaluación preliminar de la exposición.

¡Atención! El valor de emisión de vibraciones durante el funcionamiento real de la herramienta eléctrica puede diferir del valor declarado en función de cómo se utilice dicha herramienta. El nivel de las vibraciones puede aumentar por encima del nivel declarado.

Al evaluar la exposición a las vibraciones con el fin de determinar las medidas de seguridad que exige la norma 2002/44/CE para proteger a las personas que utilizan periódicamente herramientas eléctricas en el entorno laboral, deberá tenerse en cuenta una estimación de la exposición a las vibraciones, las condiciones de uso reales y el modo de empleo de la herramienta, así como los pasos del ciclo operativo como, por ejemplo, el número de veces que la herramienta se apaga, el tiempo que está parada y el tiempo de activación.

## Etiquetas en la herramienta

Encontrará los siguientes pictogramas en la herramienta:



¡Atención! Para reducir el riesgo de lesiones, el usuario debe leer el manual de instrucciones.



Cuando utilice la herramienta, lleve siempre gafas protectoras.



Cuando utilice la herramienta, utilice siempre protección para los oídos.

## Seguridad eléctrica



Esta herramienta lleva un doble aislamiento; por lo tanto, no requiere una toma a tierra. Compruebe siempre que la tensión de la red corresponda con el valor indicado en la placa de datos de la herramienta.

- ◆ Si el cable de alimentación está dañado, debe ser sustituido por el fabricante o en un centro de asistencia técnica autorizado de Black & Decker para evitar cualquier situación de riesgo.

## Características

Esta herramienta incluye una o más de las siguientes características.

1. Interruptor de encendido/apagado
2. Empuñadura lateral
3. Bloqueo del eje
4. Protector

## Montaje

¡Atención! Antes de proceder al montaje, compruebe que la herramienta está apagada y desenchufada.

## Ajuste y desmontaje del protector (fig. A)

La herramienta se suministra con un protector que solamente debe utilizarse para lijar. Si la unidad se ha diseñado para realizar operaciones de corte, se debe colocar un protector específico para esta operación. Hay disponible un protector adecuado para las operaciones de corte con los números 1004484-06 para el KG701/KG901 y 1004484-07 para el KG902 y se puede obtener en los centros de servicio de Black & Decker.

### Montaje

- ◆ Coloque la herramienta en una mesa, con el eje (5) mirando hacia arriba.
- ◆ Suelte el mecanismo de enganche (7) y sujete el protector (4) sobre la herramienta tal como se muestra.
- ◆ Alinee los salientes (8) con las muescas (9).
- ◆ Presione el protector hacia abajo y gírelo en el sentido de las agujas del reloj hasta la posición indicada.
- ◆ Fije el mecanismo de enganche (7) para asegurar el protector a la herramienta.
- ◆ Si fuera necesario, apriete el tornillo (6) para aumentar la fuerza del enganche.

### Desmontaje

- ◆ Suelte el mecanismo de enganche (7).
- ◆ Gire el protector en el sentido de las agujas del reloj para alinear los salientes (8) con las muescas (9).
- ◆ Extraiga el protector de la herramienta.

¡Atención! Nunca utilice la herramienta sin el protector.

## Montaje de la empuñadura lateral

- ◆ Atornille la empuñadura lateral (2) en uno de los orificios de montaje de la herramienta.

¡Atención! Utilice siempre la empuñadura lateral.

## Montaje y desmontaje de los discos de pulido o de corte (figs. B - D)

Utilice siempre el tipo de disco adecuado para su aplicación. Utilice siempre discos con el diámetro y el tamaño de diámetro interno adecuados (consulte la ficha técnica).

### Montaje

- ◆ Monte el protector como se describe anteriormente.
- ◆ Coloque la brida interior (10) en el eje (5) tal como se muestra (fig. B). Asegúrese de que la brida está colocada correctamente en las superficies planas del eje.
- ◆ Coloque el disco (11) en el eje (5) tal como se muestra (fig. B). Si el disco dispone de un centro elevado (12), asegúrese de que dicho centro está frente a la brida interior.
- ◆ Asegúrese de que el disco se coloca correctamente en la brida interior.

- ◆ Coloque la brida exterior (13) en el eje. Al colocar un disco de pulido, el centro elevado de la brida exterior debe estar situado frente al disco (A en la fig. C). Al colocar un disco de corte, el centro elevado de la brida exterior debe estar situado lejos del disco (B en la fig. C).
- ◆ Mantenga el bloqueo del eje (3) presionado y apriete la brida exterior mediante el perno de dos pasadores (14) (fig. D).

### Desmontaje

- ◆ Mantenga el bloqueo del eje (3) presionado y suelte la brida exterior (13) mediante el perno de dos pasadores (14) (fig. D).
- ◆ Extraiga la brida exterior (13) y el disco (11).

## Montaje y desmontaje de discos de lijado (figs. D y E)

Para lijar es necesaria una almohadilla protectora. La almohadilla protectora está disponible en su distribuidor de Black & Decker como accesorio.

### Montaje

- ◆ Coloque la brida interior (10) en el eje (5) tal como se muestra (fig. E). Asegúrese de que la brida está colocada correctamente en las superficies planas del eje.
- ◆ Coloque la almohadilla protectora (15) en el eje.
- ◆ Coloque el disco de lijado (16) en la almohadilla protectora.
- ◆ Coloque la brida exterior (13) en el eje con el centro elevado alejado del disco.
- ◆ Mantenga el bloqueo del eje (3) presionado y apriete la brida exterior mediante el perno de dos pasadores (14) (fig. D). Asegúrese de que la brida exterior está colocada correctamente y que el disco está sujeto firmemente.

### Desmontaje

- ◆ Mantenga el bloqueo del eje (3) presionado y suelte la brida exterior (13) mediante el perno de dos pasadores (14) (fig. D).
- ◆ Extraiga la brida exterior (13), el disco de lijado (16) y la almohadilla protectora (15).

## Uso

¡Atención! Deje que la herramienta funcione a su ritmo. No la sobrecargue.

- ◆ Guíe el cable con cuidado para evitar cortarlo accidentalmente.
- ◆ Prepárese para que salte una gran cantidad de chispas cuando el disco de lijado o de corte toque la pieza de trabajo.
- ◆ Coloque siempre la herramienta de manera que el protector ofrezca una protección óptima del disco de lijado o de corte.

## Encendido y apagado

- ◆ Para encender el aparato, deslice el interruptor de encendido/apagado (1) hacia delante. Tenga en cuenta que la herramienta continuará funcionando cuando suelte el interruptor.
- ◆ Para apagar la herramienta, presione la parte posterior del interruptor de encendido/apagado.

¡Atención! No apague la herramienta mientras tiene carga.

## Consejos para un uso óptimo

- ◆ Sujete la herramienta con firmeza con una mano en la empuñadura lateral y con la otra mano en la empuñadura principal.
- ◆ Cuando esté lijando, mantenga siempre un ángulo de aprox. 15° entre el disco y la superficie de la pieza de trabajo.

## Mantenimiento

Este aparato o herramienta con o sin cable de Black & Decker se ha diseñado para que funcione durante un largo período de tiempo con un mantenimiento mínimo. El funcionamiento satisfactorio continuado depende de un cuidado apropiado y una limpieza periódica de la herramienta.

¡Atención! Antes de realizar el mantenimiento de herramientas eléctricas con o sin cables:

- ◆ Apague y desenchufe el aparato o herramienta.
- ◆ O bien, apague y extraiga las pilas o la batería del aparato o herramienta, en caso de que disponga de una batería separada.
- ◆ O bien, deje que la batería se agote por completo si es integral y, a continuación, apague el aparato.
- ◆ Desenchufe el cargador antes de limpiarlo. El cargador no requiere ningún mantenimiento especial excepto la limpieza.
- ◆ Limpie periódicamente las ranuras de ventilación de la herramienta, aparato o cargador con un cepillo suave o un paño seco.
- ◆ Limpie periódicamente la carcasa del motor con un paño húmedo. No utilice limpiadores de base abrasiva o disolventes.
- ◆ Abra regularmente el portabrocas y golpéelo suavemente para eliminar los restos de polvo que haya en su interior (si se encuentra colocado).

## Sustitución del enchufe de la red eléctrica (sólo para el Reino Unido e Irlanda)

Si es necesario colocar un nuevo enchufe para la red eléctrica:

- ◆ Deseche el enchufe anterior según las normas de seguridad.
- ◆ Conecte el cable marrón al terminal conductor del nuevo enchufe.

- ◆ Conecte el cable azul al terminal neutro.

¡Atención! No se debe realizar ninguna conexión al terminal de conexión a tierra. Siga las instrucciones de montaje que se suministran con los enchufes de buena calidad. Fusible recomendado: 13 A.

## Protección del medio ambiente



Recogida selectiva. No se debe desechar este producto con el resto de residuos domésticos.

Si llegase el momento en que fuese necesario sustituir su producto Black & Decker o si este dejase de tener utilidad para usted, no lo deseche junto con los residuos domésticos. Sepárelo para su recogida selectiva.



La recogida selectiva de productos y embalajes usados permite el reciclaje de materiales y su reutilización. La reutilización de materiales reciclados contribuye a evitar la contaminación medioambiental y reduce la demanda de materias primas.

Las normativas municipales deben ofrecer la recogida selectiva de productos eléctricos del hogar, en puntos municipales previstos para tal fin o a través del distribuidor cuando adquiera un nuevo producto.

Black & Decker proporciona facilidades para la recogida y reciclado de los productos Black & Decker que han llegado al final de su vida útil. Para poder utilizar este servicio, le rogamos que entregue el producto a cualquier agente de servicio técnico autorizado para que se haga cargo de él en nuestro nombre.

Para consultar la dirección del agente de servicio técnico más cercano, póngase en contacto con la oficina local de Black & Decker en la dirección que se indica en este manual. Como alternativa, puede consultar la lista de servicios técnicos autorizados de Black & Decker y obtener la información completa de nuestros servicios de posventa y contactos en la siguiente dirección de Internet: [www.2helpU.com](http://www.2helpU.com)

## Ficha técnica

		KG701 (Type 1)	KG901 (Type 1)	KG902 (Type 1)
Voltaje de entrada	V <sub>ac</sub>	230	230	230
Potencia de entrada	W	710	900	900
Velocidad sin carga	min <sup>-1</sup>	10,500	11,000	11,000
Diámetro del disco	mm	115	115	125
Diámetro interno del disco	mm	22	22	22
Grosor máximo del disco				
discos de lijado	mm	6	6	6
discos de corte	mm	3.5	3.5	3.5
Tamaño del eje		M14	M14	M14
Peso	kg	2.1	2.1	2.1

presión acústica (L <sub>pA</sub> ) 92.6 dB (A), incertidumbre (K) 3 dB (A)
L <sub>WA</sub> (potencia acústica) 103.6 dB(A), incertidumbre (K) 3 dB (A)
Valores totales de vibración (suma vectorial triaxial) de acuerdo con la directiva EN 60745:
Superficie de lijado (a <sub>h,SG</sub> ) 9.9 m/s <sup>2</sup> , incertidumbre (K) 1.5 m/s <sup>2</sup>
Corte (a <sub>h</sub> ) 6.2 m/s <sup>2</sup> , incertidumbre (K) 1.5 m/s <sup>2</sup>
Pulido (a <sub>h,p</sub> ) 4.5 m/s <sup>2</sup> , incertidumbre (K) 1.5 m/s <sup>2</sup>
Disco de lijado (a <sub>h,DS</sub> ) 9.6 m/s <sup>2</sup> , incertidumbre (K) 1.5 m/s <sup>2</sup>
Cepillo eléctrico (a <sub>h</sub> ) 10.2 m/s <sup>2</sup> , incertidumbre (K) 1.5 m/s <sup>2</sup>

**Declaración de conformidad de la CE**  
 DIRECTIVA DE MAQUINARIAS


KG701 / KG901 / KG902

Black & Decker declara que los productos descritos en la "ficha técnica" cumplen con las siguientes normas:  
2006/42/CE, EN 60745-1, EN 60745-2-3

Estos productos también cumplen con las Directivas  
2004/108/CE y 2011/65/UE.

Si desea obtener más información, póngase en contacto con Black & Decker a través de la siguiente dirección o consulte la contracubierta del manual.

La persona que firma a continuación es responsable de la elaboración del archivo técnico y realiza esta declaración en nombre de Black & Decker.

Kevin Hewitt  
Vicepresidente de Ingeniería global  
Black & Decker Europa, 210 Bath Road, Slough,  
Berkshire, SL1 3YD, Reino Unido  
30/03/2012

## Garantía

Black & Decker confía plenamente en la calidad de sus productos y ofrece una garantía extraordinaria. Esta declaración de garantía es un añadido, y en ningún caso un perjuicio para sus derechos legales. La garantía es válida dentro de los territorios de los Estados miembros de la Unión Europea y de los de la Zona Europea de Libre Comercio.

Si un producto Black & Decker resultara defectuoso debido a materiales o mano de obra defectuosos o a la falta de conformidad, Black & Decker garantiza, dentro de los 24 meses de la fecha de compra, la sustitución de las piezas defectuosas, la reparación de los productos sujetos a un desgaste y rotura razonables o la sustitución de tales productos para garantizar al cliente el mínimo de inconvenientes, a menos que:

- ◆ El producto se ha utilizado con propósitos comerciales, profesionales o de alquiler.
- ◆ El producto se ha sometido a un uso inadecuado o negligente.
- ◆ El producto ha sufrido daños causados por objetos o sustancias extrañas o accidentes.
- ◆ Se hayan realizado reparaciones por parte de personas que no sean del servicio técnico autorizado o personal de servicios de Black & Decker.

Para reclamar en garantía, será necesario que presente la prueba de compra al vendedor o al agente de servicio técnico autorizado. Para consultar la dirección del agente de servicio técnico más cercano póngase en contacto con la oficina local de Black & Decker en la dirección que se indica en este manual. Como alternativa, puede consultar la lista de servicios técnicos autorizados de Black & Decker y obtener la información completa de nuestros servicios de posventa y contactos en la siguiente dirección de Internet: [www.2helpU.com](http://www.2helpU.com)

Visite el sitio web [www.blackanddecker.es](http://www.blackanddecker.es) para registrar su nuevo producto Black & Decker y estar al día sobre productos y ofertas especiales. Encontrará información adicional sobre la marca Black & Decker y nuestra gama de productos en [www.blackanddecker.es](http://www.blackanddecker.es).

## Utilização prevista

A sua rebabadora Black & Decker foi concebida para esmerilar e cortar metal e pedra utilizando o tipo apropriado de disco de corte ou esmeril. Quando equipada com uma protecção adequada, esta ferramenta destina-se apenas a utilização doméstica.

## Instruções de segurança

### Avisos de segurança gerais para ferramentas eléctricas



**Atenção! Leia com atenção todos os avisos de segurança e instruções.** O não cumprimento dos seguintes avisos e instruções pode resultar em choque eléctrico, incêndio e/ou graves lesões.

**Guarde todos os avisos e instruções para futura referência.** A expressão "ferramenta eléctrica" utilizada a seguir refere-se a ferramentas eléctricas com ligação à corrente eléctrica (com cabo) ou com bateria (sem fios).

#### 1. Segurança na área de trabalho

- Mantenha a área de trabalho limpa e bem iluminada. Áreas desarrumadas ou mal iluminadas são propícias a acidentes.
- Não trabalhe com ferramentas eléctricas em áreas com **risco de explosão, nas quais se encontrem líquidos, gases ou poeiras inflamáveis.** As ferramentas eléctricas produzem faíscas que podem provocar a ignição de poeiras ou vapores.
- Mantenha crianças e outras pessoas afastadas durante a utilização da ferramenta eléctrica.** As distrações podem dar origem a que perca o controlo da ferramenta.

#### 2. Segurança eléctrica

- A ficha da ferramenta eléctrica deve caber na tomada. A ficha não deve ser modificada de modo algum. Não utilize quaisquer fichas adaptadoras em ferramentas eléctricas com ligação à terra.** Fichas sem modificações e tomadas adequadas reduzem o risco de choques eléctricos.
- Evite que o corpo entre em contacto com superfícies ligadas à terra, como tubos, radiadores, fogões e frigoríficos.** Existe um maior risco de choque eléctrico se o seu corpo estiver ligado à terra.
- As ferramentas eléctricas não podem ser expostas a chuva nem humidade. A penetração de água na ferramenta eléctrica aumenta o risco de choques eléctricos.

- Manuseie o cabo com cuidado. O cabo não deve ser utilizado para transportar ou pendurar a ferramenta, **nem para puxar a ficha da tomada. Mantenha o cabo afastado de calor, óleo, pontas afiadas ou partes móveis.** Cabos danificados ou torcidos aumentam o risco de choques eléctricos.
- Quando trabalhar com uma ferramenta eléctrica ao ar livre, utilize um cabo de extensão apropriado para **esse fim.** A utilização de um cabo apropriado para áreas ao ar livre reduz o risco de choques eléctricos.
- Se for inevitável trabalhar com uma ferramenta eléctrica num local húmido, utilize um Dispositivo de Corrente Residual (RCD). A utilização de um RCD reduz o risco de choque eléctrico.

#### 3. Segurança pessoal

- Mantenha-se atento, observe o que está a fazer e seja prudente ao trabalhar com a ferramenta eléctrica.** Não utilize uma ferramenta eléctrica se estiver cansado ou **sob a influência de drogas, álcool ou medicamentos.** Um momento de falta de atenção durante a utilização de ferramentas eléctricas poderá causar graves lesões.
- Utilize equipamento de protecção pessoal. Use sempre óculos de protecção.** Equipamento de protecção como, por exemplo, máscara anti-poeiras, sapatos de segurança anti-derrapantes, capacete de segurança ou protecção auricular, de acordo com o tipo e a aplicação de ferramenta eléctrica, reduz o risco de lesões.
- Evite arranques involuntários. Certifique-se de que o botão está desligado antes de ligar a ferramenta à corrente eléctrica e/ou à bateria, e antes de pegar ou transportar a ferramenta.** Transportar ferramentas eléctricas com o dedo no botão ou ligar ferramentas eléctricas à tomada com o interruptor na posição de ligado pode dar origem a acidentes.
- Retire eventuais chaves de ajuste ou chaves de fenda antes de ligar a ferramenta eléctrica. Uma chave de fenda ou chave de ajuste que se encontre numa peça em rotação da ferramenta eléctrica poderá causar lesões.
- Não se incline. Mantenha-se sempre bem posicionado **e em equilíbrio.** Desta forma, será mais fácil controlar a ferramenta eléctrica em situações inesperadas.
- Utilize vestuário adequado. Não utilize roupas largas nem jóias.** Mantenha o cabelo, roupa e luvas **afastados de peças em movimento.** Roupas largas, jóias ou cabelos longos podem ficar presos nas peças em movimento.
- Se for prevista a montagem de dispositivos de **extracção e recolha de pó, assegure-se de que estão ligados e que são utilizados de forma correcta.** A recolha das poeiras pode reduzir os riscos provocados por poeiras.

#### 4. Utilização e manutenção da ferramenta eléctrica

- a. Não sobrecarregue a ferramenta eléctrica. Utilize a **ferramenta eléctrica adequada para o trabalho pretendido**. A ferramenta eléctrica correcta realizará o trabalho de forma melhor e mais segura, com a potência com que foi concebida.
- b. Não utilize a ferramenta eléctrica se o interruptor não puder ser ligado nem desligado. Qualquer ferramenta eléctrica que não possa ser controlada com o interruptor é perigosa e terá de ser reparada.
- c. **Desligue a ficha da tomada e/ou a bateria da tomada** antes de proceder a ajustes, trocar acessórios ou guardar ferramentas eléctricas. Estas medidas de prevenção de segurança reduzem o risco de ligação inadvertida da ferramenta eléctrica.
- d. **Mantenha as ferramentas eléctricas que não estiverem a ser utilizadas fora do alcance de crianças. Não permita que a ferramenta eléctrica seja utilizada por pessoas não familiarizadas com a mesma ou que não tenham lido estas instruções.** As ferramentas eléctricas são perigosas se utilizadas por pessoas não qualificadas.
- e. **Efectue a manutenção das ferramentas eléctricas. Verifique se as partes móveis estão desalinhasadas ou bloqueadas, se existem peças partidas ou qualquer outra situação que possa afectar o funcionamento das ferramentas eléctricas. As peças danificadas devem ser reparadas antes da utilização da ferramenta eléctrica.** Muitos acidentes têm como causa uma manutenção insuficiente das ferramentas eléctricas.
- f. **Mantenha as ferramentas de corte sempre afiadas e limpas.** As ferramentas de corte com a manutenção adequada e as extremidades afiadas bloqueiam com menos frequência e são mais fáceis de controlar.
- g. **Utilize a ferramenta eléctrica, acessórios e peças de ferramenta de acordo com estas instruções, considerando as condições de trabalho e a tarefa a ser executada.** A utilização da ferramenta eléctrica para fins diferentes dos previstos pode resultar em situações perigosas.

#### 5. Reparação

- a. A sua ferramenta eléctrica só deve ser reparada por **pessoal qualificado e só devem ser colocadas peças sobressalentes originais**. Isso garante a manutenção da segurança da ferramenta eléctrica.

- ◆ Esta ferramenta eléctrica destina-se a ser utilizada como ferramenta esmeriladora, lixadora, de escovagem, polimento ou corte. Leia todos os avisos de **segurança, instruções, ilustrações e especificações** fornecidos com esta ferramenta eléctrica. O não cumprimento das seguintes instruções poderá originar choques eléctricos, incêndios e/ou lesões graves.
- ◆ **As operações para as quais a ferramenta eléctrica não foi concebida poderão originar situações perigosas e provocar lesões.**
- ◆ **Não utilize acessórios que não tenham sido especificamente concebidos ou recomendados pelo fabricante da ferramenta.** O facto de ser possível fixar o acessório à ferramenta eléctrica não garante uma utilização segura.
- ◆ A velocidade aprovada para o acessório tem de ser pelo menos igual à velocidade máxima marcada na ferramenta eléctrica. A utilização de acessórios a uma velocidade superior à velocidade aprovada poderá originar rupturas ou projecções dos mesmos.
- ◆ A espessura e diâmetro externo do acessório têm de respeitar a capacidade aprovada para a ferramenta eléctrica. Não é possível proteger e controlar acessórios com dimensões incorrectas.
- ◆ **Os orifícios das rodas, flanges, blocos de protecção ou outros acessórios têm de ter dimensões que lhes permitam encaixar correctamente no eixo da ferramenta eléctrica.** Os acessórios com orifícios de encaixe que não correspondam ao mecanismo de montagem da ferramenta eléctrica funcionarão de forma desequilibrada, vibrando excessivamente e podendo provocar perdas de controlo.
- ◆ **Não utilize acessórios danificados. Antes de cada utilização, inspecione o acessório: por exemplo, procure aparas ou rachas nas rodas abrasivas, desgaste excessivo ou rachas nos blocos de protecção e fios soltos ou partidos nas escovas de arames.** Se deixar cair a ferramenta eléctrica ou um acessório, verifique se existem danos ou instale um novo acessório. **Após a inspecção e instalação de um acessório, faça funcionar a ferramenta eléctrica sem carga, à velocidade máxima, durante um minuto.** Normalmente, os acessórios danificados partir-se-ão durante este período de teste.

#### Avisos de segurança adicionais para ferramentas eléctricas



**Atenção!** Avisos de segurança adicionais para operações de esmerilação, lixa, escovagem, polimento ou corte abrasivo



- ◆ **Utilize equipamento de protecção pessoal. Conforme a utilização, use uma protecção para a cara, uma viseira de protecção ou óculos de segurança. Utilize uma máscara anti-poeiras, protecções auriculares, luvas ou um avental de oficina, conforme adequado, para se proteger de pequenos fragmentos abrasivos ou bocados da peça.** Os óculos de protecção terão de parar os detritos em movimento gerados por diversas operações. A máscara anti-poeiras ou respirador terão de filtrar as partículas geradas pelo funcionamento. A exposição prolongada a ruídos de alta intensidade poderá provocar perdas auditivas.
- ◆ **Mantenha todas as pessoas presentes a uma distância segura da área de trabalho. Qualquer pessoa que entre na área de trabalho terá de utilizar equipamento de protecção pessoal.** Os fragmentos de peças ou de acessórios danificados poderão ser projectados e provocar ferimentos, mesmo fora da área imediata de funcionamento.
- ◆ **Segure sempre a ferramenta eléctrica pelas áreas isoladas quando executar uma operação em que o acessório de corte possa entrar em contacto com a cablagem oculta ou com o seu próprio cabo.** Se um acessório de corte entrar em contacto com um cabo "electrificado" poderá expor peças metálicas do sistema eléctrico da ferramenta, provocando choques ao operador.
- ◆ **Posicione o cabo longe do acessório rotativo.** Se perder o controlo, o cabo poderá ser cortado ou bloqueado, puxando a sua mão ou braço para dentro do acessório rotativo.
- ◆ **Nunca pouse a ferramenta eléctrica antes de o acessório parar completamente.** O acessório rotativo poderá tocar na superfície e retirar-lhe o controlo da ferramenta eléctrica.
- ◆ **Nunca utilize a ferramenta eléctrica enquanto a carga ao seu lado.** O contacto acidental com o acessório rotativo poderá puxar a sua roupa, empurrando o acessório contra o seu corpo.
- ◆ **Limpe regularmente as condutas de ventilação da ferramenta eléctrica.** A ventoinha do motor puxará a poeira para dentro do compartimento. Uma acumulação excessiva de pó metálico poderá provocar acidentes eléctricos.
- ◆ **Não utilize a ferramenta eléctrica junto a materiais inflamáveis.** As faíscas poderão inflamar esses materiais.
- ◆ **Não utilize acessórios que exijam líquidos de refrigeração.** A utilização de água ou outros líquidos de refrigeração poderá originar choques ou electrocussões.

Nota: O aviso anterior não é aplicável a ferramentas eléctricas especificamente concebidas para utilização com um sistema líquido.

## Contra-golpes e avisos relacionados

Um contra-golpe é uma reacção súbita a uma peça rotativa, bloco de protecção, escova ou outro acessório preso ou bloqueado. Se um acessório rotativo ficar preso ou bloqueado provocará rapidamente o seu encravamento, o que por sua vez originará a projecção da ferramenta eléctrica descontrolada na direcção oposta à rotação do acessório no ponto de bloqueio.

Por exemplo, se uma roda abrasiva ficar bloqueada ou presa na peça, a extremidade da roda que está a entrar no ponto de bloqueio poderá perfurar a superfície do material, elevando a roda ou fazendo com que salte. A roda poderá saltar na direcção do operador ou na direcção oposta, conforme a direcção do movimento da roda no ponto de bloqueio. Nestas condições, as rodas abrasivas também poderão partir-se.

Um contra-golpe é o resultado de uma utilização errada da ferramenta eléctrica e/ou de procedimentos ou condições de utilização incorrectos, podendo ser evitado com medidas de precaução apropriadas, conforme descrito em seguida.

- ◆ **Segure a ferramenta eléctrica com firmeza e posicione o corpo e o braço de modo a oferecer resistência às forças de um contra-golpe. Utilize sempre o punho auxiliar, se fornecido, para maximizar o controlo do contra-golpe ou da reacção ao binário durante o arranque.** Se tomar medidas de precaução apropriadas, o operador poderá controlar as forças de contra-golpe ou as reacções ao binário.
- ◆ **Nunca coloque a mão perto do acessório rotativo.** O contra-golpe do acessório poderá atingi-la.
- ◆ **Não coloque o seu corpo na área para onde a ferramenta eléctrica será deslocada se ocorrer um contra-golpe.** O contra-golpe impulsionará a ferramenta na direcção oposta ao movimento da roda no ponto de bloqueio.
- ◆ **Tenha especial cuidado ao trabalhar com cantos, extremidades afiadas, etc. Evite saltos ou bloqueios do acessório.** Os cantos ou extremidades afiadas têm tendência para saltar ou bloquear o acessório rotativo, provocando a perda de controlo ou contra-golpes.
- ◆ **Não fixe uma lâmina de corte de madeira de serra eléctrica nem uma lâmina de serra dentada.** Esse tipo de lâminas origina com frequência contra-golpes e perdas de controlo.

### Avisos de segurança específicos de operações de esmerilação e corte abrasivo

- ◆ Utilize apenas os tipos de roda recomendados para a sua ferramenta eléctrica e a protecção específica concebida para a roda seleccionada. As rodas para as quais a ferramenta eléctrica não tenha sido concebida não podem ser adequadamente protegidas, não sendo por isso seguras.
- ◆ A protecção tem de ser fixada com segurança à ferramenta eléctrica e posicionada de forma a maximizar a segurança, para que a menor porção possível da roda fique exposta ao operador. A protecção ajuda a proteger o operador de fragmentos da roda partidos ou do contacto accidental com a mesma.
- ◆ As rodas só devem ser utilizadas para as aplicações recomendadas. Por exemplo: não esmerile com a parte lateral da roda de corte. As rodas de corte abrasivo destinam-se a esmerilação periférica; a aplicação de forças laterais a estas rodas poderá fazer com que se estilizem.
- ◆ Utilize sempre flanges de roda não danificadas, com a forma e dimensão correctas para a roda seleccionada. As flanges de roda adequadas suportam a roda, reduzindo a possibilidade de quebras da roda. As flanges para rodas de corte poderão ser diferentes das flanges de rodas de esmerilação.
- ◆ Não utilize rodas desgastadas de ferramentas eléctricas maiores. As rodas destinadas a ferramentas eléctricas maiores não são adequadas para a velocidade superior de uma ferramenta mais pequena, podendo rebentar.

### Avisos de segurança adicionais específicos de operações de corte abrasivo

- ◆ Não "encrave" a roda de corte nem aplique pressão excessiva sobre a mesma. Não tente forçar uma profundidade de corte excessiva. O excesso de pressão sobre a roda aumenta a carga sobre a mesma, bem como a susceptibilidade a torções ou bloqueios durante o corte e a possibilidade de contra-golpes ou quebras da roda.
- ◆ Não alinhe o seu corpo com a roda em rotação nem se posicione por trás da mesma. Quando a roda, no ponto de operação, estiver a afastar-se do seu corpo, o possível contra-golpe poderá impulsionar a roda em rotação e a ferramenta eléctrica directamente na sua direcção.
- ◆ Quando a roda se encontrar bloqueada ou aquando de uma interrupção do corte, por qualquer motivo, desligue a ferramenta eléctrica e segure-a imóvel até que a roda pare completamente. Nunca tente remover a roda do corte com a roda em movimento. Caso contrário, poderá ocorrer um contra-golpe. Averigüe e tome as medidas necessárias para eliminar a causa do bloqueio da roda.

- ◆ Não reinicie a operação de corte da peça. Deixe a roda atingir a velocidade máxima e reintroduza-a cuidadosamente no corte. Se a ferramenta eléctrica for ligada na peça a roda poderá ficar bloqueada, elevar-se ou poderá ocorrer um contra-golpe.
- ◆ Apoie os painéis ou peças sobredimensionadas para minimizar o risco de prender a roda ou originar um contra-golpe. As peças grandes tendem a ceder sob o seu próprio peso. Os apoios devem ser colocados sob a peça, junto à linha de corte e à extremidade da peça, em ambos os lados da roda.
- ◆ Tenha especial cuidado quando efectuar um "corte pequeno" em paredes existentes ou outras áreas ocultas. A roda saliente poderá cortar as canalizações do gás ou da água, cabos eléctricos ou objectos que possam provocar um contra-golpe.

### Avisos de segurança específicos de operações de lixa

- ◆ Não utilize discos de lixa excessivamente grandes. Ao seleccionar as lixas, siga as recomendações dos fabricantes. As lixas de maiores dimensões, prolongando-se para fora do apoio da lixa, implicam riscos de laceração, podendo bloquear ou rasgar o disco ou provocar contra-golpes.

### Avisos de segurança específicos de operações de polimento

- ◆ Não permita que nenhuma parte solta da cobertura de polimento ou os respectivos cabos de fixação girem livremente. Arrume ou apare os cabos de fixação soltos. Os cabos de fixação soltos e em rotação podem enlear-se nos seus dedos ou bloquear a peça.

### Avisos de segurança específicos de operações de escovagem

- ◆ Tenha em atenção que a escova projecta fios de arame mesmo durante o funcionamento normal. Não force os fios, aplicando uma carga excessiva sobre a escova. Os fios de arame podem facilmente penetrar em roupas ligeiras e/ou na pele.
- ◆ Se a utilização de uma protecção for recomendada para as operações de escovagem, não permita qualquer tipo de interferência da roda de arame ou da escova com a protecção. O diâmetro da roda de arame ou da escova poderá aumentar devido à carga de trabalho e às forças centrífugas.

## Segurança de terceiros

- ◆ Este aparelho não deve ser utilizado por pessoas (incluindo crianças) que apresentem capacidades físicas, sensoriais ou mentais reduzidas ou que não possuam os conhecimentos e a experiência necessários, excepto se forem vigiadas e instruídas acerca da utilização do aparelho por uma pessoa responsável pela sua segurança.
- ◆ As crianças deverão ser vigiadas para que não mexam no aparelho.

## Riscos residuais.

Podem surgir riscos residuais adicionais durante a utilização da ferramenta que poderão não constar nos avisos de segurança incluídos. Estes riscos podem resultar de má utilização, uso prolongado, etc.

Mesmo com a aplicação dos regulamentos de segurança relevantes e com a implementação de dispositivos de segurança, alguns riscos residuais não podem ser evitados. Incluem:

- ◆ **ferimentos causados pelo contacto com peças em rotação/movimento.**
- ◆ **ferimentos causados durante a troca de peças, lâminas ou acessórios.**
- ◆ **ferimentos causados pela utilização prolongada de uma ferramenta.** Quando utilizar uma ferramenta por períodos prolongados, faça intervalos regulares.
- ◆ **diminuição da audição.**
- ◆ **Os problemas de saúde causados pela inalação de poeiras resultantes da utilização da ferramenta (exemplo: trabalhos em madeira, especialmente carvalho, faia e MDF).**

## Vibração

Os valores de emissão de vibração declarados na secção de dados técnicos e na declaração de conformidade foram medidos de acordo com o método de teste padrão fornecido pela norma EN 60745 e podem ser utilizados para comparar ferramentas. O valor de emissão de vibração declarado pode ainda ser utilizado numa avaliação preliminar de exposição.

**Atenção!** O valor de emissão de vibração durante a utilização real da ferramenta eléctrica pode ser diferente do valor declarado, dependendo da forma como a ferramenta é utilizada. O nível de vibração pode aumentar acima do nível indicado.

Quando avaliar a exposição da vibração para determinar as medidas de segurança exigidas pela norma 2002/44/CE para proteger pessoas que utilizem regularmente ferramentas eléctricas na sua actividade profissional, deve ser considerada uma estimativa de exposição de vibração, as actuais condições de utilização e o modo de utilização da ferramenta, incluindo ainda todas as partes do ciclo de funcionamento, como os períodos de inactividade e espera da ferramenta, para além do tempo de funcionamento.

## Rótulos na ferramenta

A ferramenta apresenta os seguintes pictogramas:



**Atenção!** Para reduzir o risco de ferimentos, o utilizador deve ler o manual de instruções.



Utilize óculos ou viseiras de protecção quando utilizar esta ferramenta.



Utilize protectores auditivos quando utilizar a ferramenta.

## Segurança eléctrica



Esta ferramenta tem um isolamento duplo e, por isso, não é necessário um fio de terra. Verifique sempre se a fonte de alimentação corresponde à tensão indicada na placa de especificações.

- ◆ Se o cabo de alimentação estiver danificado, terá de ser substituído pelo fabricante ou por um centro de assistência autorizado Black & Decker para evitar acidentes.

## Características

Esta ferramenta inclui algumas ou todas as seguintes características.

1. Interruptor para ligar/desligar
2. Cabo lateral
3. Bloqueio do eixo
4. Protecção

## Montagem

**Atenção!** Antes da montagem, certifique-se de que a ferramenta está desligada e que não está ligada à corrente eléctrica.

## Colocar e remover a protecção (fig. A)

A ferramenta é fornecida com uma protecção apenas para trabalhos de esmerilhado. Se a unidade se destinar a efectuar operações de corte, terá de ser montada uma protecção específica para essas operações. Encontram-se disponíveis protecções para operações de corte sob os números de peça 1004484-06 para o modelo KG701/KG901 e 1004484-07 para o modelo KG902. Ambas podem ser obtidas nos centros de assistência da Black & Decker.

## Montagem

- ◆ Coloque a ferramenta numa mesa, com o eixo (5) virado para cima.
- ◆ Liberte o bloqueio de fixação (7) e segure na protecção (4) sobre a ferramenta, conforme mostrado.
- ◆ Alinhe os apoios (8) com os entalhes (9).

- ◆ Empurre a protecção para baixo e rode-a no sentido anti-horário até à posição exigida.
- ◆ Aperte o bloqueio de fixação (7) para prender a protecção à ferramenta.
- ◆ Se necessário, aperte o parafuso (6) para aumentar a força de fixação.

### Remoção

- ◆ Liberte o bloqueio de fixação (7).
- ◆ Rode a protecção no sentido horário para alinhar os apoios (8) com os entalhes (9).
- ◆ Remova a protecção da ferramenta.

**Atenção!** Nunca utilize a ferramenta sem a protecção.

### Montagem do punho lateral

- ◆ Aparafuse o punho lateral (2) num dos orifícios de montagem da ferramenta.

**Atenção!** Utilize sempre o punho lateral.

### Montagem e remoção de discos de esmerilação ou corte (fig. B - D)

Utilize sempre o tipo de disco correcto para a sua aplicação. Utilize sempre discos com o diâmetro e tamanho de orifício correcto (consulte os dados técnicos).

#### Montagem

- ◆ Monte a protecção conforme indicado acima.
- ◆ Coloque a flange interior (10) no eixo (5), conforme indicado (fig. B). Certifique-se de que a flange se encontra correctamente localizada nos lados planos do eixo.
- ◆ Coloque o disco (11) no eixo (5), conforme indicado (fig. B). Se o disco tiver um centro elevado (12), certifique-se de que este se encontra virado para a flange interior.
- ◆ Certifique-se de que o disco se encontra correctamente localizado na flange interior.
- ◆ Coloque a flange exterior (13) no eixo. Ao montar um disco de esmerilação, o centro elevado da flange exterior terá de se encontrar virado para o disco (A na fig. C). Ao montar um disco de corte, o centro elevado da flange exterior terá de se encontrar de costas para o disco (B na fig. C).
- ◆ Mantenha o bloqueio do eixo (3) premido e aperte a flange exterior utilizando a chave inglesa de dois pinos (14) (fig. D).

#### Remoção

- ◆ Mantenha o bloqueio do eixo (3) premido e afrouxe a flange exterior (13) utilizando a chave inglesa de dois pinos (14) (fig. D).
- ◆ Remova a flange exterior (13) e o disco (11).

### Montagem e remoção de discos de lixa (fig. D & E)

Para lixar é necessário um bloco de protecção. O bloco de protecção encontra-se disponível como acessório junto do seu revendedor Black & Decker.

#### Montagem

- ◆ Coloque a flange interior (10) no eixo (5), conforme indicado (fig. E). Certifique-se de que a flange se encontra correctamente localizada nos lados planos do eixo.
- ◆ Coloque o bloco de protecção (15) no eixo.
- ◆ Coloque o disco de lixa (16) no bloco de protecção.
- ◆ Coloque a flange exterior (13) no eixo com o centro elevado de costas para o disco.
- ◆ Mantenha o bloqueio do eixo (3) premido e aperte a flange exterior utilizando a chave inglesa de dois pinos (14) (fig. D). Certifique-se de que a flange exterior se encontra montada correctamente e de que o disco se encontra firmemente fixado.

#### Remoção

- ◆ Mantenha o bloqueio do eixo (3) premido e afrouxe a flange exterior (13) utilizando a chave inglesa de dois pinos (14) (fig. D).
- ◆ Remova a flange exterior (13), o disco de lixa (16) e o bloco de protecção (15).

### Utilização

**Atenção!** Deixe a ferramenta funcionar ao seu próprio ritmo. Não a sobrecarregue.

- ◆ Oriente o cabo com cuidado para evitar cortes acidentais.
- ◆ Prepare-se para a projecção de faíscas quando o disco de esmerilação ou corte tocar na peça.
- ◆ Posicione sempre a ferramenta de forma a otimizar a protecção contra o disco de esmerilação ou corte.

### Ligar e desligar

- ◆ Para ligar, faça deslizar para a frente o interruptor para ligar/desligar (1). Note que a ferramenta continuará a funcionar quando libertar o interruptor.
- ◆ Para desligar, pressione a parte posterior do interruptor para ligar/desligar.

**Atenção!** Não desligue a ferramenta enquanto esta estiver sob carga.

### Sugestões para uma utilização ideal

- ◆ Segure a ferramenta com firmeza com uma mão em torno do punho lateral e a outra em torno do punho principal.
- ◆ Ao esmerilar, mantenha sempre um ângulo de aproximadamente 15° entre o disco e a superfície da peça.

## Manutenção

O seu aparelho/ferramenta Black & Decker com/sem fios foi concebido para funcionar durante um longo período de tempo com uma manutenção mínima. Um funcionamento contínuo e satisfatório depende de uma manutenção adequada e da limpeza regular da ferramenta.

**Atenção!** Antes de proceder a qualquer acção de manutenção em ferramentas eléctricas com cabo/sem fios:

- ◆ Desligue o aparelho/ferramenta e retire a respectiva ficha da tomada.
- ◆ Ou desligue e remova a pilha do aparelho/ferramenta caso o aparelho/ferramenta tenha uma bateria individual.
- ◆ Ou deixe a pilha descarregar completamente se estiver incorporada e, em seguida, desligue-a.
- ◆ Desligue o carregador antes de o limpar. O seu carregador não necessita de manutenção para além da limpeza regular.
- ◆ Limpe regularmente as aberturas de ventilação do aparelho/ferramenta/carregador com uma escova suave ou um pano seco.
- ◆ Limpe regularmente o compartimento do motor com um pano húmido. Não utilize nenhum produto de limpeza abrasivo ou a base de solvente.
- ◆ Abra o mandril regularmente e bata no mesmo para remover qualquer vestígio de pó do seu interior (quando colocado).

## Substituição da ficha de alimentação (apenas Reino Unido e Irlanda)

Se for necessário encaixar uma nova ficha de alimentação:

- ◆ Elimine com segurança a ficha antiga.
- ◆ Ligue o cabo castanho ao terminal activo na nova ficha.
- ◆ Ligue o cabo azul ao terminal neutro.

**Atenção!** Não é necessário efectuar qualquer ligação ao terminal de terra. Siga as instruções de montagem fornecidas com fichas de boa qualidade. Fusível recomendado: 13 A.

## Protecção do ambiente



Recolha separada. Este produto não pode ser eliminado juntamente com os resíduos domésticos normais.

Se, em algum momento, for necessário substituir este produto Black & Decker ou se este deixar de ter utilidade, não elimine o produto num caixote do lixo. Este produto pode ser separado para reciclagem.



A recolha separada de produtos e embalagens usados permite que os materiais sejam reciclados e novamente utilizados. A reutilização de materiais reciclados ajuda a evitar a poluição ambiental e reduz a procura de matérias-primas.

A legislação local poderá prever a recolha separada de produtos domésticos eléctricos, seja em lixeiras municipais ou através do revendedor quando adquire um produto novo.

A Black & Decker dispõe de instalações para recolha e reciclagem de produtos Black & Decker quando estes atingem o fim da vida útil. Para usufruir deste serviço, devolva o produto em qualquer agente de reparação autorizado, que os recolherá em seu nome.

Pode verificar a localização do agente de reparação autorizado mais perto de si, contactando os escritórios locais da Black & Decker através do endereço indicado neste manual. Se preferir, está disponível na Internet uma lista de agentes de reparação autorizados Black & Decker, com os contactos e detalhes completos do serviço pós-venda, no endereço: [www.2helpU.com](http://www.2helpU.com)

## Dados técnicos

		KG701 (Type 1)	KG901 (Type 1)	KG902 (Type 1)
Tensão de entrada	$V_{ac}$	230	230	230
Potência utilizada	W	710	900	900
Velocidade sem carga	$\text{min}^{-1}$	10,500	11,000	11,000
Diâmetro do disco	mm	115	115	125
Orifício do disco	mm	22	22	22
Espessura máx. disco				
discos de esmerilação	mm	6	6	6
discos de corte	mm	3,5	3,5	3,5
Tamanho do eixo		M14	M14	M14
Peso	kg	2.1	2.1	2.1

$L_{pA}$ (pressão acústica) 92.6 dB(A), Imprecisão (K) 3 dB(A)
$L_{WA}$ (potência acústica) 103.6 dB(A), Imprecisão (K) 3 dB(A)
Valores totais de vibração (soma vectores triax) de acordo com EN 60745:
Esmerilação superficial ( $a_{h,SG}$ ) 9.9 m/s <sup>2</sup> , imprecisão (K) 1.5 m/s <sup>2</sup>
Corte ( $a_{h,C}$ ) 6.2 m/s <sup>2</sup> , imprecisão (K) 1.5 m/s <sup>2</sup>
Polimento ( $a_{h,P}$ ) 4.6 m/s <sup>2</sup> , imprecisão (K) 1.5 m/s <sup>2</sup>
Disco de lixa ( $a_{h,DS}$ ) 9.6 m/s <sup>2</sup> , imprecisão (K) 1.5 m/s <sup>2</sup>
Escovagem ( $a_{h,E}$ ) 10.2 m/s <sup>2</sup> , imprecisão (K) 1.5 m/s <sup>2</sup>

## Declaração de conformidade CE

DIRECTIVA MÁQUINAS



KG701 / KG901 / KG902

A Black & Decker declara que os produtos descritos em "dados técnicos" estão em conformidade com as seguintes normas:

2006/42/CE, EN 60745-1, EN 60745-2-3

Estes produtos estão também em conformidade com as Directivas 2004/108/CE e 2011/65/UE.

Para obter mais informações, contacte a Black & Decker no endereço indicado ou consulte a parte posterior do manual. O signatário é responsável pela compilação do ficheiro técnico e efectua esta declaração em nome da Black & Decker.

Kevin Hewitt  
Vice-Presidente, Engenharia Global  
Black & Decker Europe, 210 Bath Road, Slough,  
Berkshire, SL1 3YD, Reino Unido  
30/03/2012

## Garantia

A Black & Decker confia na qualidade dos seus produtos e oferece uma garantia excelente. Esta declaração de garantia é um complemento dos seus direitos estabelecidos por lei, não os prejudicando de forma alguma. A garantia é válida nos territórios dos Estados Membros da União Europeia e da Associação Europeia de Comércio Livre.

Se um produto Black & Decker avariar devido a defeitos de material, fabrico ou não conformidade, num período de 24 meses após a data da compra, a Black & Decker garante a substituição das peças defeituosas, a reparação de produtos sujeitos a um desgaste aceitável ou a substituição dos mesmos para garantir o mínimo de inconvenientes ao cliente, excepto se:

- ◆ O produto tiver sido utilizado para fins comerciais, profissionais ou de aluguer.
- ◆ O produto tiver sido submetido a utilização indevida ou descuido;
- ◆ O produto tiver sido danificado por objectos estranhos, substâncias ou acidentes;
- ◆ Tiverem sido tentadas reparações por pessoas que não sejam agentes de reparação autorizados ou técnicos de manutenção da Black & Decker.

Para accionar a garantia, terá de apresentar comprovativos de compra ao vendedor ou a um agente de reparação autorizado. Pode verificar a localização do agente de reparação autorizado mais perto de si, contactando os escritórios locais da Black & Decker através do endereço indicado neste manual. Se preferir, está disponível na Internet uma lista de agentes de reparação autorizados Black & Decker, com os contactos e detalhes completos do serviço pós-venda, no endereço: [www.2helpU.com](http://www.2helpU.com)

Visite o nosso website [www.blackanddecker.pt](http://www.blackanddecker.pt) para registar o novo produto Black & Decker e manter-se actualizado relativamente a novos produtos e ofertas especiais. Pode encontrar mais informações sobre a marca Black & Decker e sobre a nossa gama de produtos em [www.blackanddecker.pt](http://www.blackanddecker.pt)

## Användningsområde

Denna vinkelslip från Black & Decker är avsedd för att slipa och skära i metall och murverk med lämpliga kap- eller slipskivor. När verktyget är utrustat med lämpligt skydd är det enbart avsett att användas som konsumentverktyg.

## Säkerhetsanvisningar

### Allmänna säkerhetsanvisningar för elverktyg



**Varning!** Läs alla säkerhetsföreskrifter och anvisningar. Fel som uppstår till följd av att säkerhetsföreskrifterna och anvisningarna nedan inte följts kan orsaka elstötar, brand och/eller allvarliga kroppsskador.

Spara alla säkerhetsföreskrifter och anvisningar för framtida bruk. Begreppet "elverktyg" nedan syftar på nätdrivna elverktyg (med nätsladd) och batteridrivna elverktyg (sladdlösa).

1. Säkerhet i arbetsområdet
  - a. Håll arbetsplatsen ren och väl upplyst. Oreda eller dålig belysning på arbetsplatsen kan leda till olyckor.
  - b. För att undvika explosionsrisk bör du inte använda elverktyget i omgivningar med brännbara vätskor, gaser eller damm. Elverktyg alstrar gnistor som kan antända dammet eller gaserna.
  - c. Håll barn och andra personer på betryggande avstånd när du använder elverktyg. Om du blir distraherad kan du förlora kontrollen.
2. Elsäkerhet
  - a. Elverktygets stickkontakt måste passa i eluttaget. Stickkontakten får absolut inte ändras. Använd inte adapterkontakter tillsammans med jordade elverktyg. Med oförändrade stickkontakter och passande vägguttag minskas risken för elstötar.
  - b. Undvik kroppskontakt med jordade ytor som t.ex. rör, värmeelement, spisar och kylskåp. Risken för elektriska stötar ökar om din kropp är jordad.
  - c. Skydda elverktyget mot regn och väta. Om vatten tränger in i ett elverktyg ökar risken för elektriska stötar.
  - d. Hantera inte nätsladden ovarsamt. Använd inte sladden för att bära eller dra elverktyget och inte heller för att dra ut kontakten ur vägguttaget. Håll nätsladden borta från värme, olja, skarpa kanter och rörliga maskindelar. Risken att du får en elstöt är större om sladdarna är skadade eller tillrasslade.
3. Personlig säkerhet
  - a. Var uppmärksam, se på vad du gör och använd elverktyget med förnuft. Använd inte elverktyget när du är trött eller om du är påverkad av droger, alkohol eller mediciner. Vid användning av elverktyg kan även en kort tids uppmärksamhet leda till allvarliga kroppsskador.
  - b. Använd skyddsutrustning. Bär alltid skyddsglasögon. Den personliga skyddsutrustningen, t.ex. dammfiltermask, halkfria säkerhetsskor, hjälm och hörselskydd, minskar risken för kroppsskada när den används vid rätt tillfällen.
  - c. Undvik oavsiktlig igångsättning. Kontrollera att strömbrytaren står i avstängt läge innan du ansluter verktyget till elnätet eller sätter i batteriet, samt innan du tar upp eller bär verktyget. Det kan vara mycket farligt att bära ett elverktyg med fingret på strömbrytaren eller koppla det till nätet respektive sätta i batteriet med strömbrytaren i till-läge.
  - d. Ta bort alla inställningsverktyg och skruvnycklar innan du startar elverktyget. Ett verktyg eller en nyckel i en roterande komponent kan orsaka kroppsskada.
  - e. Sträck dig inte för långt. Se till att du alltid har säkert fötaste och balans. Därmed har du bättre kontroll över elverktyget i oväntade situationer.
  - f. Bär lämpliga kläder. Bär inte löst hängande kläder eller smycken. Håll undan hår, kläder och handskar från rörliga delar. Löst hängande kläder, smycken och långt hår kan fastna i roterande delar.
  - g. Om elverktyget har utrustning för dammsugning och -uppsamling ska du kontrollera att utrustningen är rätt monterad och används på korrekt sätt. Utrustningen kan minska riskerna när damm bildas.
4. Bruk och skötsel av elverktyg
  - a. Överbelasta inte elverktyget. Använd rätt elverktyg för det aktuella arbetet. Med rätt elverktyg kan du arbeta bättre och säkrare med det som verktyget är avsett för.
  - b. Använd inte elverktyget om det inte går att starta och stänga av det med strömbrytaren. Ett elverktyg som inte kan startas och stängas av med strömbrytaren är farligt och måste repareras.
  - c. Dra ut stickproppen ur vägguttaget och/eller ta ut batteriet ur elverktyget innan inställningar utförs, tillbehör byts eller elverktyget ställs undan. Denna säkerhetsåtgärd förhindrar oavsiktlig start av elverktyget.
- e. Använd endast förlängningssladdar som är godkända för utomhusbruk när du arbetar med elverktyg utomhus. Om du använder en förlängningssladd som är avsedd för utomhusbruk minskar risken för att du ska få en elstöt.
- f. Om du måste använda ett elverktyg på en fuktig plats ska du använda jordfelsbrytare. Jordfelsbrytaren minskar risken för stötar.

- d. Förvara elverktyg utom räckhåll för barn. Låt inte elverktyget användas av personer som inte är vana vid det, eller som inte läst denna bruksanvisning. Elverktyg är farliga om de används av ovana personer.
  - e. Sköt elverktyget omsorgsfullt. Kontrollera att rörliga komponenter fungerar felfritt och inte kärvar, att komponenter inte gått sönder eller skadats och inget annat föreligger som kan påverka elverktygets funktion. Om elverktyget är skadat ska du se till att få det reparerat innan det används. Många olyckor orsakas av dåligt skötta elverktyg.
  - f. Håll skärverktyg vassa och rena. Omsorgsfullt skötta skärverktyg med skarpa eggar fastnar inte så lätt och är lättare att hantera.
  - g. Använd elverktyget, tillbehör, insatsverktyg osv. enligt dessa anvisningar och på sätt som föreskrivits för aktuell verktygsmodell. Ta hänsyn till arbetsvillkoren och arbetsmomenten. Om elverktyget används på icke ändamålsenligt sätt kan farliga situationer uppstå.
5. Service
- a. Elverktyget ska bara repareras av utbildade reparatörer och med originalreservdelar. Detta säkerställer att elverktyget förblir säkert.

### Ytterligare säkerhetsanvisningar för elverktyg



**Varning!** Ytterligare säkerhetsanvisningar för slipning, stålborstning, polering samt slipande kapning

- ◆ Detta elverktyg är avsett för slipning, stålborstning, polering och kapning. Studera alla säkerhetsanvisningar, anvisningar, illustrationer och specifikationer som levereras tillsammans med detta elverktyg. Om anvisningarna nedan inte följts kan detta orsaka elstötar, brand och/eller allvariga kroppsskador.
- ◆ Om elverktyget används till andra ändamål än de som avsetts kan detta leda till farliga situationer och orsaka kroppsskador.
- ◆ Använd inte andra tillbehör än sådana som är särskilt framtagna och rekommenderade av tillverkaren. Även om ett tillbehör kan monteras på elverktyget garanterar inte detta säker drift.
- ◆ Tillbehörets märkvarvtal ska vara lika med eller överstiga det maximala varvtalet som anges på elverktyget. Tillbehör som körs snabbare dess märkvarvtal kan gå sönder och lossna.
- ◆ Tillbehörets yttre diameter och tjocklek får inte avvika från elverktygets kapacitetsklassning. Tillbehör vars storlek avviker från rekommendationerna kan inte skyddas eller kontrolleras på tillfredsställande vis.
- ◆ **Axelhåll på skivor, flänsar, underlagsplattor eller andra tillbehör måste passa elverktygets spindel exakt.** Tillbehör med axelhåll som inte passar ihop med elverktyget kommer att rotera osymmetriskt, vibrera häftigt och kan göra elverktyget svårhanterligt.
- ◆ Använd inte ett skadat tillbehör. Innan användning ska du inspektera tillbehöret och leta efter t.ex. flisor och sprickor på slipskivor, sprickor och slitage på underlagsplattor, slitage och lösa eller trasiga borst på stålborstar. Om du exempelvis råkar tappa tillbehöret på golvet ska du undersöka tillbehöret så att det inte skadats eller montera ett nytt tillbehör. När du har inspekterat och monterat ett tillbehör ska du köra elverktyget på maximal tomgångshastighet under en minut. Skadade tillbehör går ofta sönder under testtiden.
- ◆ Använd skyddsutrustning. Använd ansiktsmask, skyddsglasögon eller säkerhetsglasögon beroende på användningsområde. Använd dammskyddsmask, hörselskydd, handskar och ett arbetsförkläde som hindrar slipdamm och fragment från arbetsstycket från att tränga igenom. Ögonskyddet ska skydda mot splitter som genereras vid olika arbeten. Dammskyddsmasken eller gasmasken ska filtrera bort partiklar som genereras vid arbetet. Långvarig exponering för höga ljud kan leda till nedsatt hörsel.
- ◆ Håll åskådare på ett säkert avstånd från arbetsområdet. **Alla som befinner sig inom arbetsområdet måste använda skyddsutrustning.** Fragment från arbetsstycket eller från ett trasigt tillbehör kan flyga iväg och även orsaka skador utanför det omedelbara arbetsområdet.
- ◆ Håll endast verktyget i de isolerade greppytorna vid arbete där borsten riskerar att komma i kontakt med dolda elledningar eller med sin egen nätsladd. Om borsten går igenom en strömförande ledning kommer verktygets metalldelar att bli strömförande och ge dig en elektrisk stöt.
- ◆ Placera sladden på säkert avstånd från det roterande tillbehöret. Om du förlorar kontrollen kan sladden kapas eller skadas och din hand eller arm kan dras in mot det roterande tillbehöret.
- ◆ Lagg inte ned elverktyget förrän tillbehöret har stannat helt. Det roterande tillbehöret kan hugga tag i ytan, vilket kan leda till att du förlorar kontrollen över elverktyget.
- ◆ Låt inte elverktyget vara påslaget om du bär på det. Oavsiktlig kontakt med det roterande tillbehöret kan leda till att tillbehöret fastnar i dina kläder och dras mot kroppen.
- ◆ Rengör elverktygets ventilationsöppningar regelbundet. Motorns fläkt suger in damm i höljet och om en tillräckligt stor mängd metalldamm samlas i höljet ökar risken för elfel.



- ◆ Använd inte elverktyget i närheten av brandfarligt material. Gnistor kan antända sådana material.
- ◆ Använd inte tillbehör som kräver kylvätska. Användning av vatten eller andra kylvätskor kan leda till elstötar.

Obs! Ovanstående varning gäller inte elverktyg som konstruerats särskilt för användning med vätskebaserade system.

### Kast och tillhörande varningar

Kast är en plötslig reaktion till följd av att en roterande skiva, underlagsplatta, borste eller något annat tillbehör fastnat. Om det roterande tillbehöret kläms eller hakar fast stannar det snabbt, vilket i sin tur leder till att elverktyget tvingas i motsatt rotationsriktning.

Om exempelvis en slipskiva kläms eller hakar fast i arbetsstycket kan kanten på den skiva som håller på att klämmas åt gräva sig in i ytan på materialet och få skivan att klättra eller slungas iväg. Skivan kan antingen slungas mot eller bort från användaren, beroende på i vilken riktning skivan rör sig när den kläms åt. Slipskivor kan dessutom gå sönder under sådana omständigheter.

Kast uppstår till följd av felaktig användning och/eller hantering av elverktyget. Detta kan undvikas om de skyddsåtgärder som beskrivs nedan vidtas.

- ◆ Se till att ha ett ordentligt grepp om elverktyget och placera kroppen och armarna på ett sätt som gör att du kan stå emot kraften från eventuella kast.
- Använd alltid extrahandtaget (om ett sådant finns) för maximal kontroll över kast och vridmoment vid start.** Användaren kan bemästra kraften i vridmoment eller kast om lämpliga försiktighetsåtgärder vidtas.
- ◆ Placera aldrig händerna i närheten av det roterande tillbehöret. Tillbehöret kan kastas mot din hand.
  - ◆ Placera inte kroppen där elverktyget kommer att slungas mot om kast uppstår. Ett kast kommer att driva verktyget i motsatt riktning från skivans rörelseriktning när den kläms fast.
  - ◆ Vidta särskild försiktighet när du bearbetar hörn, vassa kanter osv. Undvik att studsas eller haka fast tillbehöret. Hörn, vassa kanter och studsande kan klämma det roterande tillbehöret och orsaka kast eller leda till att du förlorar kontrollen.
  - ◆ Montera inte kedjesågblad för träsnideri eller tandade sågblad. Sådana sågblad orsakar ofta kast och förlorad kontroll.

### Säkerhetsanvisningar särskilt för slipning och slipande kapning

- ◆ Använd endast rekommenderade skivtyper för ditt elverktyg och ett skydd som konstruerats särskilt för den valda skivan. Skivor som inte är särskilt anpassade för elverktyget är inte säkra och ges inget tillfredsställande skydd.
- ◆ Skyddet måste fästas ordentligt på elverktyget för maximal säkerhet så att minsta möjliga del av skivan exponeras mot användaren. Skyddet bidrar till att skydda användaren från trasiga skivfragment och från oavsiktlig kontakt med skivan.
- ◆ Skivorna ska endast användas för rekommenderade användningsområden. Exempel: slipa inte med kapskivan. Slipande kapskivor är avsedda för slipning med kanten och om de utsätts för sidokrafter kan de gå sönder.
- ◆ **Använd alltid oskadade skivflänsar av rätt storlek och form till den valda skivan.** Anpassade skivflänsar ger stöd åt skivan och minskar därmed risken för att skivorna spricker. Flänsar för kapskivor kan skilja sig åt från flänsar avsedda för slipskivor.
- ◆ Använd inte nedslitna skivor anpassade för större elverktyg. Skivor som är avsedda för större elverktyg lämpar sig inte för de högre hastigheterna hos ett mindre verktyg och kan gå sönder.

### Ytterligare säkerhetsanvisningar särskilt för slipande kapning

- ◆ Kapskivan får inte "klämmas åt" eller utsättas för hårt tryck. Skär inte för djupt. Om skivan pressas för hårt ökar belastningen och risken för att skivan vrider sig eller fastnar i spåret samt risken för kast eller att skivan går sönder.
- ◆ Ställ dig inte i linje med eller bakom den roterande skivan. När skivan rör sig bort från kroppen vid användning kan ett eventuellt kast driva den roterande skivan och elverktyget rakt mot dig.
- ◆ Om skivan fastnar, eller om kapningen av någon anledning avbryts, ska du stänga av elverktyget och hålla elverktyget stilla i arbetsstycket tills skivan helt slutat snurra. Försök aldrig ta bort kapskivan från spåret medan skivan står stilla eftersom detta kan leda till bakåtkast. Ta reda på varför skivan fastnar och åtgärda felet.
- ◆ **Påbörja inte kapningen när verktyget befinner sig i arbetsstycket.** Låt skivan nå full hastighet innan du försiktigt sänker ned verktyget i spåret på nytt. Skivan kan fastna, klättra uppåt eller kastas upp om elverktyget startas om i arbetsstycket.

- ◆ Stöd paneler eller överdimensionerade arbetsstycken för att minimera risken för att skivan kläms fast och kastas bakåt. Stora arbetsstycken böjs ofta av sin egen vikt. Placera stöd under arbetsstycket nära sågspåret och vid styckets kant på skivans båda sidor.
- ◆ **Var extra försiktig vid "instickssågning" i befintliga väggar eller andra dolda områden.** Med den framskjutande skivan kan du kapa gas- eller vattenledningar, elledning eller föremål som kan orsaka kast.

- ◆ Skador som orsakas av långvarig användning av ett verktyg. Se till att ta regelbundna raster när du använder ett verktyg under en längre period.
- ◆ Skador på hörseln.
- ◆ Hälsorisker orsakade av inandning av damm när verktyget används (exempel: arbete med trä, särskilt ek, bok och MDF).

### Vibrationer

De uppgivna vibrationsvärdena i avsnitten Tekniska data och EU-förklaring om överensstämmelse har uppmätts i enlighet med en standardtestmetod föreskriven i EN 60745 och kan användas för jämförelse med andra verktyg. Det angivna vibrationsvärdet kan även användas för en preliminär bedömning av exponeringen.

**Varning!** Vibrationsvärdet under faktisk användning av elverktyget kan skilja sig från det uppgivna värdet beroende på hur verktyget används. Vibrationsnivån kan överstiga den uppgivna nivån.

Vid uppskattning av vibrationsexponering i syfte att bedöma vilka säkerhetsåtgärder som är nödvändiga enligt 2002/44/EG för att skydda personer som regelbundet använder elverktyg i arbetet ska man utgå från de faktiska omständigheter under vilka elverktyget används och sättet på vilket det används. Bedömningen ska även ta hänsyn till alla moment i arbetscykeln, t.ex. när verktyget är avstängt och när det går på tomgång såväl som när det faktiskt används.

### Etiketter på verktyget

Följande symboler finns på redskapet:



**Varning!** Läs bruksanvisningen före användning för att minska risken för olyckor.



Bär alltid skyddsglasögon när du använder verktyget.



Bär alltid hörselskydd när du använder verktyget.

### Elsäkerhet



Eftersom verktyget är dubbelisolerat behövs ingen jordledare. Kontrollera alltid att nätspänningen överensstämmer med värdet på typskylten.

- ◆ Om nätsladden är skadad måste den bytas ut av tillverkaren eller en auktoriserad Black & Decker-verkstad för att undvika fara.

### Säkerhetsanvisningar särskilt för slipning

- ◆ Använd inte för stora slippapper. Följ tillverkarens rekommendationer när du väljer slippapper. Slippapper som är större än slippattan riskerar att slitas sönder och kan leda till att skivan fastnar, slits sönder eller kastas bakåt.

### Säkerhetsanvisningar särskilt för polering

- ◆ Låt inte lösa delar av polerhättan eller dess fästsnöre rotera fritt. Stoppa in eller klipp bort lösa fästsnören. Lösa eller roterande fästsnören kan sno in sig i fingrarna eller fastna i arbetsstycket.

### Säkerhetsanvisningar särskilt för borstning

- ◆ Tänk på att ståltrådar kastas iväg från borsten även under normal användning. Överbelasta inte trådarna genom att överbelasta borsten. Ståltrådarna kan lätt penetrera tunna kläder och/eller hud.
- ◆ Om användning av skydd rekommenderas för stålborstning ska du se till att skivan eller borsten inte får kontakt med skyddet. Slipborstar kan expandera i storlek på grund av arbetsbelastning och centrifugalkrafter.

### Säkerhet för andra

- ◆ Verktyget ska inte användas av personer (inklusive barn) med nedsatt fysisk eller psykisk förmåga eller bristande erfarenhet och kunskap, om de inte får vägledning och övervakas av en person som ansvarar för deras säkerhet.
- ◆ Barn ska hållas under uppsikt så att de inte leker med verktyget.

### Övriga risker.

Ytterligare risker som inte finns med i de bifogade säkerhetsföreskrifterna kan uppstå när verktyget används. Dessa risker kan uppstå vid felaktigt eller långvarig användning, etc. Även om alla relevanta säkerhetsföreskrifter följs och säkerhetsanordningar används kan vissa ytterligare risker inte undvikas. Dessa innefattar:

- ◆ Skador orsakade av att roterande/rörliga delar vidrörs.
- ◆ Skador som uppstår vid byte av delar, blad eller tillbehör.

## Funktioner

Detta verktyg har några eller samtliga av följande funktioner.

1. Strömbrytare
2. Sidohandtag
3. Spindellås
4. Skydd

## Montering

**Varning!** Se till att verktyget är avstängt samt att det inte är anslutet innan monteringen börjar.

### Montera och ta bort skyddet (fig. A)

Verktyget är utrustat med ett skydd som bara är avsett för slipning. Om verktyget ska användas för kapning måste ett skydd som är speciellt avsett för detta monteras. Ett passande skydd för kapning har artikelnummer 1004484-06 för KG701/ KG901 och 1004484-07 för KG902 och kan beställas från Black & Deckers servicecenter.

### Montering

- ◆ Placera verktyget på ett bord med spindeln (5) uppåt.
- ◆ Frigör klämlåset (7) och håll skyddet (4) över verktyget enligt bilden.
- ◆ Rikta klackarna (8) mot skårorna (9).
- ◆ Tryck ned skyddet och rotera det moturs till rätt läge.
- ◆ Fäst klämlåset (7) för att montera skyddet på verktyget.
- ◆ Dra vid behov åt skruven (6) för att öka låskraften.

### Borttagning

- ◆ Frigör klämlåset (7).
- ◆ Roter skyddet moturs för att rikta klackarna (8) mot skårorna (9).
- ◆ Ta bort skyddet från verktyget.

**Varning!** Använd aldrig verktyget utan skyddet.

### Montering av sidohandtaget

- ◆ Skruva in sidohandtaget (2) i något av verktygets monteringshål.

**Varning!** Använd alltid sidohandtaget.

### Montera och ta bort slipskivor eller sågklingor (fig. B – D)

Använd alltid rätt sorts skiva för det aktuella arbetet. Använd alltid skivor med rätt diameterstorlek och borrstorlek (se tekniska data).

### Montering

- ◆ Montera skyddet enligt beskrivningen ovan.
- ◆ Placera den inre flänsen (10) på spindeln (5) enligt bilden (fig. B). Se till att flänsen sitter korrekt på spindelns platta sidor.

- ◆ Placera skivan (11) på spindeln (5) enligt bilden (fig. B). Om skivans centrum är upphöjd (12) ska du se till att den upphöjda centrumdelen ligger an mot den inre flänsen.
- ◆ Se till att skivan sitter korrekt på den inre flänsen.
- ◆ Placera den yttre flänsen (13) på spindeln. Vid montering av en slipskiva ska den yttre flänsens upphöjda centrumdel vara vänd mot skivan (A i fig. C). Vid montering av en kapskiva ska den yttre flänsens upphöjda centrumdel vara vänd bort från skivan (B i fig. C).
- ◆ Se till att spindellåset (3) är nedtryckt och dra åt den yttre flänsen med hjälp av den dubbelstiftade flänsnyckeln (14) (fig. D).

### Borttagning

- ◆ Se till att spindellåset (3) är nedtryckt och lossa den yttre flänsen (13) med hjälp av den dubbelstiftade flänsnyckeln (14) (fig. D).
- ◆ Ta bort den yttre flänsen (13) och skivan (11).

### Montera och ta av slipskivorna (fig. D och E)

För slipning krävs en underlagsplatta. Underlagsplattan kan köpas som tillbehör hos Black & Deckers återförsäljare.

### Montering

- ◆ Placera den inre flänsen (10) på spindeln (5) enligt bilden (fig. E). Se till att flänsen sitter korrekt på spindelns platta sidor.
- ◆ Placera underlagsplattan (15) på spindeln.
- ◆ Placera slipskivan (16) på underlagsplattan.
- ◆ Placera den yttre flänsen (13) på spindeln, med den upphöjda centrumdelen vänd bort från skivan.
- ◆ Se till att spindellåset (3) är nedtryckt och dra åt den yttre flänsen med hjälp av den dubbelstiftade flänsnyckeln (14) (fig. D). Se till att den yttre flänsen sitter korrekt och att skivan kläms fast ordentligt.

### Borttagning

- ◆ Se till att spindellåset (3) är nedtryckt och lossa den yttre flänsen (13) med hjälp av den dubbelstiftade flänsnyckeln (14) (fig. D).
- ◆ Ta bort den yttre flänsen (13), slipskivan (16) och underlagsplattan (15).

## Användning

**Varning!** Låt verktyget arbeta i sin egen takt. Överbelasta det inte.

- ◆ Håll undan kabeln ordentligt så att du inte råkar klippa av den.
- ◆ Var beredd på gnistor som uppstår när slip- eller kapskivan vidrör arbetsstycket.
- ◆ Placera alltid verktyget så att skyddet ger optimalt skydd mot slip- eller kapskivan.

## Slå på och av

- ◆ Slå på verktyget genom att föra strömbrytaren (1) framåt. Observera att verktyget fortfarande kommer att vara igång när du släpper knappen.
- ◆ Tryck på den bakre delen av strömbrytaren för att stänga av.

**Varning!** Stäng inte av verktyget när det är belastat.

## Råd för optimal användning

- ◆ Se till att ha ett ordentligt grepp med en hand runt sidohandtaget och den andra handen runt huvudhandtaget.
- ◆ Vid slipning ska du se till att det alltid finns en vinkel på cirka 15° mellan skivan och arbetsstyckets yta.

## Underhåll

Det här Black & Decker-verktyget (med eller utan sladd) är konstruerat för att fungera under lång tid med minsta möjliga underhåll. Med rätt underhåll och regelbunden rengöring behåller verktyget sin prestanda.

**Varning!** Innan något underhåll utförs på elektriska redskap med eller utan sladd:

- ◆ Stäng av redskapet/verktyget och dra ur nätkontakten.
- ◆ Du kan också ta ut batteriet ur redskapet om redskapet har ett separat batteri.
- ◆ Om batteriet är inbyggt låter du det laddas ur helt innan avstängningen.
- ◆ Dra ur sladden till laddaren innan du rengör den. Laddaren behöver inget annat underhåll än regelbunden rengöring.
- ◆ Rengör regelbundet redskapets/verktygets/laddarens luftintag med en mjuk borste eller torr trasa.
- ◆ Rengör kåpan regelbundet med en fuktig trasa. Använd aldrig rengöringsmedel med lösnings- eller slipmedel.
- ◆ Öppna chocken (där sådan finns) med jämna mellanrum och knacka på den för att avlägsna damm som sitter på insidan.

## Byte av nätkontakt (endast Storbritannien och Irland)

Byt kontakten på följande sätt:

- ◆ Gör dig av med den gamla kontakten på lämpligt sätt.
- ◆ Anslut den bruna ledningen till den strömförande anslutningen i den nya kontakten.
- ◆ Anslut den blå ledningen till den icke strömförande anslutningen.

**Varning!** Anslut inte till jordanslutningen. Följ monteringsanvisningarna som medföljer kontakter av god kvalitet. Rekommenderad säkring: 13 A.

## Miljö



Separat insamling. Produkten får inte kastas i hushållssoporna.

Tänk på miljön när du slänger denna Black & Decker-produkt. Släng den inte tillsammans med hushållsavfallet. Lämna produkten för separat insamling.



Insamling av uttjänta produkter och förpackningsmaterial gör att material kan återanvändas. Användning av återvunnet material minskar föroreningar av miljön och behovet av råmaterial.

Lokala föreskrifter kan kräva separat insamling av elprodukter från hushållen, vid kommunala samlingsplatser eller hos återförsäljaren när du köper en ny produkt.

Black & Decker samlar in och återvinner uttjänta Black & Decker-produkter. Om du vill utnyttja denna tjänst återlämnar du produkten till en auktoriserad verkstad, som samlar in den för vår räkning.

För information om närmaste auktoriserade verkstad, kontakta det lokala Black & Decker-kontoret på den adress som är angiven i bruksanvisningen. En lista över alla auktoriserade Black & Decker-verkstäder samt servicevillkor finns på Internet: [www.2helpU.com](http://www.2helpU.com)

## Tekniska data

		KG701 (Type 1)	KG901 (Type 1)	KG902 (Type 1)
Inspänning	V <sub>ac</sub>	230	230	230
Ineffekt	W	710	900	900
Tomgångshastighet	min <sup>-1</sup>	10,500	11,000	11,000
Skiva, diameter	mm	115	115	125
Skivborr	mm	22	22	22
Max. skivtjocklek				
slipskivor	mm	6	6	6
kapskivor	mm	3.5	3.5	3.5
Spindelstorlek		M14	M14	M14
Vikt	kg	2.1	2.1	2.1

$L_{pA}$ (ljudnivå) 92.6 dB(A), osäkerhet (K) 3 dB(A)
$L_{WA}$ (akustisk effekt) 103.6 dB(A), osäkerhet (K) 3 dB(A)
<b>Totala vibrationsvärden (vektorsumman av tre axlar) enligt EN 60745:</b>
Ytslipning ( $a_{h,SG}$ ) 9.9 m/s <sup>2</sup> , osäkerhet (K) 1.5 m/s <sup>2</sup>
Kapning ( $a_h$ ) 6.2 m/s <sup>2</sup> , osäkerhet (K) 1.5 m/s <sup>2</sup>
Polering ( $a_h$ ) 4.6 m/s <sup>2</sup> , osäkerhet (K) 1.5 m/s <sup>2</sup>
Skivslipning ( $a_h$ ) 9.6 m/s <sup>2</sup> , osäkerhet (K) 1.5 m/s <sup>2</sup>
Stålbörstning ( $a_h$ ) 10.2 m/s <sup>2</sup> , osäkerhet (K) 1.5 m/s <sup>2</sup>

### EG-deklaration om överensstämmelse MASKINDIREKTIV



KG701 / KG901 / KG902

Black & Decker garanterar att produkterna som beskrivs under "Tekniska data" uppfyller:  
2006/42/EG, EN 60745-1, EN 60745-2-3

De här produkterna överensstämmer även med direktiven 2004/108/EG och 2011/65/EU.

Mer information får du genom att kontakta Black & Decker på följande adress eller se slutet av bruksanvisningen. Undertecknad är ansvarig för sammanställningen av tekniska data och gör denna försäkran för Black & Decker.

Kevin Hewitt  
Vice-President Global Engineering  
Black & Decker Europe, 210 Bath Road, Slough,  
Berkshire, SL1 3YD, Storbritannien  
30/03/2012

### Garanti

Black & Decker garanterar att produkten är fri från material- och/eller fabriktionsfel vid leverans till kund. Garantin gäller utöver konsumentens rättigheter enligt lag och påverkar inte dessa. Garantin gäller inom medlemsstaterna i Europeiska Unionen och i det Europeiska Frihandelsområdet.

Om en Black & Decker-produkt går sönder på grund av material- och/eller fabriktionsfel eller brister i överensstämmelse med specifikationen, inom 24 månader från köpet, åtar sig Black & Decker att reparera eller byta ut produkten med minsta besvär för kunden, förutom om:

- ◆ Produkten har använts i kommersiellt eller yrkesmässigt syfte eller i uthyringssyfte.
- ◆ Produkten har utsatts för felaktig användning eller skötsel.
- ◆ Produkten har skadats av främmande föremål, ämnen eller genom olyckshändelse.
- ◆ Reparation har utförts av någon annan än en auktoriserad Black & Decker-verkstad.

Vid garantianspråk ska produkten och inköpskvittot lämnas till återförsäljaren eller till en auktoriserad verkstad. För information om närmaste auktoriserade verkstad, kontakta det lokala Black & Decker-kontoret på den adress som är angiven i bruksanvisningen. En lista över alla auktoriserade Black & Decker-verkstäder samt servicevillkor finns på Internet: [www.2helpU.com](http://www.2helpU.com)

Besök vår webbplats [www.blackanddecker.se](http://www.blackanddecker.se) för att registrera din nya Black & Decker-produkt samt för att erhålla information om nya produkter och specialerbjudanden. Vidare information om märket Black & Decker och vårt produktsortiment återfinns på [www.blackanddecker.se](http://www.blackanddecker.se)

## Bruksområde

Black & Decker vinkelsliper er konstruert for sliping og kutting av metall og mur ved bruk av passende type kutte eller slipeskive. Dette verktøyet er bare beregnet som konsumentverktøy, og da med riktig vern.

## Sikkerhetsinstruksjoner

### Generelle sikkerhetsadvarsler for elektroverktøy



Advarsel! Les alle sikkerhetsadvarsler og alle instruksjoner. Hvis advarslene og anvisningene nedenfor ikke overholdes, kan det medføre elektrisk støt, brann og/eller alvorlige personskader.

Ta vare på alle advarsler og instruksjoner for fremtidig bruk. Begrepet "elektroverktøy" i advarslene nedenfor gjelder nettdrevet elektroverktøy (med ledning) eller batteridrevet elektroverktøy (uten ledning).

1. Sikkerhet i arbeidsområdet
  - a. Hold arbeidsområdet rent og godt opplyst. Rotete eller mørke områder fører lett til ulykker.
  - b. Ikke arbeid med elektroverktøy i eksplosjonsfarlige omgivelser – der det befinner seg brennbare væsker, gass eller støv. Elektroverktøy forårsaker gnister som kan antenne støv eller gass/damp.
  - c. Hold barn og andre personer unna når du bruker et elektroverktøy. Hvis du blir forstyrret under arbeidet, kan du miste kontrollen.
2. Elektrisk sikkerhet
  - a. Støpselet til elektroverktøy må passe i stikkkontakten. Støpselet må ikke forandres på noen som helst måte. Ikke bruk adapterstøpsler sammen med jodede elektroverktøy. Bruk av originale støpsler og passende stikkontakter reduserer risikoen for elektrisk støt.
  - b. **Unngå kroppskontakt med jodede overflater som rør, radiatorer, komfyrer og kjøleskap.** Det er større fare for elektrisk støt dersom kroppen din er jordet.
  - c. Hold elektroverktøy unna regn eller fuktighet. Dersom det kommer vann i et elektroverktøy, øker faren for elektrisk støt.
  - d. Unngå uforvarslig behandling av ledningen. Bruk aldri ledningen til å bære eller trekke elektroverktøyet eller til å trekke ut støpselet. Hold ledningen unna varme, olje, skarpe kanter eller bevegelige deler. Skadde eller sammenflokede ledninger øker risikoen for elektrisk støt.
  - e. Når du bruker et elektroverktøy utendørs, må du bruke en skjøteledning som er egnet for utendørs bruk. Når du bruker en skjøteledning som er egnet for utendørs bruk, reduseres risikoen for elektrisk støt.
3. Personssikkerhet
  - a. Vær oppmerksom, pass på hva du gjør, og vis fornuft når du arbeider med et elektroverktøy. Ikke bruk elektroverktøy når du er trett eller er påvirket av narkotika, alkohol eller medikamenter. Et øyeblikks uoppmerksomhet under bruk av verktøyet kan føre til alvorlige personskader.
  - b. Bruk personlig verneutstyr. Bruk alltid vernebriller. Bruk av personlig verneutstyr, for eksempel støvmaske, sklislire vernesko, hjelm eller hørselvern som passer til forholdene, reduserer risikoen for personskader.
  - c. Forhindre utilsiktet start. Kontroller at bryteren står i posisjon "av" før du kobler til strømkilden og/eller batteripakken, og før du tar opp eller bærer verktøyet. Det kan føre til ulykker hvis du bærer elektroverktøyet med fingeren på bryteren, eller setter strøm på verktøyet når bryteren står på.
  - d. Fjern eventuelle innstillingsverktøy eller skruverktøy før du slår på elektroverktøyet. Et skruverktøy eller en nøkkel som fortsatt er festet til en roterende del av elektroverktøyet, kan føre til personskade.
  - e. Ikke strekk deg for langt. Pass på at du alltid har sikkert fotfeste og god balanse. Da kan du kontrollere elektroverktøyet bedre i uventede situasjoner.
  - f. Bruk egnede klær. Ikke bruk løstsittende klær eller smykker. Hold hår, klær og hansker unna bevegelige deler. Løstsittende tøy, smykker eller langt hår kan bli sittende fast i bevegelige deler.
  - g. Hvis det kan monteres støvavsug- og oppsamlingsinnretninger, må du forvise deg om at disse er tilkoblet og brukes på riktig måte. Bruk av støvoppsamling kan redusere faren i forbindelse med støv.
4. Bruk og behandling av elektroverktøy
  - a. Ikke bruk makt på elektroverktøyet. Bruk riktig elektroverktøy for bruksområdet. Med et passende elektroverktøy arbeider du bedre og sikrere med den farten det er beregnet for.
  - b. Ikke bruk elektroverktøyet hvis du ikke kan slå det på og av med bryteren. Et elektroverktøy som ikke kan kontrolleres med bryteren, er farlig og må repareres.
  - c. Trekk støpselet ut av stikkkontakten og/eller koble fra batteripakken på elektroverktøyet før du utfører innstillinger, bytter tilbehør eller legger elektroverktøyet bort. Disse forebyggende sikkerhetstiltakene reduserer risikoen for utilsiktet start av elektroverktøyet.
- f. Hvis du ikke kan unngå å bruke et elektroverktøy på et fuktig sted, bruker du strømforsyning som er beskyttet med jordfeilbryter. Bruk av jordfeilbryter reduserer risikoen for elektrisk støt.

- d. Elektroverktøy som ikke er i bruk, må oppbevares utilgjengelig for barn. Ikke la verktøyet bli brukt av personer som ikke er fortrolig med det, eller som ikke har lest denne bruksanvisningen. Elektroverktøy er farlige når de brukes av uerfarne personer.
- e. Sørg for vedlikehold av elektroverktøy. Undersøk om bevegelige deler er feiljustert eller blokkert, om deler er skadet, og om det er andre forhold som kan påvirke elektroverktøyet funksjon. Hvis elektroverktøyet er skadet, må det repareres før bruk. Dårlig vedlikeholdt elektroverktøy er årsaken til mange ulykker.
- f. Hold skjæreverktøy skarpe og rene. Godt vedlikeholdte skjæreverktøy med skarpe egger setter seg ikke så ofte fast og er lettere å føre.
- g. Bruk elektroverktøy, tilbehør, bits osv. i henhold til disse instruksjonene. Ta hensyn til arbeidsforholdene og arbeidet som skal utføres. Bruk av elektroverktøy til andre formål enn det som er angitt, kan føre til farlige situasjoner.
5. Service
- a. **Elektroverktøy skal alltid repareres av kvalifisert personell og kun med originale reservedeler.** Dette sikrer at elektroverktøyet sikkerhet opprettholdes.

### Ytterligere sikkerhetsadvarsler for elektroverktøy



Advarsel! Ytterligere sikkerhetsadvarsler for grov- og finsliping, trådbørsting, polering eller kutteoperasjoner med sliping

- ◆ Dette elektroverktøyet er beregnet for grov- og finsliping, trådbørsting, polering eller kutting. Les alle sikkerhetsadvarsler, instruksjoner, illustrasjoner og spesifikasjoner som følger med dette elektroverktøyet. Hvis anvisningene nedenfor ikke overholdes, kan det medføre elektrisk støt, brann og/eller alvorlige personskader.
- ◆ Operasjoner som elektroverktøyet ikke er konstruert for, kan skape fare og føre til personskade.
- ◆ Ikke bruk tilbehør som ikke er konstruert spesielt og er anbefalt av verktøyprodusenten. Selv om tilbehøret kan festes til elektroverktøyet, betyr ikke dette sikker bruk.
- ◆ Den normerte hastigheten til tilbehøret må være minst like stor som den maksimale hastigheten som er angitt på elektroverktøyet. Tilbehør som går fortere enn sin normerte hastighet, kan gå i stykker og bli spredd.
- ◆ Den ytre diameteren og tykkelsen på tilbehøret må være innenfor den normerte kapasiteten til elektroverktøyet. Tilbehør med feil størrelse kan ikke vernes og kontrollere tilstrekkelig.
- ◆ **Hulldiameteren til skiver, flenser, festeskiver og annet tilbehør må passe til spindelen på elektroverktøyet.** Tilbehør med spindelhull som ikke passer til monteringsenheten på elektroverktøyet, vil være ute av balanse, vil vibrere for mye og kan føre til at du mister kontrollen.
- ◆ Ikke bruk tilbehør som er skadet. Før hver gangs bruk må du undersøke tilbehøret, for eksempel slipeskiver for avsponing og sprekker, festeskiver for sprekker, riffer eller sterk slitasje og trådbørster for løse eller knekte tråder. Hvis et elektroverktøy eller tilbehør faller ned, må du undersøke det for skade eller montere tilbehør som ikke er skadet. Etter å ha undersøkt og montert et tilbehør, kjører du elektroverktøyet på maksimal hastighet ubelastet i ett minutt. Skadet tilbehør vil normalt gå i stykker i løpet av denne testtiden.
- ◆ Bruk personlig verneutstyr. Avhengig av anvendelsesområdet må du bruke ansiktsvisir eller vernebriller. Bruk støvmaske, hørselvern, hansker og verkstedforkle etter behov for å stoppe små fragmenter av slipemiddel eller arbeidsstykke. Øyebeskyttelsen må kunne stoppe flygende avfall som dannes ved ulike operasjoner. Støvmaske eller pustemaske må kunne filtrere partikler som dannes ved operasjonen. Langvarig eksponering for støv med høy intensitet kan føre til hørselstap.
- ◆ Hold tilskuere på trygg avstand fra arbeidsområdet. Alle som kommer inn i arbeidsområdet, må bruke personlig verneutstyr. Fragmenter av arbeidsstykket eller fra ødelagt tilbehør kan fly av gårde og forårsake personskade utenfor det umiddelbare arbeidsområdet.
- ◆ Hold elektroverktøyet bare i de isolerte grepene når du utfører et arbeid hvor skjæretilbehøret kan komme i kontakt med skjulte ledninger eller sin egen kabel. Hvis skjærende tilbehør kommer i kontakt med en strømførende ledning, kan metalldele uten isolasjon på verktøyet bli strømførende, og brukeren kan få støt.
- ◆ Plasser ledningen unna det roterende tilbehøret. Hvis du mister kontrollen, kan ledningen bli kuttet eller sitte fast, og armen eller hånden din kan bli trukket inn i det roterende tilbehøret.
- ◆ Legg aldri elektroverktøyet ned før tilbehøret har stoppet helt. Det roterende tilbehøret kan gripe fatt i overflaten og trekke i elektroverktøyet slik at du mister kontrollen.
- ◆ Ikke kjør elektroverktøyet mens du bærer det ved siden av deg. Hvis du kommer i kontakt med det roterende tilbehøret ved et uhell, kan det hekte seg fast i klærne, og tilbehøret kan bli trukket inn i kroppen din.
- ◆ Rengjør luftpåringene til elektroverktøyet regelmessig. Motorens vifte vil trekke støvet inn i huset, og hvis det samler seg for mye metallstøv, kan det føre til elektrisk fare.
- ◆ Ikke bruk elektroverktøyet i nærheten av brennbare materialer. Gnister kan antenne disse materialene.

- ◆ Ikke bruk tilbehør som krever kjølevæske. Bruk av vann eller annen kjølevæske kan føre til elektrisk støt som kan være dødelig.

**Merknad:** Advarsler ovenfor gjelder ikke for elektroverktøy som er konstruert spesielt for bruk med et væskesystem.

### Tilbakeslag og tilhørende advarsler

Tilbakeslag er en plutselig reaksjon på klemt eller fastheftet roterende skive, festeplate, børste eller annet tilbehør. Klemming eller hekting fører til at det roterende tilbehøret stanses raskt, og dette fører i sin tur til at et ukontrollert elektroverktøy blir tvunget i motsatt retning av tilbehørets rotasjon ved monteringspunktet.

Hvis for eksempel en slipeskive blir klemt eller heftet fast i arbeidsstykket, kan kanten av skiven som går inn ved klemmepunktet, grave seg inn i overflaten av materialet og få skiven til å klatre ut eller slå seg ut. Skiven kan hoppe mot eller fra brukeren, avhengig av retningen til skivens bevegelse ved klemmepunktet. Slipeskiver kan også gå i stykker under slike forhold.

Tilbakeslag er et resultat av feil bruk av elektroverktøy og/eller feil bruksprosedyrer eller -forhold og kan unngås ved at du tar riktige forholdsregler som forklart nedenfor.

- ◆ Hold elektroverktøyet med et fast grep, og plasser kroppen og armen slik at du kan motstå tilbakeslagskrefter. **Bruk alltid hjelpehåndtak hvis et slikt finnes**, for å få best mulig kontroll over tilbakeslag eller momentreaksjon under start. Brukeren kan kontrollere momentreaksjoner eller tilbakeslagskrefter hvis det er truffet riktige forholdsregler.
- ◆ Plasser aldri hånden i nærheten av det roterende tilbehøret. Tilbehøret kan slå tilbake over hånden.
- ◆ Ikke plasser kroppen i området der elektroverktøyet vil bevege seg hvis det forekommer tilbakeslag. Et tilbakeslag vil dreie verktøyet i retningen motsatt av skivens bevegelse ved fasthektingspunktet.
- ◆ Vær spesielt forsiktig når du arbeider med hjørner, skarpe kanter osv. Unngå at tilbehøret spretter og blir sittende fast. Hjørner, skarpe kanter eller spretting har en tendens til å få tilbehøret til å sitte fast og føre til tap av kontroll eller tilbakeslag.
- ◆ Du må ikke sette på et blad med sagkjede eller sagblad med tenner. Slike blader gir hyppige tilbakeslag og tap av kontroll.

### Sikkerhetsadvarsler spesielt for grovsliping og kutteoperasjoner med sliping

- ◆ Bruk bare skivetyper som er anbefalt for elektroverktøyet ditt og det spesielle vernet som er konstruert for den valgte skiven. Skiver som elektroverktøyet ikke er konstruert for, kan ikke utstyres med tilstrekkelig vern og er farlige.
- ◆ Vernet må være sikkert festet til elektroverktøyet og være plassert slik at det gir maksimal sikkerhet, slik at minst mulig av skiven er eksponert mot brukeren. Vernet bidrar til å beskytte brukeren mot fragmenter av en skadet skive og kontakt med skiven ved et uhell.
- ◆ Skiver må bare brukes til anbefalte bruksområder. Eksempel: Ikke utfør grovsliping med siden av en kuttesskive. Slipeskiveskiver er beregnet for sliping langs omkretsen, og hvis disse skivene blir utsatt for krefter i sideretningen, kan det få dem til å gå i stykker.
- ◆ **Bruk alltid skiveflenser uten skader og med korrekt størrelse og form for den valgte skiven.** Riktige skiveflenser støtter skiven og reduserer dermed muligheten for at skiven går i stykker. Flenser for kuttesskiver kan være forskjellige fra flenser for grovslipeskiver.
- ◆ Ikke bruk slitte skiver fra større elektroverktøy. Skiver som er beregnet for et større elektroverktøy, passer ikke til den høye hastigheten til et mindre verktøy og kan gå i stykker.

### Ytterligere sikkerhetsadvarsler spesielt for kutteoperasjoner med sliping

- ◆ Ikke blokker kuttesskiven, og ikke bruk for stort trykk. Ikke prøv å kutte for dypt. Hvis skiven kjøres for hardt, øker det belastningen og risikoen for vridning eller fastlemming av skiven i kuttet og muligheten for tilbakeslag eller ødelagt skive.
- ◆ Ikke plasser kroppen på linje med og bak den roterende skiven. Når skiven beveger seg bort fra kroppen din ved arbeidspunktet, kan et mulig tilbakeslag kaste den roterende skiven og elektroverktøyet direkte mot deg.
- ◆ Hvis skiven sitter fast, eller du avbryter et kutt av en eller annen grunn, må du slå av elektroverktøyet og holde det stille til skiven stopper helt. Forsøk aldri å fjerne kuttesskiven fra kuttet mens skiven er i bevegelse, for ellers kan det oppstå tilbakeslag. Undersøk årsakene til at skiven blokkeres, og treff korrigerende tiltak.
- ◆ Ikke start kutteoperasjonen på nytt i arbeidsstykket. La skiven få full hastighet, og gå forsiktig inn i kuttet igjen. Skiven kan sette seg fast, klatre opp eller slå tilbake hvis verktøyet startes på nytt i arbeidsstykket.



- ◆ Støtt plater eller svært store arbeidsstykker for å minimere risikoen for klemming og tilbakeslag. Store arbeidsstykker har en tendens til å bli bøyd av sin egen vekt. Du må plassere støtter under arbeidsstykket i nærheten av skjærelinjen og i nærheten av kanten av arbeidsstykket på begge sider av skiven.
- ◆ Vær ekstra varsom når du lager et "lommekutt" i eksisterende vegger eller andre steder der du ikke ser. Skiven som stikker frem, kan kutte gass- eller vannrør, elektriske ledninger eller gjenstander som kan forårsake tilbakeslag.

### Sikkerhetsadvarsler spesielt for finslipeoperasjoner

- ◆ Ikke bruk slipeskivepapir som er mye for stort. Følg produsentens anbefalinger når du velger slipepapir. Stort slipepapir som stikker utenfor festeskiven, gir fare for avriving og kan føre til fastklemming, riving av skiven eller tilbakeslag.

### Sikkerhetsadvarsler spesielt for poleringsoperasjoner

- ◆ Ikke la noen løse deler av poleringsheten eller festesnoren rotere fritt. Putt løse festesnorer unna, eller kutt dem av. Løse og roterende festesnorer kan vikle seg inn i fingrene eller henge fast i arbeidsstykket.

### Sikkerhetsadvarsler spesielt for trådbørstingsoperasjoner

- ◆ Vær oppmerksom på at trådbust blir kastet fra børsten selv ved vanlig bruk. Ikke belast trådene ved å bruke for stor kraft på børsten. Trådbusten kan lett trenge gjennom tynne klær og hud.
- ◆ Hvis det anbefales vern for trådbørsting, må du ikke la trådskiven eller børsten komme i kontakt med vernet. Trådskiven eller børsten kan øke diameteren på grunn av arbeidsbelastningen og sentrifugalkraftene.

### Andre personers sikkerhet

- ◆ Det er ikke meningen at dette produktet skal brukes av personer (inkludert barn) med reduserte fysiske, sansemessige eller mentale evner, eller som mangler erfaring og kunnskap, med mindre de har fått oppfølging eller instruksjon når det gjelder bruken av produktet, fra en person som er ansvarlig for deres sikkerhet.
- ◆ Barn skal være under oppsyn så du er sikker på at de ikke leker med verktøyet.

### Andre risikoer

Ved bruk av produktet kan det oppstå ytterligere risikoer som kanskje ikke er inkludert i sikkerhetsadvarslene som følger med. Disse risikoene kan bli forårsaket av feil bruk, langvarig bruk osv.

Selv om de relevante sikkerhetsbestemmelsene blir fulgt, og sikkerhetstiltakene blir gjennomført, kan visse gjenværende risikoer ikke unngås. Disse omfatter:

- ◆ Personskader som forårsakes av berøring av en roterende/bevegelig del.
- ◆ Personskader som forårsakes av at en del, et blad eller tilbehør endres.
- ◆ Personskader som forårsakes av langvarig bruk av et verktøy. Når du bruker et verktøy i lange perioder, må du sørge for å ta regelmessige pauser.
- ◆ Svekket hørsel.
- ◆ Helsefarer som forårsakes av innånding av støv som dannes når du bruker verktøyet (eksempel: arbeid med tre, spesielt eik, bøk og MDF).

### Vibrasjon

Vibrasjonsemisjonsverdien som er angitt under tekniske data og samsvarserklæring, er blitt målt i henhold til en standard testmetode som er angitt i EN 60745, og kan brukes til å sammenligne et verktøy med et annet. Den oppgitte vibrasjonsemisjonsverdien kan også brukes til en foreløpig vurdering av eksponering.

**Advarsel!** Vibrasjonsemisjonsverdien under faktisk bruk av elektroverktøyet kan avvike fra den oppgitte verdien avhengig av måten verktøyet blir brukt på. Vibrasjonsnivået kan øke over nivået som er oppgitt.

Når man vurderer vibrasjonseksponering for å bestemme sikkerhetstiltak som kreves i 2002/44/EF, for å beskytte personer som bruker elektroverktøy regelmessig i arbeidet, skal man når man anslår vibrasjonseksponeringen, ta hensyn til de faktiske bruksforholdene og måten verktøyet blir brukt på, inkludert hensyn til alle deler av bruksyklusen – også de gangene verktøyet slås av, og når det går på tomgang, i tillegg til tiden utløseren er inne.

### Merking på verktøyet

Følgende symboler vises på verktøyet:



Advarsel! Brukeren må lese håndboken for å redusere risikoen for personskade.



Benytt vernebriller når du bruker dette produktet.



Benytt hørselvern når du bruker dette verktøyet.

### Elektrisk sikkerhet



Dette apparatet er dobbeltisolert. Jording er derfor ikke nødvendig. Kontroller alltid at strømforsyningen er i overensstemmelse med spenningen på typeskiltet.

- ◆ Hvis strømledningen blir skadet, må den skiftes av produsenten eller et autorisert Black & Decker-service-senter for å unngå fare.

## Funksjoner

Dette verktøyet inneholder enkelte av eller alle funksjonene nedenfor.

1. På/av-bryter
2. Sidehåndtak
3. Spindellås
4. Vern

## Montering

**Advarsel!** Før monteringen må du passe på at verktøyet er slått av og at kontakten er trukket ut.

### Montere og demontere vernet (figur A)

Verktøyet leveres med et vern som er beregnet bare for grovslipeoppgaver. Hvis verktøyet skal brukes til kutting, må det monteres et vern som er utformet spesielt for denne bruken. Et passende vern for kutting, med delenummer 1004484-06 for KG701/KG901 og 1004484-07 for KG902, er tilgjengelig og kan fås hos Black & Decker-servicesentre.

#### Montering

- ◆ Plasser verktøyet på et bord med spindelen (5) vendt oppover.
- ◆ Løsne klemmelåsen (7), og hold vernet (4) over verktøyet som vist.
- ◆ Plasser tappene (8) i forhold til hakkene (9).
- ◆ Trykk vernet ned, og dreii det mot klokken til ønsket stilling.
- ◆ Fest klemmelåsen (7) for å feste vernet til verktøyet.
- ◆ Om nødvendig strammer du skruen (6) for å øke klemmekraften.

#### Demontering

- ◆ Løsne klemmelåsen (7).
- ◆ Drei vernet med klokken for å plassere tappene (8) i forhold til hakkene (9).
- ◆ Fjern vernet fra verktøyet.

**Advarsel!** Bruk aldri verktøyet uten vernet.

### Montere sidehåndtaket

- ◆ Skru sidehåndtaket (2) inn i et av monteringshullene i verktøyet.

**Advarsel!** Bruk alltid sidehåndtaket.

### Montere og demontere slipe- eller kutteskiver (figur B–D)

Bruk alltid riktig type skive for bruksområdet. Bruk alltid skiver med korrekt diameter og hullstørrelse (se tekniske data).

## Montering

- ◆ Monter vernet som beskrevet ovenfor.
- ◆ Sett den indre flensen (10) på spindelen (5) som vist (figur B). Pass på at flensen er korrekt plassert på de flate sidene av spindelen.
- ◆ Sett skiven (11) på spindelen (5) som vist (figur B). Hvis skiven har hevet sentrum (12), må du passe på at hevet sentrum vender mot den indre flensen.
- ◆ Pass på at skiven sitter korrekt på den indre flensen.
- ◆ Sett den ytre flensen (13) på spindelen. Når du setter på en grovslipe-skive, må hevet sentrum på den ytre flensen vende mot skiven (A i figur C). Når du setter på en kutteskive, må hevet sentrum på den ytre flensen vende fra skiven (B i figur C).
- ◆ Hold spindellåsen (3) inne, og stram den ytre flensen med nøkkelen med to pinner (14) (figur D).

## Demontering

- ◆ Hold spindellåsen (3) inne, og løsne den ytre flensen (13) med nøkkelen med to pinner (14) (figur D).
- ◆ Ta av den ytre flensen (13) og skiven (11).

### Montere og demontere finslipe-skiver (figur D og E)

Til finsliping trenger du en festeskive. Festeskiven er tilgjengelig hos Black & Decker-forhandleren som tilbehør.

#### Montering

- ◆ Sett det indre flensen (10) på spindelen (5) som vist (figur E). Pass på at flensen er korrekt plassert på de flate sidene av spindelen.
- ◆ Sett festeskiven (15) på spindelen.
- ◆ Sett slipepapiret (16) på festeskiven.
- ◆ Sett den ytre flensen (13) på spindelen med hevet sentrum bort fra skiven.
- ◆ Hold spindellåsen (3) inne, og stram den ytre flensen med nøkkelen med to pinner (14) (figur D). Pass på at den ytre flensen er korrekt plassert, og at skiven er klemt godt fast.

#### Demontering

- ◆ Hold spindellåsen (3) inne, og løsne den ytre flensen (13) med nøkkelen med to pinner (14) (figur D).
- ◆ Ta av den ytre flensen (13), slipepapiret (16) og festeskiven (15).

## Bruk

**Advarsel!** La verktøyet arbeide med sin egen hastighet. Ikke overbelast det.

- ◆ Før ledningen med varsomhet for å unngå å kutte den ved et uhell.
- ◆ Vær forberedt på en strøm av gnister når grovslipe- eller kutteskiven berører arbeidsstykket.
- ◆ Plasser alltid verktøyet slik at vernet gir maksimal beskyttelse mot grovslipe- eller kutteskiven.

## Slå på og av

- ◆ Når du skal slå på, skyver du på/av-bryteren (1) fremover. Legg merke til at verktøyet vil fortsette å gå når du slipper bryteren.
- ◆ Når du vil slå av, trykker du på den bakre delen av på/av-bryteren.

Advarsel! Ikke slå verktøyet av mens det er belastet.

## Råd for optimal bruk

- ◆ Hold verktøyet støtt med den ene hånden rundt sidehåndtaket og den andre hånden rundt hovedhåndtaket.
- ◆ Under grovslibing skal du alltid ha en vinkel på ca. 15° mellom skiven og arbeidsstykket.

## Vedlikehold

Det nettdrevne/batteridrevne Black & Decker-apparatet/verktøyet er konstruert for å være i drift over lengre tid med et minimum av vedlikehold. Det er avhengig av riktig stell og regelmessig rengjøring for å fungere som det skal til enhver tid.

Advarsel! Før du utfører vedlikehold på nettdrevet/batteridrevet elektroverktøy:

- ◆ Slå av apparatet/verktøyet og trekk ut støpselet.
- ◆ Eller slå av apparatet/verktøyet og fjern batteriet fra dette hvis apparatet/verktøyet har separat batteripakke.
- ◆ Eller la batteriet gå helt tomt hvis det er innebygd, og slå deretter av.
- ◆ Fjern laderen fra stikkkontakten før du rengjør den. Laderen krever ikke annet vedlikehold enn regelmessig rengjøring.
- ◆ Rengjør ventilasjonsåpningene i apparatet/verktøyet/laderen jevnlig med en myk børste eller tørr klut.
- ◆ Rengjør motorhuset regelmessig med en fuktig klut. Ikke bruk slipende eller løsemiddelbaserte rengjøringsmidler.
- ◆ Åpne chucken regelmessig, og bank på den for å fjerne eventuelt støv fra innsiden (hvis det er aktuelt).

## Bytte nettstøpsel (gjelder bare Storbritannia og Irland)

Hvis det må settes på nytt nettstøpsel:

- ◆ Kast det gamle støpselet på en trygg måte.
- ◆ Koble den brune ledningen til den strømførende terminalen i det nye støpselet.
- ◆ Koble den blå ledningen til den nøytrale terminalen.

Advarsel! Du skal ikke koble til jordterminalen. Følg monteringsinstruksjonene som følger med støpsler av god kvalitet. Anbefalt sikring: 13 A.

## Miljø



Separat avfallshåndtering. Dette produktet må ikke kastes sammen med husholdningsavfall.

Hvis du synes Black & Decker-produktet bør skiftes ut, eller du ikke har bruk for det lenger, må du ikke kaste det sammen med husholdningsavfall. Sørg for separat avfallshåndtering for dette produktet.



Hvis brukte produkter og emballasje leveres atskilt, kan materialer resirkuleres og brukes på nytt. Gjenbruk av resirkulerte materialer bidrar til redusert miljøforurensning og reduserer behovet for råmaterialer.

Det kan være lokale bestemmelser for separat avfallshåndtering for elektriske produkter fra husstander på kommunale avfallsplasser eller hos forhandleren, når du kjøper et nytt produkt.

Black & Decker har en ordning for innsamling og resirkulering av Black & Decker-produkter som ikke skal brukes lenger. Du kan benytte denne tjenesten ved å levere produktet til et hvilket som helst autorisert serviceverksted.

Du kan finne ut hvor nærmeste autoriserte serviceverksted er, ved å kontakte din lokale Black & Decker-avdeling på adressen som er oppgitt i denne håndboken. En oversikt over autoriserte Black & Decker-serviceverksteder og alle opplysninger om ettersalgsservice og kontakter er også tilgjengelig på Internett: [www.2helpU.com](http://www.2helpU.com)

## Tekniske data

		KG701 (Type 1)	KG901 (Type 1)	KG902 (Type 1)
Inngangsspenning	V <sub>ac</sub>	230	230	230
Inn-effekt	W	710	900	900
Hastighet ubelastet	min <sup>-1</sup>	10,500	11,000	11,000
Skivediameter	mm	115	115	125
Hulldiameter skive	mm	22	22	22
Maks. skivetykkelse				
grovslibeskiver	mm	6	6	6
kutteskiver	mm	3,5	3,5	3,5
Spindelstørrelse		M14	M14	M14
Vekt	kg	2.1	2.1	2.1

$L_{pA}$ (lydtrykk) 92.6 dB(A), usikkerhet (K) 3 dB(A)
$L_{wA}$ (lydeffekt) 103.6 dB(A), usikkerhet (K) 3 dB(A)
<b>Totale vibrasjonsverdier (vektorsum fra tre retninger) bestemt i samsvar med EN 60745:</b>
Grovsliiping overflate ( $a_{h,SG}$ ) 9.9 m/s <sup>2</sup> , usikkerhet (K) 1.5 m/s <sup>2</sup>
Kutting ( $a_h$ ) 6.2 m/s <sup>2</sup> , usikkerhet (K) 1.5 m/s <sup>2</sup>
Polering ( $a_{h,p}$ ) 4.6 m/s <sup>2</sup> , usikkerhet (K) 1.5 m/s <sup>2</sup>
Finsliiping med skive ( $a_{h,DS}$ ) 9.6 m/s <sup>2</sup> , usikkerhet (K) 1.5 m/s <sup>2</sup>
Trådbørsting ( $a_h$ ) 10.2 m/s <sup>2</sup> , usikkerhet (K) 1.5 m/s <sup>2</sup>

### EF-samsvarserklæring MASKINDIREKTIV



KG701 / KG901 / KG902

Black & Decker erklærer at disse produktene som er beskrevet under "Tekniske data", er i samsvar med: 2006/42/EF, EN 60745-1, EN 60745-2-3

Disse produktene er også i samsvar med direktiv 2004/108/EF og 2011/65/EU.

Hvis du ønsker mer informasjon, kontakt Black & Decker på følgende adresse, eller se på baksiden av håndboken.

Undertegnede er ansvarlig for utarbeidelsen av den tekniske dokumentasjonen og gir denne erklæringen på vegne av Black & Decker.

Kevin Hewitt  
Vice-President Global Engineering  
Black & Decker Europe, 210 Bath Road, Slough  
Berkshire, SL1 3YD, Storbritannia  
30/03/2012

### Garanti

Black & Decker er trygg på kvaliteten på sine produkter og tilbyr en enestående garanti. Denne garantierklæringen kommer i tillegg til dine lovbestemte rettigheter og er ikke i konflikt med disse. Garantien er gyldig i EU- og EFTA-medlemsstatene.

Hvis et Black & Decker-produkt går i stykker på grunn av material- og/eller fabrikkasjonsfeil eller har mangler i forhold til spesifikasjonene innen 24 måneder fra kjøpet, påtar Black & Decker seg å skifte ut defekte deler, reparere produkter som har vært utsatt for alminnelig slitasje, eller bytte ut slike produkter med minst mulig vanskelighet for kunden, med mindre:

- ◆ Produktet har vært brukt i yrkes-/næringsvirksomhet eller til utleie.
- ◆ Produktet har vært utsatt for feilaktig bruk eller dårlig vedlikehold.
- ◆ Produktet har blitt skadet av fremmede gjenstander eller stoffer eller ved et uhell.
- ◆ Andre enn autoriserte serviceverksteder eller Black & Deckers serviceteknikere har forsøk å reparere produktet.

For å ta garantien i bruk må du vise kjøpskvitting til forhandleren eller til et autorisert serviceverksted. Du kan finne ut hvor nærmeste autoriserte serviceverksted er, ved å kontakte din lokale Black & Decker-avdeling på adressen som er oppgitt i denne håndboken. En oversikt over autoriserte Black & Decker-serviceverksteder og alle opplysninger om ettersalgsservice og kontakter er også tilgjengelig på Internett: [www.2helpU.com](http://www.2helpU.com)

Besøk vårt webområde [www.blackanddecker.no](http://www.blackanddecker.no) for å registrere ditt nye Black & Decker-produkt og for å holde deg oppdatert om nye produkter og spesialtilbud. Du finner mer informasjon om Black & Decker og produktutvalget vårt på [www.blackanddecker.no](http://www.blackanddecker.no).

## Anvendelsesområde

Din vinkelsliber fra Black & Decker er beregnet til slibning og skæring i metal og murværk med en skære- eller slibeskive af den relevante type. Dette værktøj er kun beregnet til hjemmebrug udstyret med den relevante skærm.

## Sikkerhedsanvisninger

### Generelle sikkerhedsadvarsler vedrørende elværktøj



**Advarsel!** Læs alle sikkerhedsadvarsler og instruktioner. Hvis nedenstående instruktioner og advarsler ikke følges, er der risiko for elektrisk stød, brand og/eller alvorlige personskader.

Gem alle advarsler og anvisninger til senere brug. Begrebet "elværktøj", der benyttes i nedenstående advarsler, henviser til netdrevet elværktøj (med netledning) eller batteridrevet elværktøj (uden netledning).

1. **Sikkerhed i arbejdsområdet**
  - a. Hold arbejdsområdet rent og ordentligt oplyst. Uordentlige og mørke områder øger faren for uheld.
  - b. Brug ikke elværktøj i eksplosive omgivelser, f.eks. hvor der er brændbare væsker, gasser eller støv. Elværktøj kan forårsage gnister, der kan antænde støv eller dampe.
  - c. Hold børn og andre personer på afstand, når elværktøjet er i brug. Du kan miste kontrollen over værktøjet, hvis du distraheres.
2. **Elektricitet og sikkerhed**
  - a. Elværktøjsstik skal passe til stikkontakten. Stikket må under ingen omstændigheder ændres. Brug ikke adapterstik sammen med jordforbundet elværktøj. Uændrede stik, der passer til stikkontakterne, nedsætter risikoen for elektrisk stød.
  - b. **Undgå kropskontakt med jordforbundne overflader** som f.eks. rør, radiatorer, komfurer og køleskabe. Hvis din krop er jordforbundet, øges risikoen for elektrisk stød.
  - c. Elværktøj må ikke udsættes for regn eller fugt. Indtrængen af vand i elværktøj øger risikoen for elektrisk stød.
  - d. **Ødelæg ikke ledningen.** Bær, træk eller afbryd ikke elværktøjet vha. ledningen. Beskyt ledningen mod varme, olie, skarpe kanter eller bevægelige dele. Beskadigede eller sammenfiltrede ledninger øger risikoen for elektrisk stød.
  - e. Hvis elværktøj benyttes i det fri, skal der benyttes en forlængerledning, som er godkendt til udendørs brug. Brug af en forlængerledning til udendørs brug nedsætter risikoen for elektrisk stød.
3. **Personlig sikkerhed**
  - a. Vær opmærksom, hold øje med, hvad du laver, og brug elværktøjet fornuftigt. Brug ikke et elværktøj, hvis du er træt eller påvirket af stoffer, medicin eller alkohol. Få sekundær uopmærksomhed ved brug af elværktøjet kan føre til alvorlige personskader.
  - b. Brug personlige værnemidler. Brug altid beskyttelsesbriller. Brug af værnemidler som f.eks. støvmaske, skridsikkert fodtøj, beskyttelseshjelm eller høreværn nedsætter risikoen for personskader, hvis udstyret anvendes korrekt.
  - c. Sørg for, at værktøjet ikke kan starte utilsigtet. Kontroller, at afbryderkontakten står på slukket, inden værktøjet tilsluttes strømkilden og/eller batteriet, samles op eller bæres. Bæres elværktøj, mens fingeren er på kontakten, eller tilsluttes det, mens kontakten står på tændt, kan der nemt ske en ulykke.
  - d. Fjern indstillingsværktøj eller skruenøgle, inden elværktøjet tændes. Et værktøj eller en nøgle, der efterlades i en roterende del i elværktøjet, kan resultere i personskader.
  - e. Stræk dig ikke for langt. Sørg for, at du altid har sikkert fodfæste og balance. Det gør det nemmere at kontrollere elværktøjet, hvis der skulle opstå uventede situationer.
  - f. Brug egnet arbejdstøj. Undgå løse beklædningsgenstande eller smykker. Hold hår, tøj og handsker væk fra dele, der bevæger sig. Bevægelige dele kan gribe fat i løstsiddende tøj, smykker eller langt hår.
  - g. Hvis støvudsugnings- og opsamlingsudstyr kan monteres, er det vigtigt, at dette tilsluttes og benyttes korrekt. Brug af udstyr til opsamling af støv kan nedsætte risikoen for støvrelateret personskade.
4. **Brug og vedligeholdelse af elværktøj**
  - a. Undgå at overbelaste elværktøjet. Brug altid det rette elværktøj til opgaven. Med det rigtige elværktøj udføres arbejdet lettere og sikrere og i det tempo, som værktøjet er beregnet til.
  - b. Brug ikke elværktøjet, hvis afbryderen er defekt. Elværktøj, der ikke kan reguleres med afbryderen, er farligt og skal repareres.
  - c. Træk stikket ud af stikkontakten og/eller batteriet inden indstilling, tilbehørsudskiftning eller opbevaring af elværktøjet. Disse sikkerhedsforanstaltninger reducerer risikoen for utilsigtet start af værktøjet.
- f. Brug en strømkilde med fejlstrømsbeskyttelse, hvis det er uundgåeligt at anvende elværktøj på fugtige steder. Med en fejlstrømsbeskyttelse reduceres risikoen for elektrisk stød.

- d. Opbevar ubenyttet elværktøj uden for børns rækkevidde. Lad aldrig personer, der ikke er fortrolige med elværktøj, eller som ikke har gennemlæst disse instrukser, benytte maskinen. Elværktøj er farligt, hvis det benyttes af ukundige personer.
- e. Elværktøj bør vedligeholdes omhyggeligt. Kontroller, om bevægelige dele er skæve og ikke sidder fast, og om delene er brækket eller beskadiget, så elværktøjets funktion påvirkes. Få beskadigede dele repareret, inden elværktøjet tages i brug. Mange uheld skyldes dårligt vedligeholdt elværktøj.
- f. Sørg for, at skæreværktøjer er skarpe og rene. Omhyggeligt vedligeholdt skæreværktøjer med skarpe skærekanter sætter sig ikke så hurtigt fast og er nemmere at styre.
- g. Brug elværktøjet, tilbehøret, indsatsværktøj osv. i overensstemmelse med disse instruktioner under hensyntagen til arbejdsforholdene og arbejdet, der skal udføres med værktøjet. I tilfælde af anvendelse af elværktøjet til formål, som ligger uden for det fastsatte anvendelsesområde, kan der opstå farlige situationer.
5. Service
- a. **Få altid elværktøjet repareret af kvalificerede fagfolk** med udelukkende identiske reservedele. Dermed opretholdes elværktøjets sikkerhed.

### Yderligere sikkerhedsadvarsler for elværktøj



Advarsel! Yderligere sikkerhedsadvarsler for slibning, pudsning, stålborstning, polering og slibende skærepogaver

- ◆ Dette elværktøj er beregnet til slibning, pudsning, stålborstning, polering eller skæring. Læs alle **sikkerhedsadvarsler, anvisninger, illustrationer og specifikationer**, der følger med elværktøjet. Hvis nedenstående instruktioner ikke følges, kan der opstå risiko for elektrisk stød, brand og/eller alvorlige personskader.
- ◆ Udførelse af opgaver, som elværktøjet ikke er beregnet til, kan udgøre en fare og forårsage personskade.
- ◆ **Brug ikke tilbehør, som ikke er specifikt beregnet til værktøjet og anbefalet af værktøjsproducenten.** Blot fordi et tilbehør kan monteres på elværktøjet, er det ikke nødvendigvis sikkert at bruge.
- ◆ Den nominelle hastighed for tilbehøret skal som minimum være lig den maksimale hastighed, der er angivet på elværktøjet. Tilbehør, der kører hurtigere end den nominelle hastighed, kan knække og flyve væk.
- ◆ Den udvendige diameter og tykkelsen af tilbehøret **skal ligge inden for elværktøjets ydelsesklassificering.** Tilbehør af forkert størrelse kan ikke afskærmes ordentligt og styres korrekt.
- ◆ **Skivernes referencetørrelse, flanger, bagklædningspuder eller andet tilbehør skal passe korrekt på elværktøjets spindel.** Tilbehør med referencehuller, der ikke passer til elværktøjets monteringsbeslag, kører ude af balance og vibrerer kraftigt, så du kan miste kontrollen.
- ◆ Brug ikke beskadiget tilbehør. Inspicer altid værktøjet før brug, f.eks. slibeskiver for spåner og revner, bagklædningspuder for revner, rifter eller kraftig slid, stålborster for løse eller knækkede træde. Hvis elværktøjet eller tilbehøret tabes, skal det inspiceres for skader, eller der skal monteres et ubeskadiget tilbehør. Efter inspektion og montering af et tilbehør skal elværktøjet køre med maksimal hastighed uden belastning i et minut. Beskadiget tilbehør går normalt fra hinanden under denne testkørsel.
- ◆ Brug personlige værnemidler. Bær ansigtsskærm eller sikkerhedsbriller afhængig af arbejdsopgaven. Bær støvmaske, hørevern, handsker og arbejdsforklæde, der kan stoppe små slibende dele eller dele fra arbejdsmenet, efter behov. Øjenbeskyttelsen skal kunne stoppe flyvende stumper, der opstår ved forskellige arbejdsopgaver. Støvmasken eller åndedrætsværnet skal kunne filtrere partikler, der opstår under arbejdet. Lang tids udsættelse for kraftig støj kan forårsage høretab.
- ◆ Hold omkringstående på sikker afstand af arbejdsområdet. Alle, der kommer ind i arbejdsområdet, skal bære personligt beskyttelsesudstyr. Stumper fra arbejdsmenet eller knækket tilbehør kan flyve væk og forårsage tilskadecomst ud over det umiddelbare arbejdsområde.
- ◆ **Hold altid i elværktøjets isolerede gribeblader,** hvis der er risiko for, at skæretilbehøret kommer i kontakt med skjulte ledninger eller værktøjets egen ledning. Skæretilbehør, der kommer i kontakt med en strømførende ledning, kan gøre elværktøjets uisolerede metaldele strømførende, så brugeren får stød.
- ◆ Hold ledningen væk fra det roterende tilbehør. Hvis du mister kontrollen, kan ledningen skæres over eller sætte sig fast, og din hånd eller arm kan trækkes ind i det roterende tilbehør.
- ◆ Læg aldrig elværktøjet fra dig, før tilbehøret står helt stille. Det roterende tilbehør kan få fat i overfladen og trække elværktøjet ud af hånden på dig.
- ◆ Lad ikke elværktøjet køre, mens du bærer på det. Hvis det roterende tilbehør ved et uheld får fat i dit tøj, kan tilbehøret blive trukket ind mod din krop.
- ◆ Rengør jævnligt elværktøjets ventilationsåbninger. Motorens ventilator trækker støv ind i huset, og kraftig ophobning af metalpulver kan medføre elektriske farer.
- ◆ Brug ikke elværktøjet i nærheden af brændbare materialer. Sådanne materialer kan antændes af gnister.

◆ **Brug ikke tilbehør, der kræver flydende kølemidler.**

Brug af vand eller andre kølemidler i væskeform kan medføre elektrisk stød med døden til følge.

Bemærk: Ovenstående advarsler gælder ikke for elværktøj, der er specifikt beregnet til brug med et væskesystem.

## Tilbageslag og tilhørende advarsler

Tilbageslag er en pludselig reaktion på en fastklemt eller fastsiddende roterende skive, bagklædningspudef, børste eller andet tilbehør. Fastklemning eller fastsiddende forårsager et hurtigt stop af det roterende tilbehør, som tvinger et ukontrolleret elværktøj i modsat retning af tilbehørets rotation på det sted, hvor det sidder fast.

Hvis f.eks. en slibeskive sidder fast eller kommer i klemme i arbejdsområdet, kan kanten af skiven, som går ind i fastklemningspunktet, grave sig ind i overfladen af materialet, så skiven smutter eller slås ud. Skiven kan enten hoppe mod eller væk fra brugeren afhængig af skivens bevægelsesretning på fastklemningspunktet. Slibeskiver kan også knække under disse omstændigheder.

Tilbageslag opstår som følge af forkert brug af elværktøjet, forkerte arbejdsprocedurer eller forhold, der kan undgås ved at træffe nedenstående forholdsregler.

- ◆ Hold godt fast i elværktøjet, og placer kroppen og armen, så du kan modstå tilbageslagskraften. Brug altid hjælpemåttet, hvis det medfølger, til at opnå maksimal kontrol over tilbageslag eller momentreaktion under start. Ved at træffe korrekte forholdsregler kan brugeren styre momentreaktion eller tilbageslagskraft.
- ◆ Placer aldrig hænderne i nærheden af det roterende tilbehør. Tilbehøret kan slå tilbage over din hånd.
- ◆ Placer ikke kroppen i det område, hvor elværktøjet evt. kan slå tilbage. Tilbageslag fører værktøjet i modsat retning af skivens bevægelse på fastsidningspunktet.
- ◆ Vær især forsigtig ved bearbejdning af hjørner, skarpe kanter etc. Undgå at tilbehøret hopper og sætter sig fast. Hjørner, skarpe kanter eller hop kan få det roterende tilbehør til at sætte sig fast, så du mister kontrollen, eller der opstår tilbageslag.
- ◆ Monter ikke en savkæde, et blad til træskærerarbejde eller et savblad med tænder. Ved sådanne blade opstår der hyppigt tilbageslag og mangel på styring.

## Specifikke sikkerhedsadvarsler for slibning og slibende skæreopgaver

- ◆ Brug kun skivetyper, der er anbefalet til dit elværktøj, samt den specifikke skærm, der er beregnet til den valgte skive. Skiver, som elværktøjet ikke er beregnet til, kan ikke afskærmes og er ikke sikre.

- ◆ Skærmen skal monteres sikkert på elværktøjet og placeres, så den yder maksimal sikkerhed, og den mindst mulige del af skiven er blottet mod brugeren. Skærmen beskytter brugeren mod afknækkede dele fra skiven og kontakt med skiven ved et uheld.
- ◆ Skiver må kun anvendes til anbefalede arbejdsopgaver. For eksempel må siden af skæreskiven ikke bruges til slibning. Slibende skæreskiver er beregnet til periferislibning. Sidekræfter på disse skiver kan få dem til at splintre.
- ◆ **Brug altid ubeskadigede skiveflanger af den korrekte størrelse og form til den valgte skive.** Korrekte skiveflanger støtter skiven og reducerer dermed risikoen for, at skiven knækker. Flanger til skæreskiver kan være forskellige fra flanger til slibeskiver.
- ◆ **Brug ikke nedslidte skiver fra større elværktøjer.** Skiver, der er beregnet til større elværktøjer, er ikke egnede til et mindre værktøjs højere hastighed og kan knække.

## Yderligere specifikke sikkerhedsadvarsler for slibende skæreopgaver

- ◆ Bloker ikke skæreskiven, og tryk ikke for hårdt. Forsøg ikke at skære meget dybt. Overbelastning af skiven forøger belastningen og risikoen for at skiven vrides eller sidder fast i snittet med risiko for tilbageslag eller skivebrud.
- ◆ Anbring ikke kroppen på linje med eller bag den roterende skive. Når skiven flyttes væk fra din krop på arbejdsområdet, kan et tilbageslag rette den roterende skive og elværktøjet direkte mod dig.
- ◆ Stop elværktøjet, og hold det stille, til skiven er helt stoppet, hvis skiven sætter sig fast, eller hvis arbejdet af en eller anden grund skal afbrydes. Forsøg aldrig at fjerne skæreskiven fra snittet, mens skiven bevæger sig; det kan medføre tilbageslag. Undersøg årsagen, og træf de fornødne forholdsregler, for at forhindre at skiven sætter sig fast.
- ◆ Begynd ikke at skære i arbejdsområdet igen. Lad skiven nå op på fuld hastighed, og sæt den derefter forsigtigt tilbage i snittet igen. Skiven kan sætte sig fast, arbejde sig op eller slå tilbage, hvis elværktøjet startes med skiven i arbejdsområdet.
- ◆ Understøt paneler eller andre store arbejdsområder, for at minimere risikoen for at skiven klemmes fast og slår tilbage. Store arbejdsområder har en tendens til at bøje pga. deres vægt. Understøttelsen skal anbringes under arbejdsområdet i begge sider i nærheden af skærestedet og i nærheden af arbejdsområdets kant.

- ◆ Vær især forsigtig, hvis der foretages et indstik i eksisterende vægge eller andre steder, hvor du ikke kan se, hvad du skærer i. Den fremspringende del af skiven kan skære i gas- eller vandrør, elledninger eller genstande, der kan forårsage tilbagelag.

### Specifikke sikkerhedsadvarsler for pudseopgaver

- ◆ Brug ikke slibeskivepapir, der er alt for stort. Følg producentens anbefalinger ved valg af slibepapir. Store stykker sandpapir, der rager ud over slibepuden, kan blive flænget og forårsage fastklemning, brud på skiven eller tilbagelag.

### Specifikke sikkerhedsadvarsler for poleringsopgaver

- ◆ Lad ikke eventuelle løse dele af poleringshætten eller dens monteringsnøre rotere frit. Stop løse monteringsnøre ind, eller klip dem af. Løse og roterende monteringsnøre kan vikle sig om dine fingre eller sætte sig fast i arbejdsemnet.

### Specifikke sikkerhedsadvarsler for stålborstning-sopgaver

- ◆ Vær opmærksom på, at der kastes ståltråde af børsten også under almindelig brug. Overbelast ikke trådene ved at trykke hårdt på børsten. Ståltrådene kan let gå gennem tyndt tøj og/eller huden.
- ◆ Hvis brugen af en skærm anbefales ved stålborstning, må trådskenen eller børsten ikke berøre skærmen. Trådskenens eller børstens diameter kan udvides pga. arbejdsbelastning og centrifugalkraft.

### Andres sikkerhed

- ◆ Dette apparat må ikke bruges af personer (herunder børn) med nedsatte fysiske, sensoriske eller mentale evner eller manglende erfaring og viden, med mindre det sker under overvågning, eller der gives instruktion i brugen af apparatet af en person, der er ansvarlig for deres sikkerhed.
- ◆ Børn skal holdes under opsyn, så det sikres, at de ikke leger med værktøjet.

### Restrisici.

Der kan opstå yderligere restrisici under brugen af værktøjet, som ikke kan medtages i vedlagte sikkerhedsadvarsler. Disse restrisici kan opstå pga. forkert anvendelse, langvarig brug etc. Selv ved overholdelse af relevante sikkerhedsforskrifter og anvendelse af sikkerhedsudstyr kan visse restrisici ikke undgås. Disse omfatter:

- ◆ Tilskadekomst forårsaget af berøring af roterende/bevægelige dele.
- ◆ Tilskadekomst forårsaget af udskiftning af dele, blade eller tilbehør.

- ◆ Tilskadekomst forårsaget af langvarig brug af et værktøj. Husk at holde pause jævnlige ved brug af et værktøj i længere tid.
- ◆ Høreskader.
- ◆ Sundhedsrisici forårsaget af indånding af støv, der genereres ved brug af værktøjet (eksempel: Arbejde med træ, især, eg, bøg og MDF).

### Vibration

De angivne værdier for udsendelse af vibration opført under de tekniske data og overensstemmelseserklæringen er målt i henhold til standardtestmetoden anført i EN 60745 og kan bruges til at sammenligne ét værktøj med et andet. Den angivne værdi for udsendelse af vibration kan også bruges som en foreløbig vurdering af eksponeringen.

**Advarsel!** Værdien for udsendelse af vibration ved faktisk brug af elværktøjet kan afvige fra den angivne værdi afhængig af måden, værktøjet anvendes på. Vibrationsniveauet kan overstige det angivne niveau.

I vurderingen af eksponeringen for vibration med henblik på fastsættelse af sikkerhedsforanstaltninger som krævet i 2002/44/EC til beskyttelse af personer, der jævnligt anvender elværktøj i deres arbejde, skal der tages hensyn til de faktiske betingelser under brugen, og måden værktøjet bruges på, herunder alle arbejdsrytters elementer, f.eks. perioder, hvor værktøjet er slukket og kører i tomgang tillige med startperioderne.

### Mærkatet på værktøjet

Følgende symboler er anbragt på værktøjet:



Advarsel! Brugeren skal læse brugervejledningen for at reducere risikoen for tilskadekomst.



Bær beskyttelses- eller sikkerhedsbriller, når du bruger dette værktøj.



Brug høreværn, når du bruger dette værktøj.

### Elektricitet og sikkerhed



Denne maskine er dobbelt isoleret. Derfor er en jordledning ikke nødvendig. Kontroller altid, at strømforsyningen svarer til spændingen på typeskiltet.

- ◆ Hvis netledningen beskadiges, skal den udskiftes af producenten eller et autoriseret Black & Decker-værksted, så farlige situationer undgås.



## Funktioner

Dette værktøj leveres med nogle eller alle de følgende egenskaber.

1. Afbryderkontakt
2. Sidehåndtag
3. Spindellås
4. Skærm

## Montering

Advarsel! Kontroller før montering, at værktøjet er slukket, og at ledningen er taget ud af stikkontakten.

### Montering og afmontering af skærmen (fig. A)

Med værktøjet følger en skærm kun beregnet til slibeopgaver. Hvis apparatet skal bruges til skærearbejde, skal der monteres en særligt skærm til denne type arbejde. En egnet skærm til skærearbejde, delnr. 1004484-06 til KG701/KG901 og 1004484-07 til KG902, kan fås hos Black & Decker-servicecentre.

### Montering

- ◆ Anbring værktøjet på et bord med spindlen (5) opad.
- ◆ Frigør spændelåsen (7), og hold skærmen (4) over værktøjet som vist.
- ◆ Ret knopperne (8) ind efter rillerne (9).
- ◆ Tryk skærmen ned, og drej den mod uret til den ønskede position.
- ◆ Spænd spændelåsen (7) for at holde skærmen fast på værktøjet.
- ◆ Spænd om nødvendigt skruen (6) for at øge spændekraften.

### Afmontering

- ◆ Frigør spændelåsen (7).
- ◆ Drej skærmen med uret for at sætte knopperne (8) ud for rillerne (9).
- ◆ Fjern skærmen fra værktøjet.

Advarsel! Brug aldrig værktøjet uden monteret skærm.

### Montering af sidehåndtaget

- ◆ Skru sidehåndtaget (2) ind i et af monteringshulleerne på værktøjet.

Advarsel! Brug altid sidehåndtaget.

### Montering og afmontering af slibe- og skæreskiver (fig. B - D)

Brug altid den korrekte type skive til opgaven. Brug altid skiver med den korrekte diameter og hulstørrelse (se tekniske data).

### Montering

- ◆ Monter skærmen som beskrevet ovenfor.

- ◆ Placer den indvendige flange (10) på spindlen (5) som vist (fig. B). Kontroller, at flangen er placeret korrekt på spindlens flade sider.
- ◆ Placer skiven (11) på spindlen (5) som vist (fig. B). Hvis skiven har en forhøjning på midten (12), skal den ligge mod den indvendige flange.
- ◆ Kontroller, at skiven ligger korrekt på den indvendige flange.
- ◆ Placer den udvendige flange (13) på spindlen. Ved montering af en slibeskive, skal forhøjningen på midten af den udvendige flange vende mod skiven (A i fig. C). Ved montering af en skæreskive, skal forhøjningen på midten af den udvendige flange vende væk fra skiven (B i fig. C).
- ◆ Hold spindellåsen (3) nede, og spænd den udvendige flange med den tobenede skrueøgle(14) (fig. D).

### Afmontering

- ◆ Hold spindellåsen (3) nede, og løsn den udvendige flange (13) med den tobenede skrueøgle(14) (fig. D).
- ◆ Afmonter den udvendige flange (13) og skiven (11).

### Montering og afmontering af pudseskiver (fig. D og E)

Pudseskiver kræver en bagklædningspudder. Bagklædningspudden kan fås fra din Black & Decker-forhandler som tilbehør.

### Montering

- ◆ Placer den indvendige flange (10) på spindlen (5) som vist (fig. E). Kontroller, at flangen er placeret korrekt på spindlens flade sider.
- ◆ Placer bagklædningspudden (15) på spindlen.
- ◆ Sæt pudseskiven (16) på bagklædningspudden.
- ◆ Placer den udvendige flange (13) på spindlen, så forhøjningen på midten peger væk fra skiven.
- ◆ Hold spindellåsen (3) nede, og spænd den udvendige flange med den tobenede skrueøgle(14) (fig. D). Kontroller, at den udvendige flange er monteret korrekt, og at skiven er spændt fast.

### Afmontering

- ◆ Hold spindellåsen (3) nede, og løsn den udvendige flange (13) med den tobenede skrueøgle(14) (fig. D).
- ◆ Afmonter den udvendige flange (13), pudseskiven (16) og bagklædningspudden (15).

### Anvendelse

Advarsel! Lad værktøjet arbejde i dets eget tempo. Det må ikke overbelastes.

- ◆ Styr omhyggeligt ledningen, så du ikke skærer den over ved et uheld.
- ◆ Vær forberedt på en strøm af gnister, når slibe- eller skæreskiven rører arbejdsemnet.

- ◆ Placer altid værktøjet, så skærmen yder optimal beskyttelse mod slibe- eller skæreskiven.

## Start og stop

- ◆ Tænd ved at skubbe afbryderkontakten (1) fremad. Bemærk, at værktøjet fortsætter med at køre, når du slipper kontakten.
- ◆ Sluk ved at trykke på den bageste del af afbryderkontakten.

**Advarsel!** Stop ikke værktøjet, mens det er under belastning.

## Gode råd til optimal brug

- ◆ Hold fast i værktøjet med den ene hånd om sidehåndtaget og den anden hånd om hovedhåndtaget.
- ◆ Ved slibning skal der altid være en vinkel på ca. 15° mellem skiven og arbejdsfladens overflade.

## Vedligeholdelse

Dit Black & Decker-apparat/værktøj med eller uden ledning er beregnet til brug gennem lang tid med et minimum af vedligeholdelse. Fortsat tilfredsstillende drift afhænger af korrekt behandling af værktøjet samt regelmæssig rengøring.

**Advarsel!** Før udførelse af nogen form for vedligeholdelse på elværktøj med/uden ledning:

- ◆ Sluk, og tag apparatets/værktøjets stik ud af stikkontakten.
- ◆ Eller sluk og fjern batteriet fra apparatet/værktøjet, hvis det har en separat batteripakke.
- ◆ Eller aflad batteriet helt, hvis det er indbygget, og sluk derefter.
- ◆ Træk laderen ud af stikkontakten, før den rengøres. Laderen kræver ingen vedligeholdelse, men skal rengøres jævnligt.
- ◆ Rengør jævnligt apparatets/værktøjets/laderens ventilationshuller med en blød børste eller en tør klud.
- ◆ Rengør med jævne mellemrum motorhuset med en fugtig klud. Der må ikke bruges skuremidler eller opløsningsmidler.
- ◆ Åbn jævnligt patronen, og bank på den for at fjerne indvendigt støv (hvis monteret).

## Udskiftning af stik (kun Storbritannien og Irland)

Sådan monteres et nyt stik:

- ◆ Det gamle stik skal bortskaffes på en sikker måde.
- ◆ Slut den brune ledning til den strømførende klemme på det nye stik.
- ◆ Slut den blå ledning til den neutrale klemme.

**Advarsel!** Der skal ikke foretages nogen tilslutning til jordklemmen. Følg de monteringsanvisninger, der leveres sammen med kvalitetsstik. Anbefalet sikring: 13 A.

## Miljøbeskyttelse



Separat bortskaffelse. Dette produkt må ikke bortskaffes sammen med almindeligt husholdningssaffald.

Når dit Black & Decker-produkt en dag er udtjent, eller du ikke længere har brug for det, må du ikke smide det ud sammen med det almindelige affald. Produktet skal bortskaffes separat.



Ved separat bortskaffelse af brugte produkter og emballage bliver der mulighed for at genanvende forskellige materialer. Genanvendelse af materialer medvirker til at forebygge miljøforurening og mindsker behovet for råstoffer.

Lokal lovgivning kan kræve separat indsamling af elektriske husholdningsapparater på kommunale affaldsdepoter eller af den detailhandlende ved køb af et nyt produkt.

Black & Decker sørger for at indsamle og genanvende Black & Decker-produkter, når disse ikke længere kan bruges. Hvis du vil benytte dig af denne service, skal du returnere produktet til et autoriseret værksted, der indsamler produkterne for os.

Kontakt det lokale Black & Decker-kontor på den adresse, der er angivet i denne vejledning, for at få oplysninger om nærmeste autoriserede værksted. En liste over alle autoriserede Black & Decker-serviceværksteder samt servicevilkår og kontaktpersoner er tilgængelig på internettet på adressen: [www.2helpU.com](http://www.2helpU.com)

## Tekniske data

		KG701 (Type 1)	KG901 (Type 1)	KG902 (Type 1)
Indgangsspænding	V <sub>ac</sub>	230	230	230
Motoreffekt	W	710	900	900
Hastighed uden belastning	min <sup>-1</sup>	10,500	11,000	11,000
Skivediameter	mm	115	115	125
Skivehul	mm	22	22	22
Maks. skivetykkelse				
slibeskiver	mm	6	6	6
skæreskiver	mm	3.5	3.5	3.5
Spindelstørrelse		M14	M14	M14
Vægt	kg	2.1	2.1	2.1

L <sub>PA</sub> (lydtryk) 92.6 dB(A), usikkerhed (K) 3 dB(A)
L <sub>WA</sub> (lydeffekt) 103.6 dB(A), usikkerhed (K) 3 dB(A)
Samlede værdier for vibration (triaksial vektorsum) i henhold til EN 60745:
Overfladeslibning (a <sub>h,SG</sub> ) 9.9 m/s <sup>2</sup> , usikkerhed (K) 1.5 m/s <sup>2</sup>
Afskæring (a <sub>h</sub> ) 6.2 m/s <sup>2</sup> , usikkerhed (K) 1.5 m/s <sup>2</sup>
Polering (a <sub>h,P</sub> ) 4.6 m/s <sup>2</sup> , usikkerhed (K) 1.5 m/s <sup>2</sup>
Skivepudsning (a <sub>h,DS</sub> ) 9.6 m/s <sup>2</sup> , usikkerhed (K) 1.5 m/s <sup>2</sup>
Stålbørstning (a <sub>h</sub> ) 10.2 m/s <sup>2</sup> , usikkerhed (K) 1.5 m/s <sup>2</sup>

## EF-overensstemmelseserklæring

MASKINDIREKTIV



KG701 / KG901 / KG902

Black & Decker erklærer, at produkterne beskrevet under "Tekniske data" er i overensstemmelse med: 2006/42/EF, EN 60745-1, EN 60745-2-3

Disse produkter er endvidere i overensstemmelse med direktiv 2004/108/EF og 2011/65/EU.

Kontakt Black & Decker på nedenstående adresse, eller se vejledningens bagside for at få flere oplysninger. Undertegnede er ansvarlig for udarbejdelsen af de tekniske data og fremsætter denne erklæring på vegne af Black & Decker.

Kevin Hewitt

Vice-President Global Engineering  
Black & Decker Europe, 210 Bath Road, Slough,  
Berkshire, SL1 3YD, Storbritannien  
30/03/2012

## Garanti

Black & Decker garanterer, at produktet er fri for skader og fejl og tilbyder en fremragende garanti. Garantien er et tillæg til forbrugerens lovsikrede rettigheder og påvirker ikke disse. Garantien gælder inden for medlemsstaterne af den Europæiske Union og i det Europæiske Frihandelsområde.

Hvis et Black & Decker-produkt går i stykker på grund af materiel skade og/eller fabrikationsfejl eller på anden måde ikke fungerer i overensstemmelse med specifikationen inden for 24 måneder fra købsdatoen, påtager Black & Decker sig at reparere eller ombytte produktet med mindst mulig ulempe for kunden. Garantien gælder ikke for fejl og mangler, der er sket i forbindelse med:

- ◆ Produktet har været anvendt erhvervsmæssigt eller til udlejning.
- ◆ Produktet har været anvendt forkert eller er ikke vedligeholdt.
- ◆ Produktet er beskadiget af fremmedlegemer, substanser eller pga. uheld.
- ◆ Garantien gælder ikke, hvis reparationer er udført af andre end et autoriseret Black & Decker-værksted.

For at udnytte garantien skal produktet og købskvitteringen indleveres til forhandleren eller til et autoriseret værksted. Kontakt det lokale Black & Decker-kontor på den adresse, der er angivet i denne vejledning, for at få oplysninger om nærmeste autoriserede værksted. En liste over alle autoriserede Black & Decker-serviceværksteder samt servicevilkår og kontaktpersoner er tilgængelig på internettet på adressen: [www.2helpU.com](http://www.2helpU.com)

Gå venligst ind på vores website [www.blackanddecker.dk](http://www.blackanddecker.dk) for at registrere dit nye produkt og for at blive holdt ajour om nye produkter og specialtilbud. Der findes yderligere oplysninger om mærket Black & Decker og vores produktsortiment på adressen [www.blackanddecker.dk](http://www.blackanddecker.dk)

## Käyttötarkoitus

Black & Deckerin kulmahiomakone on tarkoitettu metallin ja kiven leikkaamiseen käyttäen sopivaa katkaisu- tai hiomalaikkaa. Sopivalla suojuksella varustettuna työkalu on tarkoitettu vain kotikäyttöön.

## Turvallisuusohjeet

### Sähkötyökalujen yleiset turvavaroitukset



**Varoitus!** Lue kaikki turvavaroitukset ja ohjeet. Alla olevien varoitusten ja ohjeiden noudattamisen laiminlyönti saattaa johtaa sähköiskuun, tulipaloon ja/tai vakavaan loukkaantumiseen.

Säästä kaikki varoitukset ja ohjeet tulevaa käyttöä varten. Ohjeissa käytetty käsite "sähkötyökalu" tarkoittaa verkkoikäyttöisiä sähkötyökaluja (verkkojohdolla varustettuja) ja akkukäyttöisiä sähkötyökaluja (ilman verkkojohdtoa).

#### 1. Työalueen turvallisuus

- Pidä työskentelyalue puhtaana ja hyvin valaistuna. Työpaikan epäjärjestys tai valaisemattomat työalueet voivat johtaa tapaturmiin.
- Älä käytä sähkötyökalua räjähdysalttiissa ympäristössä, jossa on palavaa nestettä, kaasua tai pölyä. Sähkötyökalu saa aikaan kipinöitä, jotka saattavat sytyttää pölyn tai höyryt.
- Pidä lapset ja sivulliset loitolla sähkötyökalua käyttäessäsi. Voit menettää laitteen hallinnan, jos huomiosi suuntautuu muualle.

#### 2. Sähköturvallisuus

- Sähkötyökalun pistokkeen on sovitava pistorasiaan. Pistoketta ei saa muuttaa millään tavalla. Älä käytä mitään pistorasiasovittimia maadoitettujen sähkötyökalujen kanssa. Alkuperäiset pistokkeet ja niille sopivat pistorasiat vähentävät sähköiskun vaaraa.
- Vältä koskettamasta maadoitettuja pintoja, kuten putkia, pattereita, liesiä tai jääkaappeja. Sähköiskun vaara kasvaa, jos kehosi on maadoitettu.
- Älä altista sähkötyökalua sateelle tai kosteudelle. Veden tunkeutuminen sähkötyökalun sisään lisää sähköiskun riskiä.
- Älä käsittele virtajohtoa kovakouraisesti. Älä käytä sitä sähkötyökalun kantamiseen, vetämiseen tai pistokkeen irrottamiseen pistorasiasta. Pidä johto loitolla kuumuudesta, öljystä, terävistä reunoista ja liikkuvista osista. Vahingoittuneet tai sotkeutuneet johdot lisäävät sähköiskun vaaraa.

- Käyttäessäsi sähkötyökalua ulkona käytä ainoastaan ulkokäyttöön soveltuvaa jatkojohtoa. Ulkokäyttöön soveltuvan jatkojohtoon käyttö pienentää sähköiskun vaaraa.
- Jos sähkötyökalua on välttämättä käytettävä kosteassa paikassa, käytä jännösvirtalaitteella (RCD) suojattua virtalähdettä. Jännösvirtalaitteen käyttö vähentää sähköiskun vaaraa.

#### 3. Henkilöturvallisuus

- Keskity työskentelyysi ja noudata tervettä järkeä käyttäessäsi sähkötyökaluja. Älä käytä sähkötyökalua, jos olet väsynyt tai huumeiden, alkoholin tai lääkkeiden vaikutuksen alaisena. Hetken tarkkaamattomuus sähkötyökalua käytettäessä saattaa johtaa vakavaan loukkaantumiseen.
- Käytä henkilökohtaisia suojarusteita. Käytä aina suojalaseja. Suojarusteet, kuten hengityssuojain, luistamattomat turvajalkineet, kypärä ja kuulosuojaimet, pienentävät loukkaantumisriskiä, jos niitä käytetään tilanteen mukaan oikein.
- Vältä tahatonta käynnistämistä. Varmista, että kytkin on OFF-asennossa, ennen kuin liität laitteen virtalähteeseen ja/tai akkuun, nostat laitteen tai kannat sitä. Onnettomuusvaara lisääntyy, jos kannat sähkötyökalua somi käyttökylkimellä tai kytket työkalun virtajohtoon pistorasiaan, kun käyttökylkin on päällä.
- Irrota mahdollinen säätö- tai kiintoavain, ennen kuin käynnistät sahan. Sahan pyöriivään osaan kiinni jäänyt avain voi johtaa loukkaantumiseen.
- Älä kurkota liian kauas. Seiso aina tukevasti ja tasapainossa. Tällöin voit paremmin hallita sähkötyökalua yllättävissä tilanteissa.
- Käytä tarkoitukseen soveltuvia vaatteita. Älä käytä löysiä työvaatteita tai koruja. Pidä hiukset, vaatteet ja käsineet loitolla liikkuvista osista. Väljät vaatteet, korut ja pitkät hiukset voivat takertua liikkuviin osiin.
- Jos laitteeseen voi kiinnittää pölynkerääjän tai -imurin, tarkista, että se on paikallaan ja että se toimii kunnolla. Pölyimurin käyttö voi vähentää pölyn aiheuttamia vaaroja.

#### 4. Sähkötyökalujen käyttö ja hoito

- Älä ylikuormita sähkötyökalua. Käytä kyseiseen työhön tarkoitettua sähkötyökalua. Sopivaa sähkötyökalua käyttäen työskentelet paremmin ja turvallisemmin tehoalueella, jolle sähkötyökalu on tarkoitettu.
- Älä käytä sähkötyökalua, jota ei voida käynnistää ja pysäyttää virtakytkimestä. Jos sähkötyökalua ei voi käynnistää ja pysäyttää virtakytkimellä, se on vaarallinen ja se täytyy korjata.

- c. Irrota pistotulppa pistorasiasta ja/tai akku laitteesta, ennen kuin suoritat säätöjä, vaihdat tarvikkeita tai siirrä sähkötyökalun varastoitavaksi. Nämä turvatoimenpiteet pienentävät sähkötyökalun tahattoman käynnistämisen riskiä.
- d. Säilytä sähkötyökalut poissa lasten ulottuvilta, kun niitä ei käytetä. Älä anna sähkötyökalua sellaisen henkilön käyttöön, joka ei tunne sitä tai joka ei ole tutustunut tähän käyttöohjeeseen. Sähkötyökalut ovat vaarallisia kokemattoman käyttäjän käsissä.
- e. Hoida sähkötyökalusi huolella. Tarkista, että liikkuvat osat toimivat moitteettomasti ja etteivät ne ole puristuksessa. Tarkista myös, ettei työkalussa ei ole murtuneita tai vahingoittuneita osia, jotka saattaisivat vaikuttaa haitallisesti sen toimintaan. Korjauta mahdolliset viat ennen käyttöönottoa. Moni tapaturma aiheutuu huonosti huolletuista laitteista.
- f. Pidä leikkausterät terävinä ja puhtaina. Huolellisesti hoidettu, terävä saha ei tartu herkästi kiinni, ja sitä on helpompi hallita.
- g. Käytä sähkötyökaluja, tarvikkeita, vaihtotyökaluja jne. näiden ohjeiden mukaisesti. Ota tällöin huomioon työolosuhteet ja suoritettava toimenpide. Sähkötyökalun käyttö muuhun kuin sille määrättyyn käyttöön saattaa johtaa vaarallisiin tilanteisiin.
5. Huolto
- a. Korjauta sähkötyökalu koulutetulla ja ammattitaitoisella henkilöllä ja hyväksy korjauksiin vain alkuperäisiä varaosia. Siten varmistat, että sähkötyökalu säilyy turvallisena.

## Sähkötyökalujen lisäturvavaroitukset



**Varoitus!** Hiomista, teräsharjan käyttöä, kiillottamista tai hiovaa katkaisemista koskevat lisäturvavaroitukset

- ◆ Tämä sähkötyökalu on tarkoitettu käytettäväksi hiomakoneena, teräsharjana, kiillotuskoneena tai leikkaustyökaluna. Lue kaikki sähkötyökalun mukana toimitettavat turvavaroitukset, ohjeet, kuvat ja tekniset tiedot. Alla olevien ohjeiden noudattamisen laiminlyönti saattaa johtaa sähköiskuun, tulipaloon ja/tai vakavaan loukkaantumiseen.
- ◆ Sähkötyökalun käyttäminen muihin tarkoituksiin kuin mihin se on suunniteltu voi johtaa vaaratilanteisiin ja aiheuttaa henkilövahinkoja.
- ◆ Älä käytä muita kuin valmistajan suunnittelemaa ja suosittelemaa lisävarusteita. Se, että lisävaruste voidaan kiinnittää sähkötyökaluun, ei takaa turvallista käyttöä.
- ◆ Lisävarusteen nimellisnopeuden on oltava vähintään yhtä suuri kuin sähkötyökaluun merkitty nimellisnopeus. Nimellisnopeuttaan nopeammin toimivat lisävarusteet voivat rikkoutua ja sinkoilla.
- ◆ Lisävarusteen ulkohalkaisijan ja paksuuden on vastattava sähkötyökalun kapasiteettirajoitusta. Väärän kokoisia lisävarusteita ei voi asianmukaisesti suojata tai hallita.
- ◆ Laikkojen, laippojen, tukilaippojen tai muiden lisävarusteiden karakoon on vastattava tarkasti sähkötyökalun karaa. Lisävarusteet, joiden kara-aukko ei vastaa sähkötyökalun kiinnityslaitetta, pyörivät epäkeskisesti, tärisevät voimakkaasti ja voivat johtaa hallinnan menettämiseen.
- ◆ Älä käytä vahingoittunutta lisävarustetta. Tarkista lisävarusteet ennen jokaista käyttökertaa, hiomalaikka lohkeamien ja murtumien, tukilaippa murtumien, repeytymien tai liiallisen kulumisen, teräsharja irronneiden tai murtuneiden harjasten varalta. Jos sähkötyökalu tai lisävaruste putoaa, tarkista se vahinkojen varalta tai asenna vahingoittumaton lisävaruste. Käytä sähkötyökalua lisävarusteen tarkistamisen ja asentamisen jälkeen suurimmalla kuormittamattomalla nopeudella yhden minuutin ajan. Vahingoittuneet lisävarusteet rikkoutuvat tavallisesti tämän kokeilujakson aikana.
- ◆ Käytä henkilökohtaisia suojarusteita. Käytä työn mukaan kasv suojusta tai turvalaseja. Käytä tarvittaessa hengityssuojainta, kuulosuojaimia, käsineitä tai esiliinaa, joilla voit suojautua pieniä hioma- tai työkappaleita vastaan. Silmät on suojattava niin, että niihin ei pääse eri töitä suoritettaessa syntyviä sinkoilevia roskia. Hengityssuojaimen on pystyttävä suodattamaan työn aikana syntyvät hiukset. Pitkäaikainen altistuminen voimakkaalle melulle voi aiheuttaa kuulovaurioita.
- ◆ Pidä sivulliset turvallisen etäisyyden päässä työalueesta. Työalueella on käytettävä henkilökohtaisia suojarusteita. Työkappaleen tai rikkoutuneen lisävarusteen palaset voivat sinkoilla ja aiheuttaa henkilövahinkoja työkalun välittömän käyttöalueen ulkopuolella.
- ◆ Pitele sähkötyökalua vain eristetyistä tartuntapinnoista, kun teet työtä, jossa työkalu voi joutua kosketuksiin piilossa olevien sähköjohtojen tai oman virtajohtonsa kanssa. Jännitteisen johdon katkaiseminen voi tehdä sähkötyökalun paljaista metalliosista jännitteisiä ja aiheuttaa sähköiskun käyttäjälle.
- ◆ Pidä johto kaukana pyörivästä lisävarusteesta. Jos menetät työkalun hallinnan, johto voi leikkautua tai repeytyä ja kätesi tai käsivartesi voi joutua pyörivän lisävarusteen tielle.

- ◆ Älä koskaan laske sähkötyökaluja alas, ennen kuin lisävaruste on pysähtynyt kokonaan. Pyörivä lisävaruste voi tarttua pintaan, jolloin voit menettää sähkötyökäluhallinnan.
- ◆ Älä käytä sähkötyökaluja, kun kuljetat sitä sivullasi. Pyörivä lisävaruste voi vahingossa tarttua vaatteisiin ja vetää lisävarusteen vartaloosi.
- ◆ Puhdista sähkötyökäluun ilma-aukot säännöllisesti. Moottorin tuuletin imee pölyn kotelon sisälle, ja metallijauhon liiallinen kertyminen voi johtaa sähköön liittyviin vaaratilanteisiin.
- ◆ Älä käytä sähkötyökaluja helposti syttyvien aineiden läheisyydessä. Kipinät voivat sytyttää nämä aineet.
- ◆ Älä käytä nestemäisiä jäähdytysaineita vaativia lisävarusteita. Veden tai muiden nestemäisten jäähdytysaineiden käyttö voi aiheuttaa jopa tappavan sähköiskun.

**Huomautus:** Edellinen varoitus ei koske sähkötyökaluja, jotka on suunniteltu käytettäväksi nestejäähdytysjärjestelmän kanssa.

### Takapotku ja siihen liittyvät varoitukset

Takapotku on äkillinen reaktio, joka johtuu kiinni tarttuneesta laikasta, tukilaipasta, harjasta tai muusta lisävarusteesta. Kun pyörivä lisävaruste juuttuu tai tarttuu kiinni, se pysähtyy nopeasti, minkä seurauksena hallitsematon sähkötyökälu iskeytyy jumiumiskohdassa pyörimissuunnan vastaiseen suuntaan.

Esimerkiksi jos hiomalaikka tarttuu kiinni työkappaleeseen, laikan puristumiskohdassa oleva reuna voi pureutua aineen pintaan, jolloin laikka voi kiivetä ylös tai iskeytyä ulos. Laikka voi hypähtää käyttäjää kohti tai hänestä pois päin sen mukaan, mihin suuntaan laikka puristumiskohdassa liikkuu. Hiomalaikat voivat tällöin myös rikkoutua.

Takapotku on seuraus sähkötyökäluun vääristä käyttötavoista tai -olosuhteista ja sen voi välttää noudattamalla alla kuvattuja varotoimia.

- ◆ Pitele sähkötyökaluja tukevasti ja asetu sellaiseen asentoon, että voit vastustaa takapotkua. Käytä aina apukahvaa, jos sellainen toimitetaan sähkötyökäluun mukana. Sen avulla voit hallita takapotkua tai vääntömomenttireaktiota käynnistyksen aikana parhaalla mahdollisella tavalla. Käyttäjää pystyy vastustamaan vääntömomenttireaktiota tai takapotkun voimaa ryhtymällä asianmukaisiin varoimenpiteisiin.
- ◆ Älä koskaan pidä käsiäsi pyörivän lisävarusteen lähellä. Lisävaruste voi takapotkun seurauksena iskeytyä käteesi.
- ◆ Älä aseta vartaloasi alueelle, jolla sähkötyökälu liikkuu takapotkun ilmetessä. Takapotku pakottaa työkalun jumiumiskohdassa laikan liikesuunnan vastaiseen suuntaan.

- ◆ Ole erityisen varovainen, kun työstät esimerkiksi kulmia tai teräviä reunoja. Varo, ettei lisävaruste pääse pommipimaan tai jumiumimaan. Kulmat, terävät reunat tai pommipiminen voivat saada pyörivän lisävarusteen jumiumimaan ja johtaa hallinnan menettämiseen tai takapotkuun.
- ◆ Älä kiinnitä työkaluun ketjusahan puunkaiverrusterää tai hammastettua sahanterää. Nämä terät aiheuttavat usein takapotkun ja johtavat hallinnan menettämiseen.

### Hiomista ja hiovaa katkaisemista koskevat turva- varoitukset

- ◆ Käytä vain sähkötyökäluun suositeltuja laikkatyyppejä ja erityisesti valittua laikkaa varten suunniteltua suojusta. Muita kuin sähkötyökäluja varten suunniteltuja laikkoja ei voi suojata riittävästi, joten ne eivät ole turvallisia.
- ◆ Suojus on kiinnitettävä kunnolla sähkötyökäluun ja sijoitettava parasta mahdollista käyttöturvallisuutta ajatellen niin, että mahdollisimman pieni osa laikasta on paljaana käyttäjään päin. Suojus varjelee käyttäjää myös laikasta irtoavilta sirpaleilta ja laikan koskettamiselta vahingossa.
- ◆ Laikkoja saa käyttää vain suositeltuihin käyttö-tarkoituksiin. Esimerkki: älä esimerkiksi hio katkaisulaikan reunalla. Hiovat katkaisulaikat on tarkoitettu reunojen hiontaan. Näihin katkaisulaikkoihin kohdistuvat sivuttaisvoimat voivat saada ne murtumaan.
- ◆ Käytä aina vahingoittumattomia laippoja, joiden koko ja muoto vastaavat valittua laikkaa. Oikeanlaiset laipat tukevat laikkaa, mikä vähentää laikan rikkoutumisen todennäköisyyttä. Katkaisu- ja hiomalaikkojen laipat voivat olla erilaisia.
- ◆ Älä käytä suurempien sähkötyökälujen kuluneita laikkoja. Suurempiin sähkötyökäluihin tarkoitetut laikat eivät sovellu nopeammin käyviin pienempiin työkaluihin ja voivat hajota.

### Hiovaa katkaisemista koskevat lisäturvaroitukset

- ◆ Älä ”jumiuta” katkaisulaikkaa tai käytä liiallista voimaa. Älä yritä leikata liian syväälle. Laikan liian voimakas painaminen lisää kuormitusta, urassa olevan laikan vääntymisen tai jumiumumisen todennäköisyyttä ja takapotkun tai laikan rikkoutumisen todennäköisyyttä.
- ◆ Älä aseta vartaloasi samansuuntaisesti pyörivän laikan kanssa tai sen taakse. Kun laikka kulkee toimissaan vartalostasi pois päin, mahdollinen takapotku voi singota pyörivän laikan ja sähkötyökäluun suoraan itseäsi kohti.

- ◆ Jos laikka on jumiummassa tai jos sahaaminen keskeytetään mistä tahansa syystä, katkaise sähkötyökulun virta äläkä liikuta sähkötyökulua, ennen kuin laikka on kokonaan pysähtynyt. Älä koskaan yritä vetää katkaisulaikkaa irti urasta laikan liikuessa, sillä se saattaa johtaa takapotkuun. Selvitä laikan jumiumukseen johtanut syy ja poista se.
- ◆ Älä aloita työkalun leikkaamista uudelleen. Anna laikan saavuttaa täysi nopeus ja aseta se sitten varovasti uraan. Laikka voi juuttua, kiivetä ylös tai aiheuttaa takapotkun, jos sähkötyökalu käynnistetään, kun laikka on kiinni työkappaleessa.
- ◆ Kannatele paneeleita tai suuria työkappaleita laikan jumiumuksen ja takapotkun riskin minimoimiseksi. Suuret työkappaleet taipuvat usein notkolle omasta painostaan. Työkappaleet tulee tukea laikan molemmilta puoilta, sekä sahauslinjan että työkappaleen reunojen läheltä.
- ◆ Ole erityisen varovainen, jos teet reiän paikoilaan olevaan seinään tai muuhun tuntemattomaan paikkaan. Ulostyöntävä sahanterä voi leikata kaasui- tai vesiputkia, sähköjohtoja tai esineitä, jotka voivat aiheuttaa takapotkun.

### Hiomista koskevat turvavaroitukset

- ◆ Älä käytä liian suurikokoista smirgellilaikkapaperia. Noudata hiomapaperin valinnassa valmistajan suosituksia. Hiomalaikan reunojen ulkopuolelle ulottuva suurikokoinen hiomapaperi voi aiheuttaa viiltohaavoja, ja levy voi jumiumta, repeytyä tai aiheuttaa takapotkun.

### Kiillotusta koskevat turvavaroitukset

- ◆ Älä anna kiillotustarvikkeen irrallisten osien tai sen narujen pyöriä vapaasti. Työnä irralliset narut sisään tai leikkaa ne pois. Irralliset ja pyörivät narut voivat kietoutua sormiesi ympärille tai tarttua työkappaleeseen.

### Teräsharjan käyttöä koskevat turvavaroitukset

- ◆ Huomaa, että harjasta irtoaa harjaksia myös tavallisen käytön aikana. Älä rasita harjaksia painamalla harjaa liian voimakkaasti. Harjakset lävistävät helposti ohuet vaatteet ja/tai ihon.
- ◆ Jos teräsharjan kanssa suositellaan suojuksen käyttöä, älä anna harjalaikan tai harjan koskettaa suojusta. Harjalaikan tai harjan läpimitta voi kasvaa kuormituksen ja keskikakoisvoiman seurauksena.

### Muiden turvallisuus

- ◆ Tätä laitetta ei ole tarkoitettu sellaisten henkilöiden käyttöön, joilla on fyysisiä tai älyllisiä rajoitteita tai aistirajoitteita, eikä laitteen toimintaan perehtymättömien henkilöiden käyttöön (lapset mukaan luettuina), paitsi valvonnan alaisina tai jos he ovat saaneet laitteen käyttöön liittyvää opastusta heidän turvallisuudestaan vastaavalta henkilöltä.
- ◆ Lapsia on valvottava ja heitä on estettävä leikkimästä laitteella.

### Muut riskit.

Muut riskit ovat mahdollisia, jos käytät työkalua muulla kuin turvavaroituksissa mainitulla tavalla. Nämä riskit voivat liittyä muun muassa virheelliseen tai pitkäaikaiseen käyttöön. Tiettyjä jäännösriskejä ei voi välttää, vaikka noudatat kaikkia turvamääräyksiä ja käytät turvalaitteita. Näihin kuuluvat muun muassa

- ◆ pyörivien tai liikkuvien osien koskettamisen aiheuttamat vahingot
- ◆ osia, teriä tai lisävarusteita vaihdettaessa aiheutuneet vahingot
- ◆ työkalun pitkäaikaisen käytön aiheuttamat vahingot  
Kun käytät työkalua pitkään, varmista, että pidät säännöllisesti taukoja.
- ◆ kuulovauriot
- ◆ työkalua käytettäessä (esimerkiksi puuta, erityisesti tammea, pyökkiiä ja MDF-levyjä, käsitellessä) syntyneen pölyn sisäänhengityksen aiheuttamat terveysriskit.

### Tärinä

Teknisissä tiedoissa ja vaatimustenmukaisuusilmoituksessa ilmoitetut tärinäpäästöarvot on mitattu standardin EN 60745 testausmenetelmän mukaisesti, ja niiden avulla voidaan vertailla työkaluja keskenään. Ilmoitettua tärinäpäästöarvoa voidaan käyttää myös altistumisen alustavaan arviointiin.

**Varoitus!** Sähkötyökulun käytön aikana mitattu todellinen tärinäpäästöarvo voi poiketa ilmoitetusta tärinäpäästöarvosta työkalun käyttötavan mukaan. Tärinätasoa voi olla ilmoitettua tasoa suurempi.

Kun tärinälle altistumista arvioidaan sen määrittämiseksi, mitä direktiivin 2002/44/EY mukaisia turvatoimenpiteitä vaaditaan sähkötyökaluja säännöllisesti käyttävien henkilöiden suojelemiseksi, tärinälle altistumisen arvioinnissa on otettava huomioon todelliset käyttöolosuhteet ja työkalun käyttötavat. Todellisen käytön lisäksi on kiinnitettävä huomiota myös siihen, milloin työkalu on sammutettuna tai se käy tyhjäkäynnillä.



## Laitteessa olevat merkinnät

Työkalussa on seuraavat kuvamerkinnot:



**Varoitus!** Käyttäjän on luettava käyttöohje vahinkojen välttämiseksi.



Käytä suojalaseja, kun käytät laitetta.



Käytä kuulosuojaimia, kun käytät tätä työkalua.

## Sähköturvallisuus



Tämä työkalu on kaksoeristetty, joten erillistä maadoitusta ei tarvita. Tarkista aina, että virtälähde vastaa arvokilvessä ilmoitettua jännitettä.

- ◆ Jos virtajohto vahingoittuu, sen vaihtaminen tulee turvallisuussyistä jättää valmistajan tai valtuutetun Black & Decker -huollon tehtäväksi.

## Yleiskuvasu

Tässä työkalussa on joitakin tai kaikki seuraavista ominaisuuksista.

1. Virtakytkin
2. Sivukahva
3. Karalukko
4. Suojus

## Kokoaminen

**Varoitus!** Varmista ennen kokoamista, että virta on katkaistu ja että virtajohto on irti pistorasiasta.

## Suojuksen kiinnittäminen ja irrottaminen (kuva A)

Työkalun mukana toimitetaan suojuus, joka on tarkoitettu vain hiomista varten. Jos laitetta aiotaan käyttää katkaisemiseen, on asennettava hiomista varten tarkoitettu suojuus. Katkaisemiseen sopivia suojuksia (osanumerot 1004484-06 malliin KG701/KG901 ja 1004484-07 malliin KG902) on saatavilla Black & Decker -huoltoilikeistä.

### Kiinnittäminen

- ◆ Aseta työkalu pöydälle siten, että kara (5) osoittaa ylöspäin.
- ◆ Vapauta kiristyslukko (7) ja pidä suojusta (4) työkalun yllä kuvan osoittamalla tavalla.
- ◆ Pane kiinnitysulokkeet (8) samaan kohtaan loviin (9) kanssa.
- ◆ Paina suojuus alas ja kierrä se haluamaasi asentoon.
- ◆ Kiinnitä suojuus työkaluun kiristämällä kiristyslukko (7).
- ◆ Lisää sulkuvoimaa tarvittaessa kiristämällä ruuvia (6).

### Irrottaminen

- ◆ Vapauta kiristyslukko (7).

- ◆ Käännä suojusta myötäpäivään siten, että kiinnitysulokkeet (8) ovat samassa kohdassa loviin (9) kanssa.

- ◆ Poista suojuus työkalusta.

**Varoitus!** Älä koskaan käytä työkalua ilman suojusta.

## Sivukahvan kiinnittäminen

- ◆ Ruuvaa sivukahva (2) johonkin työkalun asennusreikään.

**Varoitus!** Käytä aina sivukahvaa.

## Hioma- tai katkaisulaikkojen kiinnittäminen ja irrottaminen (kuvat B–D)

Käytä aina oikean tyyppistä laikkaa. Käytä aina laikkoja, joiden halkaisija ja sisäläpimita ovat oikeat (katso teknisiä tietoja).

### Kiinnittäminen

- ◆ Kiinnitä suojuus yllä kuvatulla tavalla.
- ◆ Pane sisempi laippa (10) karaan (5) kuvan osoittamalla tavalla (kuva B). Varmista, että laippa on oikealla paikalla karan litteällä puolella.
- ◆ Pane laikka (11) karaan (5) kuvan osoittamalla tavalla (kuva B). Jos laikassa on kohotettu keskusta (12), varmista, että se osoittaa sisempää laippaa kohti.
- ◆ Varmista, että laikka asettuu paikalleen sisemmän laipan päälle.
- ◆ Pane ulompi laippa (13) karaan. Kun kiinnität hioma-laikkaa, ulomman laipan kohotetun keskustan pitää osoittaa laikkaan päin (A kuvassa C). Kun kiinnität katkaisulaikkaa, ulomman laipan kohotetun keskustan pitää osoittaa pois päin laikasta (B kuvassa C).
- ◆ Pidä karalukko (3) painettuna alas ja kiristä ulompi laippa haarukka-avaimella (14) (kuva D).

### Irrottaminen

- ◆ Pidä karalukko (3) painettuna alas ja löysää ulompaa laippaa (13) haarukka-avaimella (14) (kuva D).
- ◆ Poista ulompi laippa (13) ja laikka (11).

## Smirgelilaikan kiinnitys ja poisto (kuvat D ja E)

Hiomiseen tarvitaan tukilappua. Tukilappoja on saatavilla Black & Decker -kauppialta.

### Kiinnittäminen

- ◆ Pane sisempi laippa (10) karaan (5) kuvan osoittamalla tavalla (kuva E). Varmista, että laippa on oikealla paikalla karan litteällä puolella.
- ◆ Pane tukilappu (15) karaan.
- ◆ Kiinnitä smirgelilaikka (16) tukilappaan.
- ◆ Pane ulompi laippa (13) karaan siten, että sen kohotettu keskusta osoittaa pois päin laikasta.
- ◆ Pidä karalukko (3) painettuna alas ja kiristä ulompi laippa haarukka-avaimella (14) (kuva D). Varmista, että ulkolappu on asennettu oikein ja että laikka on kiinnitetty tiukasti.

## Irrottaminen

- ◆ Pidä karalukko (3) painettuna alas ja löysää ulompaa laippaa (13) haarukka-avaimella (14) (kuva D).
- ◆ Poista ulompi laippa (13), smirgellilaikka (16) ja tukilaippa (15).

## Käyttö

**Varoitus!** Anna työkalun käydä omaan tahtiinsa. Älä ylikuormita sitä.

- ◆ Ohjaa kaapeli siten, ettet vahingossa leikkaa sitä.
- ◆ Varaudu kipinäsiuhkuun hioma- tai katkaisulaikan osuessa työstettävään kappaleeseen.
- ◆ Aseta työkalu aina sillä tavalla, että sen suojuus tarjoaa parhaan suojan hioma- tai katkaisulaikoilta.

## Käynnistäminen ja pysäyttäminen

- ◆ Käynnistä työkalu painamalla virrankatkaisijaa (1) eteenpäin. Muista, että työkalu jatkaa pyörimistä vielä kytkimen vapauttamisen jälkeenkin.
- ◆ Sammuta työkalu painamalla virrankatkaisijan takaosaa.

**Varoitus!** Älä pysäytä työkalua, jos se on kuormitettu.

## Vinkkejä parhaimman tuloksen saamiseksi

- ◆ Pidä toisella kädellä tukevasti kiinni sivukahvasta ja toisella pääkahvasta.
- ◆ Kun hiot, huolehdi siitä, että laikan ja työstettävän kappaleen pinnan välinen kulma on aina noin 15°.

## Huolto

Verkkojohdolla varustettu tai verkkojohdoton Black & Deckerin laite/työkalu on suunniteltu toimimaan mahdollisimman kauan mahdollisimman vähällä huollolla. Oikealla huollolla ja säännöllisellä puhdistuksella työkalu säilyttää suorituskykynsä.

**Varoitus!** Toimi ennen verkkojohdolla varustetun tai verkkojohdoton sähkötyökalun huoltoa seuraavasti:

- ◆ Sammuta laite/työkalu ja irrota se verkkovirrasta.
- ◆ Jos laitteessa/työkalussa on erillinen akku, sammuta laite/työkalu ja irrota sen akku.
- ◆ Jos akku on kiinteä, käytä akku täysin loppuun ja sammuta laite/työkalu sitten.
- ◆ Irrota laturi pistorasiasta ennen laturin puhdistamista. Laturi ei tarvitse säännöllisen puhdistamisen lisäksi mitään muuta huoltoa.
- ◆ Puhdista laitteen/työkalun/laturin ilma-aukot säännöllisesti pehmeällä harjalla tai kuivalla kangasiinalla.
- ◆ Puhdista moottorikotelo säännöllisesti kostealla liinalla. Älä koskaan käytä puhdistamiseen liuotinaineita tai syövyttäviä puhdistusaineita.
- ◆ Avaa istukka säännöllisesti ja naputtele pöly pois sen sisältä (soveltuvin osin).

## Virtapistokkeen vaihto (vain Iso-Britannia ja Irlanti)

Jos joudut vaihtamaan virtapistokkeen:

- ◆ Hävitä vanha pistoke ympäristöstävällisesti.
- ◆ Liitä ruskea johto uuden pistokkeen jännitteeseen napaan.
- ◆ Liitä sininen johto tähtipisteliittimeen.

**Varoitus!** Maadoitusliittimeen ei liitetä johtoa. Noudata pistokkeen mukana toimitettuja kiinnitysohjeita. Suositeltava sulake: 13 A.

## Ympäristönsuojelu



Erillinen keräys. Tätä tuotetta ei saa hävittää normaalin kotitalousjätteen mukana.

Kun Black & Decker -laitteesi aikanaan täytyy vaihtaa tai ei kelpaa enää käyttöön, älä hävitä laitetta kotitalousjätteen mukana. Toimita laite kierrätettäväksi.



Käytettyjen tuotteiden ja pakkausmateriaalien erilliskeruun avulla materiaalit voidaan kierrättää ja käyttää uudelleen. Kierrätysmateriaalien käyttö auttaa vähentämään ympäristön saastumista ja uusien raaka-aineiden tarvetta.

Paikallisissa säädöksissä voidaan määrätä, että kodin sähkötuotteiden keruu tapahtuu kaupunkien jätteidenkäsittelyasemilla tai laitteita myyvissä liikkeissä uuden tuotteen oston yhteydessä.

Kun laitteesi on käytetty loppuun, älä hävitä sitä tavallisten roskien mukana, vaan vie se paikkakuntasi kierrätyskeskukseen tai jätä se valtuutettuun Black & Deckerin huoltoliikkeeseen.

Tiedot valtuutetuista huoltoliikkeistä saa ottamalla yhteyden Black & Decker Oy:hyn tässä käyttöohjeessa ilmoitetussa osoitteessa. Valtuutettujen Black & Decker -huoltoliikkeiden yhteystiedot sekä lisätietoja palveluistamme ja takuehdoista on myös Internetissä osoitteessa [www.2helpU.com](http://www.2helpU.com).

## Tekniset tiedot

		KG701 (Type 1)	KG901 (Type 1)	KG902 (Type 1)
Syöttöjännite	V <sub>ac</sub>	230	230	230
Ottoteho	W	710	900	900
Kuormittamaton nopeus	min <sup>-1</sup>	10,500	11,000	11,000
Laikan halkaisija	mm	115	115	125
Laikan sisäläpimitta	mm	22	22	22
Laikan enimmäispaksuus				
hiomalaikat	mm	6	6	6
katkaisulaikat	mm	3.5	3.5	3.5
Karan koko		M14	M14	M14
Paino	kg	2.1	2.1	2.1

## EY-vaatimustenmukaisuusvakuutus

KONEDIREKTIIVI



KG701 / KG901 / KG902

Black & Decker ilmoittaa, että tuotteet, jotka on kuvattu kohdassa Tekniset tiedot, täyttävät seuraavien direktiivien vaatimukset:

2006/42/EY, EN 60745-1, EN 60745-2-3

Nämä tuotteet täyttävät myös direktiivien 2004/108/EY ja 2011/65/EU vaatimukset.

Lisätietoja saa ottamalla yhteyden Black & Deckeriin seuraavassa osoitteessa. Tiedot ovat myös käyttöohjeen takakannessa.

Allekirjoittanut vastaa teknisten tietojen kokoamisesta ja antaa tämän ilmoituksen Black & Deckerin puolesta.

Kevin Hewitt

Vice-President Global Engineering  
Black & Decker Europe, 210 Bath Road, Slough,  
Berkshire, SL1 3YD, Yhdistynyt kuningaskunta  
30/03/2012

L <sub>pA</sub> (äänenpaine) 92.6 dB(A), epävarmuus (K) 3 dB(A)
L <sub>WA</sub> (ääniteho) 103.6 dB(A), epävarmuus (K) 3 dB(A)
Tärinän kokonaisarvot (vektorisumma) standardin EN 60745 mukaisesti:
Pintahionta (a <sub>h,SG</sub> ) 9.9 m/s <sup>2</sup> , epävarmuus (K) 1.5 m/s <sup>2</sup>
Katkaisu (a <sub>v</sub> ) 6.2 m/s <sup>2</sup> , epävarmuus (K) 1.5 m/s <sup>2</sup>
Kiillotus (a <sub>h,P</sub> ) 4.6 m/s <sup>2</sup> , epävarmuus (K) 1.5 m/s <sup>2</sup>
Laikkahionta (a <sub>h,DS</sub> ) 9.6 m/s <sup>2</sup> , epävarmuus (K) 1.5 m/s <sup>2</sup>
Teräsharjan käyttö (a <sub>v</sub> ) 10.2 m/s <sup>2</sup> , epävarmuus (K) 1.5 m/s <sup>2</sup>

## Takuu

Black & Decker takaa, ettei tuotteessa ole materiaali- ja/tai valmistusvikaa silloin, kun se toimitetaan ostajalle. Takuu on lisäys kuluttajan laillisiin oikeuksiin eikä vaikuta niihin. Takuu on voimassa Euroopan unionin jäsenvaltioissa ja Euroopan vapaakauppa-alueella (EFTA).

Mikäli Black & Decker -kone hajoaa materiaali- ja/tai valmistusvirheen tai teknisten tietojen epätarkkuuden vuoksi 24 kk:n kuluessa ostopäivästä, Black & Decker korjaa koneen ilman kustannuksia ostajalle tai vaihtaa sen Black & Decker Oy:n valinnan mukaan. Takuu ei kata vikoja, jotka johtuvat seuraavista:

- ◆ Tuotetta on käytetty kaupallisesti, ammattimaisesti tai vuokraukseen.
- ◆ Tuotetta on käytetty tai hoidettu virheellisesti.
- ◆ Tuotetta on vahingoitettu vieraalla esineellä tai aineella tai se on ollut onnettomuudessa.
- ◆ Jos korjauksia on yrittänyt joku muu kuin Black & Deckerin valtuuttama edustaja tai Black & Deckerin henkilökunta.

Edellytyksenä takuun saamiselle on, että ostaja toimittaa ostokuitin jälleenmyyjälle tai valtuutetulle huoltoliikkeelle. Tiedot valtuutetuista huoltoliikkeistä saa ottamalla yhteyden Black & Decker Oy:hyn tässä käyttöohjeessa ilmoitetussa osoitteessa. Valtuutettujen Black & Decker -huoltoliikkeiden yhteystiedot sekä lisätietoja palveluistamme ja takuuehdoista on myös Internetissä osoitteessa [www.2helpU.com](http://www.2helpU.com).

Voit rekisteröidä uuden Black & Decker -tuotteesi ja tarkastella tietoja uusista tuotteista ja erikoistarjouksista verkkosivuillemme [www.blackanddecker.fi](http://www.blackanddecker.fi). Saat lisätietoja Black & Deckerin tavaramerkistä ja tuotevalikoimastamme osoitteesta [www.blackanddecker.fi](http://www.blackanddecker.fi).

## Ενδεειγμένη χρήση

Το γωνιακό τριβείο της Black & Decker έχει σχεδιαστεί για τη λείανση και την κοπή μετάλλων και τοιχοποιίας χρησιμοποιώντας τον κατάλληλο τύπο δίσκου κοπής ή τριβής. Όταν είναι εξοπλισμένο με το κατάλληλο προστατευτικό, το εργαλείο αυτό προορίζεται μόνο για ερασιτεχνική χρήση.

## Οδηγίες ασφαλείας

### Γενικές προειδοποιήσεις ασφαλείας για τα ηλεκτρικά εργαλεία



**Προειδοποίηση!** Διαβάστε όλες τις προειδοποιήσεις ασφαλείας και όλες τις οδηγίες. Η μη τήρηση των παρακάτω προειδοποιήσεων και οδηγιών μπορεί να προκαλέσει ηλεκτροπληξία, πυρκαγιά ή/και σοβαρούς τραυματισμούς.

**Φυλάξτε όλες τις προειδοποιήσεις και τις οδηγίες για μελλοντική αναφορά.** Ο χαρακτηρισμός "ηλεκτρικό εργαλείο" που χρησιμοποιείται σε όλες τις παρακάτω προειδοποιήσεις αφορά είτε το εργαλείο που συνδέεται στην πρίζα (με καλώδιο) είτε το εργαλείο που λειτουργεί με μπαταρία (χωρίς καλώδιο).

#### 1. Ασφάλεια χώρου εργασίας

- Διατηρείτε το χώρο που εργάζεστε καθαρό και καλά φωτισμένο.** Η αταξία στο χώρο εργασίας και τα σημεία χωρίς καλό φωτισμό μπορεί να οδηγήσουν σε ατυχήματα.
- Μη χρησιμοποιείτε ηλεκτρικά εργαλεία σε περιβάλλον όπου υπάρχει κίνδυνος έκρηξης, π.χ. παρουσία εύφλεκτων υγρών, αερίων ή σκόνης.** Τα ηλεκτρικά εργαλεία μπορεί να δημιουργήσουν σπινθηρισμό ο οποίος μπορεί να αναφλέξει τη σκόνη ή τις αναθυμιάσεις.
- Όταν χρησιμοποιείτε το ηλεκτρικό εργαλείο, κρατάτε τα παιδιά και τα υπόλοιπα άτομα μακριά από το χώρο εργασίας.** Σε περίπτωση που άλλα άτομα αποσπάσουν την προσοχή σας μπορεί να χάσετε τον έλεγχο του εργαλείου.

#### 2. Ασφαλής χρήση ηλεκτρικού ρεύματος

- Το φως του καλωδίου του ηλεκτρικού εργαλείου πρέπει να ταιριάζει στην αντίστοιχη πρίζα. Δεν επιτρέπεται με κανέναν τρόπο η μετασκευή του φως. Μη χρησιμοποιείτε φως πρόσραμψης με γειωμένα ηλεκτρικά εργαλεία.** Τα φως που δεν έχουν υποστεί τροποποιήσεις και οι κατάλληλες πρίζες μειώνουν τον κίνδυνο ηλεκτροπληξίας.

- Αποφύγετε την επαφή του σώματός σας με γειωμένες επιφάνειες όπως σωλήνες, θερμαντικά σώματα (καλοριφέρ), κουζίνες και ψυγεία.** Όταν το σώμα σας είναι γειωμένο, αυξάνεται ο κίνδυνος ηλεκτροπληξίας.
- Μην εκθέτετε τα ηλεκτρικά εργαλεία στη βροχή ή την υγρασία.** Η εισχώρηση νερού στο ηλεκτρικό εργαλείο αυξάνει τον κίνδυνο ηλεκτροπληξίας.
- Μην κακομεταχειρίζεστε το καλώδιο. Μη χρησιμοποιείτε ποτέ το καλώδιο για να μεταφέρετε το εργαλείο, να το τραβήξετε ή να το αποσυνδέσετε από την πρίζα. Κρατάτε το καλώδιο μακριά από θερμότητα, λάδια, αιχμηρά άκρα ή κινούμενα μέρη.** Τυχόν χαλασμένα ή μπερδεμένα καλώδια αυξάνουν τον κίνδυνο ηλεκτροπληξίας.
- Όταν χρησιμοποιείτε το ηλεκτρικό εργαλείο σε εξωτερικούς χώρους, να χρησιμοποιείτε πάντοτε καλώδια προέκτασης κατάλληλα για χρήση σε εξωτερικούς χώρους.** Η χρήση προεκτάσεων κατάλληλων για εργασία σε εξωτερικούς χώρους μειώνει τον κίνδυνο ηλεκτροπληξίας.
- Εάν η χρήση ενός ηλεκτρικού εργαλείου σε μία υγρή τοποθεσία είναι αναπόφευκτη, χρησιμοποιήστε μια Διάταξη Προστασίας Ρεύματος Διαρροής (RCD).** Η χρήση μιας διάταξης RCD μειώνει τον κίνδυνο ηλεκτροπληξίας.

#### 3. Ασφάλεια προσώπων

- Όταν χρησιμοποιείτε το ηλεκτρικό εργαλείο, να είστε προσεκτικοί, να δίνετε προσοχή στην εργασία που κάνετε και να επιστρατεύετε την κοινή λογική. Μη χρησιμοποιείτε το ηλεκτρικό εργαλείο όταν είστε κουρασμένοι ή όταν βρίσκεστε υπό την επήρεια ναρκωτικών, οινοπνεύματος ή φαρμάκων.** Μια στιγμή απροσεξία κατά το χειρισμό του ηλεκτρικού εργαλείου μπορεί να οδηγήσει σε σοβαρούς τραυματισμούς.
- Να χρησιμοποιείτε εξοπλισμό προσωπικής προστασίας. Να φοράτε πάντα προστατευτικά γυαλιά.** Ο κίνδυνος τραυματισμών μειώνεται όταν χρησιμοποιείτε εξοπλισμό προστασίας, όπως μάσκα προστασίας από σκόνη, αντιοισθητικά παπούτσια ασφαλείας, κράνη ή ωτασπίδες, ανάλογα με τις συνθήκες εργασίας.
- Αποφύγετε την ακούσια ενεργοποίηση. Βεβαιωθείτε ότι ο διακόπτης λειτουργίας βρίσκεται στη θέση "OFF" πριν συνδέσετε το εργαλείο στην πρίζα ή/και τοποθετήσετε την μπαταρία, πριν το σκλώσετε ή το μεταφέρετε.** Η μεταφορά ηλεκτρικών εργαλείων με το δάχτυλό σας επάνω στο διακόπτη ή η σύνδεση στην πρίζα ηλεκτρικών εργαλείων με το διακόπτη στη θέση ενεργοποίησης, ενέχει κινδύνους πρόκλησης ατυχημάτων.

- d. Πριν θέσετε το ηλεκτρικό εργαλείο σε λειτουργία, αφαιρέστε τυχόν εργαλεία ή κλειδιά ρύθμισης. Εάν αφήσετε ένα εργαλείο ή κλειδί πάνω σε κάποιο περιστρεφόμενο εξάρτημα του ηλεκτρικού εργαλείου μπορεί να προκληθούν τραυματισμοί.
- e. Μην τεντώνεστε. Φροντίστε πάντοτε να έχετε την κατάλληλη στάση και να διατηρείτε την ισορροπία σας. Αυτό σας επιτρέπει τον καλύτερο έλεγχο του ηλεκτρικού εργαλείου σε περιπτώσεις απροσδόκητων καταστάσεων.
- f. Φοράτε κατάλληλη ενδυμασία εργασίας. Μη φοράτε φαρδιά ρούχα ή κοσμήματα. Κρατάτε τα μαλλιά, τα ενδύματα και τα γάντια σας μακριά από τα κινούμενα εξαρτήματα. Τα φαρδιά ρούχα, τα κοσμήματα και τα μακριά μαλλιά μπορεί να εμπλακούν στα κινούμενα εξαρτήματα.
- g. Αν προβλέπονται διατάξεις απαγωγής και συλλογής της σκόνης, βεβαιωθείτε ότι είναι συνδεδεμένες και ότι χρησιμοποιούνται σωστά. Η χρήση τέτοιων διατάξεων μειώνει τους κινδύνους που προέρχονται από τη σκόνη.
4. Χρήση και συντήρηση του ηλεκτρικού εργαλείου
- a. Μην υπερφορτώνετε το ηλεκτρικό εργαλείο. Χρησιμοποιείτε για την εκάστοτε εργασία σας το ηλεκτρικό εργαλείο που προορίζεται γι' αυτήν. Με το κατάλληλο ηλεκτρικό εργαλείο, εργάζεστε καλύτερα και ασφαλέστερα στην ονομαστική περιοχή ισχύος του.
- b. Μη χρησιμοποιήσετε ποτέ ένα ηλεκτρικό εργαλείο του οποίου ο διακόπτης λειτουργίας είναι χαλασμένος. Ένα ηλεκτρικό εργαλείο του οποίου η λειτουργία δεν μπορεί να ελεγχθεί με το διακόπτη είναι επικίνδυνο και πρέπει να επισκευαστεί.
- c. Βγάλετε το φως από την πρίζα ή/και την μπαταρία από το ηλεκτρικό εργαλείο, πριν διεξαγάγετε κάποια εργασία ρύθμισης, πριν αλλάξετε κάποιο εξάρτημα ή όταν πρόκειται να αποθηκεύσετε τα ηλεκτρικά εργαλεία. Αυτά τα προληπτικά μέτρα ασφαλείας μειώνουν τον κίνδυνο να θεθεί το εργαλείο ακούσια σε λειτουργία.
- d. Να φυλάτε τα ηλεκτρικά εργαλεία που δε χρησιμοποιείτε μακριά από παιδιά. Μην αφήνετε άτομα που δεν είναι εξοικειωμένα με το ηλεκτρικό εργαλείο ή που δεν έχουν διαβάσει αυτές τις οδηγίες χρήσης να το χρησιμοποιήσουν. Τα ηλεκτρικά εργαλεία είναι επικίνδυνα όταν χρησιμοποιούνται από άπειρα άτομα.
- e. Να συντηρείτε τα ηλεκτρικά εργαλεία. Ελέγξτε εάν τα κινούμενα εξαρτήματα είναι σωστά ευθυγραμμισμένα ή αν έχουν μπλοκάρει, εάν έχουν σπάσει κομμάτια και εάν πληρούνται όλες οι υπόλοιπες προϋποθέσεις που ενδεχομένως να επηρεάσουν τη σωστή λειτουργία του εργαλείου. Δώστε τυχόν χαλασμένα εξαρτήματα του ηλεκτρικού εργαλείου για επισκευή πριν το χρησιμοποιήσετε πάλι. Η ανεπαρκής συντήρηση των ηλεκτρικών εργαλείων αποτελεί αιτία πολλών ατυχημάτων.
- f. Διατηρείτε τα κοπτικά εργαλεία κοφτερά και καθαρά. Τα κοπτικά εργαλεία με αιχμηρά κοπτικά άκρα που συντηρούνται σωστά έχουν λιγότερες πιθανότητες να μπλοκάρουν και ελέγχονται ευκολότερα.
- g. Να χρησιμοποιείτε τα ηλεκτρικά εργαλεία, τα εξαρτήματα και τα άκρα των εργαλείων κλπ. σύμφωνα με τις παρούσες οδηγίες, λαμβάνοντας υπόψη σας τις συνθήκες εργασίας και την εργασία που θέλετε να εκτελέσετε. Η χρήση του ηλεκτρικού εργαλείου για εργασίες πέρα από τις προβλεπόμενες μπορεί να οδηγήσει σε επικίνδυνες καταστάσεις.
5. Σέρβις
- a. Το σέρβις του ηλεκτρικού σας εργαλείου πρέπει να αναλαμβάνει έμπειρος τεχνικός που θα χρησιμοποιεί μόνο γνήσια ανταλλακτικά. Έτσι, εξασφαλίζεται η διατήρηση της ασφάλειας του ηλεκτρικού εργαλείου.

### Συμπληρωματικές προειδοποιήσεις ασφαλείας για τα ηλεκτρικά εργαλεία



**Προειδοποίηση!** Συμπληρωματικές προειδοποιήσεις ασφαλείας για εργασίες τριψίματος, λείανσης, χρήσης συρματόβουρτσας, στίλβωσης ή κοπής με τροχό λείανσης

- ◆ Αυτό το ηλεκτρικό εργαλείο προορίζεται να λειτουργεί ως τριβείο, συρματόβουρτσα, στίλβωτικό ή εργαλείο κοπής. Διαβάστε όλες τις προειδοποιήσεις ασφαλείας, οδηγίες, εικόνες και τα τεχνικά χαρακτηριστικά που παρέχονται μαζί με αυτό το ηλεκτρικό εργαλείο. Η μη τήρηση όλων των παρακάτω οδηγιών μπορεί να προκαλέσει ηλεκτροπληξία, πυρκαγιά ή/και σοβαρούς τραυματισμούς.
- ◆ Εργασίες για τις οποίες δεν έχει σχεδιαστεί το εργαλείο μπορεί να επιφέρουν κινδύνους και να προκαλέσουν προσωπικό τραυματισμό.
- ◆ Μην χρησιμοποιείτε εξαρτήματα τα οποία δεν σχεδιάστηκαν ειδικά και δεν συνιστώνται από τον κατασκευαστή του εργαλείου. Το γεγονός ότι ένα εξάρτημα μπορεί να συνδεθεί στο ηλεκτρικό εργαλείο σας δεν αρκεί για να εξασφαλίσει την ασφαλή λειτουργία.

- ◆ Η ονομαστική ταχύτητα του εξαρτήματος πρέπει να είναι τουλάχιστον ίση με τη μέγιστη ταχύτητα που αναγράφεται στο ηλεκτρικό εργαλείο. Εξαρτήματα που λειτουργούν με μεγαλύτερη ταχύτητα από την ονομαστική ταχύτητά τους μπορεί να σπιάσουν και να εκτιναχθούν.
  - ◆ Η εξωτερική διάμετρος και το πάχος του εξαρτήματός σας πρέπει να βρίσκονται εντός των ονομαστικών χαρακτηριστικών του ηλεκτρικού σας εργαλείου. Εξαρτήματα με λανθασμένο μέγεθος δεν προστατεύονται ούτε και ελέγχονται επαρκώς.
  - ◆ Το μέγεθος άξονα των τροχών, των φλαντζών, των βάσεων υποστήριξης ή οποιωνδήποτε άλλων εξαρτημάτων πρέπει να ταιριάζει σωστά στην άτρακτο του ηλεκτρικού εργαλείου. Εξαρτήματα με σπές άξονα που δεν ταιριάζουν με τον εξοπλισμό τοποθέτησης του ηλεκτρικού εργαλείου ενδέχεται να λειτουργήσουν εκτός ισορροπίας, προκαλώντας υπερβολικούς κραδασμούς και μπορεί να προκαλέσουν απώλεια ελέγχου.
  - ◆ Μην χρησιμοποιείτε χαλασμένα εξαρτήματα. Πριν από κάθε χρήση να ελέγχετε τα εξαρτήματα, όπως λειαντικούς τροχούς, για θραύσματα και ρωγμές, τη βάση υποστήριξης για ρωγμές, σκισίματα ή υπερβολική φθορά, τη συρματοβούρσα για χαλαρωμένα ή ραγισμένα σύρματα. Εάν ένα ηλεκτρικό εργαλείο ή ένα εξάρτημα πέσει κάτω, ελέγξτε για ζημιές ή τοποθετήστε ένα άθικτο εξάρτημα. Μετά την επιθεώρηση και την τοποθέτηση ενός εξαρτήματος, θέστε σε λειτουργία το εργαλείο στη μέγιστη ταχύτητα χωρίς φορτίο για ένα λεπτό. Κατεστραμμένα εξαρτήματα, συνήθως, σπάνε κατά τη διάρκεια αυτού του χρόνου δοκιμής.
  - ◆ Να φοράτε εξοπλισμό ατομικής προστασίας. Ανάλογα με την εφαρμογή, χρησιμοποιήστε προσωπίδα ασφαλείας ή γυαλιά ασφαλείας. Ανάλογα με την περίπτωση, φοράτε μάσκα για τη σκόνη, ωτοασπίδες, γάντια και ποδιά εργαστηρίου ικανή να σταματήσει τα μικρά θραύσματα από τη λείανση ή το κατεργαζόμενο τεμάχιο. Η προστασία των ματιών πρέπει να είναι σε θέση να σταματήσει τα υαλοείματα που εκσφενδονίζονται κατά τη διάρκεια διαφόρων εργασιών. Η μάσκα σκόνης ή η μάσκα προστασίας αναπνοής πρέπει να είναι σε θέση να φιλτράρει τα σωματίδια που παράγονται από την εργασία σας. Η παρατεταμένη έκθεση σε υψηλής έντασης θόρυβο μπορεί να προκαλέσει απώλεια ακοής.
  - ◆ Κρατάτε τους παρευρισκόμενους σε ασφαλή απόσταση από το χώρο εργασίας. Κάθε άτομο που εισέρχεται στο χώρο εργασίας πρέπει να φορά εξοπλισμό ατομικής προστασίας. Θραύσματα από το κατεργαζόμενο τεμάχιο ή από ένα σπασμένο εξάρτημα μπορεί να εκσφενδονιστούν και να προκαλέσουν τραυματισμό πέρα από την άμεση περιοχή της εργασίας.
  - ◆ Κρατάτε το ηλεκτρικό εργαλείο μόνο από τις μονωμένες επιφάνειες συγκράτησης, όταν εκτελείτε κάποια εργασία κατά την οποία το εξάρτημα κοπής μπορεί να έρθει σε επαφή με κρυμμένα καλώδια ή με το δικό του καλώδιο. Η επαφή του εξαρτήματος κοπής με ένα καλώδιο υπό τάση θα θέσει τα εκτεθειμένα μεταλλικά μέρη του εργαλείου υπό τάση, με κίνδυνο ο χειριστής να υποστεί ηλεκτροπληξία.
  - ◆ Τοποθετήστε το καλώδιο μακριά από το περιστρεφόμενο εξάρτημα. Εάν χάσετε τον έλεγχο, το καλώδιο μπορεί να κοπεί ή να πιαστεί και το χέρι ή το μπράτσο σας μπορεί να τραβηχτεί μέσα στο περιστρεφόμενο εξάρτημα.
  - ◆ Ποτέ μην τοποθετείτε κάτω το ηλεκτρικό εργαλείο πριν να ακινητοποιηθεί εντελώς το εξάρτημα. Το περιστρεφόμενο εξάρτημα μπορεί να εμπλακεί στην επιφάνεια, με αποτέλεσμα να χάσετε τον έλεγχο του ηλεκτρικού εργαλείου.
  - ◆ Μην μεταφέρετε το εργαλείο κοντά στο σώμα σας ενώ βρίσκεται σε λειτουργία. Η κατά λάθος επαφή με το περιστρεφόμενο εξάρτημα μπορεί να πιάσει τα ρούχα σας, τραβώντας το εξάρτημα προς το σώμα σας.
  - ◆ Καθαρίζετε τακτικά τις διόδους αερισμού του ηλεκτρικού εργαλείου. Ο ανεμιστήρας του μοτέρ αναρροφά σκόνη στο εσωτερικό του περιβλήματος και η υπερβολική συσσώρευση μετάλλου σε μορφή σκόνης μπορεί να προκαλέσει κίνδυνο ηλεκτροπληξίας.
  - ◆ Μην χρησιμοποιείτε το ηλεκτρικό εργαλείο κοντά σε εύφλεκτα υλικά. Οι σπινθήρες μπορούν να προκαλέσουν ανάφλεξη αυτών των υλικών.
  - ◆ Μην χρησιμοποιείτε εξαρτήματα που απαιτούν ψυκτικά υγρά. Η χρήση νερού ή άλλων ψυκτικών υγρών μπορεί να προκαλέσει ηλεκτροπληξία.
- Σημείωση:** Η παραπάνω προειδοποίηση δεν ισχύει για ηλεκτρικά εργαλεία που έχουν σχεδιαστεί ειδικά για χρήση με σύστημα υγρού.

## Ανάκρουση και σχετικές προειδοποιήσεις

Η ανάκρουση (κλώσημα) είναι μια ξαφνική αντίδραση όταν μαγκώσει ή σκαλώσει ο περιστρεφόμενος τροχός, η βάση υποστήριξης, η βούρσα ή οποιοδήποτε άλλο εξάρτημα. Το μάγκωμα ή το σκάλωμα προκαλεί την απότομη ακινητοποίηση του περιστρεφόμενου εξαρτήματος, το οποίο με τη σειρά του προκαλεί την αναγκαστική κίνηση του ανεξέλεγκτου ηλεκτρικού εργαλείου προς την αντίθετη κατεύθυνση της περιστροφής του εξαρτήματος στο σημείο της εμπλοκής.

Για παράδειγμα, αν ένας λειαντικός τροχός μαγκώσει ή σκαλώσει στο κατεργαζόμενο τεμάχιο, το άκρο του τροχού που εισέρχεται στο σημείο εμπλοκής μπορεί να σκάψει μέσα στην επιφάνεια του υλικού αναγκάζοντας τον τροχό να "σκαρφάλωσει" έξω από αυτό ή να κλωσήσει. Ο τροχός μπορεί να αναπηδήσει προς το μέρος του χειριστή ή αντίθετα από αυτόν, ανάλογα με την κατεύθυνση της κίνησης του τροχού στο σημείο της εμπλοκής. Οι λειαντικοί τροχοί μπορεί και να στάσουν υπό αυτές τις συνθήκες.

Η ανάκρουση αποτελεί συνέπεια κακής χρήσης του ηλεκτρικού εργαλείου ή/και εσφαλμένων διαδικασιών ή συνθηκών λειτουργίας και μπορεί να αποφευχθεί με κατάλληλα προληπτικά μέτρα, όπως αυτά που περιγράφονται παρακάτω.

- ◆ **Κρατάτε γερά το ηλεκτρικό εργαλείο και τοποθετήστε το σώμα και το βραχιόνά σας με τρόπο που να σας επιτρέπει να αντισταθείτε στις δυνάμεις ανάκρουσης.** Πάντοτε χρησιμοποιείτε τη βοηθητική λαβή, εάν υπάρχει, για το μέγιστο έλεγχο κατά της ανάκρουσης ή της αντίδρασης ροπής κατά την εκκίνηση. Ο χειριστής μπορεί να ελέγξει τις αντιδράσεις ροπής ή τις δυνάμεις ανάκρουσης, αν έχουν ληφθεί οι κατάλληλες προφυλάξεις.
- ◆ **Ποτέ μην τοποθετείτε το χέρι σας κοντά στο περιστρεφόμενο εξάρτημα.** Τα εξάρτημα μπορεί να κάνει ανάκρουση επάνω από το χέρι σας.
- ◆ **Μην τοποθετείτε το σώμα σας στην περιοχή όπου θα κινηθεί το ηλεκτρικό εργαλείο, εάν σημειωθεί ανάκρουση.** Η ανάκρουση θα προωθήσει το εργαλείο προς την αντίθετη κατεύθυνση από την κίνηση του τροχού στο σημείο της εμπλοκής.
- ◆ **Επιδείξτε ιδιαίτερη προσοχή όταν εργάζεστε σε γωνίες, αιχμηρά άκρα, κλπ. Αποφύγετε την αναπήδηση και την εμπλοκή του εξαρτήματος.** Οι γωνίες, τα αιχμηρά άκρα και η αναπήδηση έχουν την τάση να μαγκώνουν το περιστρεφόμενο εξάρτημα και να προκαλούν απώλεια ελέγχου ή ανάκρουση.
- ◆ **Μην συνδέσετε λάμα ξυλογλυπτικής για αλυσοπρίονο ή οδοντωτή πριονόλαμα.** Τέτοιες λάμες προκαλούν συχνά ανάκρουση και απώλεια ελέγχου.

## Ειδικές προειδοποιήσεις ασφάλειας για τρίτιμο και εργασίες κοπής με τροχό λείανσης

- ◆ **Να χρησιμοποιείτε μόνο τύπους τροχών που συνιστώνται για το ηλεκτρικό εργαλείο σας και το ειδικό προστατευτικό που έχει σχεδιαστεί για τον επιλεγμένο τροχό.** Τροχοί για τους οποίους δεν έχει σχεδιαστεί το ηλεκτρικό εργαλείο δεν μπορούν να προστατευτούν επαρκώς και δεν είναι ασφαλείς.
- ◆ **Το προστατευτικό πρέπει να είναι συνδεδεμένο με ασφάλεια στο ηλεκτρικό εργαλείο και να έχει τοποθετηθεί για μέγιστη ασφάλεια, ώστε το ελάχιστο δυνατό τμήμα του τροχού να είναι εκτεθειμένο προς το χειριστή.** Το προστατευτικό συμβάλλει στην προστασία του χειριστή από θραύσματα σπασμένου τροχού και από την κατά λάθος επαφή με τον τροχό.
- ◆ **Οι τροχοί πρέπει να χρησιμοποιούνται μόνο για τις συνιστώμενες εφαρμογές.** Για παράδειγμα: μην λειάνετε με την πλευρά ενός τροχού κοπής. Οι τροχοί για εργασίες κοπής με τροχό λείανσης προορίζονται για περιφερειακή λείανση. Οι πλευρικές δυνάμεις που ασκούνται σε αυτούς τους τροχούς μπορεί να προκαλέσουν το θρυμματισμό τους.
- ◆ **Να χρησιμοποιείτε πάντα άθικτες φλάντζες τροχών, του σωστού μεγέθους και σχήματος για τον επιλεγμένο τροχό σας.** Οι σωστές φλάντζες τροχών υποστηρίζουν τον τροχό, μειώνοντας έτσι την πιθανότητα θραύσης του τροχού. Οι φλάντζες για τους τροχούς κοπής μπορεί να διαφέρουν από τις φλάντζες των τροχών λείανσης.
- ◆ **Μην χρησιμοποιείτε φθαρμένους τροχούς από μεγαλύτερα ηλεκτρικά εργαλεία.** Τροχός που προορίζεται για μεγαλύτερο ηλεκτρικό εργαλείο δεν είναι κατάλληλος για την υψηλότερη ταχύτητα του μικρότερου εργαλείου και μπορεί να στάσει.

## Συμπληρωματικές προειδοποιήσεις ασφάλειας για εργασίες κοπής με τροχό λείανσης

- ◆ **Μην φρακάρτε τον τροχό κοπής και μην ασκείτε υπερβολική πίεση.** Μην επιχειρήσετε να κάνετε υπερβολικά βαθιά κοπή. Η υπερβολική καταπόνηση του τροχού αυξάνει το φορτίο και την ευαισθησία του στη συστροφή ή την εμπλοκή στην κοπή, καθώς και την πιθανότητα ανάκρουσης ή θραύσης του τροχού.
- ◆ **Μην τοποθετείτε το σώμα σας σε ευθεία με τον περιστρεφόμενο τροχό και πίσω από αυτόν.** Όταν ο τροχός, στο σημείο εργασίας, απομακρύνεται από το σώμα σας, πιθανή ανάκρουση ενδεχομένως να προωθήσει τον περιστρεφόμενο τροχό και το ηλεκτρικό εργαλείο κατευθείαν προς εσάς.



- ♦ Όταν μπλοκάρει ο τροχός, ή σε περίπτωση διακοπής της κοπής για οποιονδήποτε λόγο, απενεργοποιήστε το ηλεκτρικό εργαλείο και κρατήστε το ηλεκτρικό εργαλείο ακίνητο μέχρι να ακινητοποιηθεί τελείως ο τροχός. Ποτέ μην προσπαθήσετε να αφαιρέσετε τον τροχό κοπής από το σημείο κοπής όταν ο τροχός κινείται, διαφορετικά μπορεί να προκληθεί ανάκρουση. Βρείτε την αιτία του προβλήματος και προβείτε σε διορθωτικές ενέργειες για να εξαλειφθεί η αιτία που προκάλεσε την εμπλοκή του τροχού.
- ♦ Μην ξεκινήσετε πάλι την εργασία κοπής μέσα στο κατεργαζόμενο τεμάχιο. Αφήστε τον τροχό να αποκτήσει την πλήρη ταχύτητά του και εισαγάγετε τον ξανά προσεκτικά στο σημείο κοπής. Ο τροχός μπορεί να ακινητοποιηθεί, να "σκαρφλώσει" προς τα πάνω ή να κάνει ανάκρουση, εάν το ηλεκτρικό εργαλείο επανεκκινήθει μέσα στο κατεργαζόμενο τεμάχιο.
- ♦ Στηρίξτε τα μεγάλα φύλλα ή οποιοδήποτε υπερμέγεθες κατεργαζόμενο τεμάχιο, για να ελαχιστοποιηθεί ο κίνδυνος τυχόν εμπλοκής και ανάκρουσης του τροχού. Τα μεγάλα κατεργαζόμενα τεμάχια έχουν την τάση να υποχωρούν υπό το βάρος τους. Θα πρέπει να τοποθετούνται στηρίγματα κάτω από το κατεργαζόμενο τεμάχιο, κοντά στη γραμμή κοπής και κοντά στην άκρη του κατεργαζόμενου τεμαχίου και στις δύο πλευρές του τροχού.
- ♦ Να προσέχετε πάρα πολύ κατά την εκτέλεση "κοπής εσοχής" μέσα σε ήδη υπάρχοντες τοίχους ή άλλες επιφάνειες στις οποίες δεν υπάρχει ορατότητα. Ο τροχός που προεξέχει μπορεί να κόψει σωλήνες αερίου ή νερού, ηλεκτρικά καλώδια ή αντικείμενα που μπορεί να προκαλέσουν ανάκρουση.

### Ειδικές προειδοποιήσεις ασφάλειας για εργασίες λείανσης

- ♦ Μην χρησιμοποιείτε υπερμέγεθες γυαλόχαρτο στο δίσκο. Τηρήστε τις συστάσεις του κατασκευαστή κατά την επιλογή του γυαλόχαρτου. Μεγαλύτερο γυαλόχαρτο, το οποίο προεξέχει από το δίσκο λείανσης, κινδυνεύει να σκιστεί και μπορεί να προκαλέσει εμπλοκή, σκίσιμο του δίσκου ή ανάκρουση.

### Ειδικές προειδοποιήσεις ασφάλειας για εργασίες στίλβωσης

- ♦ Μην επιτρέψετε την ελεύθερη περιστροφή οποιοδήποτε χαλαρό τμήματος του καλύμματος στίλβωσης ή των μίαντων στερέωσης. Κρύψτε στο εσωτερικό ή κόψτε τυχόν ελεύθερους μίαντες στερέωσης. Ελεύθεροι και περιστρεφόμενοι μίαντες στερέωσης μπορούν να εμπλακούν με τα δάχτυλά σας ή στο κατεργαζόμενο τεμάχιο.

### Ειδικές προειδοποιήσεις ασφάλειας για εργασίες με χρήση συρματόβουρτσας

- ♦ Θα πρέπει να γνωρίζετε ότι οι συρματινές τρίχες εκσφενδονίζονται από τη βούρτσα ακόμα και κατά την κανονική λειτουργία. Μην καταπονείτε υπερβολικά τα σύρματα εφαρμόζοντας υπερβολικό φορτίο στη βούρτσα. Οι συρματινές τρίχες μπορούν εύκολα να διαπεράσουν ελαφρύ ρουχισμό ή/και την επιδερμίδα.
- ♦ Εάν συνιστάται η χρήση ενός προστατευτικού κατά τη χρήση συρματόβουρτσας, μην επιτρέψετε οποιαδήποτε εμπλοκή του συρματοτροχού ή της βούρτσας με το προστατευτικό. Η διάμετρος του συρματοτροχού και της συρματόβουρτσας μπορεί να αυξηθεί εξαιτίας του φόρτου εργασίας και των φυγόκεντρων δυνάμεων.

### Ασφάλεια τρίτων

- ♦ Αυτή η συσκευή δεν προορίζεται για χρήση από άτομα (στα οποία περιλαμβάνονται και τα παιδιά) με μειωμένες φυσικές, αντιληπτικές ή διανοητικές ικανότητες ή άτομα χωρίς εμπειρία και γνώσεις, παρά μόνο εφόσον επιτηρούνται ή τους έχουν δοθεί οδηγίες σχετικά με τη χρήση του εργαλείου από άτομο υπεύθυνο για την ασφάλειά τους.
- ♦ Τα παιδιά πρέπει να επιτηρούνται για να διασφαλίζεται ότι δεν παίζουν με τη συσκευή.

### Αναπόφευκτοι κίνδυνοι.

Μπορεί να προκληθούν επιπρόσθετοι αναπόφευκτοι κίνδυνοι όταν χρησιμοποιείτε το εργαλείο οι οποίοι μπορεί να μη συμπεριλαμβάνονται στις προειδοποιήσεις ασφαλείας που εσωκλείονται. Αυτοί οι κίνδυνοι μπορεί να προκληθούν από κακή χρήση, παρατεταμένη χρήση κτλ.

Ακόμα και με την τήρηση των σχετικών κανονισμών ασφαλείας και τη χρήση μέσων προστασίας, ορισμένοι κίνδυνοι δεν είναι δυνατό να εξαλειφθούν. Αυτοί περιλαμβάνουν:

- ♦ Τραυματισμούς από το άγγιγμα των περιστρεφόμενων/κινούμενων μερών.
- ♦ Τραυματισμούς από αλλαγή οποιωνδήποτε εξαρτημάτων, λεπίδων ή εξαρτημάτων.
- ♦ Τραυματισμούς από παρατεταμένη χρήση του εργαλείου. Όταν χρησιμοποιείτε οποιοδήποτε εργαλείο για παρατεταμένες χρονικές περιόδους βεβαιωθείτε ότι κάνετε τακτικά διαλείμματα.
- ♦ Προβλήματα ακοής.
- ♦ Κίνδυνοι στην υγεία που προκαλούνται από την εισπνοή σκόνης όταν χρησιμοποιείτε το εργαλείο (παράδειγμα:- όταν επεξεργάζεστε ξύλο, ειδικά δρυ, οξιά και MDF.)

## Δόνηση

Η δηλωμένη τιμή εκπομπής δόνησης που αναφέρεται στα τεχνικά χαρακτηριστικά και τη δήλωση συμμόρφωσης έχει μετρηθεί σύμφωνα με μια τυποποιημένη μέθοδο δοκιμής που παρέχεται από το πρότυπο EN 60745 και μπορεί να χρησιμοποιηθεί για τη σύγκριση ενός εργαλείου με ένα άλλο. Η δηλωμένη τιμή εκπομπής δόνησης μπορεί επίσης να χρησιμοποιηθεί σε έναν προκαταρκτικό προσδιορισμό της έκθεσης.

**Προειδοποίηση!** Η τιμή εκπομπής δόνησης κατά την πραγματική χρήση του ηλεκτρικού εργαλείου μπορεί να διαφέρει από τη δηλωμένη τιμή, ανάλογα με το τρόπο που χρησιμοποιείται το εργαλείο. Τα επίπεδα δονήσεων μπορούν να αυξηθούν πάνω από το επίπεδο που έχει δηλωθεί.

Κατά τον προσδιορισμό της έκθεσης σε δόνηση για τον καθορισμό των απαιτούμενων μέτρων ασφάλειας σύμφωνα με την οδηγία 2002/44/EK για την προστασία προσώπων που χρησιμοποιούν συχνά ηλεκτρικά εργαλεία στην εργασία τους, μια προεγγιστική εκτίμηση της έκθεσης σε δόνηση πρέπει να λαμβάνει υπόψη τις πραγματικές συνθήκες χρήσης και τον τρόπο χρήσης του εργαλείου, συμπεριλαμβανομένων και όλων των επιμέρους τμημάτων του κύκλου εργασίας, όπως, πόσες φορές τέθηκε το εργαλείο εκτός λειτουργίας, τότε είναι σε λειτουργία χωρίς φορτίο και επιπρόσθετα ο χρόνος πίεσης της σκανδάλης.

## Ετικέτες στο εργαλείο

Τα ακόλουθα εικονογράμματα εμφανίζονται στο εργαλείο:



**Προειδοποίηση!** Για να μειωθεί ο κίνδυνος τραυματισμού, ο χρήστης πρέπει να διαβάσει το εγχειρίδιο οδηγιών.



Φοράτε προστατευτικά γυαλιά όταν χρησιμοποιείτε αυτό το εργαλείο.



Να φοράτε ωτοασπίδες κατά το χειρισμό αυτού του εργαλείου.

## Ασφαλής χρήση ηλεκτρικού ρεύματος



Αυτό το εργαλείο διαθέτει διπλή μόνωση, επομένως δεν απαιτείται καλώδιο γείωσης. Ελέγχετε πάντοτε αν η τάση τροφοδοσίας αντιστοιχεί σε αυτήν που αναγράφεται στην πινακίδα στοιχείων.

- ♦ Αν το καλώδιο ρεύματος έχει υποστεί φθορά, πρέπει να αντικατασταθεί από τον κατασκευαστή ή από ένα εξουσιοδοτημένο κέντρο της Black & Decker, ώστε να μην αποτελέσει κίνδυνο.

## Χαρακτηριστικά

Το εργαλείο αυτό διαθέτει μερικά ή όλα από τα παρακάτω χαρακτηριστικά.

1. Διακόπτης on/off
2. Πλευρική λαβή
3. Κλειδωμά ατράκτου
4. Προστατευτικό

## Συναρμολόγηση

**Προειδοποίηση!** Πριν από τη συναρμολόγηση, βεβαιωθείτε ότι το εργαλείο είναι απενεργοποιημένο και ότι το φως δεν είναι στην πρίζα.

## Τοποθέτηση και αφαίρεση του προστατευτικού (εικ. Α)

Το εργαλείο παρέχεται με έναν προστατευτικό που προορίζεται μόνο για εργασίες λείανσης. Εάν θελήσετε να χρησιμοποιήσετε τη συσκευή για να εκτελέσετε εργασίες κοπής, πρέπει να τοποθετήσετε ένα ειδικό για αυτή τη χρήση προστατευτικό. Διατίθενται κατάλληλα προστατευτικά για εργασίες κοπής με αριθμό εξαρτήματος 1004484-06 για το KG701/KG901 και 1004484-07 για το KG902, τα οποία μπορείτε να προμηθευθείτε από τα κέντρα τεχνικής εξυπηρέτησης της Black & Decker.

## Τοποθέτηση

- ♦ Τοποθετήστε το εργαλείο σε ένα τραπέζι, με την άτρακτο (5) στραμμένη προς τα επάνω.
- ♦ Απελευθερώστε το σφιγκτήρα ασφάλισης (7) και κρατήστε το προστατευτικό (4) πάνω από το εργαλείο όπως εικονίζεται.
- ♦ Ευθυγραμμίστε τις προεξοχές (8) με τις εγκοπές (9).
- ♦ Πιέστε το προστατευτικό προς τα κάτω και περιστρέψτε το αριστερόστροφα μέχρι την επιθυμητή θέση.
- ♦ Κλείστε το σφιγκτήρα ασφάλισης (7) για να ασφαλίσετε το προστατευτικό στο εργαλείο.
- ♦ Εάν χρειάζεται, σφίξτε τη βίδα (6) για να αυξήσετε τη δύναμη σύσφιξης.

## Αφαίρεση

- ♦ Απελευθερώστε το σφιγκτήρα ασφάλισης (7).
- ♦ Περιστρέψτε το προστατευτικό δεξιόστροφα για να ευθυγραμμίστε τις προεξοχές (8) με τις εγκοπές (9).
- ♦ Αφαιρέστε το προστατευτικό από το εργαλείο.

**Προειδοποίηση!** Μην χρησιμοποιείτε ποτέ το εργαλείο χωρίς το προστατευτικό.

## Τοποθέτηση της πλευρικής λαβής

- ♦ Βιδώστε την πλευρική λαβή (2) σε μία από τις οπές τοποθέτησης στο εργαλείο.

**Προειδοποίηση!** Χρησιμοποιείτε πάντοτε την πλευρική λαβή.

## Τοποθέτηση και αφαίρεση των δίσκων λείανσης και κοπής (εικ. Β - D)

Χρησιμοποιείτε πάντοτε το σωστό τύπο δίσκου για την εφαρμογή σας. Πάντοτε χρησιμοποιείτε δίσκους με τη σωστή διάμετρο και μέγεθος οπής (βλέπε τεχνικά χαρακτηριστικά).

### Τοποθέτηση

- ◆ Τοποθετήστε το προστατευτικό όπως περιγράφεται παραπάνω.
- ◆ Τοποθετήστε την εσωτερική φλάντζα (10) στην άτρακτο (5) όπως εικονίζεται (εικ. Β). Βεβαιωθείτε ότι η φλάντζα έχει τοποθετηθεί σωστά στις επίπεδες πλευρές της άτρακτου.
- ◆ Τοποθετήστε το δίσκο (11) στην άτρακτο (5) όπως εικονίζεται (εικ. Β). Εάν ο δίσκος έχει ανυψωμένο κέντρο (12), βεβαιωθείτε ότι το ανυψωμένο κέντρο είναι στραμμένο προς την εσωτερική φλάντζα.
- ◆ Βεβαιωθείτε ότι ο δίσκος τοποθετείται σωστά στην εσωτερική φλάντζα.
- ◆ Τοποθετήστε την εξωτερική φλάντζα (13) στην άτρακτο. Κατά την τοποθέτηση δίσκου λείανσης, το ανυψωμένο κέντρο στην εξωτερική φλάντζα πρέπει να είναι στραμμένο προς το δίσκο (Α στην εικ. C). Κατά την τοποθέτηση δίσκου κοπής, το ανυψωμένο κέντρο στην εξωτερική φλάντζα πρέπει να είναι στραμμένο αντίθετα στο δίσκο (Β στην εικ. C).
- ◆ Κρατήστε πατημένο το κλειδίωμα άτρακτου (3) και σφίξτε την εξωτερική φλάντζα με το κλειδί δύο πείρων (14) (εικ. D).

### Αφαίρεση

- ◆ Κρατήστε πατημένο το κλειδίωμα άτρακτου (3) και χαλαρώστε την εξωτερική φλάντζα (13) με το κλειδί δύο πείρων (14) (εικ. D).
- ◆ Αφαιρέστε την εξωτερική φλάντζα (13) και το δίσκο (11).

## Τοποθέτηση και αφαίρεση δίσκων λείανσης (εικ. D & E)

Για τη λείανση απαιτείται μια βάση υποστήριξης. Η βάση υποστήριξης διατίθεται από τους εμπόρους Black & Decker ως εξάρτημα.

### Τοποθέτηση

- ◆ Τοποθετήστε την εσωτερική φλάντζα (10) στην άτρακτο (5) όπως εικονίζεται (εικ. E). Βεβαιωθείτε ότι η φλάντζα έχει τοποθετηθεί σωστά στις επίπεδες πλευρές της άτρακτου.
- ◆ Τοποθετήστε τη βάση υποστήριξης (15) στην άτρακτο.
- ◆ Τοποθετήστε το δίσκο λείανσης (16) επάνω στη βάση υποστήριξης.
- ◆ Τοποθετήστε την εξωτερική φλάντζα (13) στην άτρακτο με το υπερυψωμένο τμήμα στραμμένο αντίθετα στο δίσκο.

- ◆ Κρατήστε πατημένο το κλειδίωμα άτρακτου (3) και σφίξτε την εξωτερική φλάντζα με το κλειδί δύο πείρων (14) (εικ. D). Βεβαιωθείτε ότι η εξωτερική φλάντζα έχει τοποθετηθεί σωστά και ότι ο δίσκος είναι σφιγμένος καλά.

### Αφαίρεση

- ◆ Κρατήστε πατημένο το κλειδίωμα άτρακτου (3) και χαλαρώστε την εξωτερική φλάντζα (13) με το κλειδί δύο πείρων (14) (εικ. D).
- ◆ Αφαιρέστε την εξωτερική φλάντζα (13), το δίσκο λείανσης (16) και τη βάση υποστήριξης (15).

## Χρήση

**Προειδοποίηση!** Αφήστε το εργαλείο να λειτουργήσει με το δικό του ρυθμό. Μην το υπερφορτώνετε.

- ◆ Καθοδηγείτε προσεκτικά το καλώδιο ώστε να αποφευχθεί το ενδεχόμενο να κοπεί κατά λάθος.
- ◆ Να είστε προετοιμασμένοι για μια βροχή από σπινθήρες όταν ο δίσκος λείανσης ή κοπής αγγίζει το κατεργαζόμενο τεμάχιο.
- ◆ Πάντα τοποθετείτε το εργαλείο κατά τέτοιο τρόπο, ώστε το προστατευτικό να παρέχει άριστη προστασία από το δίσκο λείανσης ή κοπής.

## Ενεργοποίηση και απενεργοποίηση

- ◆ Για να ενεργοποιήσετε το εργαλείο, σπρώξτε το διακόπτη λειτουργίας (1) προς τα εμπρός. Σημειώστε ότι το εργαλείο θα συνεχίσει να λειτουργεί όταν απελευθερώσετε το διακόπτη.
- ◆ Για να το απενεργοποιήσετε, πιέστε το πίσω μέρος του διακόπτη on/off.

**Προειδοποίηση!** Μην απενεργοποιείτε το εργαλείο όταν βρίσκεται υπό φορτίο.

## Συμβουλές για άριστη χρήση

- ◆ Κρατάτε γερά το εργαλείο με το ένα χέρι γύρω από την πλευρική λαβή και το άλλο χέρι γύρω από την κύρια λαβή.
- ◆ Κατά τη λείανση, πάντοτε διατηρείτε μια γωνία περίπου 15° μεταξύ του δίσκου και της επιφάνειας του κατεργαζόμενου τεμαχίου.

## Συντήρηση

Αυτή η συσκευή/εργαλείο με καλώδιο/χωρίς καλώδιο της Black & Decker έχει σχεδιαστεί έτσι ώστε να λειτουργεί για μεγάλο χρονικό διάστημα με την ελάχιστη δυνατή συντήρηση. Η αδιάλειπτη και ικανοποιητική λειτουργία εξαρτάται από τη σωστή φροντίδα του εργαλείου και τον τακτικό καθαρισμό του.

**Προειδοποίηση!** Πριν πραγματοποιήσετε οποιαδήποτε συντήρηση σε ηλεκτρικά εργαλεία με καλώδιο/χωρίς καλώδιο:

- ◆ Απενεργοποιήστε και αποσυνδέστε τη συσκευή/εργαλείο από την πρίζα.
- ◆ Ή απενεργοποιήστε και αφαιρέστε την μπαταρία από τη συσκευή/εργαλείο εάν η συσκευή/εργαλείο διαθέτει ξεχωριστή μπαταρία.
- ◆ Ή χρησιμοποιήστε την μπαταρία μέχρι να αδειάσει εντελώς και στη συνέχεια απενεργοποιήστε.
- ◆ Πριν καθαρίσετε το φορτιστή, αποσυνδέστε τον από την πρίζα. Ο φορτιστής σας δεν απαιτεί κάποια συντήρηση εκτός του τακτικού καθαρισμού.
- ◆ Να καθαρίζετε τακτικά τις εγκοπές εξαιρισμού της συσκευής/εργαλείου/φορτιστή με μια μαλακή βούρτσα ή με ένα στεγνό πανί.
- ◆ Να καθαρίζετε τακτικά το περίβλημα του μοτέρ με ένα υγρό πανί. Μη χρησιμοποιείτε λειαντικά ή υγρά καθαρισμού που περιέχουν διαλυτικά.
- ◆ Να ανοίγετε τακτικά το τσοκ και να το χτυπάτε ελαφρά για να αφαιρείται η σκόνη από το εσωτερικό του (εφόσον εφαρμόζεται).

## Αντικατάσταση του ρευματολήπτη (H.B. & Ιρλανδία μόνο)

Αν χρειαστεί να εγκαταστήσετε έναν καινούριο ρευματολήπτη (φίς):

- ◆ Απορρίψτε με ασφαλή τρόπο το παλιό φίς.
- ◆ Συνδέστε τον καφέ αγωγό στον ηλεκτροφόρο ακροδέκτη του νέου ρευματολήπτη.
- ◆ Συνδέστε τον μπλε αγωγό στον ουδέτερο ακροδέκτη.

**Προειδοποίηση!** Δε χρειάζεται καμία σύνδεση στον ακροδέκτη γείωσης. Ακολουθήστε τις οδηγίες τοποθέτησης που παρέχονται με τους καλής ποιότητας ρευματολήπτες (φίς). Προτεινόμενη ασφάλεια τήσης: 13 Α.

## Προστασία του περιβάλλοντος



Επιλεκτική περισυλλογή. Αυτό το προϊόν δεν πρέπει να απορρίπτεται μαζί με τα κοινά οικιακά απορρίμματα.

Εάν κάποια μέρα διαπιστώσετε ότι το προϊόν σας Black & Decker χρειάζεται αντικατάσταση ή ότι δεν το χρειάζεστε άλλο, μην το απορρίψετε μαζί με τα κοινά οικιακά απορρίμματα, αλλά διαθέστε αυτό το προϊόν για ξεχωριστή περισυλλογή.



Η ξεχωριστή συλλογή των μεταχειρισμένων προϊόντων και των υλικών συσκευασίας επιτρέπει την ανακύκλωση και επαναχρησιμοποίησης των υλικών. Με την επαναχρησιμοποίηση των ανακυκλωμένων υλικών αποτρέπεται η μόλυνση του περιβάλλοντος και μειώνεται η ζήτηση πρώτων υλών.

Οι κανονισμοί που ισχύουν στην περιοχή σας ενδέχεται να προβλέπουν την ξεχωριστή περισυλλογή των ηλεκτρικών συσκευών που προέρχονται από νοικοκυριά σε δημοτικές εγκαταστάσεις απορριμμάτων ή από τον έμπορο όταν αγοράζετε ένα καινούργιο προϊόν.

Η Black & Decker δίνει τη δυνατότητα ανακύκλωσης των προϊόντων της που έχουν συμπληρώσει τη διάρκεια ζωής τους. Για να χρησιμοποιήσετε αυτήν την υπηρεσία, επιστρέψτε το προϊόν σας σε οποιοδήποτε εξουσιοδοτημένο κέντρο τεχνικής εξυπηρέτησης, όπου θα το παραλάβουν εκ μέρους μας.

Ενημερωθείτε για το πλησιέστερο εξουσιοδοτημένο κέντρο τεχνικής εξυπηρέτησης της περιοχής σας, επικοινωνώντας με τα γραφεία της Black & Decker στη διεύθυνση που αναγράφεται στο εγχειρίδιο. Επίσης, μια λίστα με τα εξουσιοδοτημένα κέντρα τεχνικής εξυπηρέτησης της Black & Decker και πλήρεις λεπτομέρειες για τις υπηρεσίες που παρέχονται μετά την πώληση καθώς και στοιχεία επικοινωνίας υπάρχουν στο Διαδίκτυο, στη διεύθυνση: [www.2helpU.com](http://www.2helpU.com)

## Τεχνικά χαρακτηριστικά

		KG701 (Type 1)	KG901 (Type 1)	KG902 (Type 1)
Τάση εισόδου	V <sub>ac</sub>	230	230	230
Ισχύς εισόδου	W	710	900	900
Ταχύτητα χωρίς φορτίο	min <sup>-1</sup>	10,500	11,000	11,000
Διάμετρος δίσκου	mm	115	115	125
Εσωτ. διάμετρος δίσκου	mm	22	22	22
<b>Μεγ. πάχος δίσκου</b>				
δίσκοι λειανσης	mm	6	6	6
δίσκοι κοπής	mm	3.5	3.5	3.5
Μέγεθος ατράκτου		M14	M14	M14
Βάρος	kg	2.1	2.1	2.1

$L_{pA}$ (ηχητική πίεση) 92.6 dB(A), Αβεβαιότητα (K) 3 dB(A)
$L_{WA}$ (ηχητική ισχύς) 103.6 dB(A), Αβεβαιότητα (K) 3 dB(A)
Οι συνολικές τιμές δόνησης (διανυσματικό άθροισμα τριών αξόνων) κατά EN 60745:
Λείανση επιφάνειας ( $a_{h,SG}$ ) 9.9 m/s <sup>2</sup> , αβεβαιότητα (K) 1.5 m/s <sup>2</sup>
Αποκοπή ( $a_h$ ) 6.2 m/s <sup>2</sup> , αβεβαιότητα (K) 1.5 m/s <sup>2</sup>
Στίλβωση ( $a_{h,p}$ ) 4.6 m/s <sup>2</sup> , αβεβαιότητα (K) 1.5 m/s <sup>2</sup>
Λείανση με δίσκο ( $a_{h,DS}$ ) 9.6 m/s <sup>2</sup> , αβεβαιότητα (K) 1.5 m/s <sup>2</sup>
Χρήση συρματόβουρτσας ( $a_h$ ) 10.2 m/s <sup>2</sup> , αβεβαιότητα (K) 1.5 m/s <sup>2</sup>

## Δήλωση συμμόρφωσης EK

ΟΔΗΓΙΑ ΠΕΡΙ ΜΗΧΑΝΗΜΑΤΩΝ



KG701 / KG901 / KG902

Η Black & Decker δηλώνει ότι τα προϊόντα αυτά που περιγράφονται στα "τεχνικά χαρακτηριστικά" συμμορφώνονται με:

2006/42/EK, EN 60745-1, EN 60745-2-3

Αυτά τα προϊόντα συμμορφώνονται επίσης με την Οδηγία 2004/108/EK και 2011/65/EE.

Για περισσότερες πληροφορίες, παρακαλείστε να επικοινωνήσετε με την Black & Decker στην παρακάτω διεύθυνση ή να ανατρέξετε στο πίσω μέρος του χειριδίου. Ο κάτωθι υπογεγραμμένος είναι υπεύθυνος για την κατάρτιση του τεχνικού φακέλου και δηλώνει τα παρόντα εκ μέρους της Black & Decker.

Kevin Hewitt

Αντιπρόεδρος παγκόσμιας μηχανικής  
Black & Decker Europe, 210 Bath Road, Slough,  
Berkshire, SL1 3YD, United Kingdom  
30/03/2012

## Εγγύηση

Η Black & Decker είναι σίγουρη για την ποιότητα των προϊόντων της και παρέχει μια εξαιρετική εγγύηση. Η παρούσα γραπτή εγγύηση αποτελεί πρόσθετο δικαίωμά σας και δεν ζημιώνει τα νόμιμα δικαιώματά σας. Η εγγύηση ισχύει εντός της επικράτειας των Κρατών Μελών της Ευρωπαϊκής Ένωσης και της Ευρωπαϊκής Ζώνης Ελευθέρων Συναλλαγών.

Σε περίπτωση που κάποιο προϊόν της Black & Decker παρουσιάσει βλάβη εξαιτίας ελαττωματικών υλικών, ποιότητας εργασίας ή έλλειψης συμφωνίας με τις προδιαγραφές εντός 24 μηνών από την ημερομηνία αγοράς, η Black & Decker εγγυάται την αντικατάσταση των ελαττωματικών τμημάτων, την επισκευή προϊόντων που έχουν υποστεί εύλογη φθορά λόγω χρήσης ή την αντικατάσταση των προϊόντων προκειμένου να εξασφαλίσει την ελάχιστη ενόχληση στους πελάτες της, εκτός εάν:

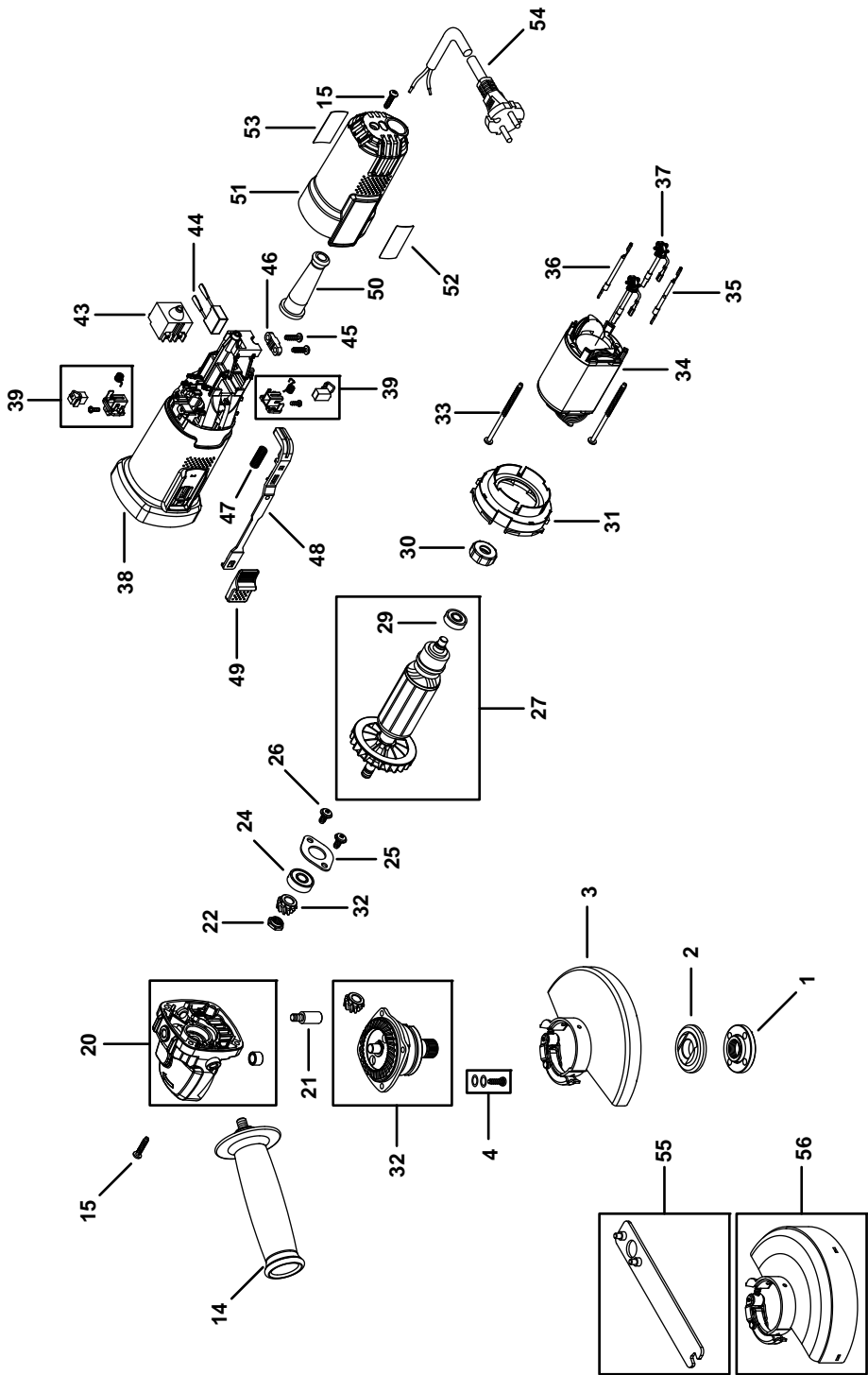
- ◆ Το προϊόν έχει χρησιμοποιηθεί σε εργασιακό, επαγγελματικό περιβάλλον ή έχει εννοικιαστεί.
- ◆ Έχει γίνει εσφαλμένη χρήση του προϊόντος ή έχει παραμεληθεί.
- ◆ Το προϊόν έχει υποστεί βλάβη από άλλα αντικείμενα, από ουσίες ή λόγω ατυχήματος.
- ◆ Έχει γίνει προσπάθεια επισκευής από μη εξουσιοδοτημένα κέντρα τεχνικής εξυπηρέτησης ή από προσωπικό που δεν ανήκει στο προσωπικό της Black & Decker.

Για να ισχύσει η εγγύηση, πρέπει να υποβάλετε απόδειξη αγοράς στον πωλητή ή το εξουσιοδοτημένο κέντρο τεχνικής εξυπηρέτησης. Ενημερωθείτε για το πλησιέστερο εξουσιοδοτημένο κέντρο τεχνικής εξυπηρέτησης της περιοχής σας, επικοινωνώντας με τα γραφεία της Black & Decker στη διεύθυνση που αναγράφεται στο χειριδίδιο. Επίσης, μια λίστα με τα εξουσιοδοτημένα κέντρα τεχνικής εξυπηρέτησης της Black & Decker και πλήρεις λεπτομέρειες για τις υπηρεσίες που παρέχονται μετά την πώληση καθώς και στοιχεία επικοινωνίας υπάρχουν στο Διαδίκτυο, στη διεύθυνση: [www.2helpU.com](http://www.2helpU.com)

Παρακαλούμε επισκεφθείτε την ιστοσελίδα μας [www.blackanddecker.gr](http://www.blackanddecker.gr) για να καταχωρήσετε το νέο σας προϊόν Black & Decker και για να ενημερωέστε για τα νέα προϊόντα και τις ειδικές προσφορές. Περισσότερες πληροφορίες σχετικά με τη μάρκα Black & Decker και τη σειρά των προϊόντων μας θα βρείτε στη διεύθυνση [www.blackanddecker.gr](http://www.blackanddecker.gr)

# KG901 - KG902 - KG701

TYP.  
1



## ENGLISH

Do not forget to register your product!

[www.blackanddecker.co.uk/productregistration](http://www.blackanddecker.co.uk/productregistration)  
Register your product online at [www.blackanddecker.co.uk/productregistration](http://www.blackanddecker.co.uk/productregistration) or send your name, surname and product code to Black & Decker in your country

## DEUTSCH

Vergessen Sie nicht, Ihr Produkt registrieren zu lassen!

[www.blackanddecker.de/productregistration](http://www.blackanddecker.de/productregistration)  
Lassen Sie Ihr Produkt unter [www.blackanddecker.de/productregistration](http://www.blackanddecker.de/productregistration) online registrieren oder schicken Sie Ihren Nachnamen, Vornamen und den Produktcode an Black & Decker in Ihrem Land.

## FRANÇAIS

N'oubliez pas d'enregistrer votre produit !

[www.blackanddecker.fr/productregistration](http://www.blackanddecker.fr/productregistration)  
Enregistrez votre produit en ligne sur [www.blackanddecker.fr/productregistration](http://www.blackanddecker.fr/productregistration) ou envoyez vos nom, prénom et code produit à Black & Decker dans votre pays.

## ITALIANO

Non dimenticate di registrare il prodotto!

[www.blackanddecker.it/productregistration](http://www.blackanddecker.it/productregistration)  
Registrate il prodotto online su [www.blackanddecker.it/productregistration](http://www.blackanddecker.it/productregistration) o inviate nome, cognome e codice del prodotto al centro Black & Decker del vostro paese.

## NEDERLANDS

Vergeet niet uw product te registreren!

[www.blackanddecker.nl/productregistration](http://www.blackanddecker.nl/productregistration)  
U kunt uw product online registreren op [www.blackanddecker.nl/productregistration](http://www.blackanddecker.nl/productregistration) of u kunt uw voornaam, achternaam en productcode opsturen naar Black & Decker in uw land.

## ESPAÑOL

¡No olvide registrar su producto!

[www.blackanddecker.es/productregistration](http://www.blackanddecker.es/productregistration)  
Registre su producto on-line en [www.blackanddecker.es/productregistration](http://www.blackanddecker.es/productregistration) o envíe su nombre, apellidos y código de producto a Black & Decker en su país.

## PORTUGUÊS

Não se esqueça de registar o seu produto!

[www.blackanddecker.pt/productregistration](http://www.blackanddecker.pt/productregistration)  
Registe o seu produto online em [www.blackanddecker.pt/productregistration](http://www.blackanddecker.pt/productregistration) ou envie o seu nome, apelido e código do produto para a Black & Decker no seu país.

## SVENSKA

Glöm inte att registrera produkten!

[www.blackanddecker.se/productregistration](http://www.blackanddecker.se/productregistration)  
Registrera produkten online på [www.blackanddecker.se/productregistration](http://www.blackanddecker.se/productregistration) eller skicka namn och produktkod till Black & Decker i landet du bor i.

## NORSK

Ikke glem å registrere produktet ditt!

[www.blackanddecker.no/productregistration](http://www.blackanddecker.no/productregistration)  
Registrer produktet ditt online på [www.blackanddecker.no/productregistration](http://www.blackanddecker.no/productregistration), eller send ditt navn, etternavn og produktkode til Black & Decker i ditt eget land.

## DANSK

Glem ikke at registrere dit produkt!

[www.blackanddecker.dk/productregistration](http://www.blackanddecker.dk/productregistration)  
Registrer dit produkt på internettet på: [www.blackanddecker.dk/productregistration](http://www.blackanddecker.dk/productregistration) eller send dit navn, efternavn og produktkode til Black & Decker i dit eget land.

## SUOMI

Muistathan rekisteröidä tuotteesi!

[www.blackanddecker.fi/productregistration](http://www.blackanddecker.fi/productregistration)  
Rekisteröi tuotteesi verkossa osoitteessa [www.blackanddecker.fi/productregistration](http://www.blackanddecker.fi/productregistration) tai lähetä etunimesi, sukunimesi ja tuotekoodi oman maasi Black & Decker -edustajalle.

## ΕΛΛΗΝΙΚΑ

Μην ξεχάσετε να καταχωρίσετε το προϊόν σας!

[www.blackanddecker.gr/productregistration](http://www.blackanddecker.gr/productregistration)  
Καταχωρίστε το προϊόν σας σε σύνδεση στη σελίδα [www.blackanddecker.gr/productregistration](http://www.blackanddecker.gr/productregistration) ή στείλτε το όνομα, επίθετο σας και τον κωδικό πριονιώς στη Black & Decker στη χώρα σας.

<b>België/Belgique</b>	Black & Decker (Belgium) N.V. Nieuwlandlaan 7 I.Z. Aarschot B156 3200 Aarschot	Tel. Fax Tel. Fax	+32 70 220 065 +32 70 225 585 +32 70 220 064 +32 70 222 441
<b>Danmark</b>	Black & Decker Sluseholmen 2-4, 2450 København SV Internet: <a href="http://www.blackanddecker.dk">www.blackanddecker.dk</a>	Tel. Fax	70 20 15 10 70 22 49 10
<b>Deutschland</b>	Black & Decker GmbH Black & Decker Str. 40, D - 65510 Idstein	Tel. Fax	06126 21-0 06126 21-2980
<b>Ελλάδα</b>	Black & Decker (Ελλάς) Α.Ε. Στράβωνος 7 & Λεωφ. Βουλιαγμένης 159 166 74 Γλυφάδα - Αθήνα	Τηλ. Φαξ <a href="http://www.blackanddecker.com">www.blackanddecker.com</a>	210 8981-616 210 8983-570
<b>España</b>	Black & Decker Ibérica, S.C.A. Parc de Negocis "Mas Blau" Edificio Muntadas, c/Bergadá, 1, Of. A6 08820 El Prat de Llobregat (Barcelona)	Tel. Fax	934 797 400 934 797 419
<b>France</b>	Black & Decker (France) S.A.S. 5 allée des Hêtres B.P. 30084 69579 Limonest Cédex	Tel. Fax	04 72 20 39 20 04 72 20 39 00
<b>Helvetia</b>	ROFO AG Gewerbezone Seeblick 3213 Kleinbörsingen	Tel. Fax	026-6749391 026-6749394
<b>Italia</b>	Black & Decker Italia Srl Viale Elvezia 2 20052 Monza (MI)	Tel. Fax Numero verde	039-23871 039-2387592 800-213935
<b>Nederland</b>	Black & Decker Benelux Joulehof 12, 4622 RG Bergen op Zoom	Tel. Fax	+31 164 283 065 +31 164 283 200
<b>Norge</b>	Black&Decker Postboks 4613, Nydalen 0405 Oslo	Tlf. Fax <a href="http://www.blackanddecker.no">www.blackanddecker.no</a>	45 25 13 00 45 25 08 00
<b>Österreich</b>	Black & Decker Vertriebsges.m.b.H Oberlaaerstraße 248, A-1230 Wien	Tel. Fax	01 66116-0 01 66116-614
<b>Portugal</b>	Black & Decker Centro de Escritórios de Sintra Avenida Almirante Gago Coutinho, 132/134, Edifício 142710-418 Sintra 2710-418 Lisboa	Tel. Fax	214667500 214667580
<b>Suomi</b>	Black & Decker Oy Tekniikantie 12, 02150 Espoo Almirante Gago Coutinho, 132/134, Edifício 142710-418 Sintra 2710-418 Lisboa	Puh. Faksi	010 400 430 0800 411 340
<b>Sverige</b>	Black & Decker AB Box 94, 431 22 Mölndal	Tel. Fax	031-68 60 60 031-68 60 80
<b>United Kingdom</b>	Black & Decker 210 Bath Road Slough, Berkshire SL1 3YD	Tel. Fax	01753 511234 01753 551155
<b>Middle East &amp; Africa</b>	Black & Decker P.O.Box - 17164 Jebel Ali (South Zone), Dubai, UAE	Tel. Fax	+971 4 8863030 +971 4 8863333