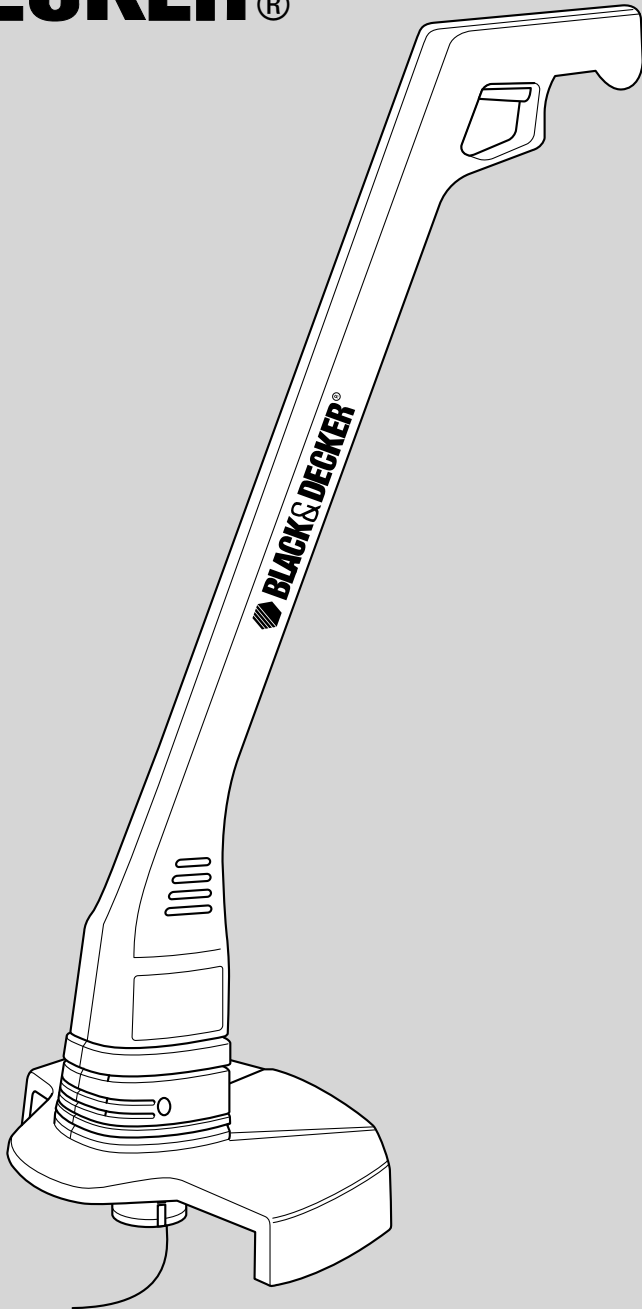
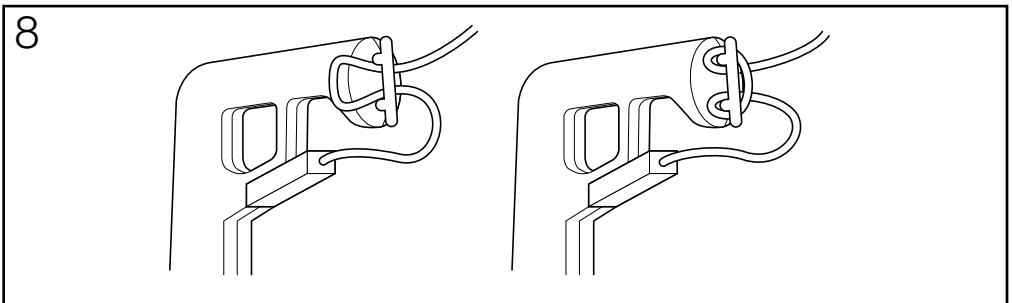
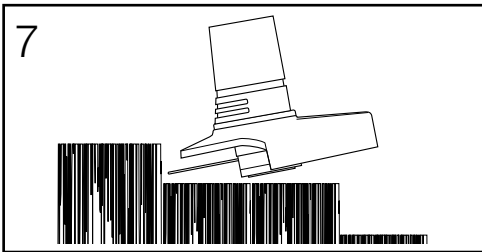
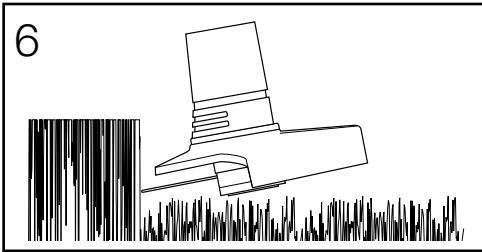
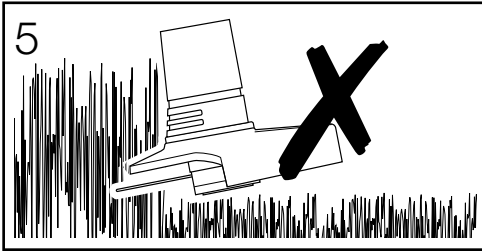
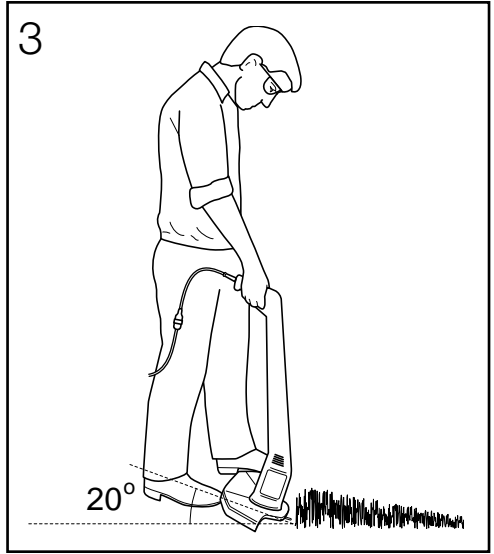
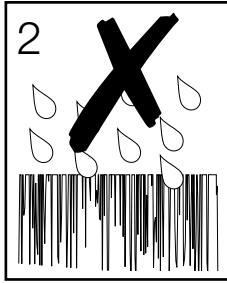
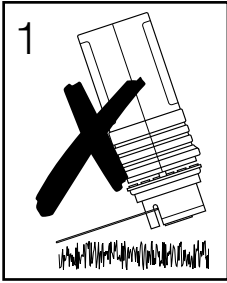
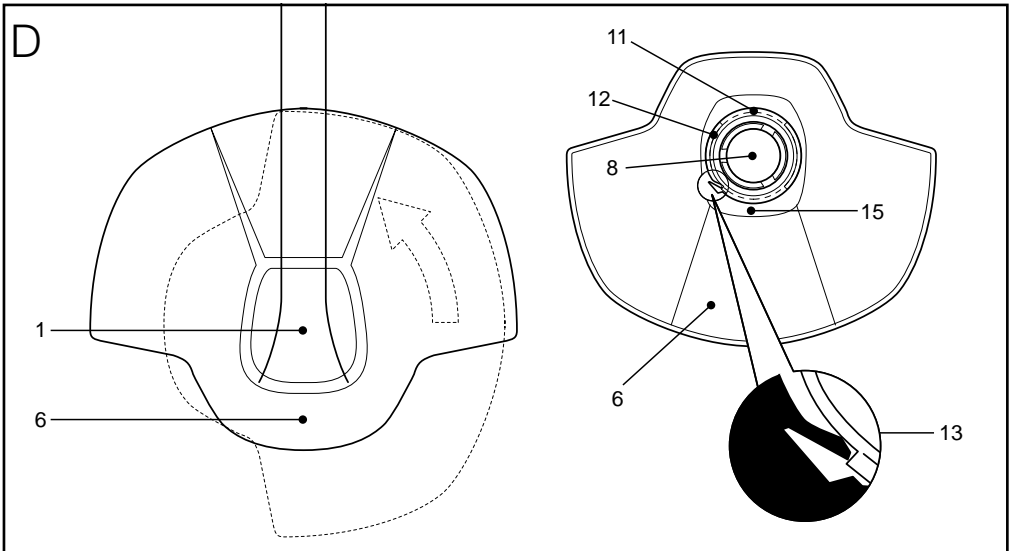
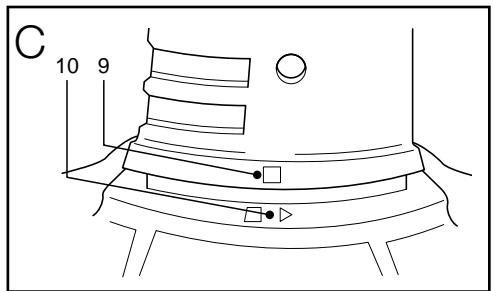
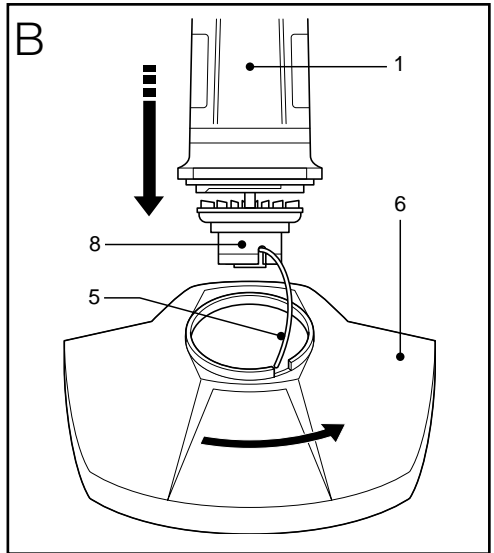
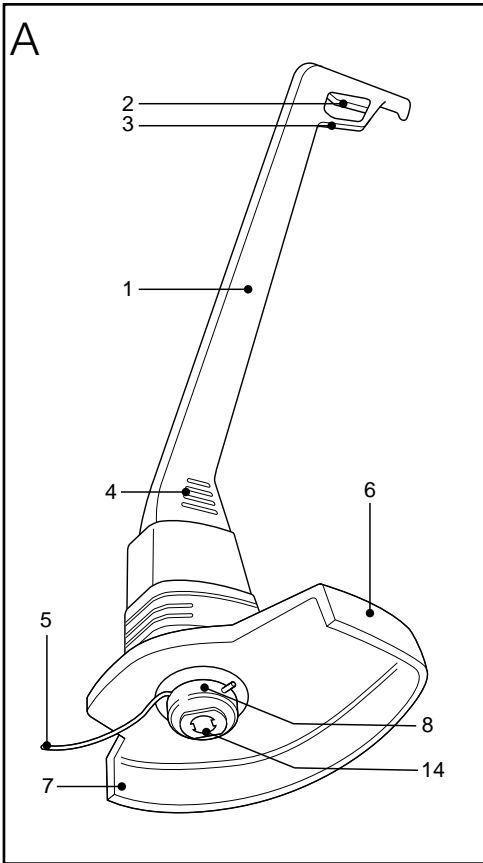


 **BLACK &  
DECKER®**

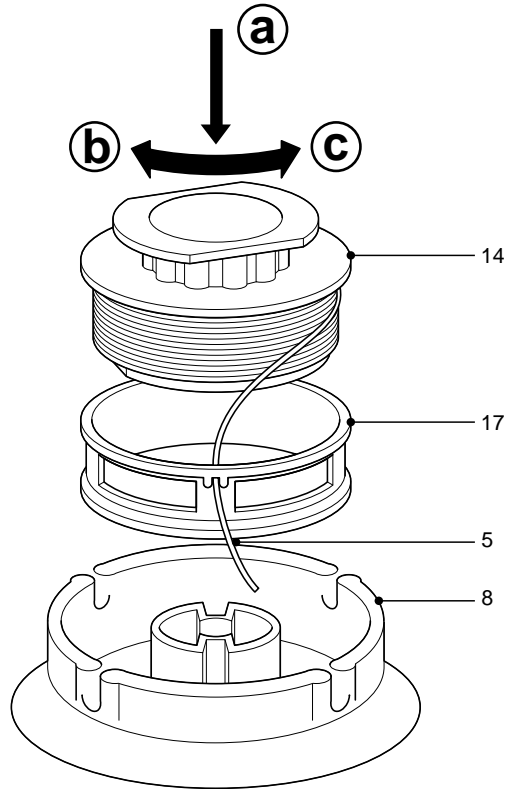


GL200  
GL300

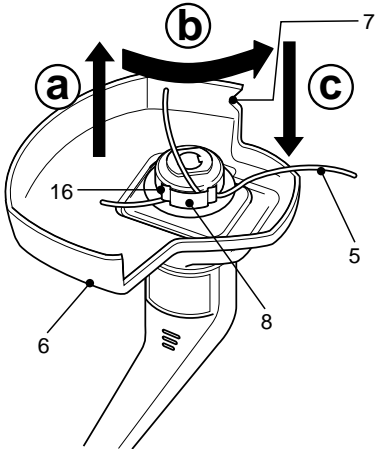




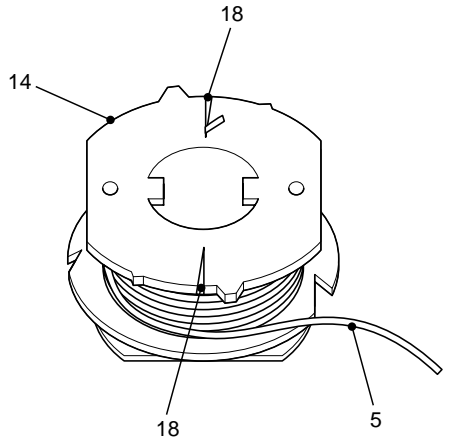
E



F



G



---

English

---

Italiano

---

Deutsch

---

Français

---

Nederlands

---

Español

---

Português

---

Ελληνικά

---

# String Trimmer GL200/GL300

## User manual

### Congratulations!

On your purchase of your Black & Decker string trimmer.

This user manual provides important operating and maintenance instructions for all of the string trimmers in the Black & Decker GL200/GL300 range.

Your trimmer has the following features for your benefit:

- Light body for ease and manoeuvrability.
- Switch guard to prevent accidental starting.
- Powerful motor to cope with most conditions.
- Sturdy guard for safety.

### Know your trimmer



Read all of this manual carefully, observing all the recommended safety instructions before, during and after using your trimmer, and maintain your trimmer in good working order.

Familiarise yourself with the controls on your trimmer before attempting to operate it, but above all, be sure you know how to stop your trimmer in an emergency.

Retain this user manual and all other literature supplied with your trimmer for future reference.

### Description

Following is a list of parts that will be mentioned in this user manual and are shown in the figures:

1. Body
2. Switch lever
3. Switch guard
4. Air slots
5. Nylon line
6. Guard
7. Line trimming blade
8. Spool housing
9. Square
10. Arrow
11. Ridge
12. Slot (Trimmer Body)
13. Spring finger
14. Spool
15. Guard screw hole

16. Slot (Spool housing)
17. Inner cover
18. Groove

### Safety instructions

#### Training

- Never allow children or persons who are unfamiliar with this type of trimmer to use it, nor anyone who has not read this user manual.
- Do not allow children, animals or other persons near your trimmer when in use - always keep them at least 6m (20ft) away from the cutting area.
- Remember that the operator is responsible for accidents or hazards occurring to other people or their property.
- Your trimmer is designed for use on AC (mains) electrical supplies only - do not attempt to use it on any other supply.
- Plug your trimmer into a power point - never a lighting socket.
- Never carry your trimmer by the cable or jerk the cable to separate the connectors. Keep the cable away from heat sources, oils or sharp edges. Check the condition of your cable before use and do not use if damaged.



#### Preparation

- To protect your feet, always wear stout shoes or boots - freshly cut grass is damp and slippery.
- Rubber or man-made footwear will enhance your safety.
- Do not operate your trimmer barefoot or in open sandals.
- Use protective equipment. Wear safety spectacles or goggles whilst operating your trimmer. Use ear protection if the sound level seems uncomfortable when using your trimmer.
- Use a face mask if dusty.
- Wear long trousers to protect your legs - any debris left on the lawn or cutting path may be picked up and ejected by the line.
- The power supply cable should be regularly inspected for signs of damage or ageing, and only used if in good condition.



- Always keep the power supply cable away from the line - be aware of its position at all times.
- Always be sure your trimmer is in a safe operating condition.
- Always switch off and remove the plug if the supply cable has become damaged or entangled.
- Before using your trimmer, disconnect it from the electrical supply and visually check that the spool assembly is secure. Never fit metal cutting line or wire to your trimmer.
- Always check that your lawn or cutting path is clear of all sticks, stones, wire and other debris. Contact with such debris may be dangerous or may damage your trimmer.
- Take care against injury from the guard trimming blade.



## Operation

- Your trimmer will continue to run for a short time after releasing the switch lever. Always allow your trimmer to stop on its own.
- Release the switch lever to turn your trimmer off and remove the plug from the mains:
  - Whenever you leave your trimmer unattended.
  - Before checking, cleaning, adjusting or working on your trimmer.
  - Before clearing a blockage.
  - If your trimmer starts to vibrate abnormally (check immediately).
  - After striking a foreign object, inspect your trimmer for damage and make repairs as necessary.



- Do not put hands or feet near or under rotating parts.
- Start your trimmer carefully according to the instructions and with your feet well away from the cutting line.



- Do not use your trimmer in the rain and do not allow it to get wet. Avoid using your trimmer in wet grass, if possible.
- Use your trimmer only in daylight or good artificial light.
- Do not cross gravel paths or roads whilst the line is rotating.
- Always be sure of your footing, particularly on slopes.
- Always cut across the face of slopes, never up and down.

- Exercise extreme caution when changing direction on slopes.
- Do not cut excessively steep slopes and always wear non-slip footwear.
- Walk, never run. Do not force your trimmer.
- Always use your trimmer in the manner outlined in this manual. Your trimmer is designed to be used in an upright position and if it is used in any other way it may result in injury. Never run your trimmer whilst it is lying on its side or upside down.
- Never operate your trimmer with defective guards or shields and always operate with the guard in position.

## Maintenance and storage

- Store your trimmer in a dry place when not in use, out of the reach of children.
- Do not use solvents or cleaning fluids to clean your trimmer - use a blunt scraper to remove grass and dirt.
- Always disconnect from the electrical supply before cleaning.
- Do not operate your trimmer if any parts are defective; discard all defective parts and fit new parts before use.
- Keep all nuts, bolts and screws tight to be sure your trimmer is in a safe working condition.
- Use only Black & Decker recommended replacement parts and accessories.

Black & Decker's policy is one of continuous improvement to our products and, as such, we reserve the right to change product specifications without prior notice.

## Double insulation



Your trimmer is double insulated. This means that all external metal parts are electrically isolated from the power supply. This is achieved by placing an extra insulation barrier between the electrical and mechanical parts. Double insulation means greater electrical safety and obviates the necessity of having your trimmer earthed.

## Electrical safety (UK only)



Your trimmer should always be switched off at the mains before disconnecting any plug and socket connector or extension cables.

### Fuse replacement

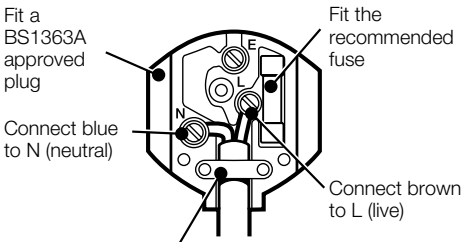
If your trimmer is supplied with cable fitted with a non-re-wireable plug:

- The plug is fitted with a 5 amp fuse which is the recommended fuse for your trimmer.
- Only use replacement fuses which are approved to BS1362.
- When changing the fuse in your plug, always ensure the fuse cover is refitted. If the fuse cover is missing or damaged do not use the plug.

**Note:** Fuses do not give personal protection against electric shock.

### Plug replacement

- Disconnect the plug from the supply.
- Cut off the plug and dispose of immediately. Insertion of a detached plug into a 13 amp socket outlet may result in electric shock.
- Only fit BS1363A approved plugs fitted with the correctly rated fuse.
- The cable wire colours, or a letter, will be marked at the connection points of most good quality plugs. Attach the wires to their respective points in the plug (see below). Brown is for “Live” (L) and blue is for “Neutral” (N).
- Before replacing the top cover of the mains plug ensure that the cable restraint is holding the outer sheath on the cable firmly and that the two leads are correctly fixed at the terminal screws.



Make sure that the outer sheath of the cable is held firmly by the clamp



240 volts AC only.  
Never use a light socket



**Warning!** Never connect live or neutral wires to the earth pin marked “E” or  $\perp$ .

**Note:** Do not wire an extension cable directly into your trimmer yourself. Instead, take your

trimmer to your nearest Black & Decker service agent.

Increased safety can be obtained by having a qualified electrician install a high sensitivity (30mA) circuit breaker in the house wiring. If you do not have such a circuit breaker installed, or you do not wish to have one installed, then we strongly recommend that the electrical power to your trimmer be supplied through a high sensitivity residual current device (RCD). The RCD is designed to provide a high degree of personal protection against harmful electric current should fault conditions occur.



**Warning!** The use of an RCD or other circuit breaker unit does not release the operator of your trimmer from the safety instructions and safe working practices given in this manual.

## The following five sections only refer to products supplied without a cable.

### Cable connection system (UK only)

Black & Decker continually make every effort to achieve the highest standards in performance, quality and reliability and recommend the use of a new outdoor cable connection system.

The new system gives additional protection against the possibility of water or moisture entering into the cable connector during normal use.

**Note:** The new connection system does not release the operator of the machine from the safety precautions and safe working practices given in this user manual. Particular attention is drawn to the coupler system as being “weather resistant” and not suitable for immersion, submersion or being subjected to water jets. Care should be taken to prevent the cable from lying or trailing through pools of water or from splashing with hose pipes.

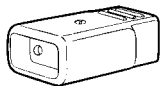
The new cable system is available in various lengths through most major DIY retail outlets:

A6615	20m heavy duty cable, new socket 13 amp plug
A6616	20m heavy duty cable, new socket 13 amp plug and cable tidy system
A6617	30m heavy duty cable, new socket 13 amp plug and cable tidy system

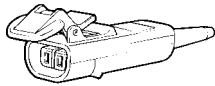
### Existing cable systems (UK only)

If you already own an outdoor cable system, we recommend that you replace the existing ‘female’ cable connector with the new ‘female’ connector (see opposite) which is supplied loose in the carton. (Please read the section entitled “Fitting the ‘female’ connector”.)





old 'female' connector

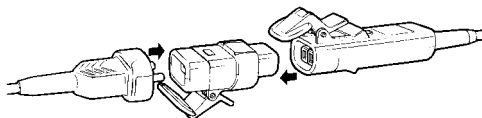


new 'female' connector

Should you wish to convert more than one cable system, the new female connector is available as an accessory from most major DIY retail outlets and from Black & Decker service agents (cat. no. A6624S).

## Existing powered garden tools (UK only)

To connect existing Black & Decker garden power tools to the new system you will require an adaptor (see below). This is available as an accessory from most major DIY retail outlets (cat. no. A6623S).



**Warning!** This adaptor is only suitable for products rated up to 500W.

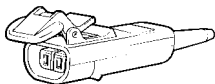
It is **not** recommended for use with the following:

- Hover mowers
- Rotary mowers with grass collection
- Chainsaws
- Shredders
- Blowervacs.

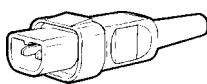
Please contact your local service agent should you require further advice.

## Fitting your own extension cable (UK only)

- When fitting your own extension cable fit a 13 amp plug (see "Fitting the mains plug") to one end of the cable and a 'female' connector (supplied loose in the carton) to the other end (see opposite). For wiring instructions see the following sections.
- A 'male' connector is already attached to the electrical supply cable on your mower and is designed to be non-rewireable (see opposite). *This should not be removed.* Should the cable and plug become damaged or need replacing, please return your mower to your local Black & Decker service agent.



'female' connector

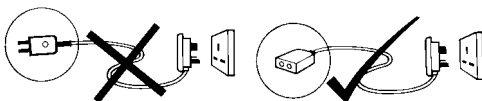


'male' connector



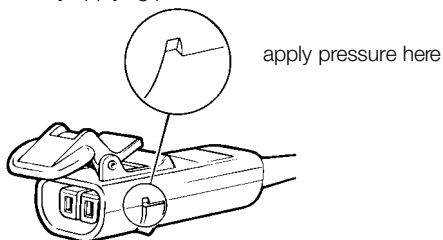
**Warning!** Never wire an extension cable with anything other than the 'female' connector supplied and a 13 amp BS1363A approved

plug with the recommended fuse. **Never wire a 'male' connector to your extension cable and never wire an extension cable with a plug of any kind at each end of the cable. This is extremely dangerous and results in the pins being live which may cause a fatal electric shock.**



## Fitting the 'female' connector (UK only)

To remove the cover, unscrew the fixing screw until it is free of the nut which is located in the hexagonal recess on the underside of the connector. *Take care not to lose the nut if it falls out.* There is no need to completely remove the fixing screw as it is intended to remain captive in the cover. The cover can now be removed by applying pressure as shown below.

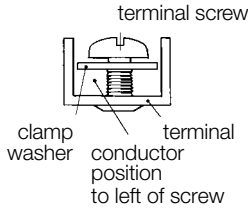


apply pressure here

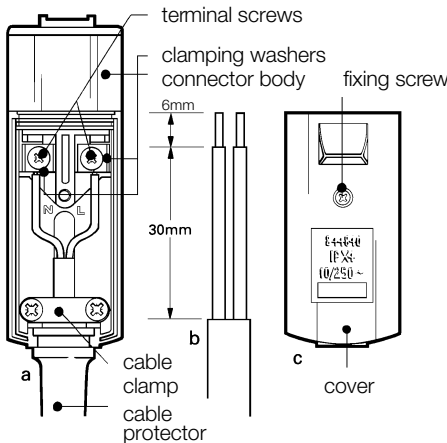
The extension cable contains two wires which are colour coded for easy recognition; brown is for 'Live' (L) and blue is for 'Neutral' (N). The female connector is marked 'L' for live and 'N' for neutral. These markings are located inside the body near the terminal screws (see opposite, figure a). With the connector cover removed, lift out the cable protector and proceed as follows:

- Pass the cable through from the narrow end of the cable protector (see opposite, figure a).
- Prepare the cable ends to the specified strip lengths (see opposite, figure b).
- Remove cable clamp (see opposite, figure a). Take care of loose parts.
- To connect the extension cable to the connector terminals, unscrew the terminal screws until the clamp washers have lifted just enough to enter the conductor between the raised washer and the terminal (see below). Connect the brown lead to 'L' and the blue lead to 'N'.

**Note:** There is no need to remove the terminal screws. Connections are not to be made under the screw heads.



- Locate the cable and cable protector into the body correctly (see below, figure a). Then fit the cable clamp over the outer sheath of the cable and screw down until the screws are fully home. Failure to do this may result in the cover not fitting correctly to the connector body.
- Before replacing the cover of the 'female' connector make sure that the cable clamp is holding the outer sheath of the cable firmly with screws fully home and that the two leads are correctly fixed at the terminal screws and are not taut (see below, figure a).
- Place the cover onto the body assembly ensuring that it seats flat, then retighten the fixing screw into the nut until the cover is securely held (see below, figure c).
- Finally check that the cable protector is secure and that there are no gaps between the cover and the connector body.



### Preparing your trimmer for use (Fig. B - D)

- Take your trimmer, guard and parts pack out of the box.
- Remove the guard screw from the parts pack.

- B** • Place the guard over the spool housing on your trimmer taking care that the line does not become stuck between the two parts.
- C** • Align the square marking on the guard with the square marking on your trimmer body and push the guard upwards until it almost contacts the underside of the body. Now turn the guard in the direction indicated by the arrow.
- D** • The guard is secure when the ridges on the guard have fitted into the slots in the body, and the spring finger has located.
- Once the guard is in position, secure the guard screw which goes through the guard screw hole and into screw boss in the body.
- To avoid damage in transit, the spool has been packed in a polythene bag.

### Assembling the spool (Fig. E)

- E** • Thread the line through the hole in the inner cover and then unclip the line from the groove in the top face of the spool.
- Place the inner cover on the spool.
- Ensure that sufficient line is threaded through the hole in the inner cover before fitting the spool to the spool carrier.
- Grip the spool with one hand and the spool carrier with the other. Fit the spool by pushing down in the direction of arrow (a) and twisting clockwise in the direction of arrow (b) until you feel it click into position.

### How to use your trimmer (Figs. 1 - 8)

To switch on your trimmer press the switch lever. To switch off your trimmer, release the switch lever.

In order to get the most from your trimmer please learn the following techniques. Do not be impatient, you will obtain the best results by experience and by following these simple rules.

- 1 Do not use your trimmer without its guard.
- 2 Do not cut wet grass, best results are achieved when the grass is dry.
- 3 Cut at an angle and with the tip of the nylon line. Your trimmer is balanced to operate at this angle.
- 4 Swing your trimmer gently from side to side.

- 5 Do not overload your trimmer. It operates best at high speeds.
- 6 On long grass, start at the top.
- 7 Take small cuts.
- 8 If your trimmer features a cord restraint, loop a length of cord through the restraint to prevent the plug and socket coming apart accidentally if the cord is pulled.

## Feeding out more nylon line (Fig. F)

**Note:** There must be a minimum of 5cm (2 inches) of nylon line protruding from the spool cover before your manual-feed trimmer is operated:

- Hold the spool housing firmly with one hand, and the nylon line with the other, then pull the nylon line out of the slot.
- Pull the nylon line out of the spool housing in the direction of arrow (a).
- Continue to pull the nylon line out of the spool housing, in the direction of arrow (b), until there is sufficient line to reach the edge of the guard, then pull the nylon line down into the next slot in the spool housing as indicated by arrow (c).

**Note:** When your trimmer is operated for the first time, any excess line will be cut off by the blade housed in the guard. This is also the case for any subsequent line adjustment. Because line cut off by the trimming blade in the guard may be ejected, it is important that the amount of excess line is kept to a minimum. Where an excessive amount of line is pulled out, the line should be cut back to the outside of the guard before switching on your trimmer.

- Your manual feed trimmer is now ready for use.

## Fitting a new spool of nylon line (Fig. G)

- Remove the spool and inner cover by pushing down and turning anticlockwise in the direction of arrow.

Fit a new, full spool as described in 'Assembling the spool cover'. Alternatively, fit new nylon line to the empty spool as follows:

- Locate one end of the nylon line in one of the grooves in the spool and wind the line on to the spool in the direction of the arrow (anti-clockwise) until it is full.

- Fit the inner cover onto the spool and fit the spool onto your trimmer as described in 'Assembling the spool cover'.

## Replacement line

A new spool containing 5.5 metres of nylon line may be purchased from your Black & Decker agent. Alternatively, replacement lines containing 25 to 50 metres of line are available.

For maximum reliability never put on a heavier or lighter line (eg. fishing line) which will cause motor failure or reduce cutting performance.

## Care and maintenance

- For the best performance, please keep the nylon line, spool and air slots in your trimmer body clean. Use a dry brush or cloth to remove grass, sap or other dirt.
- Plastic parts may be cleaned by using a mild soap and a cloth dampened with hot water. Do not use any other type of detergent, cleaner or solvent which might contain chemicals that could seriously damage the plastic. Do not spray your trimmer with water.
- Self lubricating bearings are used in this tool and so lubrication is not required.

## Fault finding

Before checking your trimmer for any faults, disconnect it from the mains.

- If your trimmer vibrates, remove the spool and replace it in a new position. If this does not cure the problem try removing the spool and rewinding the nylon line more tightly on the spool before replacing it.
- If your trimmer will not start check that all power cables are properly connected. If this does not work, check your power point then check the fuse and wiring on the cable extension plug and female connector.

## What to do if your string trimmer needs repair

For after sales service please refer to the section 'Lawnmowers & Garden' within your local Yellow Pages.

## Unwanted products and the environment



Should you find one day that your trimmer needs replacement, or is of no further use to you, think of the protection of the environment. Black & Decker service agents will accept your old trimmer and will dispose of it in an environmentally safe way.

## Black & Decker lawn and garden guarantee

If your Black & Decker trimmer becomes defective, within the guarantee period, due to faulty materials and workmanship, we guarantee to either replace all defective parts, or at our discretion, replace your trimmer free of charge, provided that:

- Your trimmer is returned to one of our authorised repair agents with evidence of purchase.
- Your trimmer has been used within the parameters of its consumer classification.
- Your trimmer has not been used for hire purposes.
- Repairs have not been attempted by anyone other than our authorised repair agents.
- The failure represents normal wear and tear.

This guarantee is offered as an extra benefit and is additional to your statutory rights.

## Our guarantee policy

Failure due to the following are not covered:

- Replacing worn or damaged blades, nylon line and chains, or cables damaged during storage or use. These are regarded as replacement items which wear during normal usage.
- Failure as a result of sudden impact or obvious abuse.
- Failure due to usage not in accordance with instructions and recommendations contained in this manual.

The use of other than genuine Black & Decker accessories and parts may damage or reduce the performance of your Black & Decker trimmer and may render the guarantee void.

## Black & Decker after sales service (UK, Australia and New Zealand only)

Black & Decker offers a nationwide network of authorised service agents. The use of other than

genuine Black & Decker accessories and parts may damage or reduce the performance of your Black & Decker product and may also endanger the user. The terms and conditions of the warranty may also be effected.

It is our aim that all Black & Decker customers should be totally satisfied with their Black & Decker product and after sales service, if help or advice is needed please contact a local Black & Decker authorised repair agent who will be happy to help. Full details of our after sales service can be obtained from any of our Black & Decker authorised repair agents.

This user manual contains a full directory and parts drawing.

## Other Black & Decker products (UK only)

Black & Decker has a full range of outdoor power tools that make life easy in the garden. If you would like further information on other products, please contact the Black & Decker Service Information Centre at the address towards the back of this manual, or contact your Black & Decker stockist.

Lawnmowers	String trimmers
Chainsaws	Lawnrakers
Compost shredders	Leafbusters
Blade trimmers	Cordless brooms
Cordless trimmingsaws	Cordless shrubbers
Cordless shears	Hedge trimmers

### EC Declaration of Conformity

We declare that units:

**GL200, GL300, GL320, GL325, GL330, GL335, GL555, GL565, ST20, ST22, ST23, ST25, ST32**

conform to: 89/392/EEC, 89/336/EEC, 73/23/EEC, EN55014, EN55104, EN60335

A weighted sound pressure 95dB (A)

A weighted sound power 108dB (A)

Hand/arm weighted vibration <2.5m/s<sup>2</sup>

A handwritten signature in black ink that reads "Brian Cooke".

Brian Cooke

Director of Engineering

Spennymoor, County Durham DL16 6JG  
United Kingdom

# Tagliaerba a filo di nylon GL200/GL300

## Manuale d'istruzioni

### Congratulazioni!

Complimenti per aver acquistato un tagliaerba a filo Black & Decker. L'utensile è dotato delle seguenti caratteristiche:

- Peso ridotto, per una maggiore manovrabilità e facilità d'uso.
- Protezione dell'interruttore per prevenire avviamenti accidentali.
- Motore potente, ideale in ogni condizione.
- Robusta protezione per una maggiore sicurezza.

### Conoscere l'utensile



Leggete attentamente tutte le istruzioni e le norme di sicurezza contenute in questo manuale per saper cosa fare prima, durante e dopo l'utilizzo della macchina. Mantenete il vostro utensile in un buono stato di funzionamento.

Familiarizzate con i comandi del vostro utensile prima di utilizzarlo, ma soprattutto assicuratevi di essere in grado di spegnere l'utensile in caso di emergenza.

Conservate con cura questo manuale e gli altri documenti allegati.

### Descrizione

Le parti menzionate nel manuale di istruzioni e mostrate nelle illustrazioni sono:

1. Corpo dell'utensile
2. Interruttore
3. Protezione dell'interruttore
4. Fessure di ventilazione
5. Filo di nylon
6. Protezione
7. Lama per il taglio del filo di nylon
8. Alloggiamento rocchetto del filo
9. Quadrato
10. Freccia
11. Guida
12. Scanalatura (sul corpo dell'utensile)
13. Linguetta
14. Rocchetto
15. Foro per la vite sulla protezione
16. Fessura (nell'alloggiamento del rocchetto)

17. Collare

18. Scanalatura (sul rocchetto)

### Norme di sicurezza

#### Norme generali

- Non lasciate mai che bambini o persone che non hanno familiarità con questo tipo di utensile lo utilizzino. Chiunque lo usi deve avere letto questo manuale.
- Non lasciate che bambini, altre persone o animali si avvicinino mentre lavorate. Teneteli sempre ad almeno 6 metri dalla zona di taglio.
- Ricordatevi che l'utilizzatore è responsabile per gli incidenti o per i danni causati alle persone o alla proprietà altrui.
- Il vostro utensile è stato progettato per essere alimentato unicamente con corrente alternata; non tentate di alimentarlo in altro modo.
- Inserite la spina dell'utensile in una presa di corrente a basso amperaggio.
- Non trasportate mai l'utensile tenendolo per il cavo e non estraete la spina tirando il cavo. Tenete il cavo lontano da fonti di calore, olii e superfici taglienti. Prima dell'utilizzo controllate sempre che sia in buone condizioni e non usatelo se danneggiato.



#### Preparazione all'uso

- Non utilizzate l'utensile a piedi scalzi od indossando sandali aperti.
- Per proteggere i piedi, indossate sempre scarpe pesanti o stivali - l'erba appena tagliata è umida e scivolosa. Una suola di gomma aumenterà la vostra sicurezza.
- Dotatevi di un equipaggiamento di protezione. Portate sempre occhiali protettivi durante l'uso.
- Utilizzate una mascherina protettiva se l'ambiente è polveroso.
- Utilizzate protezioni per l'udito se la rumorosità dell'utensile in uso è per voi eccessiva.
- Indossate pantaloni lunghi per proteggere le gambe - ogni detrito lasciato sul giardino o nella zona di taglio potrebbe essere raccolto e scagliato dal filo di taglio.



- Il cavo deve essere controllato regolarmente ed utilizzato solo se in buone condizioni.
- Tenete sempre il cavo lontano dalla zona di taglio ed assicuratevi in ogni momento della sua posizione.
- Accertatevi sempre che l'utensile sia in buone condizioni.
- Spegnete l'utensile e disinserite sempre la spina se il cavo di alimentazione si è danneggiato o aggrovigliato.
- Prima di utilizzare l'utensile, disinserite la spina dalla presa di alimentazione e controllate che il rocchetto sia correttamente fissato. Non utilizzate l'utensile con fili metallici.
- Evitate incidenti con la guardia a protezione del filo di nylon.
- Controllate sempre che il giardino o l'area di taglio sia pulita da rami, sassi, fili ed altri detriti. Il contatto con tali detriti può essere pericoloso e può danneggiare l'utensile.



#### Utilizzo dell'utensile

- Non utilizzate mai l'utensile se la protezione non è ben fissata nella giusta posizione.
- Rilasciate l'interruttore per spegnere la macchina. L'utensile continuerà a funzionare per pochi secondi dopo aver rilasciato l'interruttore. Lasciate sempre che l'utensile si fermi da solo e staccate la spina dalla presa di alimentazione:
  - Ogni volta che lasciate l'utensile incustodito.
  - Prima della manutenzione, della pulizia, della riparazione o di altre operazioni sulla macchina.
  - Prima di sbloccare l'utensile.
  - Se l'utensile inizia a vibrare in modo anormale (controllate immediatamente).
  - Dopo aver colpito un elemento esterno. Controllate che l'utensile non abbia riportato danni. Se l'utensile è danneggiato, provvedete alla riparazione.
- Non avvicinate mani o piedi alle parti in rotazione.
- Fate attenzione quando mettete in funzione l'utensile, seguite le istruzioni e tenete i piedi ben distanti dal filo di taglio.
- Non utilizzate mai l'utensile sotto la pioggia ed evitate che si bagni. Evitate di usare l'utensile nell'erba bagnata.



- Usate l'utensile solo durante il giorno o con una buona illuminazione artificiale.
- Non attraversate terreni ghiaiosi o strade mentre l'utensile è in funzione.
- Usate l'utensile assumendo sempre una posizione stabile, in particolare sui pendii.
- Sui pendii, tagliate sempre con movimenti da sinistra verso destra e ritorno, mai dall'alto verso il basso.
- Non lavorate su pendii troppo scoscesi, e in ogni caso indossate scarpe con soles antiscivolo.
- Camminate, non correte. Non forzate l'utensile.
- Non adoperate mai l'utensile con le protezioni difettose o mancanti.
- Utilizzate l'utensile come indicato nel manuale di istruzioni. L'utensile è stato progettato per essere usato nei modi indicati, ogni altro tipo di utilizzo potrebbe causare danni a cose e a persone. Non azionate mai l'utensile quando è appoggiato sul fianco o in posizione capovolta.

#### Manutenzione e conservazione

- Riponete la macchina non in uso in un luogo asciutto e lontano dalla portata dei bambini.
- Per ottenere migliori prestazioni, mantenete puliti il filo di nylon, il quadrato e le fessure di ventilazione del corpo dell'utensile aiutandovi con una spazzola asciutta od un panno asciutto per rimuovere erba e detriti.
- Non usate solventi o altre sostanze chimiche per pulire l'utensile; usate un raschietto non appuntito per rimuovere erba e detriti. Le parti di plastica possono essere pulite con un sapone delicato od un panno inumidito con acqua calda. Non spruzzate acqua sul tagliaerba a filo di nylon. Disinserite sempre la spina dalla presa di alimentazione prima di procedere alla pulizia dell'utensile.
- Non utilizzate la macchina con parti difettose. Sostituite sempre le parti difettose prima dell'uso.
- Controllate che tutti i dadi e le viti siano sempre serrati, per essere sicuri che l'utensile sia in condizioni efficienti.
- Questo utensile è dotato di cuscinetti autolubrificanti, pertanto non è richiesto alcun tipo di lubrificazione.
- Usate solo parti ed accessori originali Black & Decker.

La Black & Decker persegue una politica di continua innovazione dei propri prodotti e si riserva pertanto il diritto di modifica delle specifiche senza preavviso.

**ITALIANO**

## Doppio isolamento



Il vostro utensile è dotato di doppio isolamento. Questo significa che le parti metalliche esterne sono isolate elettricamente dalla fonte di energia. Ciò è possibile grazie all'inserimento di due barriere esterne protettive tra le parti elettriche e quelle metalliche. Il doppio isolamento offre maggiore sicurezza elettrica e non rende necessaria la messa a terra.

## Assemblaggio dell'utensile (Fig. B - D)

**B**

- Togliete tutte le parti dall'imballo.
- Individuate e togliete la vite dal sacchetto.
- Posizionate la protezione sulla copertura del rocchetto avendo cura di non chiudere il filo tra le due parti.

**C**

- Allineate il simbolo quadrato posto sulla copertura del motore con quello situato sulla protezione, quindi spingete la protezione sopra la copertura del motore e giratela nel senso indicato dalla freccia.

**D**

- La protezione è ben fissata quando le guide poste sulla stessa sono ben fissate nelle scanalature posizionate sul corpo dell'utensile e la linguetta è nella giusta posizione.
- A questo punto assicurate la protezione al corpo dell'utensile con la vite di fissaggio.
- Il rocchetto è stato confezionato in un sacchetto di polietilene per evitare danneggiamenti durante il trasporto.

## Montaggio del rocchetto (Fig. E)

**E**

- Infilate il capo del filo di nylon nel foro all'interno del collare e liberate il filo dalla scanalatura posta sul rocchetto.
- Posizionate il collare sul rocchetto.
- Verificate che il filo estratto sia lungo a sufficienza prima di fissare il rocchetto.
- Prendete il rocchetto con una mano e la copertura del rocchetto con l'altra. A questo punto premete il rocchetto verso il basso (freccia a) e girate in senso orario (freccia b), fino a quando si blocca in posizione.

## Uso del tagliaerba a filo (Fig. 1 - 8)

Per accendere l'utensile, premete l'interruttore. Per spegnerlo, rilasciate l'interruttore.

Per ottenere i migliori risultati dal vostro tagliaerba a filo seguite le seguenti regole:

Non usate l'utensile senza la protezione.

**1**

**2**

Non tagliate l'erba umida o bagnata, i migliori risultati si ottengono quando l'erba è asciutta.

**3**

L'utensile è bilanciato per lavorare in posizione leggermente inclinata. Quindi tagliate l'erba con un'inclinazione di circa 20°, in modo che il taglio avvenga con la parte anteriore del filo.

**4**

Fate oscillare lentamente l'utensile con movimenti da destra verso sinistra e ritorno.

**5**

Non sovraccaricate l'utensile. Il rendimento migliora alle alte velocità di rotazione.

**6**

Partite dall'alto per tagliare l'erba lunga.

**7**

Tagliate piccole superfici alla volta.

**8**

Se il vostro tagliaerba a filo è fornito di un ritegno per il cavo, infilateci una parte di esso e fissatelo in modo da evitare che le prese si stacchino accidentalmente se il cavo viene tirato.

## Alimentazione del filo di nylon (Fig. F)

**Nota:** Dal rocchetto devono uscire almeno 5 cm di filo di nylon prima di avviare il vostro utensile con alimentazione del filo manuale.

**F**

- Tenete saldamente il rocchetto con una mano e il filo di nylon con l'altra, quindi fate fuoriuscire il filo dalla fessura.
- Tirate il filo dal rocchetto nella direzione della freccia (a).
- Continuate a tirare il filo fuori dal rocchetto, nella direzione della freccia (b) fino a quando il filo raggiunge l'angolo della protezione. A questo punto fissate il filo nella successiva fessura come indicato dalla freccia (c).

**Nota:** Quando si avvia l'utensile per la prima volta l'eventuale eccesso di filo sarà automaticamente tagliato dalla lama posta sulla protezione. Ciò accade anche per ogni successivo assestamento del filo. Venendo tagliato al momento dell'accensione, il filo di nylon può essere espulso violentemente; è bene quindi non fare uscire troppo filo dal rocchetto. Nel caso che abbiate tirato fuori troppo filo, prima di azionare l'utensile, tagliatelo riportandolo alla lunghezza della protezione.

- Adesso il vostro utensile con alimentazione del filo manuale, è pronto per l'uso.

## Sostituzione del rocchetto (Fig. G)

- Togliete il rocchetto ed il collare facendo pressione e girando ontemporaneamente in senso antiorario freccia (c).

Inserite un nuovo rocchetto come descritto nella sezione "Montaggio del rocchetto". In alternativa è possibile inserire un nuovo filo nel rocchetto esistente come segue:

G

- Posizionate un'estremità del filo in una fessura del rocchetto, quindi avvolgete il filo nella direzione della freccia (in senso antiorario) fino a quando il rocchetto è pieno.
- Fissate il collare sul rocchetto e montate quest'ultimo come descritto nella sezione "Montaggio del rocchetto".

## Filo di ricambio

Presso ogni rivenditore Black & Decker può essere acquistato un nuovo rocchetto da 5,5 metri di filo. In alternativa sono disponibili confezioni di filo da 25 fino a 50 metri.

Per maggior sicurezza vi consigliamo di non usare mai un filo più sottile o più grosso in quanto potrebbe causare danni al motore o diminuire l'efficienza di taglio.

## In caso di malfunzionamento

Prima di maneggiare l'utensile per verificare eventuali malfunzionamenti, disinserite la spina.

- Se il tagliaerba vibra, rimuovete il rocchetto e poi riposizionatelo. Se ciò non basta, provate a rimuovere il rocchetto e a riavvolgere il filo di nylon più saldamente al rocchetto prima di riposizionarlo.
- Se il vostro tagliaerba non si avvia, controllate che tutti i cavi elettrici siano connessi adeguatamente. Se questo non è sufficiente, controllate la vostra presa di corrente e l'idoneità del vostro cavo di prolunga.

## Cosa fare in caso di rottura del tagliaerba a filo Strimmer

Questo prospetto contiene uno schema del particolare e le istruzioni per spedire lo Strimmer al servizio riparazioni e assistenza. Si consiglia di conservarlo in un luogo sicuro.

## Eliminazione del prodotto e ambiente



Se un giorno il vostro utensile necessitasse di essere sostituito o se non vi servisse più, pensate alla salvaguardia dell'ambiente. I Centri di Assistenza Black & Decker accetteranno il vostro utensile e provvederanno ad eliminarlo in modo corretto.

## Garanzia

Negli stabilimenti Black & Decker tutti i prodotti ed i processi produttivi sono sottoposti a quei controlli che permettono alle nostre fabbriche di fregiarsi della certificazione ISO9001, sinonimo di eccellenza.

Se nonostante tutti i controlli il prodotto manifestasse anomalie di funzionamento, dovute a difetti di materiale o di funzionamento, entro i primi 12 mesi dalla data di acquisto Black & Decker si impegna alla sostituzione del prodotto con uno dalle caratteristiche equivalenti, stanti le seguenti condizioni:

- Il prodotto venga ritornato al Centro di Assistenza Black & Decker unitamente ad un documento che ne comprovi la data di acquisto (bolla, fattura o scontrino fiscale).
- Il prodotto non sia stato usato per svolgere una funzione diversa da quella indicata in questo manuale, non sia stato usato in maniera incompatibile con la sua tecnologia o il difetto non sia causato da evidente incuria.
- Il prodotto non sia stato manomesso o non abbia subito un tentativo di riparazione da persone non facenti parte di un Centro di Assistenza autorizzato.

I prodotti delle linee Black & Decker sono pienamente rispondenti a tutte le normative vigenti al momento della costruzione.

L'utilizzo di ricambi ed accessori non originali può danneggiare l'utensile o ridurne in maniera significativa le prestazioni e la sicurezza. In alcuni casi ciò può avere l'effetto di vanificare le condizioni di garanzia.

## Servizio di assistenza Black & Decker

Se il vostro prodotto necessita di riparazione o avete bisogno di aiuto o consigli per la manutenzione del vostro utensile Black & Decker, vi suggeriamo di contattare la Filiale di Assistenza o il Centro di Assistenza Autorizzato più vicino a casa vostra.



Potete telefonare per ottenere tutte le informazioni necessarie e prendere accordi per portare o inviare il vostro prodotto al Centro di Assistenza scelto.

**ITALIANO**

## **Altri prodotti Black & Decker**

Black & Decker dispone di una gamma completa di utensili per il giardinaggio. Se desideraste ulteriori informazioni su tali utensili, contattate il Servizio Informazioni Black & Decker all'indirizzo posto sul retro di questo manuale o contattate il vostro rivenditore Black & Decker.

**Tosaerba**      **Tagliasiepi**  
**Elettroseghe**      **Tagliaerba a filo**  
**Biotrituratori**      **Soffiatore/Aspiratore/Trituratore**

### **Dichiarazione di conformità EC**

Si dichiara che i prodotti:

**GL200, GL300, GL320, GL325, GL330, GL335,  
GL555, GL565, ST20, ST22, ST23, ST25, ST32**

sono conformi a 89/392/EEC, 89/336/EEC,  
EN60335, EN55014, EN55104, 73/23/EEC

Pressione acustica ponderata 108dB (A)

Potenza acustica ponderata 95dB (A)

Vibrazioni mano-braccio <2.5m/s<sup>2</sup>



Brian Cooke

Direttore di Ricerca e Sviluppo  
Spennymoor, County Durham DL16 6JG,  
Regno Unito

# Rasentrimmer GL200/GL300

## Bedienungsanleitung

### Herzlichen Glückwunsch!

Zum Erwerb Ihres neuen Black & Decker Rasentrimmers. Der Trimmer bietet Ihnen folgende Ausstattungsmerkmale, die Ihnen die Gartenarbeit erleichtern:

- Geringes Gewicht für bequeme Handhabung.
- Schalterschutzbügel zur Verhinderung unbeabsichtigten Einschaltens.
- Kraftvoller Motor zur Bewältigung fast aller Arbeitsbedingungen.
- Schutzhaube.

### Hinweis



Lesen Sie diese Gebrauchsanweisung bitte sorgfältig durch und führen Sie vor, während und nach dem Gebrauch Ihrer Maschine sämtliche empfohlenen Sicherheitsmaßnahmen durch. Achten Sie darauf, daß Ihr Rasentrimmer immer in einem guten gebrauchsfähigen Zustand erhalten wird.

Machen Sie sich mit Ihrer Maschine vertraut, bevor Sie damit arbeiten und sorgen Sie insbesondere dafür, daß Sie wissen, wie das Gerät im Notfall auszuschalten ist.

Bewahren Sie diese Gebrauchsanleitung und sämtliche andere mitgelieferte Literatur für zukünftigen Gebrauch sorgfältig auf.

### Beschreibung

Nachfolgend finden Sie eine Liste der Teile, die in dieser Gebrauchsanweisung erwähnt und in den entsprechenden Abbildungen gezeigt werden:

1. Gehäuse
2. Betriebsschalter
3. Schalterschutzbügel
4. Lüftungsschlitz
5. Schnitffaden
6. Schutzhaube
7. Schneidklinge für den Schnitffaden
8. Spulengehäuse
9. Viereckmarkierung
10. Pfeilmarkierung
11. Gewindeaufnahme
12. Schlitz (am Trimmergehäuse)

13. Kunststoffsicherung
14. Fadenspule
15. Bohrung für Befestigungsschraube
16. Aussparung im Spulengehäuse
17. Führungsring für Schnitffaden
18. Aussparung in Spulengehäuse

### Sicherheitshinweise

- Kindern, sowie Personen die die Bedienungsanleitung nicht gelesen haben oder mit der Arbeitsweise des Trimmers nicht vertraut sind, sollten Sie die Nutzung untersagen.
- Lassen Sie Kinder, Tiere oder andere Erwachsene nicht in die Nähe der Maschine, wenn sich diese im Gebrauch befindet - achten Sie immer auf einen Sicherheitsabstand von mindestens 6 Metern.
- Denken Sie daran, daß Sie als Benutzer des Trimmers für Verletzungen anderer Personen oder Beschädigungen an deren Eigentum verantwortlich sind.



### Bedienungsanleitung

- Ihre Maschine wurde für den ausschließlichen Betrieb mit Netzstrom (Wechselstrom) hergestellt. Versuchen Sie nicht, das Gerät mit einer anderen Stromquelle zu betreiben.
- Schließen Sie Ihr Gerät immer an eine Netzstromsteckdose an.
- Tragen Sie das Gerät niemals am Kabel und ziehen Sie den Stecker nicht durch ruckartiges Ziehen am Kabel aus seiner Steckverbindung. Achten Sie darauf, daß das Kabel nicht zu nahe an eine Hitzequelle, an Öl oder an eine scharfe Kante gerät. Das Stromkabel sollte in regelmäßigen Abständen auf Anzeichen von Beschädigungen oder Abnutzungserscheinungen untersucht und nur dann verwendet werden, wenn es sich in einem einwandfreiem Zustand befindet.

### Arbeitsvorbereitung

- Um Ihre Füße zu schützen, sollten Sie feste Schuhe oder Stiefel tragen (nicht barfuß gehen oder offene Sandalen tragen).

- Seien Sie beim Rasentrimmen vorsichtig, da frisch gemähtes Gras feucht und rutschig ist. Tragen Sie zu Ihrer eigenen Sicherheit rutschfestes Schuhwerk.
- Benutzen Sie während des Arbeitens Schutzkleidung.
- Tragen Sie immer eine Schutzbrille.
- Bei starker Staubentwicklung, empfehlen wir Ihnen das Tragen einer Gesichtsmaske.
- Sollte die Lärmentwicklung während der Nutzung des Trimmers zu laut sein, so empfehlen wir Ihnen das Tragen eines Hörschutzes.
- Tragen Sie lange Hosen, um Ihre Beine zu schützen - Fremdkörper, die auf dem Rasen oder im Arbeitsbereich liegen, werden unter Umständen von dem Schneidfaden erfaßt und herumgeschleudert.
- Das Stromkabel sollte in regelmäßigen Abständen auf Anzeichen von Beschädigungen oder Abnutzungserscheinungen untersucht und nur dann verwendet werden, wenn es sich in einem einwandfreien Zustand befindet.
- Achten Sie immer auf die Position des Stromkabels und halten Sie einen ausreichenden Sicherheitsabstand zum Schnitffaden ein.
- Vergewissern Sie sich vor Nutzung des Gerätes immer von seinem einwandfreien und gebrauchsfähigen Zustand.
- Schalten Sie den Rasentrimmer immer aus und ziehen Sie den Stecker aus der Steckdose, falls das Stromkabel beschädigt wurde oder sich verwickelt hat.
- Bevor Sie Ihre Maschine benutzen, ziehen Sie den Netzstecker und überprüfen Sie zuerst, ob die Spule korrekt befestigt ist. Setzen Sie unter keinen Umständen einen Schneidfaden aus Metall ein.
- Schützen Sie sich vor Verletzungen durch die Schneidklinge in der Schutzhaube.
- Vergewissern Sie sich immer, daß Ihr Arbeitsbereich von Stöcken, Steinen, Drähten und anderen Fremdkörpern frei ist. Der Kontakt mit solchen Teilen kann zu einer Beschädigung Ihres Rasentrimmers führen.



## Betrieb des Gerätes

- Verwenden Sie Ihren Rasentrimmer niemals mit einer beschädigten Schutzhaube oder wenn sie sich nicht in der richtigen Position befindet.
- Um Ihre Maschine zu stoppen, lassen Sie den Betriebsschalter los. Der Schneidfaden wird nach Loslassen des Betriebsschalters noch für einen kurzen Moment nachlaufen. Unter keinen Umständen sollten Sie versuchen, ihn anzuhalten; lassen Sie ihn immer selbständig auslaufen.
- Ziehen Sie immer den Stecker aus der Steckdose, wenn:
  - Sie Ihr Gerät unbeaufsichtigt lassen.
  - Sie den Trimmer reinigen, untersuchen oder irgendein Teil einstellen wollen.
  - Sie Grasreste innerhalb der Schutzhaube entfernen wollen.
  - Der Trimmer extrem vibriert (überprüfen Sie anschließend das Gerät).
  - Sie gegen einen festen Fremdkörper gestoßen sind. Untersuchen Sie anschließend das Gerät auf eventuelle Beschädigungen und ersetzen Sie falls erforderlich die beschädigten Teile.
- Achten Sie beim Anschalten und während des Betriebs Ihres Gerätes auf einen ausreichenden Sicherheitsabstand zu Ihren Füßen und anderen Körperteilen.
- Setzen Sie Ihr Gerät nicht bei Regen ein und lassen Sie es nicht naß werden. Trimmen Sie Ihren Rasen am besten in trockenem Zustand.
- Verwenden Sie Ihren Rasentrimmer nur bei Tageslicht oder bei guter künstlicher Beleuchtung.
- Überqueren Sie keine Kieswege oder Straßen, solange der Schneidfaden rotiert.
- Achten sie während des Trimmens immer auf den Abstand zu Ihren Füßen.
- Mähen Sie Abhänge quer zur Richtung des Gefälles, niemals auf und ab. Tragen Sie rutschfestes Schuhwerk. Seien Sie vorsichtig, wenn Sie die Richtung an einem steilen Hangstück wechseln.



- Trimmen Sie keine extrem steilen Abhänge.
- Gehen Sie immer im Schritt mit dem Rasentrimmer, betreiben Sie ihn niemals im Laufen. Überlasten Sie nicht das Gerät.
- Benutzen Sie das Gerät niemals mit defekter Schutzhaube oder defekter Spule.
- Benutzen Sie Ihr Gerät immer so, wie in der Bedienungsanleitung beschrieben.
- Der Trimmer darf nur in aufrechter Position betrieben werden, da sonst Verletzungsgefahr besteht. Schalten Sie Ihr Gerät nicht ein, wenn es auf dem Kopf steht oder seitlich auf dem Boden liegt.

### Pflege und Aufbewahrung

- Bewahren Sie den Rasentrimmer an einem trockenen Ort und außerhalb der Reichweite von Kindern auf.
- Verwenden Sie keine Lösungs- oder Reinigungsmittel, um Ihre Maschine zu säubern. Verwenden Sie einen stumpfen Schaber um Gras und Schmutz zu entfernen. Unterbrechen Sie immer zuerst die Stromzufuhr und achten Sie darauf, daß sich der Schneidfaden nicht mehr bewegt, bevor Sie mit der Reinigung beginnen.
- Betreiben Sie Ihren Rasentrimmer nicht, falls irgendein Teil beschädigt ist. Ersetzen Sie vor der Nutzung zuerst die beschädigten Teile.
- Um ein optimales Arbeiten zu gewährleisten, sollten Sie dafür sorgen, daß alle Schrauben und Muttern fest angezogen sind.
- Verwenden Sie nur von Black & Decker empfohlene Ersatzteile und empfohlenes Zubehör.
- Black & Decker bemüht sich ständig, seine Produkte weiter zu verbessern. Deshalb behalten wir uns das Recht vor, die Produktspezifikationen zu verändern ohne Sie davon vorher in Kenntnis zu setzen.

### Schutzisolierung



Ihr Trimmer ist doppelt isoliert. Das bedeutet, daß zwei voneinander unabhängige Isolierungsvorkehrungen Sie davor schützen, mit stromführenden Metallteilen in Berührung zu kommen. Dies gewährleistet eine größere Sicherheit setzt allerdings voraus, daß Ihr Gerät geerdet ist.

### Technische Sicherheit

- Sie sollten immer erst den Netzstecker aus der Steckdose ziehen, bevor Sie irgendwelche Stecker, Klemmen oder Verlängerungskabel lösen.
- Steckdosen im Außenbereich müssen mit Fehlerstrom-Schutzschaltern ausgerüstet sein.
- Bitte beachten Sie dies bei der Verwendung unseres Gerätes - sprechen Sie mit Ihrem Elektroinstallateur.



**Achtung!** Eine FI-Sicherung oder andere Stromkreisunterbrecher ersetzen keinsfalls die vorher beschriebenen Sicherheitsanweisungen für die Bedienung Ihres Rasentrimmers.

### Arbeitsvorbereitung (Abb. B - D)

- Bitte nehmen Sie den Rasentrimmer, die Schutzhaube und alle anderen beigefügten Unterlagen aus der Verpackung.
- B** • Stülpen Sie die Schutzhaube (6) über das Spulengehäuse (8) und achten Sie darauf, daß dabei der Schneidfaden (5) nicht eingeklemmt wird.
- C** • Richten Sie die Pfeilmarkierung auf der Schutzhaube (10) an der Viereckmarkierung auf dem Trimmergehäuse (9) aus und schieben Sie die Schutzhaube so weit wie möglich nach oben. Drehen Sie nun die Schutzhaube in die durch den Pfeil (10) angegebene Richtung.
- D** • Die Schutzhaube ist korrekt montiert, wenn die Gewindeaufnahme (11) der Schutzhaube fest in dem Schlitz (12) am Trimmergehäuse sitzt und die Kunststoffsisicherung (13) eingerastet ist.
- Wenn die Schutzhaube korrekt montiert ist, arretieren Sie diese zusätzlich mit der mitgelieferten Schraube durch die dafür vorgesehene Bohrung (16).
- Zur Vermeidung von Transportschäden ist die Fadenspule separat beigelegt und muß vor Arbeitsbeginn montiert werden.

### Montage der Spule (Abb. E)



- Stecken Sie den Schneidfaden durch das Loch im Führungsring.
- Schieben Sie den Führungsring über die Fadenspule.
- Versichern Sie sich, daß genügend Schneidfaden aus dem Loch im Führungsring herausragt, bevor Sie die

Spule in die Spulenhalterung am Trimmergehäuse stecken.

- Greifen Sie die Spule mit der einen und die Spulenhalterung mit der anderen Hand.
- Drücken Sie die Spule in Richtung des Pfeiles a. Drehen Sie anschließend die Spule vorsichtig so lange im Uhrzeigersinn - in Pfeilrichtung b - bis die Spule einklickt.

## Einsatz Ihres Rasentrimmers (Abb. 1 - 8)

Um Ihren Rasentrimmer einzuschalten, drücken Sie den Betriebsschalter. Um das Gerät auszuschalten, lassen Sie den Betriebsschalter wieder los.

Um die höchste Leistung von Ihrem Rasentrimmer zu erhalten, sollten Sie bitte die nachstehenden Anweisungen befolgen. Seien Sie nicht ungeduldig; Sie erzielen die besten Ergebnisse mit wachsender Erfahrung und durch die Befolgung dieser einfachen Regeln.

- 1 Verwenden Sie Ihren Rasentrimmer nicht ohne die Schutzvorrichtung.
- 2 Mähen Sie nicht, wenn das Gras naß ist. Die besten Ergebnisse erzielen Sie bei trockenem Gras.
- 3 Mähen Sie immer im gleichen Winkel und mit der Spitze des Schnitfadens.
- 4 Bewegen Sie den Rasentrimmer gleichmäßig von einer Seite zur anderen.
- 5 Überlasten Sie den Rasentrimmer nicht. Er arbeitet am wirkungsvollsten bei einer hohen Geschwindigkeit.
- 6 Kürzen Sie langes Gras stückweise von oben nach unten.
- 7 Mähen Sie kurze Stücke ab.
- 8 Falls Ihr Gerät über eine Kabelzugentlastung verfügt, sollten Sie - um zu verhindern, daß sich das Verlängerungskabel versehentlich aus dem Stecker am Gerät löst - ein Stück des Kabels in einer Schlinge durch die Kabelhalterung ziehen.

## Verlängerung des Schneidfadens (Abb. F)

**Hinweis:** Es müssen mindestens 5 cm Schneidfaden aus der Spule herausragen, damit Sie Ihren Trimmer benutzen können:

- Halten Sie die Spulenhalterung mit einer Hand und den Schneidfaden mit der anderen. Ziehen Sie anschließend den

## F

Schneidfaden nach oben aus der Vertiefung in der Spulenhalterung.

- Ziehen Sie jetzt den Schneidfaden in Richtung des Pfeiles (b).
- Verlängern Sie den Schneidfaden so lange, bis er die Ecke der Schutzhaube berührt. Klemmen Sie nun den Schneidfaden in die nächste Vertiefung in der Spulenhalterung ein.

**Hinweis:** Bevor Sie Ihren Trimmer zum ersten Mal in Betrieb nehmen, kann es sein, daß der Schneidfaden über den Rand der Schutzhaube hinausragt. Dies kann ebenso der Fall sein, wenn Sie den Schneidfaden manuell verlängern. Der überschüssige Teil des Fadens wird beim Betreiben des Trimmers von der Schneidklinge in der Schutzhaube abgeschnitten. Da dieser Teil herumgeschleudert werden kann, ist es bei einem erheblich zu langem Schneidfaden ratsam, diesen vor Inbetriebnahme des Gerätes bis zur Schutzhaube abzuschneiden.

- Ihr Trimmer ist nun funktionsbereit.

## Einsetzen einer neuen Spule mit Schnitffaden (Abb. G)

- Ziehen Sie den Netzstecker Ihres Trimmer aus der Steckdose.
- Entfernen Sie die Spule und den Führungsring, indem Sie die Spule fest nach unten drücken und gleichzeitig gegen den Uhrzeigersinn - in Pfeilrichtung c - drehen.

Setzen Sie nun die neue Spule - wie schon im Abschnitt "Montage der Spule" beschrieben - ein. Sie können aber auch einen neuen, losen Schneidfaden um die leere Spule wickeln:

## G

- Hierzu führen Sie das Ende des Nylonfadens in eines der Löcher in der leeren Spule ein und wickeln Sie den Schneidfaden in Pfeilrichtung - gegen den Uhrzeigersinn - auf.
- Befestigen Sie den Führungsring auf der Spule. Anschließend befestigen Sie die Spule - wie schon im Abschnitt "Montage der Spule" beschrieben - in der Spulenhalterung.

## Altgeräte und die Umwelt



Wenn Sie eines Tages Ihr Produkt ersetzen möchten oder dafür keine Verwendung mehr haben, so denken Sie bitte an den Umweltschutz. Black & Decker Kundendienstzentren nehmen gerne Ihre Altgeräte entgegen und sorgen für eine umweltgerechte Entsorgung.

## Ersatzschneidfaden

Sie erhalten bei Ihrem Black & Decker Händler eine neue Spule mit 5,5 Metern Schneidfaden. Lose Fäden in den Längen von 25 bis 50 Meter sind ebenfalls erhältlich.

Um ein Höchstmaß an Zuverlässigkeit zu erhalten, sollten Sie nie einen dickeren oder dünneren Schneidfaden (z.B. eine Angelschnur) verwenden. Dies könnte zu einem Ausfall des Motors führen oder die Schnittleistung erheblich beeinträchtigen.

## Pflege und Wartung

- Um bestmögliche Arbeitsergebnisse zu erzielen, sollten Sie Ihren Trimmer, besonders die beweglichen Teile und die Lüftungsschlitze im Motorgehäuse sauber halten. Entfernen Sie Grasreste und anderen Schmutz mit einer trockenen Bürste oder einem trockenen Tuch.
- Kunststoffteile können mit einer milden Seife und einem mit heißem Wasser befeuchteten Tuch gereinigt werden. Verwenden Sie keine Waschmittel, Reiniger oder chemikalien-enthaltende Lösungsmittel, um eine Beschädigung des Kunststoffes zu verhindern. Den Rasentrimmer nicht mit Wasser abspritzen.
- Ihr Rasentrimmer ist mit selbstschmierenden Lagern ausgerüstet, so daß Sie keine Teile schmieren müssen.

## Fehlersuche

Bevor Sie Ihren Rasentrimmer auf eventuelle Fehler untersuchen, immer erst den Netzstecker ziehen.

- Falls Ihr Trimmer sehr stark vibriert, entfernen Sie die Spule aus der Spulenhalterung und befestigen Sie diese erneut in einer anderen Position. Wenn sich dadurch das Problem nicht lösen läßt, entfernen Sie die Spule und umwickeln Sie den Schneidfaden straffer um die Spule, bevor Sie diese wieder einsetzen.
- Läßt sich der Rasentrimmer nicht starten, überprüfen Sie, ob alle Stromkabel richtig angeschlossen sind und ob die Elektrosicherung nicht herausgefliegen ist.

## Was tun, wenn Ihr Rasentrimmer repariert werden muß?

- Informationen dazu wie und wohin Sie Ihren Rasentrimmer zur Reparatur bringen müssen, finden Sie in den beiliegenden Unterlagen. Wir empfehlen, diese sorgfältig aufzubewahren!

## Garantie

Für diese Produkt leistet der Hersteller Gewähr in Übereinstimmung mit den Bedingungen, die auf den beiliegenden Unterlagen abgedruckt sind.

## Weitere Black & Decker Produkte

Black & Decker bietet ein komplettes Sortiment an elektrischen Gartengeräten an, die die Gartenarbeit erheblich vereinfachen. Wenn Sie weitere Informationen bezüglich dieser Produkte wünschen, wenden Sie sich bitte an einen Black & Decker Kundendienst oder Ihren Black & Decker Händler.

Weitere Produkte sind:

Rasenmäher	Häcksler
Rasenlüfter	Heckenscheren
Laubsauger	Kettensägen

### EG Konformitätserklärung

Wir erklären hiermit, daß die folgenden Elektrowerkzeuge:

**GL200, GL300, GL320, GL325, GL330, GL335, GL555, GL565, ST20, ST22, ST23, ST25, ST32**

den Normen 89/392/EEC, 89/336/EEC, EN60335, EN55014, EN55104, 73/23/EEC entsprechen

Lpa (Schalldruck) 108dB (A)

Lpa (Schalleistung) 95dB (A)

Gewichteter Effektivwert der Beschleunigung  
<2.5m/s<sup>2</sup>

Brian Cooke

Director of Engineering  
Spennymoor, County Durham DL16 6JG  
United Kingdom

# Rotofil GL200/GL300

## Notice d'utilisation

### Instructions de sécurité

Nous vous félicitons pour cette acquisition d'un Rotofil Black & Decker. Ce Rotofil possède les caractéristiques suivantes:

- Léger pour plus de maniabilité.
- Système de blocage du câble d'alimentation pour éviter tout démarrage intempestif.
- Moteur puissant pour répondre à la plupart des situations.
- Carter protecteur de sécurité.

### Description

Voici les pièces qui seront mentionnées dans le guide d'utilisation:

1. Corps
2. Interrupteur
3. Système de blocage du câble d'alimentation
4. Ailettes d'aération
5. Fil de nylon
6. Carter protecteur
7. Lame coupe fil
8. Logement de la bobine
9. Repère carré
11. Incisions pour réception des ailettes
12. Ailettes de blocage du carter
13. Cliquet de blocage
14. Bobine
15. Trou de vis du carter
16. Passage du fil
17. Protecteur intérieur
18. Rainure

### Connaissance de votre machine



Lisez attentivement cette notice; respectez toutes les consignes de sécurité et maintenez votre machine en bon état de marche.

Familiarisez-vous avec les fonctions de votre machine avant de l'utiliser; surtout, assurez-vous que vous saurez l'arrêter en cas d'urgence.

**Important:** Lire attentivement toutes les instructions avant d'utiliser votre rotofil!

Débranchez toujours votre produit avant de le nettoyer; inspectez toutes les pièces du Rotofil ainsi que l'état du câble d'alimentation: veillez à ce qu'il ne soit pas emmêlé.

- Afin de protéger vos pieds, portez toujours de bonnes chaussures ou des bottes; en effet, lorsqu'elle est fraîchement coupée, l'herbe est humide et glissante.
- Assurez-vous toujours que votre pelouse ou terrain de coupe ne contient pas de bâton, ni de pierre, ni de câble, ni d'autres débris, susceptibles d'endommager votre machine.
- Portez des pantalons pour protéger vos jambes. Des débris laissés sur votre pelouse ou aire de coupe pourraient être éjectés par le fil de nylon.
- N'utilisez pas votre machine quand il pleut; ne permettez pas qu'elle prenne l'humidité.
- Avant d'utiliser votre machine, déconnectez-la du secteur et contrôlez que les éléments rotatifs ne sont pas abîmés. Vérifiez également que l'assemblage de la bobine est en état de fonctionnement.
- N'utilisez jamais votre machine lorsque certaines pièces sont défectueuses. Retirez-les et remplacez-les.
- Ne permettez pas aux enfants ni aux animaux de s'approcher de l'aire de coupe lorsque la machine fonctionne.
- Veillez à ce que le fil électrique soit tenu à l'écart du fil de nylon.
- N'abandonnez pas votre machine lorsqu'elle est branchée sur le secteur.
- Votre machine est conçue pour être branchée sur le secteur; N'essayez pas d'utiliser n'importe quelle source de courant et assurez vous que la machine est compatible avec cette source. Le voltage de la machine est inscrit sur la plaque d'identification.
- Ne permettez pas aux enfants, ni aux personnes qui ne se servent pas habituellement de ce genre d'outils, ni à toute personne n'ayant pas lu cette notice d'utilisation de se servir de votre Rotofil.



- Le fil de nylon continue de tourner pendant un bref laps de temps après que l'interrupteur soit relâché. En aucun cas vous ne devez essayer d'immobiliser le fil de nylon. Laissez-le s'arrêter seul.
- Ne portez jamais votre appareil par le câble, ni ne secouez le câble pour séparer les raccords. Conservez la machine à l'écart des sources de chaleur et des surfaces grasses. Vérifiez l'état de votre fil électrique avant utilisation; ne l'utilisez pas s'il est endommagé.
- Utilisez toujours votre machine de la manière décrite dans cette notice. Ce Rotofil est conçu pour être utilisé en position verticale vers le sol. Toute autre manière de l'utiliser pourrait causer des blessures.



- Portez toujours des lunettes de protection lorsque vous utilisez le Rotofil.
- Ne traversez pas des chemins gravillonnés ni des routes lorsque le fil de nylon est en mouvement.
- N'utilisez pas de solvant ni de liquide de nettoyage pour entretenir votre machine. Utilisez plutôt un grattoir creux pour enlever l'herbe et la saleté. Débranchez toujours le Rotofil de sa source de courant et veillez à ce que le fil soit arrêté avant de commencer le nettoyage.
- Lorsque vous ne vous en servez pas, conservez votre machine dans un endroit sec et hors de portée des enfants.
- Ne faites pas fonctionner votre Rotofil lorsqu'il est en position renversée.
- N'utilisez pas la machine lorsque le carter de protection n'est pas fixé.
- Pendant l'opération, éloignez le Rotofil de vos pieds et de toute autre partie de votre corps.
- Branchez votre Rotofil dans une prise de courant sûre.
- N'utilisez votre Rotofil qu'en plein jour ou à l'aide d'une bonne lumière artificielle.
- Ne montez jamais un fil de coupe métallique sur votre Rotofil.
- Le câble électrique doit être régulièrement inspecté pour détecter tout signe éventuel d'endommagement ou de vieillissement. Ne l'utilisez que s'il est en bon état.
- N'utilisez pas votre Rotofil lorsque vous êtes pieds nus ou en sandales.
- Soyez sûr de votre équilibre lorsque vous travaillez sur des plans inclinés.

- Ne courez jamais avec le Rotofil. Marchez toujours.
- Coupez l'herbe de votre talus en procédant de manière latérale et non verticale.
- Ne coupez pas en pentes trop abruptes.

## Double isolation



Votre rotofil est muni d'une double isolation. Cela signifie que toutes les pièces métalliques sont électriquement isolées de la source de courant, grâce à une barrière d'isolation, spécialement placée sur les pièces électriques et mécaniques. La double isolation procure une meilleure sécurité électrique et rend inutile le branchement à la terre.

Dans un souci de constante amélioration de ses produits, Black & Decker se réserve le droit de modifier la spécificité de ses produits, sans information préalable.

## Sécurité électrique

Vous devez toujours débrancher votre Rotofil du secteur avant de débrancher toute prise ou raccord électrique. Les fusibles recommandés pour l'utilisation de votre machine sont de 3 Ampères. Les fusibles ne protègent pas de l'électrocution.

## Mise en service du rotofil (Fig. B - D)

- Sortez le Rotofil et le carter de protection de leur boîte.
- Otez la vis du carter située à la base du corps du Rotofil.
- Placez le carter sur le capuchon de la bobine du Rotofil, en veillant à ce que le fil ne soit pas coincé entre les deux pièces.
- Placez en regard la marque carrée du carter de protection et celle du corps du Rotofil. Poussez le carter vers le haut, jusqu'à ce qu'il entre en contact avec la partie inférieure du Rotofil. Tournez le carter dans le sens de la flèche.
- Le carter de sécurité est en place lorsque les languettes sont dans les fentes du corps du Rotofil et lorsque le doigt presseur s'est mis en place.
- Une fois le carter en position, remettre la vis du carter dans le trou de vis.
- Pour éviter tout endommagement pendant le transport, la bobine a été placée dans un sac de polythène.

B

C

D



## Assemblage du capuchon de la bobine (Fig. E)

- E**
- Faites passer le fil dans le trou, à l'intérieur du capuchon, puis libérez le fil de l'incision de blocage dans laquelle il se trouve, sur la partie supérieure de la bobine.
  - Placez le capuchon sur la bobine.
  - Avant de fixer le capuchon sur la bobine, assurez vous que vous avez fait sortir suffisamment de fil de la bobine.
  - Prenez la bobine dans une main, et de l'autre le support de celle-ci; placez la bobine et appuyez dans la direction de la flèche "a", tout en tournant la bobine dans le sens de aiguilles d'une montre (voir flèche "b"), jusqu'à ce qu'elle s'enclenche.

## Utilisation de votre rotofil (Fig. 1 - 8)

Pour utiliser au mieux les capacités de votre Rotofil, nous vous conseillons d'appliquer les techniques suivantes.

- 1 N'utilisez pas votre Rotofil sans son carter de protection.
- 2 Ne coupez pas l'herbe mouillée, des meilleurs résultats sont obtenus en coupe d'herbe sèche.
- 3 Coupez selon un angle d'inclinaison avec l'extrémité du fil de nylon. Le Rotofil est équilibré pour fonctionner ainsi.
- 4 Tournez lentement le Rotofil d'un côté sur l'autre.
- 5 Ne surmenez pas le Rotofil, il travaille mieux à vitesse réduite.
- 6 Pour la coupe d'herbe haute, commencez en haut et non pas en bas du brin.
- 7 Faites des petites coupes.
- 8 Pour mettre en route le rotofil, appuyez sur l'interrupteur. Pour arrêter l'appareil, relâchez l'interrupteur.

## Comment dérouler du fil nylon (Fig. F)

**Remarque:** Avant de procéder à l'alimentation manuelle du fil, il faut faire sortir au moins 5cm de fil de nylon.

- Tenez fermement la bobine d'une main, et de l'autre le fil de nylon; puis tirez le fil par la fente.

## FRANÇAIS

- F**
- Tirez le fil de nylon du logement de la bobine, dans le sens de la flèche (a).
  - Tirez du fil jusqu'à ce que la longueur de fil soit suffisante pour atteindre le bord du carter; puis tirez ce fil jusqu'à la fente de logement de la bobine, comme indiqué par la flèche "c".

**Note:** Lors de la première utilisation, vous pouvez avoir tiré trop de fil de la bobine, que vous pouvez sectionner grâce à une lame située dans le carter.

- Le système d'alimentation est maintenant prêt à fonctionner. Il est important de limiter au maximum les sorties excessives de fil, car, lors de la mise en marche, le segment coupé pourrait être dangereusement éjecté à l'extérieur du carter.

## Remplacement d'une bobine de fil (Fig. G)

- Retirez la bobine et le capuchon intérieur en poussant vers le bas et en tournant dans le sens contraire des aiguilles d'une montre, dans la direction de la flèche "c".

Introduire alors une nouvelle bobine (A6044) comme décrit Assemblage du capuchon de la bobine. Autre solution, vous pouvez enrouler un nouveau fil de nylon autour de la bobine vide comme suit:

- G**
- Introduire un des bouts du fil de nylon dans une cannelure de la bobine et enrouler le fil sur bobine dans la direction de la flèche (sens contraire des aiguilles d'une montre).
  - Remettre le capuchon intérieur sur la bobine et replacer la bobine dans la machine comme décrit dans la partie Assemblage du capuchon de la bobine.

Vous pouvez vous procurer une nouvelle bobine de 9 mètres de fil de nylon (ou éventuellement de 3m) auprès de votre revendeur Black & Decker.

Pour une fiabilité maximale, ne montez jamais sur votre Rotofil une bobine d'un fil plus lourd, ni plus léger (fil de canne à pêche). Cela pourrait endommager le moteur et réduire la performance de coupe du Rotofil.

## Conseils d'entretien

- Pour de meilleurs résultats, veillez à la propreté du fil de nylon, de la bobine et des oules d'aération. Utilisez une brosse ou un chiffon sec pour nettoyer.
- Les parties plastiques peuvent être nettoyées en utilisant du savon liquide et un chiffon humidifié d'eau chaude. N'utilisez jamais un autre type de détergent.
- Ce rotofil est muni de roulements à billes autolubrifiés si bien que l'outil ne nécessite pas de lubrification.

## En cas de fonctionnement défectueux

Avant d'identifier la panne de votre Rotofil, débranchez-le du secteur.

- Si le Rotofil vibre, enlevez la bobine et remplacez-la. Si cela ne résout pas le problème, enlevez la bobine et enroulez le fil nylon plus serré.
- Si votre Rotofil ne démarre pas, assurez-vous que tous les câbles sont branchés. En cas de non fonctionnement, vérifiez votre source de courant et l'état de votre rallonge.

## Si votre rotofil a besoin d'être réparé?

Consultez votre carte de garantie. Nous vous conseillons de conserver cette carte précieusement.

## Interférences radio et TV

Tous les outils Black & Decker sont conformes aux réglementations légales en vigueur en matière d'interférences radio et TV.

## Autres produits Black & Decker

Black & Decker dispose d'une gamme complète de produits électro-portatifs pour vous faciliter le jardinage.

### Attestation de conformité EC

Nous déclarons que les produits:  
**GL200, GL300, GL320, GL325, GL330, GL335, GL555, GL565, ST20, ST22, ST23, ST25, ST32**  
sont conformes aux 89/392/EEC, 89/336/EEC, EN60335, EN55014, EN55104, 73/23/EEC

Niveau de pression acoustique 108dB (A)

Niveau de puissance acoustique 95dB (A)

Niveau de vibration main-bras <2.5m/s<sup>2</sup>



Brian Cooke

Directeur du développement  
Spennymoor, County Durham DL16 6JG  
United Kingdom

# Strimmer

## GL200/GL300

## Gebruiksaanwijzing

### Veiligheidsvoorschriften!

Gefeliciteerd met de aankoop van deze strimmer van Black & Decker. Deze strimmer heeft de volgende praktische eigenschappen:

- Een lichtgewicht model voor gebruiksgemak en wendbaarheid.
- Een veiligheidsschakelaar waardoor de machine niet per ongeluk kan worden ingeschakeld.
- Een krachtige motor die ook voor het zwaardere werk geschikt is.
- Een beschermkap voor extra veiligheid.

### Ken uw machine



Lees deze handleiding zorgvuldig. Neem steeds alle veiligheidsvoorschriften (Waarschuwingen) in acht, voor, tijdens en na het gebruik van de strimmer en zorg voor een goed onderhoud van de machine.

Bestudeer alle onderdelen van de strimmer voordat u de machine gaat gebruiken en zorg er vooral voor dat u weet hoe u de machine moet uitschakelen in geval van nood.

Bewaar deze handleiding en de overige documentatie die bij de machine wordt geleverd zorgvuldig voor latere raadpleging.

### Belangrijk

Lees eerst de gebruiksaanwijzing voordat u de strimmer gaat gebruiken.

Hieronder volgt een lijst met alle onderdelen die in deze gebruiksaanwijzing worden genoemd en in de figuren worden aangegeven:

1. Strimmerhuis
2. Schakelaar
3. Schakelaarbeveiliging
4. Luchtsleuven
5. Nylondraad
6. Beschermkap
7. Draadsnijmes
8. Spoeldekseel
9. Marketing (vierkant)
10. Pijl voor draairichting
11. Binnenring
12. Gleuf (beschermkap)

13. Veerpal
14. Spoel
15. Schroefdraaduitsparing
16. Gleuf
17. Binnendekeel
18. Gleuf

### Algemene waarschuwingen

- Zorg ervoor dat u uw machine goed kent. Lees de instructies daarom zorgvuldig en stel u op de hoogte van de juiste wijze van gebruik van de machine.
- Schakel de strimmer altijd eerst uit en verwijder de stekker uit het stopcontact voordat u een onderdeel van de machine gaat schoonmaken, inspecteren of afstellen. Dit geldt vanzelfsprekend ook wanneer het snoer in de machine is vastgeraakt of beschadigd.
- Draag altijd stevige, dichte schoenen of laarzen om uw voeten te beschermen - pas gemaaid gras is vochtig en glad.
- Controleer of het grasveld of het te maaien oppervlak vrij is van stenen, takken, stokken, draden en afval. Dergelijke voorwerpen kunnen de strimmer beschadigen.
- Draag altijd een lange broek om uw benen te beschermen - voorwerpen op het grasveld of het te maaien oppervlak kunnen worden weggeslingerd door de nylondraad.
- Gebruik de strimmer nooit wanneer het regent en zorg ervoor dat de machine niet nat wordt.
- Haal voor het gebruik de stekker uit het stopcontact en controleer de draaiende delen op beschadigingen. Controleer ook of de spoel op de juiste manier geplaatst is.
- Gebruik de machine niet als u beschadigingen constateert. Verwijder de beschadigde onderdelen en monteer nieuwe onderdelen.
- Zorg ervoor dat er geen kinderen, andere personen of dieren in de buurt komen tijdens het gebruik van de strimmer. Houd ze altijd op afstand van het te maaien oppervlak.



- Houd het snoer uit de buurt van de nylondraad - controleer steeds waar het snoer zich bevindt.
- Blijf bij de machine zolang de stekker in het stopcontact zit.
- De strimmer werkt uitsluitend op wisselstroom - sluit de machine niet aan op andere energiebronnen. De strimmer is geschikt voor 220 volt.
- Laat alleen personen die deze gebruiksaanwijzing hebben gelezen met de strimmer werken. Sta dit nooit toe aan kinderen of volwassenen die niet vertrouwd zijn met dergelijke machines.



- Na het uitschakelen blijft de nylondraad nog enkele seconden in beweging. Probeer de draad nooit te stoppen maar laat de draad vanzelf tot stilstand komen!
- Draag de strimmer nooit aan het snoer en trek alleen aan de stekker om deze uit het stopcontact te halen. Houd het snoer uit de buurt van warmtebronnen, olie of scherpe voorwerpen. Controleer het snoer voor gebruik en gebruik het nooit wanneer het beschadigd is.

- Gebruik de machine uitsluitend zoals aangegeven in deze gebruiksaanwijzing en alleen rechtop. Een andere stand kan ongelukken veroorzaken.



- Draag altijd een veiligheidsbril tijdens het gebruik van de strimmer.
- Steek geen grindpaden of wegen over wanneer de nylondraad nog in beweging is.
- Verwijder de stekker uit het stopcontact en controleer of de nylondraad stilstaat voordat u de machine gaat schoonmaken. Gebruik geen schoonmaak- of oplosmiddelen voor het reinigen van de machine - verwijder gras en vuil met een botte schraper.



- Berg de machine op een droge plaats en buiten bereik van kinderen op.
- Schakel de machine alleen in wanneer deze rechtop staat.
- Gebruik de machine nooit zonder beschermkap.
- Houd de machine tijdens het gebruik uit de buurt van voeten en andere lichaamsdelen.
- Gebruik altijd een geaard stopcontact.
- Gebruik de machine nooit in het donker, dus uitsluitend bij daglicht of voldoende kunstlicht.
- Wikkel nooit een metalen snijdraad op de spoel.



- Controleer het snoer regelmatig op beschadigingen of veroudering. Gebruik het snoer alleen wanneer het in goede staat verkeert.
- Gebruik de machine niet wanneer u op blote voeten loopt of sandalen draagt.
- Wanneer u op een helling strimt, dient u ervoor te zorgen dat u stevig staat.
- Ga nooit rennen met de strimmer.
- Op hellingen dient u altijd in horizontale, nooit in verticale banen te strimmen. - gebruik de machine niet op zeer steile hellingen.

## Dubbele isolatie



De strimmer is voorzien van een dubbele isolatie. Dit betekent dat alle uitwendige metalen orderdelen zijn geïsoleerd van de stroomtoevoer. De dubbele isolatie bestaat uit een extra isolerende laag tussen de elektrische en de mechanische delen.

Dubbele isolatie betekent grotere veiligheid. Bij Black & Decker wordt voortdurend gewerkt aan verbetering van producten. Black & Decker behoudt zich dan ook het recht voor de productspecificaties zonder voorafgaand bericht te wijzigen.

## Elektrische beveiliging

Schakel de machine altijd uit door middel van de schakelaar voordat u de stekker van de strimmer of van het verlengsnoer uit het stopcontact haalt. Het is raadzaam de machine in combinatie met een stop van 3 Ampère te gebruiken.

Opmerking: zekeringen beschermen niet tegen elektrische schokken.

## De strimmer gebruiksklaar maken (Fig. B - D)

- Haal strimmer, beschermkap en onderdelen uit de doos.
- Haal de schroef voor de beschermkap uit de onderdelenverpakking.

**B**

- Plaats de kap over de spoelhouder op de strimmer en zorg ervoor dat de nylondraad er niet tussen komt te zitten.

**C**

- Plaats de vierkante markering op de beschermkap boven de vierkante markering op het motorhuis en duw de beschermkap omhoog totdat deze de onderzijde van het motorhuis bijna raakt. Draai de beschermkap nu in de richting van de pijl.

- D**
- De beschermkap is op de juiste manier gemonteerd wanneer de richels op de kap precies in de gleuven van het motorhuis vallen en de blokkeerpal goed zit.
  - Wanneer de beschermkap op de juiste plaats zit, kunt u de schroef door de opening in de beschermkap vastdraaien in het schroefgat van het motorhuis van de strimmer.
  - Om schade tijdens het transport te voorkomen, is de spoel in een polytheen zak verpakt.

## Montage van de spoel (Fig. E)

- E**
- Haal de nylondraad door de opening in het binnendeksel en maak de draad vervolgens los uit de inkeping in de bovenzijde van de spoel.
  - Plaats het binnendeksel op de spoel.
  - Zorg ervoor dat er voldoende nylondraad uit de opening in het binnendeksel steekt. Plaats dan de spoel in de spoelhouder.
  - Neem de spoel in de ene hand en de spoelhouder in de andere. Druk de spoel naar beneden in de richting van pijl (A) en draai deze kloksgewijs in de richting van pijl (C) totdat de spoel vastklikt.

## Gebruik van de strimmer (Fig. 1 - 8)

Voor een optimaal gebruik van de strimmer dient u de onderstaande regels in acht te nemen. De beste resultaten krijgt u na enige oefening en met een beetje geduld.

- 1** Gebruik de strimmer nooit zonder de beschermkap.
- 2** Snijd geen nat gras; de strimmer werkt het beste bij droog gras.
- 3** Houd de strimmer onder een lichte hoek en snijd met de punt van de nylondraad. Op deze manier werkt de strimmer het beste.
- 4** Beweeg de strimmer rustig heen en weer.
- 5** Voorkom overbelasting van de strimmer. Het beste resultaat krijgt u bij een hoog toerental.
- 6** Maai van lang gras eerst de bovenste punten af.
- 7** Maai kleine stukjes tegelijk.
- 8** U schakelt de strimmer aan door de schakelaar in het handvat in te drukken. U schakelt de strimmer uit door de schakelaar in het handvat los te laten.

## Nylondraadtoevoer (Fig. F)

**Opmerking:** Er dient tenminste 5cm nylondraad uit het spoeldekseel te steken voordat de hand- draadtoevoer werkt:

- Houd de spoelhouder stevig in de ene hand en de nylondraad in de andere en trek de draad uit de gleuf.
- Trek de nylondraad uit de spoelhouder in de richting van pijl (A).
- Blijf de nylondraad uit de spoelhouder trekken, in de richting van pijl (B) totdat de draad de rand van de beschermkap reikt. Zet de draad vervolgens vast in de tweede gleuf van de spoelhouder, zoals aangegeven bij pijl (C).

**Opmerking:** Wanneer de strimmer voor het eerst wordt gebruikt, wordt alle overtollige draad afgesneden door het snijmesje in de beschermkap. Dit geldt ook voor alle volgende keren dat u draad toevoert. Aangezien de nylondraad, afgesneden door het snijmes in de spoel naar buiten wordt geworpen, is het van belang dat u niet teveel draad van de spoel trekt. Wanneer er teveel draad naar buiten is getrokken, dient u de draad af te knippen ter hoogte van de buitenste rand van de beschermkap voordat u de strimmer inschakelt.

- Uw Black & Decker strimmer is nu klaar voor gebruik.

## Montage van een nieuwe nylondraadspoel (Fig. G)

- Verwijder het spoel- en binnendeksel door ze naar beneden te drukken en draai ze tegen de wijzers van de klok in, in de richting van pijl B.

Plaats een nieuwe, volle spoel in de houder zoals beschreven in 'Montage van de spoel' of leg de nieuwe nylondraad op de lege spoel:

- G**
- Klem een uiteinde van de nylondraad in één van de inkepingen van de spoel en wikkel op de spoel in de richting van de pijl (tegen de wijzers van de klok in) totdat de spoel vol is.
  - Plaats het binnendeksel op de spoel en plaats de spoel in de machine zoals beschreven in 'Montage van de spoel'.

## Ongewenste producten en het milieu



Denk a.u.b aan het milieu als u op een dag besluit dat u het product wilt vervangen of niet langer nodig heeft. De Black & Decker-Centra zullen al uw oude producten aanvaarden en ze op een milieu-vriendelijke manier verwerken.

## Black & Decker garantie voor gras en tuin

**Deze garantie dekt onderdelen gedurende 12 en herstellingen gedurende 6 maanden. Een aankoopbewijs is steeds vereist.**

Als uw Black & Decker-product een defect vertoont als gevolg van defecte onderdelen of slechte afwerking, zullen wij, ofwel alle defecte onderdelen, ofwel, naar ons goedgevoelen, het hele product gratis vervangen, op voorwaarde dat:

- Het product naar ons of een goedgekeurde dealer gebracht wordt met bewijs van aankoop.
- Het product gebruikt werd binnen zijn gebruiksbependingen.
- Het product niet verhuurd werd.
- Niemand anders dan ons eigen personeel of goedgekeurde herstellende, de machine heeft proberen te herstellen.
- Het defect een gevolg is van normale slijtage.

Deze garantie is een extra service, naast uw statutaire rechten.

## Onderhoud

- Houd de nylondraad, spoel en luchtsleuven in het motorhuis van de strimmer schoon. Verwijder gras, vocht en vuil met een droge borstel of doek.
- De kunststof onderdelen kunt u schoonmaken met een warm sopje van zachte zeep en een vochtige doek. Gebruik geen andere schoonmaak- of oplosmiddelen, daar deze vaak chemische stoffen bevatten die de kunststof ernstig kunnen beschadigen. De strimmer zelf mag nooit nat worden.
- De machine is voorzien van zelfsmurende lagers, dus behoeft niet gesmeerd te worden.

## Nieuwe spoelen

Bij uw Black & Decker leverancier zijn spoelen met 9 meter nylondraad verkrijgbaar. Er zijn eveneens spoelen met 30 meter draad leverbaar.

Voor maximale betrouwbaarheid kunt u beter geen zwaardere of lichtere nylondraad (bijvoorbeeld vislijn) gebruiken. Hierdoor kan de motor beschadigd raken of kan de machine minder goed gaan snijden.

## Storingen

Schakel de strimmer uit en haal de stekker uit het stopcontact voordat u de machine controleert.

- Als de strimmer trilt, dient u de spoel te verwijderen en opnieuw te monteren. Is het probleem hiermee niet verholpen, verwijder dan nogmaals de spoel en wikkel de draad deze keer steviger rond de spoelhouder.
- Als de strimmer niet wil starten, dient u te controleren of alle snoeren op de juiste wijze zijn aangesloten. Is het probleem hiermee niet verholpen, controleer dan het stopcontact, de stop, de bedrading van het verlengsnoer en de contrastekker.

## Reparaties aan de strimmer

Op het garantiebewijs vindt u informatie over hoe en wanneer u uw strimmer moet opsturen voor reparaties en service. Bewaar dit bewijs zorgvuldig.

## Ontstoring

Al het Black & Decker tuingereedschap voldoet aan de wettelijke radio- en televisie- ontstoringsvoorschriften.

## Andere producten van Black & Decker

Black & Decker levert een complete serie elektrisch tuingereedschap. Neem voor informatie over onderstaande producten contact op met het dichtsbijzijnde Black & Decker-Center. Of raadpleeg uw Black & Decker-leverancier.

**Grasmaaiers, Heggescharen, Strimmers, Kettingzagen, Verticuteerders, Bladruimers, Compostmolens**

### EC Verklaring van Conformiteit

Wij verklaren dat de machines:  
**GL200, GL300, GL320, GL325, GL330, GL335,  
GL555, GL565, ST20, ST22, ST23, ST25, ST32**  
conform is aan: 89/392/EEG, 89/336/EEG,  
EN60335, EN55014, EN55104, 73/23/EEG

Gewogen geluidsdruk 108dB (A)  
Gewogen geluidskracht 95dB (A)  
Gewogen vibratie hand/arm <2.5m/s<sup>2</sup>

Brian Cooke

Hoofd van de Technische dienst  
Spennymoor, County Durham DL16 6JG, United Kingdom

# Recortabordes GL200/GL300

## Manual de instrucciones

### Enhorabuena!

Enhorabuena por haber adquirido este Recortabordes Black & Decker, una máquina que le ofrece las siguientes ventajas:

- Poco peso y gran maniobrabilidad.
- Protector del interruptor para evitar la puesta en marcha accidental.
- Potente motor para resolver cualquier problema.
- Robusto protector para mayor seguridad.

**Importante:** Antes de usar este producto, lea con atención todas estas instrucciones.

### Conozca su máquina



Lea con atención este Manual observando en todo momento las Precauciones de Seguridad (Precaución) antes, durante y después del uso. Conserve su máquina en perfecto estado.

Familiarícese con los mandos de la máquina antes de usarla pero, sobre todo, sepa cómo se para la máquina en caso de emergencia.

Guarde en lugar seguro este Manual y cualquier otra documentación de su máquina para futuras referencias.

### Descripción

A continuación incluimos una lista de las piezas que se mencionan en este Manual y que aparecen en los correspondientes diagramas:

1. Cuerpo
2. Interruptor
3. Protector del interruptor
4. Rejillas de ventilación
5. Hilo de nylon
6. Protector
7. Cuchilla limitadora el hilo
8. Soporte de la bobina
9. Apriete
10. Flecha
11. Canal
12. Ranura (cuerpo)
13. Lengüetas
14. Bobina
15. Agujero para tornillo del protector
16. Ranura (soporte bobina)
17. Tapa interior
18. Hendidura

### Precaución

- Conozca su máquina. Lea con atención estas instrucciones. Con el uso de su equipo.
- Desconecte y desenchufe siempre la máquina antes de limpiarla, revisarla o ajustar cualquier pieza de la misma o si el cable de alimentación está roto o enganchado.
- Para proteger sus pies, lleve siempre zapatos o botas fuertes. El césped recién cortado está húmedo y resbaladizo.
- Compruebe siempre si el césped que vaya a cortar está libre de piedras, palos, alambres y otros residuos. El contacto con los mismos puede dañar su máquina.
- Lleve pantalones largos para proteger sus piernas. La máquina puede arrojar con fuerza los residuos que queden en el césped.
- No use su máquina bajo la lluvia ni deje que se moje.
- Antes de usar la máquina, desenchúfela de la corriente y compruebe visualmente si las piezas giratorias están en buen estado y si la bobina de nylon está bien montada.
- No utilice su máquina si tiene alguna pieza defectuosa. Antes de usarla, quite las piezas defectuosas y sustitúyales por nuevas.
- No deje que los niños, adultos o animales se acerquen a su máquina mientras la usa. Manténgalos siempre alejados de la zona de trabajo.
- Mantenga siempre alejado el cable eléctrico del hilo de nylon. Vigile en todo momento la posición del cable.
- No deje su máquina sola y enchufada a la corriente.
- La máquina está diseñada para enchufarla únicamente a la corriente alterna. No use otras fuentes de



alimentación y compruebe si el voltaje de la máquina corresponde con el c corriente. El voltaje de la máquina está indicado en la placa de características.

- No deje nunca que usen la máquina niños ni personas que no estén familiarizadas co ni aquéllos que no hayan leído este folleto.
- El hilo de nylon sigue girando algunos momentos después de haber apagado la máquina ningún caso intente parar el hilo con la mano. Deje que lo haga por sí mismo.
- No lleve nunca su máquina por el cable ni tire del cable para desenchufarla. Mantenga alejado de fuentes de calor, grasa, aceite o hilos cortantes. Antes de usar la máquina compruebe el estado del cable y no la use si el cable está roto.
- Use siempre su máquina como se indica en este manual. La máquina está diseñada para usarse en posición vertical y, si se hace de otro modo, se pueden producir daños perso



- Lleve siempre gafas de seguridad cuando use esta máquina.
- No pase la máquina por senderos de tierra o gravilla mientras siga girando el hilo de nylon.
- No use disolventes ni líquidos limpiadores para limpiar su máquina. Use una espátula afilada para quitar la hierba y la suciedad. Desenchufe siempre la máquina de la corriente y espere a que el nylon se haya parado.



- Guarde su máquina cuando no la use en un lugar seco y fuera del alcance de los niños.
- No conecte la máquina si está boca abajo.
- No use nunca la máquina sin que esté el protector colocado en su sitio.
- Mantenga la máquina alejada de sus pies y de otras partes de su cuerpo mientras la utilice.
- Enchufe la máquina a un enchufe de fuerza, no a uno corriente.
- Use la máquina sólo de día o con buena luz artificial.
- No ponga nunca hilo metálico para cortar.



- Inspeccione periódicamente el cable por si encuentra síntomas de daños o envejecimiento Uselo sólo si está en buen estado.

- No use la máquina yendo descalzo o con sandalias.
- Si usa la máquina en pendiente, colóquese de modo que no pierda el equilibrio.
- Use la máquina andando, nunca corriendo.
- Corte a lo largo de las pendientes, no de arriba a abajo.
- No use la máquina en pendientes muy pronunciadas.

## Doble aislamiento



Esta máquina lleva doble aislamiento. Esto supone que todas las piezas metálicas externas están aisladas eléctricamente, mediante una doble barrera aislante situada entre las piezas mecánicas y eléctricas doble aislamiento supone mayor seguridad eléctrica y evita el uso de cable de masa.

La política de Black & Decker consiste en mejorar continuamente sus productos. Por eso se reserva derecho a cambiar sus especificaciones sin previo aviso.

## Seguridad eléctrica

Antes de cambiar cualquier enchufe o conectar/desconectar una alargadera debe desconectarse la máquina, de la corriente.

## Otras normas de seguridad

Podrá aumentar la seguridad eléctrica haciendo que un electricista especializado instale en su domicilio un interruptor de alta sensibilidad.

Si no tiene instalado un interruptor ni lo va a instalar, para mayor seguridad le recomendamos encarecidamente que enchufe la máquina a un circuito que tenga un dispositivo residual de alta sensibilidad, diseñada para ofrecer mayor grado de protección personal contra descargas eléctrica produjera algún fallo.



**Atención!** El uso de un interruptor o cualquier otro dispositivo de seguridad no exime al usuario de esta máquina de tomar todas las precauciones de seguridad y seguir al pie de la letra normas de este Manual.

## Preparación del recortabordes para su uso (Fig. B - D)

- Saque del embalaje el recortabordes, el protector y la bolsa con el resto de la pieza.
- Saque de la bolsa el tornillo del protector.



- B** • Coloque el protector sobre el alojamiento de la bobina en el recortabordes, procurando que el hilo de nylon no quede pillado entre las dos partes.
- C** • Haga coincidir la marca cuadrada del protector con la que hay en el cuerpo del recortabordes y tire del protector hacia arriba hasta que quede casi tocando la parte inferior del cuerpo. Gire entonces el protector en la dirección de la flecha.
- D** • El protector está bien colocado cuando el saliente del mismo ha encajado en las ranuras del cuerpo del recortabordes y la una ha encajado también en su lugar.
  - Cuando esté el protector colocado, sujételo con el tornillo haciéndolo pasar a través del orificio que hay en el propio protector y en el saliente del cuerpo del recortabordes.
  - Para evitar daños durante el transporte, la bobina va envuelta en una bolsa de politeno.

## Como montar la tapa de la bobina (Fig. E)

- E** • Haga pasar el hilo de nylon por el agujero de la tapa interior y después suéltelo de la ranura que hay en la parte delantera de la bobina.
  - Coloque la tapa interior de la bobina.
  - Procure que pase suficiente hilo por el agujero de la tapa antes de volver a poner la bobina en su base.
  - Sujete la bobina con una mano y la base con la otra. Monte la bobina empujándola en dirección de la flecha y haciéndola girar a derechas hasta que note que queda encajada (se oye un clic).

## Como usar su recortabordes (Fig. 1 - 8)

Para sacar el máximo partido a su recortabordes, aprenda con cuidado estas técnicas. Tenga paciencia, los mejores resultados se consiguen con la experiencia y siguiendo estas sencillas reglas:

- 1** No use el recortabordes sin el protector instalado.
- 2** No corte césped húmedo. Los mejores resultados se consiguen cuando está seco.
- 3** Corte con el hilo de nylon formando cierto ángulo. El recortabordes está equilibrado para funcionar de esta manera.

- 4** Mueva suavemente el recortabordes de un lado a otro.
- 5** No sobrecargue el recortabordes. Funciona mejor a mayor velocidad.
- 6** Con el césped largo empiece a cortar por arriba. Vaya cortando poco a poco. Para poner en marcha el recortabordes, apriete la palanca del interruptor.
- 7** Para pararlo, suelte la palanca del interruptor.
- 8** Si su recortabordes lleva un sujetador de cables, ponga un lazo de cable en él para evitar se desenchufe.

## Como sacar más hilo de nylon (Fig. F)

**Nota:** Antes de empezar a usar la máquina, compruebe si existe al menos un trozo de 5cm de hilo de nylon que sobresale de la bobina.

- Sujete fuertemente con una mano la base de la bobina y tire con la otra del hilo de nylon. Saque el hilo por la ranura.
- F** • Tire del hilo en dirección de la flecha (a).
- Siga tirando del hilo en dirección de la flecha (b), hasta que llegue al borde del protector. Tire después hacia abajo hasta meter el hilo por la siguiente ranura de la bobina, como indicada la flecha (c).

**Nota:** Cuando utilice la máquina por vez primera, si el hilo es demasiado largo lo cortará la cuchilla que lleva el protector. Esto sucederá también en posteriores ajustes de la longitud del hilo. Es conveniente que no haya mucho hilo de nylon saliendo. Al ser cortado por la cuchilla del protector es expulsado con fuerza. Si se ha sacado demasiado hilo, al ser cortado volverá hacia el interior con lo que será necesario volver a expulsar más al poner en marcha de nuevo el recortabordes.

- Ya tiene la máquina lista para funcionar.

## Como cambiar la bobina de hilo (Fig. G)

- Quite la bobina y la tapa interior empujando hacia abajo y haciéndola girar a la izquierda en la dirección de la flecha (b).

Ponga una nueva bobina de hilo según se indica en Cómo montar la tapa de la bobina. También puede enrollar el hilo de nylon en la bobina vacía del siguiente modo:

## G

- Coloque el extremo del hilo en una de las ranuras de la bobina y enróllelo en dirección (a izquierdas) hasta que la bobina esté llena.
- Ponga la tapa interior de la bobina y monte ésta en el recortabordes, como se indica en montar la tapa de la bobina.

## Cuidados y mantenimiento

- Para conseguir un mayor rendimiento, procure que estén siempre limpias las ranuras del c recortabordes, el hilo de nylon y la bobina. Para quitar las hierbas, residuos y otra suciedad cepillo o paño seco.
- Puede limpiar las partes de plástico usando un jabón suave y un paño humedecido en agua no use otros tipos de detergente, limpiador ni disolvente que puedan contener productos que dañarían gravemente el plástico. No limpie el recortabordes con chorro de agua.
- Esta máquina lleva rodamientos autolubrificantes, por lo que no necesita lubricación.

## Hilo de nylon de repuesto

Podrá adquirir bobinas de 9m de hilo de nylon en los Concesionarios Black & Decker. También de bobinas de 30m.

Para mejor funcionamiento de su máquina, no ponga nunca hilo de nylon más fino ni más grueso (ejemplo, hilo de pescar), que podría causar averías en el motor o reducir el rendimiento de su máquina.

## Localización de averías

Antes de inspeccionar su recortabordes, desenchúfelo de la corriente.

- Si el recortabordes vibra demasiado, quite la bobina y póngala en otra posición. Si esto no soluciona el problema, quite la bobina y enrolle el hilo más fuerte. Vuelva a poner la bobina.
- Si el recortabordes no se pone en marcha, compruebe si están bien conectado el cable alimentación. Si no funciona, compruebe el enchufe, la alargadera y los enchufes.

## Qué hacer en caso de reparación del recorta-bordes

Este folleto contiene un gráfico de las piezas e información acerca de cómo y adónde enviar la máquina para reparación o mantenimiento. Recomendamos conservar este folleto en un lugar seguro.

## Interferencias de radio y TV

Todas las herramientas de jardín Black & Decker cumplen con los requisitos legales sobre interferencias de radio y TV.

## Otros productos Black & Decker

Black & Decker dispone de toda una gama de herramientas eléctricas de jardín que le facilitan esas tareas. Si quiere más información sobre alguno de los siguientes productos.

### Certificado de conformidad de la UE

Declaramos que la siguiente unidad:  
**GL200, GL300, GL320, GL325, GL330, GL335, GL555, GL565, ST20, ST22, ST23, ST25, ST32**  
cumplen con la directiva UE/89/392, UE/89/336, EN60335, EN55014, EN55104, UE/73/23

Su presión sonora ponderada es de 108dB (A)

Su potencia sonora ponderada es de 95dB (A)

Las vibraciones ponderadas al brazo/la mano son de  $<2.5\text{m/s}^2$



Brian Cooke

Director de Ingeniería  
Spennymoor, County Durham DL16 6JG  
Reino Unido

# Aparador GL200/GL300

## Manual de instruções

### Parabéns!

Pela compra deste aparador Black & Decker. Ele inclui as seguintes características:

- Corpo leve para maior facilidade de uso.
- Resguardo do interruptor para prevenção de arranque acidental.
- Potente motor para todo o tipo de condições.
- Resguardo resistente para maior segurança.

### Descrição

1. Corpo
2. Interruptor
3. Resguardo do interruptor
4. Entradas de ar
5. Fio de nylon
6. Resguardo
7. Lâmina limitadora do fio
8. Compartimento da bobina
9. Encaixe
10. Seta
11. Aresta
12. Ranhura (corpo aparador)
13. Mola
14. Bobina
15. Orifício do parafuso - do resguardo
16. Ranhura (compartimento da bobina)
17. Tampa
18. Entalhe

### Instruções de segurança

Ao utilizar ferramentas eléctricas deve observar as regras que se seguem, de modo a minimizar o risco de acidentes.

- Mantenha a área de trabalho limpa e sem obstáculos.
- Tenha em consideração o ambiente de trabalho. Não exponha as ferramentas a chuva nem as utilize em ambientes húmidos ou perto de substâncias inflamáveis.

Proteja-se de choques eléctricos evitando o contacto com superfícies ligadas a terra (canos, aquecedores, frigoríficos, etc.).



- Mantenha as crianças afastadas do local de trabalho, bem como outros visitantes.
- Guarde as ferramentas que não estejam em uso.
- Não force a máquina. Fará melhor o seu trabalho se a deixar funcionar dentro dos níveis para que foi concebida.
- Utilize a máquina certa para cada tarefa. Não use pequenas máquinas para trabalhos pesados nem para fins não destinados (ex: serra circular para cortar troncos).



- Não use a máquina se o cabo não estiver em perfeito estado, nem a transporte segurando-a pelo mesmo. Proteja o cabo de cortes e outros danos.
- Utilize o vestuário apropriado para trabalhar. Apanhe o cabelo se o usar comprido, remova fios ou outros adornos que possam ser apanhados pelas partes em movimento da máquina.
- Fixe bem a peça em que está a trabalhar. É mais seguro que utilizar as mãos.
- Mantenha as ferramentas em bom estado. Siga as instruções referentes à sua lubrificação e conservação e leve-as a um Centro de Reparações autorizado sempre que haja uma avaria.
- Retire todas as chaves de aperto ou ajuste das zonas móveis da máquina, antes de iniciar a sua utilização.
- Use extensões à prova de humidades sempre que trabalhar no exterior.
- Mantenha-se atento ao que está a fazer, não se distraia.
- Utilize o equipamento de extracção de poeiras sempre que for possível.
- Verifique periodicamente se há partes danificadas na sua máquina. Caso haja, substitua-as num Centro autorizado da Black & Decker.

**Aviso!** A utilização de peças ou acessórios não recomendados neste manual podem representar um perigo para o utilizador.

### Preparação



- Proteja os pés, mãos, olhos e ouvidos ao operar com ferramentas para tarefas mais duras.
- Em caso de poeiras, use uma máscara.

- Verifique o posicionamento do cabo eléctrico ou extensão, antes de iniciar o trabalho.

#### Utilização

- Verifique se na relva não existem obstáculos que podem danificar a máquina.
- Certifique-se que ao trabalhar com o aparelho, o cabo eléctrico não fica ao alcance da zona de corte.
- Nunca tente parar o fio. Deixe-o parar por si.
- Opere com a sua máquina apenas à luz do dia ou com boa iluminação artificial.
- Trabalhe sempre numa posição de equilíbrio. Não facilite o acidente.
- Não force a máquina.



#### Manutenção e armazenamento

- Guarde a sua máquina num local seco e fora do alcance das crianças.
- Não use produtos químicos ou solventes para limpeza da máquina, pois podem danificar as partes plásticas da mesma.
- Não utilize a máquina se houver partes avariadas ou defeituosas.
- Use apenas peças e acessórios genuínos da Black & Decker.
- Mantenha todas as porcas e parafusos bem apertados; assegure-se que a máquina está sempre em boas condições de uso.

### Duplo isolamento



A sua máquina possui duplo isolamento, o que significa que todas as partes metálicas externas estão isoladas da corrente eléctrica, através da inclusão de uma segunda barreira isolante entre os componentes eléctricos e os mecânicos. Duplo isolamento significa maior protecção e torna desnecessária a ligação à terra da máquina.

### Vestuário

Use protectores de ouvidos se o nível de ruído for incomodativo, ao usar o aparelho.

### Cuidados com o aparador

Lembre-se que o operador/utilizador é responsável em caso de acidentes com terceiros que ocorram na sua propriedade.

### Extensões de cabo

Podem ser utilizadas extensões de cabo com dois condutores. Estas devem estar preparadas para funcionar em ambientes externos. As extensões eléctricas devem cumprir com as normas nacionais vigentes.

### Montagem da bobina (Fig. E)

E

- Passe o fio pelo orifício da tampa da bobina e desprenda o fio do entalhe situado no topo da mesma.
- Coloque a tampa da bobina.
- Assegure-se que introduziu suficiente fio, antes de montar a bobina no suporte.
- Segure a bobina com uma mão e o suporte com a outra. Monte a bobina premindo-a para baixo no sentido da seta (A) e rodando no sentido da seta (B) até sentir que está fixa.

### Como utilizar o aparador (Fig. 1 - 8)

Para ligar o aparador, prima o interruptor. Para desligar, solte o interruptor.

Para tirar o melhor partido do seu aparador, aprenda as técnicas seguintes. Não seja impaciente; obterá melhores resultados experimentando e seguindo estas simples regras:

1

Não utilize o aparador sem resguardo.

2

Não corte relva molhada. Obterá melhores resultados se a cortar seca.

3

Corte em ângulo e com a ponta do fio. O aparador está balanceado para operar ligeiramente inclinado.

4

Balance ligeiramente o aparador para ambos os lados.

5

Não esforce o aparador. Funciona melhor a alta rotação.

6

Em relva alta, comece pelo topo.

7

Faça pequenos cortes.

8

Se o aparador possuir retentor para o cabo, faça um nó através do retentor para evitar que a extensão se desligue do cabo no caso de sofrer um puxão.

### Alimentação do fio de nylon (Fig. F)

**Nota:** Deve haver um mínimo de 5cms de fio fora da bobina, antes de operar com o seu aparador de alimentação manual:

## F

- Segure firmemente a bobina de fio com uma mão e com a outra, puxe o fio para fora da ranhura.
- Puxe o fio de nylon na direcção da seta conforme mostra o diagrama.
- Puxe até que haja fio suficiente para chegar até à esquina do resguardo e depois prenda-o na ranhura da bobina, tal como indicado pela seta (C).

**Nota:** Quando o aparador for accionado, qualquer excesso de fio que tenha sido puxado será cortado pela lâmina limitadora situada num dos lados do resguardo. Para evitar a sua projecção ao ser cortado, não se deve puxar demasiado fio para além do resguardo.

- Agora, o seu aparador está pronto para ser utilizado.

## Como colocar uma nova bobina de fio (Fig. G)

- Retire a tampa da bobina, empurrando-a e rodando para a esquerda, na direcção da seta (C).

Coloque uma bobina cheia conforme descrito no parágrafo "Montagem da bobina". Em alternativa pode enrolar fio na bobina vazia como segue:

## G

- Coloque uma extremidade do fio numa das ranhuras do carro e enrole o fio à sua volta, na direcção da seta até estar cheio.
- Coloque a tampa na bobina e seguidamente, monte-a na máquina conforme explicado no parágrafo "Montagem da bobina".

## Recargas de fio de nylon

Pode adquirir recargas de fio para o seu aparador, com quantidades diversas, que vão dos 5,5mts. aos 15 ou aos 30 mts.

Utilize sempre fio de nylon Black & Decker, pois só assim garantirá a medida e espessura correctas para o seu aparador funcionar sem problemas nem riscos.

## Cuidados e manutenção

- Para melhor funcionamento, mantenha o fio e as entradas de ar no aparador limpos. Use uma escova ou pano secos para remoção de relva e lama acumulada.
- Limpe as partes plásticas com um pano húmido e sabão suave. O uso de detergentes pode danificar o corpo da máquina. Não pulverize o aparador com água.

- Esta máquina possui rolamentos auto lubrificadas, o que dispensa esta operação por parte do utilizador.

## Localização de avarias

Antes de procurar avarias no seu aparador, desligue-o da corrente.

- Se o aparador vibrar, retire a bobina de fio e volte a colocá-la noutra posição. Se não resolver o problema, volte a enrolar o fio na bobina antes de a substituir.
- Se o motor do seu aparador não arrancar, verifique todas as ligações eléctricas, desde o quadro eléctrico até à extensão utilizada.

## Ferramentas usadas e o meio ambiente



Se um dia resolver substituir o seu aparelho ou verificar que já não lhe serve, pense no ambiente antes de se desfazer do mesmo. Os centros de assistência da Black & Decker recebem e tratam das ferramentas de um modo ambientalmente seguro.

## Garantia Black & Decker

Se esta máquina apresentar algum defeito de material ou fabrico dentro dos 12 meses seguintes à data da sua aquisição, a Black & Decker garante quer a reparação, por substituição das peças defeituosas, quer a eventual substituição da própria máquina, sem quaisquer encargos, desde que:

- A máquina seja entregue em qualquer centro de assistência autorizado da Black & Decker, acompanhada de um comprovativo da sua compra.
- A máquina tenha sido utilizada de acordo com a sua especificação - amadora.
- A máquina não tenha sido utilizada para usos profissionais.
- Não tenha sido tentada a sua reparação por pessoal não autorizado pela Black & Decker.

## Serviço pós-venda da Black & Decker

A Black & Decker tem à sua disposição, a nível nacional, uma rede de assistência Técnica - delegação própria, concessionários e reparadores autorizados - cujo objectivo é prestar-lhe um serviço excelente e reparações rápidas, onde poderá,

também, encontrar os acessórios e peças necessárias para que possa usufruir de todas as potencialidades da sua máquina.

Peças ou acessórios não genuínos Black & Decker podem danificar ou reduzir as capacidades da sua máquina e pôr em perigo a sua utilização. A garantia da máquina pode ser afectada em tais circunstâncias.

## A nossa política de assistência pós-venda

É objectivo da Black & Decker que os seus clientes estejam totalmente satisfeitos, quer com os seus produtos quer com o seu serviço pós-venda.

Para tanto não hesite em contactar o centro de assistência mais próximo da sua área sempre que entender necessário.

### EC Declaração de Conformidade

Declaramos que os produtos:

**GL200, GL300, GL320, GL325, GL330, GL335, GL555, GL565, ST20, ST22, ST23, ST25, ST32**

estão em conformidade com:

89/392/EEC, 89/336/EEC, EN60335,  
EN55014, EN55104, 72/23/EEC

Pressão sonora 108dB (A)

Potência sonora 95dB (A)

Vibração <2.5m/s<sup>2</sup>



Brian Cooke

Engenheiro Responsável

Spennymoor, County Durham DL16 6JG  
United Kingdom

# Μηχανή Φινιρίσματος Χόρτου GL200/GL300


## Οδηγίες χρήσεως

Συγχαρητήρια με την ευκαιρία που αγοράσατε την μηχανή φινιρίσματος χόρτου σας από την Black & Decker. Η μηχανή αυτή έχει τα ακόλουθα χαρακτηριστικά για το δικό σας όφελος:

- Ελαφρό αμάξωμα για ευκολία και κινητικότητα.
- Προφυλακτήρα διακόπτη για την παρεμπόδιση τυχαίου ξεκινήματος.
- Δυναμικό κινητήρα για να λειτουργεί στις πλείστες συνθήκες.
- Ισχυρό φυλακτήρα για ασφάλεια.

**Προσοχή:** Παρακαλείσθε όπως διαβάσετε όλες τις οδηγίες πριν χρησιμοποιήσετε αυτό το προϊόν.

### Γνωρίστε τη μηχανή σας

 Διαβάστε προσεκτικά ολόκληρο τον οδηγό προσέχοντας όλες τις συστάσεις-οδηγίες ασφάλειας πριν, κατά τη διάρκεια και μετά από τη χρήση και διατηρείτε τη μηχανή σας σε καλή κατάσταση.

Γνωρίστε τα όργανα ελέγχου της μηχανής σας προτού δοκιμάσετε να την χρησιμοποιήσετε, αλλά, πάνω απ' όλα, βεβαιωθείτε ότι γνωρίζετε πώς να σταματήσετε τη μηχανή σας σε περίπτωση εκτάκτου ανάγκης.

Κρατήστε αυτό τον οδηγό και όλα τα άλλα φυλλάδια που σας παρέχονται μαζί με τη μηχανή σας, για μελλοντικές συμβουλές.

### Περιγραφή

Πιο κάτω δίνουμε κατάλογο των ανταλλακτικών που θα αναφέρονται σ' αυτό το φυλλάδιο οδηγιών και φαίνονται στα σχετικά διαγράμματα:

1. Αμάξωμα
2. Διακόπτης
3. Διακόπτης ασφαλείας
4. Αεραγωγός
5. Νάυλον κορδόνι
6. Προφυλακτήρας
7. Λεπίδα κοπής κορδονιού
8. θήκη πηνίου

9. Τετράγωνο
10. Βέλος
11. Υποδοχή
12. Εσοχή
13. Στήριγμα ελάσματος
14. Πηνίο
15. Τρύπα βίδας προφυλακτήρα
16. Εσοχή πηνίου
17. Εσωτερικό κάλυμα
18. Εσοχή

### Οδηγίες ασφάλειας

Γνωρίστε τη μηχανή σας. Διαβάστε προσεκτικά τις οδηγίες. Γνωρίστε τον έλεγχο και τη κανονική χρήση του εφοδίου.

#### Ηλεκτρικές συνδέσεις

- Η μηχανή σας είναι σχεδιασμένη για χρήση σε ρευματοδότες εναλλασσόμενου ρεύματος μόνο - μη δοκιμάσετε να χρησιμοποιήσετε άλλο σύστημα ρεύματος και βεβαιωθείτε ότι η μηχανή σας είναι συνδεδεμένη με τον ορθό ρευματοδότη. Το βολτάζι γι' αυτή τη μηχανή δίνεται στην πλάκα αναλογιών.
- Τοποθετήστε τη μηχανή σας στο σημείο ηλεκτρικής παροχής - ποτέ μέσα σε αναμμένη πρίζα.
- Μην αφήνετε τη μηχανή σας απαρακολούθητη ενώ την συνδέετε στην ηλεκτρική παροχή.
- Πάντοτε να σβήνετε και να αφαιρείτε την πρίζα από τον αγωγό ρεύματος πριν από το καθάρισμα, την επίβλεψη ή τη ρύθμιση οποιουδήποτε μέρους της μηχανής κοψίματος, ή αν το καλώδιο αγωγού έχει πάθει βλάβη ή έχει εμπλακεί.



#### Καλώδιο αγωγού ρεύματος

- Το καλώδιο παροχής ρεύματος πρέπει να εξετάζεται ταχτικά για τυχόν σημάδια βλάβης ή παλιώματος, και να χρησιμοποιείται μόνον όταν είναι σε καλή κατάσταση.

- Να διατηρείτε πάντοτε το καλώδιο παροχής ρεύματος μακριά από τη γραμμή νάυλον - να προσέχετε τη θέση του πάντοτε.
- Ποτέ μη μεταφέρετε τη μηχανή σας από το καλώδιο ή να σηκώνετε το καλώδιο για να χωρίζετε τους συνδετήρες. Διατηρείτε το καλώδιο μακριά από πηγές φωτιάς, από λάδια ή κοφτερά αντικείμενα. Εξετάστε την κατάσταση του καλώδιου σας πριν από τη χρήση και μην την χρησιμοποιείτε αν έπαθε βλάβη.

### Γραμμή νάυλον (Κορδόνι)

- Προσέχετε από τυχόν ατύχημα από τη λεπίδα κοψίματος και από τυχόν γραμμή πρόσβασης που μπορεί να είναι κομμένη όταν πρωτο-λειτουργήσει η μηχανή κοψίματος.
- Η γραμμή νάυλον θα συνεχίσει να λειτουργεί για λίγο μετά από την αποδέσμευση του μοχλού του διακόπτη. Ποτέ να μη δοκιμάζετε να σταματήσετε τη γραμμή νάυλον - παντοτε να της επιτρέπετε να σταματά μόνη της.
- Ποτέ να μην τοποθετείτε μεταλλική γραμμή κοπής.



### Ρουχισμός

- Για να προστατεύετε τα πόδια σας, πάντοτε να φορείτε σκληρά παπούτσια ή μπότες - το φρεσκοκομμένο γρασίδι είναι μουσκεμένο και ολισθηρό.
- Μη λειτουργείτε τη μηχανή σας όταν είστε ξυπόλυτοι ή αν φοράτε ανοικτά σανδάλια.
- Να φοράτε μακριά παντελόνια για την προστασία των ποδιών σας - τυχόν συντρίμια που παρέμειναν στο γρασίδι ή στη γραμμή κοπής μπορεί να συλλεχθούν και να εξφενδονιστούν από τη γραμμή νάυλον.



- Πάντοτε να φοράτε προστατευτικά γυαλιά όταν χρησιμοποιείτε το εφόδιο.

### Χρησιμοποιώντας τη μηχανή σας

- Πάντοτε να χρησιμοποιείτε τη μηχανή σας με τον τρόπο που περιγράφεται στον οδηγό. Η μηχανή σας είναι σχεδιασμένη να χρησιμοποιείται σε όρθια θέση και αν χρησιμοποιείται με άλλο τρόπο μπορεί να προκαλέσει ατύχημα.

- Προτού χρησιμοποιήσετε τη μηχανή σας, αποσυνδέστε την από το ρευματοδότη και εξετάστε προσεκτικά τα περιστρεφόμενα μέρη για τυχόν βλάβες. Επίσης ελέγξτε ότι η συναρμολόγηση του πηνιού είναι ασφαλής.
- Πάντοτε να ελέγχετε ότι το γρασίδι ή η γραμμή κοπής είναι καθαρά από ξύλα, πέτρες, καλώδια και συντρίμια. Η επαφή με τέτοια συντρίμια μπορούν να προκαλέσουν βλάβη στη μηχανή.
- Να διατηρείτε τη μηχανή σας μακριά από τα πόδια σας και άλλα μέλη του σώματός σας όταν ανάβετε τη μηχανή και κατά τη λειτουργία της μηχανής σας.
- Μην ανάβετε τη μηχανή όταν βρίσκεται ανάποδα.
- Να περπατάτε και ποτέ να μην τρέχετε με τη συσκευή σας.
- Μη χρησιμοποιείτε τη μηχανή σας κάτω από τη βροχή και μην την αφήνετε να βραχεί.
- Χρησιμοποιείτε τη μηχανή μόνο την ημέρα ή με καλό τεχνητό φως.
- Μη περνάτε από λιθόστρωτα μονοπάτια ή δρόμους ενώ περιστρέφεται η γραμμή νάυλον.
- Πάντοτε να βεβαιώνετε όταν στέκεστε σε κατηφόρες.
- Να κόβετε κατά μήκος των κατήφορων, και ποτέ πάνω και κάτω.
- Μην κόβετε σε υπερβολικά βαθιές κατηφόρες.



### Η ασφάλεια των άλλων

- Ποτέ μην αφήνετε παιδιά ή πρόσωπα που δεν γνωρίζουν τον τύπο της μηχανής να την χρησιμοποιούν ή σε κανένα άλλο πρόσωπο που δεν διάβασε το φυλλάδιο αυτό.
- Μην αφήνετε παιδιά, ζώα ή άλλους ενήλικες κοντά στη μηχανή σας όταν λειτουργεί - πάντοτε να τους κρατείτε μακριά από το χώρο κοπής.



### Φροντίδα της μηχανής σας

- Αποθηκεύετε τη μηχανή σας σε ξηρό χώρο όταν δεν την χρησιμοποιείτε, και μακριά από παιδιά.
- Μη χρησιμοποιείτε διαλύματα ή άλλα υγρά καθαρισμού για να καθαρίζετε τη μηχανή σας -



χρησιμοποιείτε σκούπα για την αφαίρεση του γρασιδιού και των ακαθαρσιών. Πάντοτε να την αποσυνδέετε από το ρευματοδότη και να βεβαιώνετε ότι η γραμμή είναι σταματημένη πριν από το καθάρισμα.

- Μη λειτουργείτε τη μηχανή σας αν μερικά εξαρτήματά της είναι ελαττωματικά. Αφαιρέστε τυχόν ελαττωματικά μέρη και ρυθμίστε νέα εξαρτήματα πριν από την χρήση.
- Ποτέ μην χρησιμοποιείτε τη μηχανή με κατα στραμμένο προφυλακτήρα ή αν ο προφυλακτήρας της μηχανής δεν βρίσκεται στη θέση του.
- Μη δοκιμάζετε να αφαιρείτε τυχόν μέρη εκτός εκείνων που αναφέρονται σ αυτές τις οδηγίες.
- Χρησιμοποιείτε μόνο συστημένα ανταλλακτικά μέρη και συναρμολογήσεις της Black & Decker.

## Διπλή μόνωση



Η μηχανή σας έχει διπλή μόνωση. Αυτό σημαίνει ότι όλα τα εξωτερικά μεταλλικά μέρη έχουν ηλεκτρική μόνωση από την πηγή τροφοδότησης. Αυτό επιτυγχάνεται τοποθετώντας ένα πρόσθετο φραγμό μόνωσης μεταξύ των ηλεκτρικών και μηχανικών μερών. Διπλή μόνωση σημαίνει μεγαλύτερη ηλεκτρική ασφάλεια και αποφεύγει την ανάγκη γείωσης της μηχανής.

Η πολιτική της Black & Decker είναι πολιτική συνεχούς βελτίωσης του προϊόντος της και, σαν τέτοια, διατηρεί το δικαίωμα να αλλάξει τις προδιαγραφές του προϊόντος χωρίς προηγούμενη ειδοποίηση.

## Προετοιμάζοντας τη μηχανή για χρήση (Εικόνες Β - Ε)

- Βγάλτε τη μηχανή καθαρίσματος και τον προφυλακτήρα από το κιβώτιο.
  - Αφαιρέστε τη βίδα προφυλακτήρα που βρίσκεται στη βάση του αμαξώματος της μηχανής.
- B**
- Τοποθετήστε τον προφυλακτήρα πάνω από τη θήκη του πηνίου στη μηχανή, φροντίζοντας έτσι που η γραμμή να μην κολλά μεταξύ των δύο σημείων.

**C**

- Ευθυγραμμίστε το τετραγωνικό σημάδι στον προφυλακτήρα με το τετραγωνικό σημάδι στο αμάξωμα της μηχανής καθαρίσματος. Τώρα γυρίστε τον προφυλακτήρα στην κατεύθυνση που δίνει το τόξο.

**D**

- Ο προφυλακτήρας είναι ασφαλής όταν οι ράχες στον προφυλακτήρα έχουν εφαρμοσθεί στις οπές εισόδου στο αμάξωμα (σώμα) της μηχανής, και η σούστα δακτύλου έχει τοποθετηθεί.

- Όταν ο προφυλακτήρας βρίσκεται στη θέση του, αντικαταστήστε τη βίδα του προφυλακτήρα που πηγαίνει μέσω της οπής βίδας του προφυλακτήρα μέσα στο κούφωμα της βίδας στο αμάξωμα της μηχανής.

- Στη μεταβίβαση, το τέλος της γραμμής κοπής επικολλάται στην πλευρά του καλύμματος του πηνίου. Παρακαλώ ξεκολλήστε την ταινία και αποδεσμεύσατε το μήκος της γραμμής. Θα υπάρχει ελάχιστη γραμμή νάυλον 9 εκ. για να εξέχει από τη θήκη του πηνίου προτού χρησιμοποιήσετε τη μηχανή σας.

**Σημείωση:** Όταν η μηχανή σας λειτουργήσει για πρώτη φορά, οποιαδήποτε υπερβολική γραμμή θα αποκοπεί από τη λεπίδα που βρίσκεται στον προφυλακτήρα. Το ίδιο ισχύει και για οποιαδήποτε μελλοντική ρύθμιση γραμμής. Λόγω του ότι η αποκοπή από τη λεπίδα κοψίματος στον προφυλακτήρα μπορεί να αποβάλλεται, είναι σημαντικό όπως η ποσότητα υπερβολικής γραμμής διατηρείται στο ελάχιστο. Όταν μια υπερβολική ποσότητα γραμμής τραβιέται προς τα έξω, η γραμμή πρέπει να αποκόπτεται στα έξω του προφυλακτήρα προτού ανάψετε τη μηχανή σας.

- Πάντα να βεβαιώνετε όπως το κάλυμμα του πηνίου είναι ασφαλισμένο πριν και μετά από τη χρήση.

**E**

- Η συσκευή έχει σχεδιασθεί έτσι που να μπορεί να ρυθμίζεται ένα πρόσθετο βοηθητικό χερούλι. Κι αυτό για να μπορείτε να τη

ρυθμίζετε στη θέση που είναι για σας η πιο βολική. Για να το κάνετε αυτό, χαλαρώστε το κουμπί σύσφιξης και κινήστε το χερούλι στο σωληνάριο μέχρι που να βρεθεί η πιο βολική θέση. Τώρα ξανασφίξτε το κουμπί σύσφιξης μέχρι που το χερούλι να είναι ασφαλισμένο. Μην σφίγγετε υπερβολικά.

## Πώς να χρησιμοποιήσετε τη μηχανή σας (Εικόνες 1 - 8)

Για να έχετε τα καλύτερα αποτελέσματα από τη μηχανή σας, παρακαλώ μάθετε τις ακόλουθες τεχνικές. Μην είστε ανυπόμονοι. Θα έχετε τα καλύτερα αποτελέσματα από την πείρα ακολουθώντας αυτούς τους απλούς κανόνες:

- 1 Μη χρησιμοποιείτε τη μηχανή σας χωρίς τον προφυλακτήρα.
- 2 Μην κόβετε μουσκεμένο γρασίδι. Έχετε καλύτερα αποτελέσματα όταν το γρασίδι είναι στεγνό.
- 3 Κόβετε γωνιακά με την άκρη της γραμμής νάυλον.
- 4 Περιστρέψετε τη μηχανή απαλά από πλευρά σε πλευρά.
- 5 Μην βαρυσφορτώνετε τη μηχανή. λειτουργεί καλύτερα σε υψηλές ταχύτητες.
- 6 Για μεγάλο γρασίδι, αρχίστε από την κορυφή.
- 7 Κάνετε μικρά κοψίματα.
- 8 Για να ανάψετε τη μηχανή σας, πατήστε το μοχλό διακόπτη. Για να σβήσετε τη συσκευή, αποδεσμεύσατε το μοχλό διακόπτη.

## Πως να τροφοδοτήσετε περισσότερη γραμμή ναυλον (Εικόνα F)

**Σημείωση:** Θα πρέπει να υπάρχει μια ελάχιστη γραμμή νάυλον των 5cm (2 ιντσών) που προεξέχει από το κάλυμμα του πηνίου προτού λειτουργήσει η χειρωνακτική μηχανή σας.

- Να κρατάτε τη θήκη του πηνίου σταθερά με το ένα χέρι και τη γραμμή νάυλον με το άλλο, κατόπιν τραβήξτε τη γραμμή νάυλον έξω από την εσοχή.

- F**
- Τραβήξτε τη γραμμή νάυλον να βγει έξω από τη θήκη του πηνίου στην κατεύθυνση του τόξου (a).
  - Συνεχίστε να τραβάτε τη γραμμή νάυλον έξω από τη θήκη του πηνίου (στην κατεύθυνση του τόξου (b) μέχρις ότου υπάρχει αρκετή γραμμή για να φτάσει στην άκρη του προφυλακτήρα, κατόπιν τραβήξτε τη γραμμή νάυλον προς τα κάτω μέσα στην επόμενη εσοχή στην θήκη του πηνίου όπως φαίνεται από το τόξο (c).

**Σημείωση:** Όταν το μηχανήμά σας λειτουργεί για πρώτη φορά, η τυχόν έξτρα γραμμή θα αποκοπεί από τη λεπίδα που βρίσκεται στον προφυλακτήρα. Αυτό επίσης είναι η περίπτωση τυχόν μετέπειτα ρύθμισης γραμμής. Λόγω του ότι η εκτομή από τη λεπίδα χαπιαρίσματος στον προφυλακτήρα μπορεί να αποβληθεί, είναι σημαντικό όπως η ποσότητα της έξτρα γραμμής διατηρηθεί στο ελάχιστο. Στην περίπτωση κατά την οποία υπερβολική ποσότητα γραμμής βγαίνει έξω, η γραμμή θα πρέπει να αποκοπεί πίσω στο εξωτερικό μέρος του προφυλακτήρα προτού ανάψετε τον χαπιαριστή σας.

- Το μηχανήμα τροφοδοσίας με το χέρι τώρα είναι έτοιμο για λειτουργία.

## Πως να εφαρμόσετε νέο πηνίο (Εικόνα G)

- Αφαιρέστε το πηνίο και το εσωτερικό κάλυμμα ωθώντας το προς τα κάτω και στρίβοντας το αριστερόστροφα στην κατεύθυνση του τόξου (b).

Εφαρμόστε ένα νέο, πλήρες πηνίο όπως περιγράφεται στο μέρος “Για να συναρμολογήσετε το πηνίο”. Εναλλακτικά, εφαρμόστε νέα γραμμή νάυλον στο άδειο πηνίο όπως ακολούθως:

- G**
- Τοποθετήστε το ένα άκρο της γραμμής νάυλον σε μια από τις αυλακώσεις στο πηνίο και τυλίξτε τη γραμμή επάνω στο πηνίο στην κατεύθυνση του τόξου (αριστερόστροφα) μέχρις ότου γεμίσει.
  - Εφαρμόστε το εσωτερικό κάλυμμα επάνω στο πηνίο και εφαρμόστε το πηνίο επάνω στο μηχανήμά σας όπως περιγράφεται στην παράγραφο “Για να συναρμολογήσετε το πηνίο”.

## Φροντίδα και συντήρηση

- Για καλύτερα αποτελέσματα, παρακαλώ διατηρείτε καθαρά, τη γραμμή νάυλον, το πηνίο και τις οπές εισόδου αέρα στο αμάξωμα της μηχανής σας. Χρησιμοποιείτε στεγνή βούρτσα ή ύφασμα για την αφαίρεση γρασιδιού, χυμούς ή άλλης ακαθαρσίας.
- Τα πλαστικά μέρη μπορούν να καθαρίζονται χρησιμοποιώντας μαλακό σαπούνι και βρεγμένο ύφασμα με ζεστό νερό. Μη χρησιμοποιείτε πλαστικά μέσα. Μην βρέχετε τη μηχανή με νερό.
- Σ' αυτό το εργαλείο, χρησιμοποιούνται αυτολίπαντα κουζινέτα και γιαυτό δεν χρειάζονται λιπαντικά.

## Γραμμή αντικατάστασης

Μπορείτε ν' αγοράσετε ένα νέο πηνίο που έχει 10 μέτρα γραμμής νάυλον (Αρ. Κατηγορίας Α6480) από τον αντιπρόσωπο της Black & Decker. Εναλλακτικά, διατίθενται πακέτα αντικατάστασης γραμμής που περιέχουν είτε 15μ. γραμμής (Αρ. Κατηγορίας Α6062), 30μ. (Αρ. Κατηγορίας Α6046) ή 50μ. (αρ. Κατηγορίας Α6054).

Για μέγιστη αξιοπιστία, ποτέ μην εφαρμόζετε βαρύτερη ή ελαφρότερη γραμμή (π.χ. γραμμή ψαρέματος) που μπορεί να προκαλέσει βλάβη στο μοτέρ ή να μειώσει την απόδοση κοψίματος.

## Ανίχνευση λαθών

Προτού ελέγξετε τη μηχανή σας για τυχόν λάθη, αποσυνδέστε την από τον αγωγό ηλεκτρισμού.

- Αν η μηχανή δεν ξεκινά, ελέγξατε κατά πόσον όλα τα καλώδια είναι κανονικά εφαρμοσμένα. Κι αν πάλι δεν λειτουργεί, ελέγξατε τα σημεία ηλεκτρικής παροχής και μετά την ασφάλεια και τη συνδεοσμολόγηση στην πρίζα επέκτασης καλωδίου και στον θηλυκό συνδετήρα.
- Αν η μηχανή δονείται, αφαιρέστε το κάλυμμα του πηνίου και το πηνίο, μετά ξαναπεριστρέψατε τη γραμμή νάυλον, σφίχτά και σωστά, δηλ. να μην διασταυρώνεται και να επικολάται στην πλευρά του πηνίου.
- Αν η παροχή της αυτόματης γραμμής παραλείψει να λειτουργήσει, θα πρέπει να είναι ένας από τους εξής λόγους:

### Η γραμμή είναι πολύ κοντή

Αφαιρέστε το κάλυμμα του πηνίου και το πηνίο, μετά δώστε περισσότερη γραμμή όπως έχει περιγραφεί προηγουμένως κάτω από την επικεφαλίδα 'Πώς να Εφαρμόσετε Νέα Γραμμή Πηνίου', εξασφαλίζοντας ότι υπάρχει ελάχιστη προεξοχή 9 εκ. από τη θήκη του πηνίου.

### Η γραμμή έσπασε μέσα στη θήκη του πηνίου

Αφαιρέστε το κάλυμμα του πηνίου και το πηνίο, και δώστε περισσότερη γραμμή όπως περιγράφεται προηγουμένως.

### Η γραμμή έχει πάθει εμπλοκή μέσα στη θήκη του πηνίου

Αφαιρέστε το κάλυμμα του πηνίου και το πηνίο, και μετά ξανατυλίξατε κανονικά τη γραμμή για να αφαιρεθούν τα διασταυρωμένα πηνία.

### Το πηνίο υπέστη εμπλοκή

Αφαιρέστε το κάλυμμα του πηνίου, και αφαιρέστε τυχόν ακαθαρσία ή γρασίδι που μπορεί να συσσωρεύθηκαν μέσα στο κάλυμμα και στη θήκη του πηνίου. Προτού αντικαταστήσετε το πηνίο, βεβαιωθείτε ότι περιέχει την ορθή ποσότητα γραμμής (10 μέτρα το πιο πολύ) και ότι είναι τυλιγμένο κανονικά.

## Τί κάνετε όταν η μηχανή σας χρειασθεί επιδιόρθωση

Πληροφορίες για το πώς και πού να στείλετε τη μηχανή σας για επιδιόρθωση δίνονται στην κάρτα εγγύησης. Σας συστήνουμε να φυλάγετε αυτή την κάρτα σε ασφαλές μέρος.

## Άλλα προϊόντα της Black & Decker

Η Black & Decker έχει μια πλήρη σειρά ηλεκτρικών εξωτερικών εργαλείων που κάνουν τη ζωή στον κήπο πιο άνετη. Αν χρειάζεστε περισσότερες πληροφορίες για τα ακόλουθα προϊόντα παρακαλώ επικοινωνήστε με το Κέντρο Υπηρεσίας Πληροφοριών της Black & Decker που δίνεται στο πίσω εξώφυλλο, ή επικοινωνήστε με τον δικό σας πωλητή της Black & Decker.

Ύλοκοπτικές	Αλυσοπρίονα
Φινιρίσματος Ύορτου	Αποροφήρες φύλλων
Καθαρισμός χόρτου	Σπαστήρες κλαδιών
Κλαδευτήρια θάμνων	

## Δήλωση Συμμόρφωσης της ΕΚ

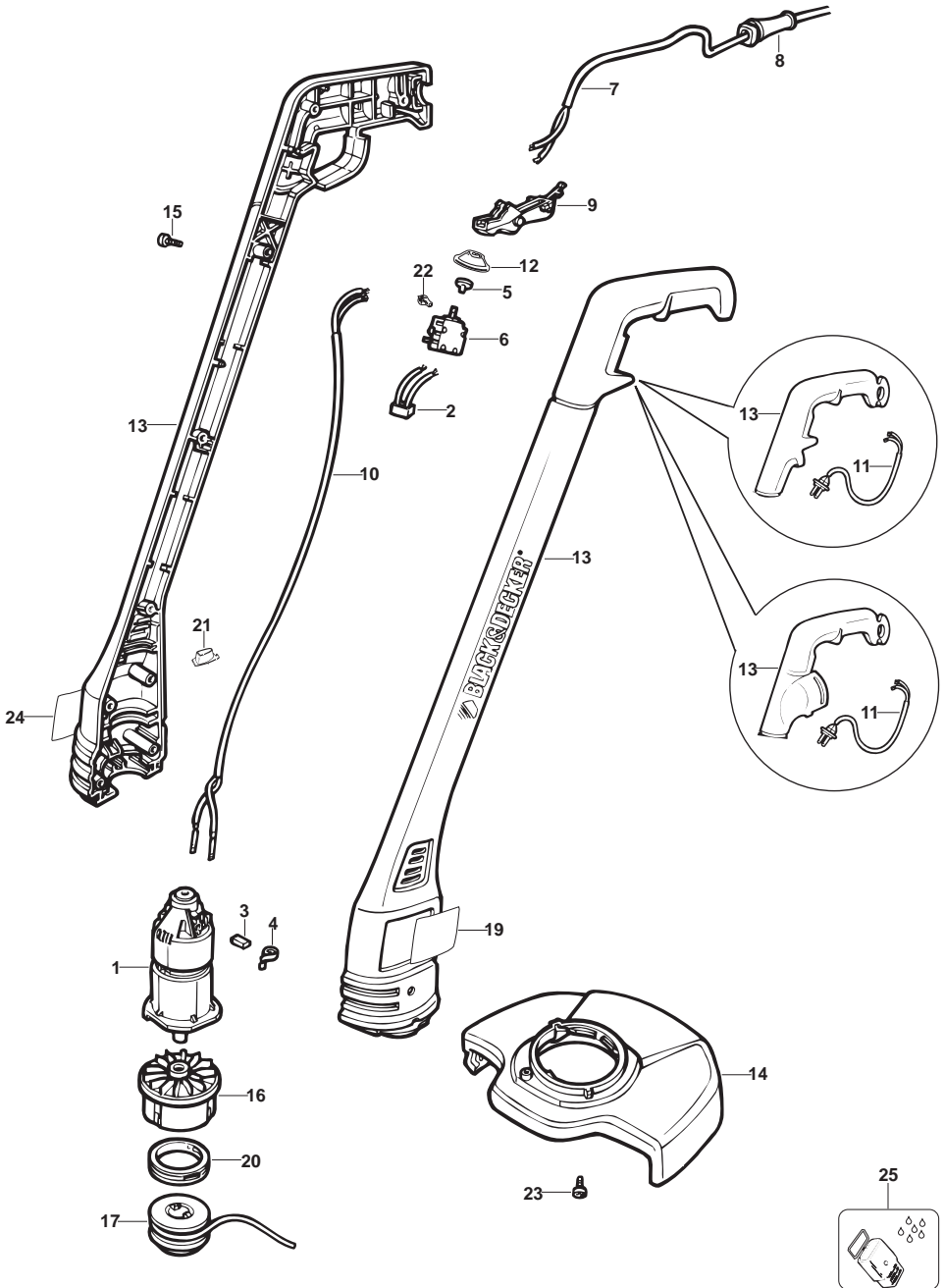
Υπεύθυνα δηλώνουμε ότι οι συσκευές:  
**GL200, GL300, GL320, GL325, GL330, GL335,  
GL555, GL565, ST20, ST22, ST23, ST25, ST32**  
συμμορφούνται προς τις διατάξεις  
89/392/EEC, 89/336/EEC, EN60335,  
EN55014, EN55104, 73/23/EEC

Για καταμετρημένη πίεση ήχου 108dB (A)  
Για καταμετρημένη ισχύς ήχου 95dB (A)  
Καταμέτρηση δόνησης χειριού/βραχίονα  
<2.5μ/S<sup>2</sup>



Brian Cooke

Διευθυντής Μηχανολογίας  
Spennymoor, County Durham DL16 6JG, HB



<b>Australia</b>	Black & Decker (A'asia) Pty Ltd 286-288 Maroondah Highway, North Croydon, Victoria 3136	Tel: 03 9213 8200 Fax: 03 9726 7150
<b>Belgique/België</b>	Black & Decker Belgium NV Weihoek 1, 1930 Zaventem	Tel: 02 719 07 11 Fax: 02 721 40 45
<b>Danmark</b>	Black & Decker Hejrevang 26 B, 3450 Allerød	Tlf: 70-20 15 10 Fax: 48-14 13 99
<b>Deutschland</b>	Black & Decker GmbH Black & Decker Straße 40, 65510 Idstein	Tel: 06126 210 Fax: 06126 212435
<b>Ελλάς</b>	<b>Black &amp; Decker (Ελλάς) ΑΕ</b> Λεωφ. Συγγρού 154 Αθήνα 176 71	Τηλ: 01 9242870-75 Service: 01 9242876-7 Fax: 01 9242869
<b>España</b>	Black & Decker de España SA Ctra. de Acceso a Roda de Bará, km 0,7 43883-Roda de Bará, Tarragona	Tel: 977 297100 Tlx: 56631 BLADE E Fax: 977 299139
<b>France</b>	Black & Decker (France) Sarl Le Paisy 69570 Dardilly, Lyon	Tel: 04 72 20 39 20 Tlx: 300 250 Fax: 04 72 20 39 00
<b>Helvetia</b>	Black & Decker AG Elektrowerkzeuge Rütistraße 14, CH-8952 Schlieren Schweiz/Suisse	Tel: 01 730 69 33 Tlx: 54462 BDZH CH Fax: 01 730 70 67
<b>Italia</b>	Black & Decker Italia SpA Viale Elvezia 2, 20052 Monza (Mi)	Tel: 039 23 87 1 Fax: 039 23 87 59 3 Numero verde: 167 21 39 35
<b>Nederland</b>	Black & Decker (Nederland) BV Florijnstraat 10, 4879 AH Etten-Leur	Tel: 076 5082000 Fax: 076 5038184
<b>New Zealand</b>	Black & Decker 483 Great South Road, Penrose, Auckland	Tel: 09 579 7600 Fax: 09 579 8200
<b>Norge</b>	Black & Decker (Norge) A/S Strømsveien 344, 1081 Oslo	Tel: 22-90 99 00 Fax: 22-90 99 01
<b>Österreich</b>	Black & Decker Werkzeugevertriebs GmbH Erlaaerstraße 165, Postfach 69, 1230 Wien	Tel: 0222 66 116 0 Tlx: 13228 BLACK A Fax: 0222 66 116 14
<b>Portugal</b>	Black & Decker Rua Egas Moniz 173, Apartado 19 S. João do Estoril, 2768 Estoril, Codex	Tel: 468 76 13/468 75 13 Tlx: 16 607 BLADEC P Fax: 467 15 80
<b>South Africa</b>	Black & Decker South Africa (Pty) Ltd Suite no 107, PostNet X65, Halfway House 1685	Tel: 011 314 4431 Fax: 011 314 4435
<b>Suomi</b>	Black & Decker Oy Rälssitie 7 C, 01510 Vantaa Frälsevägen 7 C 01510 Vanda	Puh: 09-825 45 40 Fax: 09-825 45 444 Tel: 09-825 45 40 Fax: 09-825 45 444
<b>Sverige</b>	Black & Decker AB Box 603, 421 26 Västra Frölunda, Besöksadr. Ekonomivägen 11	Tel: 031-68 60 00 Fax: 031-68 60 08
<b>Türkiye</b>	<b>Black &amp; Decker Elektrikli Ev (Aletleri Türkiye Distribütörü):</b> Vestel Dayanıklı Tüketim, Malları Paz. A.Ş., Eski Büyükdere Cad. İETT Garajı Yanı, 80650 4. Levent - İstanbul	Tel: 0 212 2823600 (10 h) Fax: 0 212 2823307
<b>United Kingdom</b>	Black & Decker 210 Bath Road, Slough Berkshire SL1 3YD	Tel: 01753 574277 Tlx: 848317 BAND MH Fax: 01753 551155



Forhandler adresse	Διεύθυνση αντιπροσώπων
Händleradresse	
Address of dealer	Διεύθυνση αντιπροσώπων
Direction del détaillista	
Cachet du revendeur	
Indirizzo del rivenditore	
Adres van de dealer	
Forhandlerens adresse	
Morada do revendedor	
Jälleennyjään osoite	
Återförsäljarens adress	

Indköpsdato	Ημερομηνία αγοράς
Kaufdatum	
Date of purchase	Ημερομηνία αγοράς
Fecha de compra	
Date d'achat	
Data d'acquisto	
Aankoopdatum	
Innkjøpsdato	
Data de compra	
Ostöpäivä	
Inköpsdatum	

Navn/Name/Ovouna/Nombre/Nom/  
 Nome/Naam/Navn/Nome/Nimi/Namn:

Adresse/Adresse/Διεύθυνση/Address/  
 Dirección/Adresse/Indirizzo/Adres/Adresse/  
 Morada/Osoite/Address:

By/Wohnort/Πόλη/Town/Ciudad/Ville/Città/  
 Plaats/By/Localidade/Paikkakunta/By:

Postnr./Postleitzahl/Κωδικός/Postcode/  
 Code postal/Código/Codice postale/Postcode/  
 Postnr./Código postal/Postnummer/Postni.:

Er maskinen en gave?/Ist diese Maschine ein  
 Geschenk?/Η μηχανή είναι δωρό?/Is this  
 product a gift?/Ha recibido usted esta  
 herramienta como regalo?/S'agit-il d'un  
 cadeau?/Si tratta di un regalo?/Kreeg u deze

machine cadeau?/Er maskinen en gave?/  
 Recebeu esta ferramenta como presente?/  
 Onko kone lahja?/Är maskinen en gåva?

Ja/Ja/Nar/Yes/Si/Oui/Sì/Ja/Ja/Sim/  
 Kyllä/Ja  
 Ne/Neim/Oxi/No/Non/No/Nee/Nei/  
 Não/Er/Nej

Hvor meget kostede maskinen?/Was war der  
 Preis dieses Werkzeuges?/Ποιά είναι η τιμή  
 του εργαλείου αυτού?/What was the price of  
 this tool?/¿Cual fue el precio de esta  
 herramienta?/Prix payé?/Quanto ha pagato  
 questo prodotto?/Wat was de prijs van dit  
 produkt?/Hvor meget kostet maskinen?/Que  
 preço pagou por esta ferramenta?/P alonko  
 kone maksoi?/Hur mycket kostade maskinen?

Er dette din første B&D maskine?/Ist dieses  
 Werkzeug-/Είναι το εργαλείο αυτό-/Is this tool-  
 /¿Es esta herramienta que comprado-/Est-ce-/  
 Questo prodotto è-/Is deze machine-/Er dette  
 din første B&D maskin?/Esta ferramenta é-/  
 Onko tämä ensimmäinen B&D-koneesi?/  
 Är detta Din första B&D-velu?

Ja/ein Erstkauf?/η πρώτη σας αγορά?/  
 your first purchase?/la primera de  
 este tipo?/un ler achat?/il suo primo  
 acquisto?/un eerste aankoop?/Ja/la  
 sua primeira compra?/Kyllä/Ja

Ne/Erstkauf?/για αντικατάσταση?/la  
 replacement?/un reemplazo?/un  
 achat de remplacement?/una  
 sostituzione?/een vervanging?/Nei/  
 uma substituição?/Ei/Nej

Forhandler adresse/Händleradresse/Διεύθυνση  
 αντιπροσώπων/Address of dealer/Dirección del  
 detallista/Cachet du revendeur/Indirizzo del  
 rivenditore/Dealeradres/Forhandlerens  
 adresse/Morada do revendedor/Jälleennyjään  
 osoite/Återförsäljarens adress:

• Venligst sæt kryds i ruden såfremt De  
 ikke måtte ønske at modtage information  
 fra anden virksomhed end Black & Decker.

• Bitte ankreuzen, falls Sie weiteres  
 Informationsmaterial von Black & Decker  
 erhalten möchten. • Παράκληση να  
 σημειώσετε εάν δεν θέλετε να λάβετε  
 πληροφορίες άλλης εταιρείας εκτός της  
 Black & Decker. • Data protection act: Tick the  
 box if you prefer not to receive information from  
 us or others. • Señale en la casilla sino quiere  
 recibir información de otras empresas. • Si vous  
 ne souhaitez pas recevoir d'informations de la  
 part d'autres sociétés que Black & Decker,  
 cochez cette case. • Barrate la casella se non  
 desiderate ricevere informazioni da altre  
 aziende. • A.u.d.it.vakje aankruisen indien u  
 geen informatie wenst te ontvangen van andere  
 bedrijven dan Black & Decker. • Vennligst kryss  
 av dersom De ikke ønsker informasjon fra andre  
 bedrifter enn Black & Decker. • Por favor,  
 asnalare com uma cruz se desejar receber  
 informação de outras empresas, além da  
 Black & Decker. • Merkitkää rasti ruutuun, mikäli  
 ette halua vastaanottaa informaatiota muulta  
 taholta kuin Black & Deckeriltä. • Vänligen  
 kryssa för i rutan om Ni inte vill ha information  
 från andra företag än Black & Decker.

Cat. no. \_\_\_\_\_/\_\_\_\_\_

• GARANTI KORT • GARANTIEKARTE • ΚΑΡΤΑ ΕΓΓΥΗΣΗΣ • GUARANTEE CARD • TARJETA DE GARANTIA • CARTE DE GARANTIE  
• TAGLIANDO DI GARANZIA • GARANTIE-KAART • GARANTI KORT • CARTÃO DE GARANTIA • TAKUKORTTI • GARANTIBEVIS

<b>Australia</b>	Call 1900 937766 (max. call charge \$2.00 ex. tax)	<b>Nederland</b>	Florijnstraat 10, 4879 AH Etten-Leur
<b>Belgique/België</b>	Weihhoek 1, 1930 Zaventem	<b>New Zealand</b>	Call 0900 97766 (max. call charge \$2.00 ex. tax)
<b>Danmark</b>	Hejrevang 26B, 3450 Allerød	<b>Norge</b>	Strømsveien 344, 1081 Oslo
<b>Deutschland</b>	Black & Decker Str. 40, D-65510 Idstein	<b>Österreich</b>	Erlaaer Straße 165, 1231 Wien
<b>Ελλάς</b>	Black & Decker Ελλάς, Συγγρού 154, 17671 ΚΑΛΛΙΘΕΑ	<b>Portugal</b>	Rua Egas, Moniz 173, S. João do Estoril, 2768 Estoril Codex
<b>España</b>	43883 Roda de Barà (Tarragona)	<b>South Africa</b>	Black & Decker, Suite 107, PN X65, Halfway Hse, 1685
<b>France</b>	BP21, 69571 Dardilly Cedex	<b>Suomi</b>	Black & Decker Oy, Räsäsitte 7C, 01510 Vantaa
<b>Helvetia</b>	Rütistrasse 14, 8952 Schlieren, Schweiz/Suisse	<b>Sverige</b>	Box 603, 421 26 Västra Frölunda
<b>Italia</b>	Viale Elvezia 2, 20052 Monza (MI)	<b>UK &amp; Ireland</b>	PO Box 821, Slough, Berkshire, SL1 3AR



<b>Danmark</b>	Venligst klip denne del ud og send frankeret til Black & Decker i dit land.	<b>Italiano</b>	Per favore ritagliate questa parte, inseritela in una busta con francobollo e speditea subito dopo l'acquisto del prodotto all'indirizzo della Black & Decker nella vostra nazione (vedi sopra).
<b>Deutsch</b>	Bitte schneiden Sie diesen Abschnitt ab, stecken ihn in einen frankierten Umschlag und schicken ihn direkt an die Black & Decker Adresse Ihres Landes.	<b>Nederlands</b>	Knip dit gedeelte uit, zend het in een gefrankeerde, geadresseerde envelopp direct na uw aankoop naar het Black & Decker-adres in uw land (zie boven).
<b>Ελληνικά</b>	Παρακαλώ κόψτε αυτό το κομμάτι και τοποθετήστε το αμέσως μετά την αγορά του προϊόντος σας στην διεύθυνση της Black & Decker στην Ελλάδα (βλέπε πάνω).	<b>Norge</b>	Vennligst klipp ut denne delen umiddelbart etter du har pakket ut ditt produkt og legg det i en adressert konvolutt til Black & Decker (Norge) AS (se adresse over).
<b>English</b>	Please complete this section immediately after the purchase of your product and post it to the Black & Decker address in your country (above).	<b>Português</b>	Por favor, recorte esta parte, coloque-a num envelope selado e enderegado e envie-o logo após a compra do seu produto para o endereço da Black & Decker do seu país.
<b>Español</b>	Después de haber comprado su herramienta envíe usted, por favor, esta tarjeta a la central de Black & Decker en su país.	<b>Suomi</b>	Leikkaa iriti tämä osa, laita se ohjeiseen kuoreen ja postia kuori ylä olevaan pakalliseen Black & Decker osoitteeseen.
<b>Français</b>	Découpez cette partie et envoyez-la sous enveloppe timbrée à l'adresse de Black & Decker dans votre pays (voir ci-dessus), ceci immédiatement après votre achat.	<b>Sverige</b>	Var vänlig klipp ur denna del. Skriv Dit namn och adress på ett frankerat kuvert, och sänd det genast till Black & Deckers adress i Dit land (se ovan).