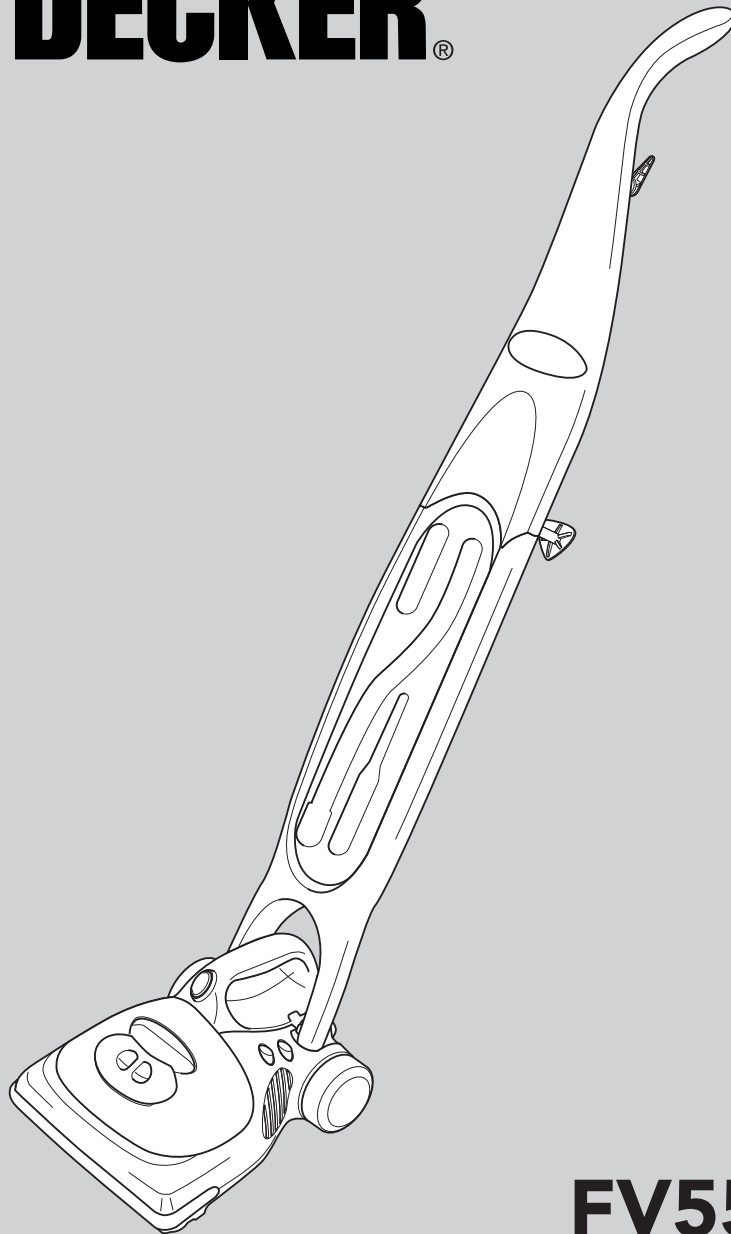




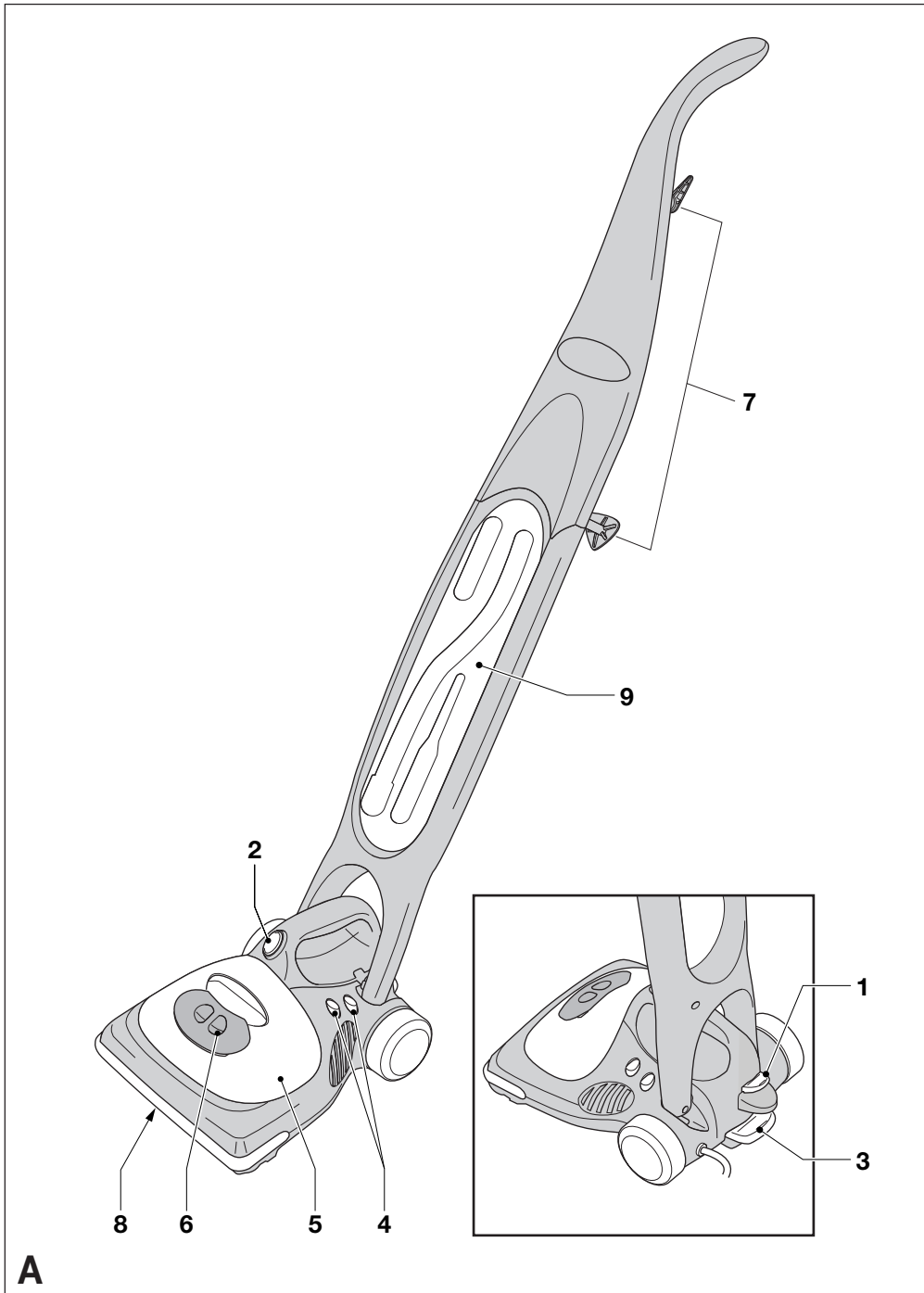
 **BLACK &
DECKER®**



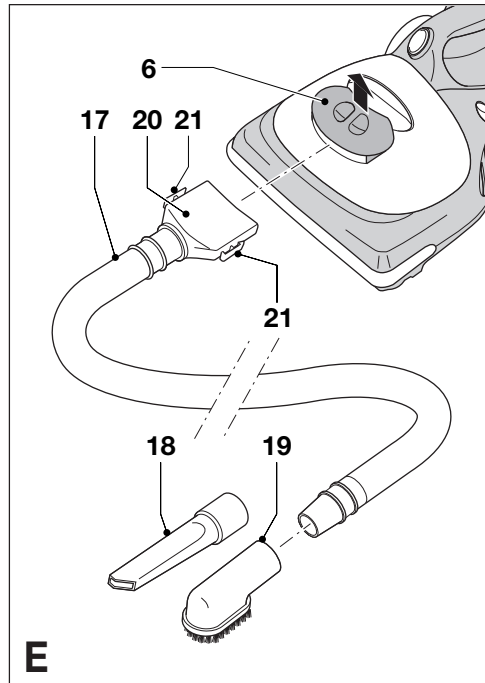
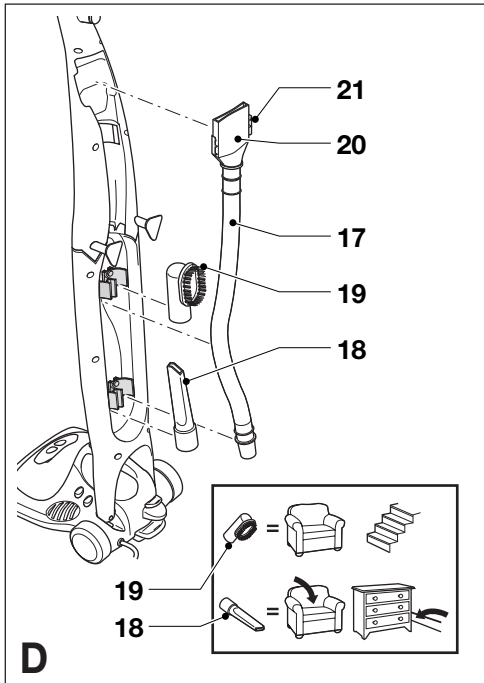
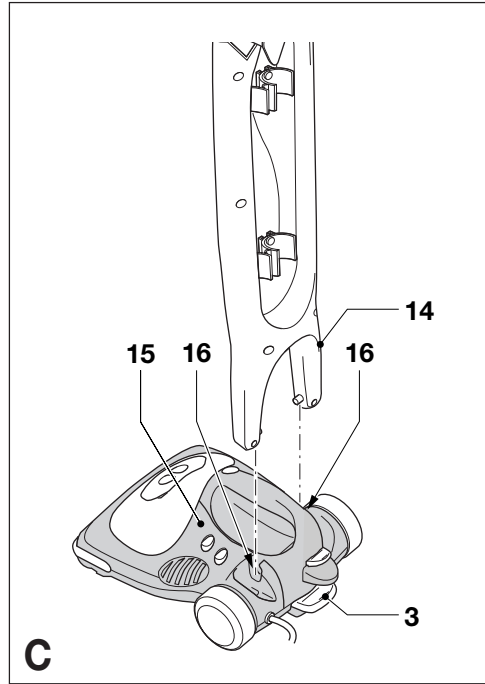
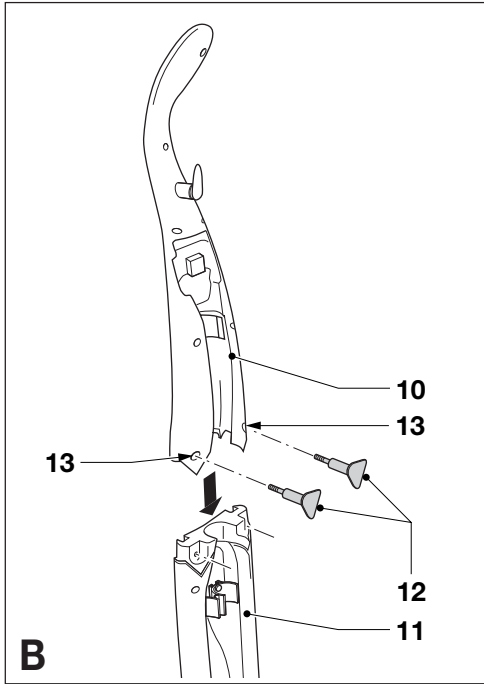
FV5501



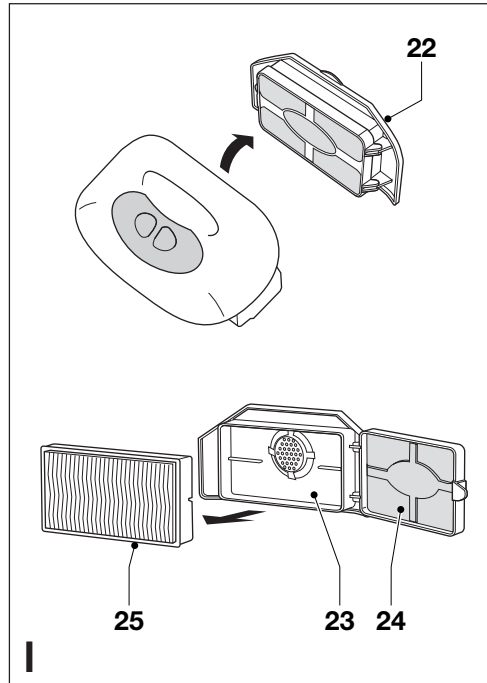
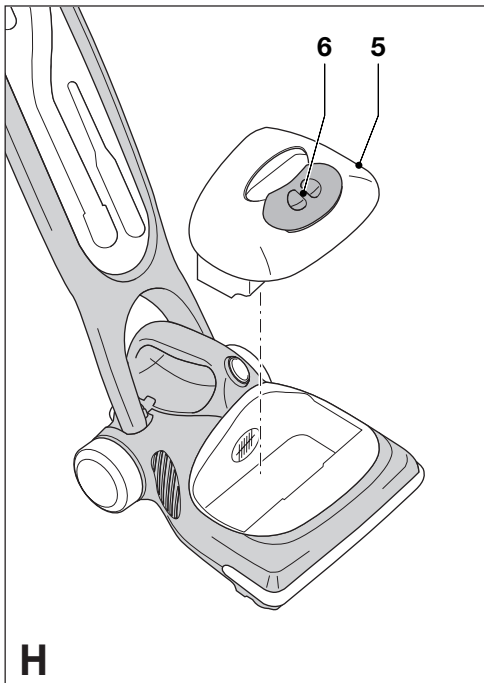
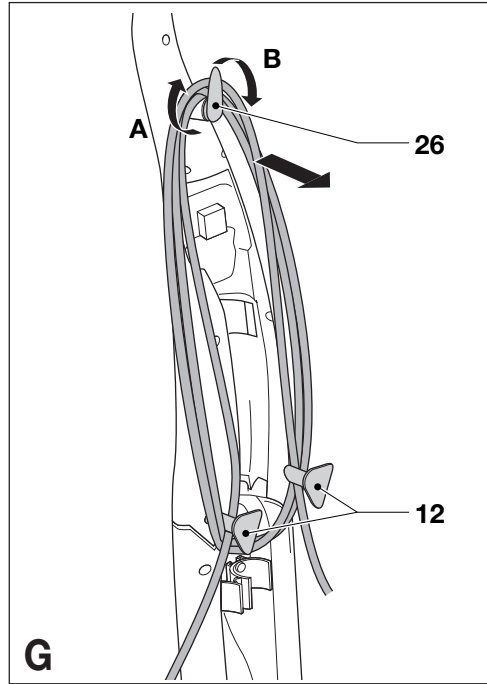
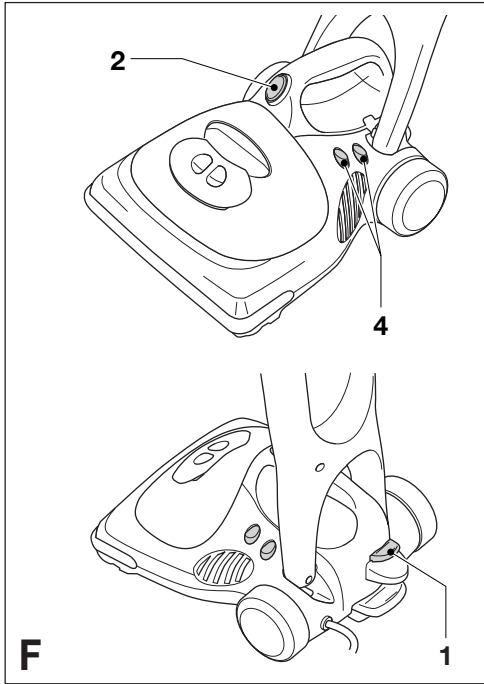
Copyright Black & Decker



3



4





ENGLISH

Dustbuster® Vac FV5501

Thank you for choosing Black & Decker. We hope that you will enjoy using this product for many years.

OVERVIEW (fig. A)

1. Foot-operated on/off switch
2. Hand-operated on/off switch
3. Handle release pedal
4. Mode indicator lights
5. Dust bowl
6. Accessory inlet cover
7. Cord storage
8. Rating plate
9. Accessory storage area

EC DECLARATION OF CONFORMITY



FV5501

Black & Decker declares that these products conform to:
 98/37/EC, 89/336/EEC, 73/23/EEC,
 EN 55014, EN 60335, EN 61000

L_{pA} (sound pressure)	dB(A)	\$1
L_{WA} (acoustic power)	dB(A)	\$2
Hand/arm weighted vibration value	m/s ²	\$3

Colin Wills
 Director of Engineering
 BDCI, 4/F, 2 Dai Wang Street
 Tai Po Industrial Estate
 Tai Po NT, Hong Kong

INTENDED USE

Your Black & Decker Dustbuster® Vac vacuum cleaner has been designed for light dry vacuum cleaning of hard floors, rugs and carpets. This product is intended for household use only.

WARNING SYMBOLS

The following symbols are used in this manual:



Denotes risk of personal injury or damage to the tool in case of non-observance of the instructions in this manual.



Denotes risk of electric shock.

IMPORTANT SAFEGUARDS

- ◆ **Warning!** When using mains-powered appliances, basic safety precautions, including the following, should always be followed to reduce the risk of fire, electric shock and personal injury.
- ◆ Read all of this manual carefully before using the appliance.
- ◆ The intended use is described in this manual. The use of any accessory or attachment or the performance of any operation with this appliance other than those recommended in this instruction manual may present a risk of personal injury.
- ◆ Retain this manual for future reference.

Using your appliance

- ◆ Do not use the appliance to pick up liquids.
- ◆ Do not use the appliance to pick up any materials that could catch fire.
- ◆ Do not use the appliance near water. Do not immerse the appliance in water.
- ◆ Keep the motor draught away from your eyes and face.
- ◆ Keep children and animals at a safe distance when using this appliance.



ENGLISH

- ◆ Make sure that the appliance is switched off before connecting to or disconnecting from the power supply.
- ◆ Always take care when using the appliance.
- ◆ Never pull the power supply cord to disconnect the plug from the socket. Keep the power supply cord away from heat, oil and sharp edges.
- ◆ Do not use the appliance outdoors.
- ◆ If the power supply cord is damaged during use, disconnect the appliance from the power supply immediately. **Do not touch the power supply cord before disconnecting from the power supply.**
- ◆ Disconnect the appliance from the power supply when not in use, before fitting or removing parts and before cleaning.

Safety of others

- ◆ Do not allow children or any person unfamiliar with these instructions to use the appliance.
- ◆ Do not allow children or animals to come near the work area or to touch the appliance or power supply cord. Close supervision is necessary when the appliance is used near children.

After use

- ◆ Switch off and remove the plug from the socket before leaving the appliance unattended and before changing, cleaning or inspecting any parts of the appliance.
- ◆ When not in use, the appliance should be stored in a dry place. Children should not have access to stored appliances.

Inspection and repairs

- ◆ Before use, check the appliance for damaged or defective parts. Check for breakage of parts, damage to switches and any other conditions that may affect its operation.
- ◆ Do not use the appliance if any part is damaged or defective.
- ◆ Have any damaged or defective parts repaired or replaced by an authorised repair agent.
- ◆ Before use, check the power supply cord for signs of damage, ageing and wear.

- ◆ Do not use the appliance if the power supply cord or mains plug is damaged or defective.
- ◆ If the power supply cord or mains plug is damaged or defective it must be repaired by an authorised repair agent in order to avoid a hazard. Do not cut the power supply cord and do not attempt to repair it yourself.
- ◆ Never attempt to remove or replace any parts other than those specified in this manual.

ELECTRICAL SAFETY

- ◆ Before use, check that the mains voltage corresponds to the voltage on the rating plate.



This appliance is double insulated in accordance with EN 60335; therefore no earth wire is required.

ASSEMBLY



Before assembly, make sure that the appliance is switched off and unplugged.

Assembling the long handle (fig. B)

- ◆ Place the upper part (10) of the handle onto the lower part (11) as shown.
- ◆ Insert the two screws (12) into the mounting holes (13).
- ◆ Tighten the screws.

Fitting and removing the long handle (fig. C)

You can use the appliance either with the long handle as an upright cleaner or without the long handle as a hand held cleaner. The upright cleaner is ideal for cleaning larger floor surfaces, whereas the hand held cleaner is for use on smaller floor surfaces, on upholstery and in confined spaces. When using the appliance as a hand held cleaner, you can also use the accessories (see below).

Fitting

- ◆ Place the motor unit (15) on the floor.
- ◆ Hold the handle (14) vertically above the mounting slots (16) as shown.
- ◆ Press the handle into the slots until it clicks into place.



ENGLISH

Removing

- ◆ Make sure that the handle (14) is vertical.
- ◆ Keep the release pedal (3) depressed.
- ◆ Pull the handle vertically out of the mounting slots.

Fitting and removing accessories (fig. D & E)

This appliance is supplied with the following accessories:

- a flexible connecting hose (17)
- a crevice tool (18) for confined spaces
- a hard brush (19) for furniture and stairs

Fitting

- ◆ Take the appropriate accessories from the appliance.
- ◆ Lift the accessory inlet cover (6) to reveal the accessory inlet.
- ◆ Insert the flat end (20) of the connecting hose into the inlet.
- ◆ Attach the other end of the hose to the accessory.

Removing


- ◆ Keep the clips (21) on the flat end of the hose depressed.
- ◆ Pull the hose out of the accessory inlet.
- ◆ Pull the accessory off the hose.
- ◆ Push the accessories into their respective holders (9) until they click into place.

USE


Switching on and off (fig. F)

The appliance can be operated using either the foot-operated on/off switch (1) or the hand-operated on/off switch (2).

Cleaning hard floors or cleaning using accessories

- ◆ Press the on/off switch once to switch the appliance on.
The mode indicator light (4) with the symbol  will light up.
- ◆ Press the on/off switch twice to switch the appliance off.

Cleaning carpets and rugs

- ◆ Press the on/off switch twice to switch the appliance and the brush roller on.
The mode indicator light (4) with the symbol  will light up.
- ◆ Press the on/off switch once to switch the appliance off.

Storing the cord (fig. G)

- ◆ Set the hook (26) to the up position (A).
- ◆ Wind the cord around the hook (26) and the two screw-in hooks (12).
To remove the cord:
- ◆ Set the hook (26) to the down position (B) to release the cord.

Emptying the dust bowl (fig. H & I)

- ◆ Make sure that the accessory inlet cover (6) is closed.
- ◆ Lift the dust bowl (5) from the appliance.
- ◆ Take the filter unit (22) off the dust bowl.
- ◆ Empty the dust bowl.
- ◆ Fit the filter unit back onto the dust bowl.
- ◆ Fit the dust bowl into the appliance. Make sure it clicks into position.

CLEANING AND MAINTENANCE



Before cleaning and maintenance, switch the appliance off and unplug it.

Cleaning

- ◆ Regularly wipe the appliance with a damp cloth. Do not use any abrasive or solvent-based cleaner. Do not immerse the appliance in water.

Cleaning the dust bowl and filters (fig. H & I)

The filters are reusable and should be cleaned regularly.

- ◆ Make sure that the accessory inlet cover (6) is closed.
- ◆ Lift the dust bowl (5) from the appliance.
- ◆ Take the filter unit (22) off the dust bowl.
- ◆ Empty the dust bowl and clean it using a soft brush or a damp cloth. Do not use any abrasive or solvent-based cleaner.



ENGLISH

- ◆ Brush any loose dust off the filter unit (22).
- ◆ Open the hard filter (24) and lift the soft filter (25) out of the filter holder (23).
- ◆ Wash the filters in warm, soapy water.
- ◆ Make sure that the dust bowl and filters are completely dry.
- ◆ Place the soft filter (25) back into the filter holder (23).
- ◆ Close the hard filter (24) and fit the filter unit (22) back onto the dust bowl.
- ◆ Fit the dust bowl into the appliance. Make sure it clicks into position.

Important! Optimum dust collection will only be achieved with clean filters and an empty dust bowl.



Never use the appliance without the filters.

Fitting new filters (fig. H & I)

The filters should be replaced every 6-9 months and whenever worn or damaged. Replacement filters are available from your Black & Decker dealer (cat. no. FVF50).

- ◆ Remove the soft filter (25) as described above.
- ◆ Place the new soft filter into the filter holder (23).
- ◆ To replace the hard filter (24), unclip it from its hinges and clip the new filter into place.
- ◆ Close the hard filter and fit the filter unit (22) back onto the dust bowl.
- ◆ Fit the dust bowl into the appliance. Make sure it clicks into position.

PROTECTING THE ENVIRONMENT



Black & Decker provides a facility for recycling Black & Decker products once they have reached the end of their working life. This service is provided free of charge. To take advantage of this service please return your product to any authorised repair agent who will collect them on our behalf.

You can check the location of your nearest authorised repair agent by contacting your local Black & Decker office at the address indicated in this manual. Alternatively, a list of authorised Black & Decker repair agents and full details of our after-sales service and contacts are available on the Internet at: www.2helpU.com.

GUARANTEE

Black & Decker is confident of the quality of its products and offers an outstanding guarantee. This guarantee statement is in addition to and in no way prejudices your statutory rights. The guarantee is valid within the territories of the Member States of the European Union and the European Free Trade Area.

If a Black & Decker product becomes defective due to faulty materials, workmanship or lack of conformity, within 24 months from the date of purchase, Black & Decker guarantees to replace defective parts, repair products subjected to fair wear and tear or replace such products to ensure minimum inconvenience to the customer unless:

- ◆ The product has been used for trade, professional or hire purposes;
- ◆ The product has been subjected to misuse or neglect;
- ◆ The product has sustained damage through foreign objects, substances or accidents;
- ◆ Repairs have been attempted by others than authorised repair agents or Black & Decker service staff.

To claim on the guarantee, you will need to submit proof of purchase to the seller or an authorised repair agent. You can check the location of your nearest authorised repair agent by contacting your local Black & Decker office at the address indicated in this manual. Alternatively, a list of authorised Black & Decker repair agents and full details of our after-sales service and contacts are available on the Internet at: www.2helpU.com.



Australia	DeWALT Industrial Power Tool Company 7 Clarice Road Box Hill, Victoria 3128	Tel. 03 9895 9200 Fax 03 9899 7465
New Zealand	Black & Decker 81 Hugo Johnson Drive Penrose, Auckland, New Zealand	Tel. 09 579 7600 Fax 09 579 8200
South Africa	Black & Decker South Africa (Pty) Ltd Physical address: 39 Commerce Crescent, Eastgate, ext. 12 Sandton, Kramerville 2148 Postal address: Postnet Suite 107, Private Bag X65 Halfway House 1685	Tel. (011) 653-1400 Fax (011) 653-1499
United Kingdom	Black & Decker 210 Bath Road Slough, Berkshire SL1 3YD	Tel. 01753 511234 Fax 01753 551155 Helpline 01753 574277



243946-00

FV5501UK.P65

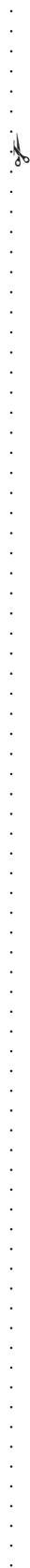
10



9/25/01, 16:38

Dealer address

Date of purchase



Name:

Address:

Town:

Postal code:

Was this tool a gift?

Yes
 No

Was this tool your first purchase?

Yes
 No

Was this tool bought as a replacement?

Yes
 No

Dealer address:

Data protection act:
 Tick the box if you prefer not to receive further information.





GUARANTEE CARD



Please complete this section immediately after the purchase of your tool and send it to Black & Decker in your country. If you live in Australia or New Zealand, please register by using the alternative guarantee card supplied.



243946-00

FV5501UK.P65

