

Home Use Warranty (A Full Two Year Warranty)

Black & Decker (U.S.) Inc. warrants this product for two years against any defects due to faulty material or workmanship. Please return the complete unit, transportation prepaid, to the seller (if a participating retailer) for free replacement (proof of purchase may be required). The unit may also be returned to a Black & Decker Service Center or Authorized Service Station listed under "Tools Electric" in the yellow pages for free replacement or repair at our option. This warranty does not apply to accessories. This warranty gives you specific legal rights and you may have other rights which vary from state to state. Should you have any questions, contact your nearest Black & Decker Service Center Manager.

Every Black & Decker tool is of the highest quality. If you wish to contact us regarding this product, please call toll free between 8:00 a.m. and 5:00 p.m. EST, Monday through Friday. 1-800-762-6672

Like most Black & Decker tools, this tool is listed by Underwriters Laboratories to ensure that it meets stringent safety requirements.

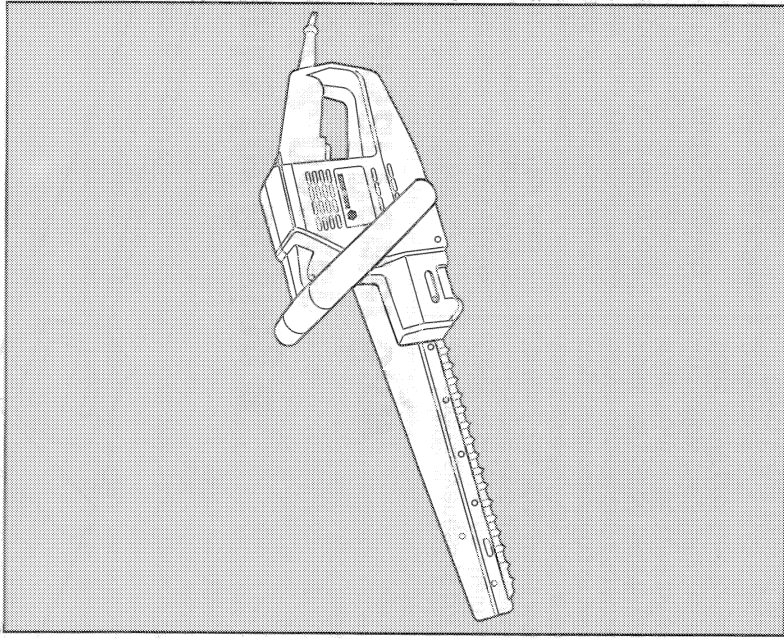
This symbol on the nameplate means the product is listed by Underwriters Laboratories, Inc.



See 'Tools-Electric'
-Yellow Pages-
for Service & Sales



BLACK & DECKER



Instruction Manual

Universal Power Saw 7553

Form No. 741919-01
324062-01
Copyright © 1991 Black & Decker
Printed in Germany
(SEP91-1)



BLACK & DECKER

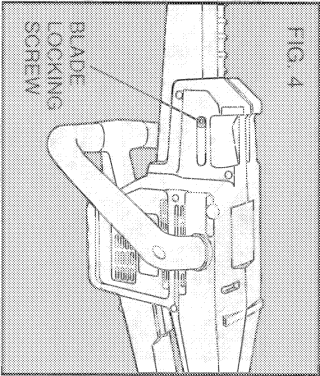
Black & Decker (U.S.) Inc., U.S. Power Tools Group, 10 North Park Drive, P.O. 798, Hunt Valley, MD 21030-0798

7553

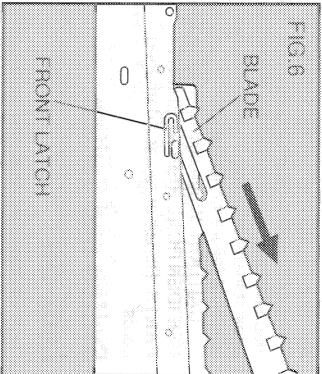
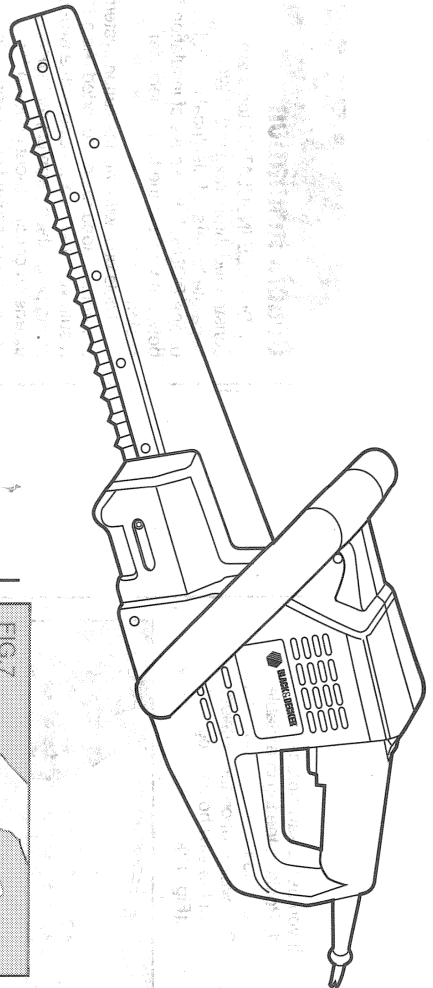
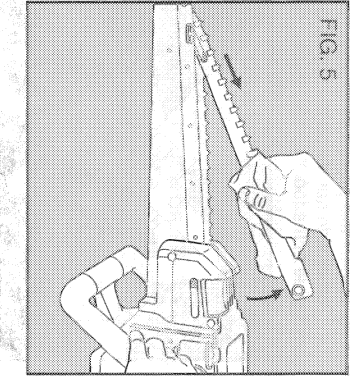
Removal and Installation of Saw Blades

To remove the saw blades: **TURN OFF AND UNPLUG THE SAW.**

1. Turn saw upside down and place on a smooth, flat surface.
2. Loosen both of the blade locking screws shown in Fig. 4 (one located on each side of the saw) using the supplied hex wrench until you feel the spring push the wrench out.

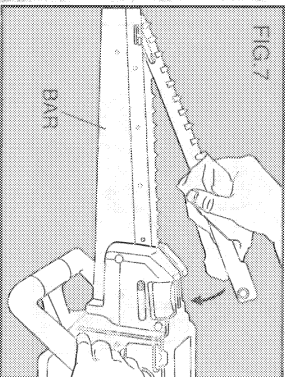


3. Using a cloth to protect your hand, lift either of the blades from the rear, as shown in Fig. 5, up and back to disengage it from the saw. (It may be a little difficult until you get the feel of it.) Once the rear of the blade is free, just pull it out of the front latch, shown in Fig. 6.

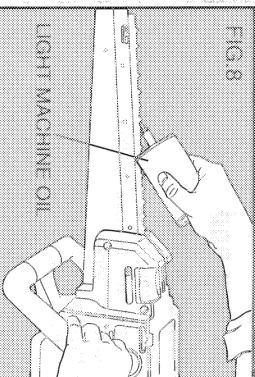


4. Repeat this procedure for the second blade.
To install the saw blades: **TURN OFF AND UNPLUG THE SAW.**

1. Examine the two blades to find that each has one flat side. **THE BLADES MUST FIT INTO THE SAW WITH THEIR FLAT SIDES AGAINST EACH OTHER.**
2. Select either blade and install it with its non-flat side to the outside, as shown in Figure 7. First hook the slot in the end of the blade into the front latch and rotate the blade down into the saw body and align the raised shoulder on the rear of the blade with the recess at the point at which the blade locking screw comes through. **NOTE:** To find this recess, insert the hex wrench into either of the blade



- locking screws and push it in and out against the spring a few times. You'll be able to see the screw move in and out. This marks the recess discussed above.
3. Put a few drops of light machine oil on the flat side of the blade you just installed. Install the other blade the same way. (The holes in the blades will not line up with each other.) **IF THE FLAT SIDES OF THE BLADES ARE NOT AGAINST EACH OTHER, YOU HAVE IMPROPERLY INSTALLED THE BLADES. DISASSEMBLE THEM AND TRY AGAIN.**



4. With both blades locked into the front latch and in their respective recesses, tighten the blade locking screws using the hex wrench provided. In order to tighten these screws you must push in on them with the wrench in order to compress the springs.

Operation

- Check thoroughly what type of saw blade is fitted to your saw and use those blades only for the materials and applications stated on page 9 in the accessories table to prolong the life of the blades and ensure maximum satisfaction.
- All nails and metal objects must be removed from the workpiece before you commence sawing.
- Clamp the workpiece on one side only. Clamping it on two sides would result in the bar with its blades being clamped in the workpiece. Should this happen, ease open the cut with wedges to relieve the strain on the blade. Do not try to wrench the saw free.
- Use only sharp, undamaged saw blades.
- The saw is not suitable for: Curve Cutting or Pocket Cutting.
- Do not saw metal, as the saw blades and the cutting system will be damaged.
- To increase the performance and lifetime of the saw blades it is recommended that oil be applied to the blades and in the oiling holes (Fig. 8 on a regular basis (every 15-30 minutes)).
- When sawing wood, the machine should be rocked backwards and forwards (Fig. 9). This will help to remove sawdust and use the saw blades to their best advantage.
- Check damaged parts. Before you use the tool it should be carefully checked to ensure that it will operate properly and perform its intended function.
- If the saw is dropped, please make